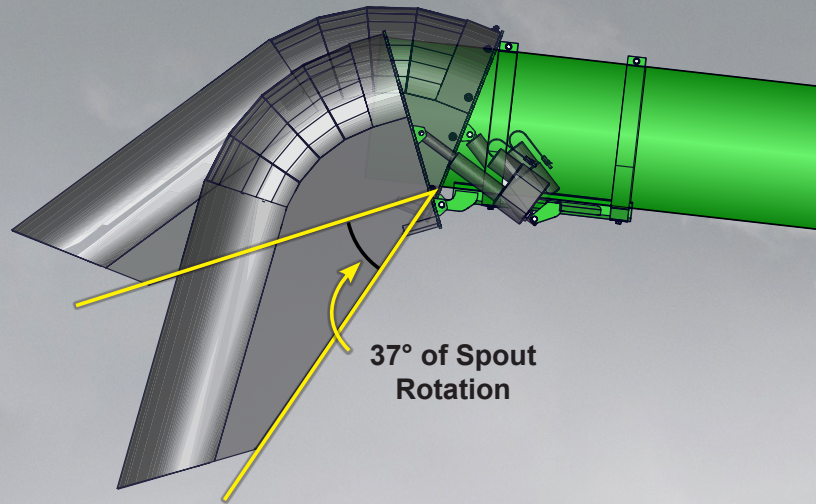


# HILCO PIVOTING SPOUT

## FOR JOHN DEERE 17" HIGH UNLOAD RATE AUGERS



- ▶ Enhanced control when topping off grain carts or trucks
- ▶ Projects grain stream further than stock spouts
- ▶ Helps with maneuverability around tall grain carts
- ▶ Controlled with a foot rocker switch
- ▶ Simple installation



800-937-2461  
[www.hillcotechnologies.com](http://www.hillcotechnologies.com)  
Nezperce, Idaho

*Hillco is a registered trademark of Hillco Technologies, Inc.*

Spout is controlled with a foot rocker switch which can be placed anywhere on the floor



Grain carts can easily be topped off without the need for the combine or grain cart to shift positions relative to each other.



Scan QR code with smart phone camera for more information



800-937-2461  
www.hillcotechnologies.com  
Nezperce, Idaho

Hillco is a registered trademark of Hillco Technologies, Inc.