

Model JH9020 Hillco Leveling System
For Serial Numbers JH9020-18001 thru JH9020-18999



Model JH9020 Hillside Leveling System Parts Manual

SN JH9020-18001 thru JH9020-18999

For John Deere S780 & S790
S Series Combines

D-180730CMA01



JH9020 Hillside Leveling System

For S780 & S790 S Series Combines

Table of Contents

General Information	3
Serial Number Location	3
Text and Illustrations	3
Abbreviations	3
Right and left Identification	3
Part Orders	3
Transition	4
Transition Throat	5
Transition Beater Drive	7
Radial Pin Slip Clutch	9
Transition Middle	10
Header Position Sensor Tilt Sensor	12
Transition Header Adapter	13
Carriage	14
Overcarriage	15
Undercarriage	17
Carriage Misc. Parts	18
Carriage Position Sensor	19
Drive Wheel	21
Drop Axle	22
Hydraulic Components	23
Leveling Manifold	24
Header Trim Manifold	26
John Deere Header Lift Manifold Fittings	28
Retractable Ladder	30
Ladder Wedge	32
Electrical	34
Controller	34
Wiring Harnesses	35
Monitor	36
Decals and Literature	37

Contact Information

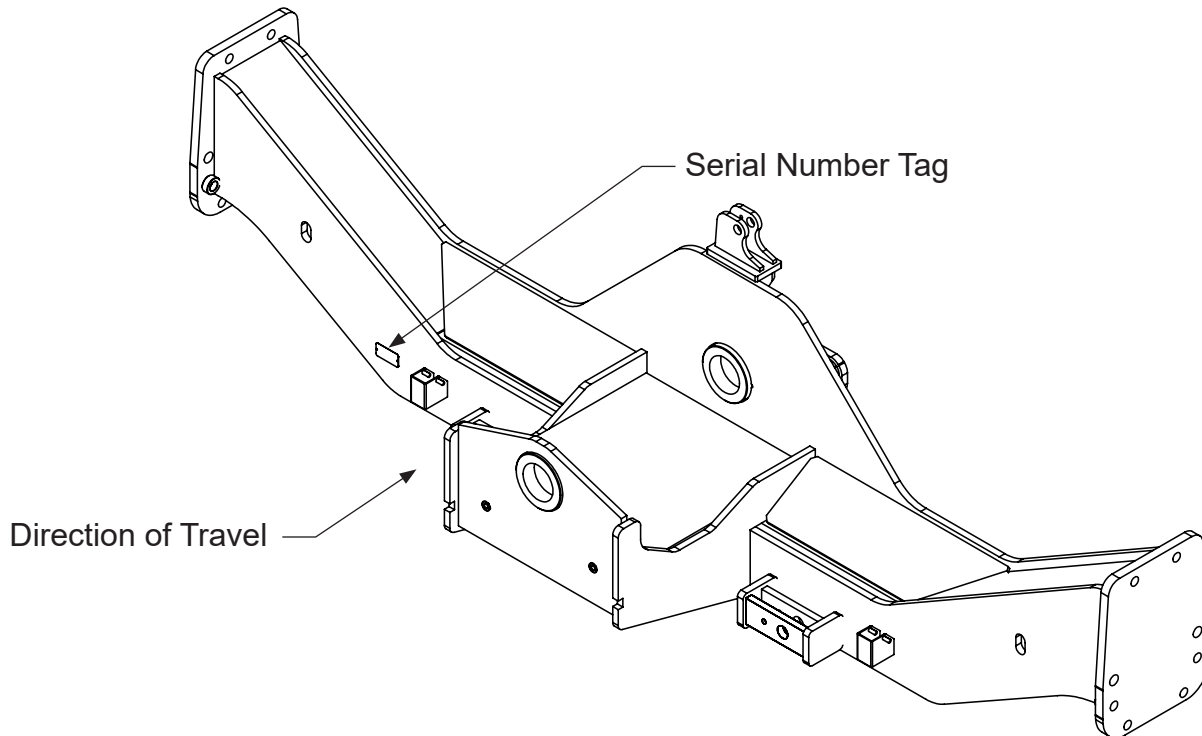
Hillco Technologies, Inc.
1010 1st Avenue
Nezperce, Idaho 83543

Phone 800-937-2461
208-937-2461
Fax 208-937-2280

www.hillcotechnologies.com
email: support@hillcotechnologies.com

GENERAL INFORMATION

SERIAL NUMBER LOCATION



TEXT AND ILLUSTRATIONS

The arrangement of this parts catalog is for easy identification of parts. All parts are illustrated in exploded views in proper relation to each other. Some diagrams refer to other pages for further information. Reference numbers used in the illustrations refer to line numbers in the part lists. The part lists appear to the right or below all diagrams and correspond with those diagrams. Included in the part lists, along with the reference numbers are part numbers, part descriptions and the quantity of the part required per leveling system.

ABBREVIATIONS

SN "Serial Number" refers to the serial number given to each leveling system (by Hillco Technologies), as well as the serial number given to the combine (by the specific combine manufacturer) the leveling system is installed. See above for the leveling system's serial number location. This abbreviation is used interchangeably in both instances. Each Model JH9010 Leveling System uses the following serial number format: JH9020-XXXXX (sequential numbers).

ASM "Assembly" refers to a whole grouping of parts (shown in the diagram corresponding with the page where "ASM" is shown unless otherwise noted). Some assemblies have parts that are sold separately, however some must be purchased as a single unit. Hillco Product Specialists will be able to assist you with any questions.

NS "Not Shown" refers to a part that is not depicted in the illustration.

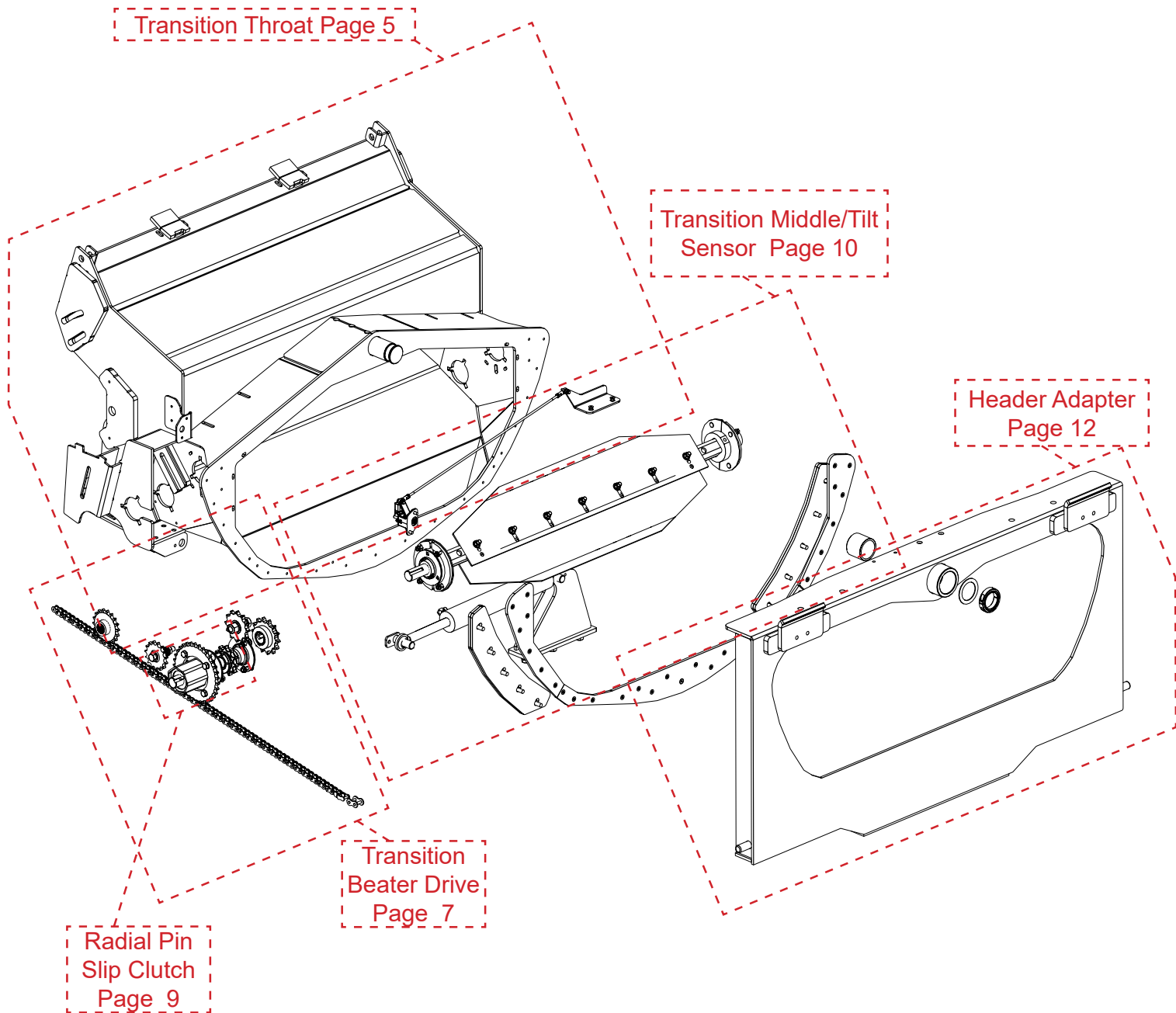
RIGHT AND LEFT IDENTIFICATION

The reference to right-hand and left-hand in this catalog is identified by the operator sitting in the operator's seat, looking toward the front of the machine (in normal forward travel).

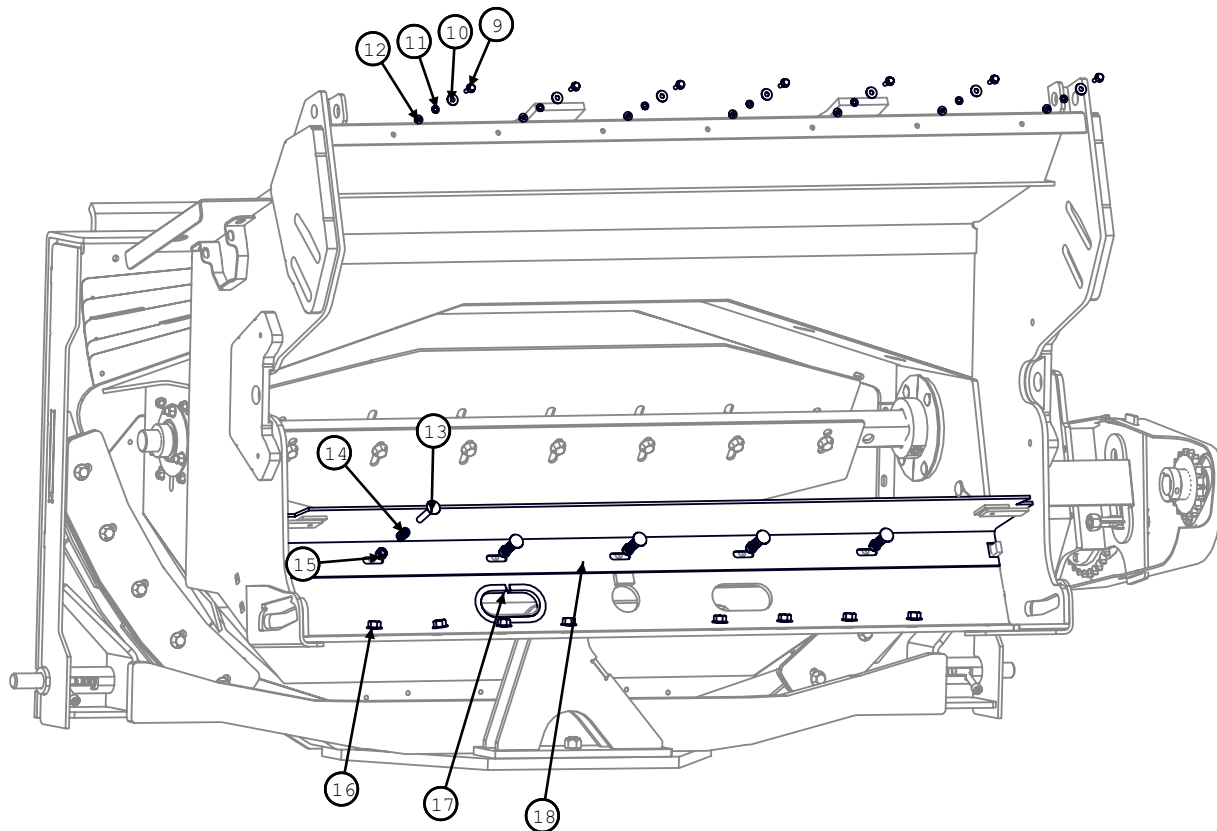
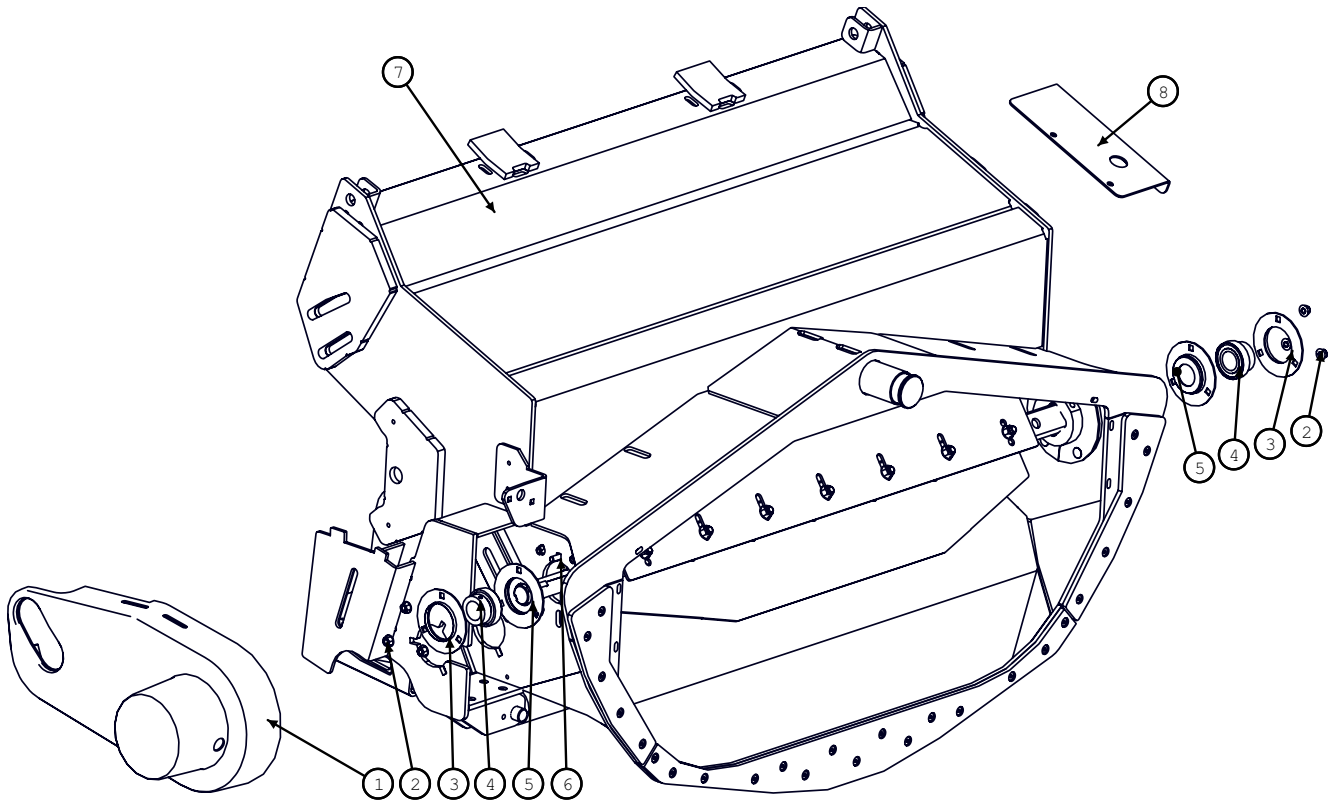
PART ORDERS

Orders must specify product model, serial number, correct part number, complete description, quantity required, method of shipment, shipping address, and billing address.

TRANSITION



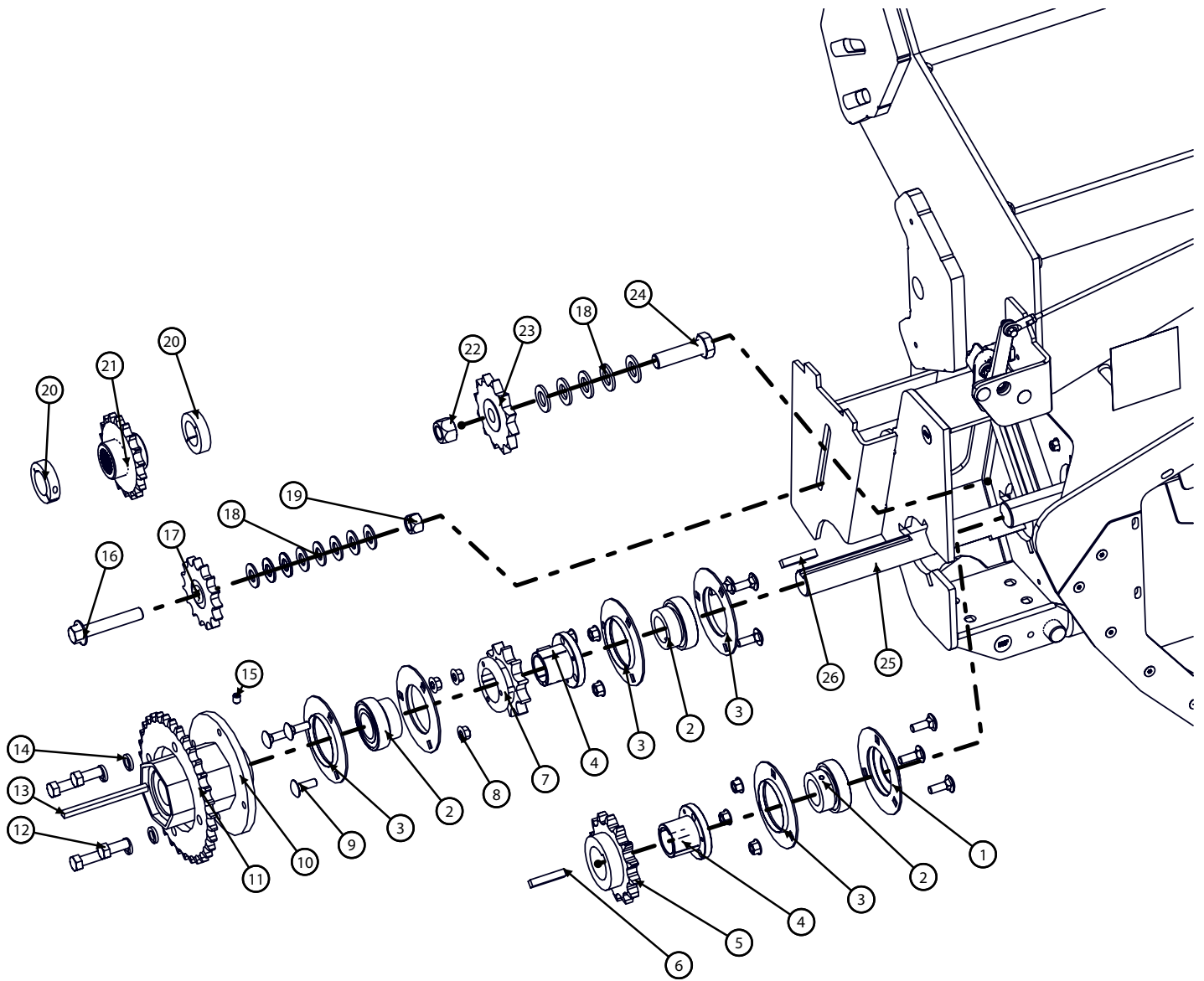
TRANSITION THROAT



Model JH9020 Hillco Leveling System
For Serial Numbers JH9020-18001 thru JH9020-18999

Transition Throat			
BOM ID	Part No.	Qty	Description
1	1147671	1	SHIELD, BEATER DRIVE
2	123.010	6	NUT,HEX,FLANGE,CL10 M10
3	101339	2	FLANGETTE,
4	100548	2	INSERT BEARING
5	1243691	2	INNER FLANGETTE
6	163.010.050	6	BOLT,CARR,CL8.8 M10
7	1323302	1	THROAT
8	1316464	1	TRIM SHIELD
9	122.006.020	7	BOLT,HX,FL,CL10.9 M6X20
10	105.004	7	WASHER,FLT 1/4
11	136.004	7	WASHER,LCK,MED-SPLIT 1/4
12	123.006	7	NUT,HX,FL,CL10 M6
13	163.010.060	5	BOLT,CARR,CL8.8 M10
14	143591	5	SPRING, COMPRESSION
15	191.010	5	NUT,HX,NYL,CL8 M10
16	123.012	8	NUT,HX,FL,CL10 M12
17	10114.00168	1	TRIM, RUBBER EDGE,
18	1312971	1	FLEX FLOOR

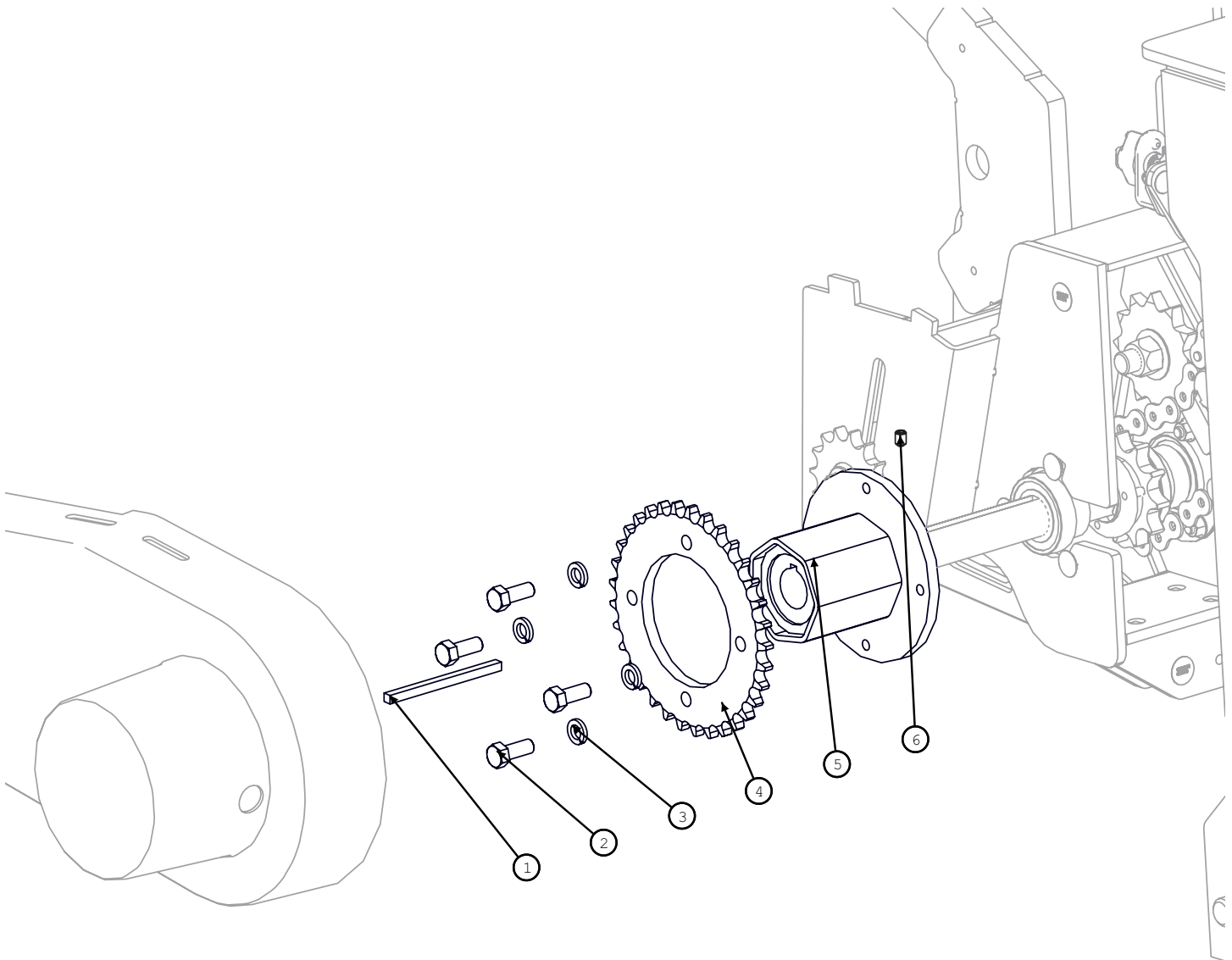
TRANSITION BEATER DRIVE



Model JH9020 Hillco Leveling System
For Serial Numbers JH9020-18001 thru JH9020-18999

Transtion Beater Drive			
BOM ID	Part No.	Qty	Description
1	1243691	1	INNER FLANGETTE
2	100548	3	INSERT BEARING
3	101339	5	FLANGETTE,
4	135511	2	HUB, SPLIT TAPER
5	136151	1	SPROCKET, TAPER BORE (80 PITCH, 14T)
6	10049.06.00032	1	SQ,1018,CD 3/8X2
7	135491	1	SPROCKET, TAPER BORE (80 PITCH, 11T)
8	123.010	9	NUT,HX,FL,CL10 M10
9	163.010.030	9	BOLT,CARR,CL8.8 M10
10	136921	1	SLIP CLUTCH, RADIAL
11	1226532	1	SPROCKET, PLATE
12	167.008.020	4	BOLT,HX,GR8 1/2-20X1-1/4
13	10049.05.00080	1	SQ,1018,CD 5/16" X 5"
14	139.008	4	WASHER,LCK,HVY-SPLIT 1/2
15	158.006.008	1	SCREW,SKT,SET 3/8-16X1/2
16	122.016.060	1	BOLT,HX,FL,CL10.9 M16X60
17	100237	1	SPROCKET, IDLER, 60P, 15T, 5/8B
18	133.010	15	WASHER,L9,HD
19	126.016	1	NUT,HX,STV,CL10 M16
20	142001	2	1 PC SPLIT COLLAR,
21	1273851	1	DRIVE SPROCKET
22	126.020	1	NUT,HX,STV,CL10 M20
23	137441	1	SPOCKET, IDLER, 80P, 12T, 3/4" BORE
24	121.020.070	1	BOLT,HX,CL10.9 M20
25	1229142	1	JACK SHAFT, RND, 1144, G&P 1-7/16" X 13-1/16
26	10049.06.00032	1	SQ,1018,CD 3/8X2
DRIVE CHAINS			
NS	10068.073	-	60 PITCH CHAIN, 73 PITCHES, TRANSITION DRIVE
NS	10066.029		80 PITCH CHAIN, 29 PITCHES, PADDLE BEATER DRIVE

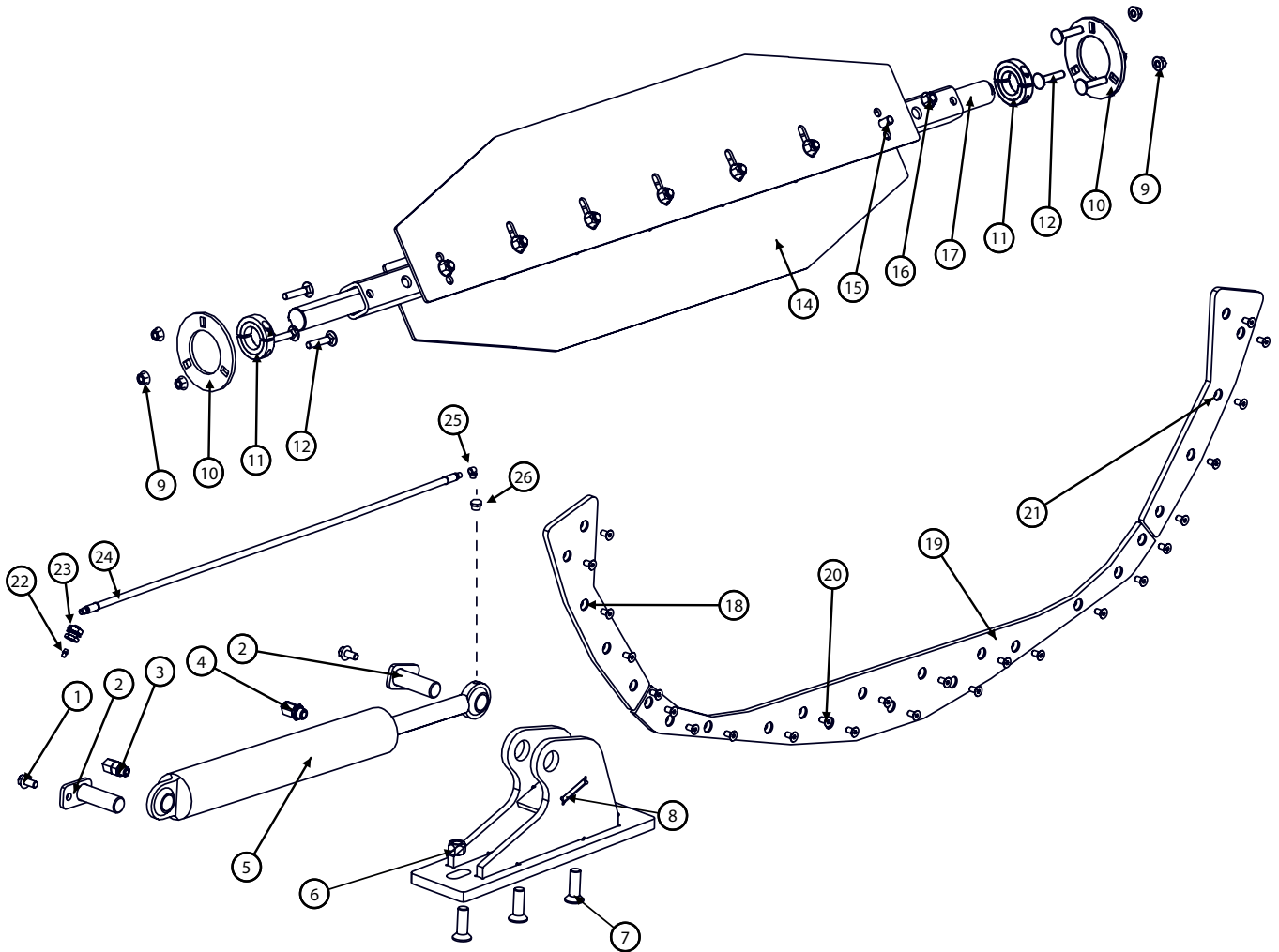
RADIAL PIN SLIP CLUTCH



Radial Pin Slip Clutch			
BOM ID	Part No.	Qty	Description
ASM	LA-242431	1	SLIP CLUTCH ASM, RADIAL PIN
2	10049.05.00080	1	SQ,1018,CD 5/16X5
2	167.008.020	4	BOLT,HX,GR8 1/2-20X1-1/4
3	139.008	4	WASHER,LCK,HVY-SPLIT 1/2
4	1226532	1	SPROCKET, PLATE
5	136921	1	SLIP CLUTCH, RADIAL
6	158.006.008	1	SCREW,SKT,SET 3/8-16X1/2

Model JH9020 Hillco Leveling System
For Serial Numbers JH9020-18001 thru JH9020-18999

TRANSITION MIDDLE

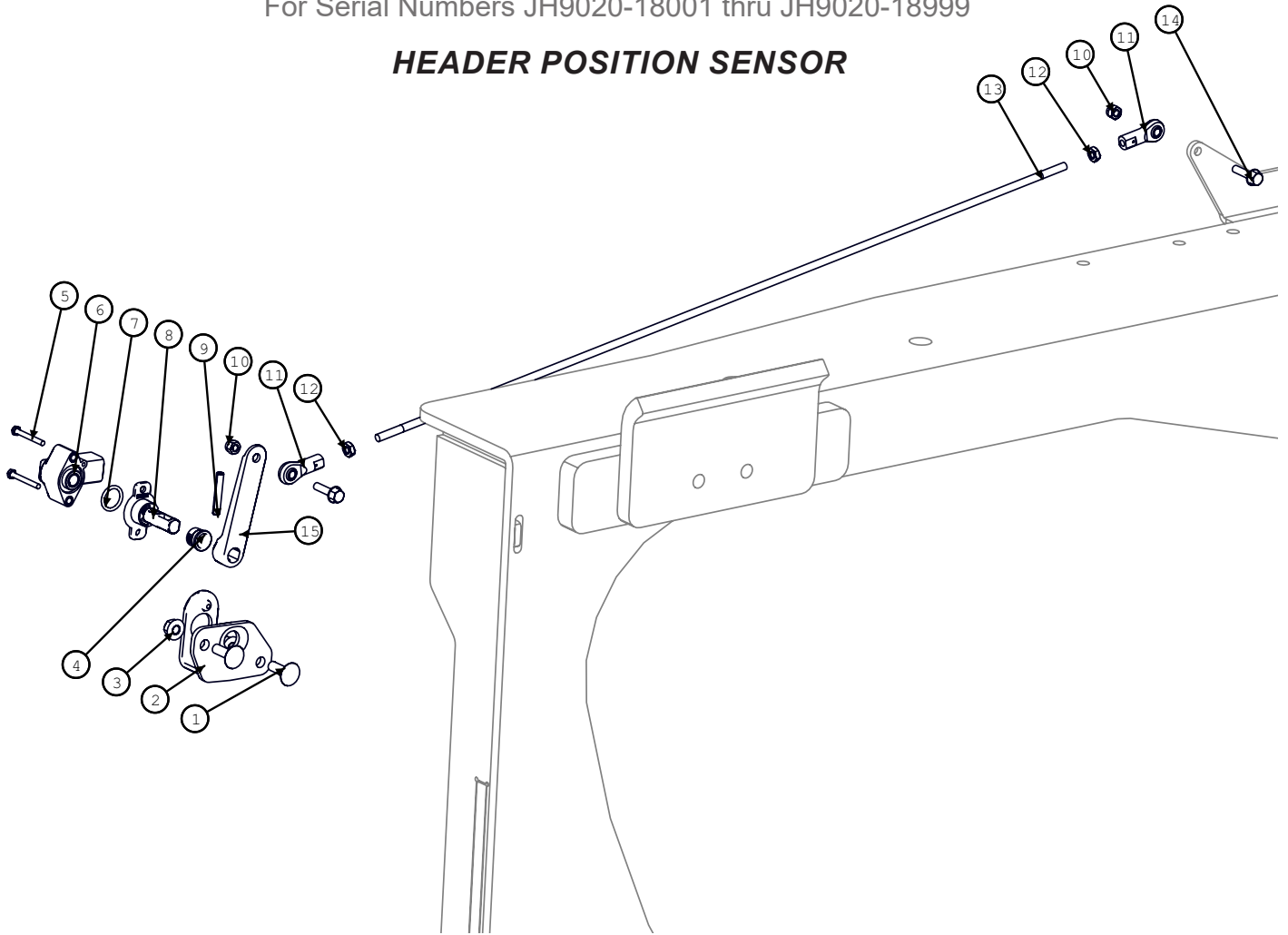


Model JH9020 Hillco Leveling System
For Serial Numbers JH9020-18001 thru JH9020-18999

Transition Middle			
BOM ID	HILLCO Part No.	Qty	Description
1	122.010.020	2	BOLT,HX,FL,CL10.9 M10X20
2	1253884	2	CYLINDER PIN, TRIM
3	1003.06.06	1	HA,90° 6MORB X 6MORS 90°
4	1002.06.06	1	HA,45° -6MORB X -6MORFS
5	147491	1	CYLINDER,SLAVE,21"CPC
6	126.016	3	NUT,HX,STV,CL10 M16
7	122.016.050	3	BOLT,HX,FL,CL10.9 M16 X 50
8	1322201	1	ROD MOUNT
9	123.010	6	NUT, M10
10	1346691	2	SHAFT SEAL
11	155773	2	CLAMP ON SHAFT COLLAR
12	163.010.050	6	BOLT, CARR, M10 X 50
14	1286321	2	PADDLE,METAL,NARROW
15	122.012.080	7	BOLT,HX,FL,CL10.9 M12X80
16	128.012	7	NUT,HX,FL,STV,CL10 M12
17	1251632	1	BEATER SHAFT
18	1229162	1	SIDE WEAR PLATE, L
19	1322151	1	BOTTOM WEAR PLATE
20	164.008.016	25	SCREW,FHSC,CL10.9 M8X16
21	1229172	1	SIDE WEAR PLATE, R
22	138011	1	ZERK,STR, 1/4-28MTAPER
23	155157	1	BULKHEAD,GREASE,STR,
24	1138952	1	100R1-03, 40"
25	135771	1	ADAPTER,GREASE,90°
26	135881	1	ADAPTER,GREASE, STRAIGHT

Model JH9020 Hillco Leveling System
For Serial Numbers JH9020-18001 thru JH9020-18999

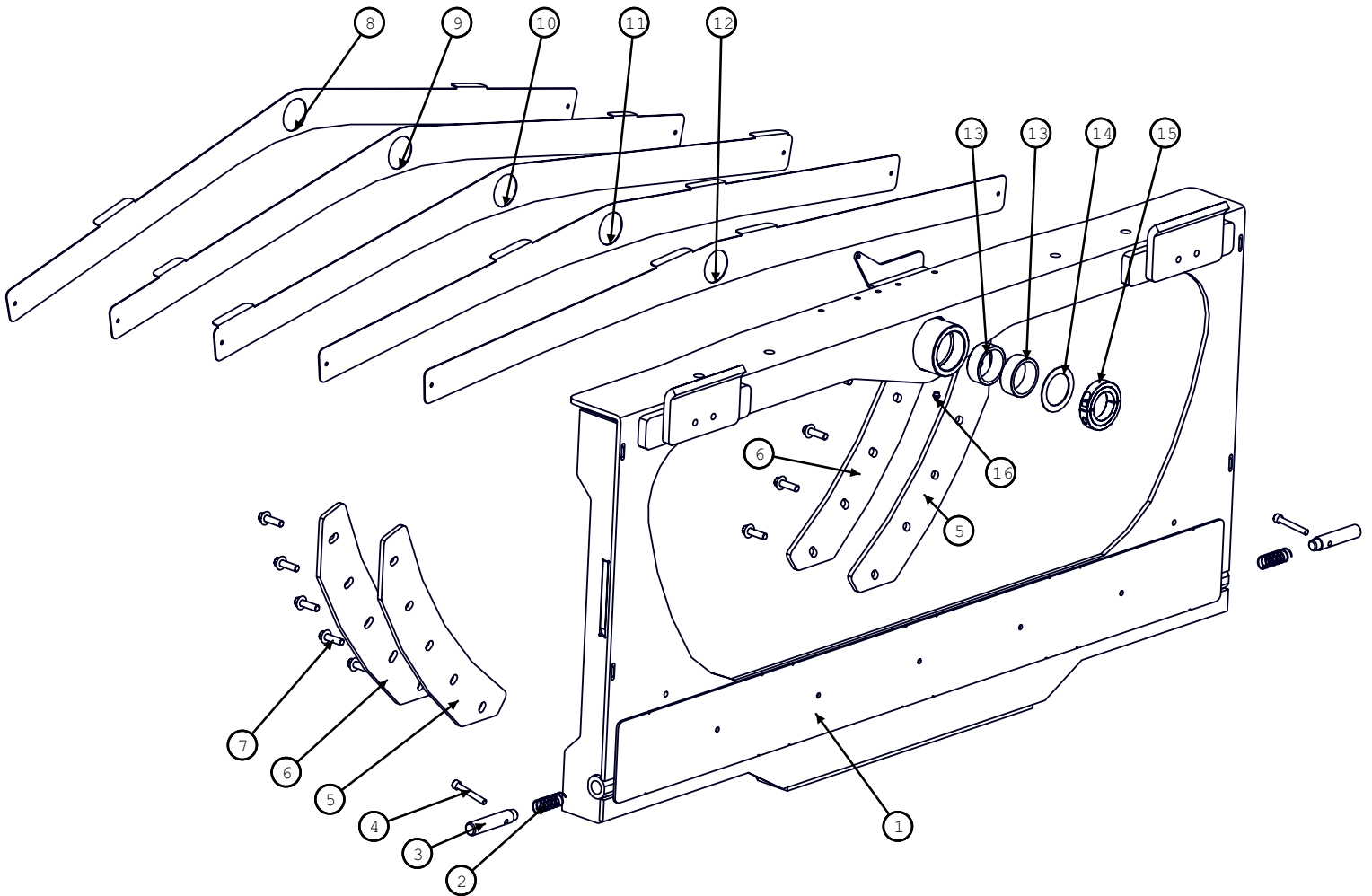
HEADER POSITION SENSOR



Header Position Sensor			
BOM ID	HILLCO Part No.	Qty	Description
1	163.008.025	2	BOLT,CARR,CL8.8 M8X25
2	151321	1	BRACKET, SENSOR
3	123.008	2	NUT,HX,FL,CL10 M8
4	151361	1	BUSHING,
5	170.004.035	2	BOLT, HX,CL8.8
6	151381	1	SENSOR, ROTATION,
7	151391	1	O-RING, 11/16ID
8	151401	1	SENSOR SHAFT,
9	201.006.036	1	PIN,ROLL M6X36
10	191.006	2	NUT,HX,NYL,CL8 M6
11	151881	2	ROD END, BALL JOINT,
12	184.004	2	NUT,HX,JAM,GR5 1/4-28
13	1295502	1	SENSOR ROD
14	122.006.025	2	BOLT,HX,FL,CL10.9 M6X25
15	151351	1	ARM, SENSOR

Model JH9020 Hillco Leveling System
 For Serial Numbers JH9020-18001 thru JH9020-18999

TRANSITION HEADER ADAPTER



Transition Header Adapter			
BOM ID	Part No.	Qty	Description
1	1322001	1	HEADER ADAPTER
2	135531	2	SPRING, COMPRESSION
3	1229193	2	LOCKOUT PIN
4	159.010.070	2	SCREW, SHC, CL12.9
5	1249871	2	WEAR PLATE,
6	1249861	2	BACKING PLATE
7	122.012.040	10	BOLT,HX,FL,CL10.9 M12X40
8-12	P306131	1	DEFLECTOR KIT
8	1306183	1	DEFLECTOR, REAR
9	1306173	1	DEFLECTOR, INNER REAR
10	1306163	1	DEFLECTOR,
11	1306153	1	DEFLECTOR, INNER FRONT
12	1306143	1	DEFLECTOR, FRONT
13	1305471	2	PIVOT BUSHING
14	162.014.040	1	BUSHING,MACH,NR
15	150742	1	COLLAR,CLAMPING,2-1/2 ID 3-3/4 OD, 2 PIECE HEAVY
16	133891	1	ZERK, GREASE, 1/8

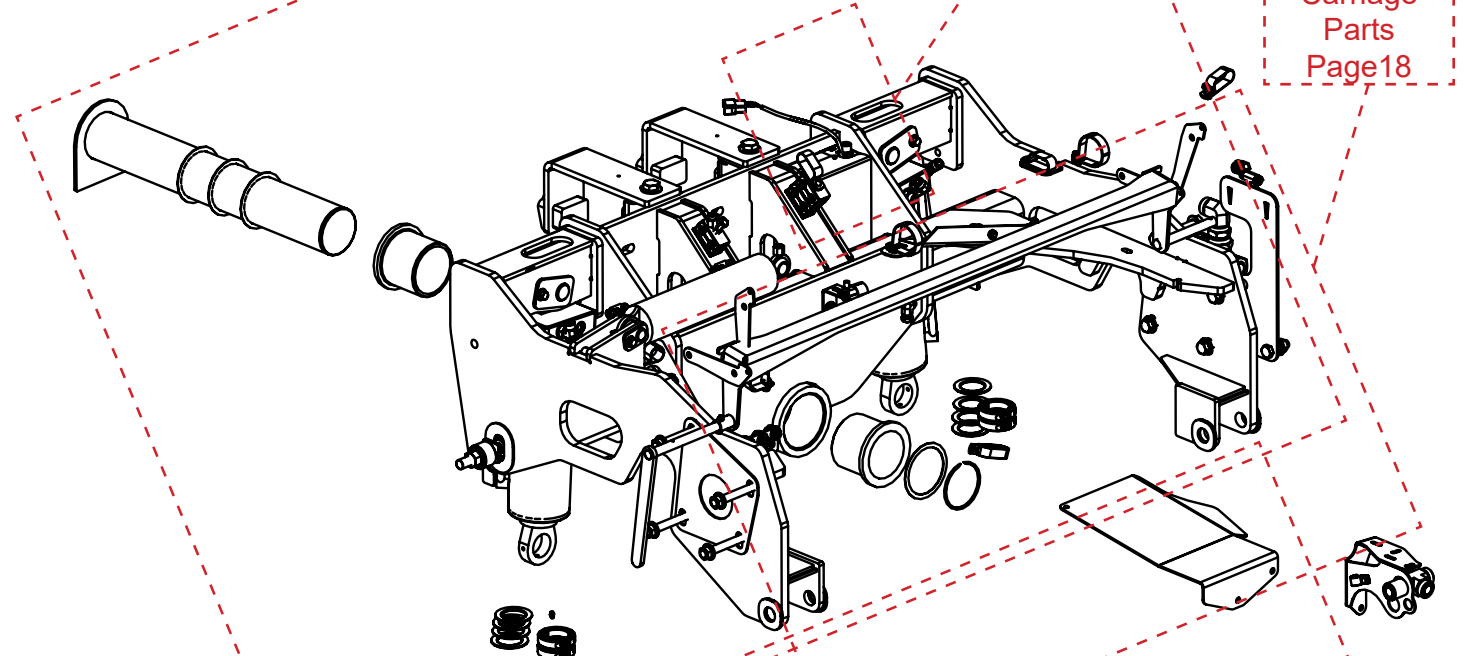
Model JH9020 Hillco Leveling System
For Serial Numbers JH9020-18001 thru JH9020-18999

Carriage

Overcarriage
Page 15

Carriage
Position Sensor
Page 19

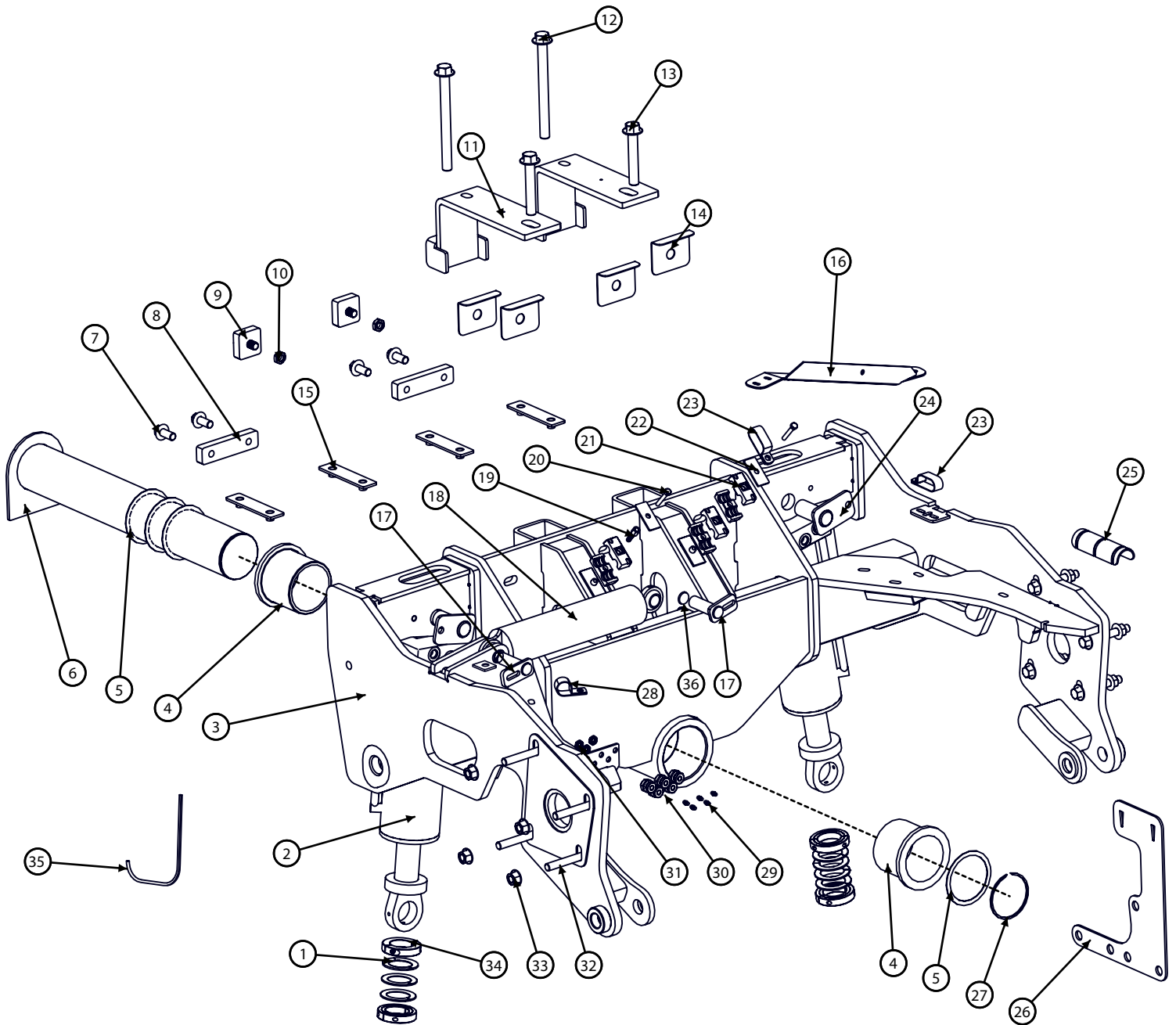
Misc.
Carriage
Parts
Page 18



Undercarriage
Page 17

Model JH9020 Hillco Leveling System
For Serial Numbers JH9020-18001 thru JH9020-18999

Overcarriage

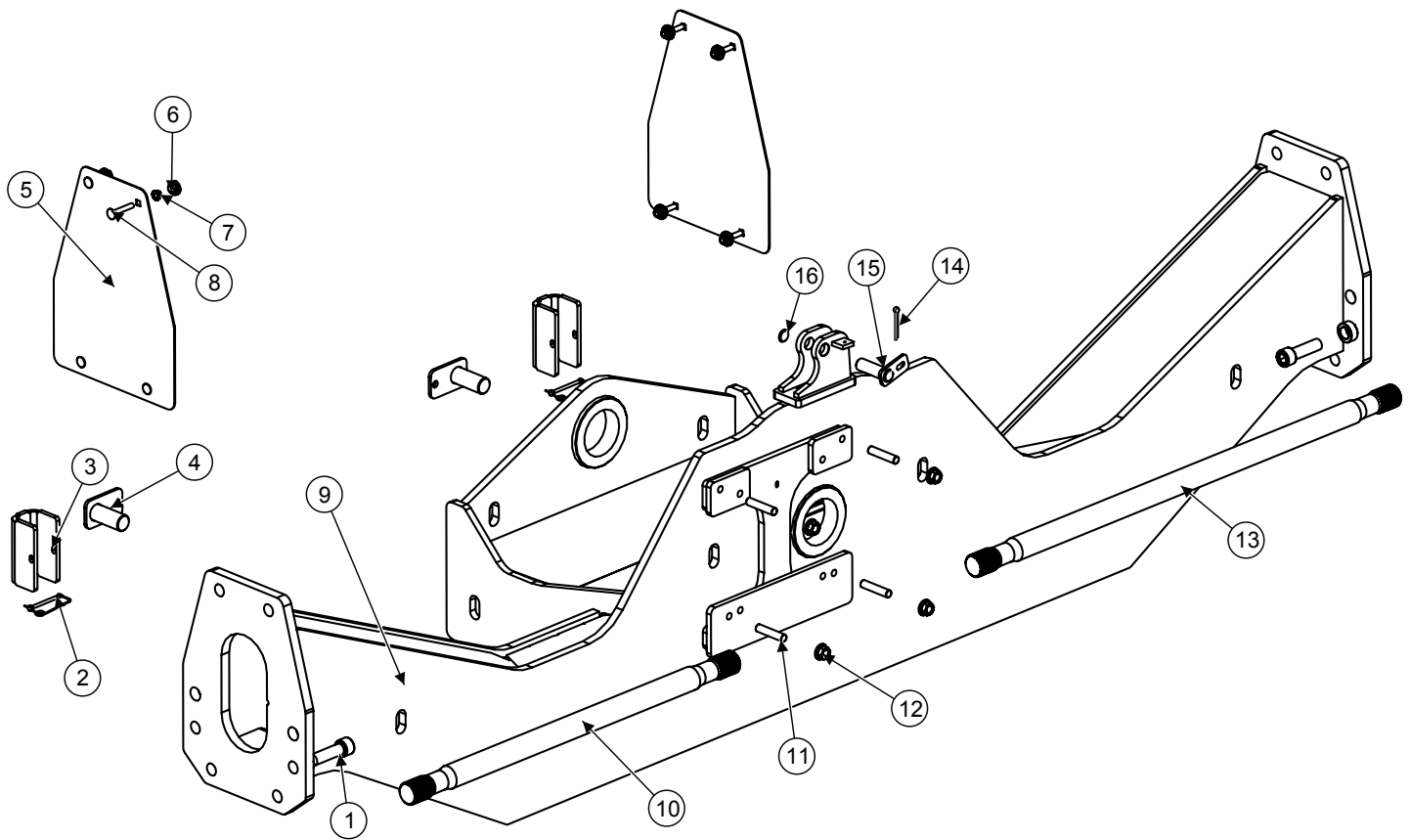


Model JH9020 Hillco Leveling System
For Serial Numbers JH9020-18001 thru JH9020-18999

Overcarriage			
BOM ID	Part No.	Qty	Description
1	137501	8	WASHER, QUICK REPAIR
2	151002	2	CYLINDER, CB VALVE,
3	1291335	1	OVERCARRIAGE
4	1247961	2	PIVOT BUSHING
5	138641	4	WASHER; 4.016ID X
6	1291351	1	PIVOT PIN
7	122.016.035	4	BOLT,HX,FL,CL10.9 M16X35
8	1291731	2	CARRIAGE LOCK
9	1293581	2	UPPER CARRIAGE SHIM
10	165.016	2	NUT,HX,JAM,CL8 M16
11	1293631	2	AXLE CLAMP
12	122.020.220	2	BOLT,HX,FL,CL10.9 M20
13	122.020.120	2	BOLT,HX,FL,CL10.9 M20
14	1270042	4	CARRIAGE SHIM
15	1293561	4	LOWER CARRIAGE SHIM
16	1274902	1	SUPPORT, HYDRO HOSE
17	1345961	2	CYLINDER PIN, TRIM
18	140342	1	CYLINDER, CROSS PORT
19	155409	1	STACK BOLT, BEHRINGER
20	101.005.028	2	BOLT,HX,GR5 5/16-18 X 1 3/4
21	139481	3	CLAMP, TWIN, BEHRINGER -.620
22	139231	2	COVER PLATE,TWIN
23	147781	2	CLAMP, DOUBLE LOOP
24	1230552	2	PIN, MAIN CYLINDER
25	155254	1	HOSE PROTECTOR, 2.5W X 6"
26	1297822	1	MANIFOLD SPACER
27	138651	1	SNAP RING; 4"
28	151311	1	CLAMP, RC 1-1/4"
29	138011	5	ZERK,STR, 1/4-28MTAPER
30	155157	5	BULKHEAD,GREASE,STR,
31	155158	5	BULKHEAD,LOCKNUT
32	122.016.120	8	BOLT,HX,FL,CL10.9 M16X110
33	123.016	8	NUT,HX,FL,CL10 M16
34	153241	4	COLLAR, CLAMPING
35	10130.00096	1	VINYL EDGE TRIM AROUND HYDRAULIC HOSES
36	148.016	2	SNAP RING; 1"

Model JH9020 Hillco Leveling System
For Serial Numbers JH9020-18001 thru JH9020-18999

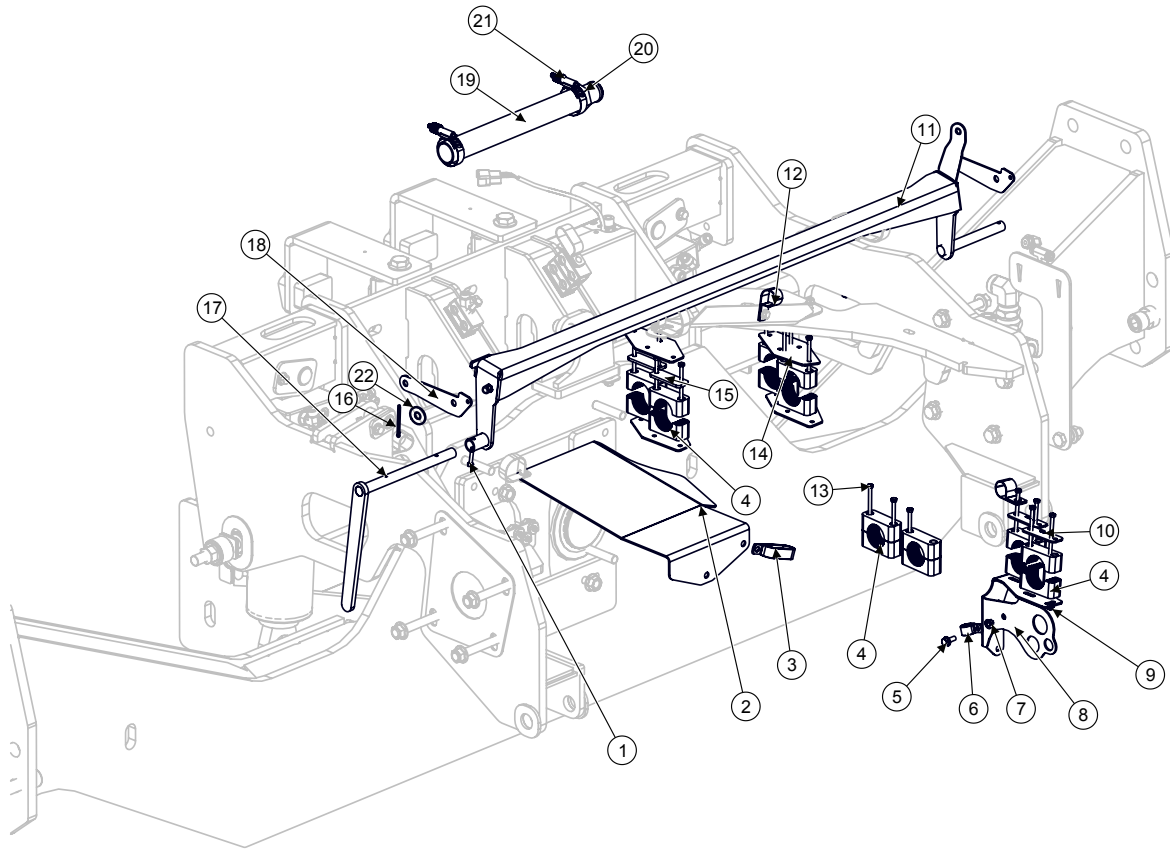
Undercarriage



Undercarriage			
BOM ID	Part No.	Qty	Description
1	159.024.080	4	SHCS 12.9-M24 X 3 X 80 PLT
2	146.004.048	2	SNAP LOCK PIN 1/4 X 3
3	1306721	2	CM PLT, CYLINDER STOP
4	1230552	2	CM PIN ASM, MAIN CYLINDER
5	1293831	2	CM SHT, CAP, AXLE
6	151021	8	BUSHING, PLASTIC (JD#Z31550)
7	123.010	8	FLHN-10.9 M10 X 1.50
8	163.010.050	8	CARR-8.8M10X1.5X50 HEAD SCREW
9	1291432	1	CU WLD, UNDERCARRIAGE, 122.5
10	151531	1	SHAFT, DRIVE 951MM
11	155.016.075	4	STUD, DOUBLE-10.9 M16X2.00X75
12	F-HNF-16ME	4	FLHN-10.9M16X2.0
13	151541	1	SHAFT, DRIVE 1228MM
14	142.004.048	1	BOLT,HX,FL,CL10.9 M10X20
15	1345961	1	CYLINDER PIN, TRIM
16	148.016	2	SNAP RING; 1"

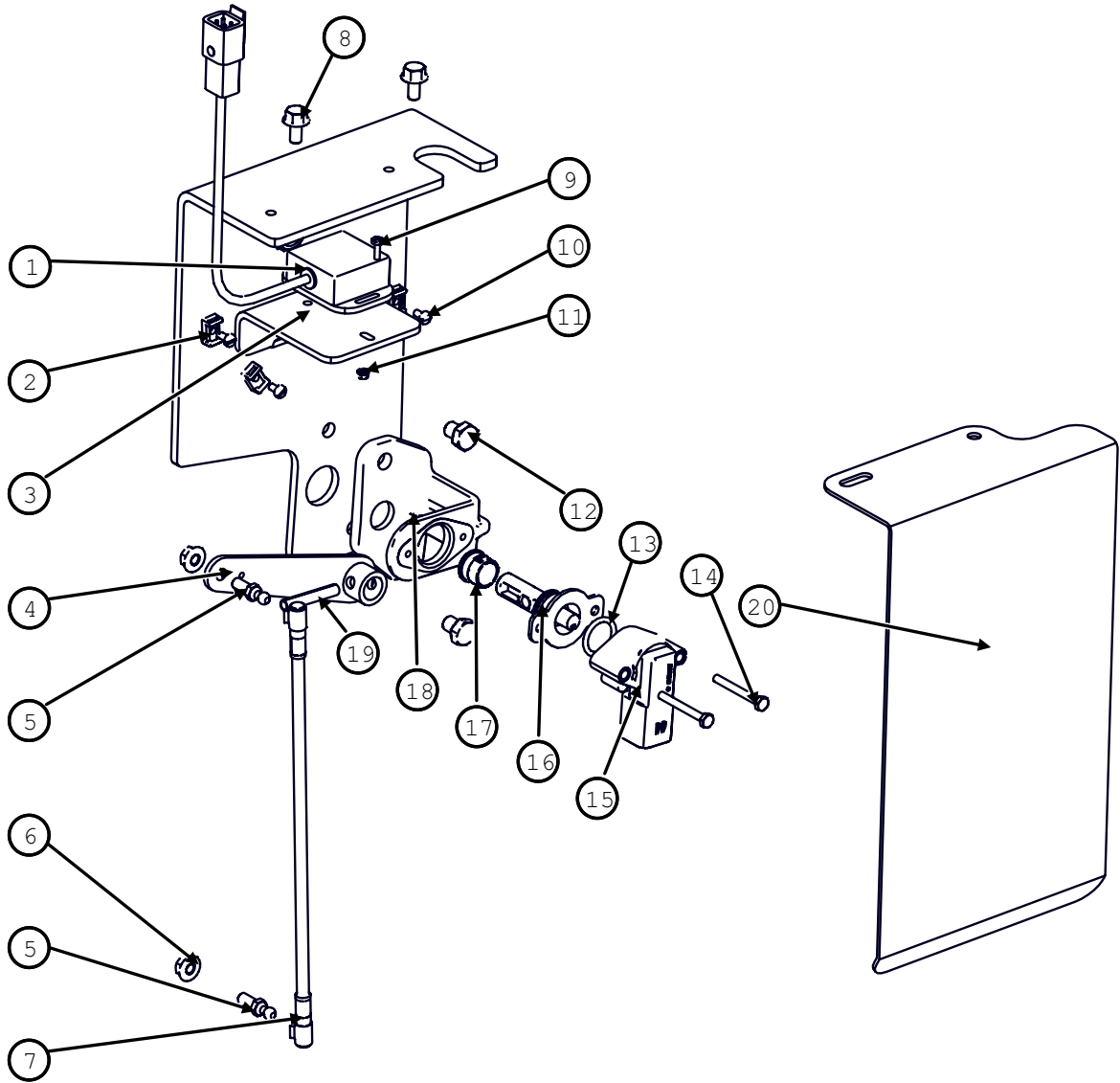
Model JH9020 Hillco Leveling System
For Serial Numbers JH9020-18001 thru JH9020-18999

Carriage Misc. Parts



Overcarriage Misc.			
BOM ID	Part No.	Qty	Description
1	121.006.035	1	HC-10.9 M6x1.0X35
2	1274252	1	HM PLT, TABLE HYDRO HOSE
3	1151781	1	CLAMP, P-STYLE (JD#AH77884)
4	15571	8	CLAMP, TUBE, 1-3/4" BEHRINGER STD
5	122.008.025	1	BOLT,HX,FL,CL10.9 M8X25
6	135791	1	CLAMP, HOSE 7/8 R/C W 3/8HOLE (JD#AH78237)
7	123.008	1	FLHN-10.9M8X1.25
8	1297312	1	LM WLD, HYDRO HOSE SUPPORT
9	123.006	4	NUT,HX,FL,CL10 M6
10	140651	2	BEHRINGER STD COVER PLATE
11	1264512	1	LM ASM, LINKAGE, ROCK TRAP
12	143601	2	CLAMP, HOSE 1-1/8" R/C W 3/8
13	170.006.090	15	BOLT,HX,CL8.8 M6X90
14	1274231	4	HM PLT, HYDRO HOSE SUPPORT
15	1276391	2	HM CLAMP SPACER
16	142.002	1	PIN, COTTER 1/8"x2"
17	1264501	1	HANDLE, ROCK TRAP
18	1290742	2	LM SHT, ROCK TRAP LINKAGE, UPPER
19	1276351	1	HOSE, 1-1/2" BELLOWSFLEX HARDWALL 14"
20	1063.24.24	1	UNION, -24MB x -24MB
21	152061	3	CLAMP, HOSE, WORM GEAR, 1.5" TO 2.5"
22	105.008	2	WASHER, FLAT 1/2

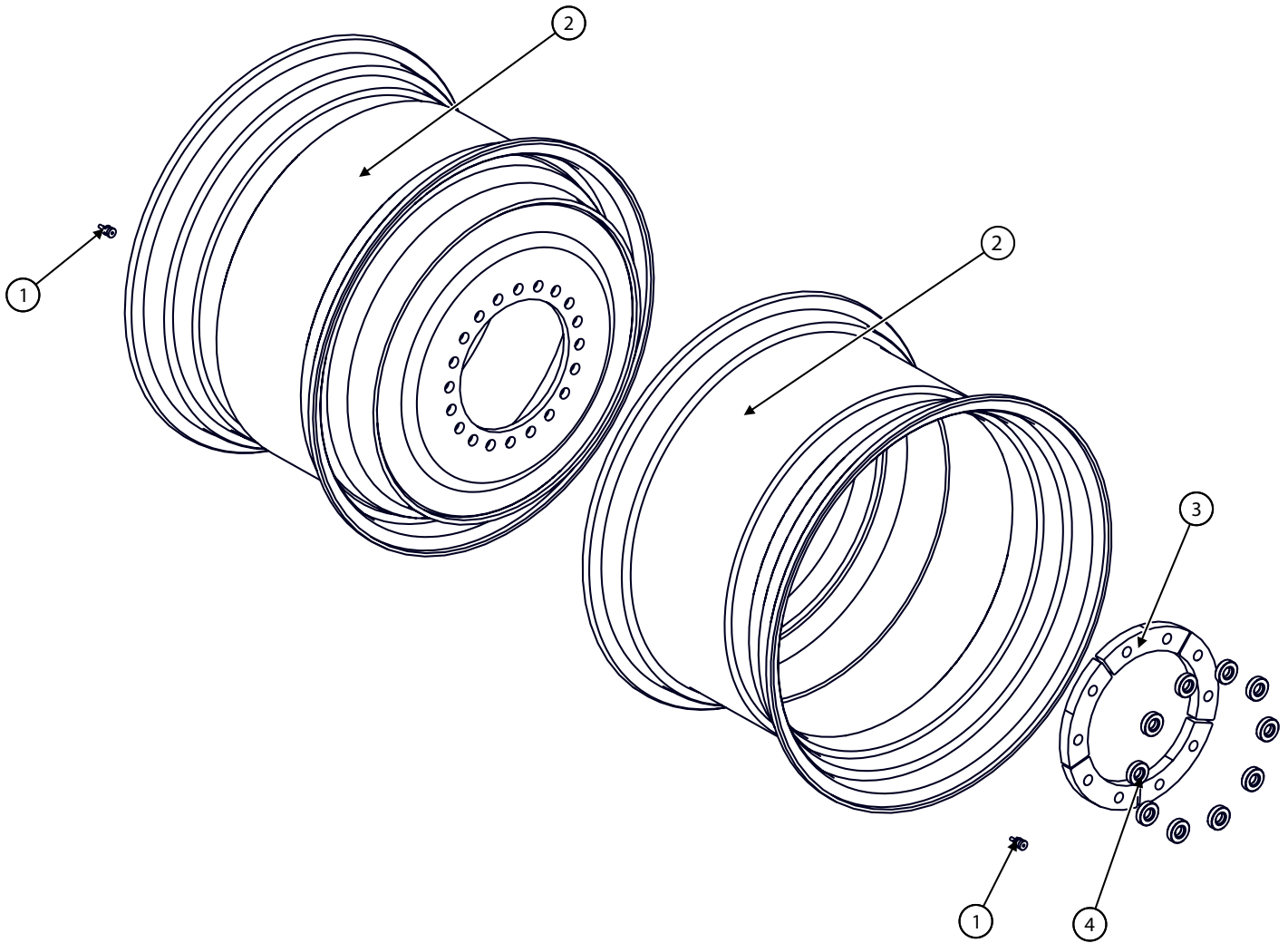
Carriage Position Sensor



Model JH9020 Hillco Leveling System
For Serial Numbers JH9020-18001 thru JH9020-18999

Carriage Position Sensor				
BOM ID	Hillco Part No.	John Deere Part No.	Qty	Description
1	155684		1	CLINOMETER
*	155876		1	Update clinometer, requires controller/display update
2	153641		3	CABLE TIE MOUNT,
3	1347271		1	SENSOR MNT
4	151371	AXE17303	1	ARM, TILT SENSOR
5	151341	H168762	2	BALL STUD
6	123.006		2	FLANGE NUT, M6 X 1.0
7	151331	AH226146	1	LINKAGE, POSITION
8	122.006.012		2	BOLT,HX,FL,CL10.9 M6X12
9	114.#06.006		2	SCREW,PHM,CH 6-32X3/8
10	115.#06.004		3	SCREW,PHM,SH 6-32X1/4
11	119.#06		2	NUT,HX,FL,SERR 6-32
12	178.008.010		2	BOLT, M8X10
13	151391	P48347	1	O-RING, 11/16ID
14	170.004.035		2	BOLT, HX,CL8.8
15	151381	AXE14246	1	SENSOR, ROTATION,
16	151401	AXE14888	1	SENSOR SHAFT,
17	151361	R41076	1	BUSHING,
18	151321	HXE16001	1	BRACKET, SENSOR
19	201.006.036		1	PIN,ROLL M6X36
20	1303151		1	SHIELD SENSOR

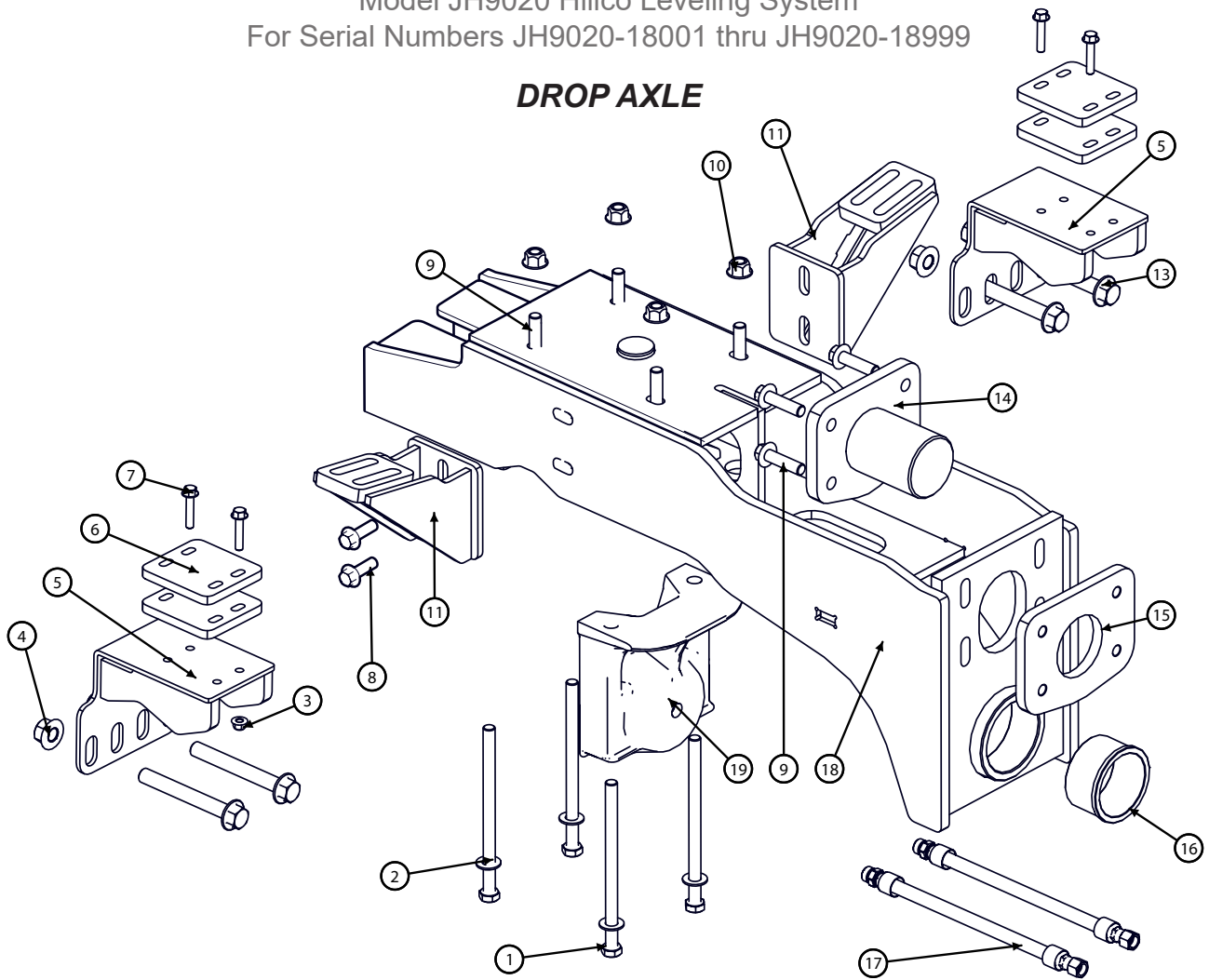
DRIVE WHEEL



DRIVE WHEEL COMPONENTS				
REF.	PART NO.	QTY.	PART NAME	NOTES
1	MC-143921	4	VALVE STEM	FOR 24.5 x 32 TIRE ONLY
NS	155450	4	WHL 38XDW23A 10-13.189 -14.5	FOR 650/65R38 TIRE
2	MC-143131	4	32 X 21 SINGLE PIECE WHEEL	FOR 24.5 X 32 TIRE
3 & 4	1265962	2	SET, WHEEL CLAMPING RING ASSEMBLY	ASSEMBLY, 1 SET PER SIDE
3	1260113	10	RING, WHEEL CLAMPING	5 PER SET
4	1330901	20	WASHER	10 PER SET
STEER WHEEL COMPONENTS				
NS	JD PART NO AXE10349		4 WD REAR WHEEL	JOHN DEERE SUPPLIED PART
NS	JD PART NO AT25226		REAR WHEEL VALVE STEM	JOHN DEERE SUPPLIED PART

Model JH9020 Hillco Leveling System
For Serial Numbers JH9020-18001 thru JH9020-18999

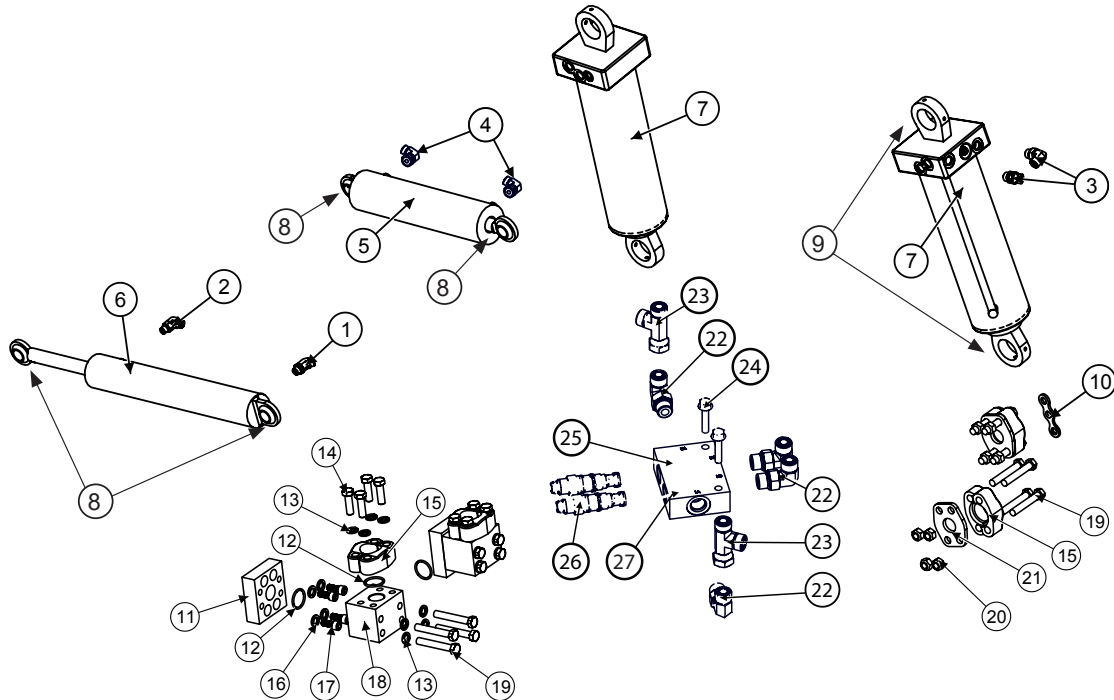
DROP AXLE



Drop Axle			
BOM ID	Part No.	Qty	Description
1	121.016.250	4	BOLT,HX,CL10.9 M16X250
2	133.010	4	WASHER,L9,HD 5/8
3	128.010	4	NUT,HX,FL,STV,CL10 M10
4	123.020	4	NUT,HX,FL,CL10 M20
5	1299792	2	ROTATION STOP
6	1299892	4	ROTATION STOP 16°
7	122.010.050	4	BOLT,HX,FL,CL10.9 M10X50
8	122.016.050	4	BOLT,HX, FL, CL10.9 M16X50
9	122.016.060	8	BOLT, HX, FL, CL10.9, M16X60
10	128.016	12	NUT,HX,FL,STV,CL10 M16
11	1313541	2	WING
13	122.020.160	4	BOLT,HX,FL,CL10.9 M20
14	1291071	1	PIVOT PIN
15	1291091	1	PIVOT LOCK
16	1235092	1	BUSHING, PIVOT
17	1273461	2	3/8" R2 #8FF#8MF 15"
18	1291023	1	DROP AXLE
19	1299801	1	STAND-OFF, REAR AXLE

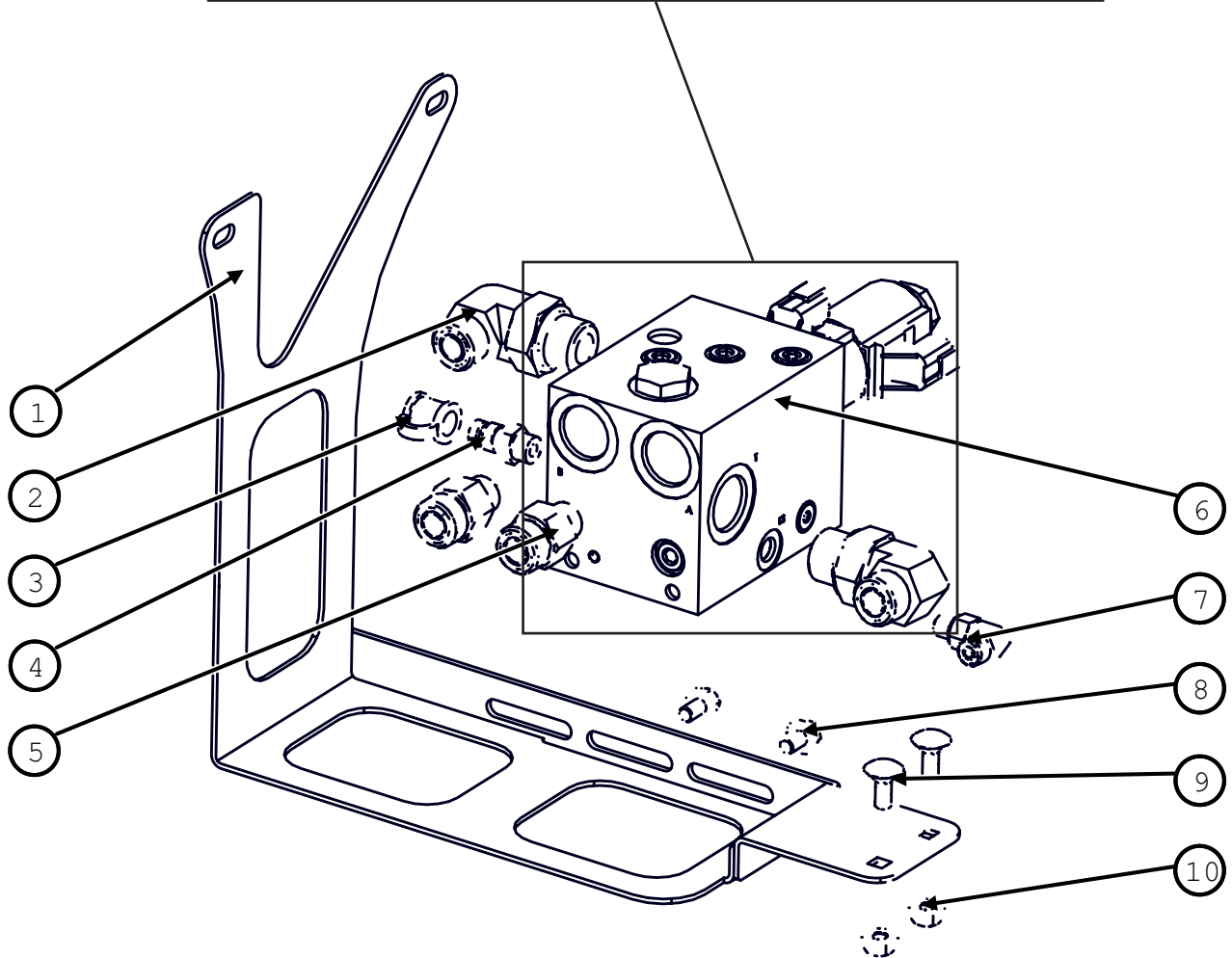
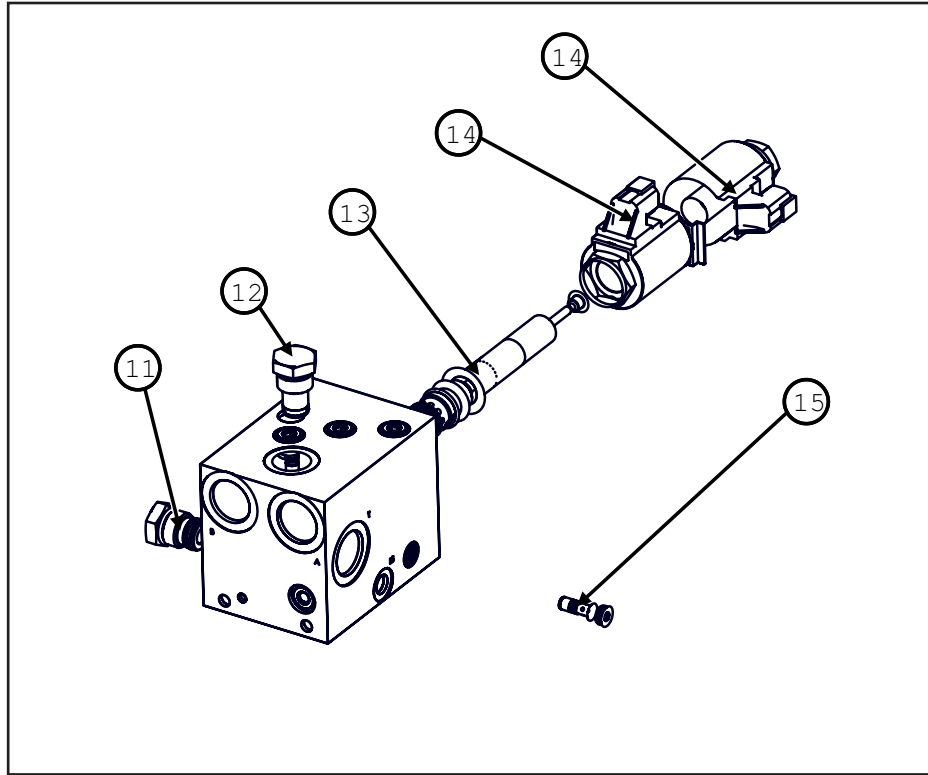
Model JH9020 Hillco Leveling System
For Serial Numbers JH9020-18001 thru JH9020-18999

Hydraulic Components



Hydraulic Components			
BOM ID	Part No.	Qty	Description
1	1002.06.06	2	#6 MORS X #6 MORB 45 DEG
2	1003.06.06	2	ELBOW, 90°, 6MF x 6MO
3	1003.08.08	3	ELBOW, 90°, #8MORS#8MORB
4	1006.06.06	5	90, -6FORFS X -6MORFS
5	140342	2	MASTER CYLINDER, 3"B, 8-3/4"S,1-3/8"R, 17-1/4"CPC, CROSS
NS	HC-134201	-	SEAL KIT, MASTER CYLINDER
6	147491	4	CYLINDER,SLAVE,21"CPC
NS	HC-141281	-	SEAL KIT, SLAVE CYLINDER
7	151002	2	LEVELING CYLINDER, 4-1/2"B,11"S,2"R, 22-1/2 CPC
NS	155666	-	SEAL KIT, LEVELING CYLINDER
8	MC-140321	4	1" BEARING, SEALED SPHERICAL
9	MC-150881	4	1 3/8" BEARING, SEALED SPHERICAL
10	LP-274391	1	LM PLT, HYDRO HOSE SPACER
11	LM-272092	2	CODE 62 90° 1-1/4 ROTATIONAL ADAPTER
12	147621	8	O-RING, CODE 62, 1-1/4"
13	139.009	16	LW 9/16 HD
14	121.014.045	8	HC-10.9M14 X2.0X45
15	147611	8	FLANGE, 1-1/4" CODE 62, HALF
16	135.009	8	LW 9/16 HD HIGH COLLAR
17	159.014.030	8	SHCS-12.9M14X2.0X30
18	LM-272082	2	HM BLOCK, CODE 62 1-1/4 90°
19	121.014.090	16	HC-10.9 M14X2.0X90
20	126.014	8	HN-10.9M14X2.0 STVR
21	1272161	2	HM PLT, CODE 62 1-1/4 UNION
22	1003.08.08	4	-8MORBx -8MORFS
23	1008.08	2	SWV,NUT,RUN -8ORFS
24	122.008.040	2	M8X40
25	155611	1	BODY, DUAL COUNTERBALANCE
26	139161	2	CARTRIDGE,COUNTERBALANCE,
27	155603	1	2-CARTRIDGE, 4-PORT (includes 155611 & 139161)

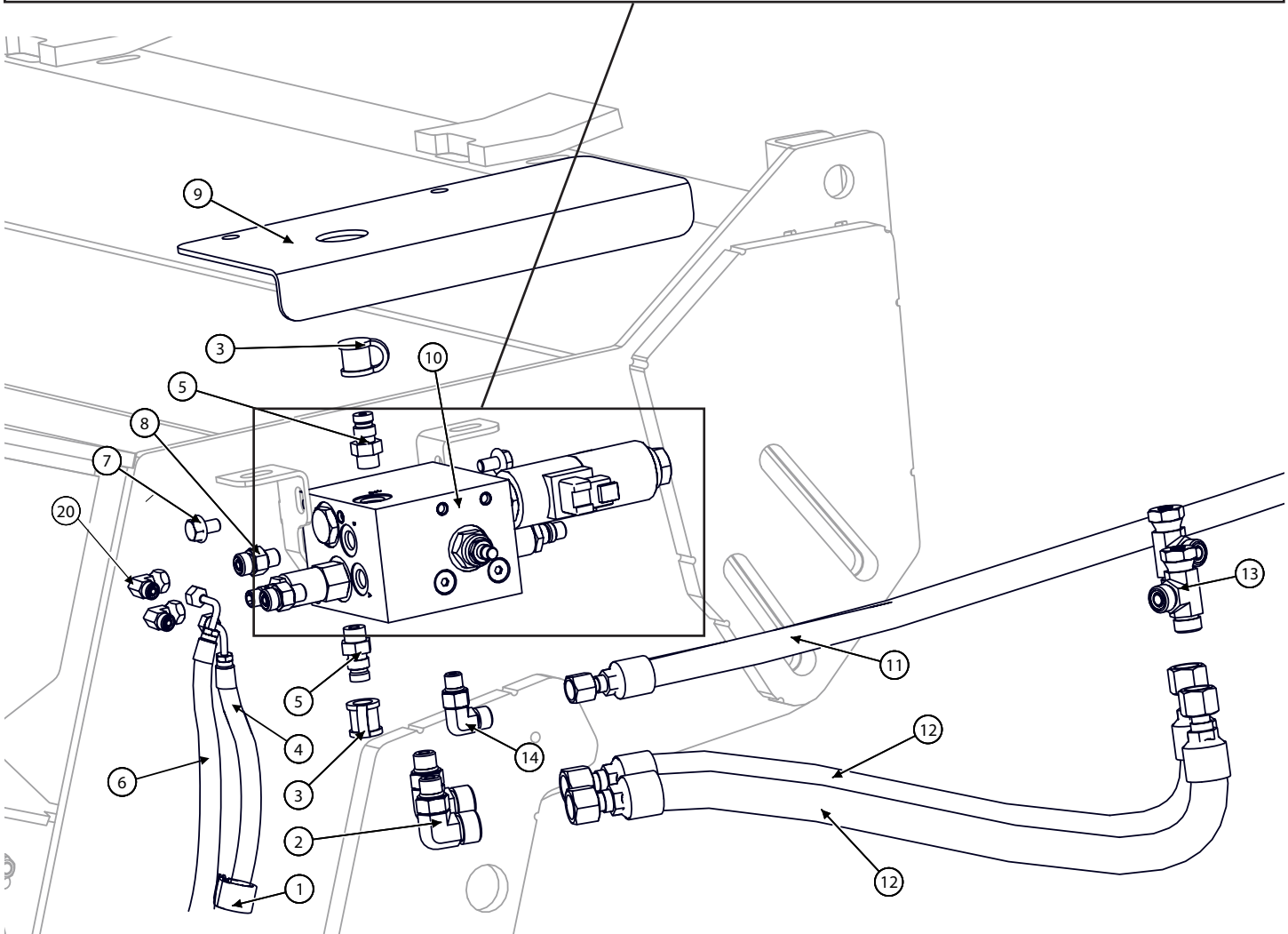
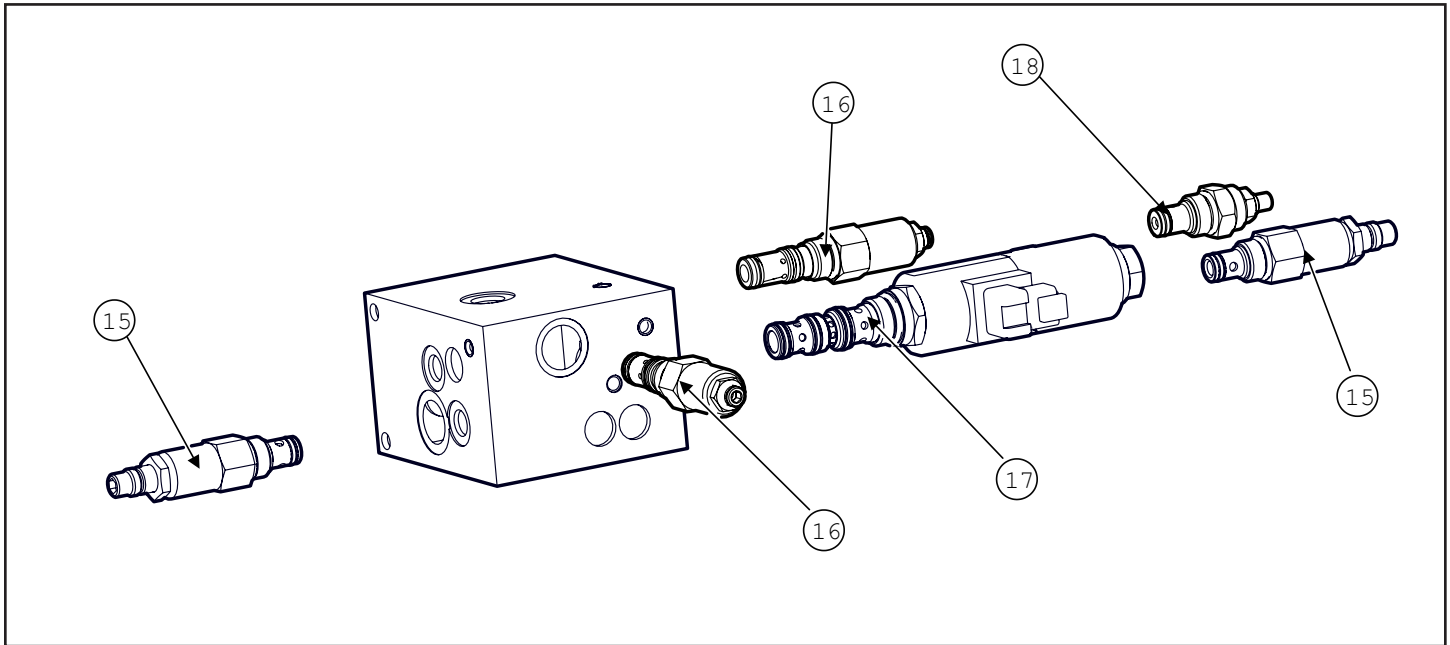
Leveling Manifold



Model JH9020 Hillco Leveling System
For Serial Numbers JH9020-18001 thru JH9020-18999

Leveling Manifold			
BOM ID	Part No.	Qty	Description
1	1313601	1	MANIFOLD MOUNT
2	1003.12.10	2	HA,90°, -12MORB X -10MORFS
3	144001	1	DUST COVER
4	143991	1	COUPLER,
5	1001.12.10	2	-12MORB X -10MORFS
6	1343021	1	HIGH-FLOW (COMATROL P/N11191146)
7	1003.04.04	1	HA,90°
8	111.005.008	2	BOLT,HX,FL,GR5 5/16-18X1/2
9	163.008.020	2	BOLT,CARR,CL8.8 M8X20
10	123.008	2	M8x1.25
11	155234	1	CAVITY PLUG, 3 WAY, 10 SERIES
12	155238	1	CAVITY PLUG, 2 WAY, 10 SERIES
13	155855	1	CARTRIDGE VALVE,3 POS,4 WAY, PROPORTIONAL, 16GPM
14	155854	2	SOLENOID COIL,M19,PROP,DEUTSCH
15	155236	1	CHECK VALVE, REVERSE DIRECTION

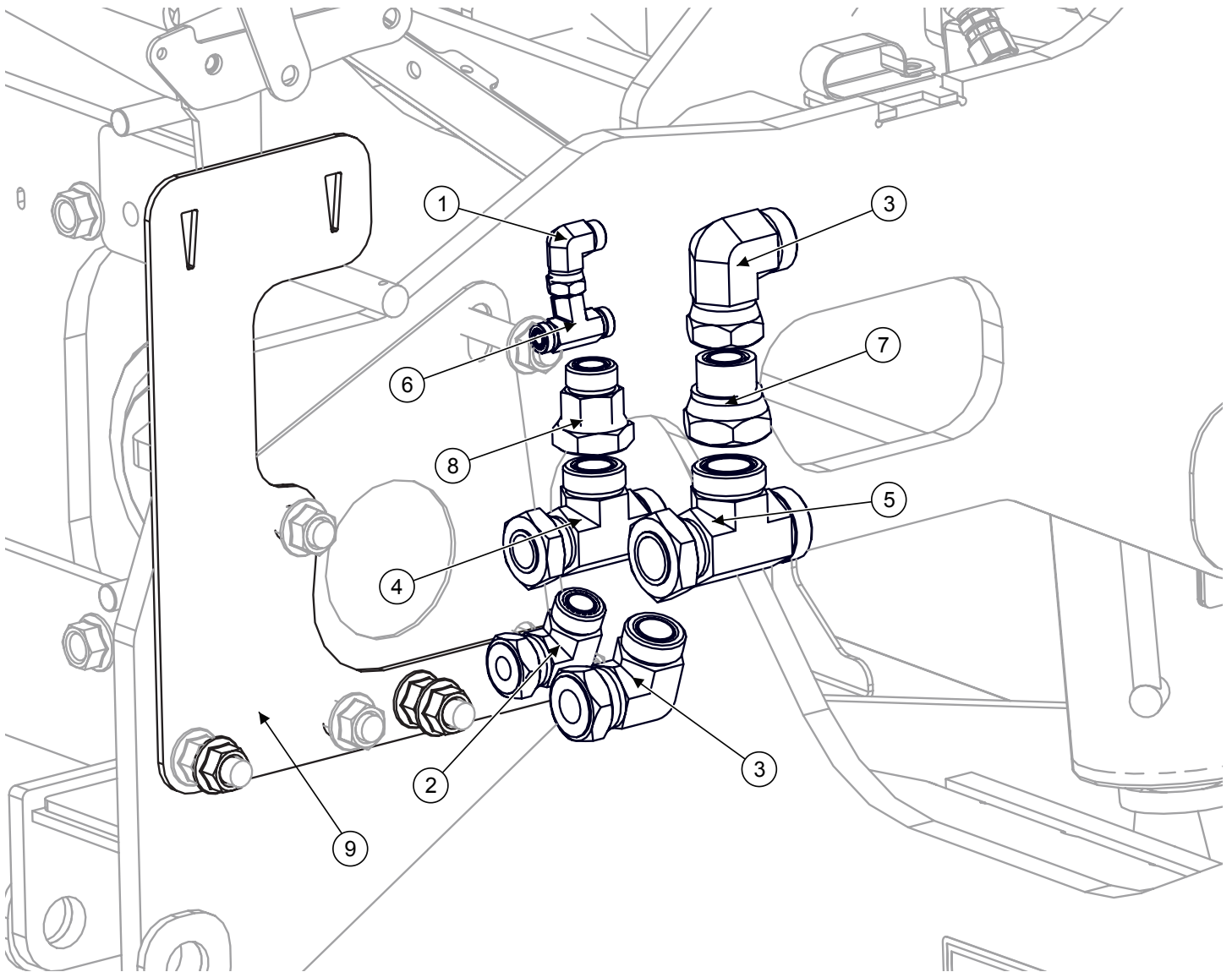
Header Trim Manifold



Model JH9020 Hillco Leveling System
For Serial Numbers JH9020-18001 thru JH9020-18999

Header Trim Manifold			
BOM ID	Part No.	Qty	Description
1	135791	2	CLAMP, HOSE
2	1003.08.06	2	-8MORB X -6MORFS
3	144001	2	DUST COVER
4	1322112	1	100R17-04 67",
5	143991	2	COUPLER,
6	1322101	1	100R17-04X80",
7	111.005.008	2	BOLT,HX,FL,GR5 5/16-18X1/2
8	1001.04.04	2	HA,STR
9	1316464	1	SHIELD, TRIM SHIELD
10	1331781	1	MANIFOLD, CUSTOM, TRIM
11	1320721	1	100R17AR-04X138",
12	1320711	2	100R17AR-06X38",
13	1008.06	2	SWIVEL NUT, RUN, -6ORFS
14	1003.04.04	1	HA,90°
15	155243	2	CARTRIDGE, PRESSURE RELIEF,
16	155742	2	CARTRIDGE, COUNTERBALANCE CP08-3L CAVITY
17	155249	1	CARTRIDGE VALVE, 3 POS,4 WAY (INCLUDES 155248)
18	HC-145501	1	VALVE, NEEDLE
19	155248	2	SOLENOID COIL, CARTRIDGE, PROP
20	1006.04.04	2	-4FORFS X -4MORFS 90°

John Deere Header Lift Manifold Fittings



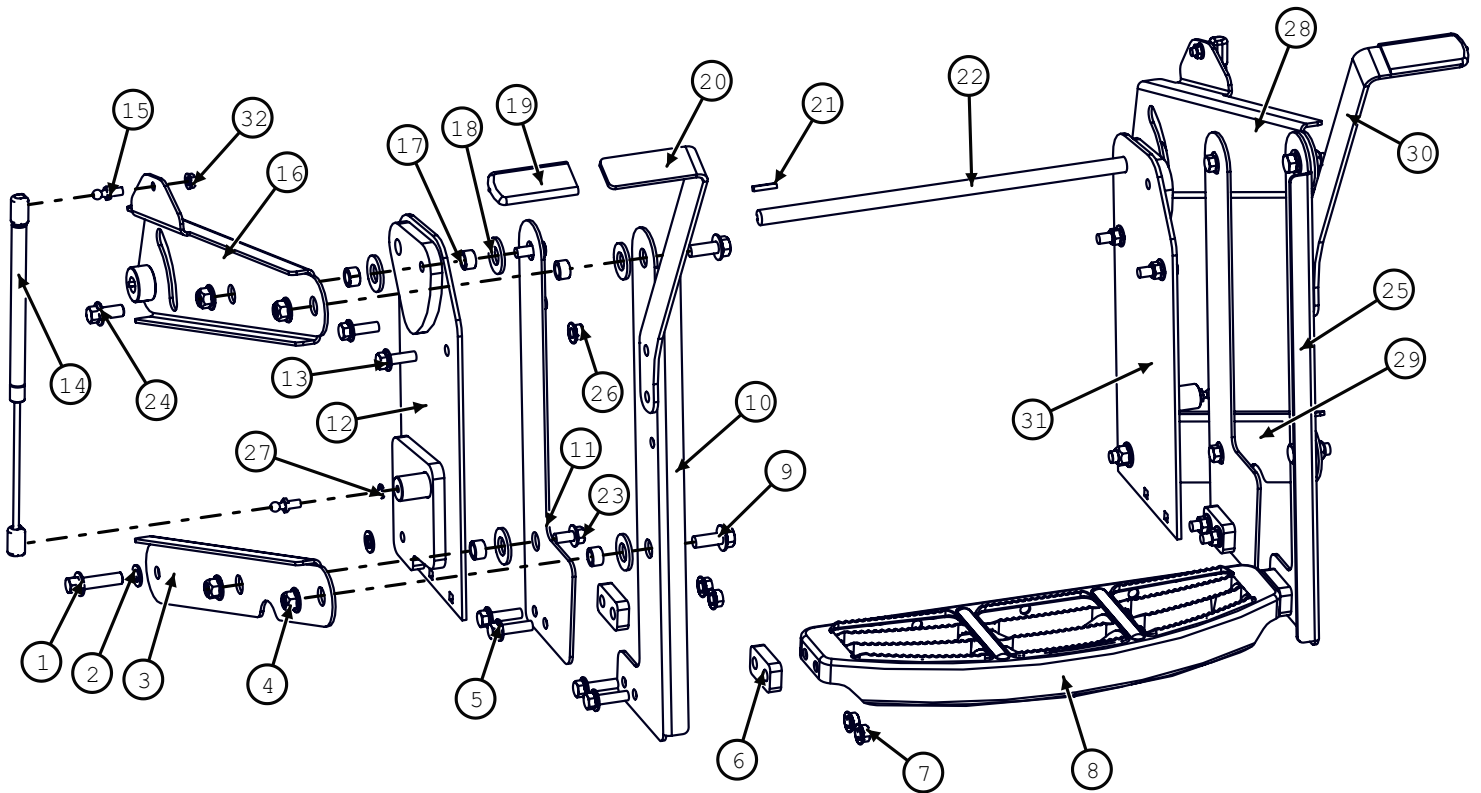
John Deere Header Lift Manifold Fittings			
BOM ID	Part No.	Qty	Description
1	1006.06.06	1	ELBOW, 90°, -6FF x -6MF
2	1006.12.12	1	ELBOW, 90°, -12MF x -12FF
3	1006.16.16	2	ELBOW, 90°, -16MF x -16FF
4	1008.16	1	TEE, SWIVEL NUT, RUN, #16
5	1008.20	1	TEE, SWIVEL NUT, RUN, #20
6	1008.06	1	TEE, SWIVEL NUT, RUN, -6FF x -6MF
7	1004.20.16	1	STR, -20FF x -16MF
8	1004.16.12	1	STR, 16FF x 12MF
9	1297821	1	MANIFOLD SPACER

Model JH9020 Hillco Leveling System
For Serial Numbers JH9020-18001 thru JH9020-18999

Hydraulic Hoses			
Part No.	Qty	Where Used	Description
1138942	1	Grease Hose	100R1-03,
1138951	1	Grease Hose	100R1-03, 40"
1138963	1	Grease Hose	100R1-03, 54"
1138974	2	Grease Hose	100R1-03, 77"
1152451	1	CONNECTS YELLOW PORT TO SLAVE CYL BASE PORT ON STOCK CM EQUIPPED COMBINES	100R17AR-04X80",
1152461	1	CONNECT C/M BLUE PORT TO ROD PORT ON STOCK CM EQUIPPED COMBINES	100R17AR-04X70",
1273461	2	Extend Steer Hoses	100R17AR-06X15",
1273462	2	Replaces AH223259; Connect Proportionator Case Drain to Transmission	100R17AR-08X62",
1274141	1	Reverse Hydro Hose	797TC-20 X 124",
1293431	2	Leveling Cylinder Cross Over	100R17AR-06X47",
1295602	2	Leveling Manifold to Leveling Cyl	100R17AR-10X103",
1295882	1	Connects Master Cyl to Slave Cyl	451TC, 3/8" X 195"
1297441	1	Extends AH226085 to Proportionator Pump Supply	100R17AR-12X66",
1297452	1	Replaces AH219243; Connects Rear Filter Port to Proportionator Motor Return	100R17AR-10X127",
1297481	1	Extends AH226119 to the Trans Lube	100R17AR-06X31",
1297641	1	Extends Right Brake Hose	100R17AR-06X78",
1297651	1	Extends Left Brake Line; Extends Lube Line	100R17AR-06X60",
1297842	1	Return, Manifold to Tee	451TC, 3/4 X 60"
1297852	1	Pressure, Manifold to Tee	451TC-5/8" X 66"
1297863	1	Load Sense, Manifold to Tee	100R17AR-04X138",
1297922	1	Replaces JD Hose; Connects Manifold to Tee	100R17AR-12X91",
1297933	1	Replaces Left Header Lift Pressure Hose	451TC, 3/4" X 44",
1298291	1	Extends ProDrive Case Drain	100R17AR-16X36",
1298322	1	Replaces Right Header Lift Pressure Hose	451TC, 3/4"X42",
1298331	1	Replaces the Header Lift Pressure Hose	451TC, 1"X 90",
1299191	1	Extends JH Hose to Shift Block	100R17AR-04X15",
1305181	1	Replaces Forward Hydro Hose	797TC-20 121",
1320711	2	CONNECT "P" & "T" PORTS OF TRIM MANIFOLD TO JD MANIFOLD	100R17AR-06X38",
1320721	1	TRIM MANIFOLD LOAD SENSE TO JD HDR LIFT MANIFOLD	100R17AR-04X138",
1322101	1	CONNECTS "B" PORT TO SLAVE CYLINDER BASE PORT	100R17-04X80",
1322112	1	CONNECTS ROD PORT TO A PORT OF TRIM MANIFOLD	100R17-04 67",
1331391	1	Connects Master Cyl to Slave Cyl	451TC, 3/8" X 175"
1336991	2	CONNECT COUNTER BALANCE VALVE TO LEFT LEVELING CYLINDER	100R17-AR06 X 13",
1348501	1	EXTENDS PROPORTIONATOR MOTOR SUPPLY HOSE	100R17AR-08X60",

Model JH9020 Hillco Leveling System
For Serial Numbers JH9020-18001 thru JH9020-18999

RETRACTABLE LADDER

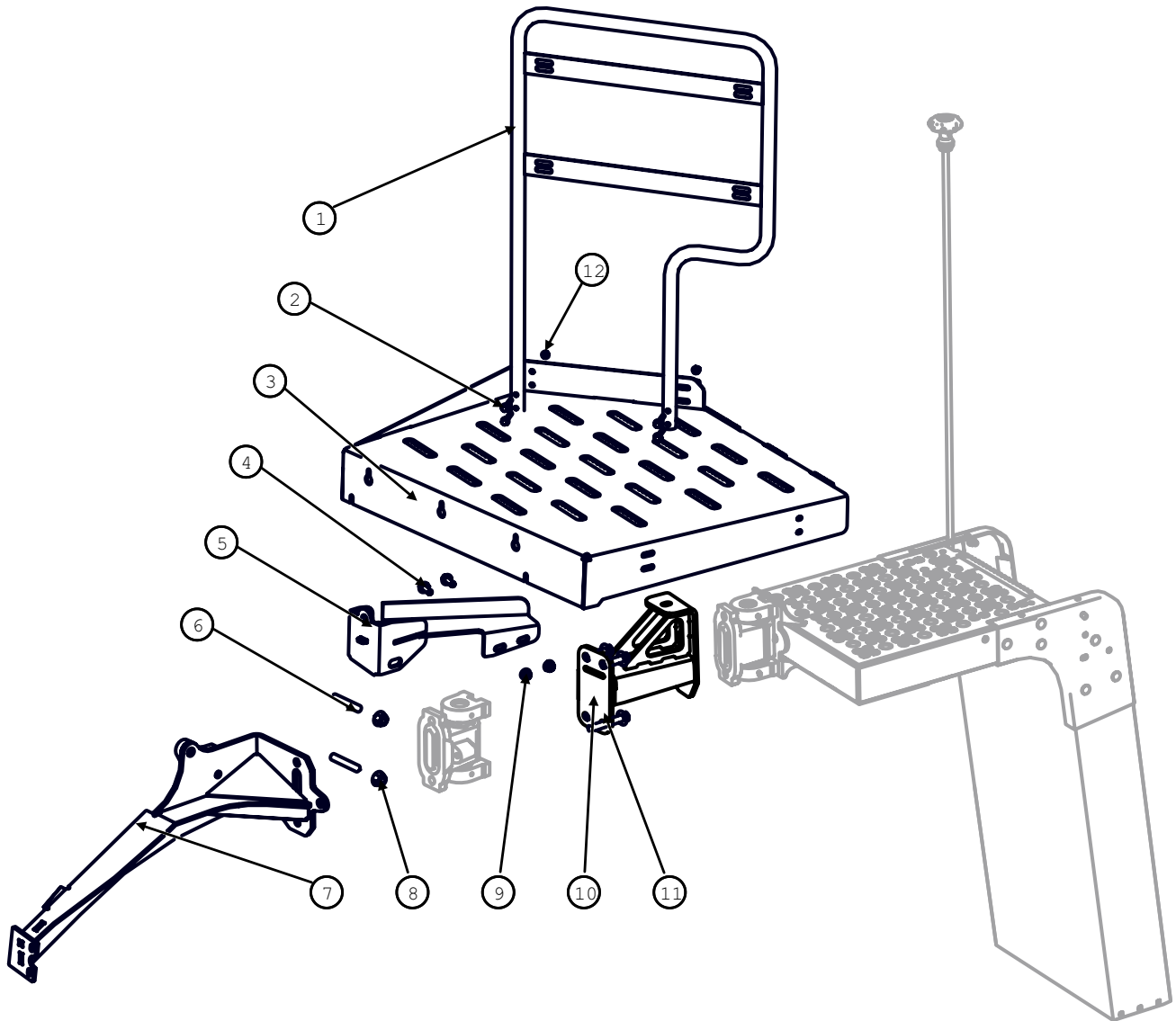


Model JH9020 Hillco Leveling System
For Serial Numbers JH9020-18001 thru JH9020-18999

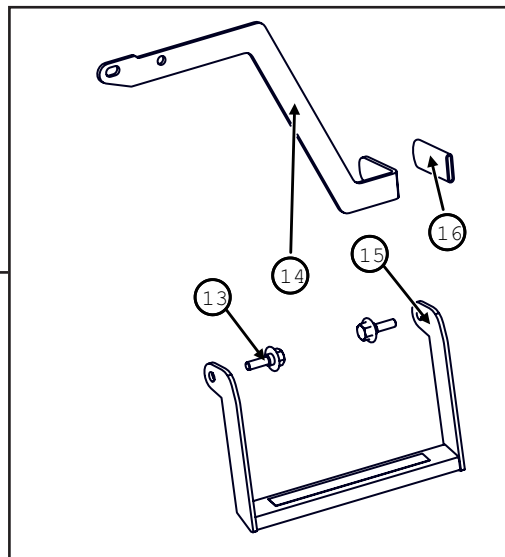
Retractable Ladder

BOM ID	Part No.	Qty	Description
1-32	P500971	1	ASSEMBLY, MOVING STEP (HILLSIDE)
1	122.012.045	2	FLHC-10.9M12X1.75X45
2	162.014.008	4	MACHINE BUSHING 14GA NR 1/2ID
3	1329802	1	LM LINK, LWR RIGHT PARALLEL
4	128.012	10	FLHN-10.9M12X1.75 STVR
5	122.010.035	8	SCREW, FLANGED HEX CAP, 10.9
6	1300191	4	LM SPACER, STEP
7	123.010	12	FLHN-10.9 M10 X 1.50
8	152601	1	STEP, PLATFORM, STEP (HXE19816)
9	122.012.030	4	FLHC-10.9 M12X1.75X30
10	1330281	1	LM PLT, VERTICAL OUTER RIGHT
11	1300112	2	LM LINK, VERTICAL INNER
12	1300061	1	LM WLD, RHT LADDER MNT
13	122.010.030	4	FLHC 10.9 M10 X 1.5 X 30
14	155327	2	STRUT, LIFT, 100LB, 15OPC, 6" STROKE
15	134931	4	LIFT SUPPORT BRACKETS (PAIR)
16	1329781	1	LM WLD, TOP RIGHT LINK
17	1299181	10	LM BUSHING, LADDER PIVOT
18	153.010.012	10	MACHINE BUSHING 10GA WR 3/4ID
19	151921	2	GRIP, JD#W25634
20	1306352	1	LM PLT, HANDLE, LEFT
NS	1316512	1	LM PLT, HANDLE, LEFT - SHORT
21	10049.03.00016	2	KEY, STR, 3/16 X 3/16 X 1
22	1298191	1	LM RND, ROCK SHAFT
23	122.012.030	4	FLHC-10.9M10X1.75X20
24	122.012.025	2	FLHC-10.9M12X1.75X25
25	1330291	1	LM PLT, VERTICAL OUTER LEFT
26	123.010	4	FLHN-10.9M10X1.5 STVR
27	136.005	2	LOCK WASHER 5/16"
28	1329851	1	LM WLD, TOP LEFT LINK
29	1329812	1	LM LINK, LWR LEFT PARALLEL
30	1300183	1	LM PLT, LADDER HANDLE RIGHT
NS	1316502	1	LM PLT, HANDLE, RIGHT - SHORT
31	1300051	1	LM WLD, LEFT LADDER MNT
32	119.005	2	FLHN 5/16-18

Ladder Wedge & Service Ladder Extension



Engine Deck Service Step

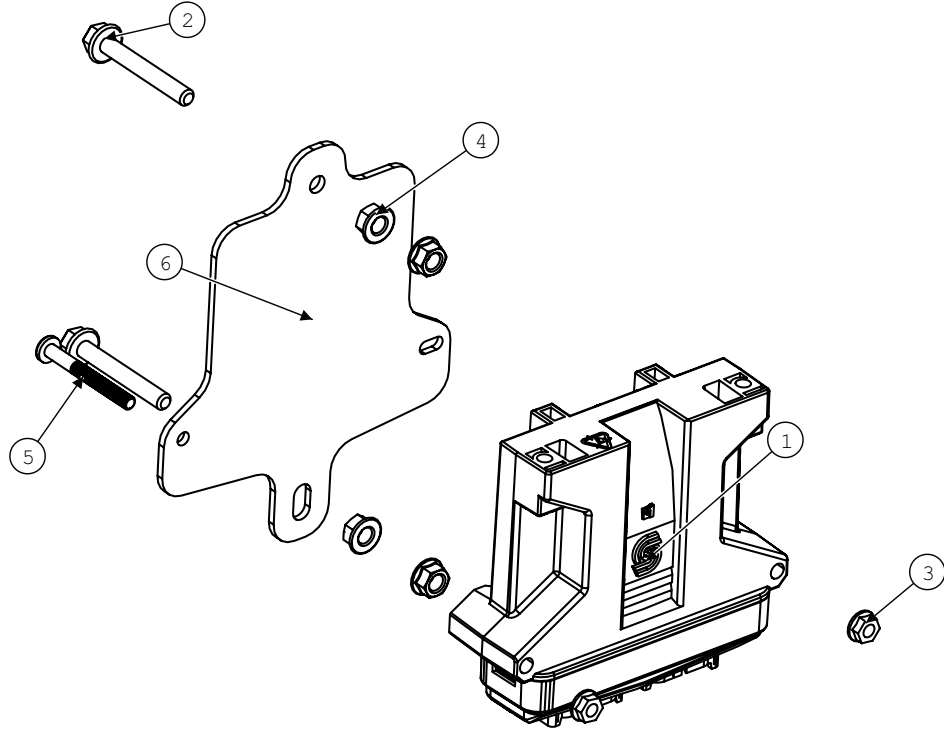


Model JH9020 Hillco Leveling System
For Serial Numbers JH9020-18001 thru JH9020-18999

Ladder Wedge

BOM ID	Part No.	Qty	Description
1	1346971	1	HANDRAIL 700SERIES
2	122.008.050	4	M8X50
3	1343161	1	PLATFORM, DUAL TIRE
4	122.012.035	2	M12X35
5	1343141	1	PIVOT LOCKOUT
6	155.016.090	2	STUD, DOUBLE-10.9
7	1342721	1	INNER PLATFORM BEAM
8	128.016	2	M16x2.0
9	123.012	2	NUT,HX,FL,CL10 M12
10	1343091	1	10" PIVOT EXTENSION
11	122.016.060	3	M16X60
12	123.008	4	M8x1.25
Engine Deck Service Step			
13-16	1340581	1	SERVICE LADDER EXTENSION
13	1348281	2	SERVICE LADDER HINGE
14	1340591	1	HANDLE, SERVICE LADDER EXTENSION
15	1340571	1	SERVICE LADDER EXTENSION
16	151921	1	GRIP

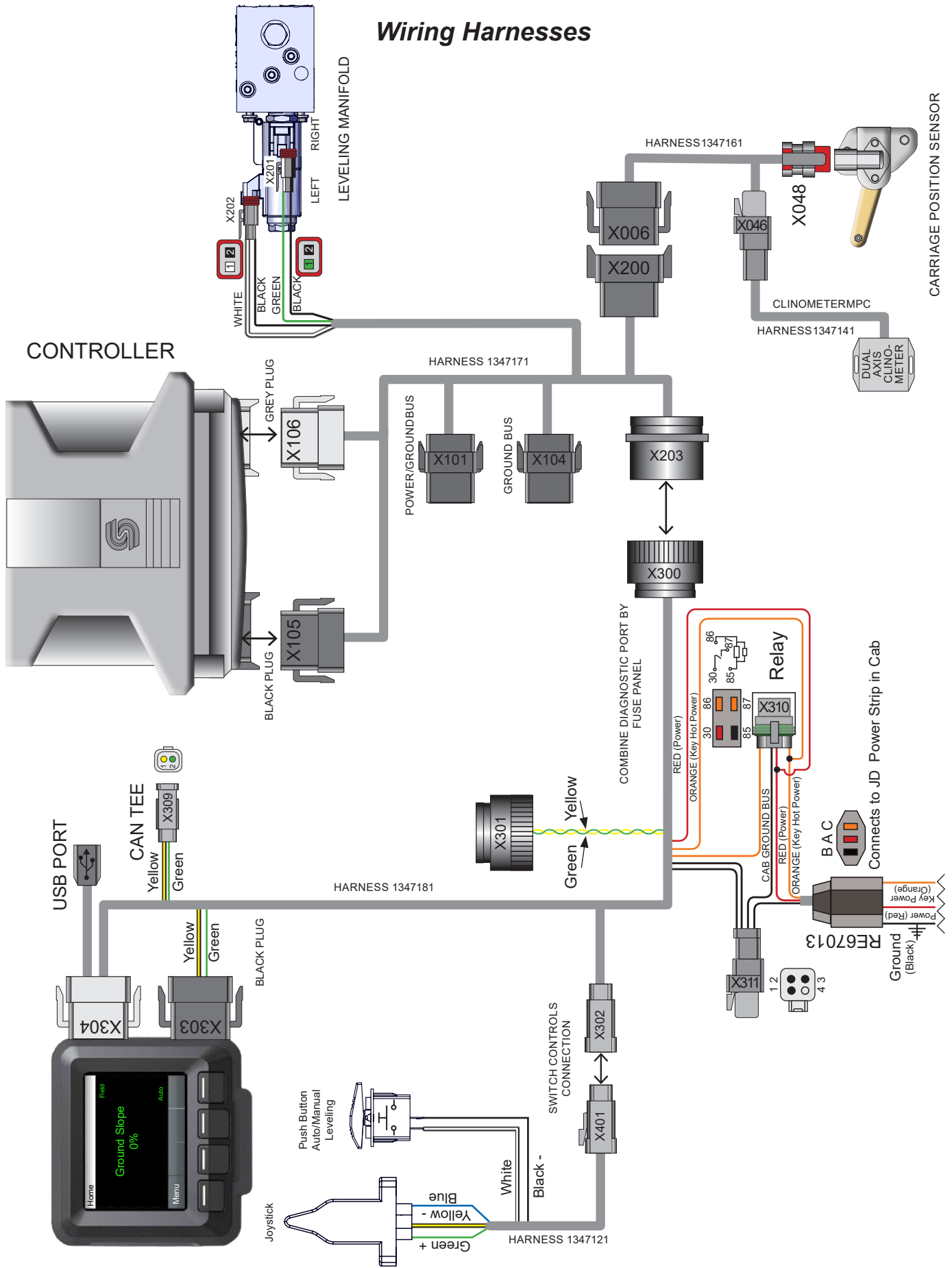
Controller Harnesses



Electrical Components			
BOM ID	Part No.	Qty	Description
1	155713	1	CONTROLLER, DANFOSS PLUS 1-24 PIN, PROGRAM 1346642
2	122.008.060	2	FLHC-M08X1.25X60
3	119.004	2	PHMS-GR5-1/4-20 X 2-1/4"
4	123.008	4	FLHN 10.9 M8 X 1.25
5	114.004.036	2	SCREW,PHM,CH,SERR
6	1295201	1	EM PLT, CONTROLLER MNT

Model JH9020 Hillco Leveling System
 For Serial Numbers JH9020-18001 thru JH9020-18999

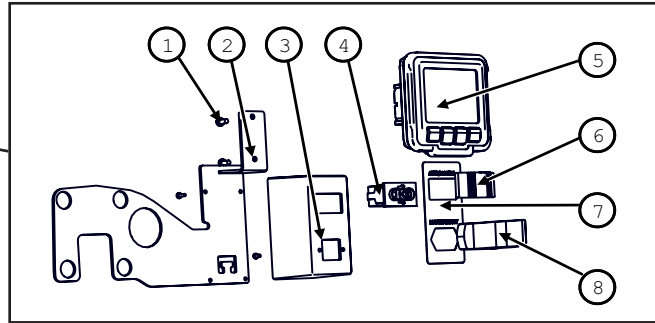
Wiring Harnesses



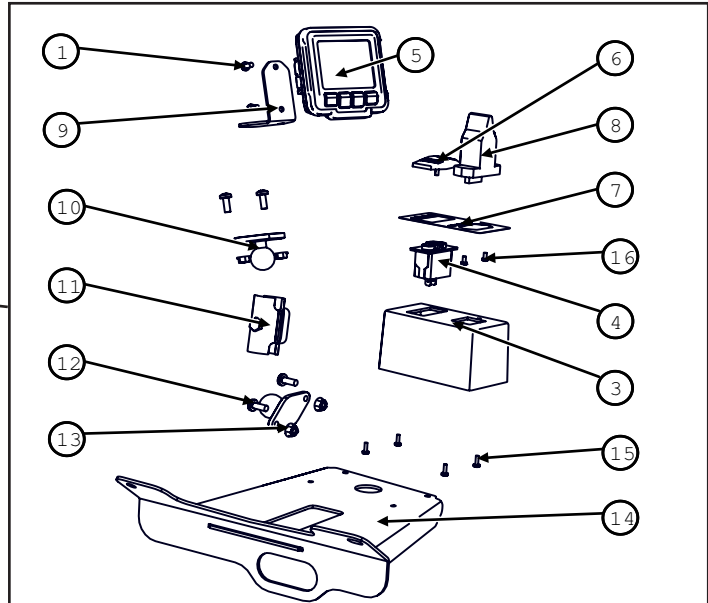
Model JH9020 Hillco Leveling System
For Serial Numbers JH9020-18001 thru JH9020-18999

Monitor

S700 SERIES



S600 SERIES



Electrical Components

BOM ID	Part No.	Qty	Description
1	171.005.010	2	SCREW,PHM,CH M5X10
2	1347231	1	MOUNT, 700 SERIES LEVELER CONTROLS
3	1346991	1	BOX, SWITCH MOUNT
4	155785	1	SWITCH, SPST MOMENTARY
5	155685	1	DISPLAY, CC PILOT, 3.5" VI, 16MB PROGRAM 1347422 FOR S600 COMBINES PROGRAM 1347132 FOR S700 COMBINES
6	EC-149581	1	CONTURA BLACK ACTUATOR WAYTEK 44361
7	155796	1	DECAL, SWITCH BOX, LEVELING SYSTEM
8	155784	1	JOYSTICK, SINGLE AXIS
9	1347581	1	DISPLAY MOUNT
10	153851	2	RAM 2-7/16" X 1-5/16" BASE W/ 1" BALL
11	153871	1	RAM, DBL SOCKET ARM FOR 1" BALL, 2" SOCKET TO SOCKET LENGTH
12	171.006.016	4	SCREW,PHM,CH M6X16
13	123.006	4	M6 X 1.0
14	1347561	1	MONITOR MOUNT, S
15	114.#06.006	4	SCREW,PHM,CH 6-32X3/8
16	171.003.006	2	SCREW,PHM,CH M3X6

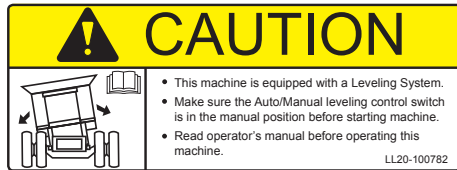
Decals and Literature



1) LL-133741



2) LL-151041



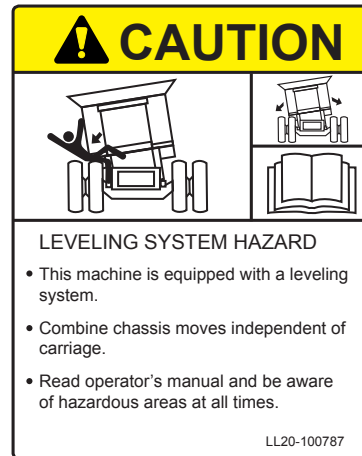
3) LL20-100782



5) LL20-100784



4) LL20-100783



7) LL20-100787



6) LL20-100786



8) LL20-100788



9) LL-143621

Model JH9020 Hillco Leveling System
For Serial Numbers JH9020-18001 thru JH9020-18999

DECALS AND LITERATURE				
REF.	PART NO.	QTY.	PART NAME	DESCRIPTION
1	LL-133741	1	LABEL, GREASE 50 HRS	OC BULKHEAD
2	LL-133741	2	LABEL, GREASE 50 HRS	RIGHT & LEFT MAIN LEV CYL BOTTOM
1	LL-133741	1	LABEL, GREASE 50 HRS	MASTER CYLINDER ROD
2	LL-151041	2	DECAL, HILLSIDE LEVELING SYSTEM	SIDE OF COMBINE
3	LL20-100782	1	CAUTION LEVELING SYSTEM CAB	WINDOW IN CAB
4	LL20-100783	2	DANGER, CRUSHING HAZARD	RIGHT & LEFT UNDERCARRIAGE
4	LL20-100783	2	DANGER, CRUSHING HAZARD	SIDES OF DROP AXLE ASSEMBLY
5	LL20-100784	2	DECAL, DANGER PINCH POINT	RIGHT & LEFT UPPER TRANS FACE PLT
6	LL20-100786	1	WARNING ELECTRICAL CRUSHING HAZARD	FRONT OF ELECTRICAL CONTROL BOX
7	LL20-100787	1	CAUTION - LEVELING SYSTEM HAZARD	ON LADDER PLATFORM
8	LL20-100788	1	DANGER - HYDRAULIC HAZARD	ON SIDE OF COMBINE ABOVE THE HYDRAULIC MANIFOLD
8	LL20-100788	2	DANGER - HYDRAULIC HAZARD	FOR EACH LEVELING CYLINDER
9	LL-143621	2	DANGER, AVOID CRUSHING INJURY	IN AREA NEAR SAFETY STOP STORAGE LOCATION
NS	LL-147651	1	LABEL, FEMA MEMBER TAG	NEAR SERIAL NUMBER TAG
NS	LA-255961	1	TAG, SERIAL NUMBER	
NS	LL-289641	1	CM LABEL, MECHANICAL CYLINDER STOP	
NS	D-120613CMA01D	1	MANUAL, PARTS	
NS	D-120427MCA01C	1	MANUAL, OPERATORS	SN 16001-16999
NS	D-050611SLR01	1	WARRANTY REGISTRATION CARD	
NS	LL-239412	1	LABEL, STEERING WHEEL	TIED TO STEERING WHEEL DURING INSTALLATION
NS	D-120412CMA01	3	DEALER PDI & INSTALL CHECKLIST	

Model JH9020 Hillco Leveling System
For Serial Numbers JH9020-18001 thru JH9020-18999

Notes

Hillco Technologies, Inc.
107 1st Avenue
Nezperce, Idaho 83543

Phone	800-937-2461
	208-937-2461
Fax	208-937-2280

www.hillcotechnologies.com
email: support@hillcotechnologies.com