

# **Model HC1010 48', 60', 72', & 84' 16 Bar Harrow & Cart Parts Manual**

SN HC1010-22001 thru HC1010-22999

D-180315CMA01B

# Table of Contents

<b>General Information</b>	<b>3</b>
Serial Number Location	3
Text and Illustrations	3
Abbreviations	3
Right and left Identification	3
Part Orders	3
<b>Hitch</b>	<b>4</b>
<b>Center Frame - Wheels</b>	<b>5</b>
<b>Wing Pull Latches</b>	<b>6</b>
Left Wing Pull Latch	6
Right Wing Pull Latch	8
<b>Center Beam</b>	<b>10</b>
<b>Wing Crosses</b>	<b>12</b>
Left Wing Cross	12
Right Wing Cross	13
<b>Wing Pull Pivot</b>	<b>14</b>
Left Pull Pivot	14
Right Pull Pivot	15
<b>Wing Wheels</b>	<b>16</b>
Left Wing Wheel	16
Right Wing Wheel	18
<b>Wing Extension</b>	<b>20</b>
<b>Frame, Wings and Pulls</b>	<b>21</b>
48' & 60'	21
72' & 84'	22
<b>Harrow Hangers &amp; Pulls</b>	<b>23</b>
<b>Lift Tubes</b>	<b>24</b>
<b>Harrow</b>	<b>25</b>
Sections	25
Harrow Bars	26
Connecting Links and Spikes	27
Harrow Hanger Connectors	28
<b>Hydraulics - Wing Up</b>	<b>29</b>
<b>Hydraulics - Pivoting Wing Wheels</b>	<b>30</b>
<b>Electrical</b>	<b>31</b>
<b>Decals</b>	<b>32</b>

## Contact Information

Hillco Technologies, Inc.  
1010 1st Avenue  
Nezperce, Idaho 83543

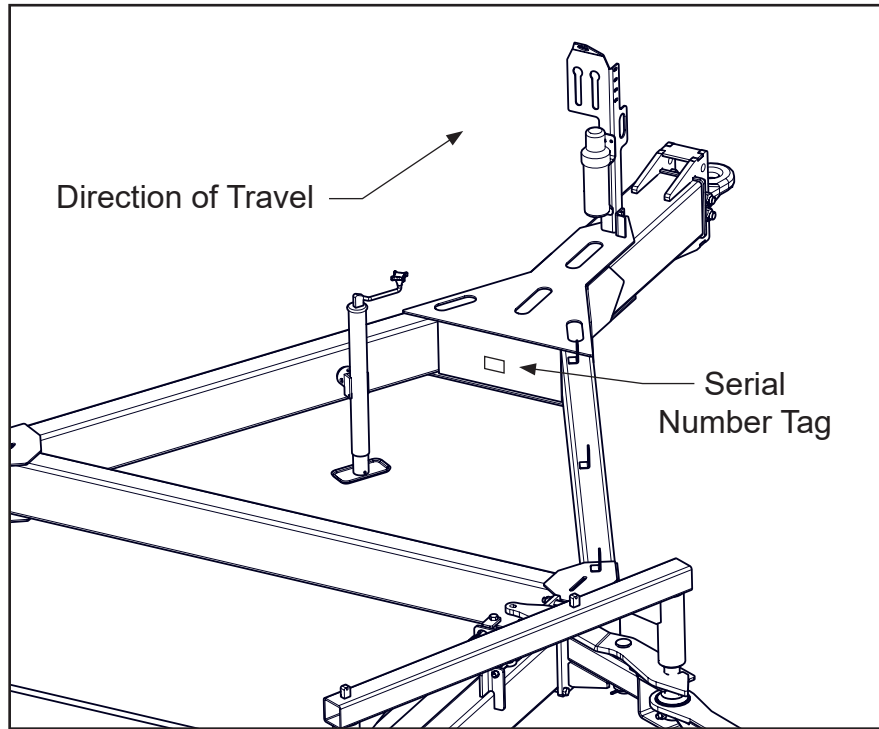
[www.hillcotechnologies.com](http://www.hillcotechnologies.com)

email: [support@hillcotechnologies.com](mailto:support@hillcotechnologies.com)

Phone 800-937-2461  
208-937-2461  
Fax 208-937-2280

## **GENERAL INFORMATION**

### **SERIAL NUMBER LOCATION**



### **TEXT AND ILLUSTRATIONS**

The arrangement of this parts catalog is for easy identification of parts. All parts are illustrated in exploded views in proper relation to each other. Some diagrams refer to other pages for further information. Reference numbers used in the illustrations refer to line numbers in the part lists. The part lists appear to the right or below all diagrams and correspond with those diagrams. Included in the part lists, along with the reference numbers are part numbers, part descriptions and the quantity of the part required per leveling system.

### **ABBREVIATIONS**

**SN** "Serial Number" refers to the serial number given to each leveling system (by Hillco Technologies), as well as the serial number given to the combine (by the specific combine manufacturer) the leveling system is installed. See above for the leveling system's serial number location. This abbreviation is used interchangeably in both instances. Each Model HC1010 Leveling System uses the following serial number format: HC1010-XXXXX (sequential numbers).

**ASM** "Assembly" refers to a whole grouping of parts (shown in the diagram corresponding with the page where "ASM" is shown unless otherwise noted). Some assemblies have parts that are sold separately, however some must be purchased as a single unit. Hillco Product Specialists will be able to assist you with any questions.

**NS** "Not Shown" refers to a part that is not depicted in the illustration.

### **RIGHT AND LEFT IDENTIFICATION**

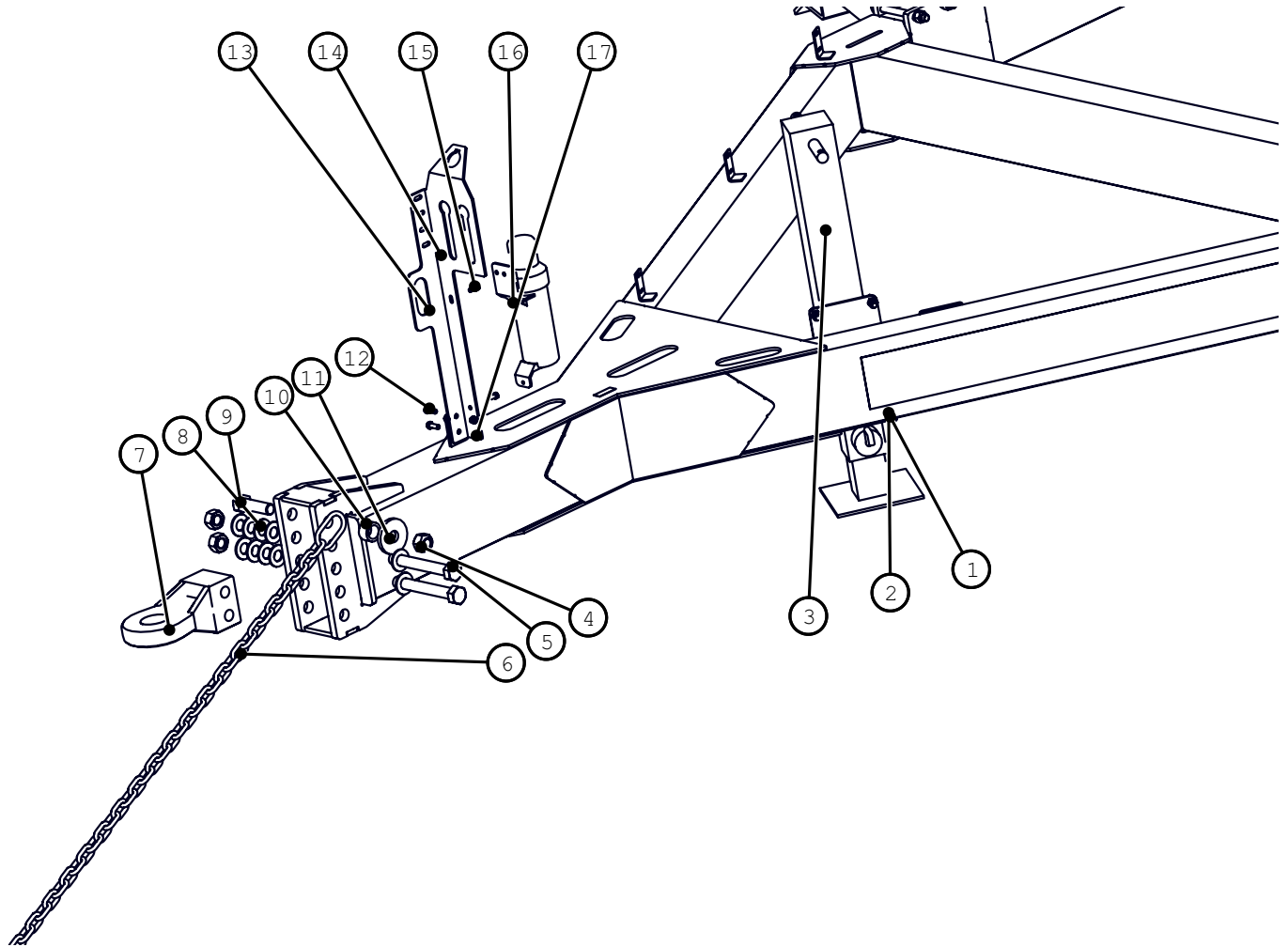
The reference to right-hand and left-hand in this catalog is identified by the operator sitting in the operator's seat, looking toward the front of the machine (in normal forward travel).

### **PART ORDERS**

Orders must specify product model, serial number, correct part number, complete description, quantity required, method of shipment, shipping address, and billing address.

Model HC1010 16 Bar Harrow & Cart  
 For Serial Numbers HC1010-22001 thru HC1010-22999

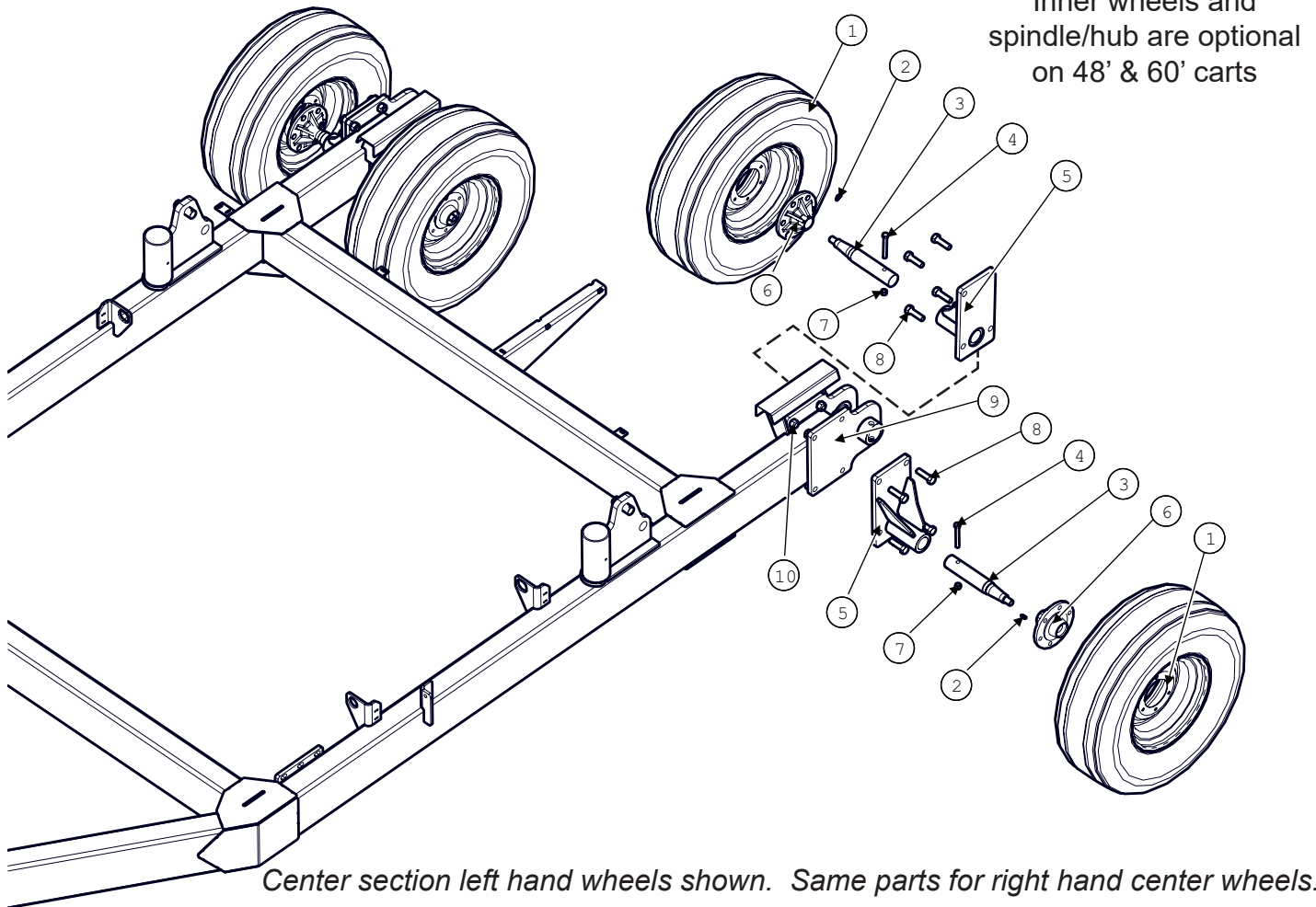
**Hitch**



BOM ID	Part No.	Qty	Description
1	188.008	3	NUT,HX,STV,GR8 1/2
2	102.008.024	4	BOLT,HX,GR8 1/2-13X1-1/2
3	155959	1	12000 LB TRILER JACK, WELD ON
4	188.016	3	NUT,HX,STV,GR8 1-8
5	102.016.144	2	BOLT,HX,GR8 1-8X9
6	155670	1	0.375 GRADE 70 CHAIN
7	155661	1	HITCH, IMPLEMENT, CAT4,
8	133.016	10	1"
9	102.016.056	1	BOLT,HX,GR8 1-8X3-1/2
10	10160.04.00018	1	TM,A513,DOM 1-3/4ODX1/4WX1-1/8
11	1340441	1	RETAINER WASHER, SAFETY CHAIN
12	102.006.016	1	BOLT,HX,GR8 3/8-16X1
13	119.005	1	NUT,HX,FL,SERR 5/16-18
14	1340242	1	HOSE STOW
15	102.005.012	1	BOLT,HX,GR8 5/16-18X3/4
16	155755	1	12"x 3-1/4OD MANUAL STORAGE
17	188.006	1	NUT,HX,STV,GR5,3/8-16

Model HC1010 16 Bar Harrow & Cart  
 For Serial Numbers HC1010-22001 thru HC1010-22999

**Center Frame - Wheels**

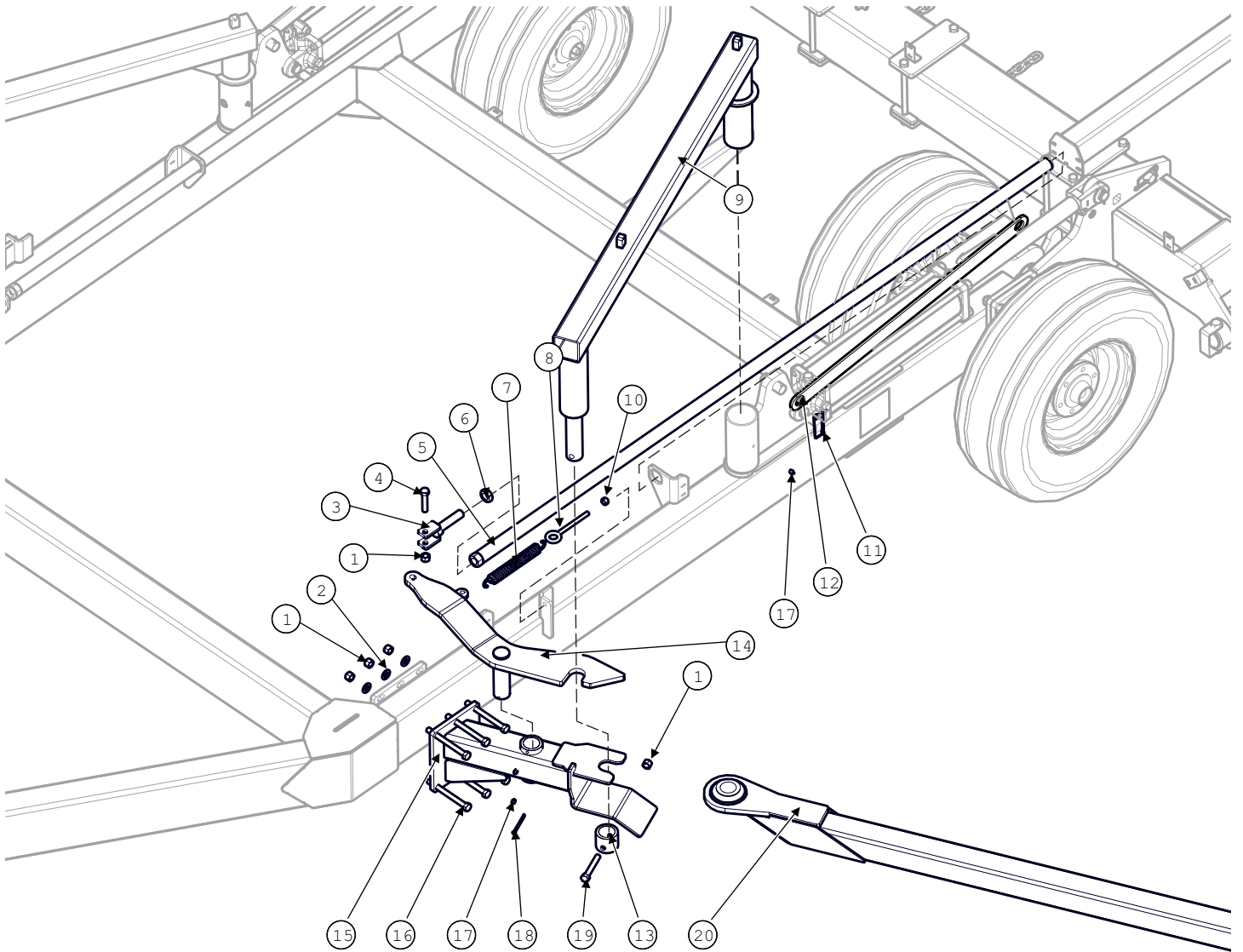


Inner wheels and spindle/hub are optional on 48' & 60' carts

Center section left hand wheels shown. Same parts for right hand center wheels.

BOM ID	Part No.	Qty	Description
1	155657	2-4	WHEEL, ASSY, IF280/70R15.128A8 AD2 W/15X8
2	155816	4	ZERK. GREASE 1/8 MPT 90 DEG
3	1340321	4	SPINDLE
4	102.008.064	4	BOLT.HX.GR8 1/2-13X4
5	1339421	4	SPINDLE MOUNT, CART
6	155655	4	HUB, 6 ON 6, 4.62 PILOT, 4570#, 783
*NS	153041	4	HUB. WHEEL
*NS	155836	4	CUP, TAPERED ROLLER BEARING, LM501310 (Timken)
*NS	154651	4	BEARING WHEEL, OUTER LM501349 (Timken)
*NS	155837	4	CUP, TAPERED ROLLER BEARING, LM67010 (Timken)
*NS	154661	4	BEARING WHEEL HUB, INNER LM67048 (Timken)
*NS	154681	4	SEAL CASTER HUB (CR/SKF)
*NS	154691	24	BOLT LUG, CASTER, HUB
7	188.008	4	NUT,HX,STV,GR8 1/2
8	102.012.040	16	BOLT.HX.GR8 3/4" -10 X 2-1/2"
9	1338892	1	CART FRAME
10	188.012	16	NUT,HX,STV,GR8 3/4"

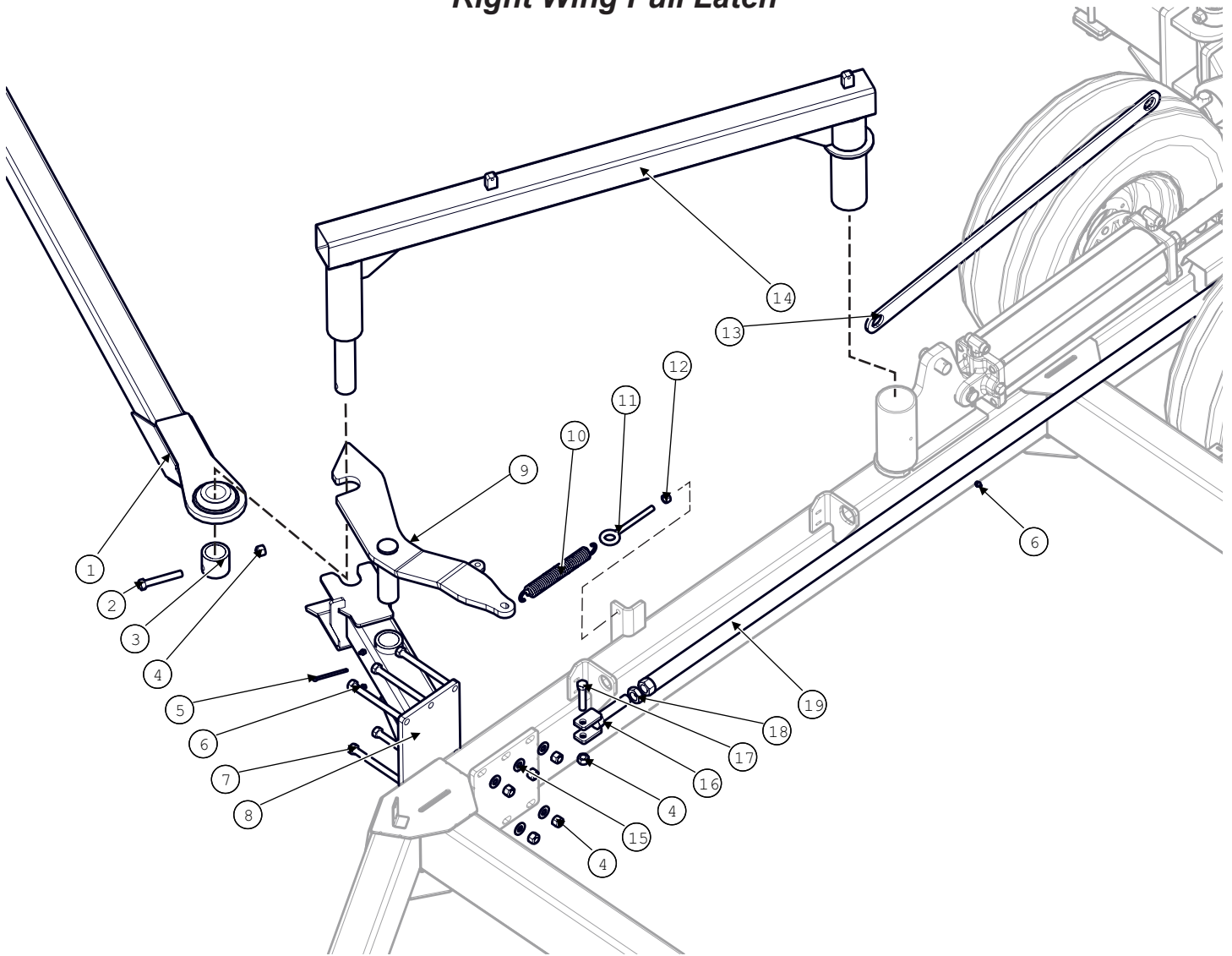
### Left Wing Pull Latch



Model HC1010 16 Bar Harrow & Cart  
For Serial Numbers HC1010-22001 thru HC1010-22999

BOM ID	Part No.	Qty	Description
1	188.010	8	NUT,HX,STV,GR8 5/8
2	133.010	6	WASHER,L9,HD 5/8
3	1344191	1	CLEVIS, PUSHROD
4	102.010.048	1	BOLT,HX,GR8 5/8" - 11 X 3"
5	1376411	1	PUSHROD, LATCH RELEASE
6	174.016	1	NUT,HX,JAM,GR5 1-8
7	155730	1	SPRING, EXTENSION, 1.312"OD, .225" WIRE DIA, 10.3" FREE LENGTH
8	110.008.080	1	BOLT,EYE 1/2" -13 X 5"
9	1338852	1	SUPPORT ARM
10	188.008	1	NUT,HX,STV,GR8 1/2
11	146.004.048	1	PIN,SNAP,LCK 1/4X3
12	1338902	1	SAFETY STRAP
13	1356481	1	COLLAR, LATCH PIN
14	1356582	1	LATCH PLATE, LEFT
15	1356562	1	LATCH MOUNT, LEFT
16	102.010.104	6	BOLT,HX,GR8 5/8" -11 X 6-1/2"
17	133891	3	ZERK, GREASE, 1/8
18	142.004.048	1	COTTER KEY 1/4" x 3"
19	102.010.064	1	BOLT,HX,GR8 5/8" -11 X 4"
20	1339611	1	PULL ARM (72' & 84')
20	1348641	1	PULL ARM (48' & 60')

### Right Wing Pull Latch

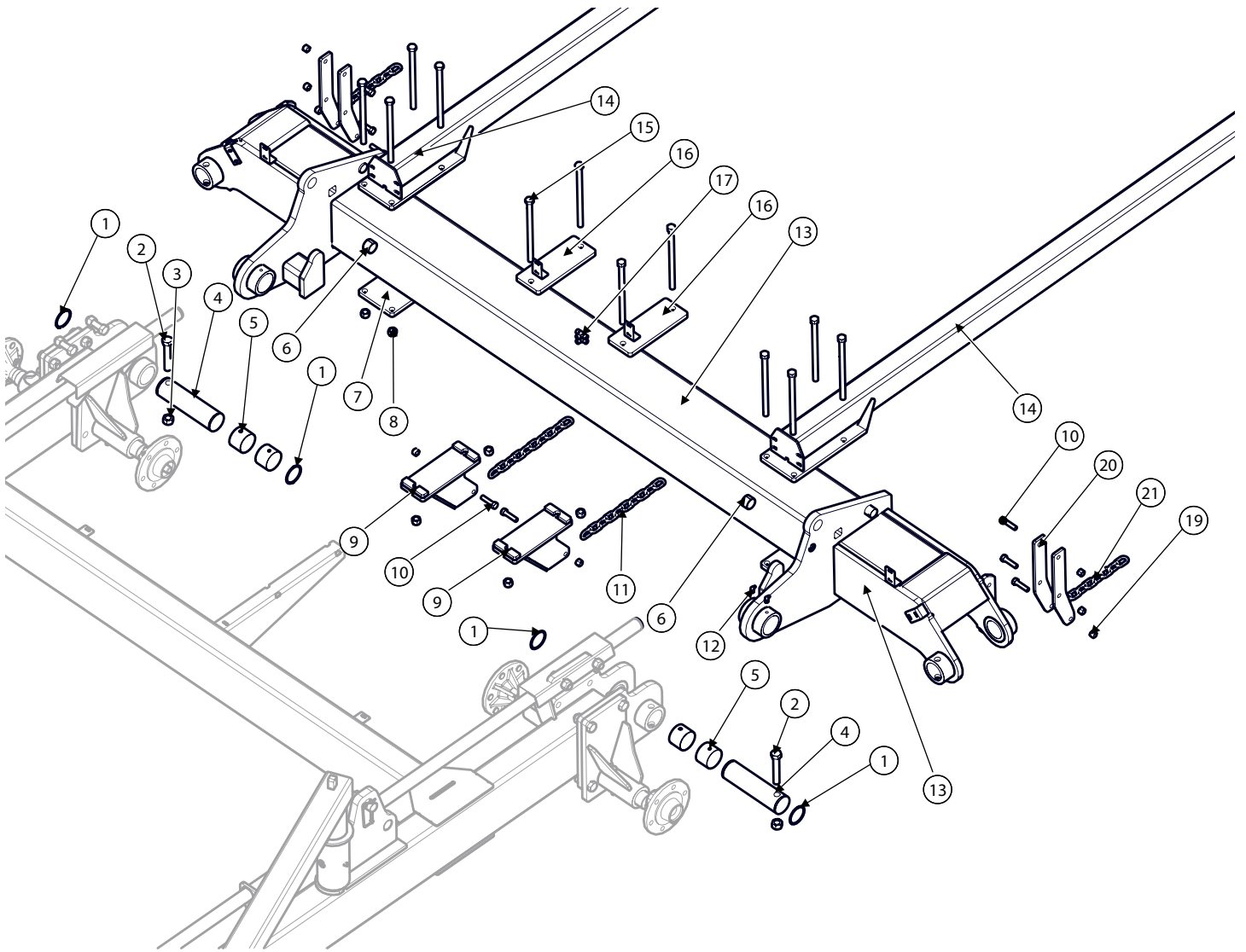




Model HC1010 16 Bar Harrow & Cart  
For Serial Numbers HC1010-22001 thru HC1010-22999

<b>BOM ID</b>	<b>Part No.</b>	<b>Qty</b>	<b>Description</b>
1	1339611	1	PULL ARM (72' & 84')
1	1348641	1	PULL ARM (48' & 60')
2	102.010.064	1	BOLT,HX,GR8 5/8" -11 X 4"
3	1356481	1	COLLAR, LATCH PIN
4	188.010	8	NUT,HX,STV,GR8 5/8
5	142.004.048	1	COTTER KEY 1/4" x 3"
6	133891	3	ZERK, GREASE, 1/8
7	102.010.104	6	BOLT,HX,GR8 5/8" -11 X 6-1/2"
8	1344441	1	LATCH MOUNT, RIGHT
9	1356592	1	LATCH PLATE, RIGHT
10	155730	1	SPRING, EXTENSION, 1.312"OD, .225" WIRE DIA, 10.3" FREE LENGTH
11	110.008.080	1	BOLT,EYE 1/2" -13 X 5"
12	188.008	1	NUT,HX,STV,GR8 1/2
13	1338902	1	SAFETY STRAP
14	1338852	1	SUPPORT ARM
15	133.010	6	WASHER,L9,HD 5/8
16	1344191	1	CLEVIS, PUSHROD
17	102.010.048	1	BOLT,HX,GR8 5/8" -11 X 3"
18	174.016	1	NUT,HX,JAM,GR5 1-8
19	1376641	1	PUSHROD, LATCH RELEASE

**Center Beam**

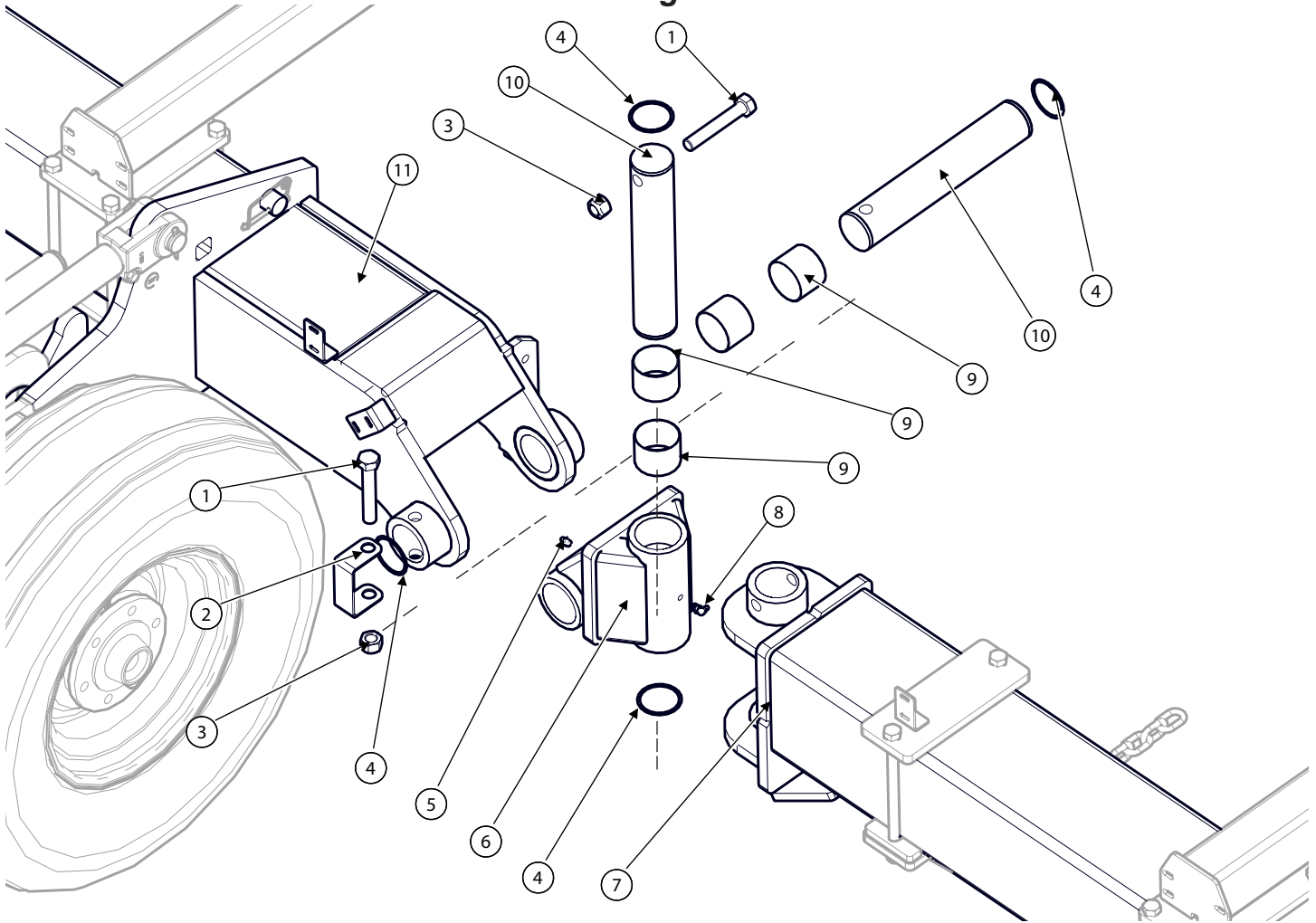


Model HC1010 16 Bar Harrow & Cart  
For Serial Numbers HC1010-22001 thru HC1010-22999

BOM ID	Part No.	Qty	Description
1	155727	5	RETAINING RING, EXTERNAL, FOR 2-1/2" DIA. SHAFT
2	102.012.072	2	BOLT,HX,GR8 3/4" -10 X 4-1/2"
3	188.012	2	NUT,HX,STV,GR8 3/4
4	1343981	2	PIVOT PIN, CENTER BEAM
5	1347411	4	PIVOT BUSHING, CENTER BEAM
6	155664	2	BUSHING, SPLIT TENSION, 1-1/4" ID,
7	1338372	2	MOUNT PLATE,
8	188.010	12	NUT,HX,STV,GR8 5/8-11
9	1338511	2	HARROW PULL
10	102.008.032	8	BOLT,HX,GR8 1/2" -13 X 2"
11	1340601	2	LIFT CHAIN, 10-LINK
12	138591	2	ZERK, GREASE 1/8 MPT 90DEG
13	1339022	1	CENTER BEAM (72' & 84')
14	1338404	2	LIFT ARM
15	102.010.160	12	BOLT,HX,GR8 5/8" -11 X 10"
16	1339041	2	CLAMP PLATE,
17	1018.04	2	UNION -4ORFS
19	188.008	8	NUT,HX,STV,GR8 1/2
20	1339632	4	PLATE, HINGE PULL
21	1340611	2	PULL CHAIN, 8-LINK

Model HC1010 16 Bar Harrow & Cart  
 For Serial Numbers HC1010-22001 thru HC1010-22999

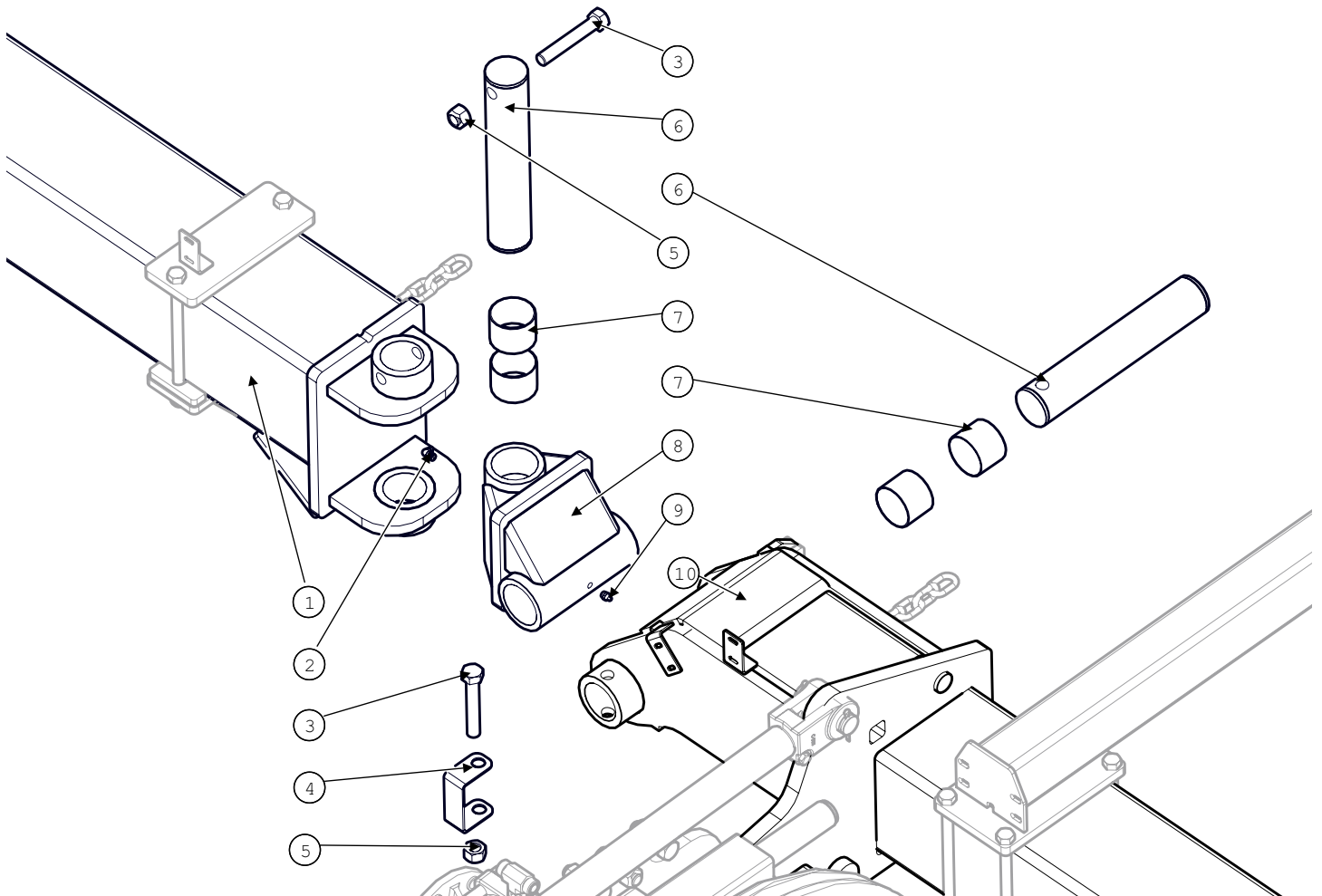
**Left Wing Cross**



BOM ID	Part No.	Qty	Description
1	102.012.072	2	BOLT,HX,GR8 3/4" -10 X 4-1/2"
2	1340662	1	HOSE GUIDE,
3	188.012	2	NUT,HX,STV,GR8 3/4
4	155727	4	RETAINING RING, EXTERNAL, FOR 2-1/2" DIA. SHAFT
5	133891	1	ZERK, GREASE, 1/8
6	1339501	1	CROSS (SN 18001-19004)
6	1353231	1	CROSS (SN 19005- )
7	1349301	1	WING TUBE 48' (SN 18001-19004)
7	1353311	1	WING TUBE 48' (SN 19005- )
7	1348631	1	WING TUBE 60' (SN 18001-19004)
7	1353321	1	WING TUBE 60' (SN 19005- )
7	1339522	1	WING TUBE 72 & 84' (SN 18001-19004)
7	1353331	1	WING TUBE 72 & 84' (SN 19005- )
8	138591	1	ZERK, GREASE 1/8 MPT 90DEG
9	155658	4	BUSHING, IGLIDE Q, 2-1/2" SHAFT,
10	1343971	2	PIVOT PIN, HINGE
11	1348621	1	CENTER BEAM (48' & 60')
11	1339022	1	CENTER BEAM (72' & 84')

Model HC1010 16 Bar Harrow & Cart  
 For Serial Numbers HC1010-22001 thru HC1010-22999

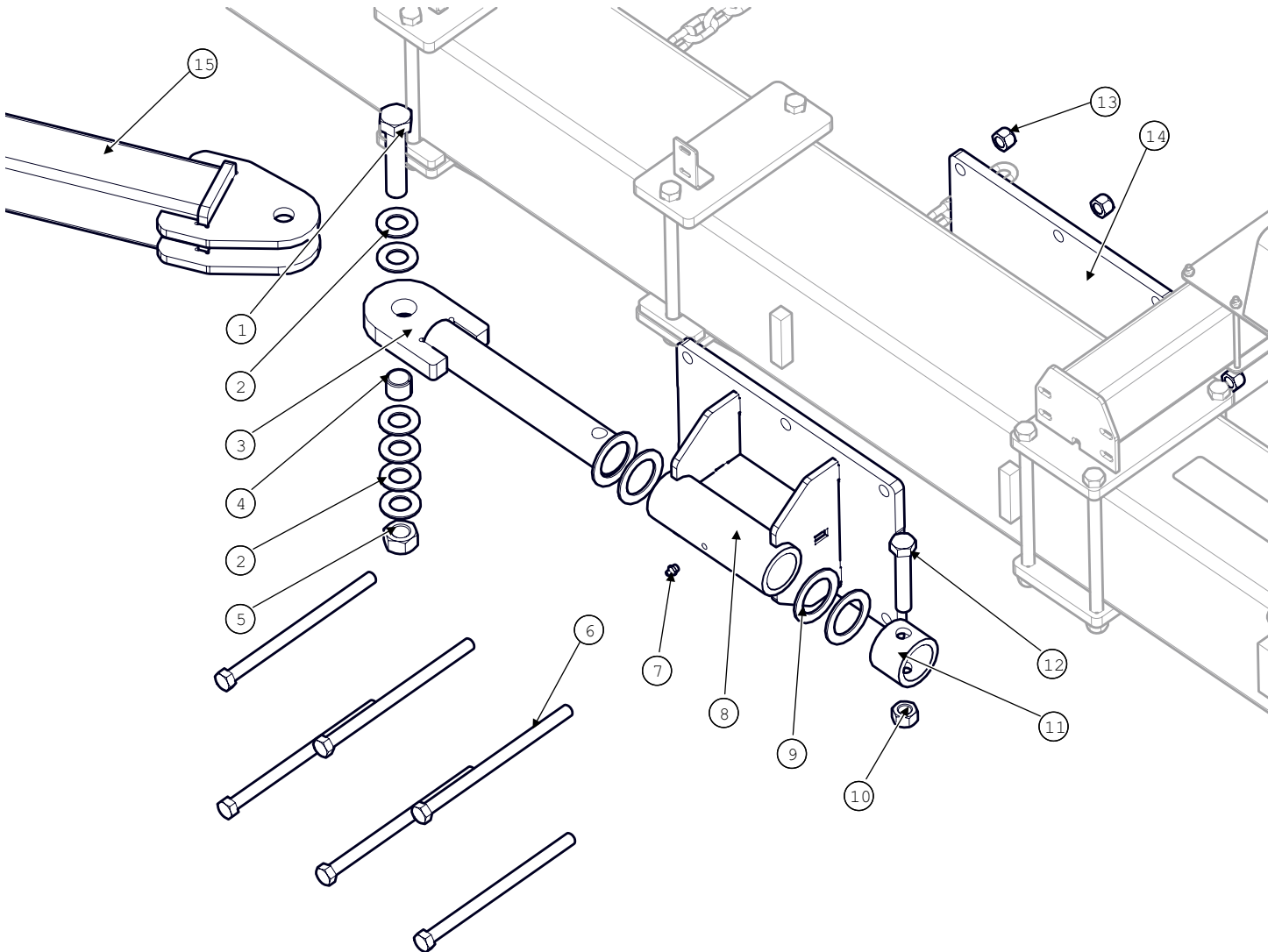
**Right Wing Cross**



BOM ID	Part No.	Qty	Description
1	1349301	1	WING TUBE 48' (SN 18001-19004)
1	1353311	1	WING TUBE 48' (SN 19005- )
1	1348631	1	WING TUBE 60' (SN 18001-19004)
1	1353321	1	WING TUBE 60' (SN 19005- )
1	1339522	1	WING TUBE 72 & 84' (SN 18001-19004)
1	1353331	1	WING TUBE 72 & 84' (SN 19005- )
2	138591	1	ZERK, GREASE 1/8 MPT 90DEG
3	102.012.072	2	BOLT,HX,GR8 3/4" -10 X 4-1/2"
4	1340662	1	HOSE GUIDE,
5	188.012	2	NUT,HX,STV,GR8 3/4
6	1343971	2	PIVOT PIN, HINGE
7	155658	4	BUSHING, IGLIDE Q, 2-1/2" SHAFT,
8	1339501	1	CROSS (SN 18001-19004)
8	1353231	1	CROSS (SN 19005- )
9	133891	1	ZERK, GREASE, 1/8
10	1339022	1	CENTER BEAM (48' & 60')
10	1348621	1	CENTER BEAM (72' & 84')

Model HC1010 16 Bar Harrow & Cart  
For Serial Numbers HC1010-22001 thru HC1010-22999

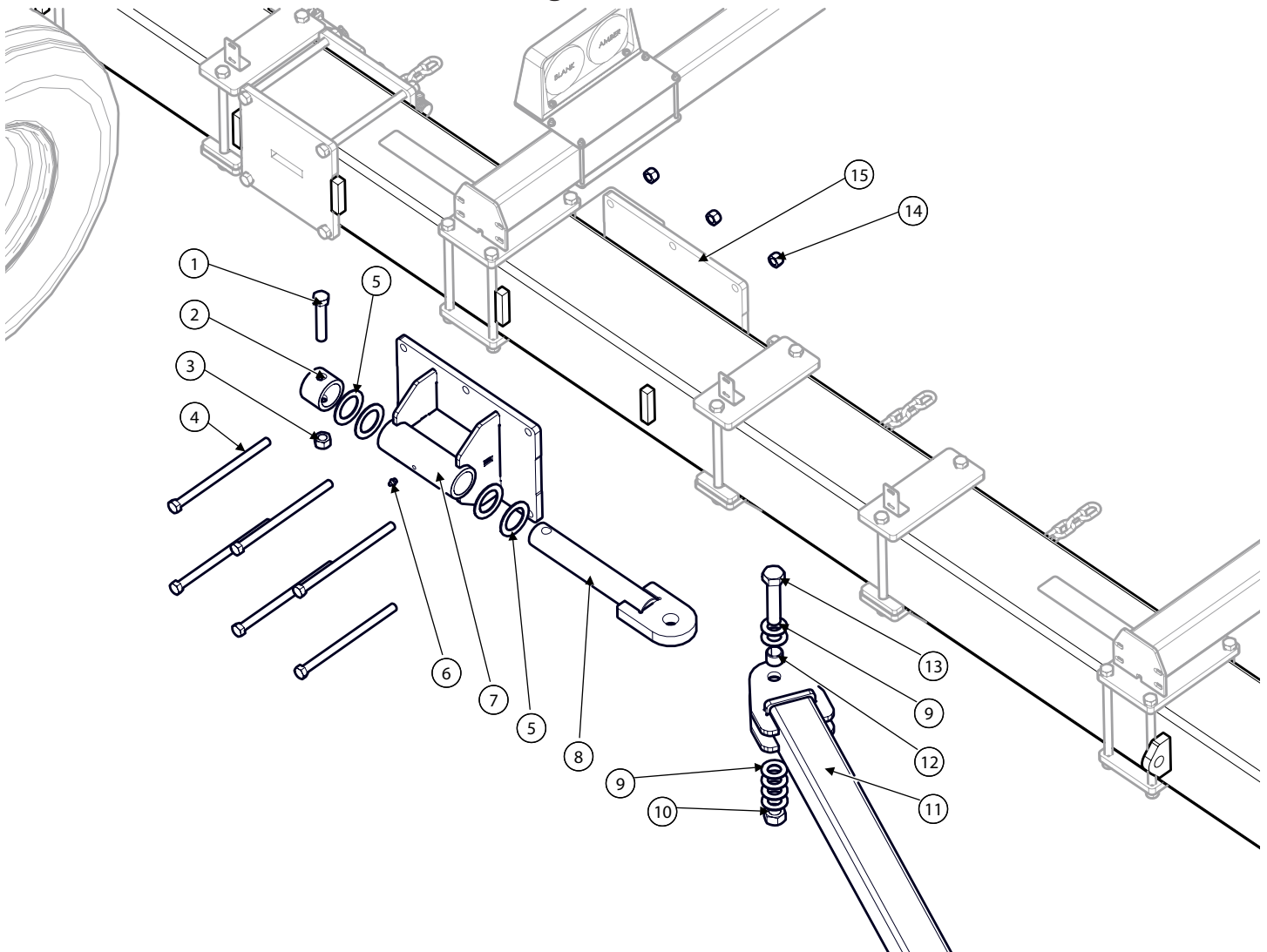
**Left Pull Pivot**



BOM ID	Part No.	Qty	Description
1	102.016.088	1	BOLT,HX,GR8 1" -8 X 5-1/2"
2	133.016	6	WASHER,L9,HD 1
3	1339142	1	PIN, PULL ARM
4	155663	1	BUSHING, SPLIT TENSION, 1"ID,
5	188.016	1	NUT,HX,STV,GR8 1-8
6	102.010.160	6	BOLT,HX,GR8 5/8-11X10
7	133891	1	ZERK, GREASE, 1/8
8	1339252	1	GUIDE, PULL PIN
9	162.010.032	4	BUSHING, MACH, NR, 10GA, 2 ID
10	188.012	1	NUT,HX,STV,GR8 3/4
11	1339261	1	COLLAR, PULL PIN
12	102.012.064	1	BOLT,HX,GR8 3/4" -10 X 4"
13	188.010	6	NUT,HX,STV,GR8 5/8-11
14	1339191	1	BASE PLATE, CYLINDER MOUNT
15	1339611	1	PULL ARM (72' & 84')
15	1348641	1	PULL ARM (48' & 60')

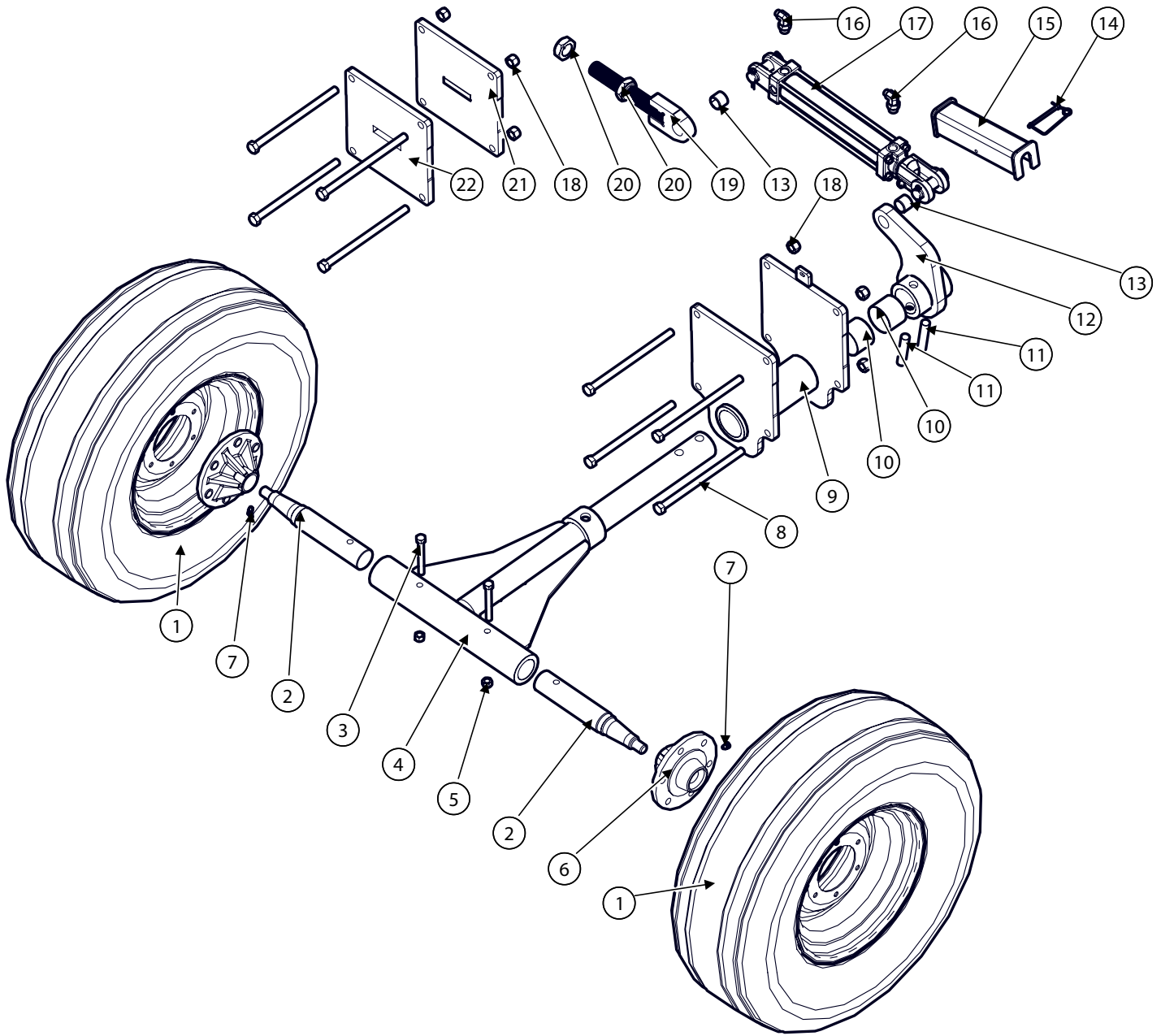
Model HC1010 16 Bar Harrow & Cart  
 For Serial Numbers HC1010-22001 thru HC1010-22999

**Right Pull Pivot**



BOM ID	Part No.	Qty	Description
1	102.012.064	1	BOLT,HX,GR8 3/4" -10 X 4"
2	1339261	1	COLLAR, PULL PIN
3	188.012	1	NUT,HX,STV,GR8 3/4
4	102.010.160	6	BOLT,HX,GR8 5/8" -11 X 10"
5	162.010.032	4	BUSHING, MACH, NR, 10GA, 2 ID
6	133891	1	ZERK, GREASE, 1/8
7	1339252	1	GUIDE, PULL PIN
8	1339142	1	PIN, PULL ARM
9	133.016	6	WASHER,L9,HD 1
10	188.016	1	NUT,HX,STV,GR8 1-8
11	1339611	1	PULL ARM (72' & 84')
11	1348641	1	PULL ARM (48' & 60')
12	155663	1	BUSHING, SPLIT TENSION, 1"ID,
13	102.016.088	1	BOLT,HX,GR8 1" -8 X 5-1/2"
14	188.010	6	NUT,HX,STV,GR5 5/8-11
15	1339191	1	BASE PLATE, CYLINDER MOUNT

**Left Wing Wheel**

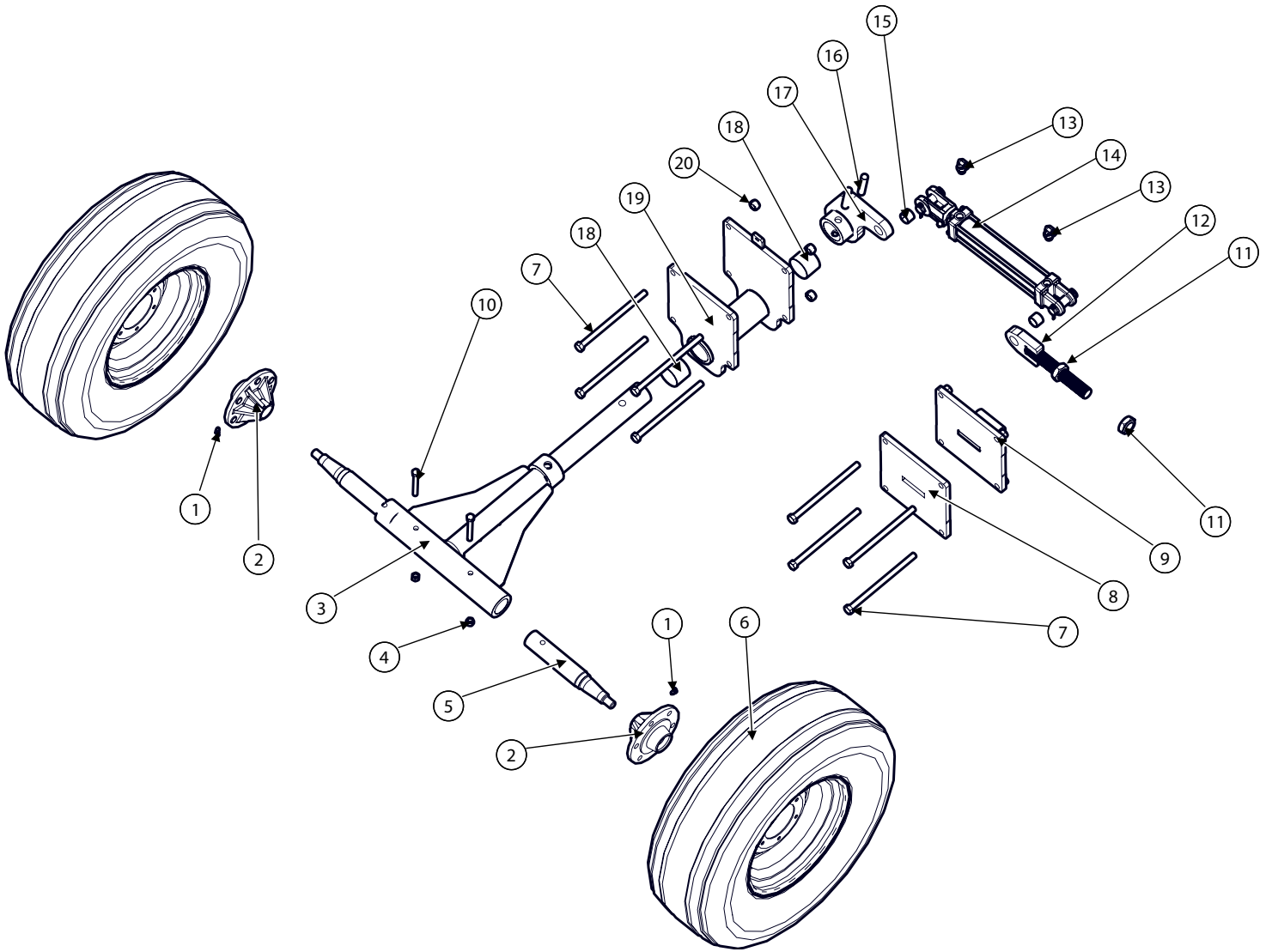




Model HC1010 16 Bar Harrow & Cart  
For Serial Numbers HC1010-22001 thru HC1010-22999

BOM ID	Part No.	Qty	Description
1	155657	2-4	OPTIONAL FIRESTONE IF280/70R15, 128A8, AD2 W/ 15X8.
2	1340321	2	SPINDLE
3	102.008.064	2	BOLT,HX,GR8 1/2" -13 X 4"
4	1339392	1	WING AXLE
5	188.008	2	NUT,HX,STV,GR8 1/2
6	155655	2	HUB, 6 ON 6, 4.62 PILOT, 4570#, 783
*NS	153041	2	HUB, WHEEL
*NS	155836	2	CUP, TAPERED ROLLER BEARING, LM501310 (Timken)
*NS	154651	2	BEARING WHEEL, OUTER LM501349 (Timken)
*NS	155837	2	CUP, TAPERED ROLLER BEARING, LM67010 (Timken)
*NS	154661	2	BEARING WHEEL HUB, INNER LM67048 (Timken)
*NS	154681	2	SEAL CASTER HUB (CR/SKF)
*NS	154691	12	BOLT LUG, CASTER, HUB
7	155816	2	ZERK,GREASE,45°,M6X1.0
8	102.010.160	8	BOLT,HX,GR8 5/8" -11 X 10"
9	1339301	1	AXLE PIVOT
10	155658	2	BUSHING, IGLIDE Q, 2-1/2" SHAFT,
11	239.012.056	2	PIN,SPRING,COILED 3/4 X3-1/2
12	1339381	1	CYLINDER MOUNT, AXLE PIVOT
13	155663	2	BUSHING, SPLIT TENSION, 1"ID.
14	146.004.048	1	PIN,SNAP,LCK
15	1338931	1	SAFETY STOP, WING CYLINDER
16	1003.08.04	2	HYDRAULIC ADAPTER, 90° 1/2 ORB X 1/4 MORFS
17	155660	1	CYLINDER, 2"BORE, 1-1/8"ROD,
18	188.010	8	NUT,HX,STV,GR8 5/8-11
19	1339161	1	BUTT MOUNT, ADJUSTABLE
20	242.020	2	NUT,HX,JAM,NYL,GR2 1-1/4-7
21	1339202	1	MOUNT PLATE, WING CYLINDER
22	1343771	1	BASE PLATE, CYLINDER MOUNT

### Right Wing Wheel

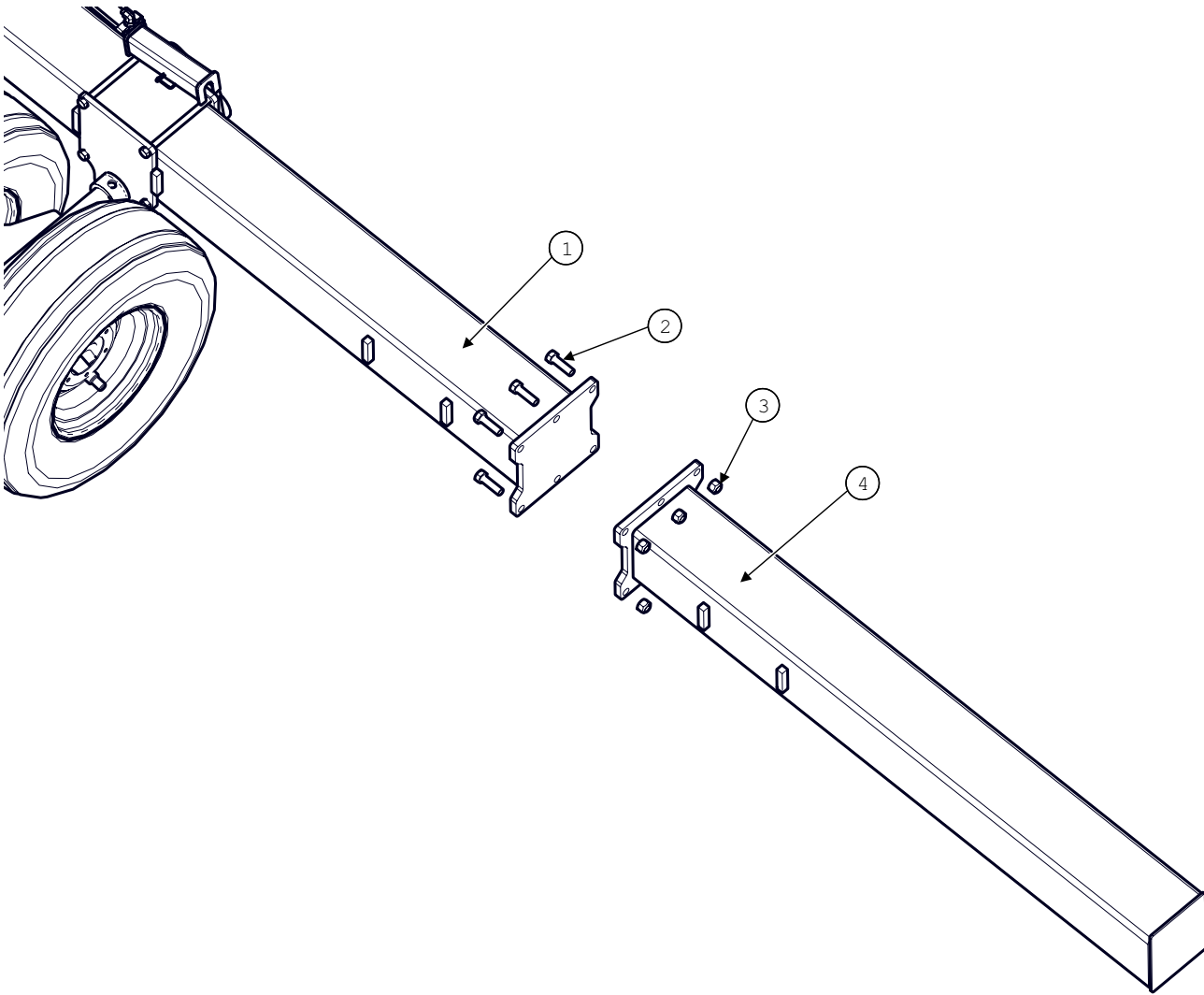


Model HC1010 16 Bar Harrow & Cart  
For Serial Numbers HC1010-22001 thru HC1010-22999

BOM ID	Part No.	Qty	Description
1	155816	2	ZERK.GREASE,45°,M6X1.0
2	155655	2	HUB, 6 ON 6, 4.62 PILOT, 4570#, 783
*NS	153041	2	HUB, WHEEL
*NS	155836	2	CUP, TAPERED ROLLER BEARING, LM501310 (Timken)
*NS	154651	2	BEARING WHEEL, OUTER LM501349 (Timken)
*NS	155837	2	CUP, TAPERED ROLLER BEARING, LM67010 (Timken)
*NS	154661	2	BEARING WHEEL HUB, INNER LM67048 (Timken)
*NS	154681	2	SEAL CASTER HUB (CR/SKF)
*NS	154691	12	BOLT LUG, CASTER, HUB
3	1339392	1	WING AXLE
4	188.008	2	NUT,HX,STV,GR8 1/2
5	1340321	2	SPINDLE - 2" DIA.#4570, 783
6	155657	2	FIRESTONE IF280/70R15, 128A8, AD2 W/ 15X8.
7	102.010.160	8	BOLT,HX,GR8 5/8" -11 X 10"
8	1343771	1	BASE PLATE, CYLINDER MOUNT
9	1339202	1	MOUNT PLATE, WING CYLINDER
10	102.008.064	2	BOLT,HX,GR8 1/2" -13 X 4"
11	242.020	2	NUT,HX,JAM,NYL,GR2 1-1/4-7
12	1339161	1	BUTT MOUNT, ADJUSTABLE
13	1003.08.04	2	HA,90°
14	155660	1	CYLINDER, 2"BORE, 1-1/8"ROD,
15	155663	2	BUSHING, SPLIT TENSION, 1"ID,
16	239.012.056	2	PIN,SPRING.COILED 3/4" X 3-1/2"
17	1339381	1	CYLINDER MOUNT, AXLE PIVOT
18	155658	2	BUSHING, IGLIDE Q, 2-1/2" SHAFT,
19	1339301	1	AXLE PIVOT
20	188.010	8	NUT,HX,STV,GR5 5/8-11

Model HC1010 16 Bar Harrow & Cart  
 For Serial Numbers HC1010-22001 thru HC1010-22999

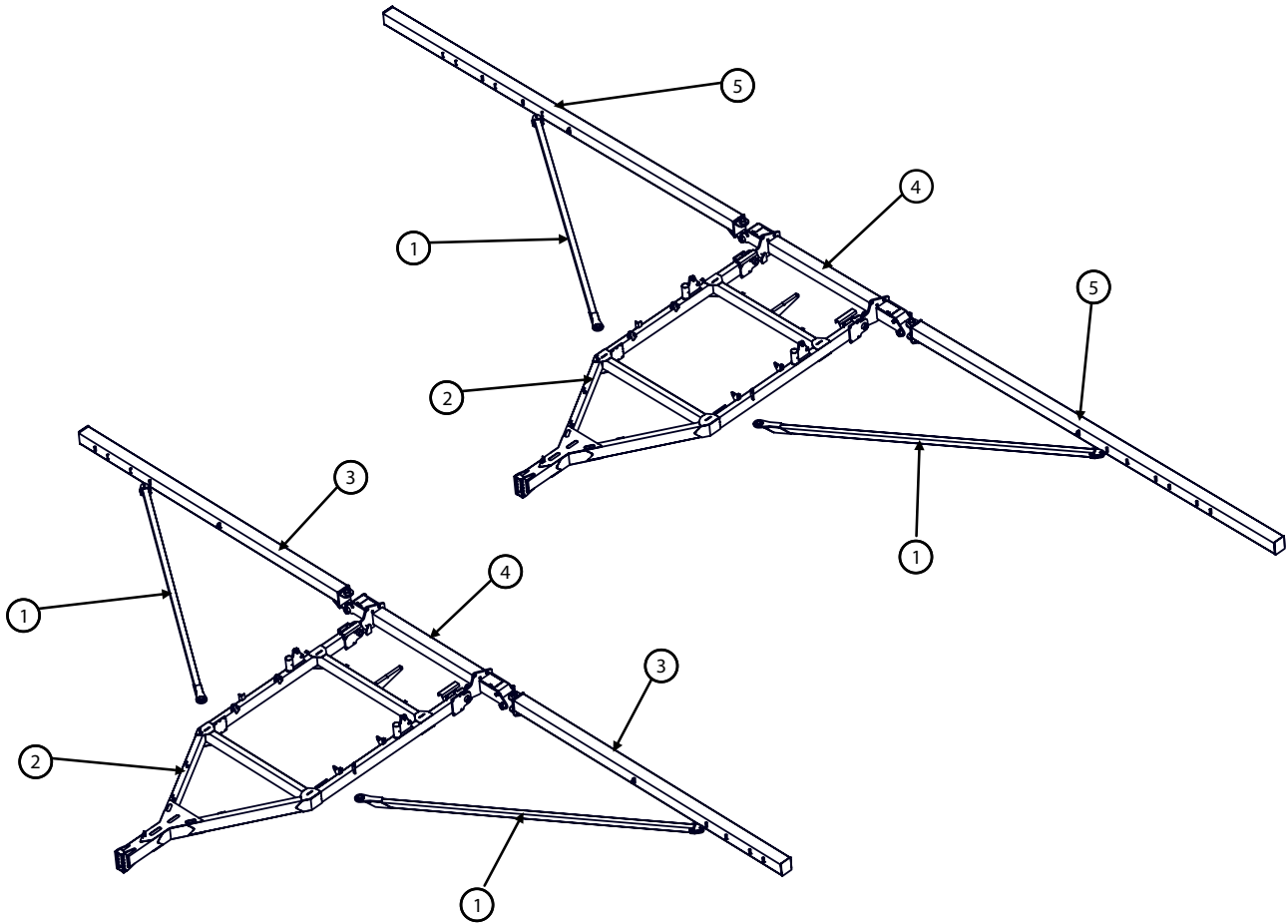
**6' Wing Extension**



BOM ID	Part No.	Qty	Description
1	1339522	1	WING TUBE 72 & 84' (SN 18001-19004)
1	1353331	1	WING TUBE 72 & 84' (SN 19005- )
2	102.012.040	6	BOLT,HX,GR8 3/4-10X2-1/2
3	188.012	6	NUT,HX,STV,GR8 3/4
4	1338532	1	EXTENSION, 6 FOOT

Model HC1010 16 Bar Harrow & Cart  
 For Serial Numbers HC1010-22001 thru HC1010-22999

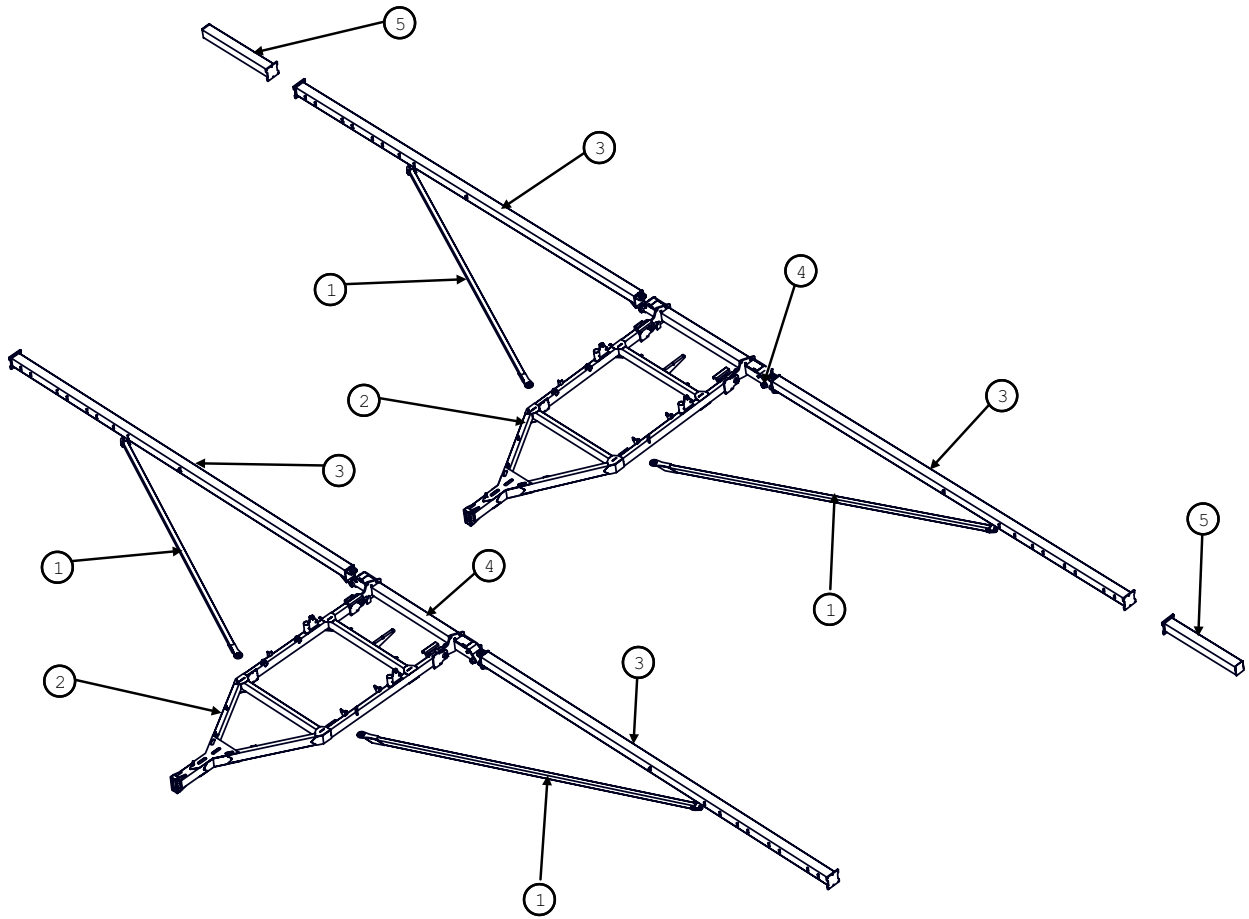
**48 & 60' Frame, Wings and Pulls**



BOM ID	Part No.	Qty	Description
1	1348641	2	PULL ARM
2	1348611	1	CART FRAME, 48', 60'
3	1349301	2	WING TUBE 48' (SN 18001-19004)
3	1353311	2	WING TUBE 48' (SN 19005- )
4	1348621	1	CENTER BEAM, 48', 60'
5	1348631	2	WING TUBE 60' (SN 18001-19004)
5	1353321	2	WING TUBE, 60', HD (SN 19005- )

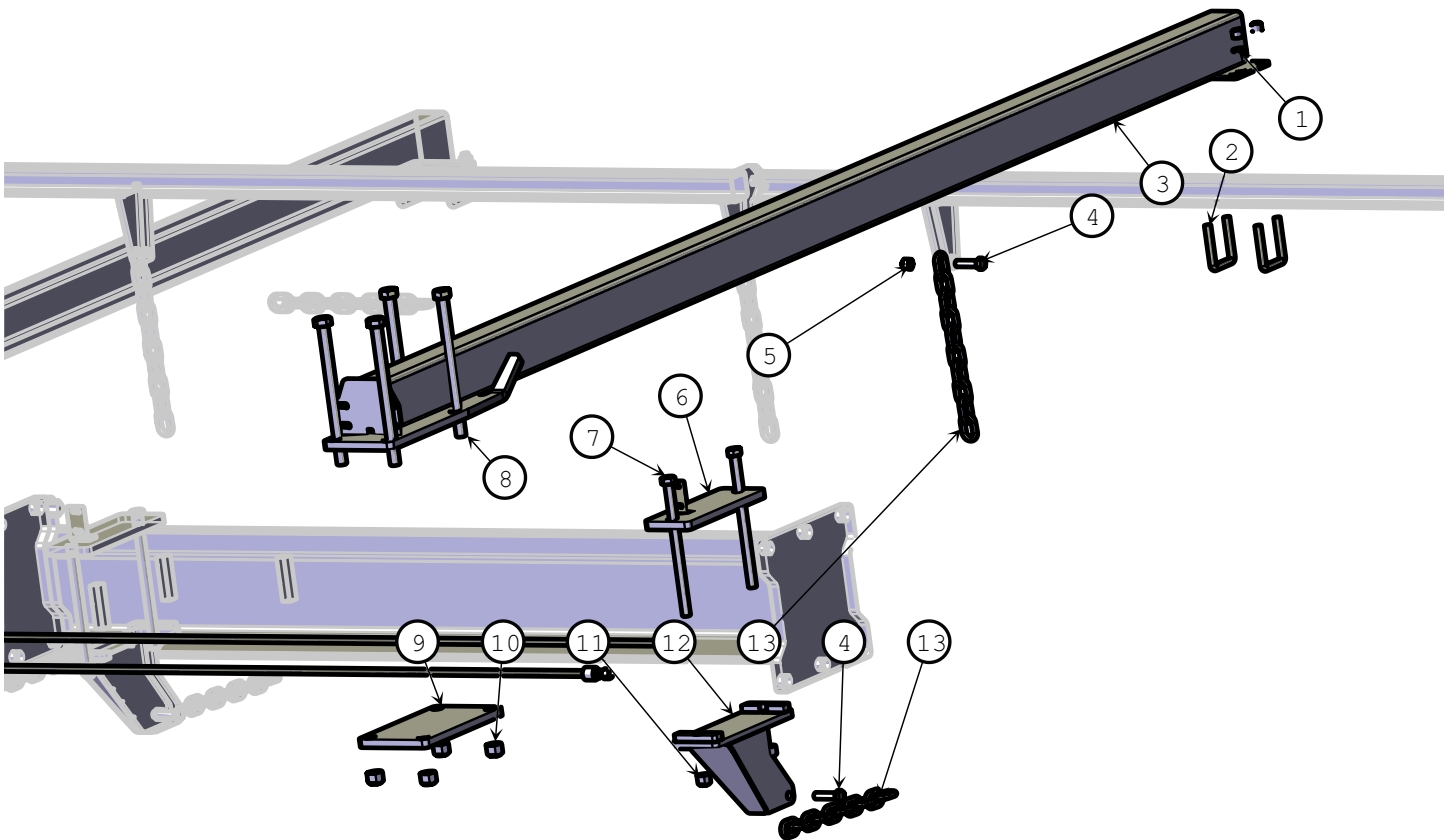
Model HC1010 16 Bar Harrow & Cart  
 For Serial Numbers HC1010-22001 thru HC1010-22999

**72' & 84' Frame, Wings and Pulls**



BOM ID	Part No.	Qty	Description
1	1339611	2	PULL ARM
2	1338892	1	CART FRAME
3	1339522	2	WING TUBE, 72 FEET, (SN 18001-19004)
3	1353331	2	WING TUBE, 72 FEET, HD (SN 19005- )
4	1339022	1	CENTER BEAM
5	1338532	2	EXTENSION, 6 FOOT

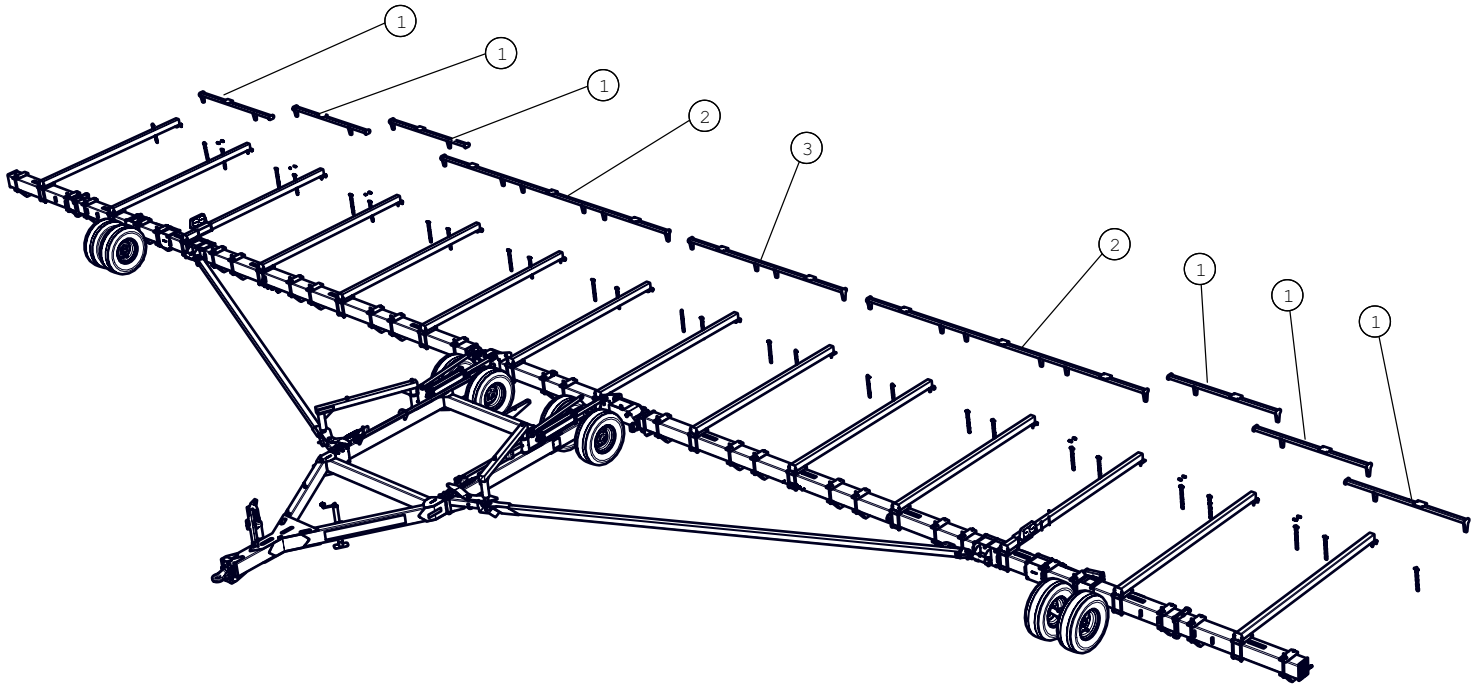
### Harrow Hangers & Pulls



BOM ID	Part No.	Qty	Description
1	133.008	2	WASHER, FLT L9, HD 1/2
2	156003	2	U-BOLT, SQUARE BEND, 1/2X2X3
3	1338404	1	LIFT ARM
4	102.008.032	2	BOLT, HX, GR8 1/2-13X2
5	188.008	6	NUT, HX, STV, GR8 1/2
6	1339041	1	CLAMP PLATE,
7	102.010.160	2	BOLT, HX, GR8 5/8-11X10
8	101.012.168	4	BOLT, HX, GR5 3/4-10X10-1/2
9	1338373	1	MOUNT PLATE,
10	188.012	4	STV, GR8 3/4
11	188.01	2	NUT, HX, STV, GR8 5/8
12	1338511	1	HARROW PULL
13	1340601	2	LIFT CHAIN, 10-LINK

Model HC1010 16 Bar Harrow & Cart  
 For Serial Numbers HC1010-22001 thru HC1010-22999

**Lift Tubes**

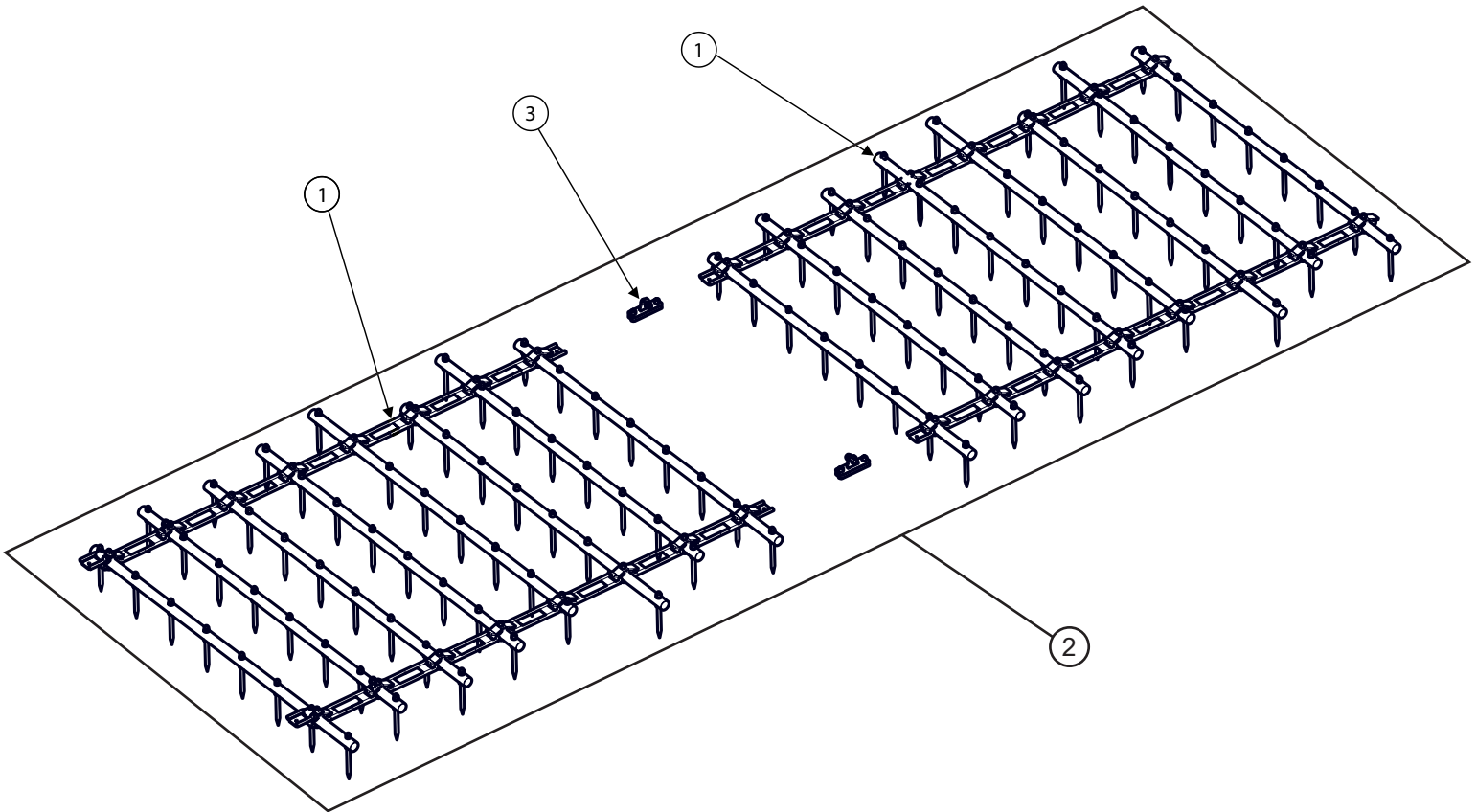


BOM ID	Part No.	Qty	Description
1	1366351	6	LIFT TUBE, EXTENSION
2	1366201	2	LIFT TUBE, INNER WING
3	1366191	1	LIFT TUBE, CENTER



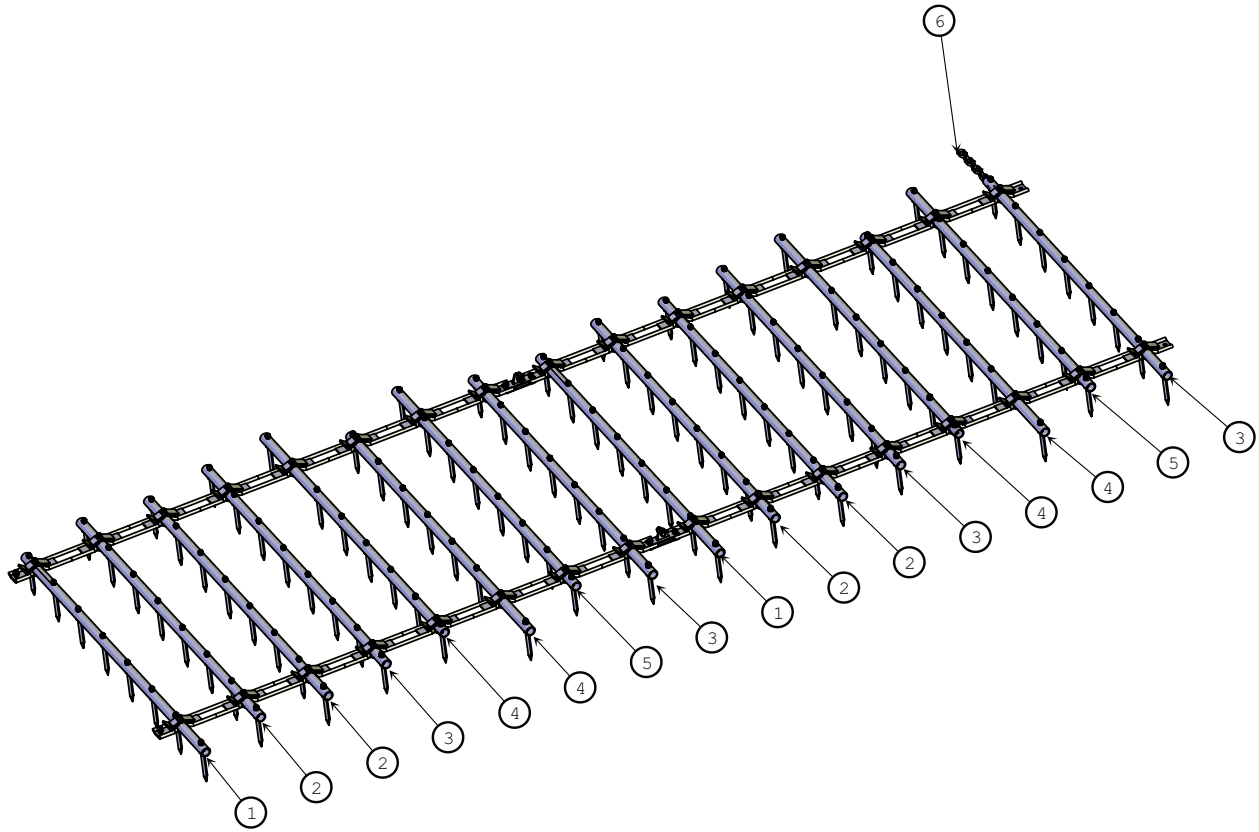
Model HC1010 16 Bar Harrow & Cart  
 For Serial Numbers HC1010-22001 thru HC1010-22999

**Harrow Sections**



BOM ID	Part No.	Qty	Description
1	1352341	1	8-BAR
2	1352351	1	16-BAR WITH MIDDLE HANGER SUPPORT
3	1340471 & 1340511	2	CONNECTING STRAP

**Harrow Bars**



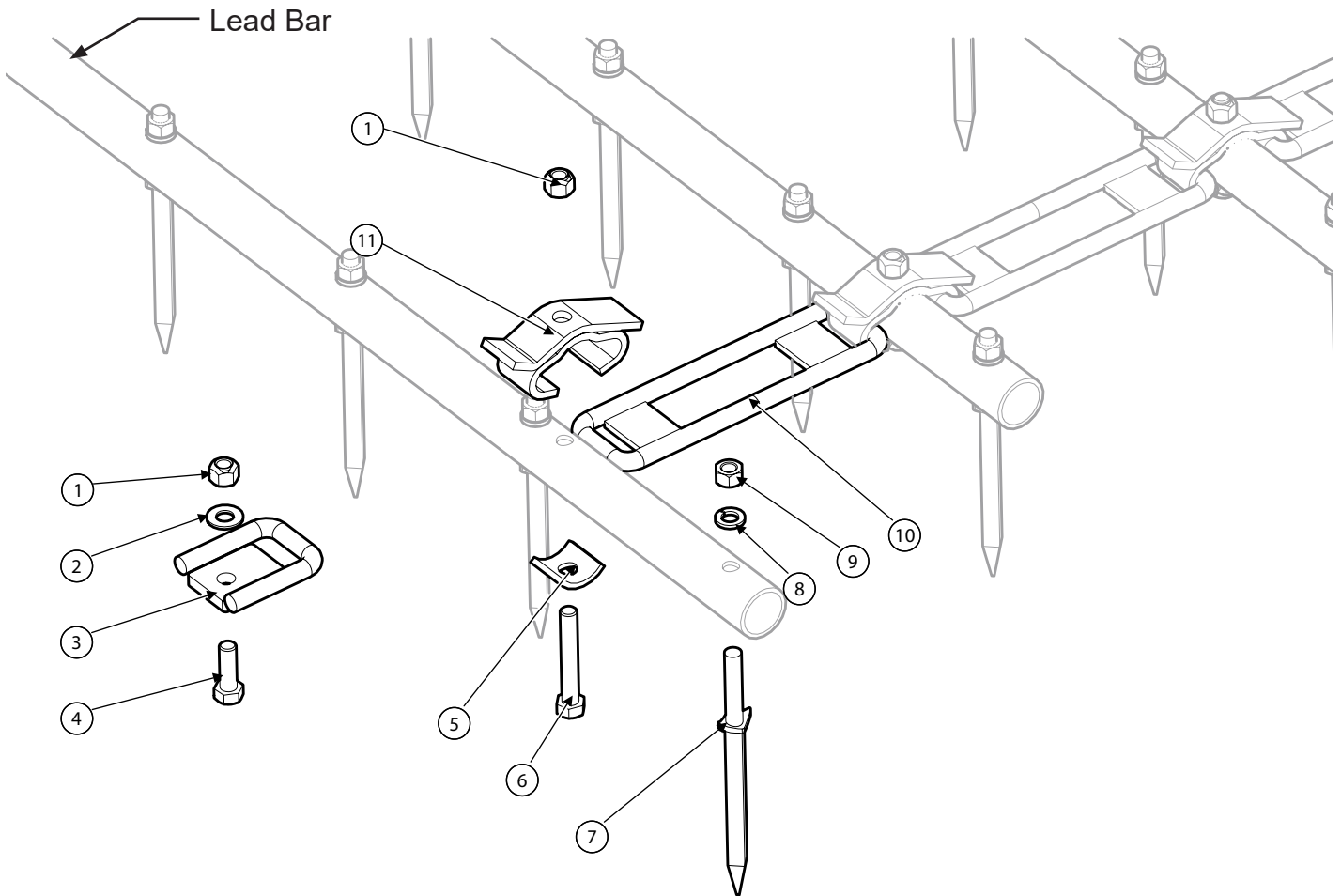
← Direction of Travel

BOM ID	Part No.	Qty	Description
1	155930	1	SCH80, 1-1/4"x66"
2	155721	4	PIPE, 6 FOOT, #2
3	155722	4	PIPE, 6 FOOT, #3
4	155720	4	PIPE, 6 FOOT, #1
5	155723	2	PIPE, 6 FOOT, #4
6	1340601	1	LIFT CHAIN, 10-LINK

*\*Note - Pipe direction is flipped to change spike offset*

Model HC1010 16 Bar Harrow & Cart  
 For Serial Numbers HC1010-22001 thru HC1010-22999

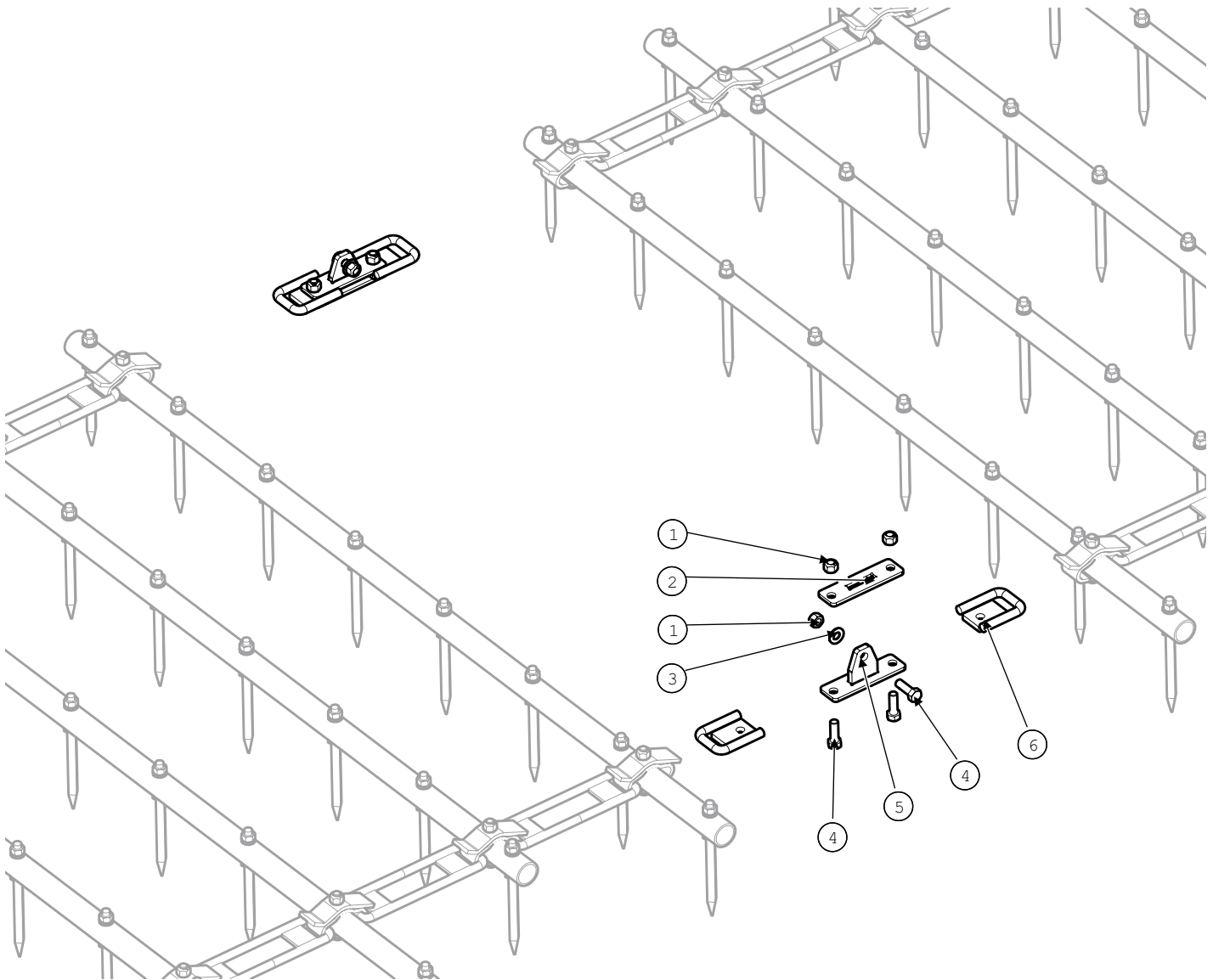
**Connecting Links and Spikes**



*\*Note - Quantities are for one 16 bar 6' section*

BOM ID	Part No.	Qty	Description
1	188.008	32	NUT,HX,STV,GR8 1/2
2	133.008	4	WASHER,L9,HD
3	155719	8	1/2 LINK
4	102.008.024	8	BOLT,HX,GR8 1/2" -13 X 1-1/2"
5	155716	32	BOTTOM PLATE
6	101.008.048	32	BOLT,HX,GR5 1/2" -13 X 3"
7	155724	124	TOOTH, SHORT SHANK
8	136.008	124	WASHER,LCK,MED-SPLIT 1/2
9	103.008	124	NUT,HX,GR5 1/2-13
10	155718	28	LINK
11	155996	32	BAR CLAMP

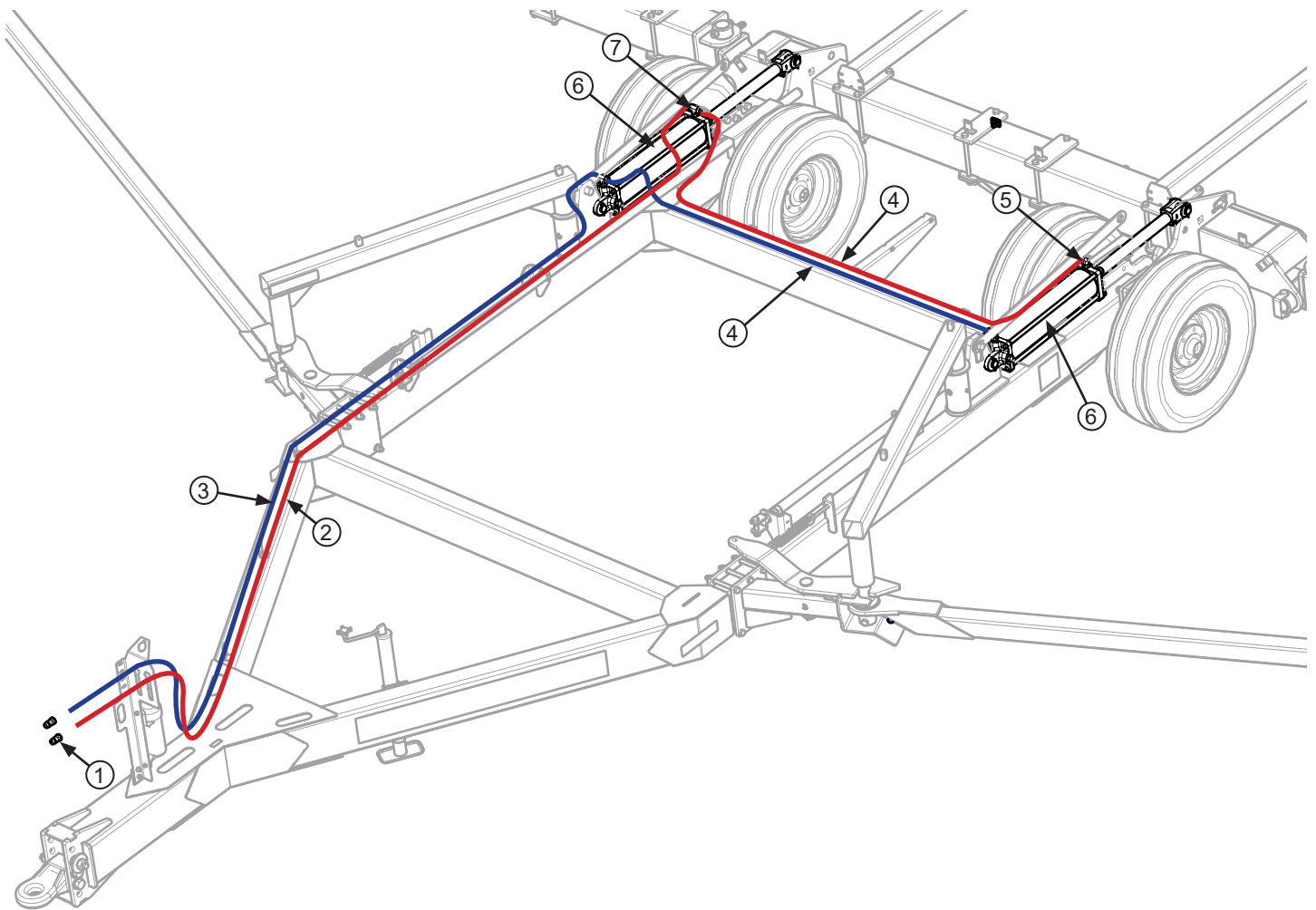
### Harrow Hanger Connectors



BOM ID	Part No.	Qty	Description
1	188.008	6	NUT,HX,STV,GR8 1/2
2	1340471	2	CONNECTING STRAP
3	133.008	2	WASHER,L9,HD
4	102.008.024	6	BOLT,HX,GR8 1/2" -13 X 1-1/2"
5	1340511	2	BOTTOM STRAP
6	155719	4	1/2 LINK

Model HC1010 16 Bar Harrow & Cart  
 For Serial Numbers HC1010-22001 thru HC1010-22999

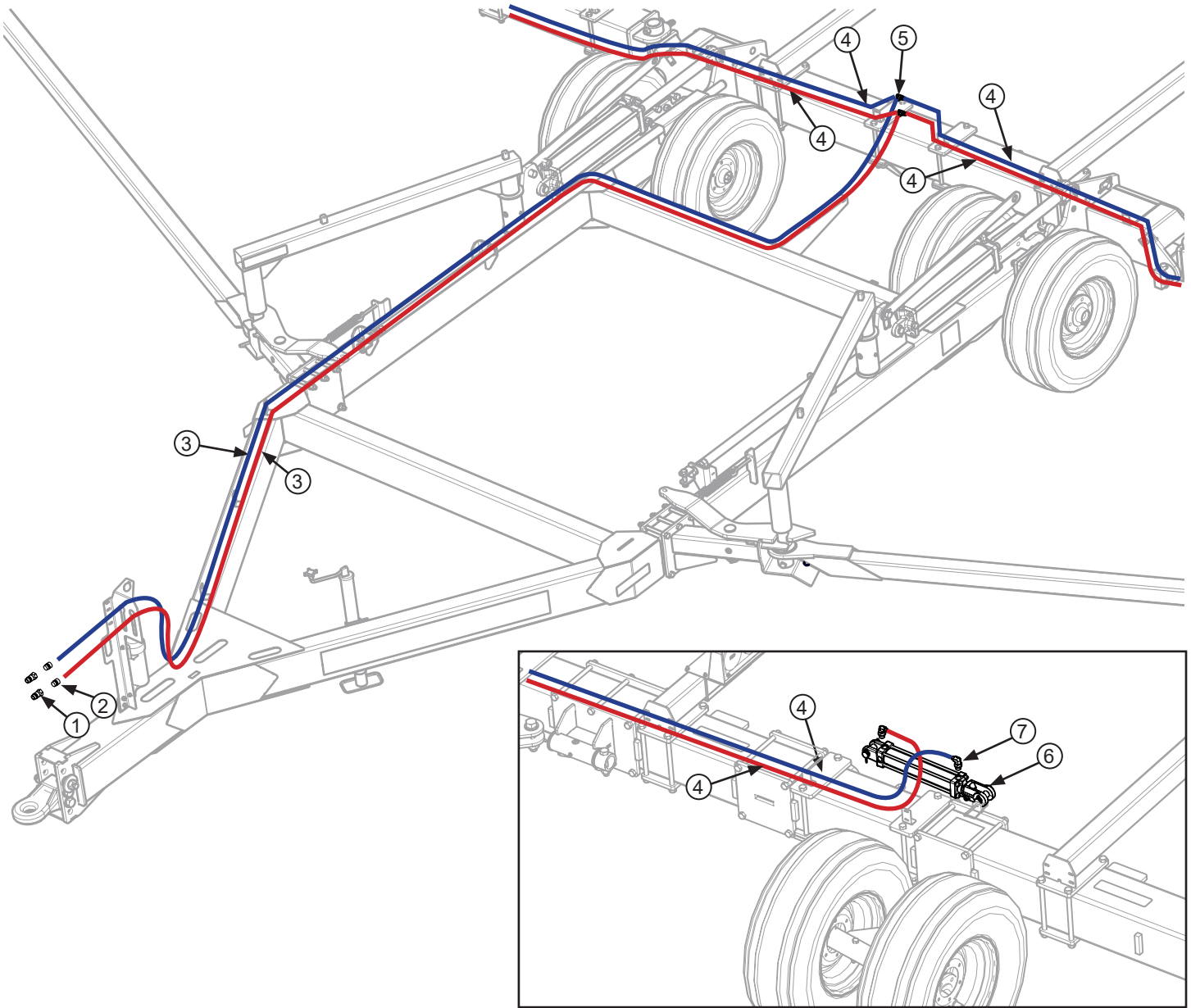
**Hydraulics - Wing Up**



BOM ID	Part No.	Qty	Description
1	HC-150211	2	CONNECTE, PIONEER MALE QUICK,
2	1346021	1	100R17AR-08X255";
3	1346011	1	100R17AR-08X230";
4	1346001	2	100R17AR-08X110";
5	1003.10.08	2	HA,90° -10MORB X -8MORFS
6	155659	2	CYLINDER, 5"BORE, 2"ROD,
7	1009.10	2	HA,TEE,STR,THD,BRA -10ORFS

*Note: Cylinders come with pins and cotter pins*

### Hydraulics - Pivoting Wing Wheels

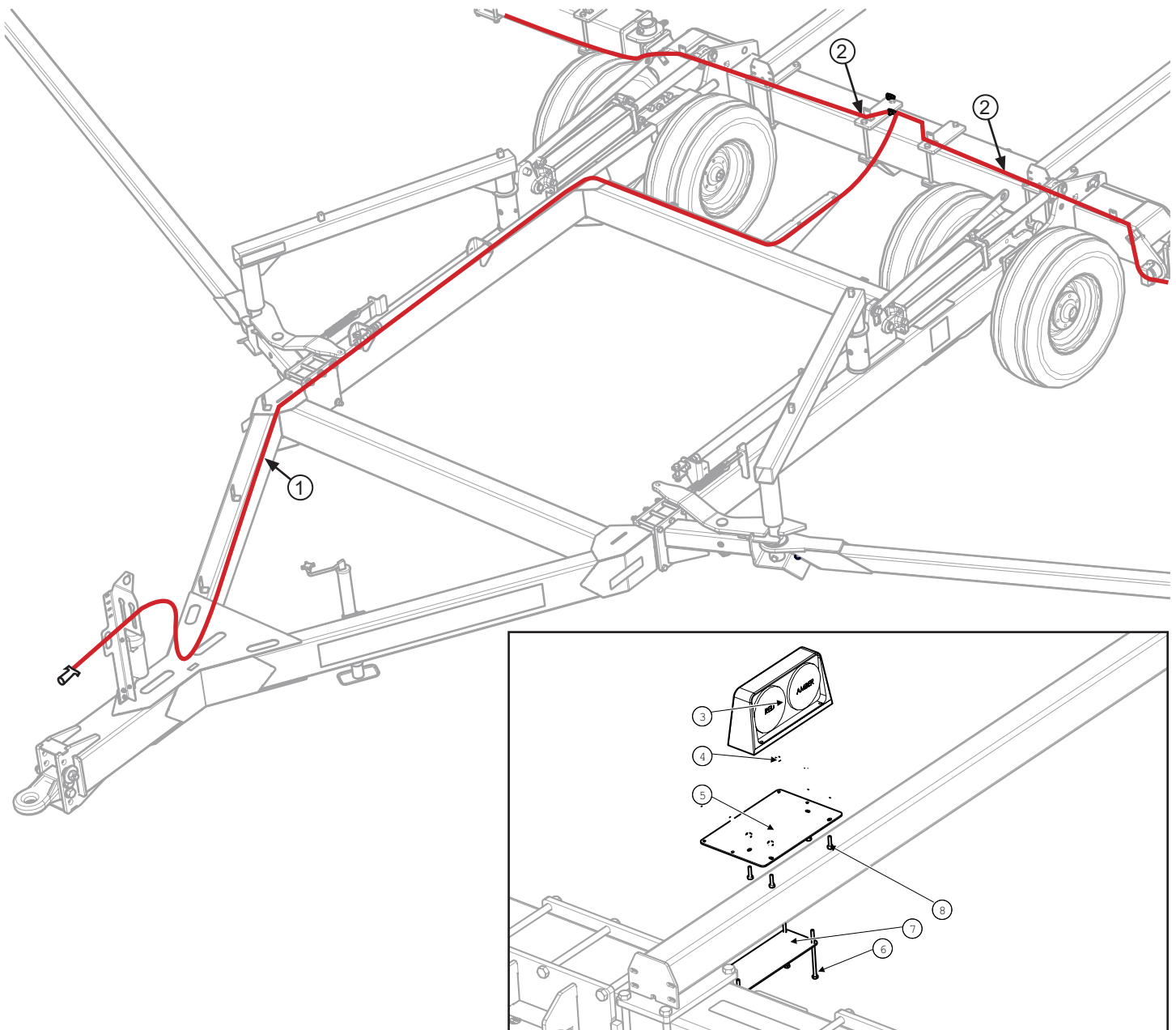


BOM ID	Part No.	Qty	Description
1	HC-150211	2	CONNECTE, PIONEER MALE QUICK,
2	1043.03.08	2	HA,STR -6FORB X -8MORB
3	1345991	2	100R17AR-04X331";
4	1351731	4	100R17AR-04X293"; 48'
4	1349821	4	100R17AR-04X312"; 60'
4	1347191	4	100R17AR-04X384"; 72' & 84'
5	1018.04	2	UNION -4ORFS
6	155660	2	CYLINDER, 2"BORE, 1-1/8"ROD,
7	1003.08.04	4	90° -8MORB X -4MORFS

Note: Cylinders come with pins and cotter pins

Model HC1010 16 Bar Harrow & Cart  
 For Serial Numbers HC1010-22001 thru HC1010-22999

**Electrical**



BOM ID	Part No.	Qty	Description
1	1347311	1	Primary Electrical Harness
2	1347321	2	Wing Electrical Harness
3	155809	1	AG LIGHT, RH DUAL LED, 3-WIRE LEAD
NS	1347331	1	LEFT LIGHT AND HARNESS ASSEMBLY
NS	155808	1	AG RIGHT, RH DUAL LED, 3-WIRE LEAD
NS	1347401	1	RIGHT LIGHT AND HARNESS ASSEMBLY
4	188.004	8	NUT,HX,STV,GR8 1/4
5	1346911	1	MOUNT PLATE, FLASHING LIGHT
6	101.004.076	4	BOLT,HX,GR5 1/4" -20 X 4-3/4"
7	1346921	1	CLAMP PLATE, FLASHING LIGHT
8	101.004.016	4	BOLT,HX,GR5 1/4" -20 X 1"

Model HC1010 16 Bar Harrow & Cart  
 For Serial Numbers HC1010-22001 thru HC1010-22999

155678

**! WARNING**

**IMPLEMENT CONTROL HAZARD**

1. Do not tow at speeds over 20 mph.
2. The towing vehicle must weigh at least 2/3 the weight of this implement. Refer to Operator's Manual for more information.

**FAILURE TO FOLLOW THESE INSTRUCTIONS COULD RESULT IN SERIOUS INJURY OR DEATH**

155678

155678



155681

**! WARNING**

**SAFETY STOP ON LIFT CYLINDERS**

1. USE SAFETY STOPS ON LIFT CYLINDERS (A) WHEN IN TRANSPORT MODE.
2. STORE SAFETY STOPS ON SWING ARMS (B) WHEN IN FIELD MODE.

**FAILURE TO FOLLOW THESE INSTRUCTIONS COULD RESULT IN SERIOUS INJURY OR DEATH**

155681

1347441



1347431



1347451



155682

**! WARNING**

**SAFETY STOP ON WING CYLINDERS**

1. USE SAFETY STOPS ON WING CYLINDERS (A) WHEN IN TRANSPORT MODE.
2. STORE SAFETY STOPS ON WHEEL PIVOT MOUNT (B) WHEN IN FIELD MODE.

**FAILURE TO FOLLOW THESE INSTRUCTIONS COULD RESULT IN SERIOUS INJURY OR DEATH**

155682

133731



133741





