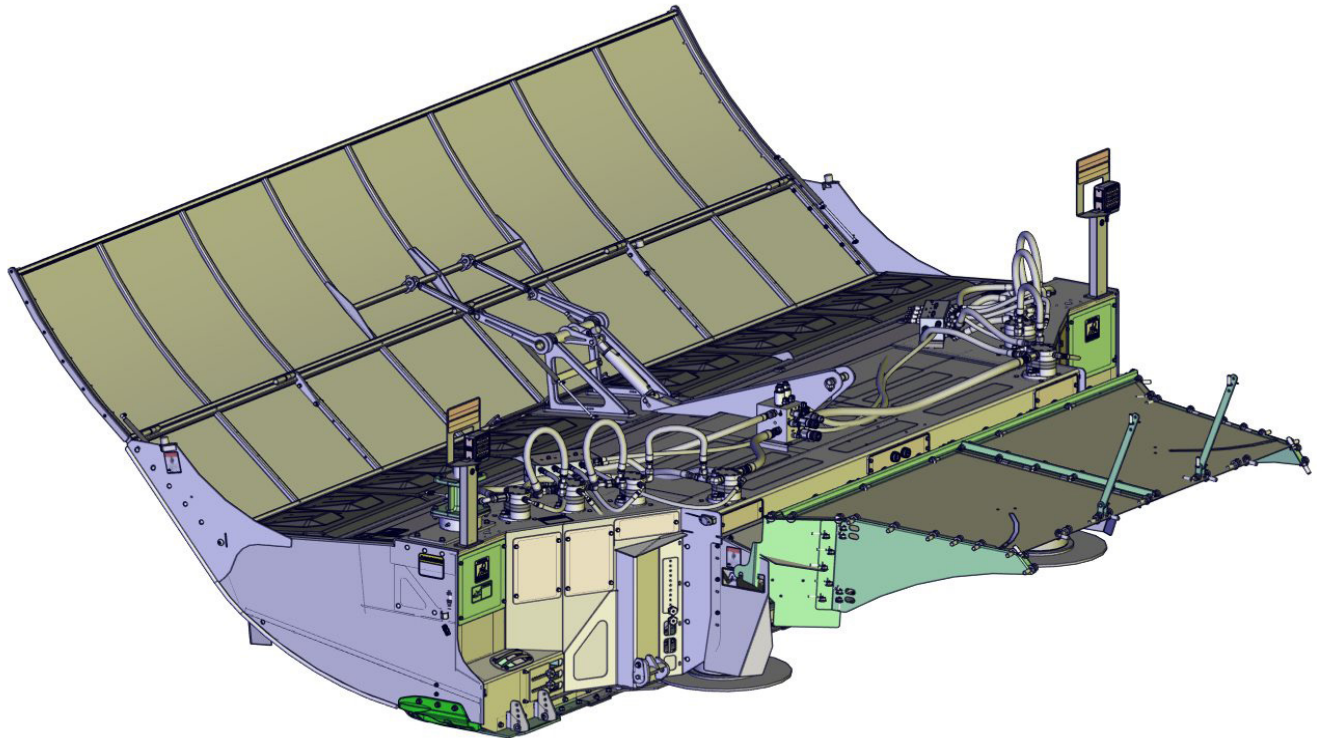


Model SC1500 Specialty Seed Header  
For Serial Numbers SC1500-23001 thru SC1500-23999



# Model SC1500 Specialty Seed Header Parts Manual

SN SC1500-23001 thru SC1500-23999

Rev. 1.1

D-220308DMC01

208-937-2461  
[www.hillcotechnologies.com](http://www.hillcotechnologies.com)  
email: [support@hillcotechnologies.com](mailto:support@hillcotechnologies.com)



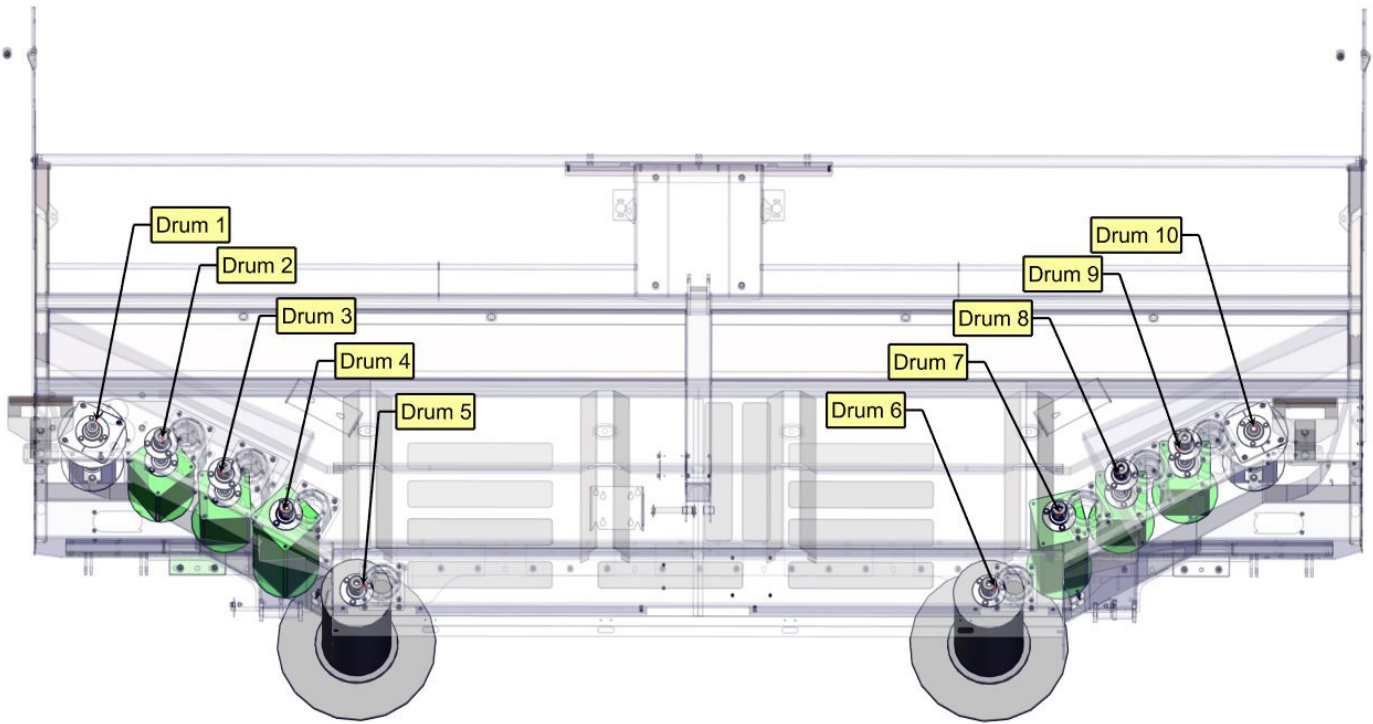
# SC1500 SPECIALTY CROP PLATFORM

## TABLE OF CONTENTS

<b>DRUMS.....</b>	<b>4-7</b>
Drums 1 and 10	4
Suspended Drums	5
Tall Drum	6
Forming Drum	7
<b>DEFLECTOR.....</b>	<b>8-9</b>
Deflector	8
Deflector Lift	9
<b>CUTTERBAR DRIVE.....</b>	<b>10</b>
<b>CURTAINS AND DOORS.....</b>	<b>11</b>
<b>SHIELDS.....</b>	<b>12-13</b>
<b>CUTTERBAR AND CATCH CAN.....</b>	<b>14</b>
<b>DRUM HOSES.....</b>	<b>15-18</b>
Right Hoses	15-16
Left Hoses	17-18
<b>FRAME.....</b>	<b>19-22</b>
Center Frame	20
Frame Left and Right	21
Frame Front	22
<b>HYDRAULICS MOTORS.....</b>	<b>23-25</b>
Left Motors and Fittings	24
Right Motors and Fittings	25
<b>MANIFOLDS.....</b>	<b>26-31</b>
Center Manifold	26
Left Manifold	28
Right Manifold	30
<b>DISPLAY.....</b>	<b>32</b>
<b>ELECTRICAL AND SCHEMATICS.....</b>	<b>33-49</b>
<b>PUMP KIT AND HYDRAULICS.....</b>	<b>50-55</b>
<b>SPRAY KIT (OPTIONAL).....</b>	<b>56-57</b>
<b>DECALS.....</b>	<b>58-59</b>

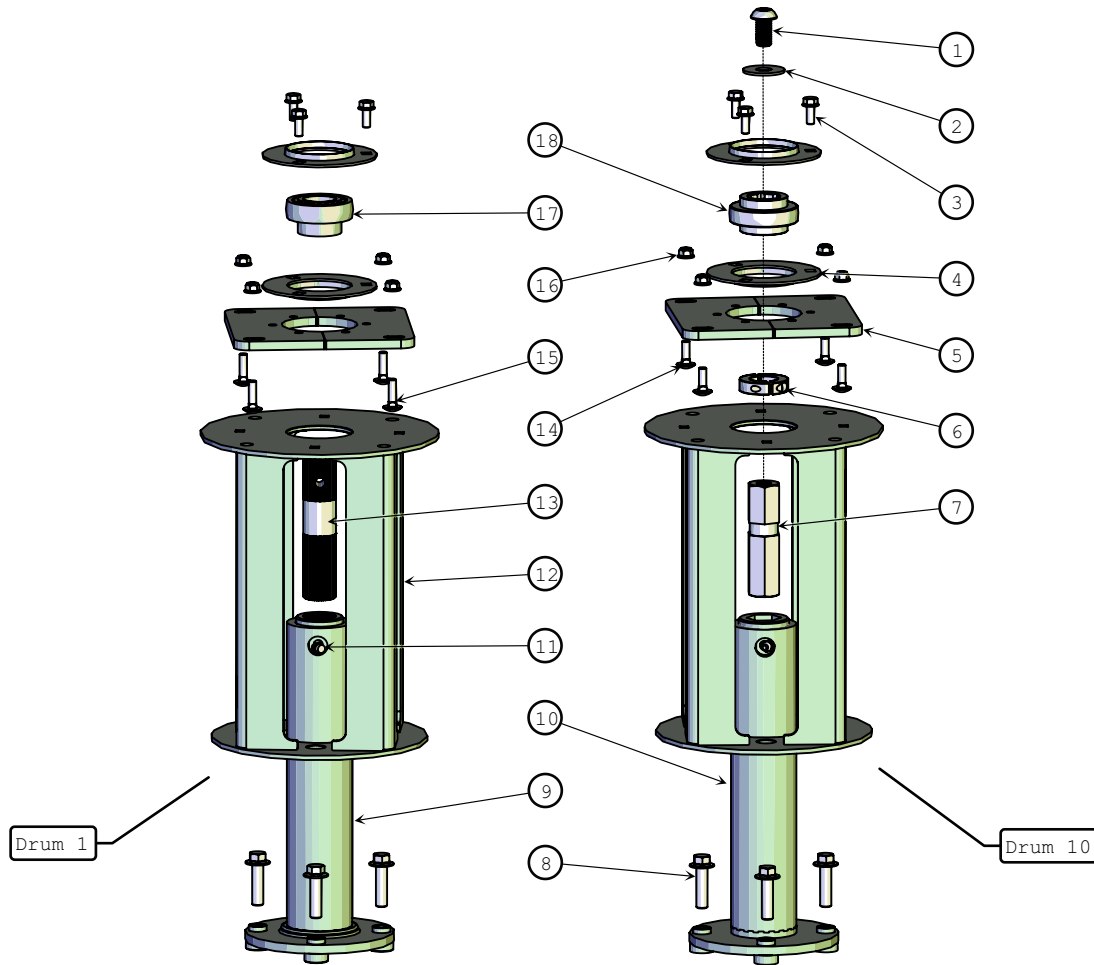
Model SC1500 Specialty Seed Header  
For Serial Numbers SC1500-23001 thru SC1500-23999

***Drum Location***



Model SC1500 Specialty Seed Header  
For Serial Numbers SC1500-23001 thru SC1500-23999

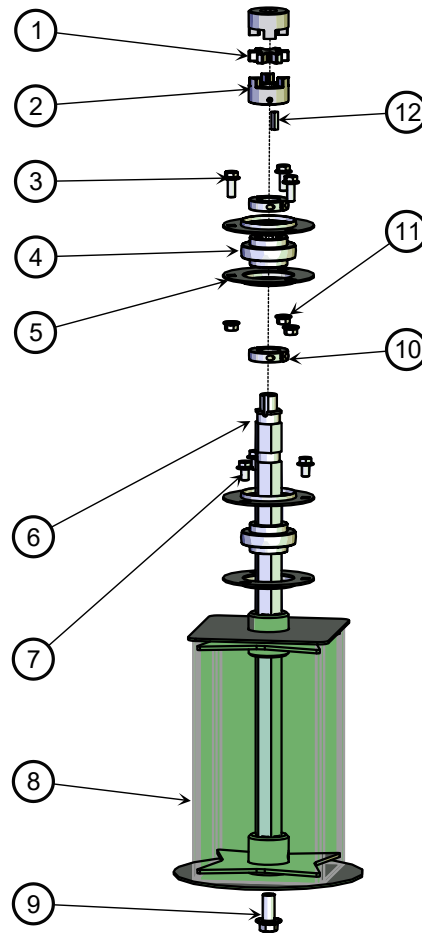
**Drums 1 and 10**



BOM ID	Hillco Part No.	John Deere Part No.	Qty	Description
1	206.016.030		1	BUTTON HEAD CAP SCREW, CL12.9 M16X30MM
2	105.010		1	WASHER,FLAT 5/8"
3	122.008.020	19M7866	6	BOLT,HX,FL,CL10.9 M8X20
4	101339	E79725	2	FLANGETTE, RND BEARING (PAIR) 72MM 3 BOLT
5	1368161		4	BEARING MNT
6	155955		1	TWO-PIECE CLAMP-ON SHAFT COLLAR 1-3/16" BORE
7	1368173		1	IDLER SHAFT
8	122.012.045		8	BOLT,HEX,FLANGE,CL10.9 M12X45
9	1368732		1	INNER DRUM
10	1368731		1	INNER DRUM
11	133891	JD7759	2	ZERK, GREASE, 1/8"
12	1368761		2	OUTER DRUM
13	1379321		1	SHAFT, 1-3/8" 21T x 6-1/4"L
14	163.008.025	03M7185	4	BOLT,CARR,CL8.8 M8X25
15	163.008.030	03M7186	4	BOLT,CARR,CL8.8 M8X30
16	128.008	14M7298	8	NUT,HEX,FLANGE,STOVER,CL10 M8 X 1.25
17	156180	AZ19427	1	BEARING WIDE INNER RING, 72MM OD, 35MM ID
18	156111	AE37057	1	BEARING, 1-1/4 HEX

Model SC1500 Specialty Seed Header  
 For Serial Numbers SC1500-23001 thru SC1500-23999

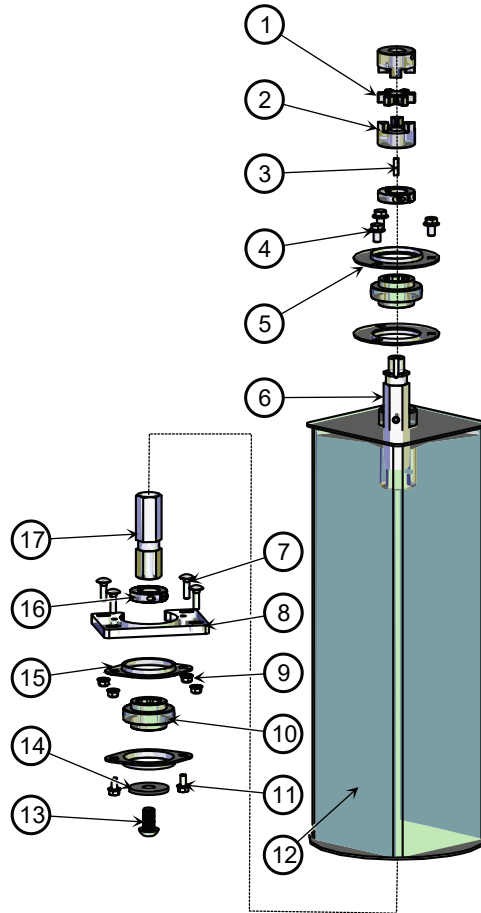
**Suspended Drums**



BOM ID	Hillco Part No.	John Deere Part No.	Qty	Description
1	155980		1	SOLID CENTER, L090 SPIDER
2	155979		1	COUPLER,JAW, 7/8" BORE, 1/4"X1/8" KEYWAY (Pair with Spider)
3	122.010.025	19M7785	3	BOLT,HEX,FLANGE,CL10.9 M10X25
4	156111	AE37057	2	BEARING, INSERT, 1-1/4 HEX
5	101339	E79725	4	FLANGETTE, RND BEARING (PAIR) 72MM 3 BOLT
6	1369164		1	DRUM SHAFT
7	122.010.016	19M7783	3	BOLT,HEX,FLANGE,CL10.9 M10X16
8	1379121		1	SUSPENDED DRUM
9	122.016.035	19M7843	1	BOLT,HEX,FLANGE, CL10.9 M16 X 35
10	155955		2	TWO-PIECE CLAMP-ON SHAFT COLLAR 1-3/16" BORE
11	123.010	14M7296	3	NUT,HEX,FLANGE,CL10 M10
12	10064.04.00015		1	KEYSTOCK,SQUARE 1/4" x1/4" X .9375"

Model SC1500 Specialty Seed Header  
For Serial Numbers SC1500-23001 thru SC1500-23999

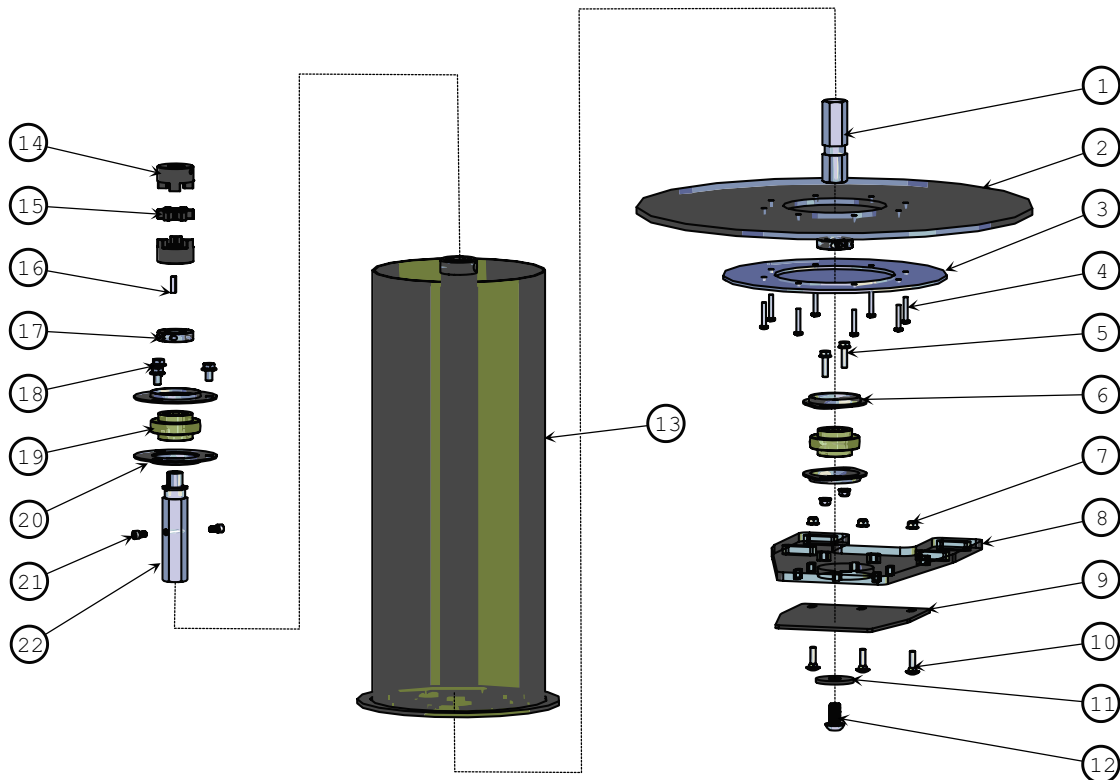
**Tall Drum**



BOM ID	Hillco Part No.	John Deere Part No.	Qty	Description
1	155980		1	SOLID CENTER, L090 SPIDER
2	155979		1	COUPLER,JAW, 7/8" BORE, 1/4"X1/8" KEYWAY (Pair with Spider)
3	10064.04.00015		1	KEYSTOCK,SQUARE 1/4" x1/4" X.9375"
4	122.010.016	19M7783	3	BOLT,HEX,FLANGE,CL10.9 M10X16
5	101339	E79725	1	FLANGETTE, RND BEARING (PAIR) 72MM 3 BOLT
6	1363603		1	DRUM SHAFT
7	163.008.030	03M7094	4	BOLT,CARR,CL8.8 M8X30
8	1369452		1	TALL DRUM BEARING MNT
9	128.008	14M7298	4	NUT,HEX,FLANGE,STOVER,CL10 M8 X 1.25
10	156111	AE37057	2	BEARING, INSERT, 1-1/4 HEX
11	122.008.016	19M7865	2	BOLT,HEX,FLANGE,CL10.9 M8X16
12	1363525		1	DRUM, TALL
13	206.016.030	24M7103	1	BUTTON HEAD CAP SCREW, CL12.9 M16X30
14	143641		1	WASHER,FLAT 17.5 X 56 X 5
15	153111	H76961	2	FLANGETTE, 2-BOLT, 72MST
16	155955		2	TWO-PIECE CLAMP-ON SHAFT COLLAR 1-3/16" BORE
17	1368173		1	IDLER SHAFT

Model SC1500 Specialty Seed Header  
For Serial Numbers SC1500-23001 thru SC1500-23999

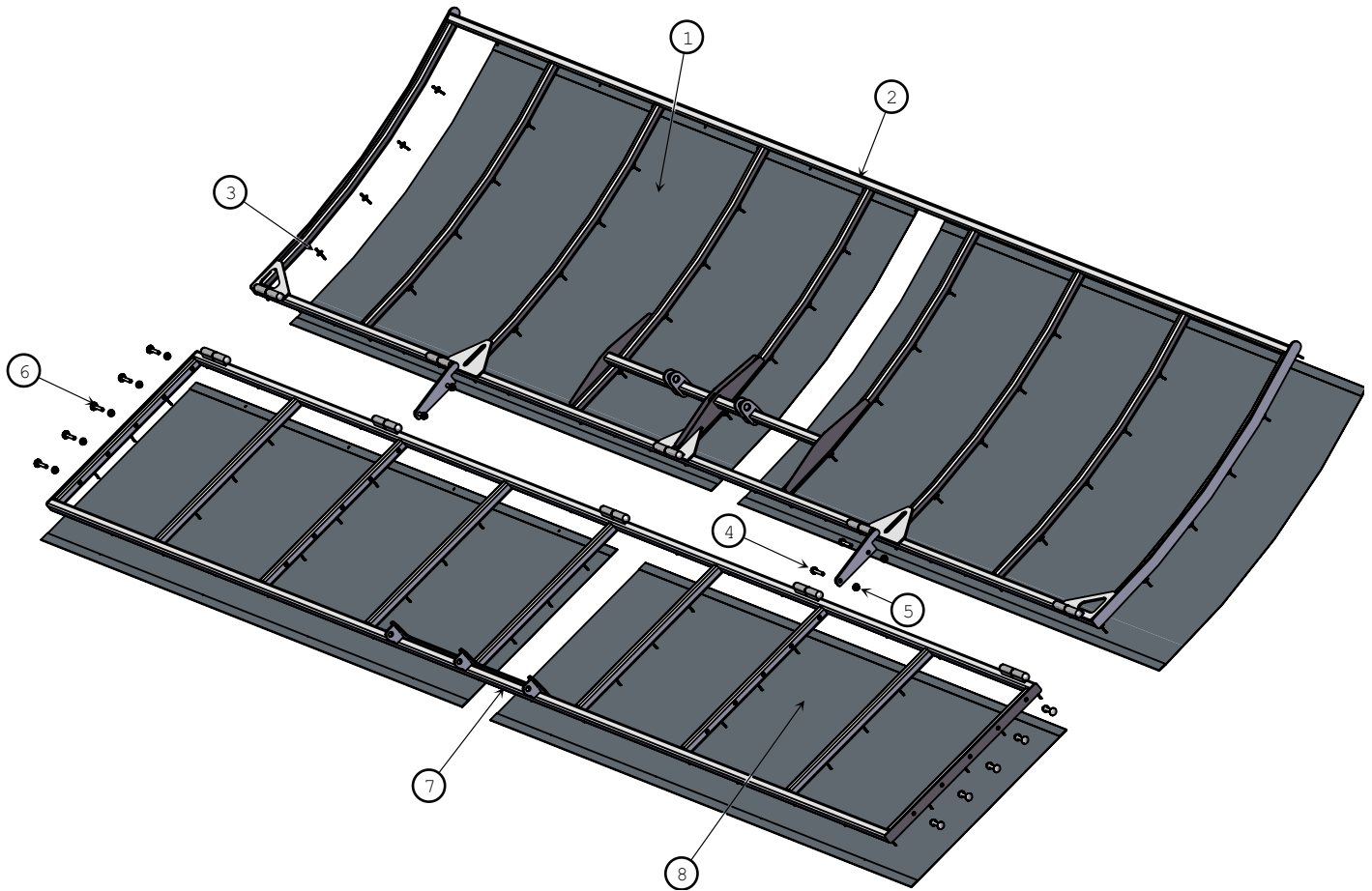
**Forming Drum**



BOM ID	Hillco Part No.	John Deere Part No.	Qty	Description
1	1368173		1	IDLER SHAFT
2	1363662		1	WEAR DISC, ROLLING GUIDE
3	1363811		1	WEAR DISC SUPPORT PLATE
4	171.006.035		8	SCREW, PAN HEAD MACHINE SCREW, CH M6 X 1.0 X 35
5	122.008.030	19M7868	2	BOLT, HEX, FLANGE, CL10.9 M8X30
6	153111	H76961	2	FLANGETTE, 2-BOLT, 72MST
7	128.008	14M7298	5	NUT,HEX,FLANGE,STOVER,CL10 M8 X 1.25
8	1369442		1	ROLLER GUIDE BEARING MNT
9	1376641		1	WEAR PAD, ROLLING GUIDE
10	163.008.030	03M7094	3	BOLT,CARR,CL8.8 M8X30
11	143641	24M7103	1	17.5X56X5MM
12	206.016.030		1	BUTTON HEAD CAP SCREW, CL12.9 M16X30
13	1363651		1	FORMING DRUM
14	155979		1	COUPLER,JAW, 7/8" BORE, 1/4"X1/8" KEYWAY (Pair with Spider)
15	155980		1	SOLID CENTER, L090 SPIDER
16	10064.04.00015		1	KEYSTOCK,SQUARE 1/4" x1/4" X.9375"
17	155955		2	TWO-PIECE CLAMP-ON SHAFT COLLAR 1-3/16" BORE
18	122.010.016	19M7783	3	BOLT,HEX,FLANGE,CL10.9 M10X16
19	156111	AE37057	2	BEARING, INSERT, 1-1/4 HEX
20	101339	E79725	1	FLANGETTE, RND BEARING (PAIR) 72MM 3 BOLT
21	156049		2	SCREW, SOCKET HEAD, THREAD LOCKING, (5/16-18 X 1/2")
22	1363603		1	DRUM SHAFT

Model SC1500 Specialty Seed Header  
 For Serial Numbers SC1500-23001 thru SC1500-23999

**Deflector**

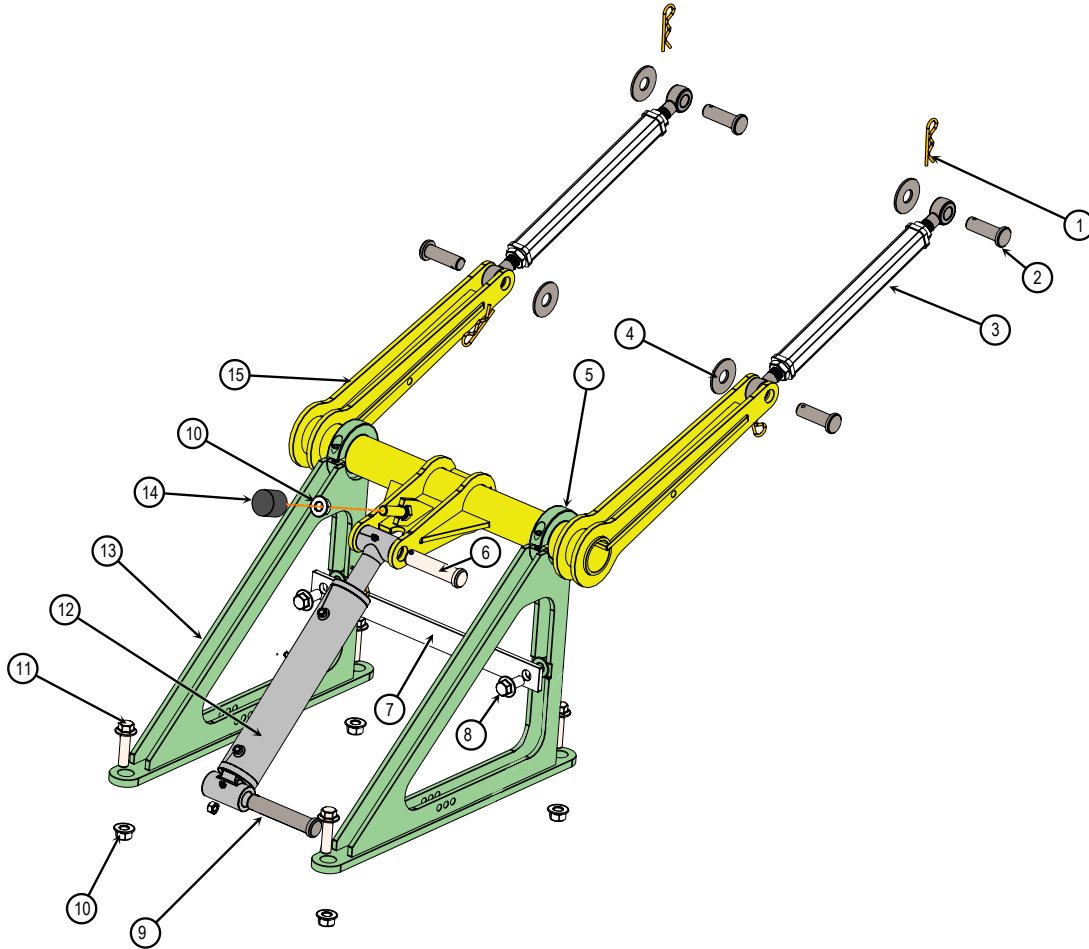


BOM ID	Hillco Part No.	John Deere Part No.	Qty	Description
1	1362622		2	SKIN, UPPER DEFLECTOR
2	1362552		1	DEFLECTOR, UPPER, COMPLETE
3	156232		139	POP RIVET,ZINC-PLATED, .65DIA HEAD, 3/16"STEM
4	122.008.050	19M8319	4	BOLT,HX,FL,CL10.9 M8X50
5	123.008	03M7216	14	NUT,HEX,FLANGE,CL10 M8
6	163.008.050	14M7298	10	BOLT, CARRAIGE.CL 8.8 M8 X 50
7	1362502		1	DEFLECTOR, LOWER, COMPLETE
8	1362542		2	SKIN, LOWER DEFLECTOR



Model SC1500 Specialty Seed Header  
For Serial Numbers SC1500-23001 thru SC1500-23999

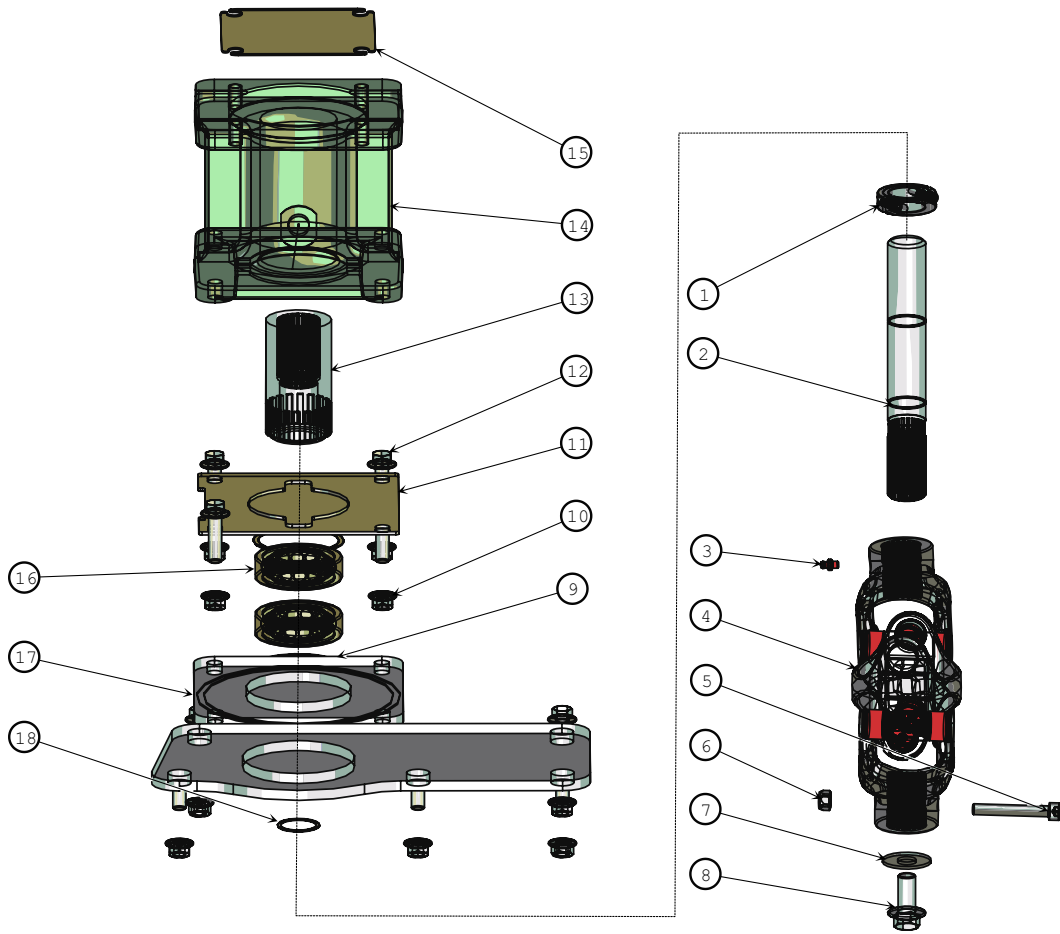
**Deflector Lift**



BOM ID	Hillco Part No.	John Deere Part No.	Qty	Description
1	144.010.038	PM00010	6	PIN,HITCH,CLIP 1/8" X 5/8" EYE DIA X 2-3/8" LENGTH
2	234.16.041		4	PIN, CLEVIS, M16x41MM USABLE LENGTH W/4MM HOLE
3	1375411		2	UPPER LINKAGE
4	105.010		4	WASHER,FLT 5/8
5	156207		2	COLLAR, SHAFT, TWO-PIECE CLAMPING 1-7/8"DIA
6	141.012		1	WASHER,3/4"x2-3/4"USABLE LENGTH W/5/32"HOLE
7	1375771		1	STRAP, PIVOT TOWER
8	122.012.025	19M7788	2	BOLT,HX,FL,CL10.9 M12X25
9	141.012.044		1	PIN, CLEVIS 3/4"x3-1/2"USEABLE LENGTH W/5/32" HOLE
10	123.012	14M7299	5	NUT,HX,FL,CL10 M12
11	122.012.045	19M7813	4	BOLT,HX,FL,CL10.9 M12X45
12	155690		1	CYLINDER, 1" ROD, 6" STROKE, 14" CPC
13	1375511		2	PIVOT TOWER
14	156202		1	BUMPER,NEOPRENE, M12x1.75MM,DUROMETER 70A
15	1375441		1	PIVOT ARM

Model SC1500 Specialty Seed Header  
For Serial Numbers SC1500-23001 thru SC1500-23999

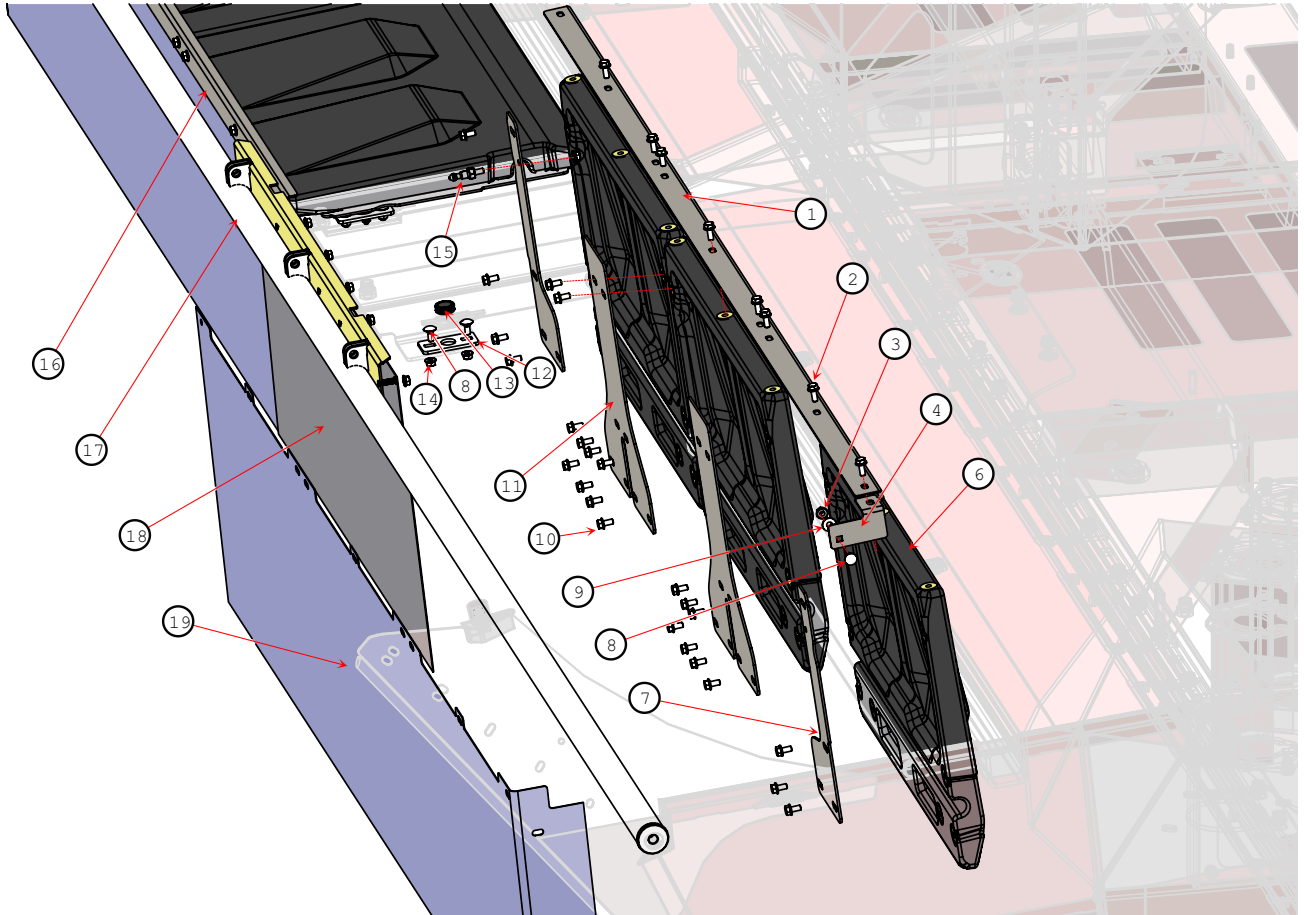
**Drive**



BOM ID	Hillco Part No.	John Deere Part No.	Qty	Description
1	156179		1	COLLAR TWO-PIECE CLAMPING, 1-5/16"OD
2	1379681		1	UPPER DRIVESHAFT, 21T SPLINE X 19T SPLINE, 9.09" L
3	133891		1	ZERK, STR, 1/8MNPT, LINCOLN,
4	156067		1	DRIVELINE,2300 SERIES 1-3/8 21T SPLINE x 1-3/8" 21T SPLINE
5	159.010.070		1	SCREW, SOCKET HEAD CAP, CL 12.9 M10X70
6	126.010		1	NUT,HEX,STOVER,CL10 M10
7	105.010		1	WASHER, FLAT 5/8
8	122.016.035	14M7299	1	BOLT,HEX:FLANGE, CL10.9 M16 X 35
9	156063		4	RETAINING RING, SPIRAL INTERNAL 3-1/8"BORE
10	123.012	14M7299	9	NUT,HEX,FLANGE,CL10 M12
11	1370851		1	MOTOR TOWER SHIM
12	122.012.045	19M7813	9	BOLT,HEX,FLANGE,CL10.9 M12X45
13	156075	E96427	1	MOTOR COUPLER
14	156056		1	ADAPTER, HYDRAULIC, MOTOR
15	1370861		1	TOWER CAP
16	156282		2	BEARING DGBB, 80MM OD X 35MM BORE, DUAL SHIELD
17	1368184		1	MOTOR MOUNT
18	156178		2	RETAINING RING, SPIRAL, EXTERNAL 1.277"ID

Model SC1500 Specialty Seed Header  
For Serial Numbers SC1500-23001 thru SC1500-23999

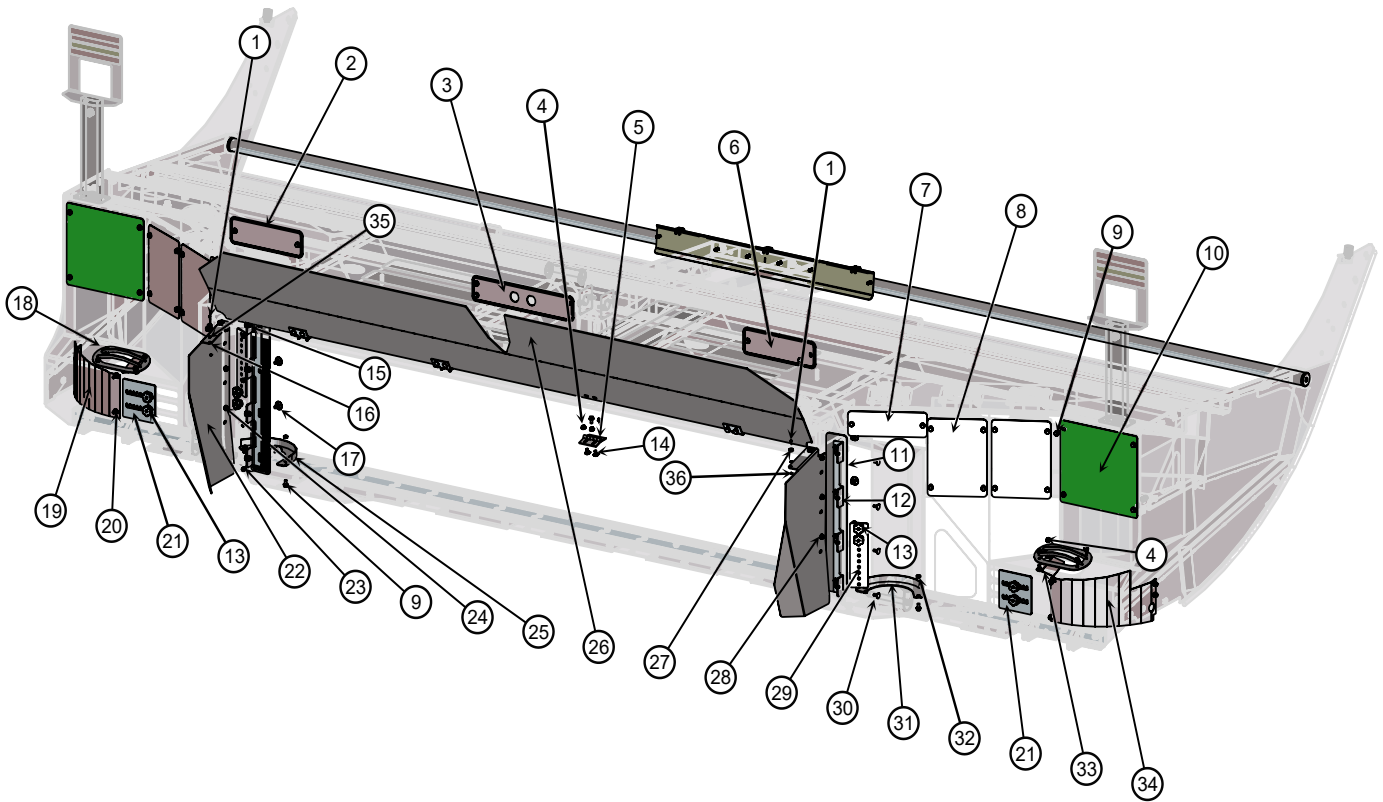
**Curtains and Doors**



BOM ID	Hillco Part No.	John Deere Part No.	Qty	Description
1	1363101	FH320640	1	CLAMP, LEFT, CURTAIN
2	122.008.020	19M7866	18	BOLT, HEX, FLANGE, CL10.9 M8 X 20MM
3	127.008	14M7400	2	NUT, HEX, FLANGE, NYLOCK, CL10 M8X1.25
4	1363161	FH325310	1	CORNER MOUNT, CURTAIN LEFT
NS*	1363171	FH325311	1	CORNER MOUNT, CURTAIN, RIGHT
6	156162	FH30090	6	DOOR, 2 PANEL
7	1363141	FH324044	4	EDGE SUPPORT, ACCESS PANEL
8	163.008.020	03M7184	6	BOLT, CARRIAGE, CL8.8 M8 X 20MM
9	105.005		4	WASHER, FLAT 5/16
10	122.008.016	19M7865	48	BOLT, HEX, FLANGE, CL10.9 M8 X 16MM
11	1363151	FH10468	4	CENTER SUPPORT, ACCESS PANEL
12	1364001	FH324046	2	GROMMET PLATE
13	156034	M162701	2	GROMMET
14	123.008	14M7298	12	NUT, HEX, FLANGE, CL10 M8
15	156035	FH324047	2	PIN, ANNULAR LOCK PIN
16	1363111	FH320641	1	CLAMP, RIGHT, CURTAIN
17	1373841		1	FRONT BRACE
18	156040	FH325585	1	SHIELD, (CENTER CURTAIN)
19	156039	FH325586	2	SHIELD, (LH & RH CURTAIN)

Model SC1500 Specialty Seed Header  
For Serial Numbers SC1500-23001 thru SC1500-23999

**Shields**



Model SC1500 Specialty Seed Header  
For Serial Numbers SC1500-23001 thru SC1500-23999

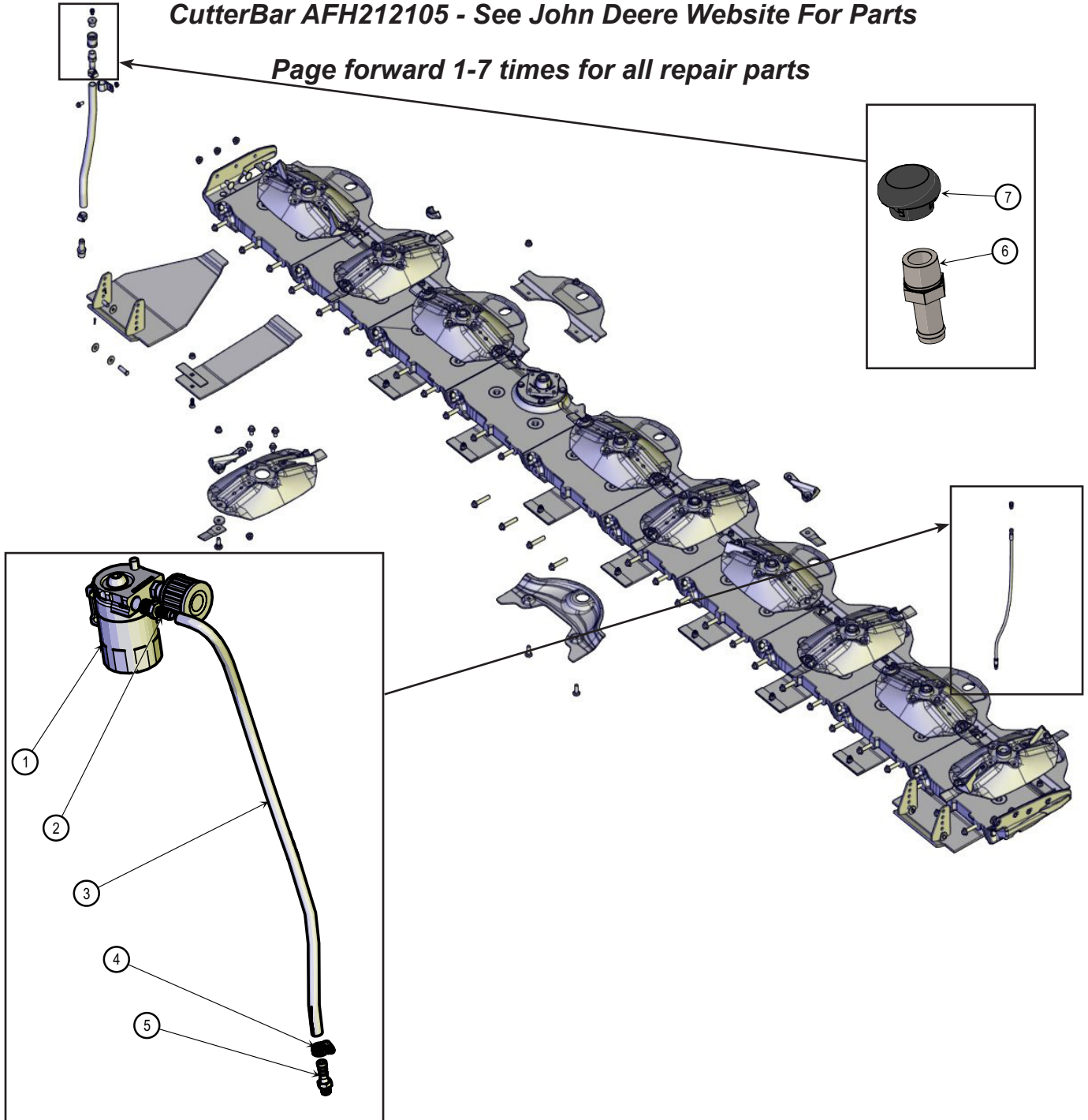
**Shields**

BOM ID	Hillco Part No.	John Deere Part No.	Qty	Description
1	114.#06.008		2	SCREW,PHM,CH 6-32X1/2
2	1376321		2	ACCESS PANEL, ROLLING GUIDE
3	1376291		1	ACCESS DOOR, CONTROLLER
4	123.008	14M7298	20	NUT, HEX, FLANGE, CL10 M8
5	156031	AE42346	4	HINGE
6	1364192		1	ACCESS PANEL, ROLLING GUIDE
7	1368092		2	TALL DRUM ACCESS DOOR
8	1368102		4	MIDDLE DRUM ACCESS DOOR
9	122.008.016	19M7865	52	BOLT, HEX, FLANGE, CL10.9 M8 X 16MM
10	1363342		2	OUTER DRUM ACCESS DOOR
11	1369272		2	FLAP, UHMW, BLACK 3/16-10062
12	1369262		2	FLAP MOUNT
13	156177		8	KNOB, PLASTIC, SIX ARM GRIP
14	163.008.016	03M7183	8	BOLT, CARRIAGE, CL8.8 M8 X 16MM
15	128.008	14M7298	15	NUT,HX,FL,STV,CL10 M8 X 1.25
17	157.005.016	19H1905	8	BOLT, ELEVATOR, 5/16-18 X 1"L
18	1379271		2	INLET GRATE
19	1359351		1	CORNER WALL, LEFT
20	163.008.025	03M7185	2	BOLT,CARRIAGE,CL8.8 M8 X 25MM
21	1363353		2	OUTER DAMPER
22	1367871		1	CHUTE SHIELD, LEFT
23	187.005	K40002	8	NUT, HEX, NYLOCK, GR8 5/16
24	122.008.020	19M7866	7	BOLT, HEX, FLANGE, CL10.9 M8 X 20MM
25	1374591		1	FENCE, LEFT
26	1363422		1	REAR SHIELD
27	156032		2	BUMPER,UNTHREADED, TAPERED RND, 43/64"ODx1/4"HIGH
28	1367911		1	CHUTE SHIELD, RIGHT
29	1368082		2	INNER DAMPENER
30	163.008.020	03M7184	19	BOLT, CARRIAGE, CL8.8 M8 X 20MM
31	1374621		1	FENCE, RIGHT
32	227.008		2	NUT, HEX WELD, M8
33	1376331		2	DEFLECTOR, GRATE
34	1359361		1	CORNER WALL,RIGHT
35	137.#06		2	WASHER, EXTERNAL TOOTH, #6
36	119.#06		2	NUT, HEX, FLANGE, SERRATED 6-32

**CutterBar and Catch Can**

**CutterBar AFH212105 - See John Deere Website For Parts**

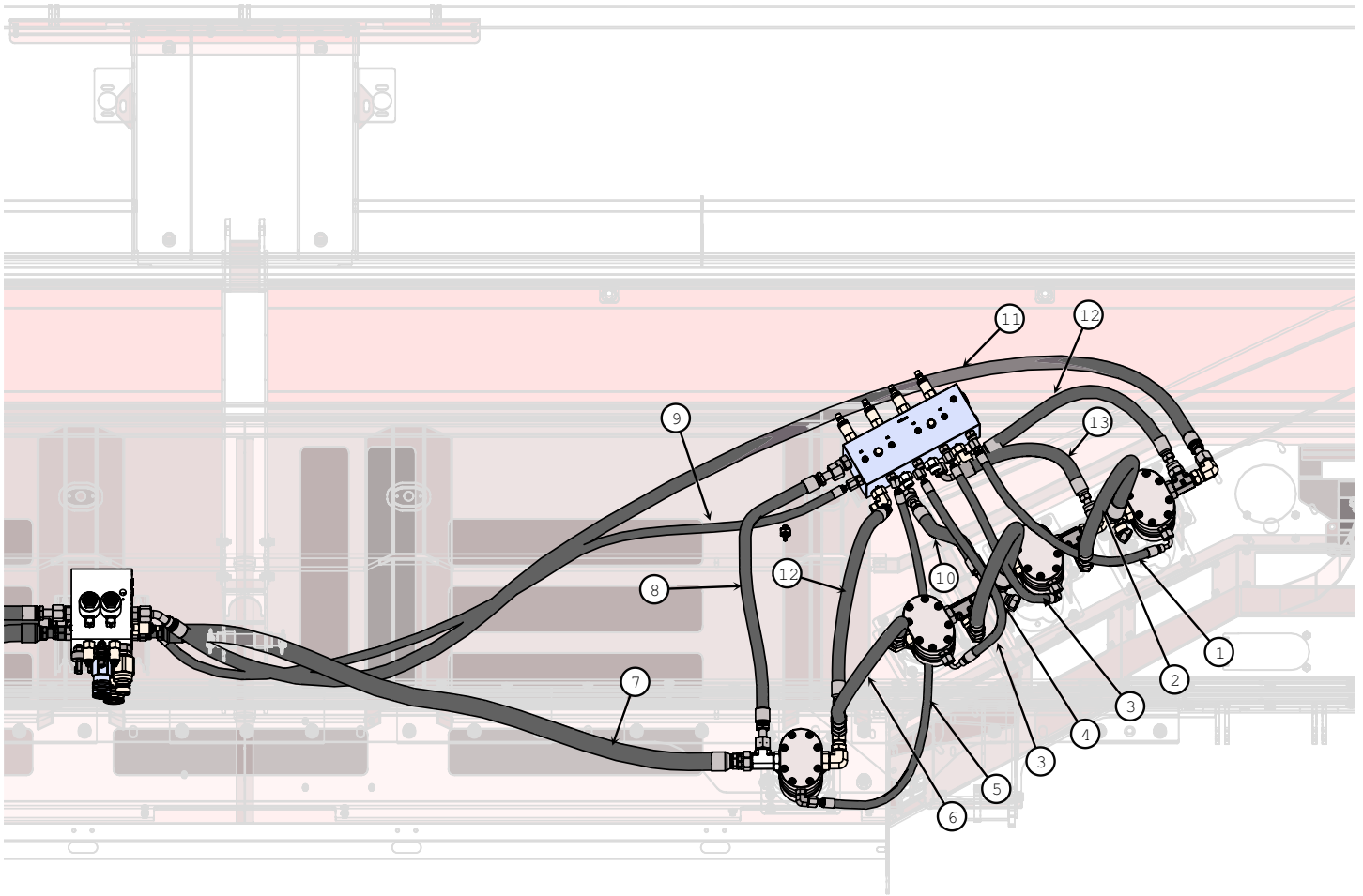
**Page forward 1-7 times for all repair parts**



BOM ID	Hillco Part No.	Qty	John Deere Part No.	Description
1	156289	1		OIL CATCH CAN
2	1090.06.06	1		BARBED HOSE FITTING FOR CHEMICALS AND PETROLEUM
3	10318.00615	1		BUNA-N RUBBER; 3/8"ID x 24-1/4"L
4	156294	1		WORM-DRIVE, 7/32" TO 5/8"
5	1090.02.06	1		1/8"NPT x 3/8"BARB STR
6	156058	1	H33801	FITTING,HOSE,STR,M19X-12MBARB
7	156286	1		VENT, BREATHER, WEATHER RESISTANT, 3/4NPT

Model SC1500 Specialty Seed Header  
For Serial Numbers SC1500-23001 thru SC1500-23999

**Hydraulic Hoses (Right)**



Model SC1500 Specialty Seed Header  
For Serial Numbers SC1500-23001 thru SC1500-23999

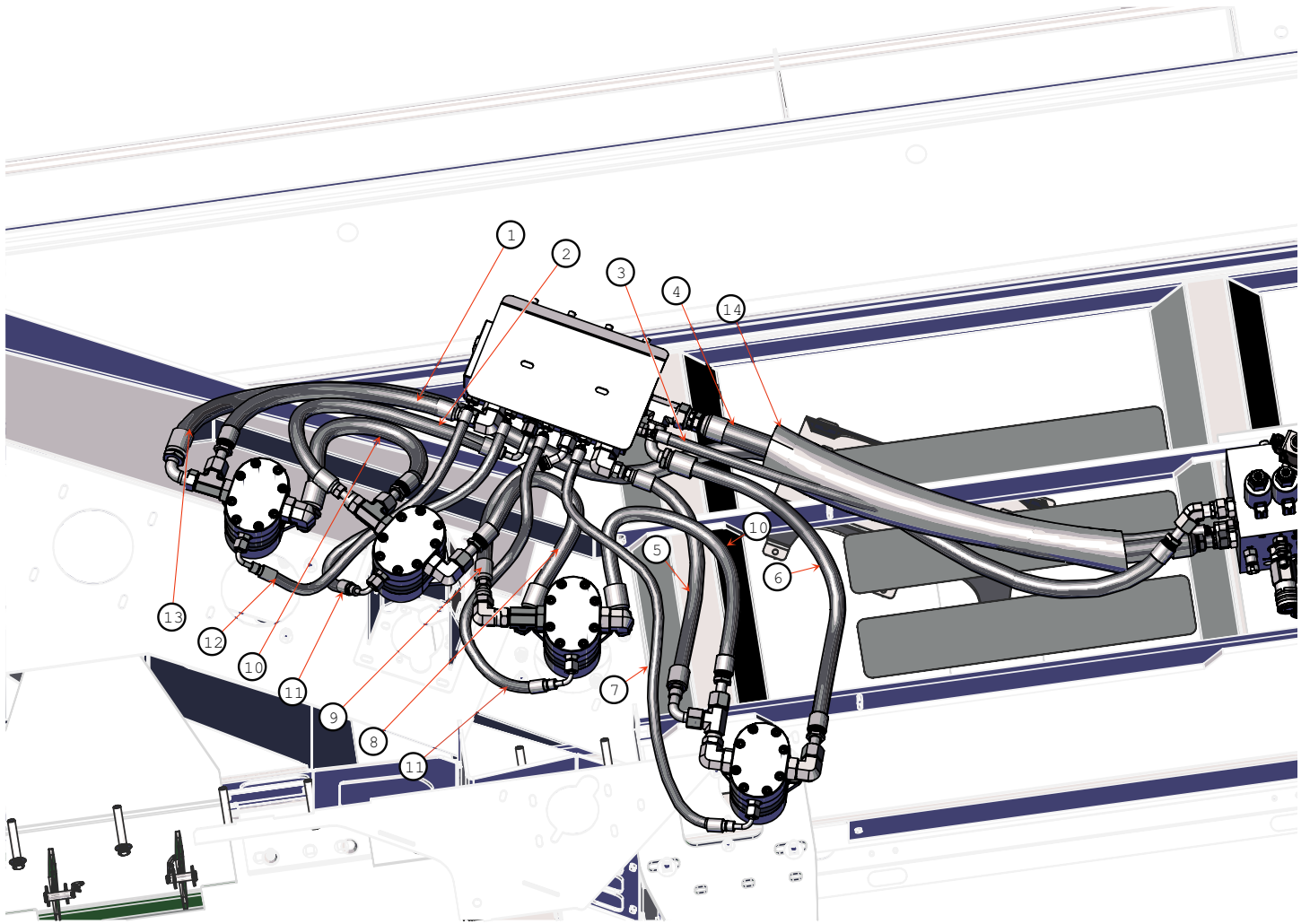
**Hydraulic Hoses (Right)**

BOM ID	Hillco Part No.	HoseDescription	Qty	Description
1	1377571	ROD PORT OF DEFLECTOR CYL TO "A" PORT OF CENTER MANIFOLD	1	100R17AR-04x43-1/2"; -04FORS STR x - 04FORS 90°D21MM
2	1377561	BASE PORT DEFLECTOR CYL TO "B" PORT CENTER MANIFOLD	1	100R17AR-04x35-1/2";-04FORFS STR x- 04FOFS 90°D21MM
3	10115.00512	XAS-B-35	1	SLEEVE, ABRASION, 2.19IDX32",NYLON
4	1368443	CONNECTS CENTER MANIFOLD "P" PORT TO THE #9 MOTOR "P" PORT	1	100R17AR-10x99";-10FORS STR x - 10FORS 45°
5	1368433	CONNECTS CENTER MANIFOLD "CD3" PORT TO RIGHT MANIFOLD "CD" PORT	1	100R17AR-10x99";-10FORS STR x - 10FORS 45°
6	10123.00864	XAS-B-35	1	SLEEVE, ABRASION 2.80ID X 54", NYLON
7	1376051	CONNECTS #6 MOTOR RETURN TO RIGHT MANIFOLD RETURN TEE	1	100R17AR-10x25-1/2" -10FORS STR X- 12FORS 90°D48MM
8	1368223	CONNECTS #6 MOTOR "P" TEE TO #7 MOTOR "T" PORT	1	100R17AR-10x23" -10FORS STR X - 10FORS 90°D32MM
8	1368223	CONNECTS #8 MOTOR "P" TEE TO #9 MOTOR "T" PORT	1	100R17AR-10x23" -10FORS STR X - 10FORS 90°D32MM
9	1379421	CONNECTS MOTOR 6 "P" TEE TO RIGHT MANIFOLD "P4"	1	100R17-10x20-1/2,-8FORS STR x- 10FORS90°D32MM
10	1376081	CONNECTS MOTOR 6 CD TO RIGHT MANIFOLD CD4 PORT	1	100R17AR-04x36";-06FORS STRx- 06FORS 90°D23mm
11	1368424	CONNECTS RIGHT MANIFOLD R PORT TO CENTER MANIFOLD R2 PORT	1	100R17AR-12x63";-10FORS STR x - 12FORS STR
12	1379391	CONNECTS MOTOR 7 "P" TEE TO MOTOR 8 "T" PORT	1	100R17AR-10x22-1/2",-10FORS STR x - 10FORS 45°
13	1368303	CONNECTS MOTOR 8 "CD" PORT TO RIGHT MANIFOLD "C2" PORT	1	100R17AR-4x21"; -6FORS STR x - 6FORS90°D23MM
13	1368303	CONNECTS MOTOR 7 "CD" PORT TO RIGHT MANIFOLD "C3" PORT	1	100R17AR-4x21"; -6FORS STR x - 6FORS90°D23MM
14	1379411	CONNECTS MOTOR 7 "P" TEE TO RIGHT MANIFOLD "P3"		100R17AR-8x15-1/2",-10FORS STR x- 8FORS 45°
15	1368213	CONNECTS MOTOR 9 "CD" TO RIGHT MANIFOLD "C1"		100R17AR-4x22", -6FORS STR x -6FORS STR
16	1379401	CONNECTS MOTOR 8 "P" TEE TO RIGHT MANIFOLD "P2"		100R17AR-8x24-1/2",-10FORS STR x- 8FORS 90° D64mm
17	1376022	CONNECTS MOTOR 9 "P" TEE TO RIGHT MANIFOLD "P1"		100R17AR-08x21-1/2",-08FORS STRx- 10FORS STR



Model SC1500 Specialty Seed Header  
For Serial Numbers SC1500-23001 thru SC1500-23999

**Hydraulic Hoses (Left)**



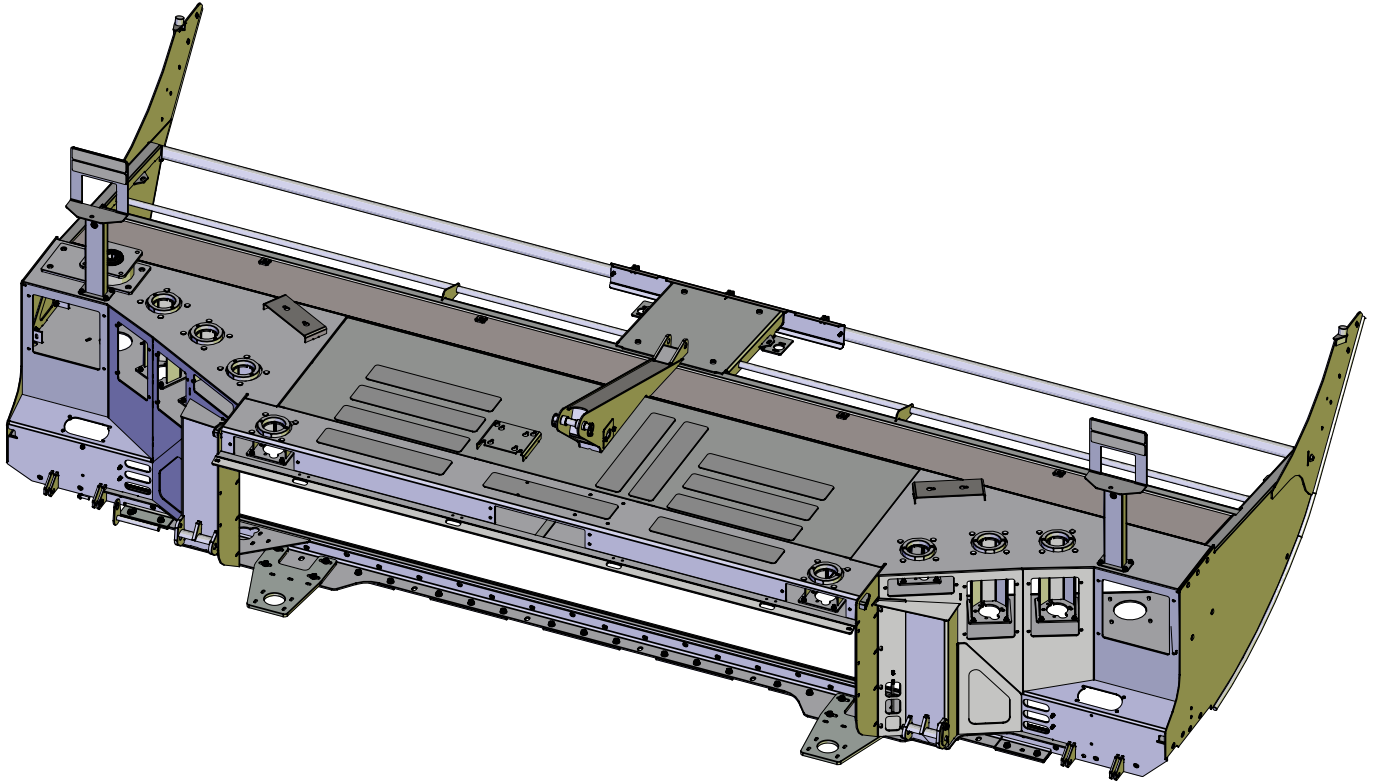
Model SC1500 Specialty Seed Header  
For Serial Numbers SC1500-23001 thru SC1500-23999

**Hydraulic Hoses (Left)**

BOM ID	Hillco Part No.	HoseDescription	Qty	Description
1	1376022	CONNECTS MOTOR 2 "P" PORT TO LEFT MANIFOLD "P1" PORT	1	100R17AR-08x21-1/2",-08FORS STRx-10FORS STR
2	1379401	CONNECTS MOTOR 3 "P" TEE TO LEFT MANIFOLD "P2" PORT	1	100R17AR-8x24-1/2",-10FORS STR x-8FORS 90° D64mm
3	1368393	CENTER MANIFOLD "CD1" PORT TO LEFT MANIFOLD "CD" PORT	1	100R17AR-4x38-1/2",-6FORS STR x -6FORS STR
4	1368404	CONNECTS MANIFOLD "R" PORT TO CENTER MANIFOLD "R" PORT	1	100R17AR-12x35-1/2",-10FORS STR x -12FORS STR
5	1379421	CONNECTS MOTOR 5 "P" TEE TO LEFT MANIFOLD "P1"	1	100R17-10x20-1/2",-8FORS STR x-10FORS90°D32MM
6	1376051	CONNECTS #5 MOTOR RETURN TO LEFT MANIFOLD "R4" PORT	1	100R17AR-10x25-1/2" -10FORS STR X-12FORS 90°D48MM
7	1376081	CONNECTS MOTOR 5 "CD" TO LEFT MANIFOLD "CD4" PORT	1	100R17AR-04x36",-06FORS STRx-06FORS 90°D23mm
8	1379391	CONNECTS MOTOR 3 "T" TO MOTOR 4 "P" TEE	1	100R17AR-10x22-1/2",-10FORS STR x -10FORS 45°
9	1379411	CONNECTS MOTOR 4 "P" TEE TO LEFT MANIFOLD "P2"	1	100R17AR-8x15-1/2",-10FORS STR x-8FORS 45°
10	1368223	CONNECTS MOTOR 2 "T" PORT TO MOTOR 3 "P" TEE	1	100R17AR-10x23" -10FORS STR X -10FORS 90°D32MM
10	1368223	CONNECTS MOTOR 4 "T" PORT TO MOTOR 5 "P" TEE	1	100R17AR-10x23" -10FORS STR X -10FORS 90°D32MM
11	1368303	CONNECTS MOTOR 3 "CD" TO LEFT MANIFOLD "C2" PORT	2	100R17AR-4x21"; -6FORS STR x -6FORS90°D23MM
11	1368303	CONNECTS MOTOR 4 "CD" TO LEFT MANIFOLD "C3" PORT	2	100R17AR-4x21"; -6FORS STR x -6FORS90°D23MM
12	1368213	CONNECTS MOTOR 2 "CD" TO LEFT MANIFOLD "C1" PORT	1	100R17AR-4x22", -6FORS STR x -6FORS STR
13	1368413	CONNECTS CENTER MANIFOLD "P1" PORT TO MOTOR 2 "P" TEE	1	100R17AR-10x77",-10FORS STR x -10FORS 90°D32MM
14	10123.00512	XPS-B-45	1	SLEEVE, ABRASION 2.80ID X 32" NYLON

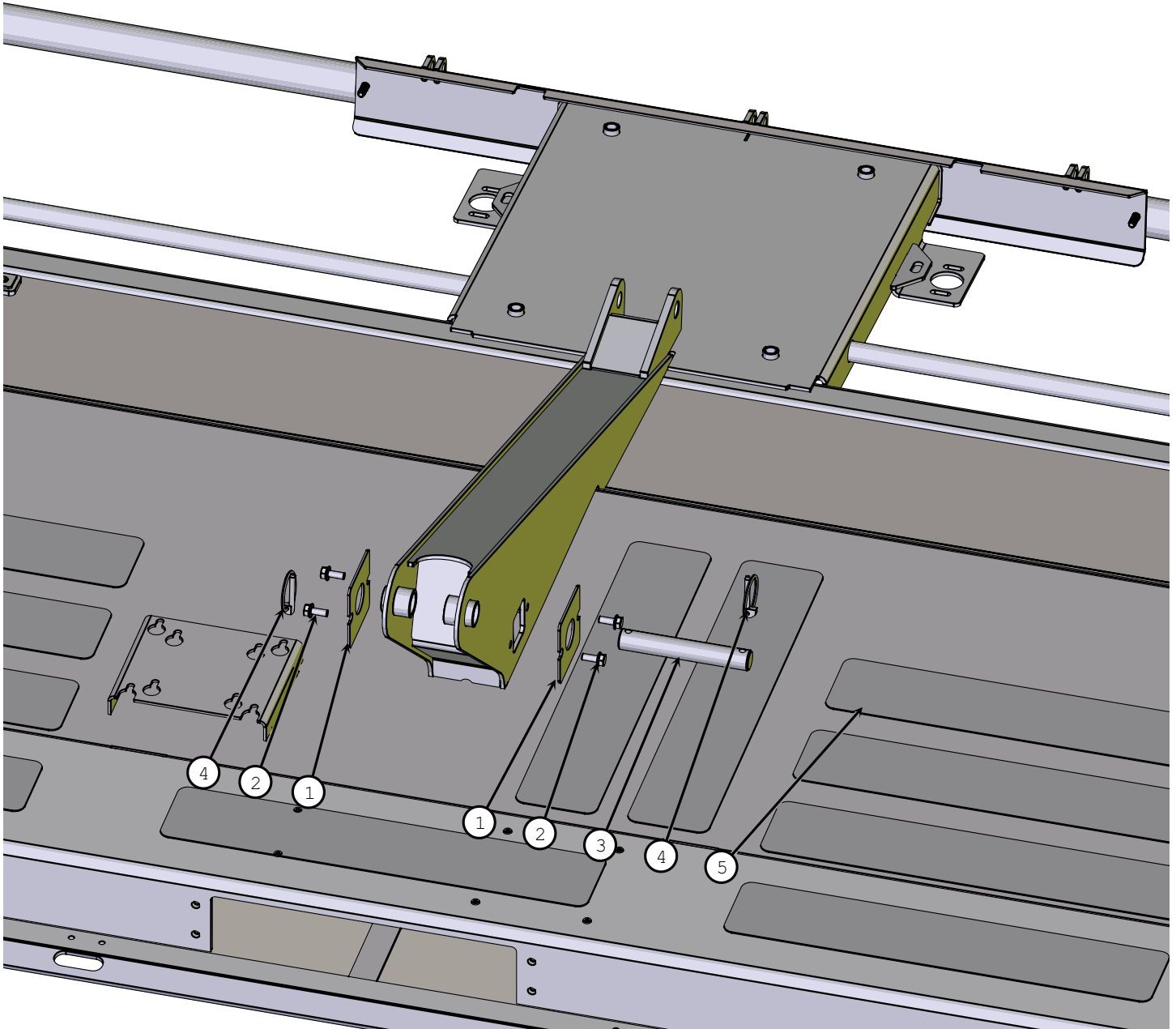
Model SC1500 Specialty Seed Header  
For Serial Numbers SC1500-23001 thru SC1500-23999

**Frame**



Model SC1500 Specialty Seed Header  
 For Serial Numbers SC1500-23001 thru SC1500-23999

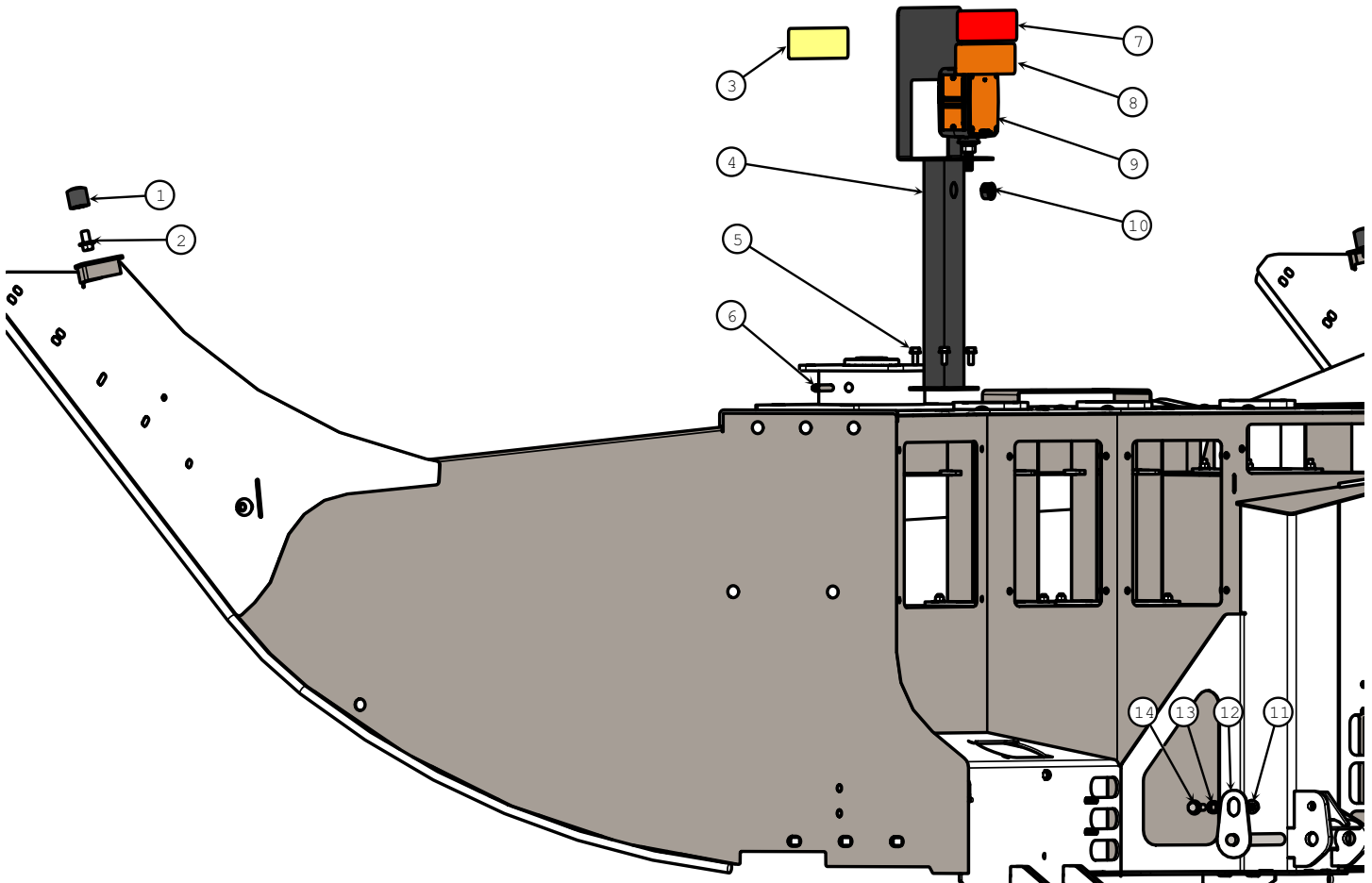
**Frame (Center)**



BOM ID	Hillco Part No.	Qty	John Deere Part No.	Description
1	1376131	2		PANEL MNT
2	122.008.020	4	19M7866	BOLT,HEX,FLANGE,CL10.9 M8X20
3	1368031	1		PIN, TOP LINK
4	156044	1	AA21292	PIN, QUICK LOCK
5	10262.064.336	11		4" WIDE X 21" LONG

Model SC1500 Specialty Seed Header  
 For Serial Numbers SC1500-23001 thru SC1500-23999

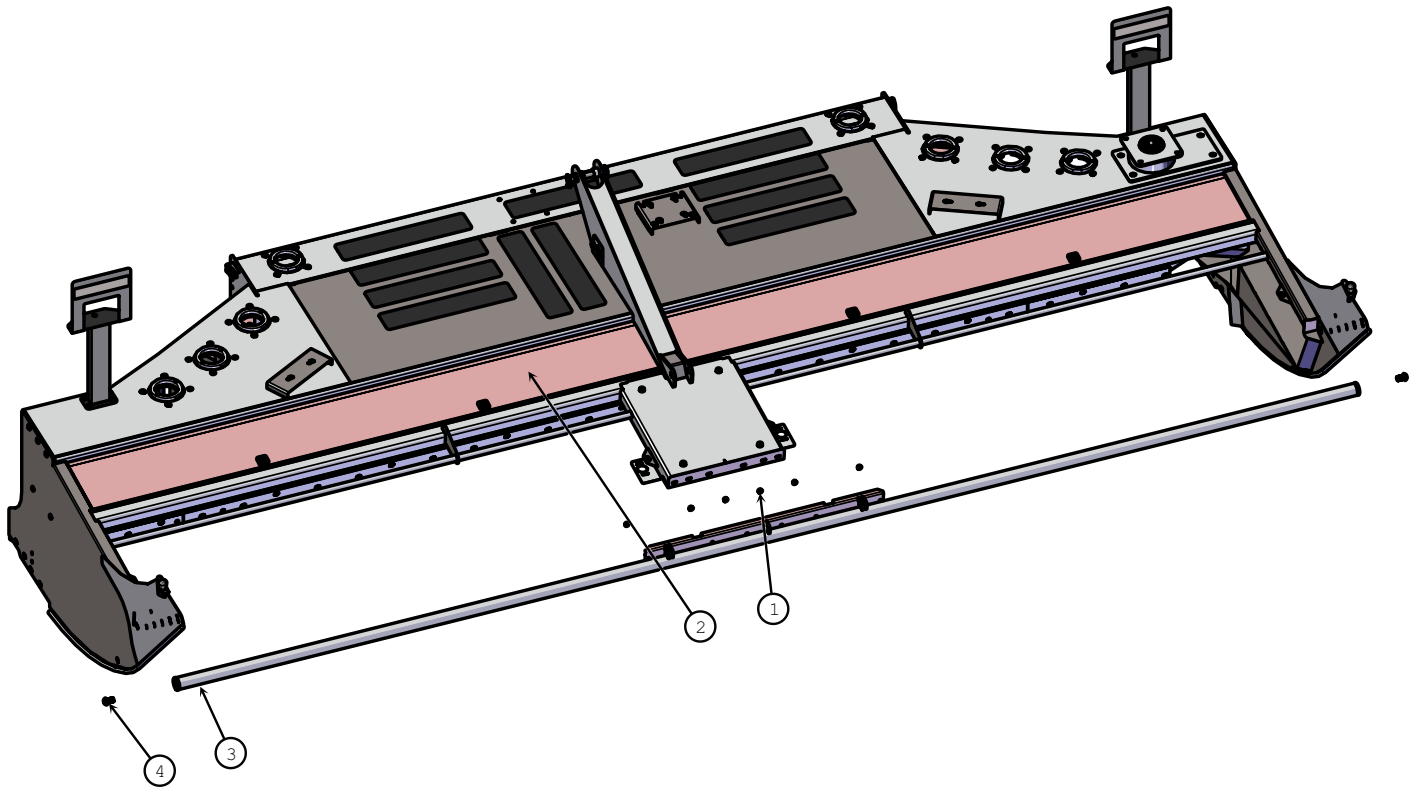
**Frame (Left and Right)**



BOM ID	Hillco Part No.	Qty	John Deere Part No.	Description
1	156202	1		BUMPER,NEOPRENE, M12x1.75MM, DUROMETER 70A
2	122.012.020	1	19M7787	BOLT, HEX, FLANGE, CL10.9 M12X20MM
3	1347441	1		STICKER, YELLOW, 2"X9"
4	1367831	1		WARNING LIGHT STAND
5	122.008.020	4	19M7866	BOLT,HEX, FLANGE, CL10.9 M8X20MM
6	156009	1		ZERK,GREASE,STR, 1/8NPTX 2-5/8" (LEFT ONLY)
7	1347431	1		STICKER, RED, 2"X9"
8	1347451	1		STICKER, RED/ORANGE, 2"X9"
9	156030	1	AFH213195	LAMP, WARNING
10	156029	1		GROMMET, EXPANDABLE LOCKING 1"
11	123.010	1	14M7296	NUT, HEX, FLANGE, CL10 M10
12	1367981	1		LIFT PIN
13	1364061	1		BUSHING, LIFT PIN
14	122.010.035	1	19M7835	BOLT, HEX, FLANGE, CL10.9 M10X35

Model SC1500 Specialty Seed Header  
 For Serial Numbers SC1500-23001 thru SC1500-23999

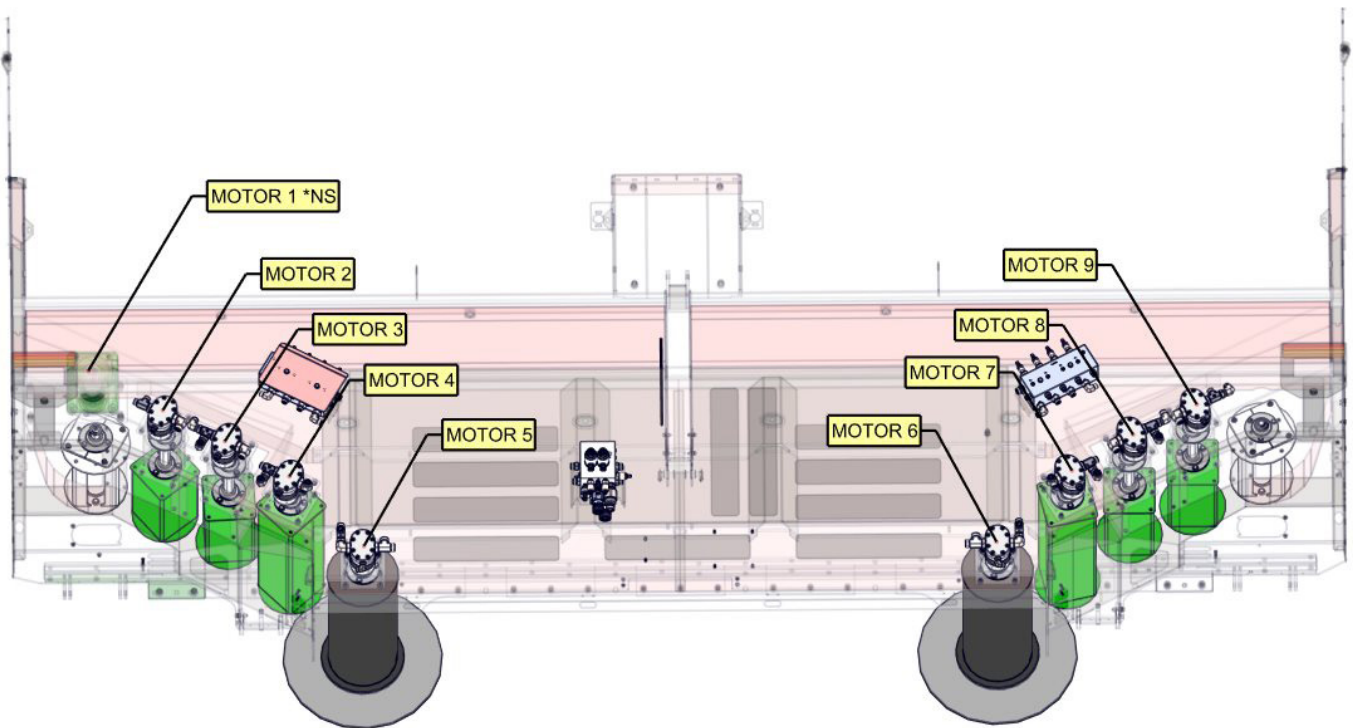
**Frame (Front)**



BOM ID	Hillco Part No.	Qty	John Deere Part No.	Description
1	123.008	6	14M7298	NUT, HEX, FLANGE, CL10 M8x1.25
2	1368922	1		FRAME
3	1373841	1		FRONT BRACE
4	206.016.030	2		SCREW, BUTTON HEAD SOCKET CAP, CL12.9 M16 X 30MM

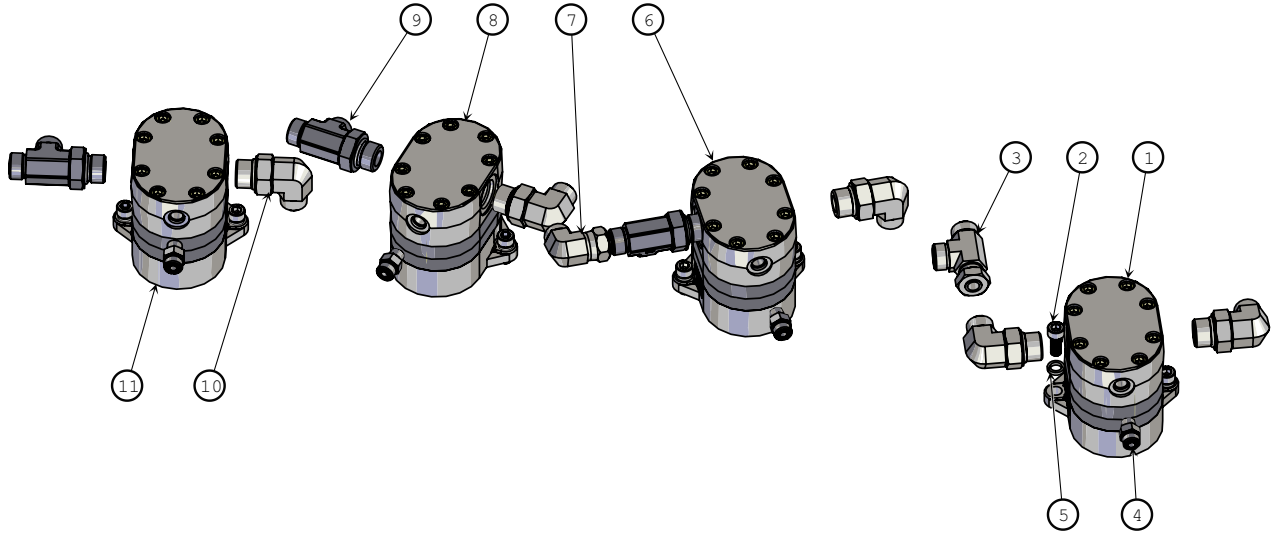
Model SC1500 Specialty Seed Header  
For Serial Numbers SC1500-23001 thru SC1500-23999

**Hydraulic Motors**



Model SC1500 Specialty Seed Header  
 For Serial Numbers SC1500-23001 thru SC1500-23999

**Left Motors And Fittings**



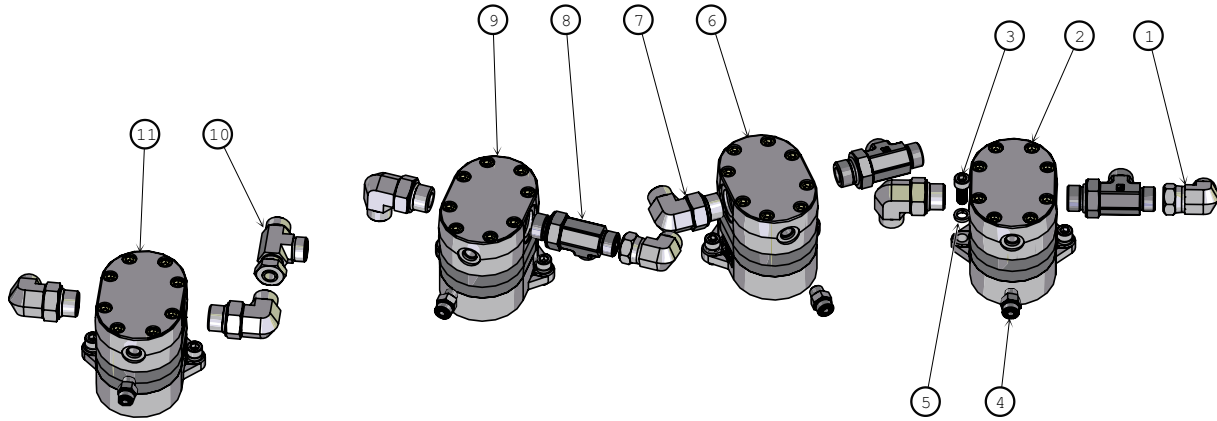
BOM ID	Hillco Part No.	John Deere Part No.	Qty	Description
1	156071	99JD70421	1	MOTOR HYD, 32CC, D SERIES
2	135.007		8	WASHER,LCK,HIGH COLLAR 7/16
3	1008.10		1	HA,TEE,SWV,NUT,RUN -10 ORFS
4	1001.06.06		4	HA, STR -6MORB X -6MORFS
5	237.010.025		8	SCREW,SHC,CL12.9 M10 X 1.5 X 25
6	156070	99JD70422	1	MOTOR HYD, 25CC, D SERIES
7	1006.10.10		1	HA, 90°, -10FORFS X -10MORFS
8	156164		1	MOTOR HYD, 21CC, DSERIES W/SPEED SENSOR
9	1007.12.10		3	HA TEE, STR,THD,RUN,-12ORBx-10ORS
10	1003.12.10		5	HA, 90° -12MORB X 10MORFS
11	155945	99JD70423	1	MOTOR HYD, 21CC, D SERIES
*ns	156275		1	D SERIES HALL EFFECT SPEED SENSOR
*ns		99JD70424		"D" SERIES MOTOR SEAL KIT

\*ns = not shown



Model SC1500 Specialty Seed Header  
 For Serial Numbers SC1500-23001 thru SC1500-23999

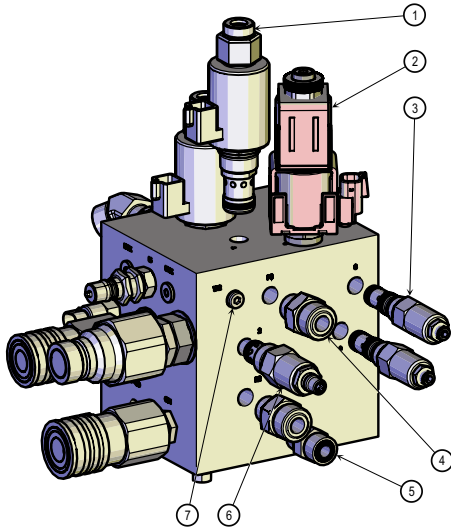
**Right Motors And Fittings**



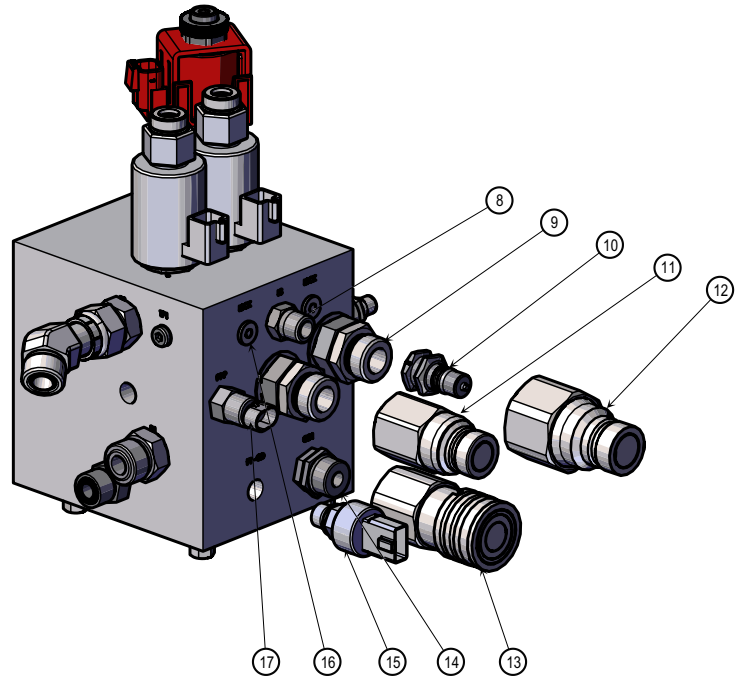
BOM ID	Hillco Part No.	John Deere Part No.	Qty	Description
1	1006.10.10		2	HA, 90°, -10FORFS X -10MORFS
2	155945	99JD70423	1	21CC, D SERIES (83036100)
3	237.010.025		8	SCREW,SHC,CL12.9 M10 X 1.5 X 25
4	1001.06.06		4	HA, STR -6MORB X -6MORFS
5	135.007		8	WASHER,LCK,HIGH COLLAR 7/16
6	156164		1	MOTOR HYD, 21CC, DSERIES W/SPEED SENSOR
7	1003.12.10		5	HA, 90° -12MORB X 10MORFS
8	1007.12.10		3	HA TEE, STR,THD,RUN,-12ORBx-10ORS
9	156070	99JD70422	1	MOTOR HYD, 25CC, D SERIES
10	1008.10		1	HA,TEE,SWV,NUT,RUN -10 ORFS
11	156071	99JD70421	1	MOTOR HYD, 32CC, D SERIES
*ns	156275		1	D SERIES HALL EFFECT SPEED SENSOR
*ns		99JD70424		"D" SERIES MOTOR SEAL KIT

Model SC1500 Specialty Seed Header  
For Serial Numbers SC1500-23001 thru SC1500-23999

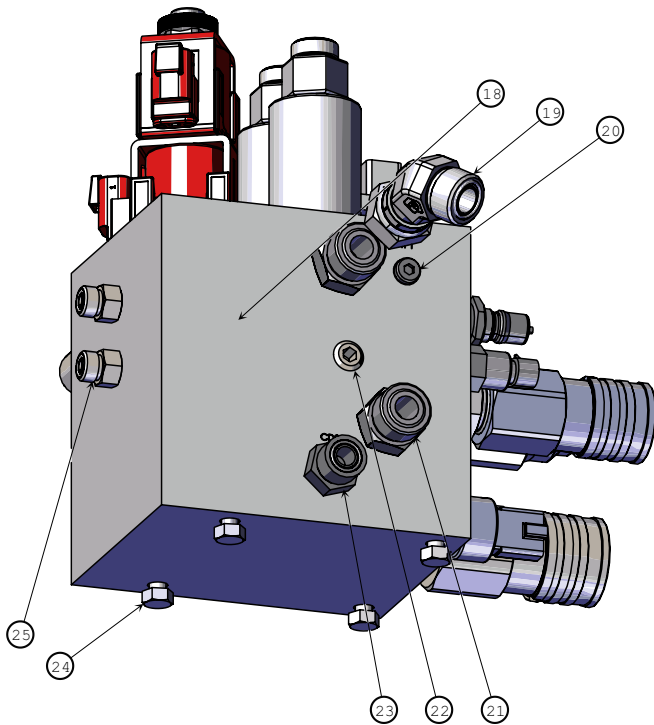
**Center Manifold**



**Right and Top**



**Rear**



**Left and Front**

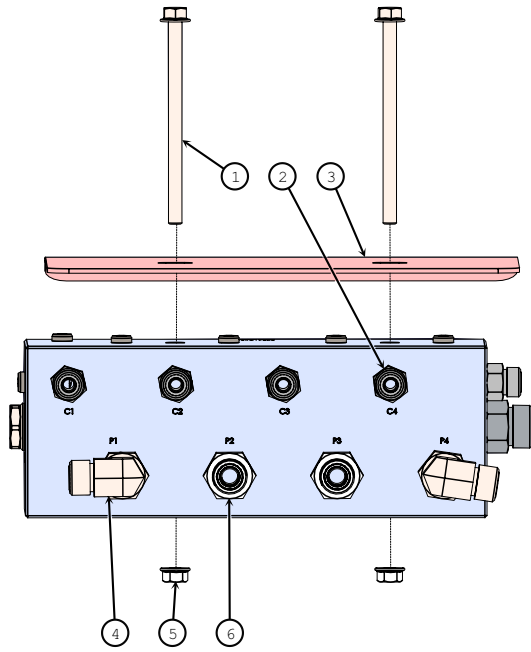
Model SC1500 Specialty Seed Header  
For Serial Numbers SC1500-23001 thru SC1500-23999

**Center Manifold**

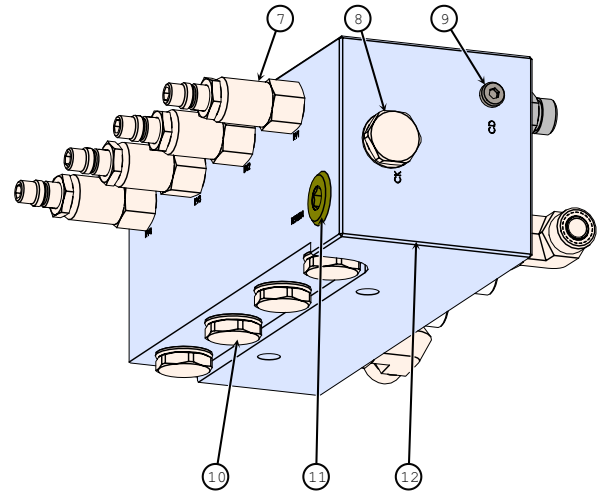
BOM ID	Hillco Part No.	Qty	John Deere Part No.	Description
1	156124	2	99JD71506	VALVE, PROPORTIONAL, FLOW CONTROL
2	156126	1	99JD71519	VALVE, SOLENOID, DIRECTING ACTING, 3-POS, 5-WAY
3	156128	2	99JD71531	VALVE, LOAD CHECK,3 PORTED,
4	1001.08.10	2		HA, STR -8MORB X -10MORFS
5	1001.08.06	1		HA, STR -8MORB X -6MORFS
6	156120	1	99JD71508	VALVE, RELIEF, PILOT OPERATED, 3KPSI
7	1019.04	1	99JD71523	PLUG, SKT, HD -4ORB
8	1027.04.06	1		STRAIGHT -4MORB X -6MORB
9	1027.12.12	2		STRAIGHT -12MORB X -12MORB
10	156118	1		COUPLING PLUG HYD, QUICK 1/4" BODY, -6ORB
11	156115	1		COUPLER COUPLING, HYD QUICK, -12FORB
12	156113	1		COUPLER PLUG,HYD,QUICK,-12FORB
13	156116	1		COUPLER COUPLING, HYD QUICK,-10FORB
14	1027.08.10	1		STRAIGHT -8MORB X -10MORB
15	156132	1	AXE16689	TRANSDUCER, OIL PRESSURE
16	156127	2	99JD71507	VALVE, CHECK, REVERSE FLOW,CP104-1
17	156131	1	RE204264	SENSOR, OIL PRESSURE
18	1372871	1	99JD71522	CENTER MANIFOLD
19	1005.10.10	1		HA 45° -10MORS -10FORS
20	1019.04	1	99JD71523	PLUG, SKT, HD -4ORB
21	1001.08.10	2		HA, STR -8MORB X -10MORFS
22	1019.06	1		HA,PLUG,SKT,HD
23	1001.08.06	1		HA, STR -8MORB X -6MORFS
24	101.005.012	4		BOLT, HEX, GR5, 5/16-18 X 34
25	1001.04.04	2		HA, STR -4MORB X -4MORFS

Model SC1500 Specialty Seed Header  
For Serial Numbers SC1500-23001 thru SC1500-23999

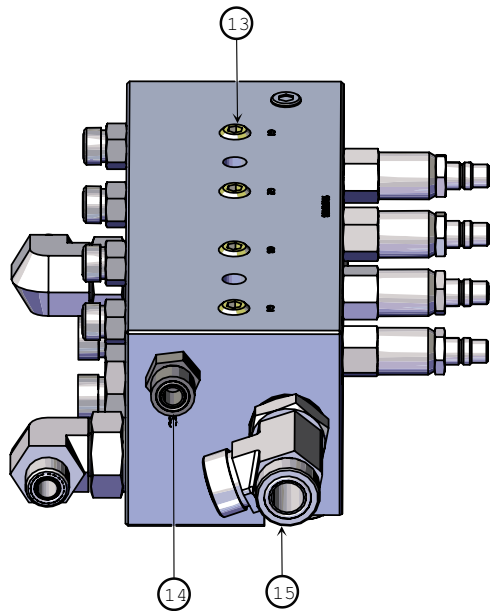
**Left Manifold**



**Rear**



**Left, Bottom, and Front**



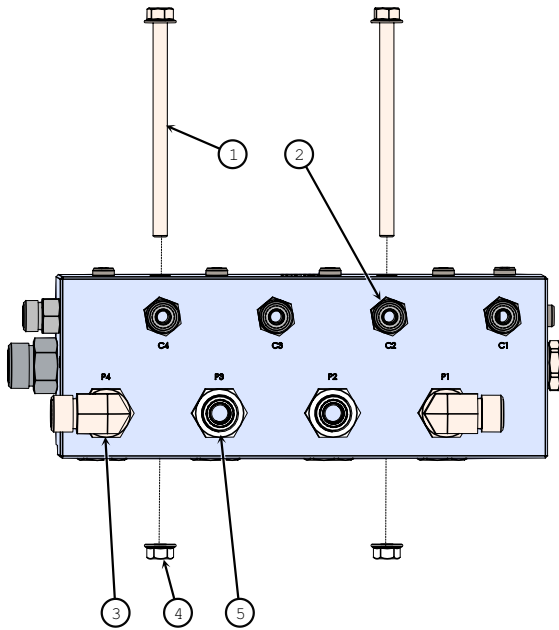
**Right and Top**

Model SC1500 Specialty Seed Header  
 For Serial Numbers SC1500-23001 thru SC1500-23999

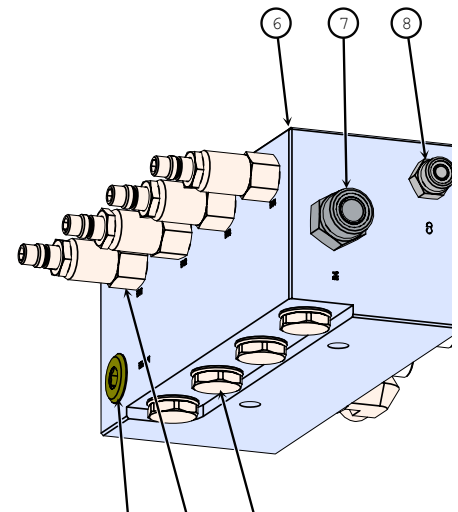
**Left Manifold**

BOM ID	Hillco Part No.	Qty	John Deere Part No.	Description
1	122.008.120	2	19M8006	BOLT, HEX, FLANGE, CL,10.9 M8 X 120MM
2	1001.06.06	4		STRAIGHT -6MORB X -6MORFS
3	1369471	1		HOSE SHIELD
4	1003.10.08	2		90° -10MORB X -8MORFS
5	123.008	2	14M7298	NUT, HEX, FLANGE, CL10 M8
6	1001.10.08	2		STRAIGHT, -8MORS X -10MORB
7	156125	4	99JD70101	VALVE, RELIEF PILOT OPERATED,3K PSI
8	156122	1	99JD70102	VALVE, CHECK, POPPET,15PSI,CV10
9	1019.04	1		PLUG, SKT, HD -4ORB
10	156123	4	99JD71507	POPPET, 5PSI, CV08
11	1019.10	1		PLUG, SKT, HD -10ORB
12	1372891	1		MANIFOLD, HYD, WING, LEFT
13	1019.06	5		HA:PLUG:SKT:HD -6ORB
14	1001.08.06	1		HA, STR -8MORB X -6MORFS
15	1007.12	1		HA TEE STR, THD, RUN 12 ORFS

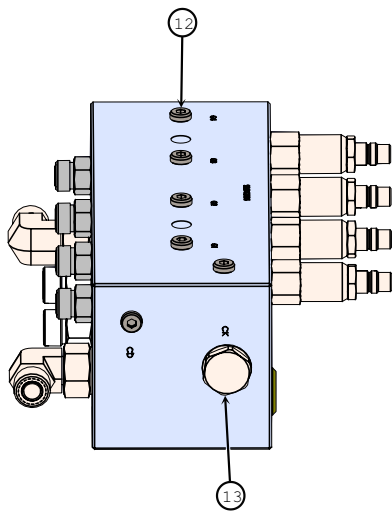
Model SC1500 Specialty Seed Header  
For Serial Numbers SC1500-23001 thru SC1500-23999



**Rear**



**Left, Bottom, and Front**



**Right and Top**

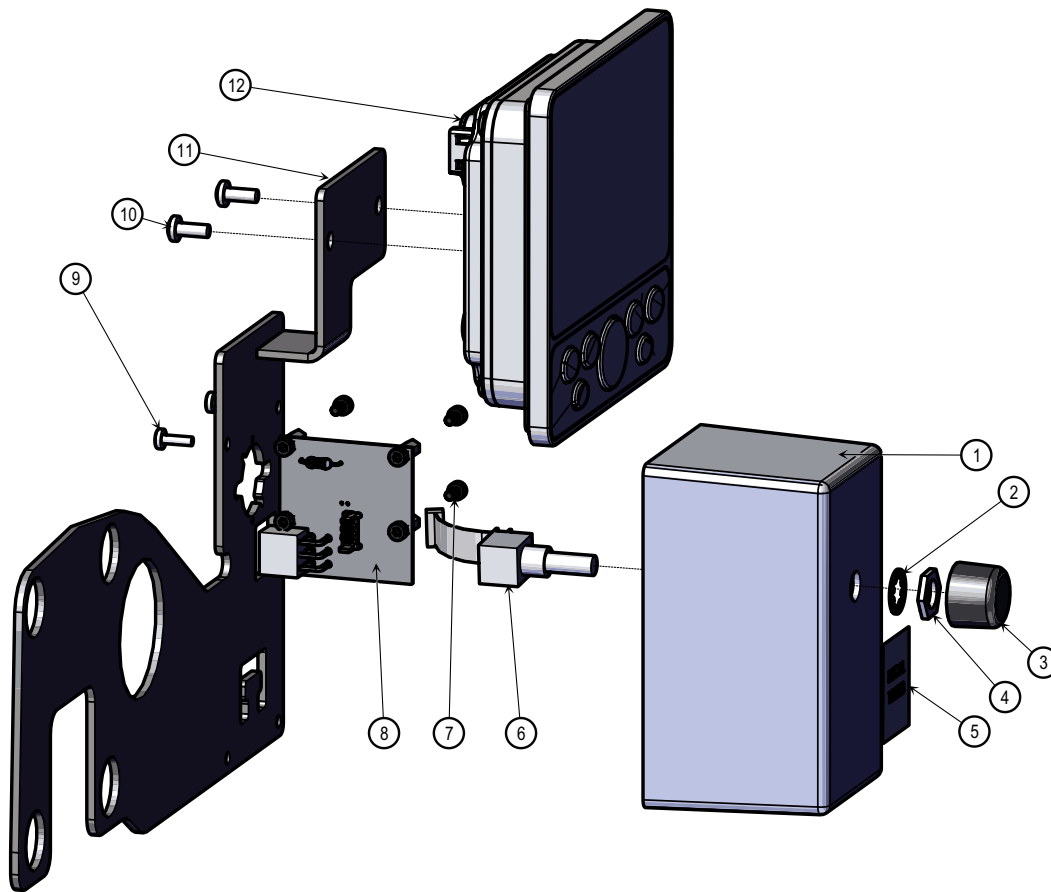
Model SC1500 Specialty Seed Header  
 For Serial Numbers SC1500-23001 thru SC1500-23999

***Right Manifold***

BOM ID	Hillco Part No.	Qty	John Deere Part No.	Description
1	122.008.120	2	19M8006	BOLT, HEX, FLANGE, CL,10.9 M8 X 120MM
2	1001.06.06	4		STRAIGHT -6MORB X -6MORFS
3	1003.10.08	2		90° -10MORB X -8MORFS
4	123.008	2	14M7298	NUT, HEX, FLANGE, CL10 M8
5	1001.10.08	2		STRAIGHT, -8MORS X -10MORB
6	1372901	1		MANIFOLD, HYD, WING, RIGHT
7	1007.12	1		HA TEE STR, THD, RUN 12 ORFS
8	1001.08.06	1		HA, STR -8MORB X -6MORFS
9	1019.12	1		HA:PLUG:SKT:HD -12ORB
10	156125	4	99JD70101	VALVE, RELIEF PILOT OPERATED,3K PSI
11	156123	4	99JD71507	VALVE, CHECK, POPPET, 5PSI, CV08
12	1019.04	6		PLUG, SKT, HD -4ORB
13	156122	1	99JD70102	VALVE CHECK, POPPET, 15PSI, CV10

Model SC1500 Specialty Seed Header  
 For Serial Numbers SC1500-23001 thru SC1500-23999

**Display**



BOM ID	Hillco Part No.	Qty	John Deere Part No.	Description
1	1377591	1		BOX, ENCODER MOUNT
2	138.006	1		WASHER, INTERNAL TOOTH, 3/8"
3	156230	1		KNOB, ENCODER
4	174.006	1		NUT, JAM, 3/8"
5	156238	1		DECAL, SWITCH BOX, SPECIALTY HEADER
6	156227	1		ENCODER, OPTICAL
7	237.003.006	4		SCREW, ALLOY STEEL SOCKET HEAD 6MM
8	1377601	1		PCB, VOLTAGE REGULATOR CIRCUIT, 5V
9	114.#06.006	4		SCREW, PAN HEAD MACHINE, CH 6-32X3/8
10	171.004.010	2	99JD81019	SCREW, PAN HEAD MACHINE, CH M4 X 10
11	1347232	1		MOUNT, 700 SERIES LEVELER CONTROLS
12	156038	1		DISPLAY, DANFOSS, DM430E-1-0-1-0



Model SC1500 Specialty Seed Header  
For Serial Numbers SC1500-23001 thru SC1500-23999

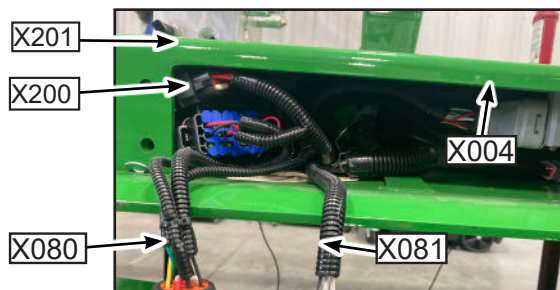
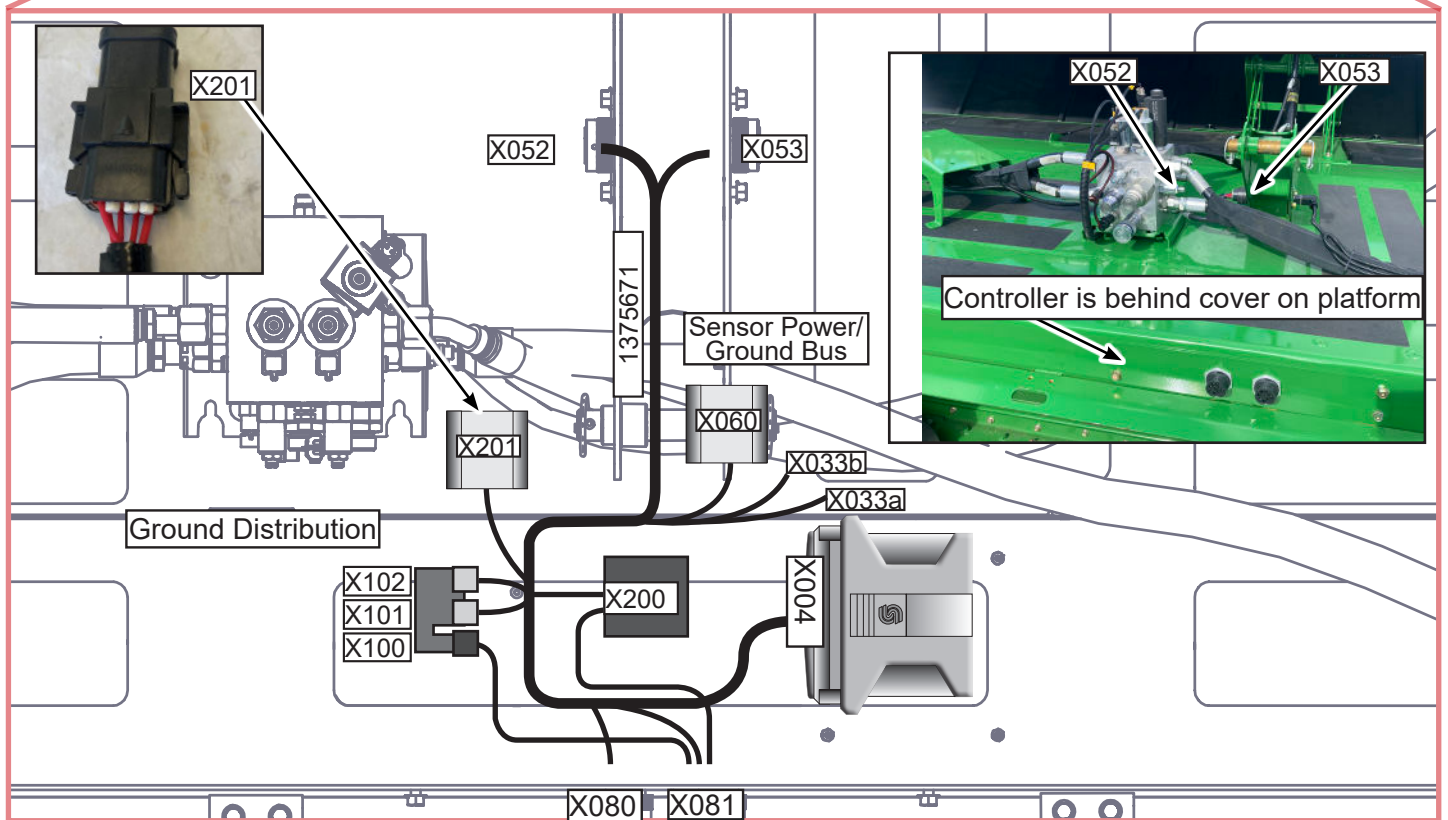
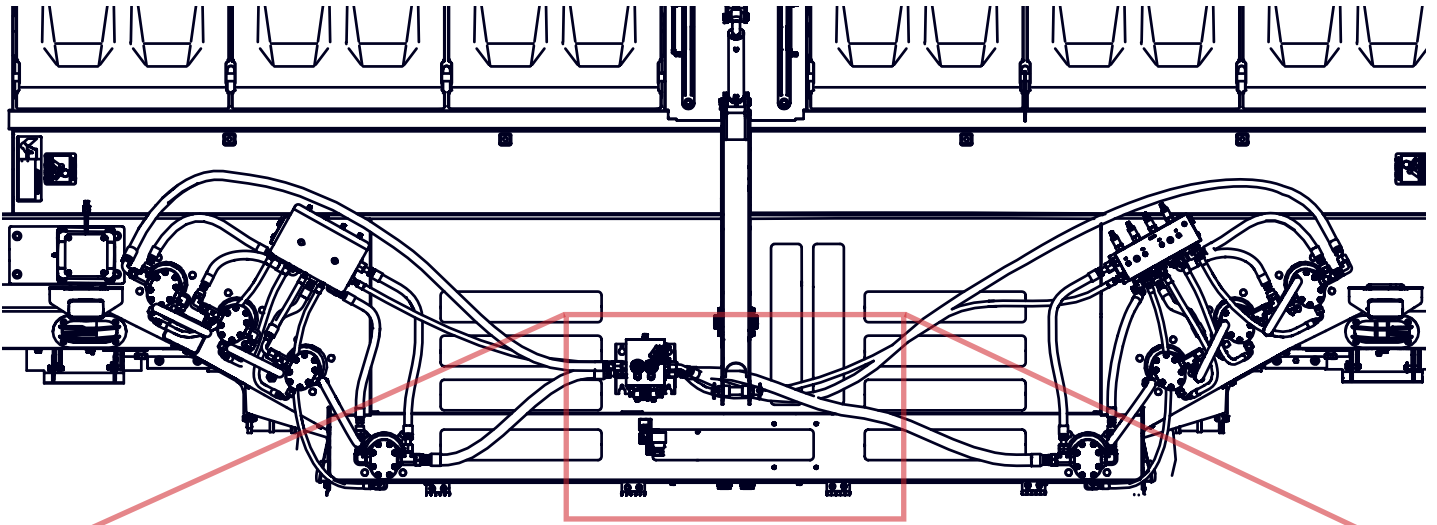
**Electrical**

<b>BOM ID</b>	<b>Hillco Part No.</b>	<b>Qty</b>	<b>Description</b>
ns*	1375671	1	HARNESS, HCU PRIMARY
ns*	1375681	2	HARNESS, HCU LIGHT EXTENSION
ns*	1375691	1	HARNESS, HCU LEFT CONTROL
ns*	1375701	1	HARNESS, HCU RIGHT CONTROL
ns*	1377701	6	ROCK LIGHT WITH CONNECTOR
ns*	114.#08.008	12	SCREW, PHM, CH #8-32 X 1/2" (ROCK LIGHT)
ns*	1375992	1	HARNESS, HCU CAB
ns*	146521	1	WEDGE, BLACK,2-SOCKET, B-KEY,
ns*	146531	1	Y-CONNECTOR,BLACK,DTM SERIES
ns*	146541	1	PLUG,GRAY,120-OHM RESISTOR, DTM SERIES
ns*	1376002	1	HARNESS, HCU CAN EXTENSION
ns*	1376011	1	HARNESS, WET KIT
ns*	1376241	1	HARNESS, DEERE SERVICE
ns*	156052	1	SENSOR, ASSY.,MAGNETIC PICKUP
ns*	1374903	1	POWER BUS SPLITTER, 60A PLUS-1-38PIN
ns*	156176	2	GROMMET, 3/4"HOLE & 1/32-1/4"MAT, BLACK
ns*	156211	1	POWER BUS SPLITTER, 60A
ns*	1376251	1	HARNESS, HILLCO SERVICE

### Electrical Schematics and Harnesses

#### Primary Wiring Harness (1375671)

Harness is located inside of platform.



# Model SC1500 Specialty Seed Header

## For Serial Numbers SC1500-23001 thru SC1500-23999

REV.	DESCRIPTION	DATE	BY	MULTI-REVISION APPROVED
A	Released for Production	07/05/2022	SJM	Do Not Copy
B	Shortened legs 2 and 3 and replaced X106 & X101 w/ X081 & X081	02/02/2022	SJM	W/ 24" x 1/8" Hole Diameter = 11"
C	Corrected part numbers for X100 housing and terminal & X20 pin assignments	04/11/2022	SJM	Legs = 1.005 W/ 24" x 1/8" Hole Diameter = 11"

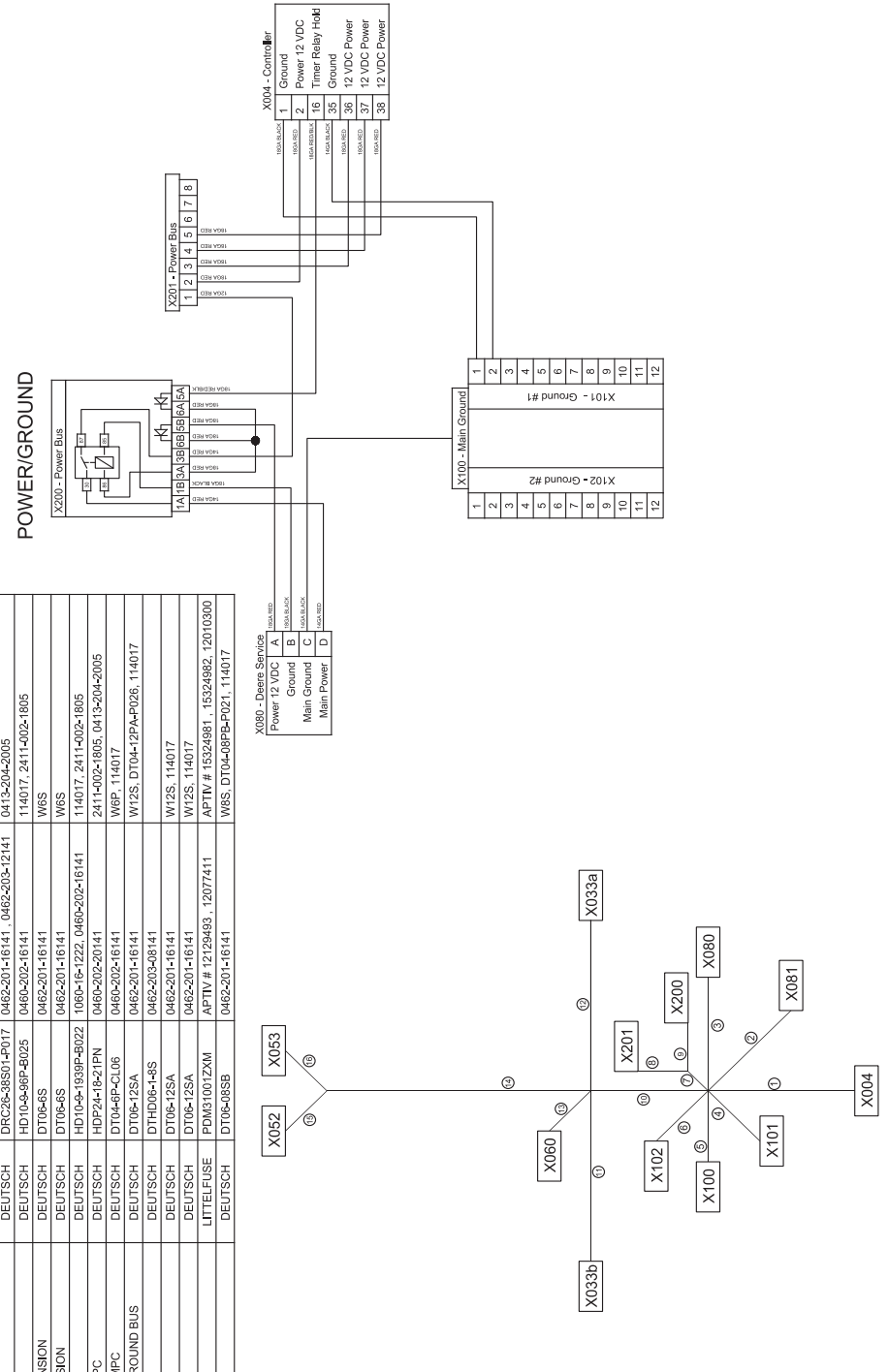
REV.	DESCRIPTION	DATE	BY	MULTI-REVISION APPROVED
A	Released for Production	07/05/2022	SJM	Do Not Copy
B	Shortened legs 2 and 3 and replaced X106 & X101 w/ X081 & X081	02/02/2022	SJM	W/ 24" x 1/8" Hole Diameter = 11"
C	Corrected part numbers for X100 housing and terminal & X20 pin assignments	04/11/2022	SJM	Legs = 1.005 W/ 24" x 1/8" Hole Diameter = 11"

REV.	DESCRIPTION	DATE	BY	MULTI-REVISION APPROVED
A	Released for Production	07/05/2022	SJM	Do Not Copy
B	Shortened legs 2 and 3 and replaced X106 & X101 w/ X081 & X081	02/02/2022	SJM	W/ 24" x 1/8" Hole Diameter = 11"
C	Corrected part numbers for X100 housing and terminal & X20 pin assignments	04/11/2022	SJM	Legs = 1.005 W/ 24" x 1/8" Hole Diameter = 11"

All information contained in this document is confidential and proprietary. Do not distribute or reproduce without written permission. For more information, contact your account manager. For 3D models, visit [www.hillco.com](http://www.hillco.com).  
 Hillco is a registered trademark of Hillco. © 2022 Hillco. All rights reserved.  
 Part # 1375671 C

CONNECTOR	DESCRIPTION	TYPE	HOUSING PART #	TERMINAL PART #	ACCESSORIES PART #
X004	CONTROLLER	DEUTSCH	DR026-3850-P017	0462-201-16141, 0462-203-12141	0415-204-2005
X081	HILLO MPC	DEUTSCH	HD10-4-86P-8025	0460-202-16141	114017, 2411-002-1805
X033a	RIGHT LIGHT EXTENSION	DEUTSCH	DT06-6S	0462-201-16141	W6S
X033b	LEFT LIGHT EXTENSION	DEUTSCH	DT06-6S	0462-201-16141	W6S
X080	DEERE MPC	DEUTSCH	HD10-4-1939P-8022	1060-16-1222, 0460-202-16141	114017, 2411-002-1805
X052	LEFT BULKHEAD MPC	DEUTSCH	HDP24-1621PN	0460-202-16141	2411-002-1805, 0413-204-2005
X053	RIGHT BULKHEAD MPC	DEUTSCH	DT04-6P-CL06	0460-202-16141	W6P, 114017
X060	SENSOR POWER/GROUND BUS	DEUTSCH	DT06-12SA	0462-201-16141	W12S, DT04-12PA-P026, 114017
X100	MAIN GROUND	DEUTSCH	DTHD06-1-8S	0462-203-08141	W12S, 114017
X101	GROUND #1	DEUTSCH	DT06-12SA	0462-201-16141	W12S, 114017
X102	GROUND #2	DEUTSCH	DT06-12SA	0462-201-16141	W12S, 114017
X200	POWER RELAY	LITTELFUSE	PDM3100ZXM	APTIV # 12128493, 12077411	
X201	POWER BUS	DEUTSCH	DT06-08SB	0462-201-16141	W6S, DT04-08PB-P021, 114017

BRANCH	LENGTH
1	11 INCHES
2	8 INCHES
3	8 INCHES
4	5 INCHES
5	5 INCHES
6	5 INCHES
7	2 INCHES
8	4 INCHES
9	4 INCHES
10	8 INCHES
11	12 INCHES
12	12 INCHES
13	4 INCHES
14	18 INCHES
15	4 INCHES
16	4 INCHES



# Model SC1500 Specialty Seed Header

## For Serial Numbers SC1500-23001 thru SC1500-23999

REV.	DESCRIPTION	DATE	BY	HILCO PART #	C
A	Released For Production	01/05/2022	SJM	1375671	C
B	Shortened legs 2 and 3 and replaced X035 & X031 w/ X038 & X031	02/02/2022	SJM		
C	Corrected part numbers for X100 housing and terminal & X200 pin assignments	04/11/2022	SJM		

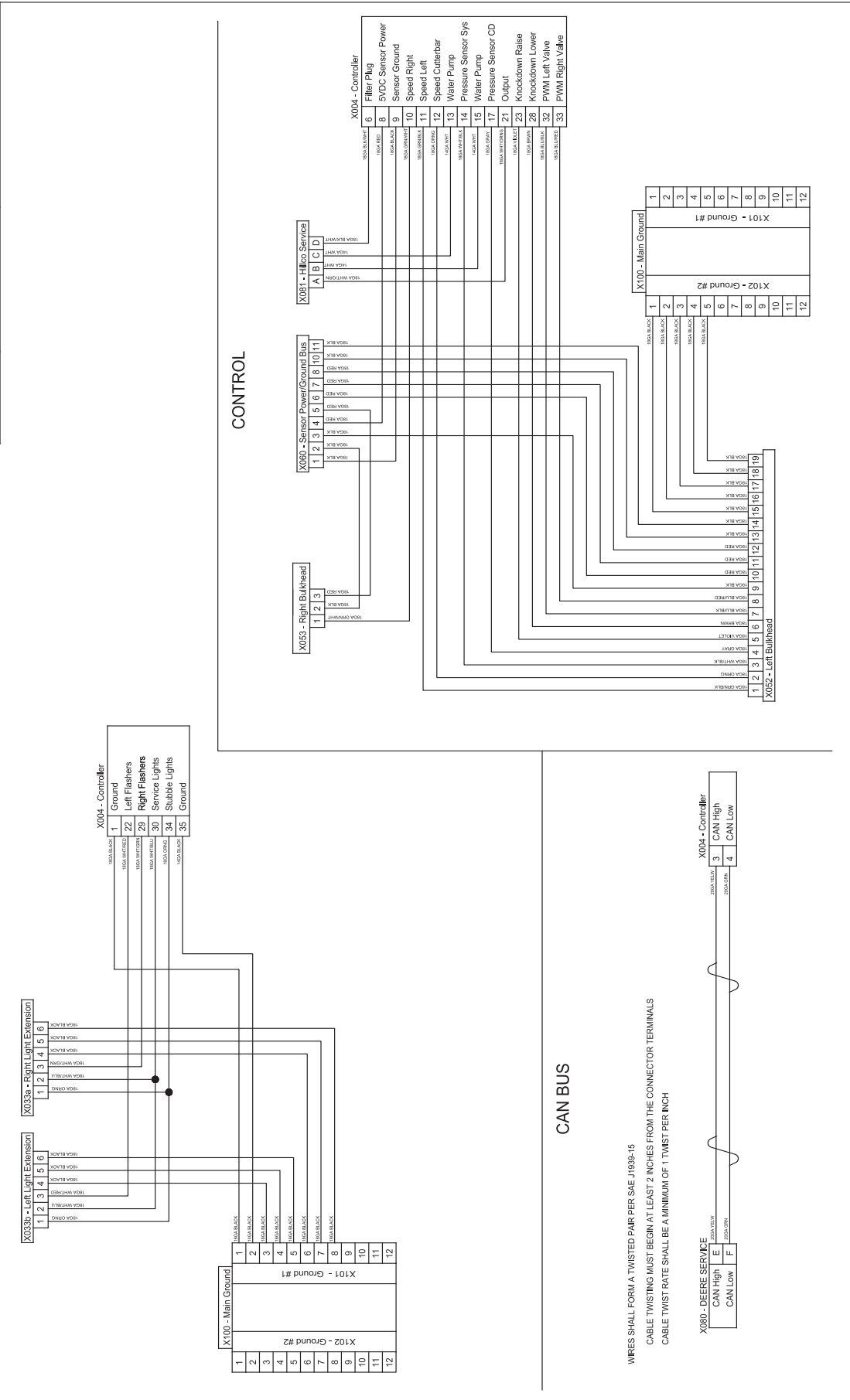
REVISIONS	DESCRIPTION	DATE	BY	HILCO PART #	C
1	Initial Release	01/05/2022	SJM	1375671	C

REV. #	DESCRIPTION	DATE	BY	HILCO PART #	C
1	Initial Release	01/05/2022	SJM	1375671	C

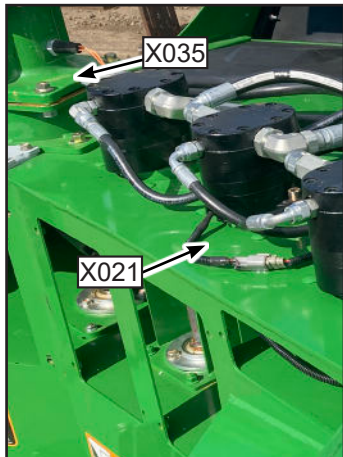
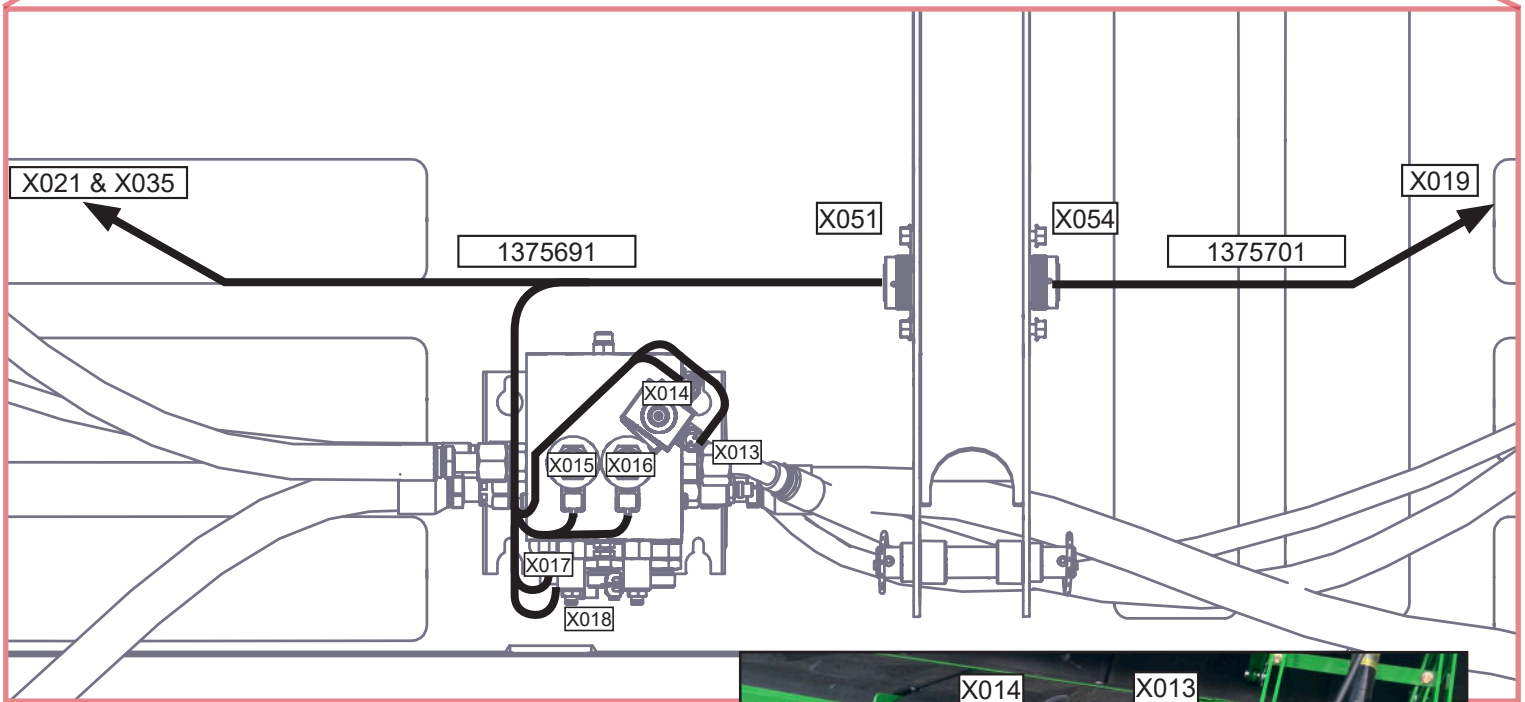
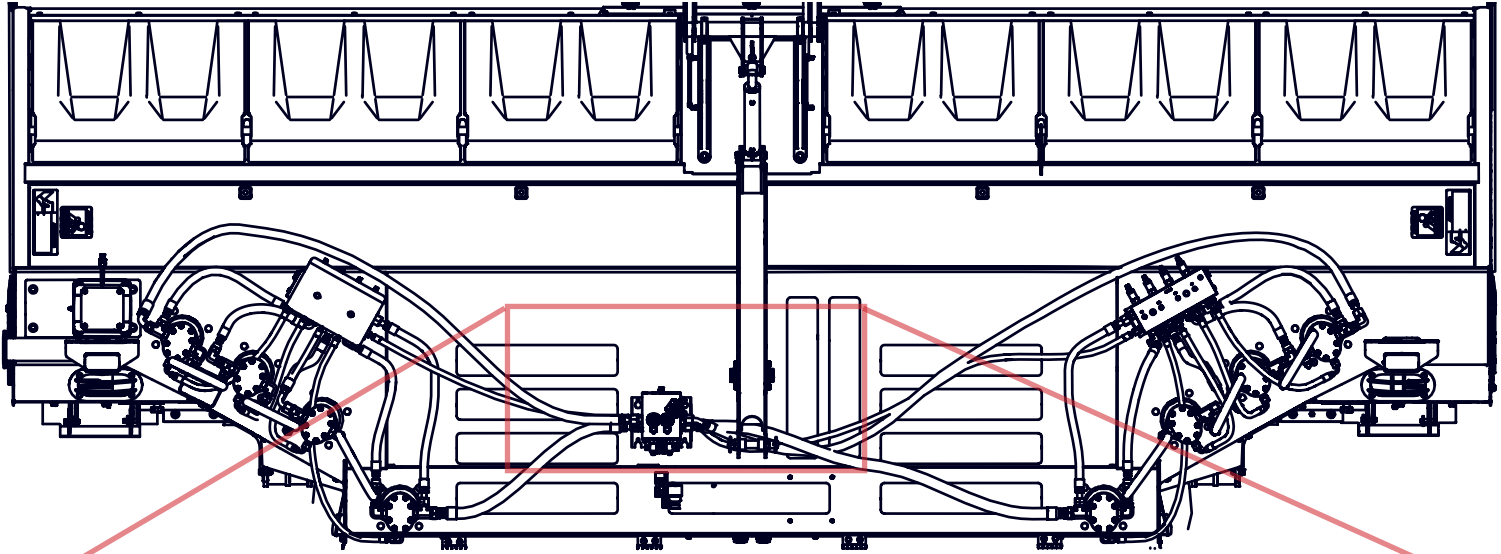
REV. #	DESCRIPTION	DATE	BY	HILCO PART #	C
1	Initial Release	01/05/2022	SJM	1375671	C



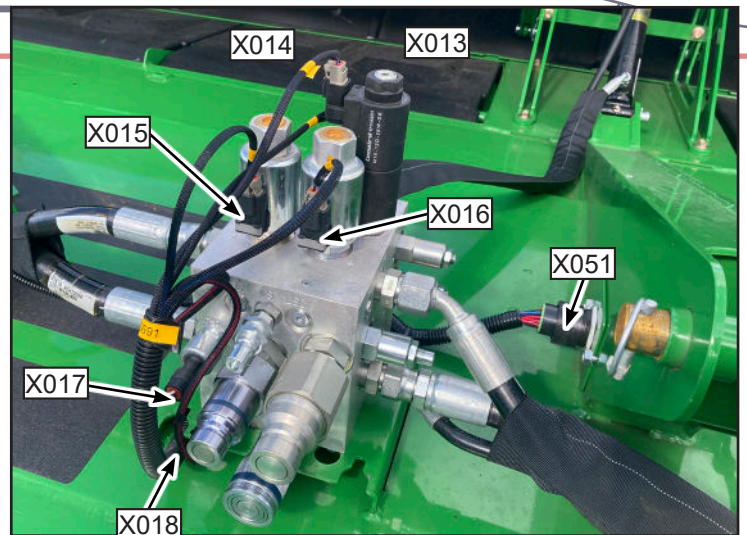
Model SC1500 Specialty Seed Header  
For Serial Numbers SC1500-23001 thru SC1500-23999

**Manifold Harness & Speed Sensor Harness (1375691 & 1375701)**

Harness is located on top of platform by middle manifold.



D-220308DMC01



Model SC1500 Specialty Seed Header  
For Serial Numbers SC1500-23001 thru SC1500-23999

REV. A B	DESCRIPTION Released For Production Re-named W02 to W05 to avoid confusion	DATE 07/01/2022 02/15/2022	BY SJM SJM	HILLCO ***** Description   OT ASM, HARNESS, HCU LEFT CONTROL Material   SEE BELOW Designed   SJM   Drawn   Sheet 1 of 2   W:   N/A: UNIT OF MEASURE: INCHES   Valid according to HILLCO Welding Standards   Doc: 10-062010.DWG	Part # 1375691	B
CONNECTOR TABLE						
CONNECTOR	DESCRIPTION	TYPE	HOUSING PART #	TERMINAL PART #	ACCESSORIES PART #	
X051	LEFT BULKHEAD	DEUTSCH	HDP26-18-21SN	0462-201-20141	HD30-18BT-BK, 0413-204-2005	
X013	KDB RAISE COIL	DEUTSCH	DT06-2S	0462-201-16141	W2S	
X014	KDB LOWER COIL	DEUTSCH	DT06-2S	0462-201-16141	W2S	
X015	PWM RIGHT COIL	DEUTSCH	DT06-2S	0462-201-16141	W2S	
X016	PWM LEFT COIL	DEUTSCH	DT06-2S	0462-201-16141	W2S	
X017	WORK PRESSURE SENSOR	APTIV	12065287	12048074		
X018	CD PRESSURE SENSOR	AMPSEAL 16	776429-1	1924464-1		
X021	LEFT MOTOR SPEED SENSOR	DEUTSCH	DTM06-3S	0462-201-20141	WM-3S	
X035	CUTTERBAR SPEED SENSOR	APTIV	12010973	12089040		

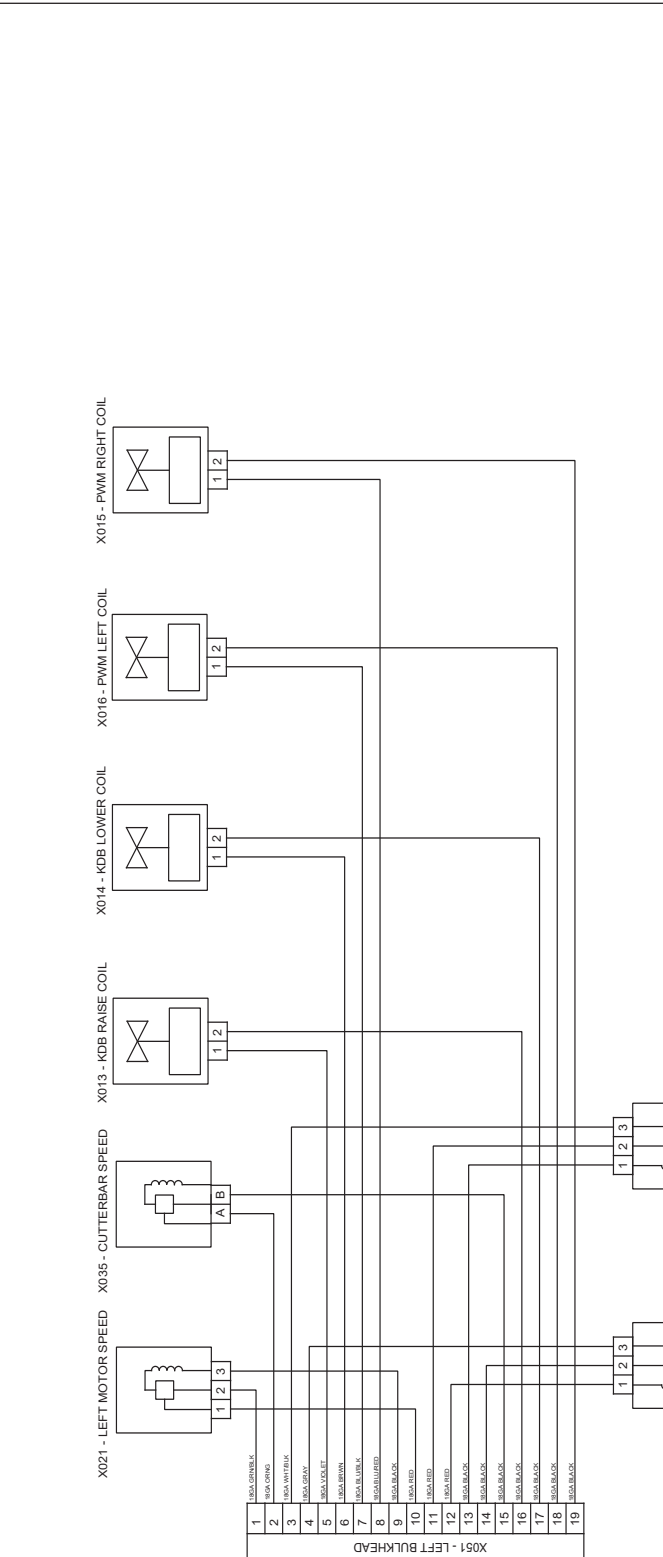
LENGTH TABLE	
BRANCH	LENGTH
1	6 INCHES
2	24 INCHES
3	8 INCHES
4	8 INCHES
5	8 INCHES
6	8 INCHES
7	8 INCHES
8	8 INCHES
9	78 INCHES
10	6 INCHES
11	36 INCHES

# Model SC1500 Specialty Seed Header

## For Serial Numbers SC1500-23001 thru SC1500-23999

REV.	DESCRIPTION	DATE	BY	HILLCO	Part #	B
A	Released for Production	07/10/2022	SJM		1375691	
B	Re-routed X032 to X051 to avoid confusion	02/15/2022	SJM			

MILL COIL WELDING	DESCRIPTION	MATERIAL	TREATMENT	NONE
1/2" x 1/8"	OT ASM - HARNESS, HCU LEFT CONTROL	SEE BELOW	SEE BELOW	
2-1.0	2x = ± 0.05			
	3x = ± 0.05			
	4x = ± 0.05			
	5x = ± 0.05			
	6x = ± 0.05			
	7x = ± 0.05			
	8x = ± 0.05			
	9x = ± 0.05			
	10x = ± 0.05			
	11x = ± 0.05			
	12x = ± 0.05			
	13x = ± 0.05			
	14x = ± 0.05			
	15x = ± 0.05			
	16x = ± 0.05			
	17x = ± 0.05			
	18x = ± 0.05			
	19x = ± 0.05			



# Model SC1500 Specialty Seed Header

## For Serial Numbers SC1500-23001 thru SC1500-23999

<b>REV.</b>	<b>DESCRIPTION</b>	<b>DATE</b>	<b>BY</b>	<b>Part #</b>	<b>B</b>
A	Released for Production	01/10/2022	SJM	1375701	
B	Changed WBS to W54 and corrected component part numbers	12/15/2022	SJM		

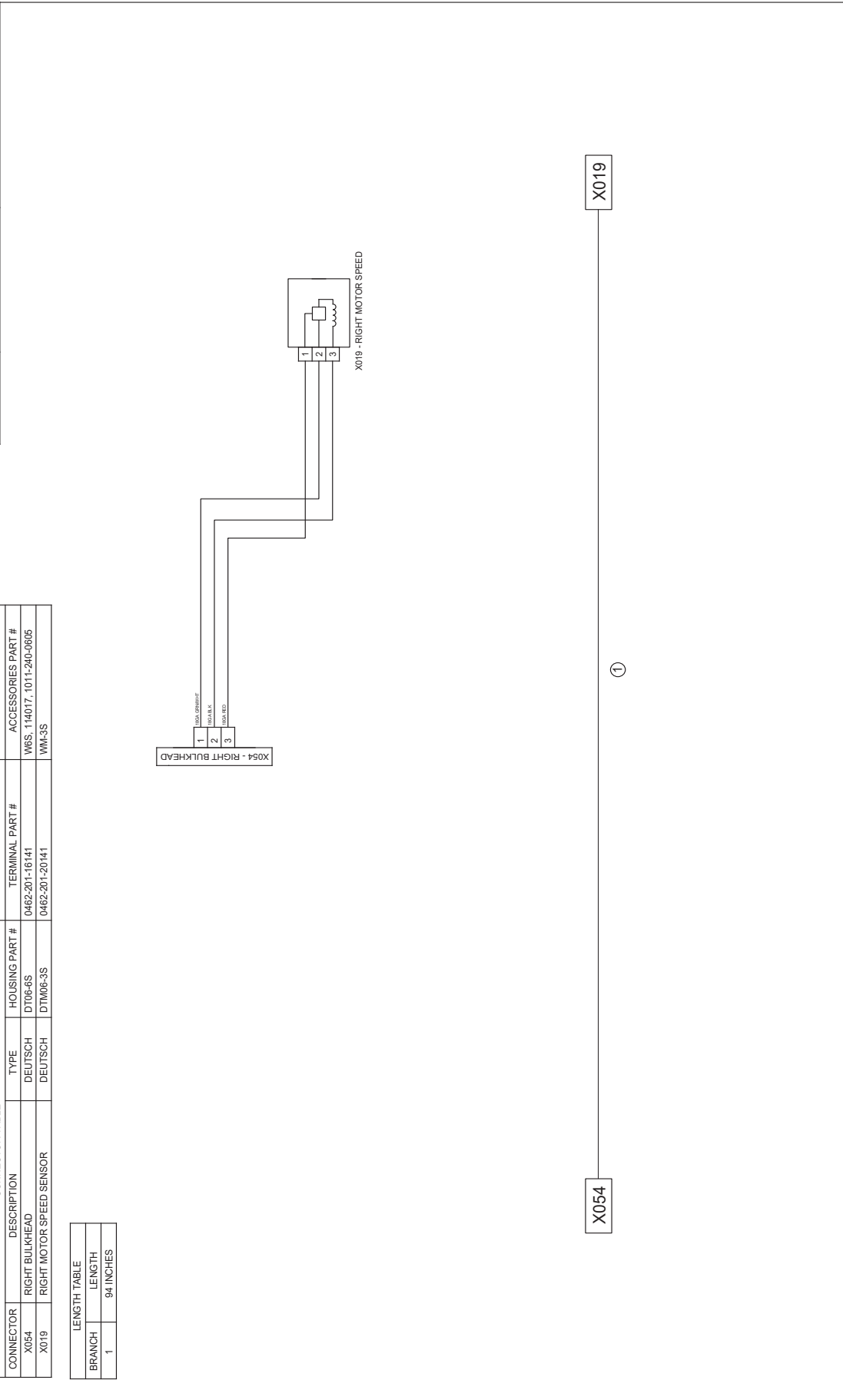
<b>WBS NUMBER</b>	<b>DATE</b>	<b>BY</b>	<b>DESCRIPTION</b>	<b>OT/ASM</b>	<b>HARNESSES</b>	<b>RIGHT CONTROL</b>
WBS: 114017	12/15/2022	SJM	Released for Production	SEE BELOW	SEE BELOW	NONE
WBS: 114017	12/15/2022	SJM	Released for Production	SEE BELOW	SEE BELOW	NONE

<b>CONNECTOR</b>	<b>DESCRIPTION</b>	<b>TYPE</b>	<b>HOUSING PART #</b>	<b>TERMINAL PART #</b>	<b>ACCESSORIES PART #</b>
X054	RIGHT BULKHEAD	DEUTSCH	DT06-6S	0462-201-16141	WBS: 114017, 1011-240-0605
X019	RIGHT MOTOR SPEED SENSOR	DEUTSCH	DTM06-3S	0462-201-20141	MM-3S

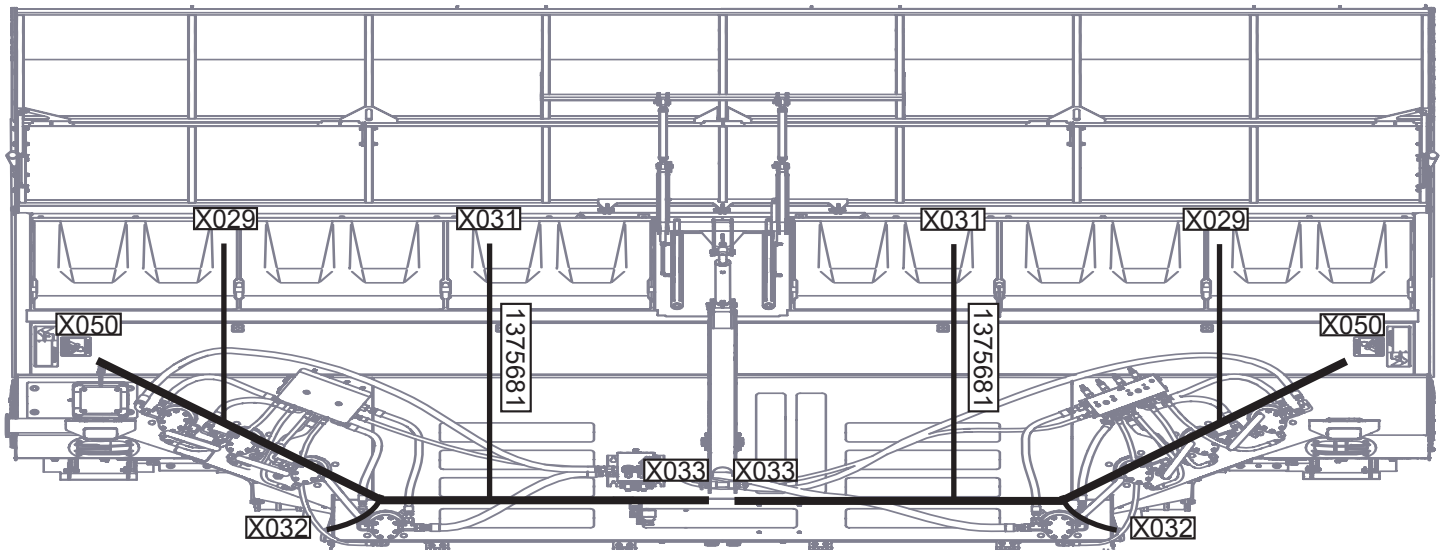
<b>LENGTH TABLE</b>	<b>BRANCH</b>	<b>LENGTH</b>	<b>INCHES</b>
	1	94	





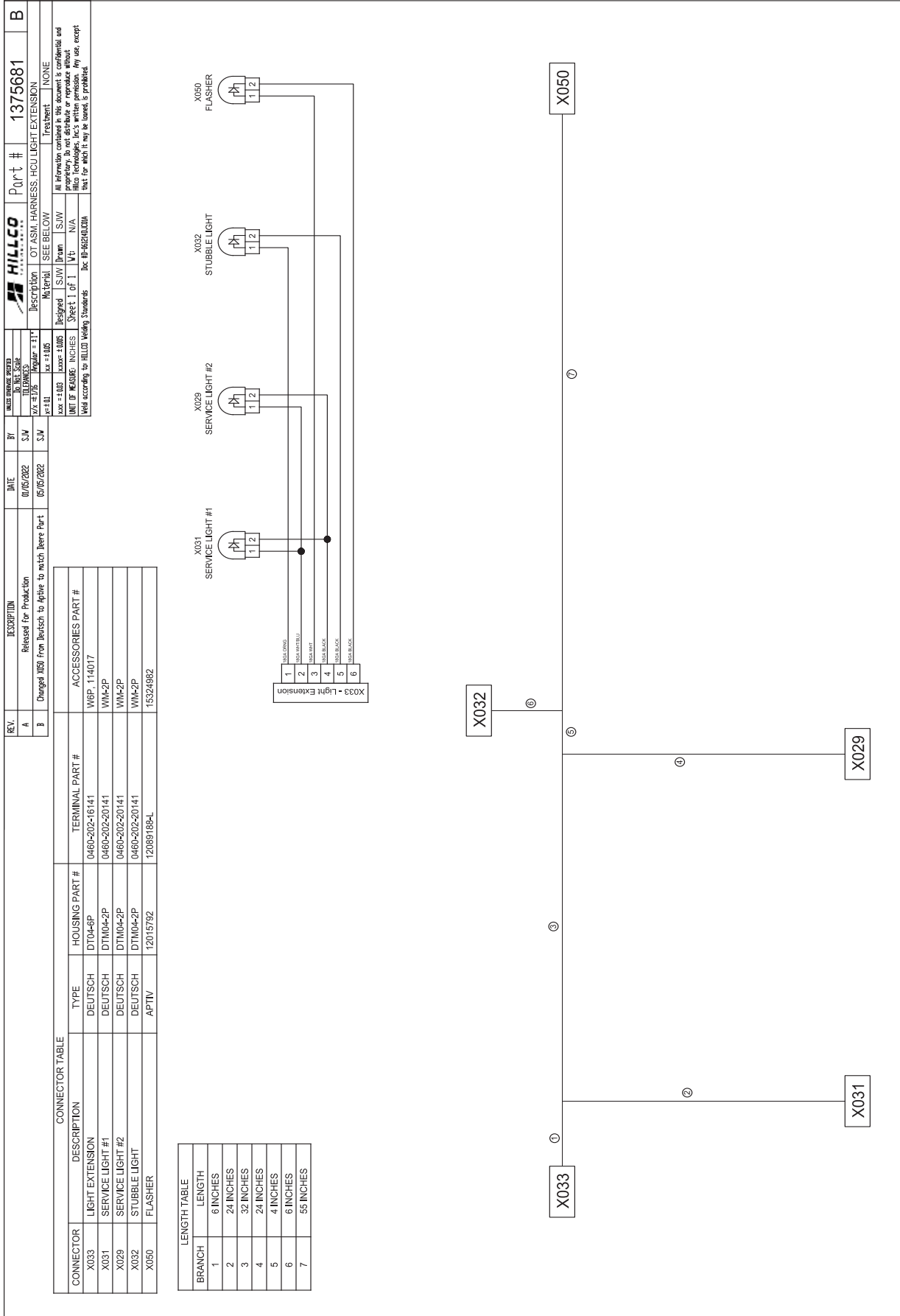
Model SC1500 Specialty Seed Header  
For Serial Numbers SC1500-23001 thru SC1500-23999

**Light harness (1375681)**  
Installed inside of platform



# Model SC1500 Specialty Seed Header

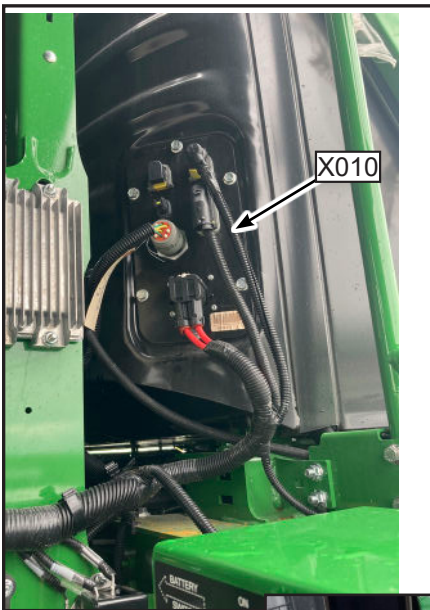
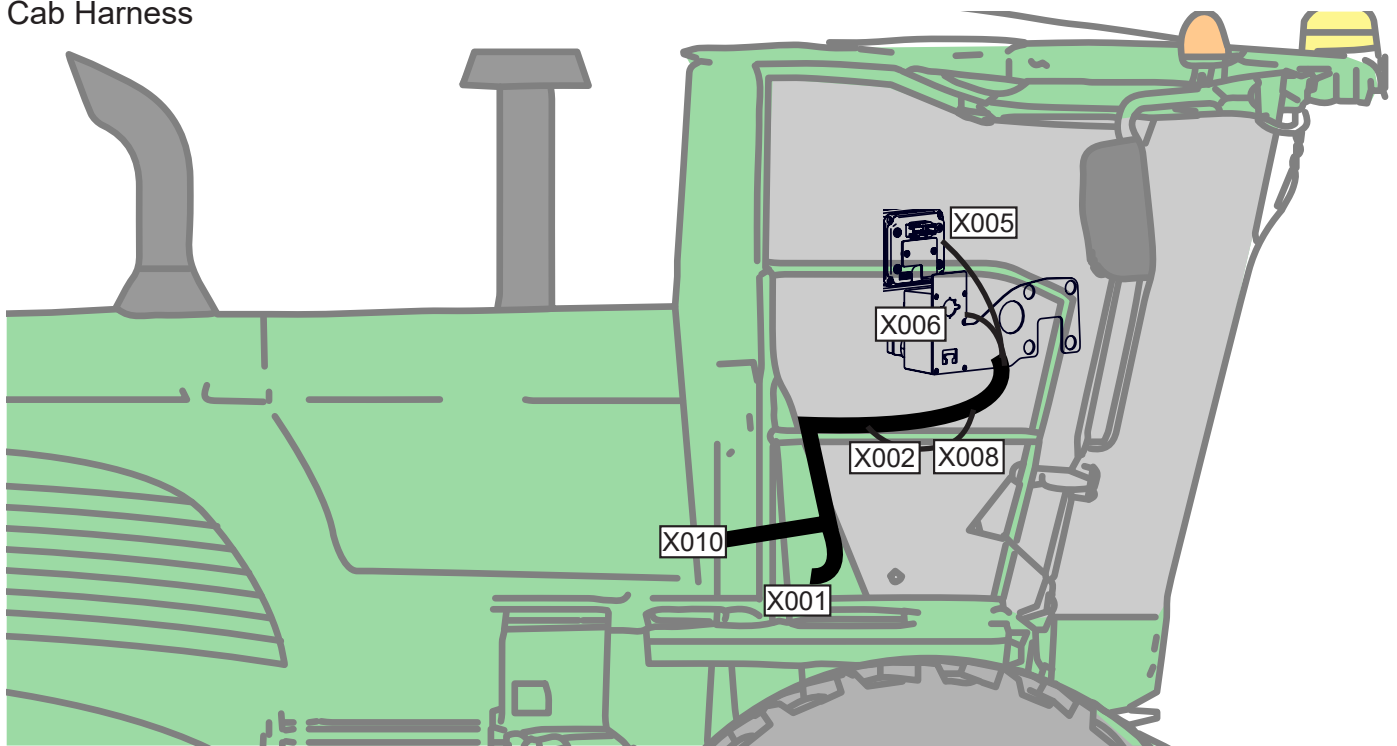
## For Serial Numbers SC1500-23001 thru SC1500-23999



Model SC1500 Specialty Seed Header  
For Serial Numbers SC1500-23001 thru SC1500-23999

**HCU Harness (1375992)**

Cab Harness



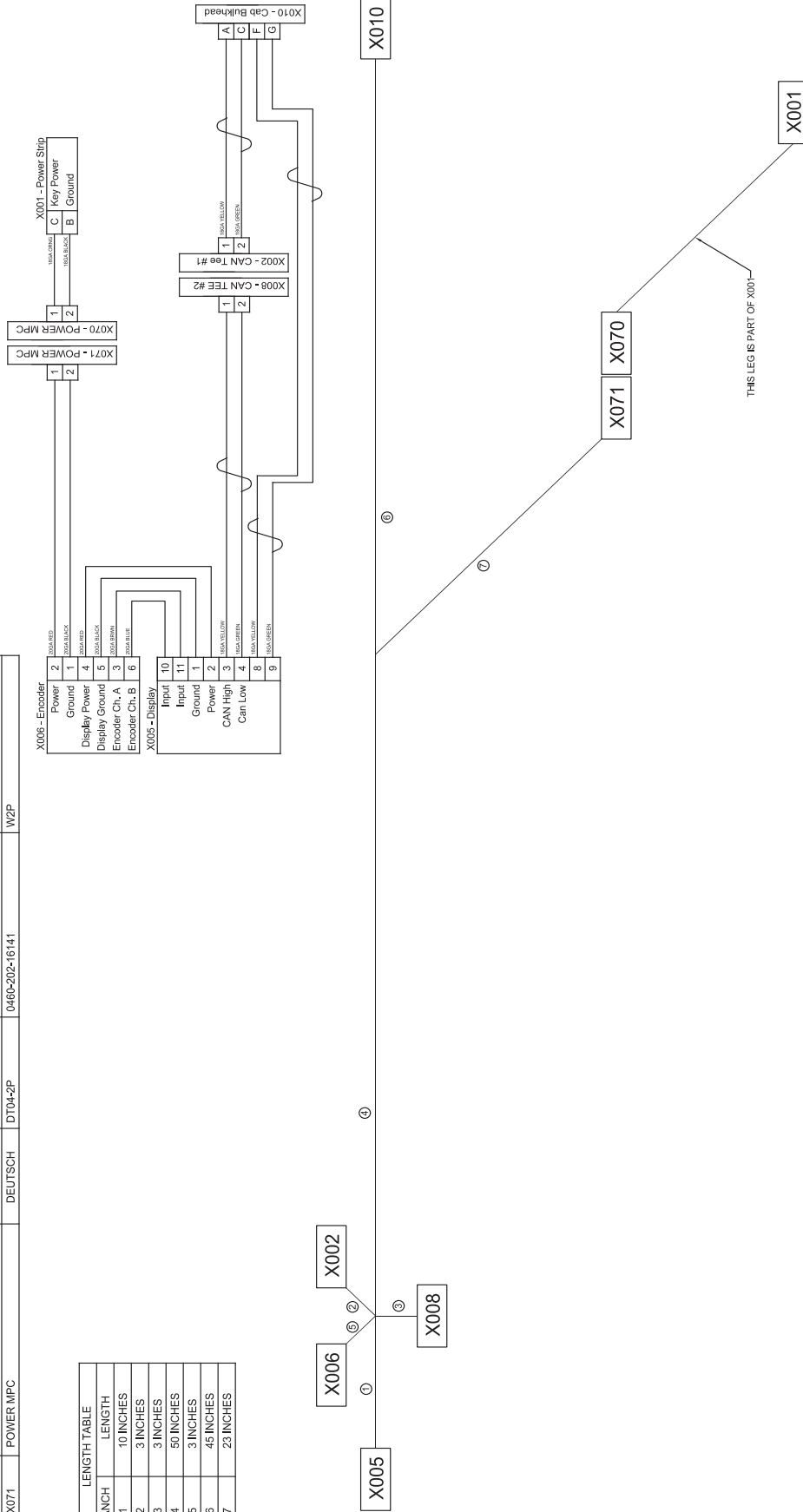
# Model SC1500 Specialty Seed Header

## For Serial Numbers SC1500-23001 thru SC1500-23999

REV. A	DESCRIPTION Released for Production	DATE 04/13/2022	BY SJM	PART # 1375992	A
DESCRIPTION: OT ASSEMBLY HARNESS: HCU CAB					
Material: SEE BELOW					
Treatment: NONE					
All information contained in this document is confidential and proprietary information of Hilco Technology, Inc's written permission. Any use, except for which it may be licensed, is prohibited.					

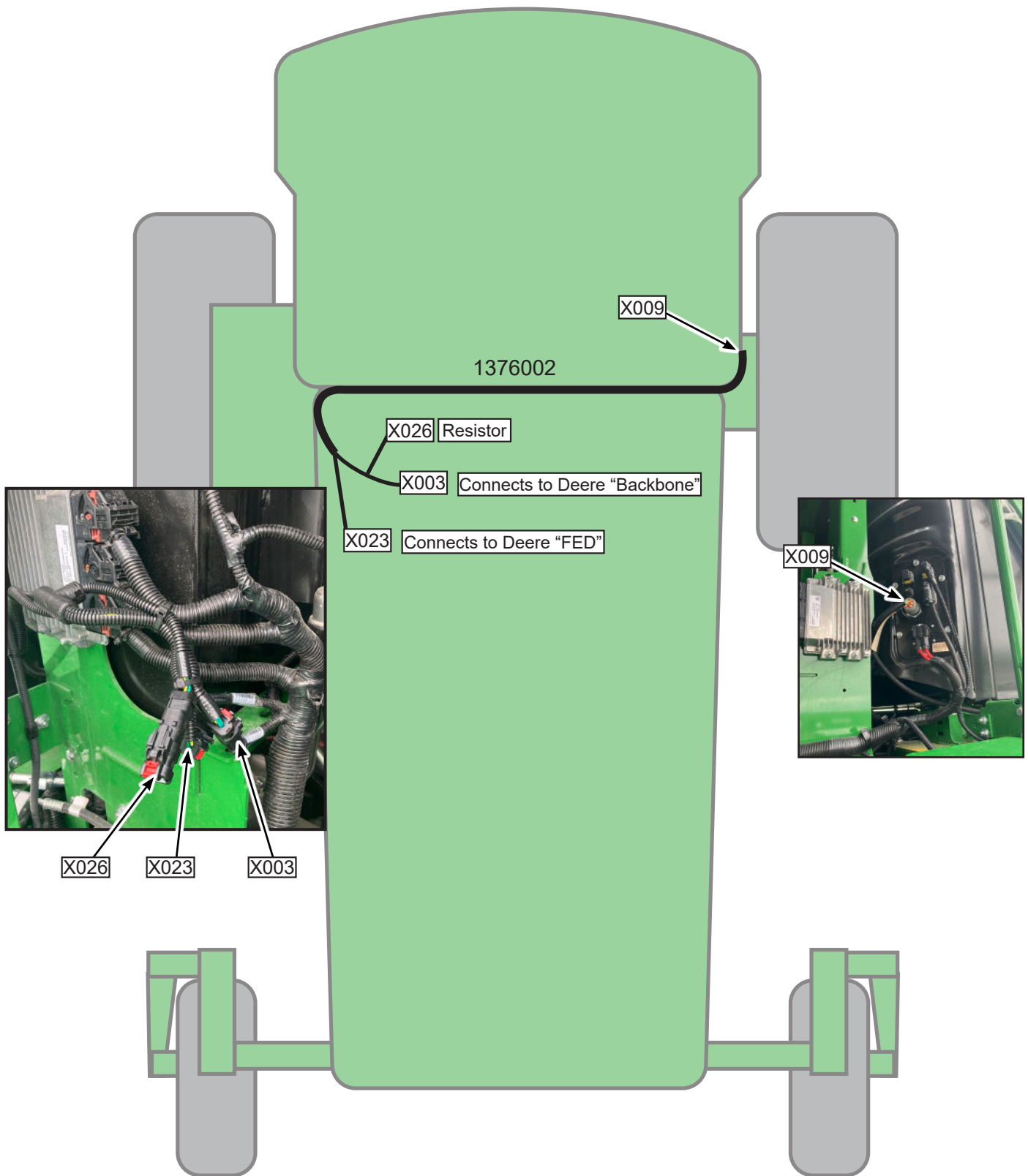
CONNECTOR	DESCRIPTION	TYPE	HOUSING PART #	TERMINAL PART #	ACCESSORIES PART #
X001	POWER STRIP	JOHN DEERE	RE67013		
X002	CAN TEE #1	DEUTSCH	DTM06-2S	0462-201-20141	WM-2S
X005	DISPLAY	DEUTSCH	DTM06-12SA	0462-201-20141	WM-12S
X006	ENCODER PCB	MOLEX	39012065	39000038	
X008	CAN TEE #2	DEUTSCH	DTM06-2S	0462-201-20141	WM-2SB
X010	CAB BULKHEAD	DEUTSCH	HD10-9-96P-E025	0460-202-16141	2411-002-1805, 114017
X070	POWER MPC	DEUTSCH	DT06-2S	0462-201-16141	W2S
X071	POWER MPC	DEUTSCH	DT04-2P	0460-202-16141	W2P

BRANCH	LENGTH
1	10 INCHES
2	3 INCHES
3	3 INCHES
4	50 INCHES
5	3 INCHES
6	45 INCHES
7	23 INCHES



**HCU CAN Extension Harness (1376002)**

CAN Harness



# Model SC1500 Specialty Seed Header

## For Serial Numbers SC1500-23001 thru SC1500-23999

<b>REV.</b>	<b>DESCRIPTION</b>	<b>DATE</b>	<b>BY</b>	<b>Part #</b>	<b>1376002</b>	<b>B</b>
A	Released For Production Lengthend Branch 3 (P)	04/13/2022	SJM			
B		04/26/2022	SJM			

<b>UNIT OF MEASURE</b>	<b>INCHES</b>	<b>Sheet 1 of 2</b>	<b>Vt</b>	<b>N/A</b>	<b>Doc ID: 6024020A</b>
<b>Weld according to HILCO Welding Standards</b>					

CONNECTOR	DESCRIPTION	TYPE	HOUSING PART #	TERMINAL PART #	ACCESSORIES PART #
X003	CAB CAN	AMPSEAL 16	776427-1	1924464-1	
X009	CAB BULKHEAD	DEUTSCH	HD16-9-96S	0462-201-16141	114017
X023	PLATFORM CAN	AMPSEAL 16	776427-1	1924464-1	
X026	CAB CAN TEE	AMPSEAL 16	776428-1	1924463-1	

**CONNECTOR TABLE**

**LENGTH TABLE**

BRANCH	LENGTH
1	8 INCHES
2	8 INCHES
3	74 INCHES
4	8 INCHES

**CONNECTOR TABLE**

CONNECTOR	DESCRIPTION	TYPE	HOUSING PART #	TERMINAL PART #	ACCESSORIES PART #
X003	CAB CAN	AMPSEAL 16	776427-1	1924464-1	
X009	CAB BULKHEAD	DEUTSCH	HD16-9-96S	0462-201-16141	114017
X023	PLATFORM CAN	AMPSEAL 16	776427-1	1924464-1	
X026	CAB CAN TEE	AMPSEAL 16	776428-1	1924463-1	

**CONNECTOR TABLE**

CONNECTOR	DESCRIPTION	TYPE	HOUSING PART #	TERMINAL PART #	ACCESSORIES PART #
X003	CAB CAN	AMPSEAL 16	776427-1	1924464-1	
X009	CAB BULKHEAD	DEUTSCH	HD16-9-96S	0462-201-16141	114017
X023	PLATFORM CAN	AMPSEAL 16	776427-1	1924464-1	
X026	CAB CAN TEE	AMPSEAL 16	776428-1	1924463-1	

**CONNECTOR TABLE**

CONNECTOR	DESCRIPTION	TYPE	HOUSING PART #	TERMINAL PART #	ACCESSORIES PART #
X003	CAB CAN	AMPSEAL 16	776427-1	1924464-1	
X009	CAB BULKHEAD	DEUTSCH	HD16-9-96S	0462-201-16141	114017
X023	PLATFORM CAN	AMPSEAL 16	776427-1	1924464-1	
X026	CAB CAN TEE	AMPSEAL 16	776428-1	1924463-1	

**CONNECTOR TABLE**

CONNECTOR	DESCRIPTION	TYPE	HOUSING PART #	TERMINAL PART #	ACCESSORIES PART #
X003	CAB CAN	AMPSEAL 16	776427-1	1924464-1	
X009	CAB BULKHEAD	DEUTSCH	HD16-9-96S	0462-201-16141	114017
X023	PLATFORM CAN	AMPSEAL 16	776427-1	1924464-1	
X026	CAB CAN TEE	AMPSEAL 16	776428-1	1924463-1	

**CONNECTOR TABLE**

CONNECTOR	DESCRIPTION	TYPE	HOUSING PART #	TERMINAL PART #	ACCESSORIES PART #
X003	CAB CAN	AMPSEAL 16	776427-1	1924464-1	
X009	CAB BULKHEAD	DEUTSCH	HD16-9-96S	0462-201-16141	114017
X023	PLATFORM CAN	AMPSEAL 16	776427-1	1924464-1	
X026	CAB CAN TEE	AMPSEAL 16	776428-1	1924463-1	

**CONNECTOR TABLE**

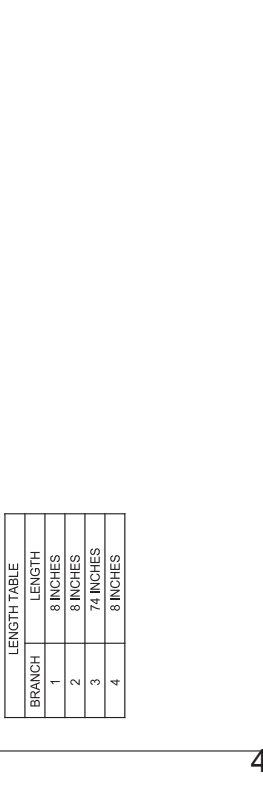
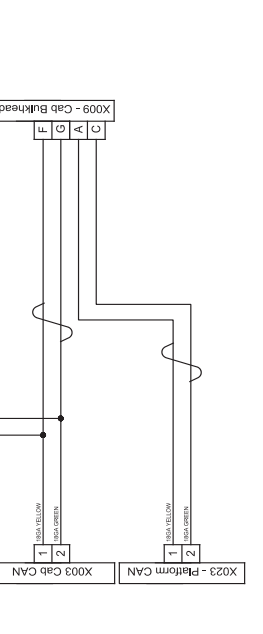
CONNECTOR	DESCRIPTION	TYPE	HOUSING PART #	TERMINAL PART #	ACCESSORIES PART #
X003	CAB CAN	AMPSEAL 16	776427-1	1924464-1	
X009	CAB BULKHEAD	DEUTSCH	HD16-9-96S	0462-201-16141	114017
X023	PLATFORM CAN	AMPSEAL 16	776427-1	1924464-1	
X026	CAB CAN TEE	AMPSEAL 16	776428-1	1924463-1	

**CONNECTOR TABLE**

CONNECTOR	DESCRIPTION	TYPE	HOUSING PART #	TERMINAL PART #	ACCESSORIES PART #
X003	CAB CAN	AMPSEAL 16	776427-1	1924464-1	
X009	CAB BULKHEAD	DEUTSCH	HD16-9-96S	0462-201-16141	114017
X023	PLATFORM CAN	AMPSEAL 16	776427-1	1924464-1	
X026	CAB CAN TEE	AMPSEAL 16	776428-1	1924463-1	

**CONNECTOR TABLE**

CONNECTOR	DESCRIPTION	TYPE	HOUSING PART #	TERMINAL PART #	ACCESSORIES PART #
X003	CAB CAN	AMPSEAL 16	776427-1	1924464-1	
X009	CAB BULKHEAD	DEUTSCH	HD16-9-96S	0462-201-16141	114017
X023	PLATFORM CAN	AMPSEAL 16	776427-1	1924464-1	
X026	CAB CAN TEE	AMPSEAL 16	776428-1	1924463-1	

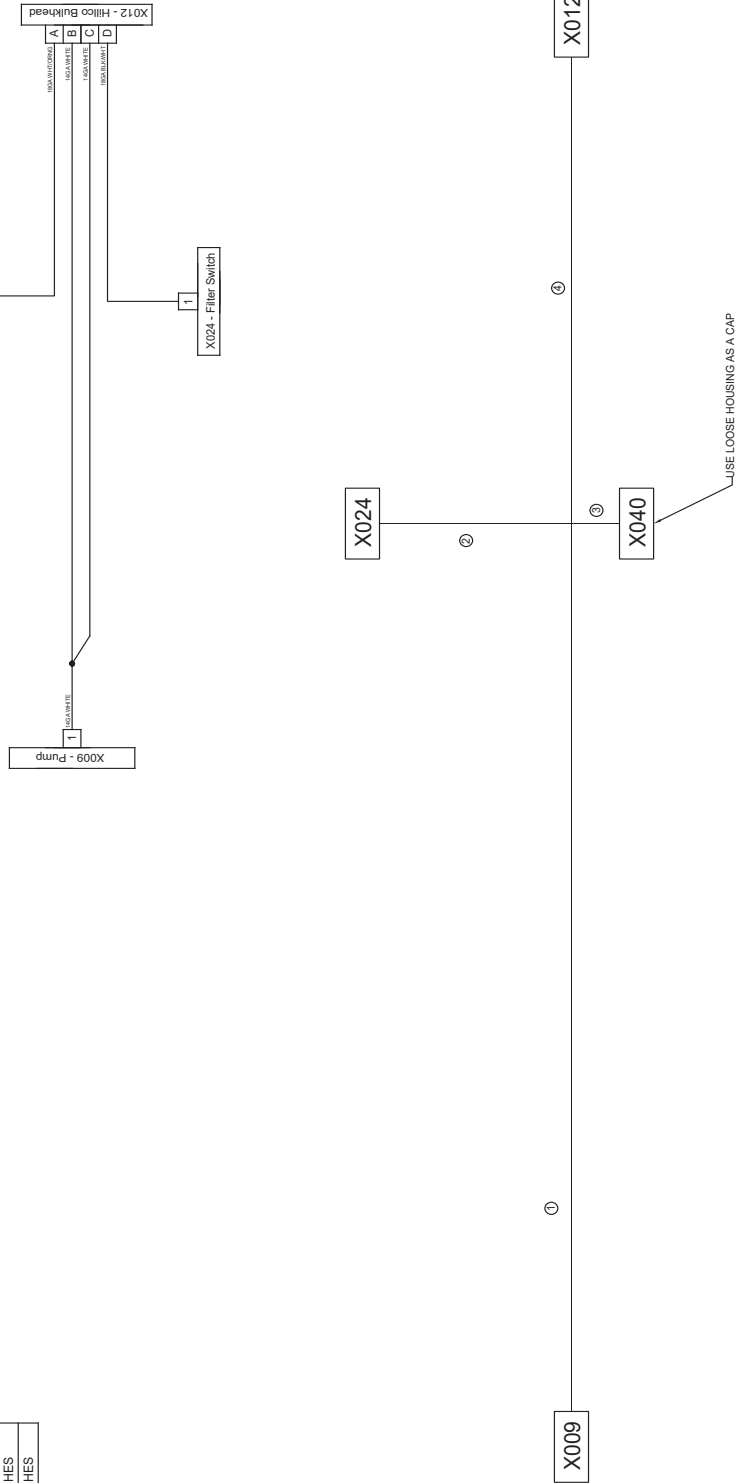


Model SC1500 Specialty Seed Header  
For Serial Numbers SC1500-23001 thru SC1500-23999

REV.	DESCRIPTION	DATE	BY	HILLCO	Part #	B
A	Released for Production	07/19/2022	SJM		1376011	
B	Revised 3011 to 3012 to avoid confusion	12/15/2022	SJM			

CONNECTOR	DESCRIPTION	TYPE	HOUSING PART #	TERMINAL PART #	ACCESSORIES PART #
X009	PUMP	MOLEX		19606-0005	
X012	HILCO BULKHEAD	DEUTSCH	HD70-9-96P-B025	0460-215-16141	2411-002-1805, 114017
X024	FILTER SWITCH	MOLEX		19044-0075	
X040	AUXILIARY OUTPUT	APTIV	12010996	12089040	15324862, 12015791, 12010300

BRANCH	LENGTH
1	118 INCHES
2	24 INCHES
3	6 INCHES
4	62 INCHES



DESCRIPTION: OT ASM, HARNESS, WIET KIT  
 Material: SEE BELOW  
 Treatment: NONE  
 All information contained in this document is confidential and proprietary. Do not distribute or reproduce without permission. If you are not an authorized user, contact your system administrator. If you are an authorized user, contact your system administrator for more information. This document is for internal use only. All rights reserved. © 2022 Hillco. All other rights reserved.  
 UNIT OF MEASURE: INCHES Sheet 1 of 1 Wt: N/A  
 Mfg according to HILLCO Working Standards Doc ID:60240100A

Model SC1500 Specialty Seed Header  
 For Serial Numbers SC1500-23001 thru SC1500-23999

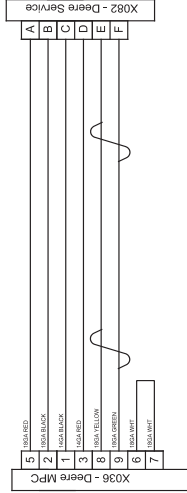
REV.	DESCRIPTION	DATE	BY	UNIT OF MEASURE	QTY	PRICE	TOTAL
A	Released for Production	10/12/2022	SJM				
B	Corrected X036 part numbers & codes are between plus 647	03/29/2022	SJM				

HILLCO		Part #		1376241		B	
Description		OT ASM. HAR. DEERE SERVICE		Treatment		NONE	
Material		SEE BELOW					
Size ± 0.03		Inches ± 0.005		S/W		N/A	
UNIT OF MEASURE		SHEET 1 OF 1		M/F		N/A	
Weld according to HILLCO Welding Standards		Doc. #P-86234320M					

All information contained in this document is confidential and proprietary. Do not distribute or reproduce without Hillco Technologies, Inc.'s written permission. Any use, except that for which it may be issued, is prohibited.


CONNECTOR TABLE			
CONNECTOR	DESCRIPTION	TYPE	ACCESSORIES PART #
X036	DEERE MPC	DEUTSCH	114017
X082	DEERE SERVICE	DEUTSCH	HD30-18BT-BK, 114017

LENGTH TABLE	
BRANCH	LENGTH
1	70 INCHES



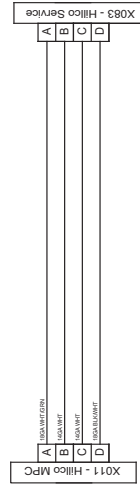


Model SC1500 Specialty Seed Header  
 For Serial Numbers SC1500-23001 thru SC1500-23999

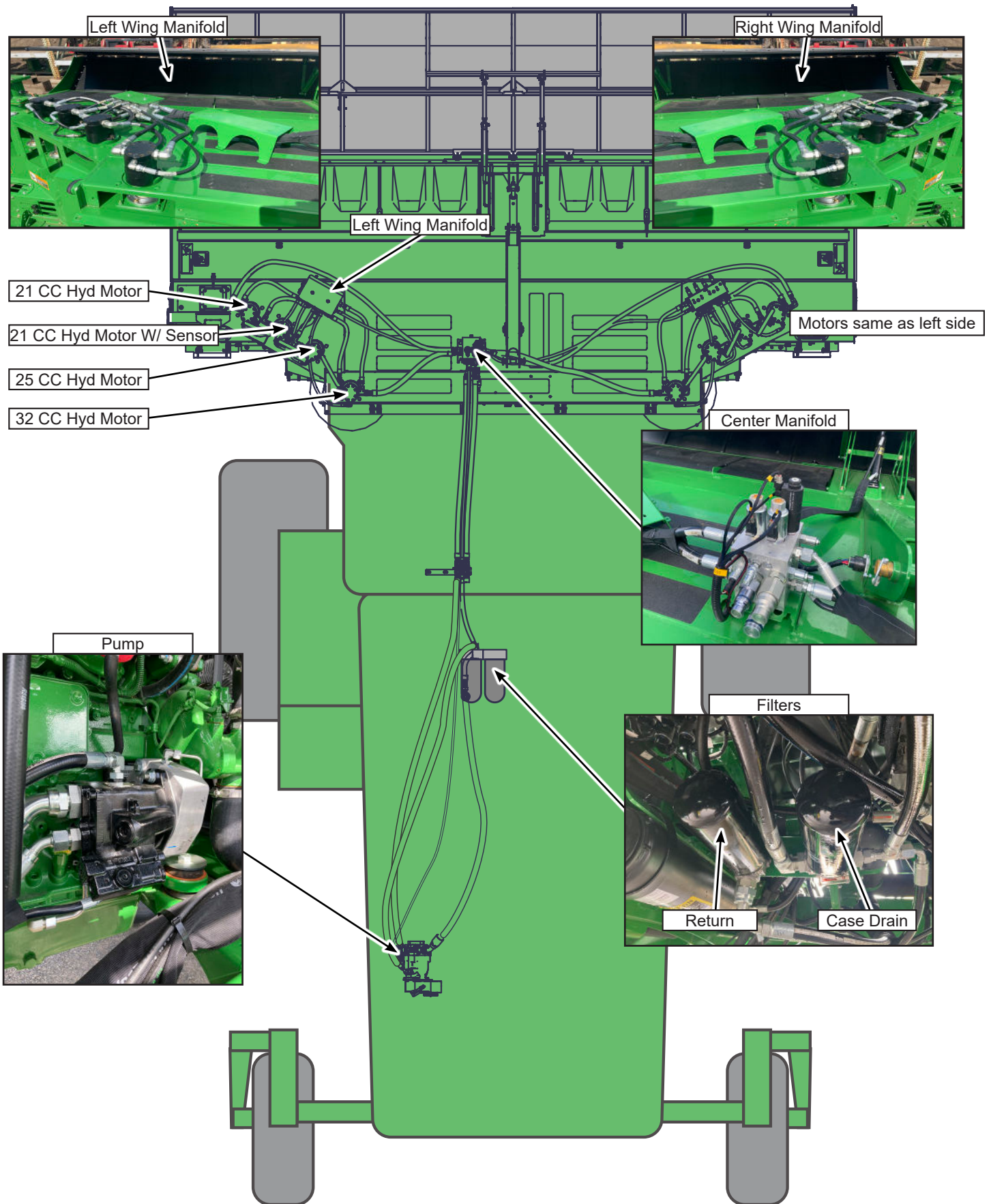
REV. A	DESCRIPTION Released for Production	DATE 02/07/2022	BY CJM	 HILLCO Part # 1376251	A
MUST BE ORDERED FROM HILLCO 24" x 7/16" Tube 24" x 1.005" Tube 24" x 1.003" Tube UNIT OF MEASURE: INCHES Weld according to HILLCO Welding Standards		Description: SEE BELOW Material: S316L Design: S316L Sheet 1 of 1		OT ASM - HAR HILLCO SERVICE Testheat: NONE	
All information contained herein is the property of Hillco Technology, Inc. and is not to be distributed or reproduced without Hillco Technology, Inc.'s written permission. Any use, except that for which it may be loaned, is prohibited.					

CONNECTOR TABLE				
CONNECTOR	DESCRIPTION	TYPE	HOUSING PART #	ACCESSORIES PART #
X011	HILLCO MPC	DEUTSCH	HD16-9-96S	HD30-18BT-BK, 114077
X083	HILLCO SERVICE	DEUTSCH	HD16-9-96S	HD30-18BT-BK, 114077

LENGTH TABLE	
BRANCH	LENGTH
1	70 INCHES

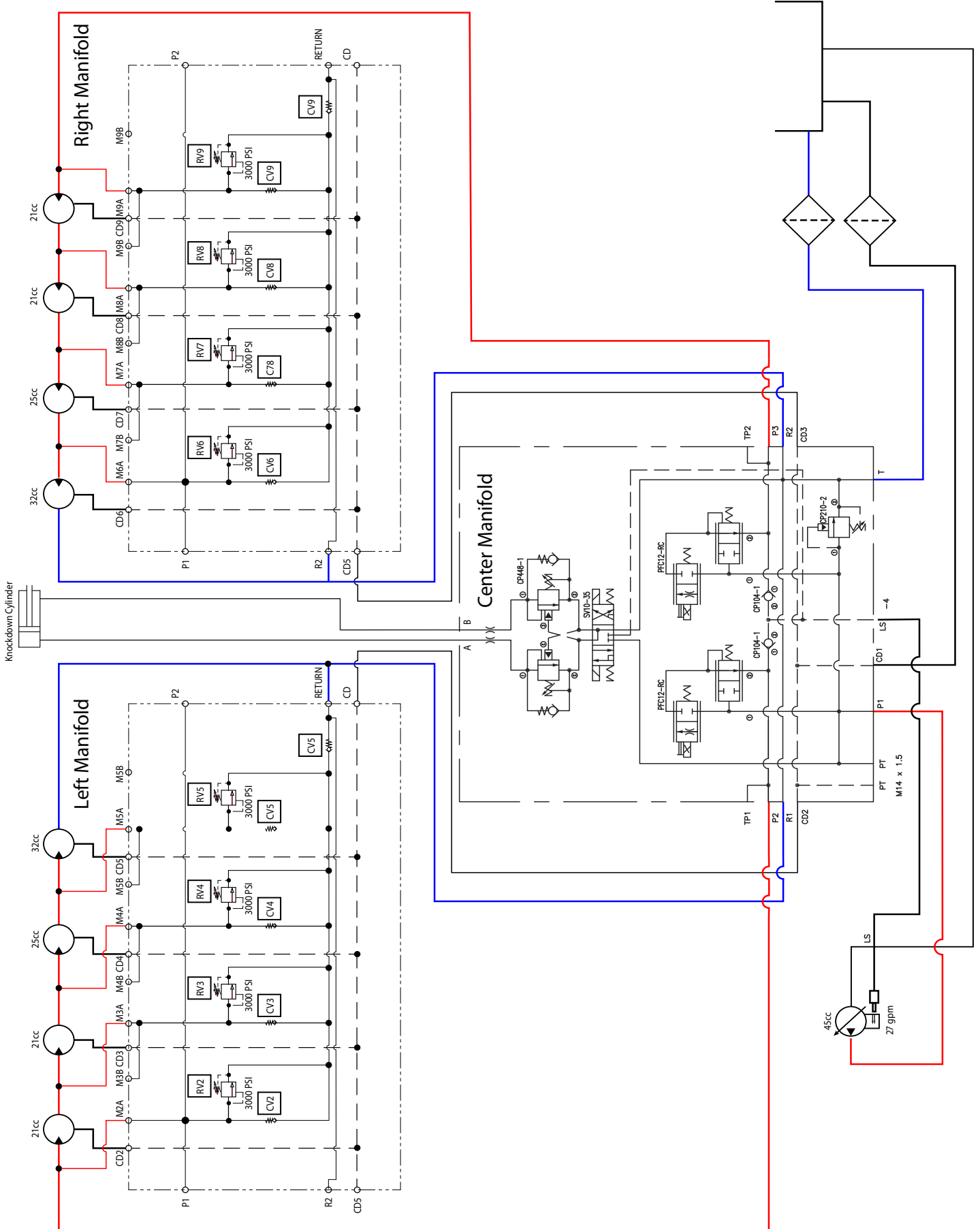


Model SC1500 Specialty Seed Header  
For Serial Numbers SC1500-23001 thru SC1500-23999  
**Hydraulic Components & Schematic**



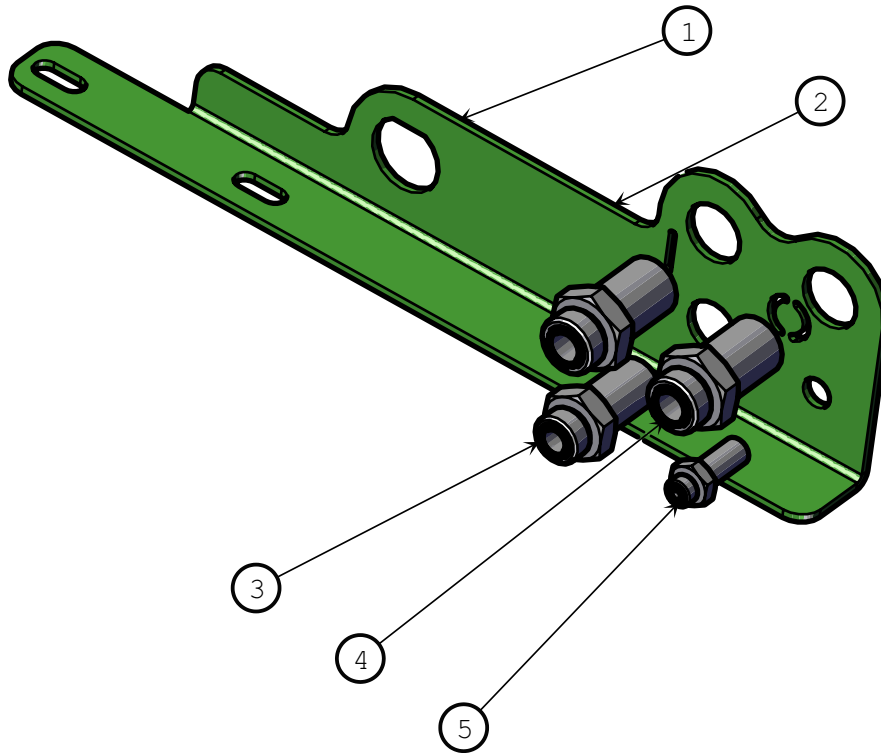
Model SC1500 Specialty Seed Header  
 For Serial Numbers SC1500-23001 thru SC1500-23999

**Hydraulic Components & Schematic**



Model SC1500 Specialty Seed Header  
 For Serial Numbers SC1500-23001 thru SC1500-23999

**Bulkhead**



BOM ID	Hilco Part No.	Qty	John Deere Part No.	Description
1	1373622	1		BULKHEAD MNT
2	1378491	1		BULKHEAD
3	1054.10	1	99JD15003	BULKHEAD STR -10MORFS x -10 MORFS
4	1054.12.12	2	99JD75001	BULKHEAD -12 ORFS
5	1054.04.04	1	99JD75002	BULKHEAD -4 ORFS

Model SC1500 Specialty Seed Header  
For Serial Numbers SC1500-23001 thru SC1500-23999

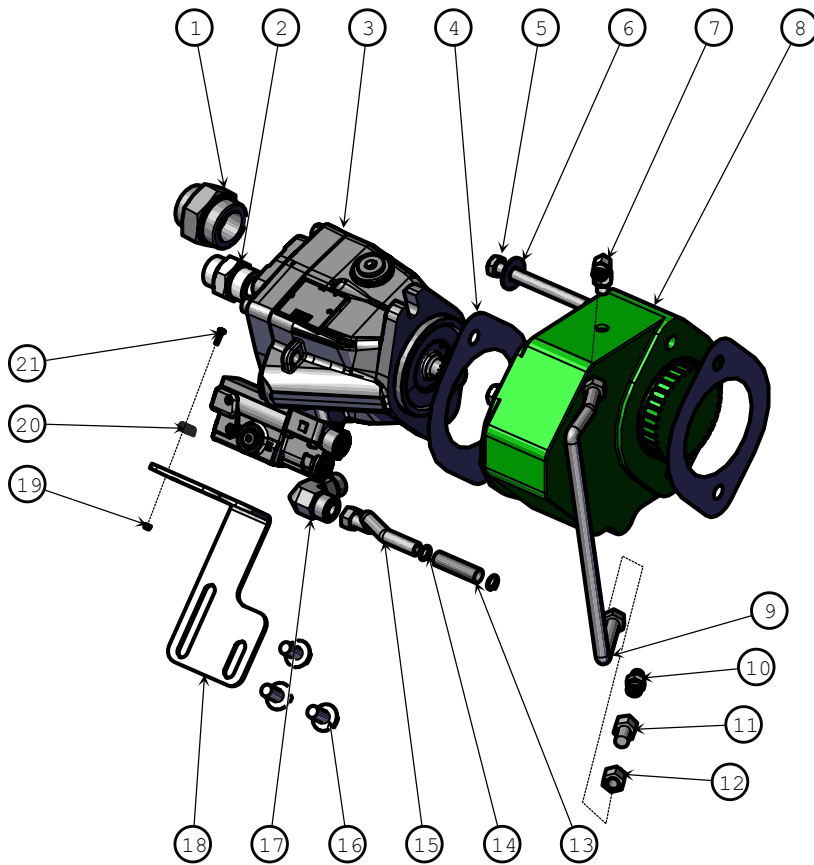
***Pump Kit Hoses***

BOM ID	Hillco Part No.	Qty	John Deere Part No.	Description
ns*	1372682	1		HOSE 100R17AR -12x58-1/2",-12FF STR X -16ff 90° D56MM
ns*	1372692	1		HOSE 100R17AR -16 x 51-1/2" -16FF STR X -16FF 90° D56MM
ns*	1372721	1		HOSE 100R17AR -04 X 124" -04FORS STR X-04FORFS 90°D32MM
ns*	1372731	1		HOSE 100R17AR -12 X 124" -12FORS X -12FORS 45°
ns*	1372742	1		HOSE 100R17AR -10 X 64" -10FORS X -10FORS 90° D32MM
ns*	1372752	1		HOSE 100R17AR -10 X 80" -10FORS STR X -10FORS STR
ns*	1372761	1		HOSE 100R17AR -20 X 91" -16FORS X -20FORS 45°
ns*	1372802	1		HOSE 100R17AR -12 X 31" -12FORS STR X -16FORS
ns*	1372811	2		HOSE 100R17AR -12 X 64-1/2" -12FORS X -12MORB
ns*	1372821	1		HOSE 100R17AR -10 X 65" -10FORS X -10MORB
ns*	1372831	1		HOSE 100R17AR -04 X 67-1/2" -4FORS X -6MORB

ns\* = Not Shown

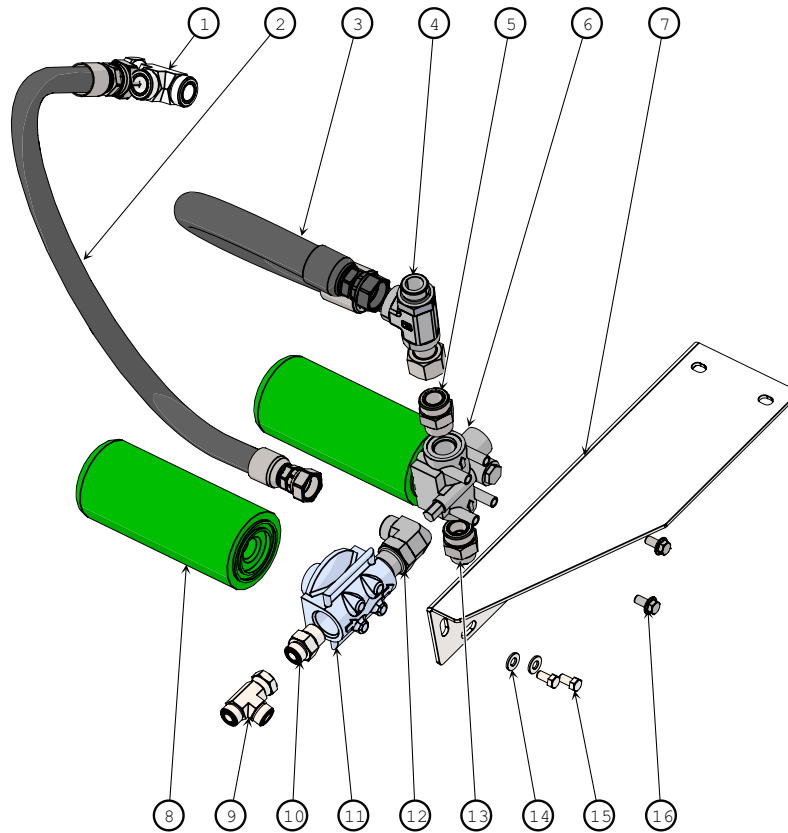
Model SC1500 Specialty Seed Header  
For Serial Numbers SC1500-23001 thru SC1500-23999

**Pump and Gearcase**



BOM ID	Hillco Part No.	Qty	John Deere Part No.	Description
1	1001.24.20	1		STRAIGHT, -24MORB x -20MORFS
2	1001.16.12	1		STRAIGHT, -16MORB X -12MORFS
3	156091	1	99JD70303	PUMP, SERIES 45. AXIAL PORTED
4	156152	2	R522690	GASKET
5	121.012.110	2	19M7790	BOLT,HEX,CL10.9 M12 X 1.75 X 110
6	105.008	2	24M7047	WASHER, FLAT 1/2"
7	1003.04.04	1	38H5015	90° -4MORB X -4MORFS
8	156151	1	RE544941	AUXILIARY DRIVE, ASSEMBLY
9	156158	1	RE539061	OIL LINE
10	1001.04.04	1	15H700	STRAIGHT, -4MORB X -4MORFS
11	156159	1	R110664	COUPLING
12	156160	1	15H700	BUSHING, PIPE
13	10315.00065	1	DIN73411	HOSE,HEATER, 5/8"x 2-1/2"
14	156155	2	M19356	HOSE CLAMP
15	156156	1	RE539062	OIL LINE,
16	122.012.025	3	19M7788	BOLT,HEX,FLANGE,CL10.9 M12X25
17	1025.22.10	1	38H5018	MALE O-RING FACE 90° X MALE METRIC
18	1378421	1		HYD PUMP SUPPORT
19	119.#06	1		NUT,HEX,FLANGE,SERRATED 6-32
20	156032	1		BUMPER,UNTHREADED, TAPERED RND 43/64"OD X 1/4" HIGH
21	114.#06.008	1		SCREW,PHM,CH 6-32X1/2

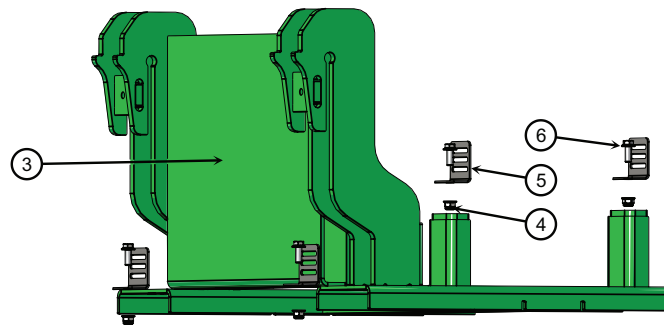
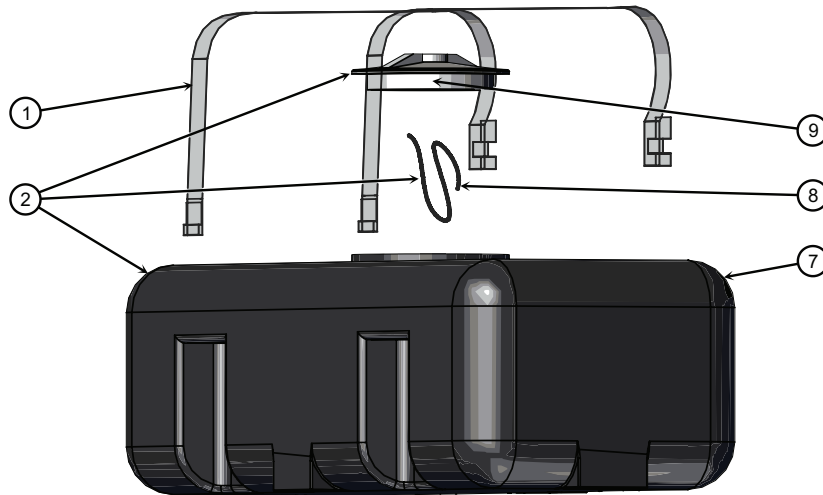
Model SC1500 Specialty Seed Header  
 For Serial Numbers SC1500-23001 thru SC1500-23999  
**Filter**



BOM ID	Hillco Part No.	Qty	John Deere Part No.	Description
1	1008.16	1		TEE,SWIVEL,NUT,RUN
2	1372802	1		HOSE, 100R17AR-12x31";-12FFORS STRx-16FFORS
3	1372692	1		HOSE, 100R17AR-16x51-1/2";-16FF STRx-16FF 90° 56MM
4	1083.016	1		TEE SAE ORB, RUN -16ORB
5	1001.16.16	1		-16MORB x -16MORFS
6	143441	1	AH125733	FILTER ASSEMBLY, OIL
7	1378281	1		DUAL FILTER MNT
8	156161	1	AH128449	OIL FILTER
9	1008.10	1		SWV,NUT,RUN
10	1001.16.10	1		-16MORBx-10MORFS
11	156119	1	99JD71607	HYDRAULIC FILTER HEAD, SAE-16,4 PSI BYPASS
12	1003.16.12	1		-16MORB x-12MORFS
13	1001.12.16	1		-16MORB X -12MORFS
14	105.006	2		WASHER,FLT 3/8
15	102.006.012	2		BOLT,HEX,GR8 3/8-16X3/4"
16	122.010.020	2	19M7784	BOLT,HEX,FLANGE,CL10.9 M10X20

Model SC1500 Specialty Seed Header  
 For Serial Numbers SC1500-23001 thru SC1500-23999

**Spray Kit Option - Frame And Tank**

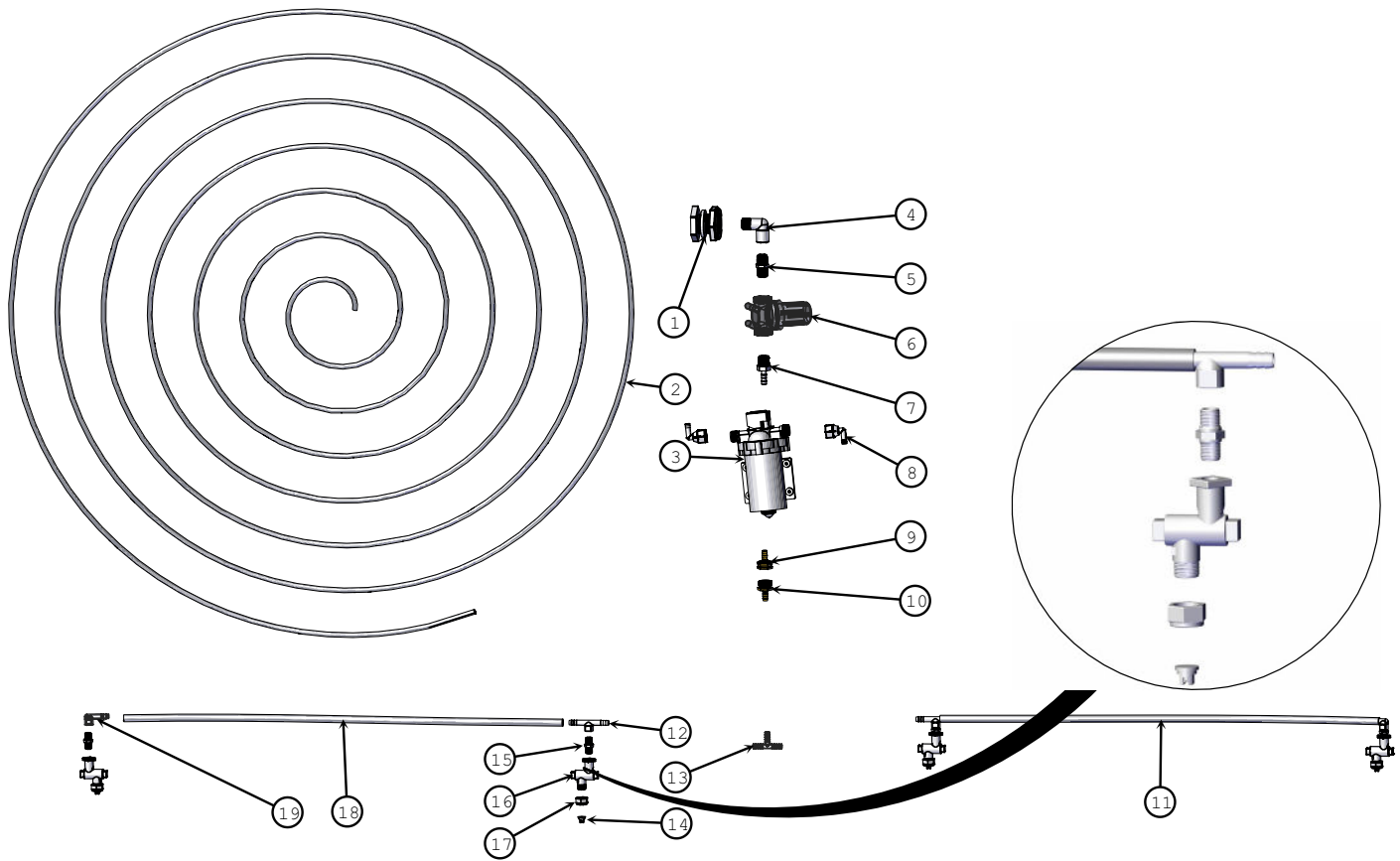


BOM ID	Hillco Part No.	Qty	John Deere Part No.	Description
1 & 11	10298.32.00832	1	50TRSWB	STRAP, WOVEN NYLON 2" X 52"
2	1374691	1	50RTFWB	50 GALLON POLYETHYLENE TANK AND LID
3	10299.134	1		WEIGHT, 134 LBS
4	1374241	1		SPRAY KIT FRAME
5	127.010	4	TY15930	NUT, HEX, FLANGE, NYLOCK M10
6	1374641	4		TANK STRAP BUCKLE
7	122.010.025	4		BOLT, HEX, FLANGE, CL10.9 M10 X 25MM
8	156166	1		50 GALLON POLYETHYLENE TANK
9	10296.02.00288	1	TY15930	NYLON ROPE, 1/8" X 18"
10	156167	1		8" LID WITH AIR VENT



Model SC1500 Specialty Seed Header  
For Serial Numbers SC1500-23001 thru SC1500-23999

**Spray Kit Option - Hose And Pump**



BOM ID	Hillco Part No.	Qty	John Deere Part No.	Description
1	156216	1	PMT050	1/2" POLY, EPDM TANK FITTING
2	10304.06.08832	1	K3155-38	TUBING, 3/8" DIA X 552" PVC W/SPIRALED POLY YARD
3	156165	1	2088-343-135	12VDC,45PSI,3.0GPM, 1/2"NPSM DIAPHRAM PUMP, 2088 SERIES
4	156219	1	PMHB050-90	1/2" POLY STREET ELBOW 90°
5	156220	1	PMN1050-SH	1/2" SHORT POLY NIPPLE
6	156221	1	PMLSTM050-50	MINI T-STRAINER W/30 MESH SCREEN
7	156217	1	PMNB050-38	POLY MALE STRT HOSE BARB, 1/2"MPT X 3/8" BARB
8	156169	2	66.234-3916	WINGNUT SWIVEL ELBOW
9	156222	1	3/8GHF	FITTING, 3/8"BARB X FEMALE GARDEN HOSE FITTING
10	156223	1	3/8GHM	FITTING, 3/8" BARB X MALE GARDEN HOSE FITTING
11	10304.06.00568	1	K3155-38	TUBING, 3/8" DIA X 35.5" PVC W/SPIRALED POLY YARD
12	156215	2	13435-406NYB	1/4" FPT X 3/8 HOSE BARB TEE
13	156218	1	3T38	3/8" POLY HOSE BARB TEE
14	156171	4	TP8006EUS	TEE JET 8006EVS SPRAY TIP 80°
15	1078.04	4	PMNIP025-SH	NIPPLE, POLY PIPE 1/4" SHORT
16	156168	4	8600-1/4T-NYB	1/4" FPT 1 OUTLET SWIVEL NOZZLE BODY
17	156170	4	CP8027-NYB	TEEJET NYLON CAP, CP8027-NYB
18	10304.06.00568	1	K3155-38	TUBING, 3/8" DIA X 35.5" PVC W/SPIRALED POLY YARD
19	156214	2	13434-406NYB	ADAPTER, 1/4" FPT 3/8 HOSE SHANK



1377451 (RH)



1377471 (LH)

**⚠ WARNING**

Components behind guards or access doors in this area may rotate possibly several minutes, after power is shut off.

To avoid bodily injury:

1. Look and listen for evidence of rotation.
2. Do not open or move guard or access door until all components have stopped.

156041

**⚠ WARNING**



**AVOID INJURY FROM ROTATING KNIVES**

- Keep hands and feet away while machine is running
- Shut off power to service, lubricate or fold for transport.

156042

**⚠ DANGER**



Entanglement in rotating driveline can cause serious injury or death.

Keep all shields in place.

Avoid contact with rotating parts.

156045

**⚠ WARNING**



Avoid serious injury from entanglement. Never raise shield with the engine running. Stop engine and remove key.

156046

**⚠ DANGER**



**PINCH POINT HAZARD**

- Keep hands, feet and body away from moving parts.
- Do not stand or climb on machine when operating.

155139

Model SC1500 Specialty Seed Header  
 For Serial Numbers SC1500-23001 thru SC1500-23999

**Decals**



147651



100790

BOM ID	Hillco Part No.	John Deere Part No.	Qty	Description
ns*	1347431		2	STICKER, RED, 2"X9"
ns*	1347441		2	STICKER, YELLOW, 2"X9"
ns*	156184	JD5922	2	STICKER, RED/ORANGE, 2"X9"