



## Air Intake System for High Mount CNH Combines Install Manual

**WARNING**

When the grain tank extensions and auger are folded down the Hillco Precleaner is the tallest point on the combine.

D-160523CMA02

**WARNING**

Do not remove CNH precleaner or air filter. They must remain in place to work properly with the Hillco precleaner otherwise damage may occur to the engine.



# **Statement of Limited Warranty**

## **Class III Warranty**

### **Parts Only**

Hillco warrants its Class III products to be free from defects in material and workmanship for a period of twelve (12) consecutive months following the warranty start date.

The warranty start date for Hillco Class III products is the date of the invoice, or the first date of use, whichever is earliest. Once the warranty period has begun, it cannot be stopped or interrupted.

Hillco warrants genuine Hillco replacement parts and components to be free from defects in material and workmanship for a period of ninety (90) consecutive days following the Hillco invoice date, or the remainder of the original equipment warranty period, whichever is longer.

Hillco's obligation under this parts warranty shall be limited to repairing or replacing, any part(s) that, in Hillco's judgment, shows evidence of such defect, to the original purchaser. This parts warranty does not cover any related labor associated with replacing parts deemed to be defective.

### **Limitations to Warranty**

This warranty does not cover:

- 1) Any product damaged by accident, abuse, misuse, negligence, or improper maintenance.
- 2) Any unauthorized product alteration or modification.
- 3) Any unauthorized repairs made with parts other than genuine Hillco parts unless specifically authorized by Hillco.
- 4) Any repairs performed by anyone other than Hillco or an authorized Hillco dealer unless specifically authorized by Hillco.
- 5) Any claims directly resulting from improper installation, except those installations performed by Hillco.
- 6) Any labor costs associated with the defective part(s).

### **Warranty Procedure**

Hillco Class III Warranty Registration Card must be completed and submitted by retail customer within thirty (30) days of purchase.

All warranty work must be performed, and claims submitted, within thirty (30) days of the occurrence of the claim and within the warranty period.

All parts removed during warranty repair should be held for a period of sixty (60) days after the warranty claim has been submitted to Hillco.

Hillco reserves the right to either inspect the product at the original retail purchaser's location, or the authorized Hillco's dealer's location; or require it to be returned to Hillco, transportation charges prepaid, for inspection.

To file a warranty claim, email [support@hillcotechologies.com](mailto:support@hillcotechologies.com) with the following information:

- Your full name and phone number
- Proof of purchase
- Description of issue
- Serial number and/or part number(s) of items needing replaced, and
- If available, include any photos that can assist to describe the issue.

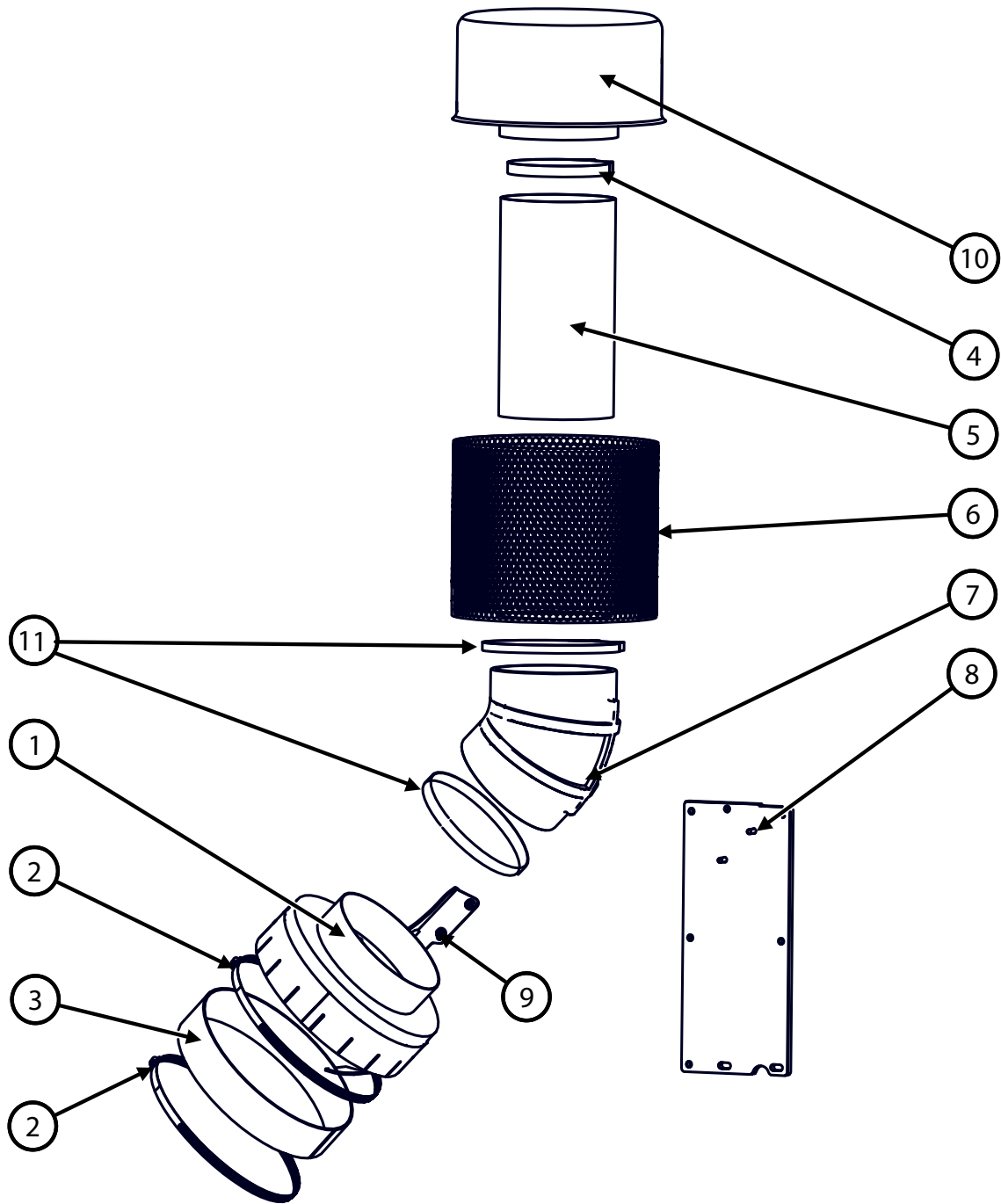
### **Limitation of Liability**

Hillco makes no express warranties other than those, which are specifically described herein. Any description of the goods sold hereunder, including any reference to buyer's specifications and any descriptions in circulars and other media published by Hillco is for the sole purpose of identifying such goods and shall not create an express warranty that the goods shall conform to such description.

THIS WARRANTY IS EXPRESSLY IN LIEU OF ALL OTHER WARRANTIES EXPRESSED OR IMPLIED. There are no implied warranties of merchantability or fitness for a particular purpose. This warranty states Hillco's entire and exclusive liability and buyer's exclusive remedy for any claim for damages in connection with the sale or furnishing of Hillco products, their design, suitability for use, installation, operation, or for any claimed defects herein. HILLCO WILL IN NO EVENT BE LIABLE FOR ANY INCIDENTAL OR CONSEQUENTIAL DAMAGES WHATSOEVER, NOR FOR ANY SUM IN EXCESS OF THE PRICE RECEIVED FOR THE GOODS FOR WHICH LIABILITY IS CLAIMED.

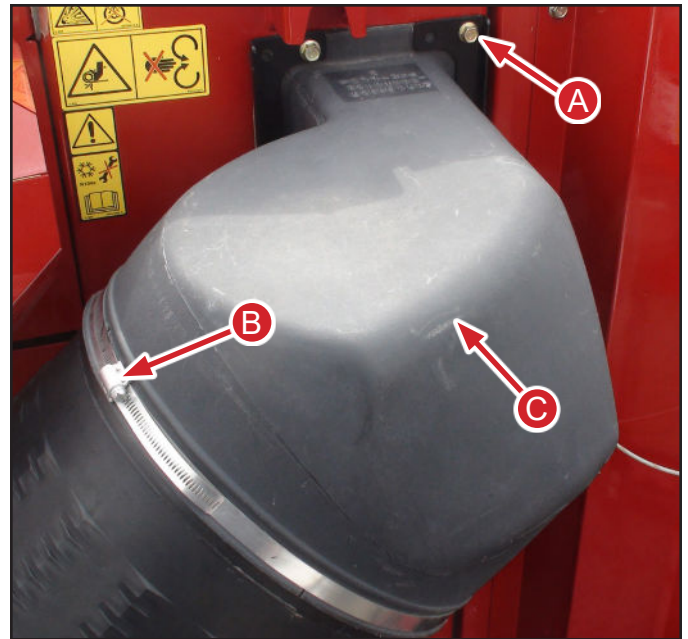
Neither representative of Hillco nor any dealer associated with Hillco has the authority to change the items of this warranty in any manner whatsoever, and no assistance to purchaser by Hillco in the repair or operation of any Hillco product shall constitute a waiver of the conditions of this warranty, nor shall such assistance extend or revive it.

Hillco reserves the right to make improvements in design or changes in specifications at any time, without incurring any obligation to owners of units previously sold.



BOM ID	Part No	Qty	Description
1	1372251	1	PRECLEANER ADAPTOR, 8 INCH
2	155566	2	HOSE CLAMP
3	1334851	1	AI ASM, RUBBER TRIM
4	155510	1	HOSE CLAMP, 8"
5	10227.14.00240	1	PIPE, 8OD X 14GA X 15" LENGTH
6	156233	1	CORN SCREEN 8"
7	156266	1	ELBOW, RUBBER, 45°, 8"ID
8	1349512	1	BASE PLATE
9	123.008	2	NUT, M8x1.25
10	155683	1	EX-80 PRECLEANER, BLACK
11	-	2	CLAMP (INCLUDED WITH ELBOW)

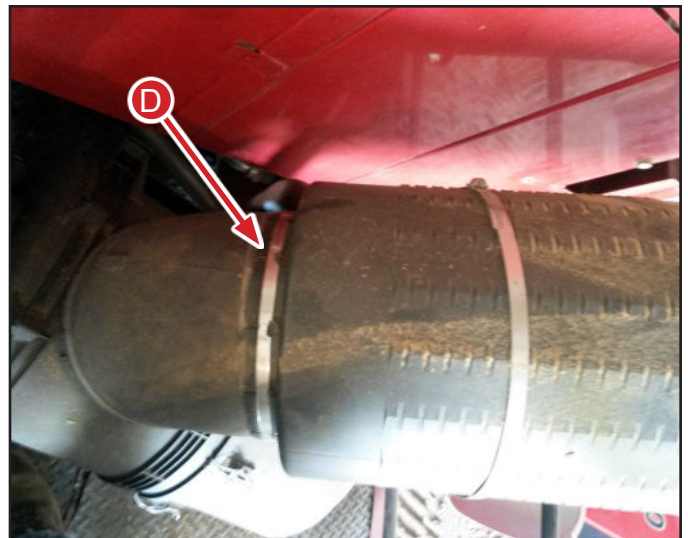
Step 1 – Remove bolts (A) and clamping rings (if equipped). Bolts will be reused. Discard clamping rings.



Step 2 – Loosen hose clamp (B) and slide it down onto strata tube. It will be reused later.

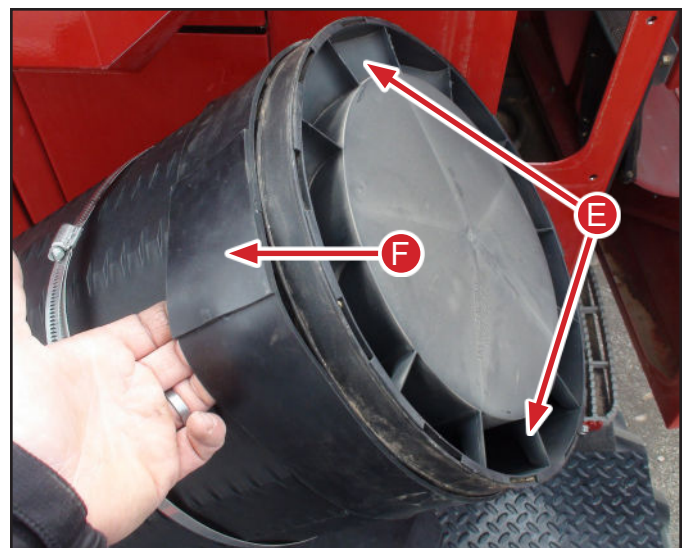
Step 3 - Remove plastic elbow (C) and discard.

Make sure that the clamp that holds the strata tube onto the bottom elbow is tight. If not when you attempt to remove the elbow it may separate here breaking the silicone seal.



Step 4 - Inspect strata tubes to make sure they are clean. If dirty disassemble from filter housing and clean.

Slide the rubber coupler over the strata tube with the patch (F) to the outside. This is a rubber seal that will go over top the CNH precleaner and the Hillco precleaner adapter.

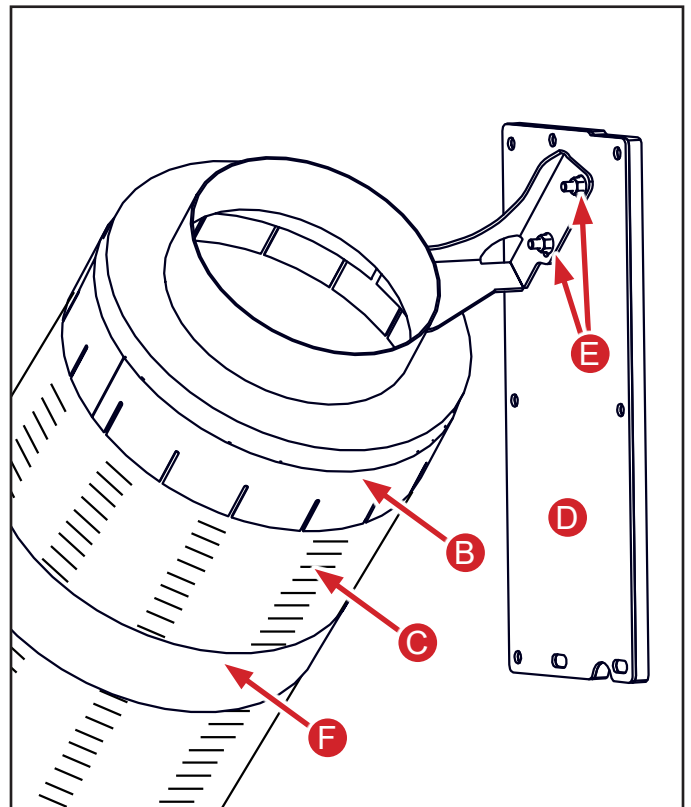


Step 5 – Secure the precleaner support bracket with 4-6 M8 x 35 bolts (A) depending on combine model to the combine's radiator housing covering the existing hole.



Step 6 – Fit notched ring for mount (B) over Case plastic precleaner (C). Mount notched ring to cover plate (D) with the provided M8 nuts (E).

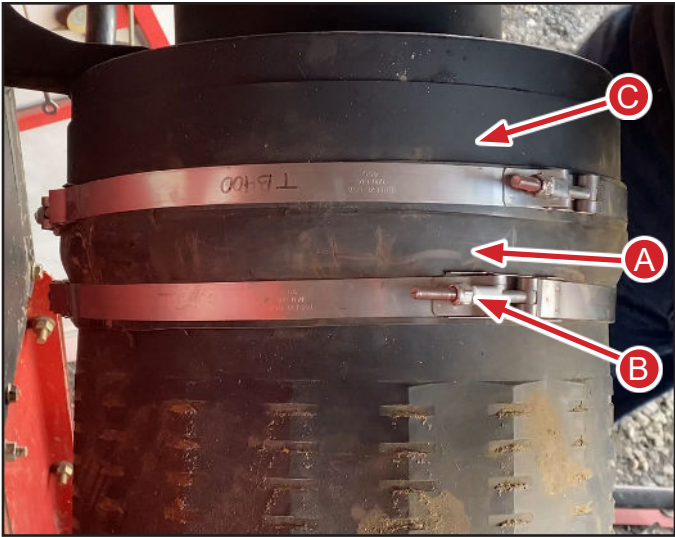
Note: Rubber coupler seal (F) is slid down on CNH precleaner. In the next step this seal will slide over top the Hillco precleaner mount and the CNH precleaner to make a seal between the two preventing dirty air to escape by the Hillco precleaner.



Step 7 - Slide the rubber coupler (A) over the seam between the original precleaner and the Hillco adapter. Center the rubber coupler over the seam.

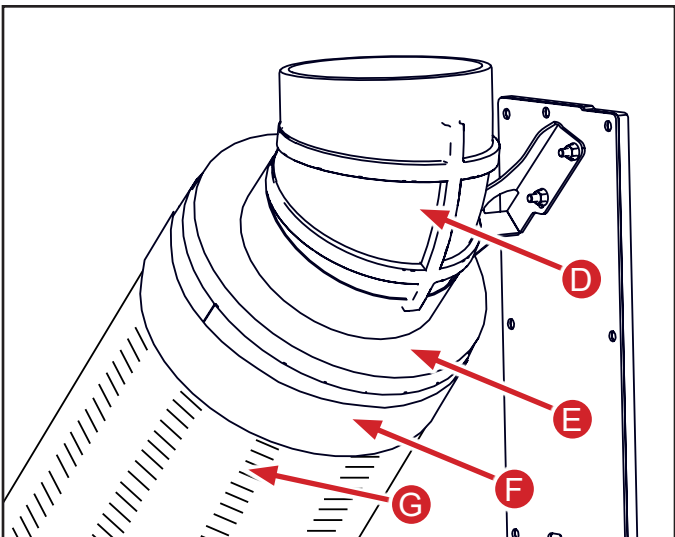
Step 8 - Secure rubber coupler with Clamps over original precleaner (B) and also over Hillco adapter (C). Make sure the clamp (B) is positioned so that it is making a good seal over the plastic strata tube.

**CAUTION** Make sure rubber seal is over the Hillco adapter and the CNH precleaner. If seal is not installed over top both it will not seal correctly allowing dirty air to bypass Hillco precleaner.



Step 9 - Install rubber 45° elbow (D) to reducer (E). Use proved clamp. Note: Rubber seal (F) is over top Hillco mount (E) and the CNH precleaner

Note: Rubber seal (F) is over top Hillco mount (E) and the CNH precleaner



Step 10 - If the combine is harvesting corn a precleaner screen is necessary. To install the precleaner screen it is necessary to install the precleaner (H) to the pipe (I) first. Secure precleaner to pipe with the provided hose clamp. Make sure all slots of precleaner are over pipe.



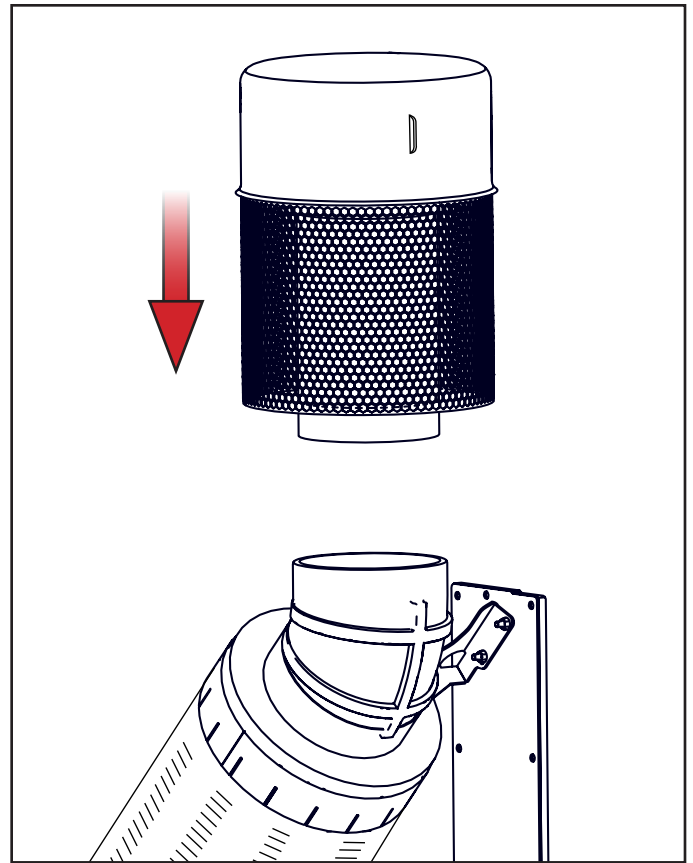
After precleaner is secured to pipe slide screen (J) over pipe. Install screen so the small hole is towards the bottom and the big ring just sits inside the precleaner lip.



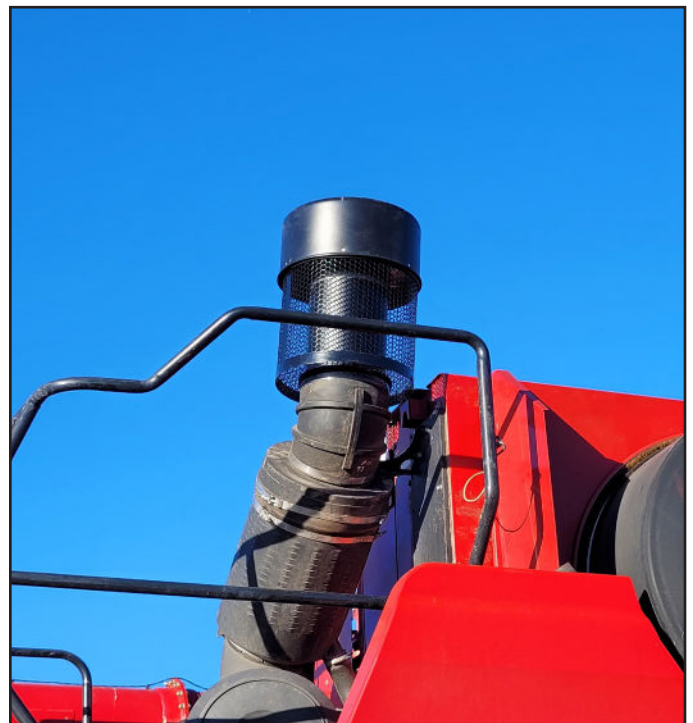
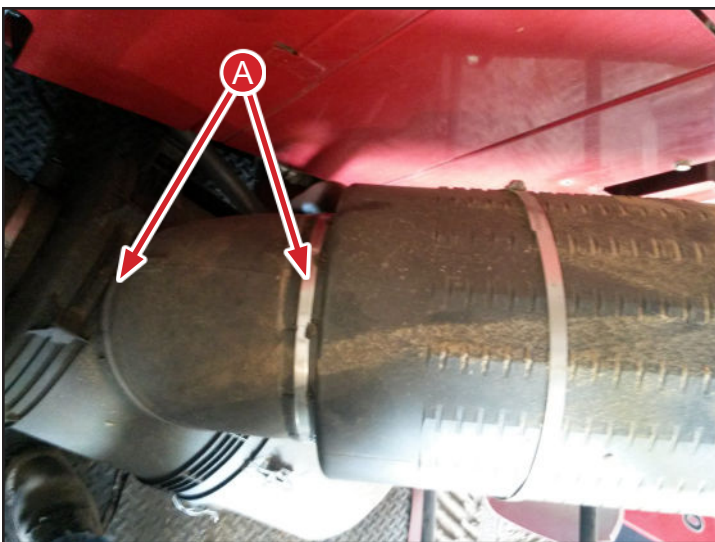
Step 11 - Install precleaner and pipe to rubber elbow.

Mount precleaner louver so it is facing the right side of the combine. This louver is where the dirty air is discharged.

Secure in place with hose clamp.



Note: Make sure the joints (A) are sealed tightly. We have found that on new and used combines the joints have pulled apart letting dirt into the filter.



This completes the installation.

Please call Hillco Technologies at (800) 937-2461 with any questions you may have about this install.