

Model HC1010 48', 60', 72', & 84' 16 Bar Harrow & Cart Parts Manual

SN HC1010-18001 thru HC1010-19999

D-180315CMA01B

Table of Contents

General Information	3
Serial Number Location	3
Text and Illustrations	3
Abbreviations	3
Right and left Identification	3
Part Orders	3
Hitch	4
Center Frame - Wheels	5
Wing Pull Latches	6
Left Wing Pull Latch	6
Right Wing Pull Latch	8
Center Beam	10
Wing Crosses	12
Left Wing Cross	12
Right Wing Cross	13
Wing Pull Pivot	14
Left Pull Pivot	14
Right Pull Pivot	15
Wing Wheels	16
Left Wing Wheel	16
Right Wing Wheel	18
Wing Extension	20
Frame, Wings and Pulls	21
48' & 60'	21
72' & 84'	22
Harrow Hangers & Pulls	23
Lift Tubes	24
Harrow	25
Sections	25
Harrow Bars	26
Connecting Links and Spikes	27
Harrow Hanger Connectors	28
Hydraulics - Wing Up	29
Hydraulics - Pivoting Wing Wheels	30
Electrical	31
Decals	32

Contact Information

Hillco Technologies, Inc.
1010 1st Avenue
Nezperce, Idaho 83543

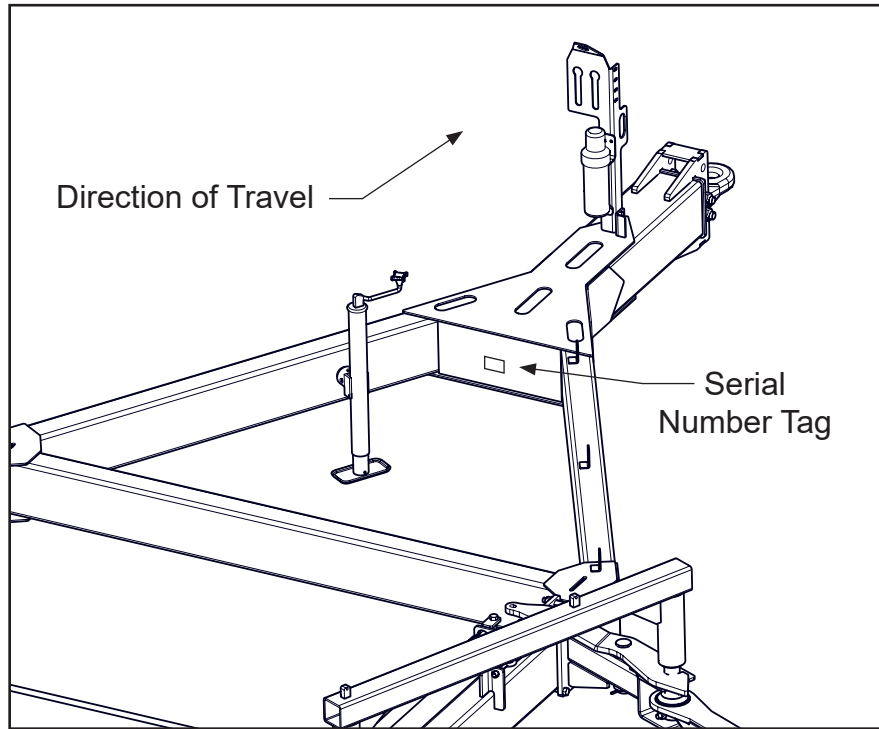
www.hillcotechnologies.com

email: support@hillcotechnologies.com

Phone 800-937-2461
208-937-2461
Fax 208-937-2280

GENERAL INFORMATION

SERIAL NUMBER LOCATION



TEXT AND ILLUSTRATIONS

The arrangement of this parts catalog is for easy identification of parts. All parts are illustrated in exploded views in proper relation to each other. Some diagrams refer to other pages for further information. Reference numbers used in the illustrations refer to line numbers in the part lists. The part lists appear to the right or below all diagrams and correspond with those diagrams. Included in the part lists, along with the reference numbers are part numbers, part descriptions and the quantity of the part required per leveling system.

ABBREVIATIONS

SN "Serial Number" refers to the serial number given to each leveling system (by Hillco Technologies), as well as the serial number given to the combine (by the specific combine manufacturer) the leveling system is installed. See above for the leveling system's serial number location. This abbreviation is used interchangeably in both instances. Each Model HC1010 Leveling System uses the following serial number format: HC1010-XXXXX (sequential numbers).

ASM "Assembly" refers to a whole grouping of parts (shown in the diagram corresponding with the page where "ASM" is shown unless otherwise noted). Some assemblies have parts that are sold separately, however some must be purchased as a single unit. Hillco Product Specialists will be able to assist you with any questions.

NS "Not Shown" refers to a part that is not depicted in the illustration.

RIGHT AND LEFT IDENTIFICATION

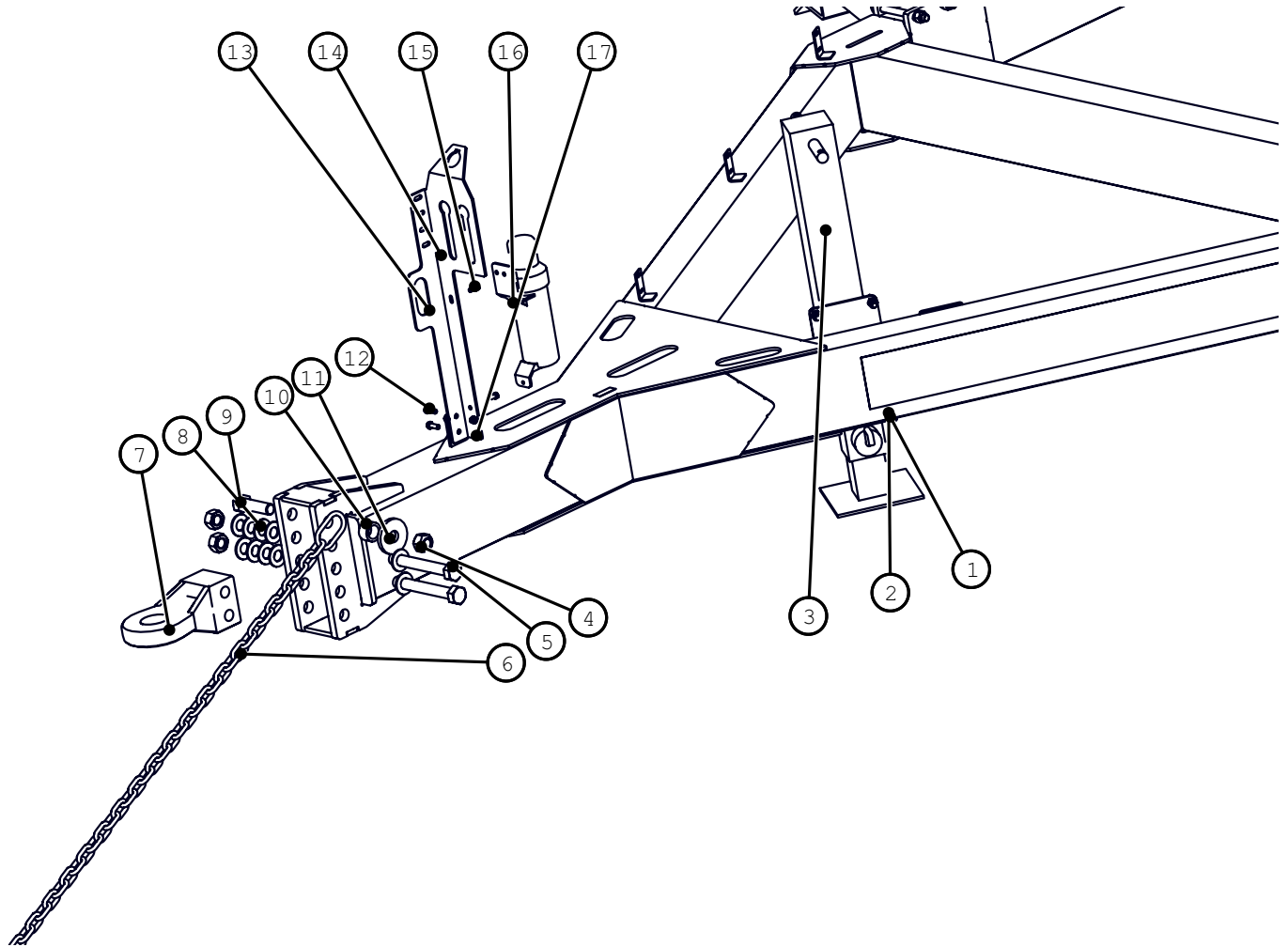
The reference to right-hand and left-hand in this catalog is identified by the operator sitting in the operator's seat, looking toward the front of the machine (in normal forward travel).

PART ORDERS

Orders must specify product model, serial number, correct part number, complete description, quantity required, method of shipment, shipping address, and billing address.

Model HC1010 16 Bar Harrow & Cart
 For Serial Numbers HC1010-18001 thru HC1010-19999

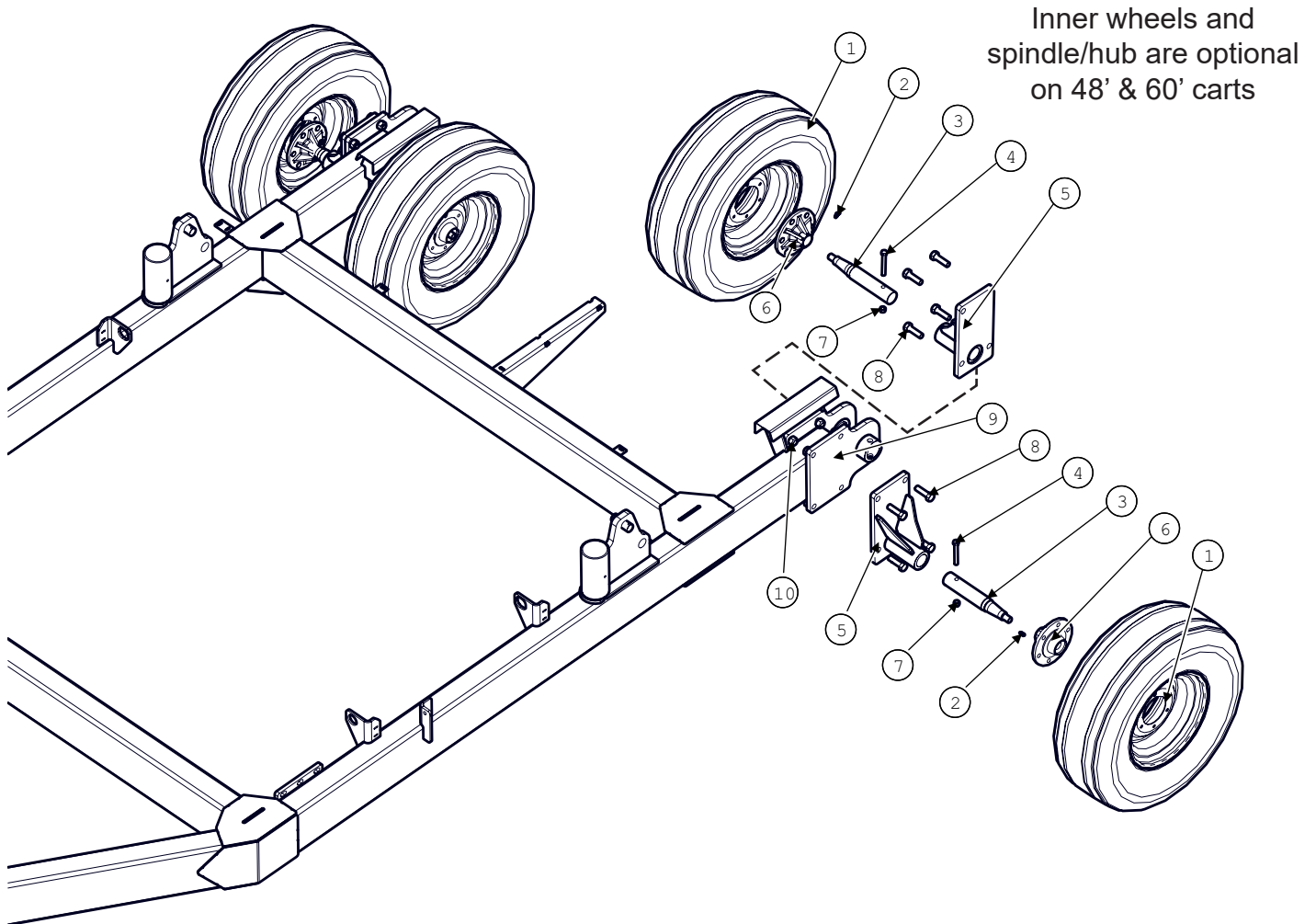
Hitch



BOM ID	Part No.	Qty	Description
1	188.008	3	NUT,HX,STV,GR8 1/2
2	102.008	4	BOLT,HX,GR8 1/2-13X1-1/2
3	155959	1	12000 LB TRILER JACK, WELD ON
4	188.016	3	NUT,HX,STV,GR8 1-8
5	102.016	2	BOLT,HX,GR8 1-8X9
6	155670	1	0.375 GRADE 70 CHAIN
7	155661	1	HITCH, IMPLEMENT, CAT4,
8	133.016	10	1"
9	102.016	1	BOLT,HX,GR8 1-8X3-1/2
10	10160.04.00018	1	TM,A513,DOM 1-3/4ODX1/4WX1-1/8
11	155996	1	RETAINER WASHER, SAFETY CHAIN
12	102.006	1	BOLT,HX,GR8 3/8-16X1
13	119.005	1	NUT,HX,FL,SERR 5/16-18
14	1340242	1	HOSE STOW
15	102.005	1	BOLT,HX,GR8 5/16-18X3/4
16	155755	1	12"x 3-1/4OD
17	188.006	1	NUT,HX,STV,GR5,3/8-16

Model HC1010 16 Bar Harrow & Cart
For Serial Numbers HC1010-18001 thru HC1010-19999

Center Frame - Wheels

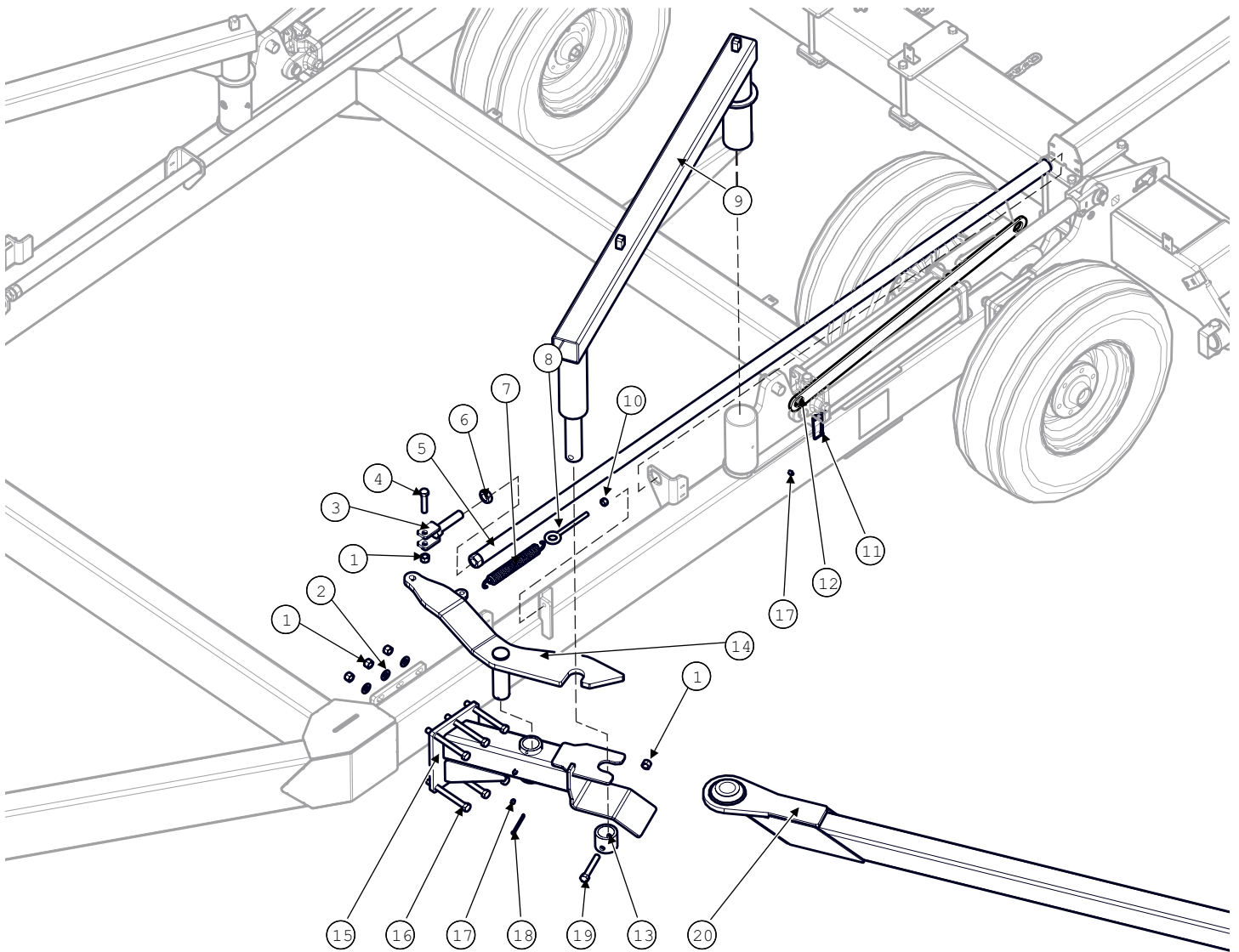


Center section left hand wheels shown. Same parts for right hand center wheels.

BOM ID	Part No.	Qty	Description
1	155736	2-4	STANDARD 11L-15SL, 12-PLY, I1 W/ 15X8,
1	155657	2-4	OPTIONAL FIRESTONE IF280/70R15, 128A8, AD2 W/ 15X8,
2	138591	4	ZERK, GREASE 1/8 MPT 90 DEG
3	1340321	4	SPINDLE
4	102.008.064	4	BOLT,HX,GR8 1/2-13X4
5	1339421	4	SPINDLE MOUNT, CART
6	153041	4	HUB, WHEEL
*NS	LM501310 (Timken)	4	Inner Cup (Race)
*NS	LM501349 (Timken)	4	Inner Cone (Bearing)
*NS	LM67010 (Timken)	4	Outer Cup (Race)
*NS	LM67048 (Timken)	4	Outer Cone (Bearing)
*NS	18823 (CR/SKF)	4	Seal
7	188.008	4	NUT,HX,STV,GR8 1/2
8	102.012.040	16	BOLT,HX,GR8 3/4" -10 X 2-1/2"
9	1348611	1	CART FRAME (48' & 60')
9	1338892	1	CART FRAME (72' & 84')
10	188.012	16	NUT,HX,STV,GR8 3/4"

Model HC1010 16 Bar Harrow & Cart
For Serial Numbers HC1010-18001 thru HC1010-19999

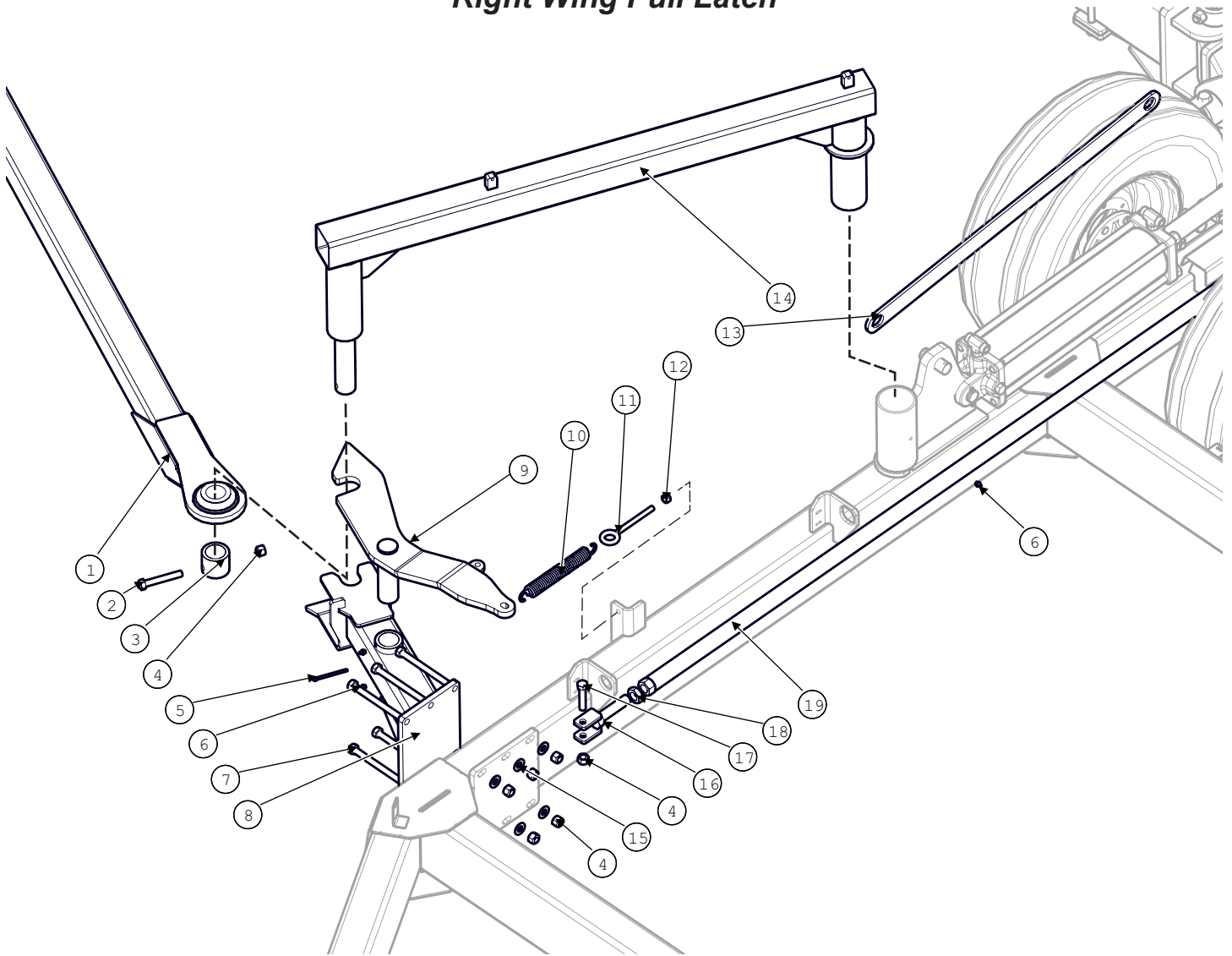
Left Wing Pull Latch



Model HC1010 16 Bar Harrow & Cart
For Serial Numbers HC1010-18001 thru HC1010-19999

BOM ID	Part No.	Qty	Description
1	188.010	8	NUT,HX,STV,GR8 5/8
2	133.010	6	WASHER,L9,HD 5/8
3	1344191	1	CLEVIS, PUSHROD
4	102.010.048	1	BOLT,HX,GR8 5/8" - 11 X 3"
5	1339551	1	PUSHROD, LATCH RELEASE
6	174.016	1	NUT,HX,JAM,GR5 1-8
7	155730	1	SPRING, EXTENSION, 1.312"OD, .225" WIRE DIA, 10.3" FREE LENGTH
8	110.008.080	1	BOLT,EYE 1/2" -13 X 5"
9	1338851	1	SUPPORT ARM
10	188.008	1	NUT,HX,STV,GR8 1/2
11	155996	1	PIN,SNAP,LCK
12	1338901	1	SAFETY STRAP
13	1339312	1	COLLAR, LATCH PIN
14	1356581	1	LATCH PLATE, LEFT
15	1344431	1	LATCH MOUNT, LEFT
16	102.010.104	6	BOLT,HX,GR8 5/8" -11 X 6-1/2"
17	133891	3	ZERK, GREASE, 1/8
18	142.004.048	1	COTTER KEY 1/4" x 3"
19	102.010.064	1	BOLT,HX,GR8 5/8" -11 X 4"
20	1339611	1	PULL ARM (72' & 84')
20	1348641	1	PULL ARM (48' & 60')

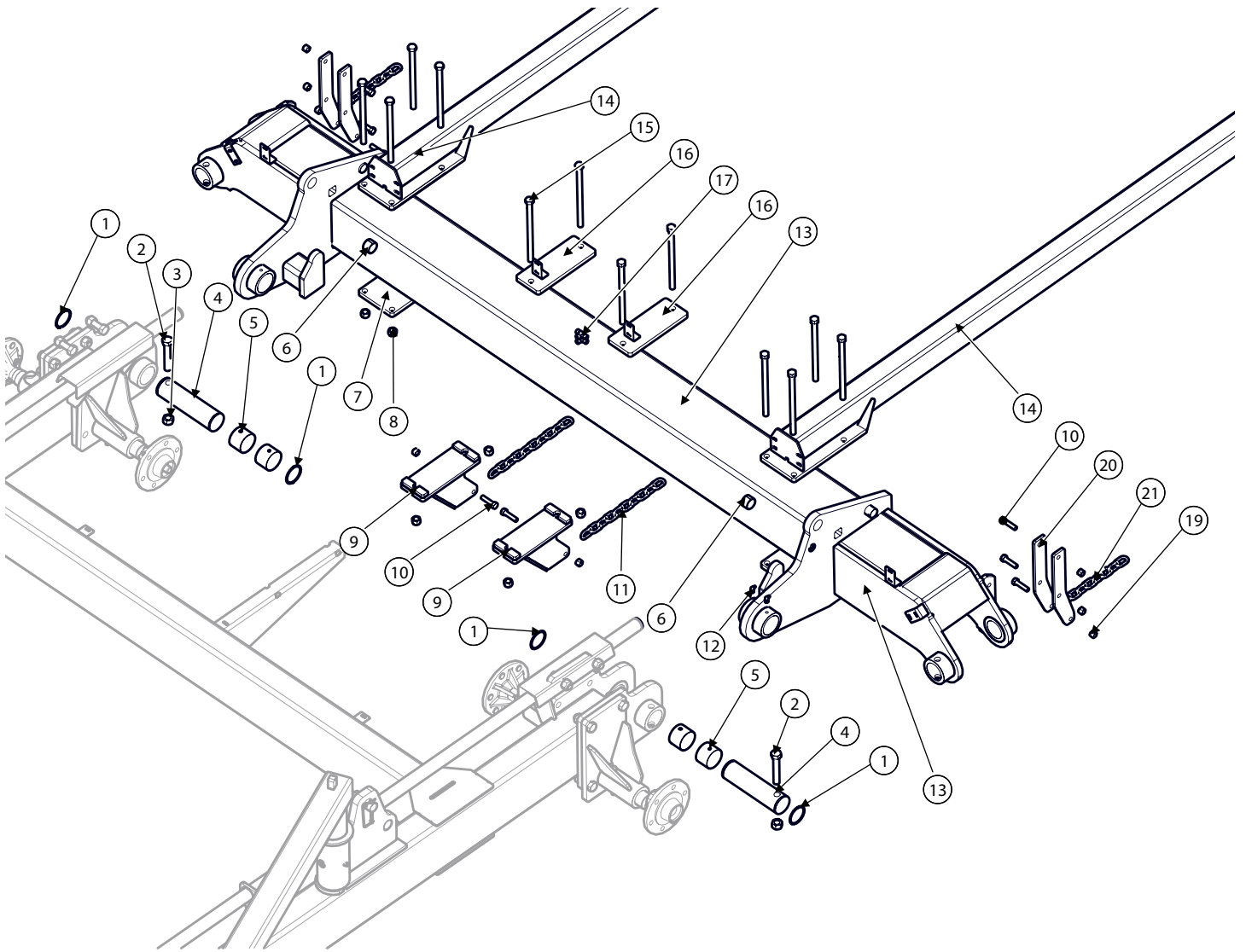
Right Wing Pull Latch



Model HC1010 16 Bar Harrow & Cart
For Serial Numbers HC1010-18001 thru HC1010-19999

BOM ID	Part No.	Qty	Description
1	1339611	1	PULL ARM (72' & 84')
1	1348641	1	PULL ARM (48' & 60')
2	102.010.064	1	BOLT,HX,GR8 5/8" -11 X 4"
3	1339312	1	COLLAR, LATCH PIN
4	188.010	8	NUT,HX,STV,GR8 5/8
5	142.004.048	1	COTTER KEY 1/4" x 3"
6	133891	3	ZERK, GREASE, 1/8
7	102.010.104	6	BOLT,HX,GR8 5/8" -11 X 6-1/2"
8	1344441	1	LATCH MOUNT, RIGHT
9	1356591	1	LATCH PLATE, RIGHT
10	155996	1	SPRING, EXTENSION, 1.312"OD, .225" WIRE DIA, 10.3" FREE LENGTH
11	110.008.080	1	BOLT,EYE 1/2" -13 X 5"
12	188.008	1	NUT,HX,STV,GR8 1/2
13	1338901	1	SAFETY STRAP
14	1338851	1	SUPPORT ARM
15	133.01	6	WASHER,L9,HD 5/8
16	1344191	1	CLEVIS, PUSHROD
17	102.010.048	1	BOLT,HX,GR8 5/8" -11 X 3"
18	174.016	1	NUT,HX,JAM,GR5 1-8
19	1339551	1	PUSHROD, LATCH RELEASE

Center Beam

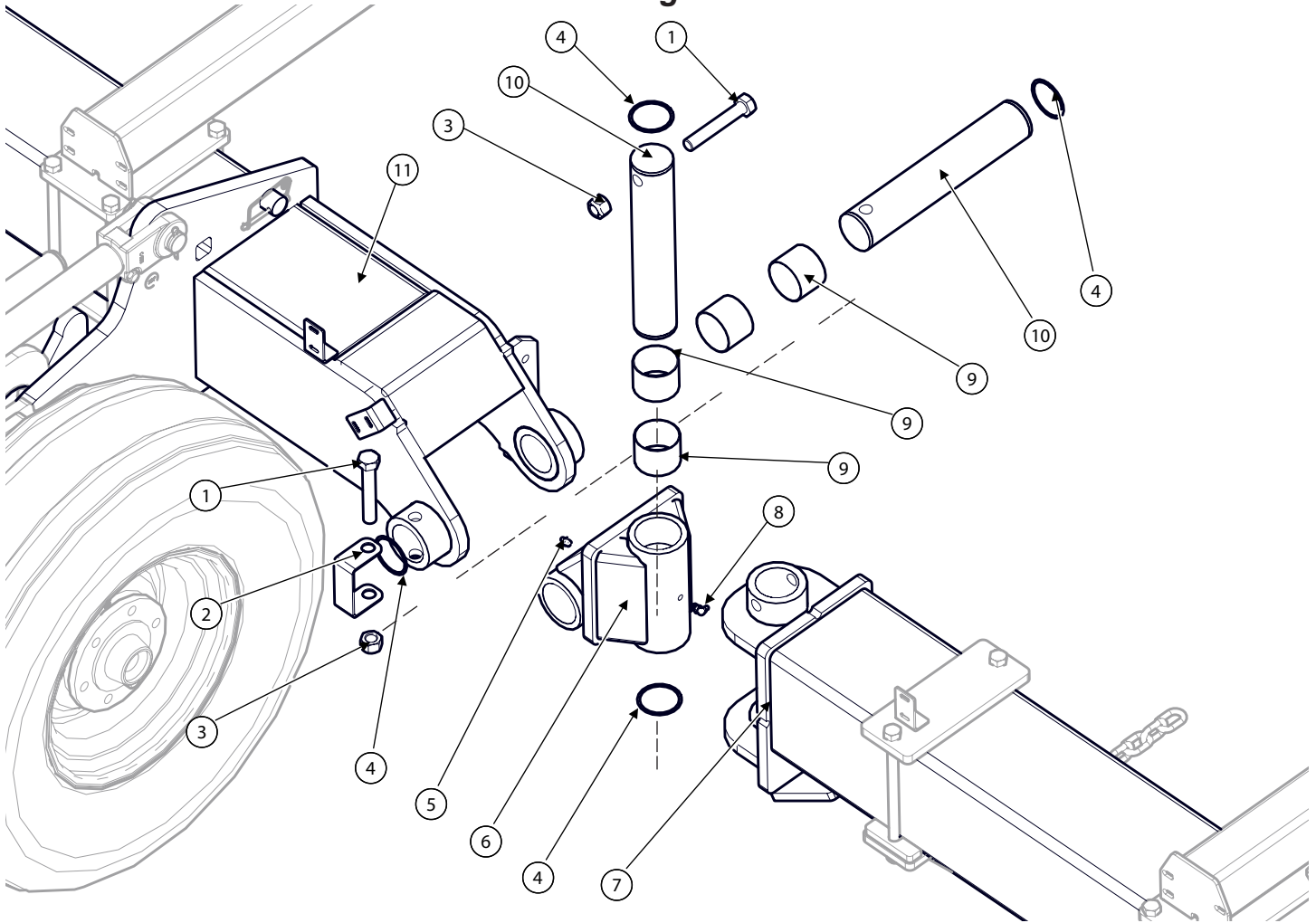


Model HC1010 16 Bar Harrow & Cart
For Serial Numbers HC1010-18001 thru HC1010-19999

BOM ID	Part No.	Qty	Description
1	155727	5	RETAINING RING, EXTERNAL, FOR 2-1/2" DIA. SHAFT
2	102.012.072	2	BOLT,HX,GR8 3/4" -10 X 4-1/2"
3	188.012	2	NUT,HX,STV,GR8 3/4
4	1343981	2	PIVOT PIN, CENTER BEAM
5	1347411	4	PIVOT BUSHING, CENTER BEAM
6	155664	2	BUSHING, SPLIT TENSION, 1-1/4" ID,
7	1338372	2	MOUNT PLATE,
8	188.010	12	NUT,HX,STV,GR8 5/8-11
9	1338511	2	HARROW PULL
10	102.008.032	8	BOLT,HX,GR8 1/2" -13 X 2"
11	1340601	2	LIFT CHAIN, 10-LINK
12	138591	2	ZERK, GREASE 1/8 MPT 90DEG
13	1348621	1	CENTER BEAM (48' & 60')
13	1339022	1	CENTER BEAM (72' & 84')
14	1338404	2	LIFT ARM
15	102.010.160	12	BOLT,HX,GR8 5/8" -11 X 10"
16	1339041	2	CLAMP PLATE,
17	1018.04	2	UNION -4ORFS
19	188.008	8	NUT,HX,STV,GR8 1/2
20	1339632	4	PLATE, HINGE PULL
21	1340611	2	PULL CHAIN, 8-LINK

Model HC1010 16 Bar Harrow & Cart
 For Serial Numbers HC1010-18001 thru HC1010-19999

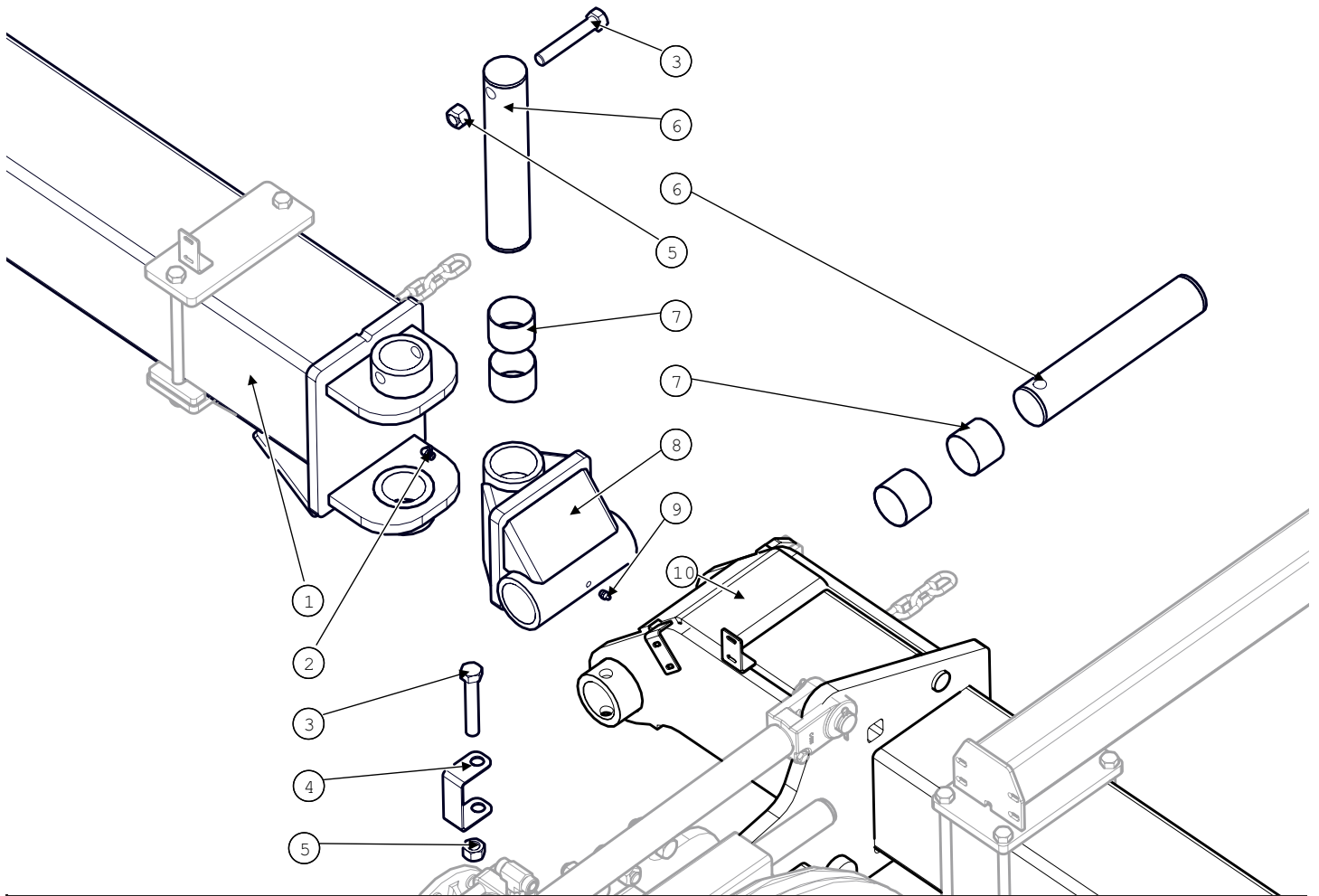
Left Wing Cross



BOM ID	Part No.	Qty	Description
1	102.012.072	2	BOLT,HX,GR8 3/4" -10 X 4-1/2"
2	1340662	1	HOSE GUIDE,
3	188.012	2	NUT,HX,STV,GR8 3/4
4	155727	4	RETAINING RING, EXTERNAL, FOR 2-1/2" DIA. SHAFT
5	133891	1	ZERK, GREASE, 1/8
6	1339501	1	CROSS (SN 18001-19004)
6	1353231	1	CROSS (SN 19005-)
7	1349301	1	WING TUBE 48' (SN 18001-19004)
7	1353311	1	WING TUBE 48' (SN 19005-)
7	1348631	1	WING TUBE 60' (SN 18001-19004)
7	1353321	1	WING TUBE 60' (SN 19005-)
7	1339522	1	WING TUBE 72 & 84' (SN 18001-19004)
7	1353331	1	WING TUBE 72 & 84' (SN 19005-)
8	138591	1	ZERK, GREASE 1/8 MPT 90DEG
9	155658	4	BUSHING, IGLIDE Q, 2-1/2" SHAFT,
10	1343971	2	PIVOT PIN, HINGE
11	1348621	1	CENTER BEAM (48' & 60')
11	1339022	1	CENTER BEAM (72' & 84')

Model HC1010 16 Bar Harrow & Cart
 For Serial Numbers HC1010-18001 thru HC1010-19999

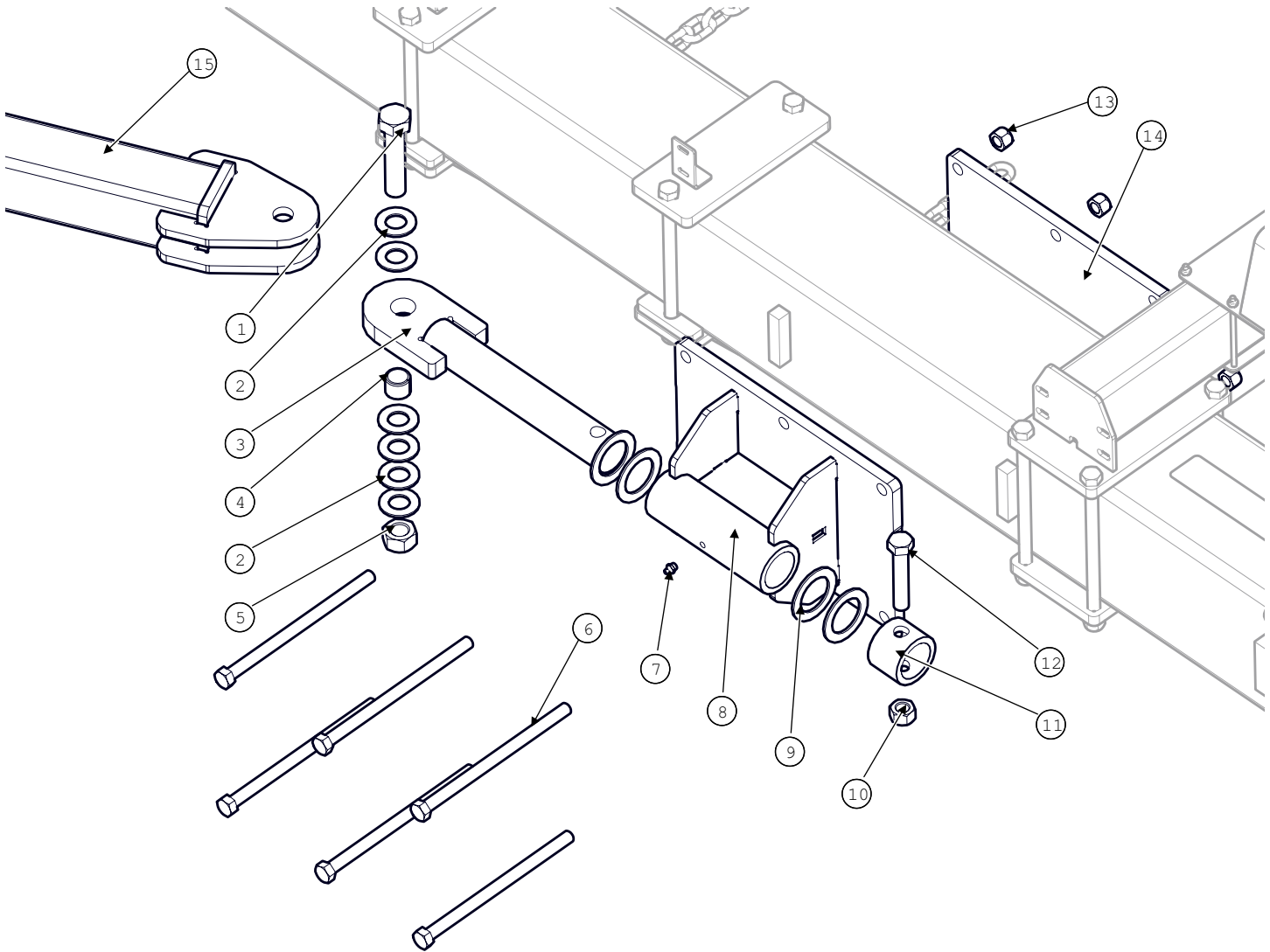
Right Wing Cross



BOM ID	Part No.	Qty	Description
1	1349301	1	WING TUBE 48' (SN 18001-19004)
1	1353311	1	WING TUBE 48' (SN 19005-)
1	1348631	1	WING TUBE 60' (SN 18001-19004)
1	1353321	1	WING TUBE 60' (SN 19005-)
1	1339522	1	WING TUBE 72 & 84' (SN 18001-19004)
1	1353331	1	WING TUBE 72 & 84' (SN 19005-)
2	138591	1	ZERK, GREASE 1/8 MPT 90DEG
3	102.012.072	2	BOLT,HX,GR8 3/4" -10 X 4-1/2"
4	1340662	1	HOSE GUIDE,
5	188.012	2	NUT,HX,STV,GR8 3/4
6	1343971	2	PIVOT PIN, HINGE
7	155658	4	BUSHING, IGLIDE Q, 2-1/2" SHAFT,
8	1339501	1	CROSS (SN 18001-19004)
8	1353231	1	CROSS (SN 19005-)
9	133891	1	ZERK, GREASE, 1/8
10	1339022	1	CENTER BEAM (48' & 60')
10	1348621	1	CENTER BEAM (72' & 84')

Model HC1010 16 Bar Harrow & Cart
 For Serial Numbers HC1010-18001 thru HC1010-19999

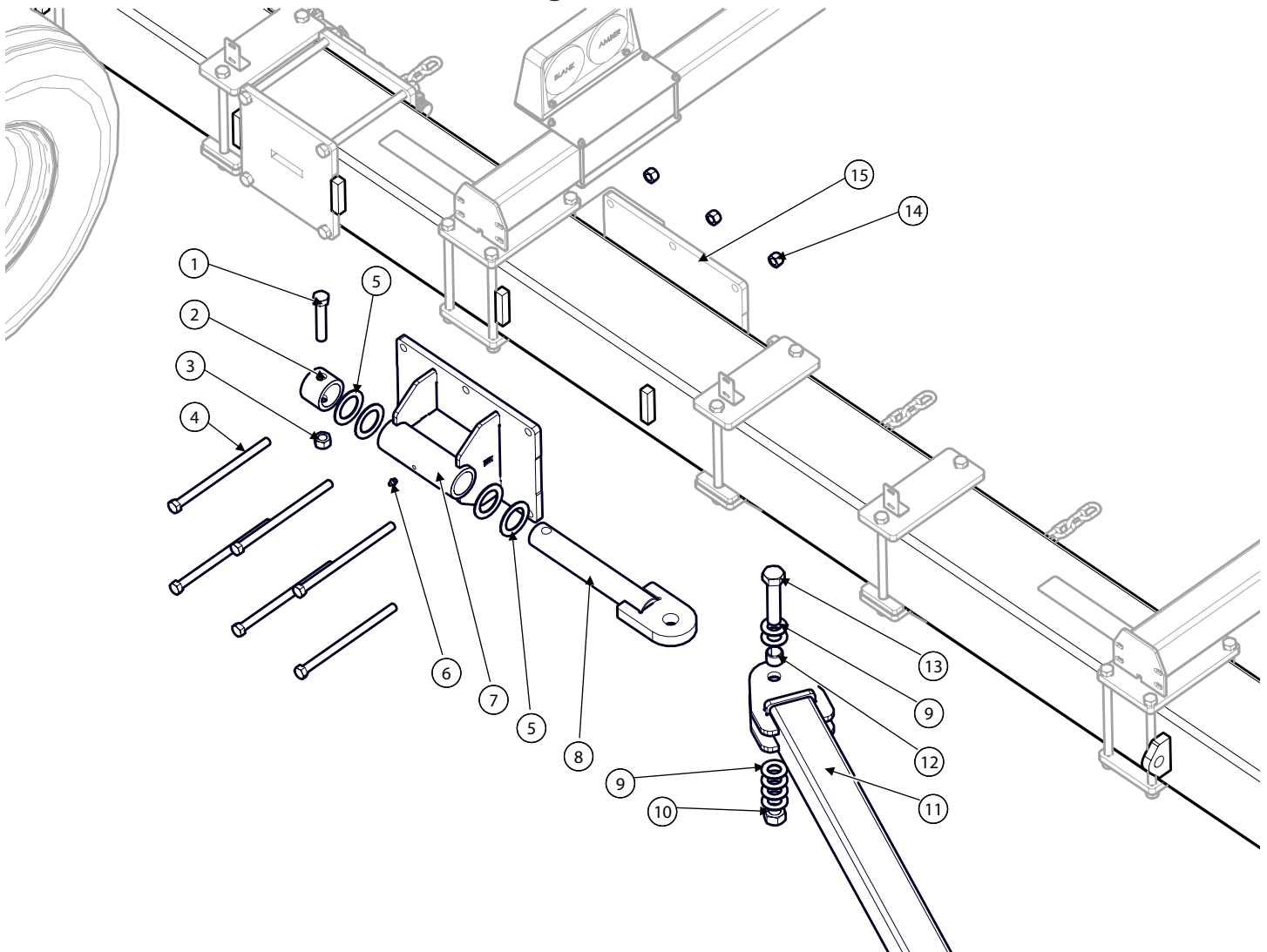
Left Pull Pivot



BOM ID	Part No.	Qty	Description
1	102.016.088	1	BOLT,HX,GR8 1" -8 X 5-1/2"
2	133.016	6	WASHER,L9,HD 1
3	1339142	1	PIN, PULL ARM
4	155663	1	BUSHING, SPLIT TENSION, 1"ID,
5	188.016	1	NUT,HX,STV,GR8 1-8
6	102.010.160	6	BOLT,HX,GR8 5/8-11X10
7	133891	1	ZERK, GREASE, 1/8
8	1339252	1	GUIDE, PULL PIN
9	162.010.032	4	BUSHING, MACH, NR, 10GA, 2 ID
10	188.012	1	NUT,HX,STV,GR8 3/4
11	1339261	1	COLLAR, PULL PIN
12	102.012.064	1	BOLT,HX,GR8 3/4" -10 X 4"
13	188.010	6	NUT,HX,STV,GR8 5/8-11
14	1339191	1	BASE PLATE, CYLINDER MOUNT
15	1339611	1	PULL ARM (72' & 84')
15	1348641	1	PULL ARM (48' & 60')

Model HC1010 16 Bar Harrow & Cart
 For Serial Numbers HC1010-18001 thru HC1010-19999

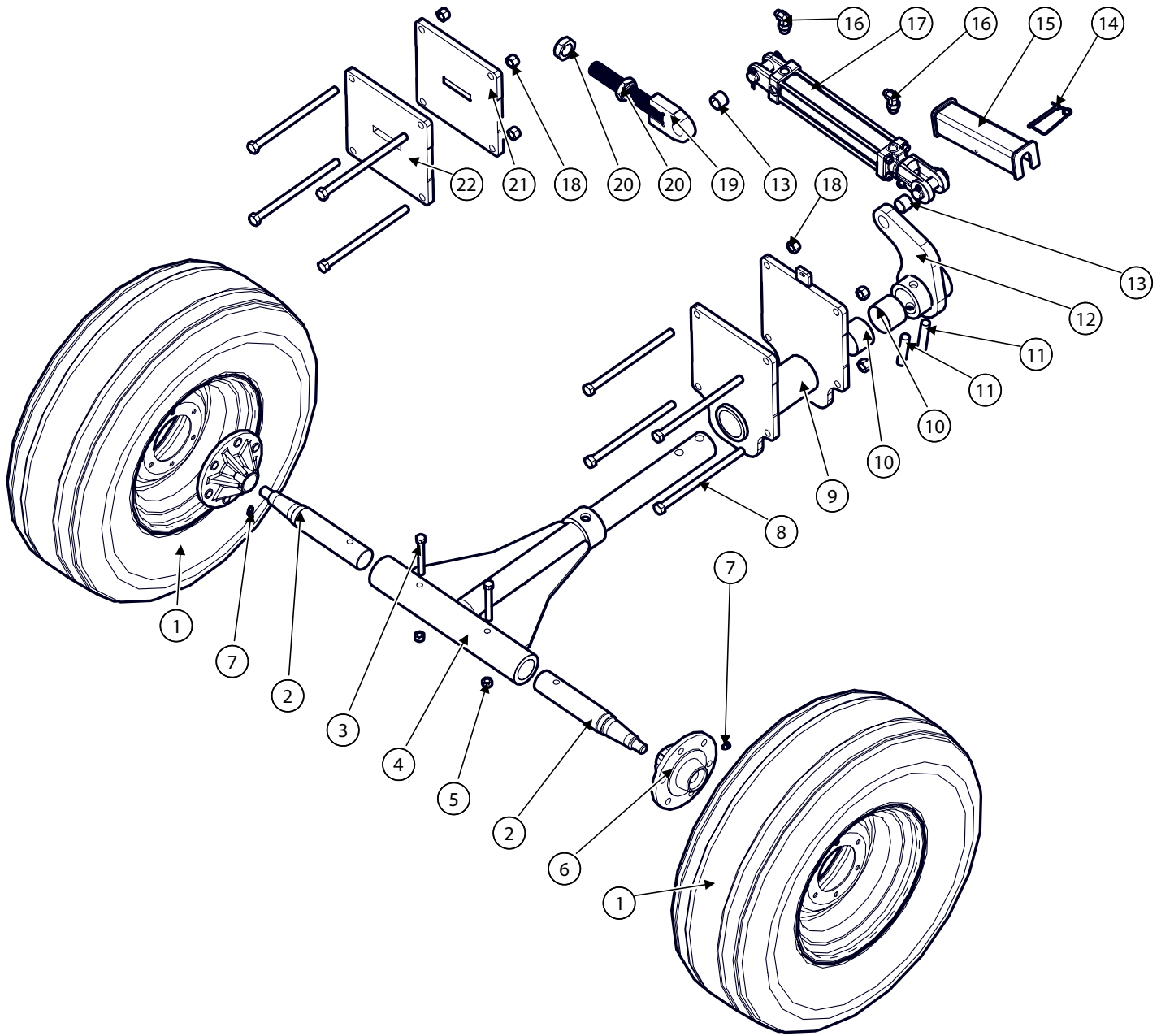
Right Pull Pivot



BOM ID	Part No.	Qty	Description
1	102.012.064	1	BOLT,HX,GR8 3/4" -10 X 4"
2	1339261	1	COLLAR, PULL PIN
3	188.012	1	NUT,HX,STV,GR8 3/4
4	102.010.160	6	BOLT,HX,GR8 5/8" -11 X 10"
5	162.010.032	4	BUSHING, MACH, NR, 10GA, 2 ID
6	133891	1	ZERK, GREASE, 1/8
7	1339252	1	GUIDE, PULL PIN
8	1339142	1	PIN, PULL ARM
9	133.016	6	WASHER,L9,HD 1
10	188.016	1	NUT,HX,STV,GR8 1-8
11	1339611	1	PULL ARM (72' & 84')
11	1348641	1	PULL ARM (48' & 60')
12	155663	1	BUSHING, SPLIT TENSION, 1"ID,
13	102.016.088	1	BOLT,HX,GR8 1" -8 X 5-1/2"
14	188.010	6	NUT,HX,STV,GR5 5/8-11
15	1339191	1	BASE PLATE, CYLINDER MOUNT

Model HC1010 16 Bar Harrow & Cart
For Serial Numbers HC1010-18001 thru HC1010-19999

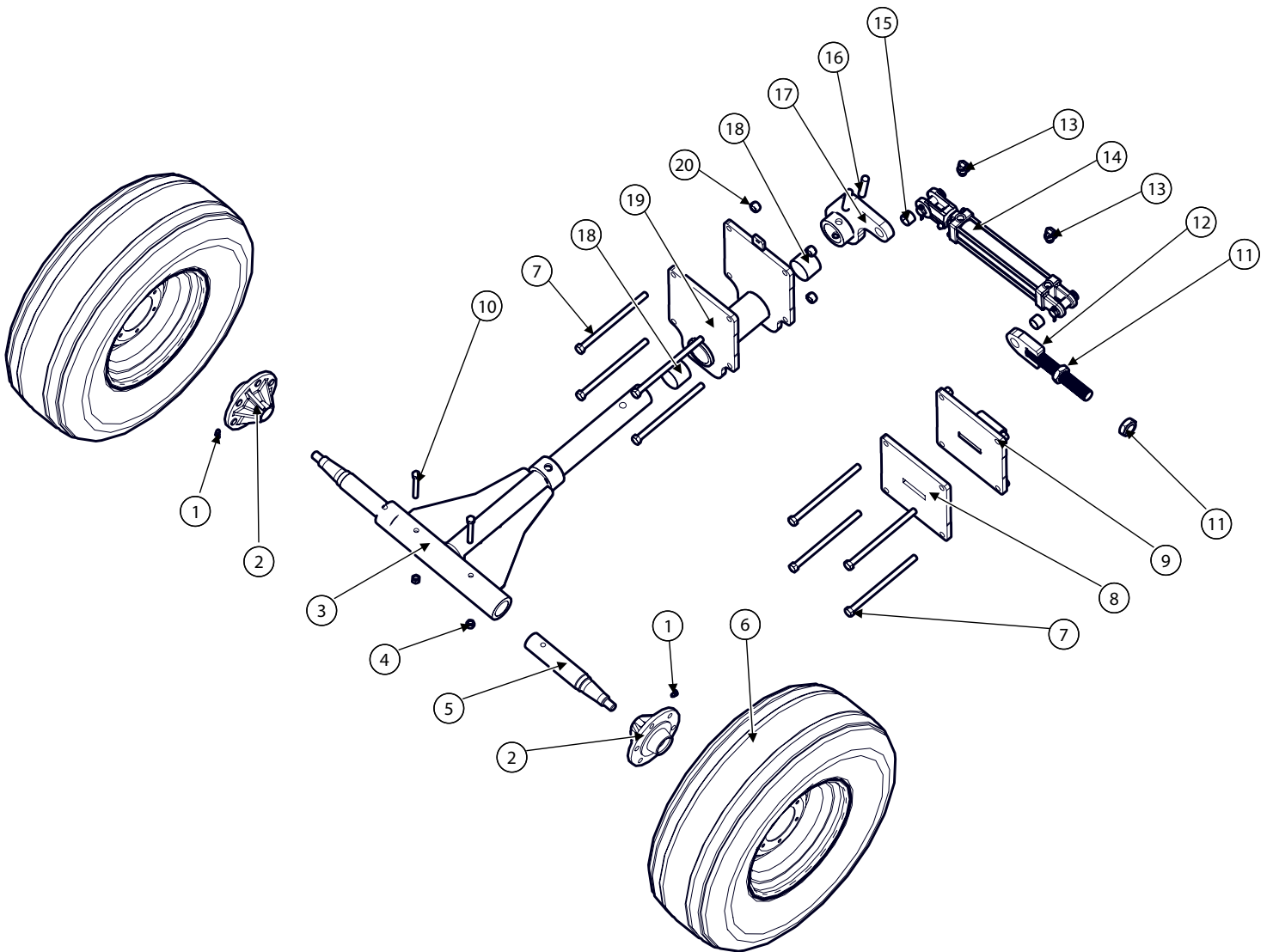
Left Wing Wheel



Model HC1010 16 Bar Harrow & Cart
For Serial Numbers HC1010-18001 thru HC1010-19999

BOM ID	Part No.	Qty	Description
1	155736	2-4	STANDARD 11L-15SL, 12-PLY, I1 W/ 15X8,
1	155657	2-4	OPTIONAL FIRESTONE IF280/70R15, 128A8, AD2 W/ 15X8,
2	1340321	2	SPINDLE
3	102.008	2	BOLT,HX,GR8 1/2" -13 X 4"
4	1339392	1	WING AXLE
5	188.008	2	NUT,HX,STV,GR8 1/2
6	155655	2	HUB, 6 ON 6, 4.62 PILOT, 4570#, 783
*NS	LM501310 (Timken)	4	Inner Cup (Race)
*NS	LM501349 (Timken)	4	Inner Cone (Bearing)
*NS	LM67010 (Timken)	4	Outer Cup (Race)
*NS	LM67048 (Timken)	4	Outer Cone (Bearing)
*NS	18823 (CR/SKF)	4	Seal
7	155816	2	ZERK,GREASE,45°,M6X1.0
8	102.010.160	8	BOLT,HX,GR8 5/8" -11 X 10"
9	1339301	1	AXLE PIVOT
10	155658	2	BUSHING, IGLIDE Q, 2-1/2" SHAFT,
11	239.012.056	2	PIN,SPRING,COILED 3/4 X3-1/2
12	1339381	1	CYLINDER MOUNT, AXLE PIVOT
13	155663	2	BUSHING, SPLIT TENSION, 1"ID,
14	146.004.048	1	PIN,SNAP,LCK
15	1338931	1	SAFETY STOP, WING CYLINDER
16	1003.08.04	2	HYDRAULIC ADAPTER, 90° 1/2 ORB X 1/4 MORFS
17	155660	1	CYLINDER, 2"BORE, 1-1/8"ROD,
18	188.010	8	NUT,HX,STV,GR8 5/8-11
19	1339161	1	BUTT MOUNT, ADJUSTABLE
20	242.020	2	NUT,HX,JAM,NYL,GR2 1-1/4-7
21	1339202	1	MOUNT PLATE, WING CYLINDER
22	1343771	1	BASE PLATE, CYLINDER MOUNT

Right Wing Wheel

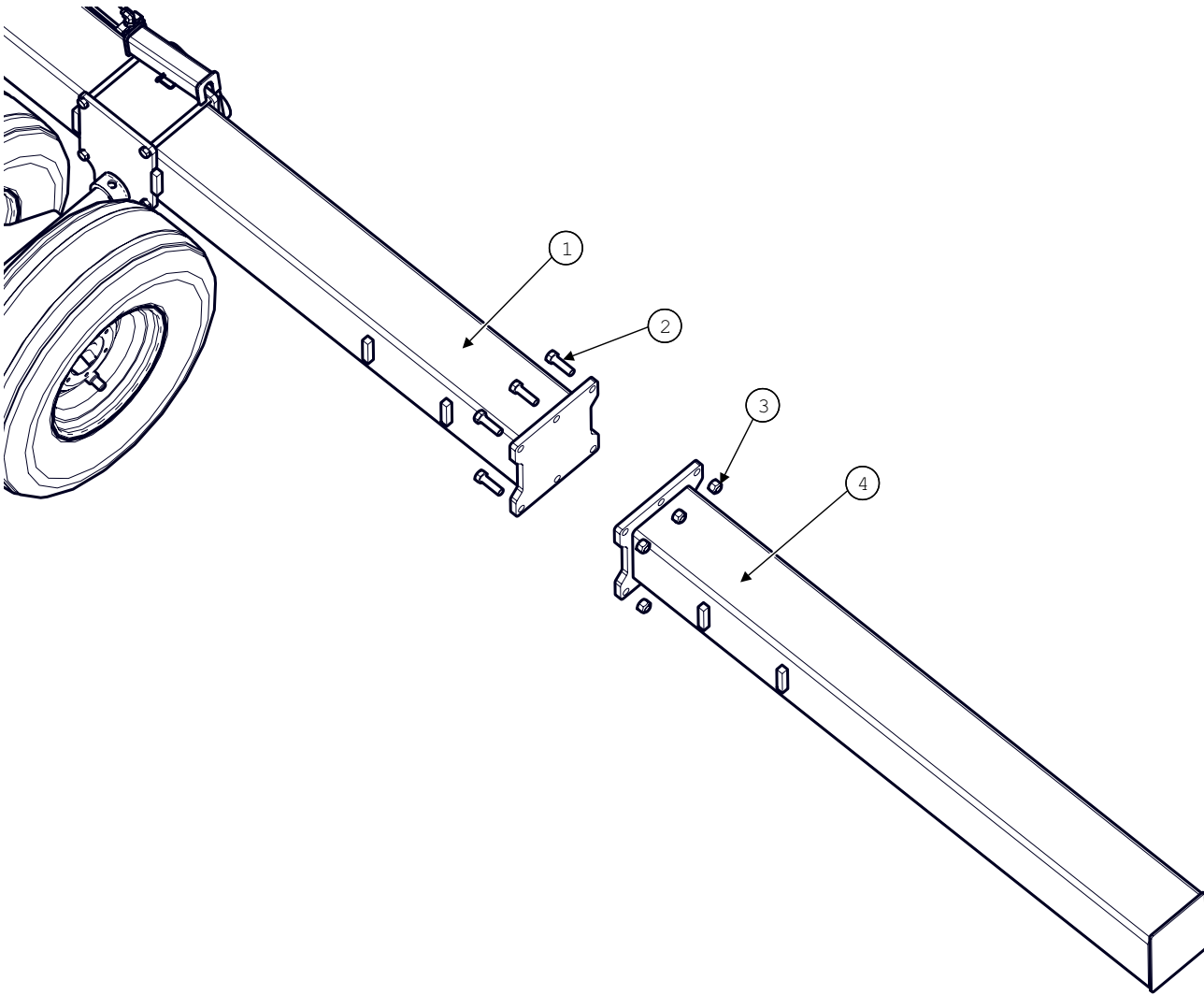


Model HC1010 16 Bar Harrow & Cart
For Serial Numbers HC1010-18001 thru HC1010-19999

BOM ID	Part No.	Qty	Description
1	155816	2	ZERK,GREASE,45°,M6X1.0
2	155655	2	HUB, 6 ON 6, 4.62 PILOT, 4570#, 783
*NS	LM501310 (Timken)	4	Inner Cup (Race)
*NS	LM501349 (Timken)	4	Inner Cone (Bearing)
*NS	LM67010 (Timken)	4	Outer Cup (Race)
*NS	LM67048 (Timken)	4	Outer Cone (Bearing)
*NS	18823 (CR/SKF)	4	Seal
3	1339392	1	WING AXLE
4	188.008	2	NUT,HX,STV,GR8 1/2
5	1340321	2	SPINDLE - 2" DIA,#4570, 783
6	155736	2	STANDARD 11L-15SL, 12-PLY, I1 W/ 15X8,
6	155657	2	OPTIONAL FIRESTONE IF280/70R15, 128A8, AD2 W/ 15X8,
7	102.010.160	8	BOLT,HX,GR8 5/8" -11 X 10"
8	1343771	1	BASE PLATE, CYLINDER MOUNT
9	1339202	1	MOUNT PLATE, WING CYLINDER
10	102.008	2	BOLT,HX,GR8 1/2" -13 X 4"
11	242.020	2	NUT,HX,JAM,NYL,GR2 1-1/4-7
12	1339161	1	BUTT MOUNT, ADJUSTABLE
13	1003.08.04	2	HA,90°
14	155660	1	CYLINDER, 2"BORE, 1-1/8"ROD,
15	155663	2	BUSHING, SPLIT TENSION, 1"ID,
16	239.012.056	2	PIN,SPRING,COILED 3/4" X 3-1/2"
17	1339381	1	CYLINDER MOUNT, AXLE PIVOT
18	155658	2	BUSHING, IGLIDE Q, 2-1/2" SHAFT,
19	1339301	1	AXLE PIVOT
20	188.010	8	NUT,HX,STV,GR5 5/8-11

Model HC1010 16 Bar Harrow & Cart
 For Serial Numbers HC1010-18001 thru HC1010-19999

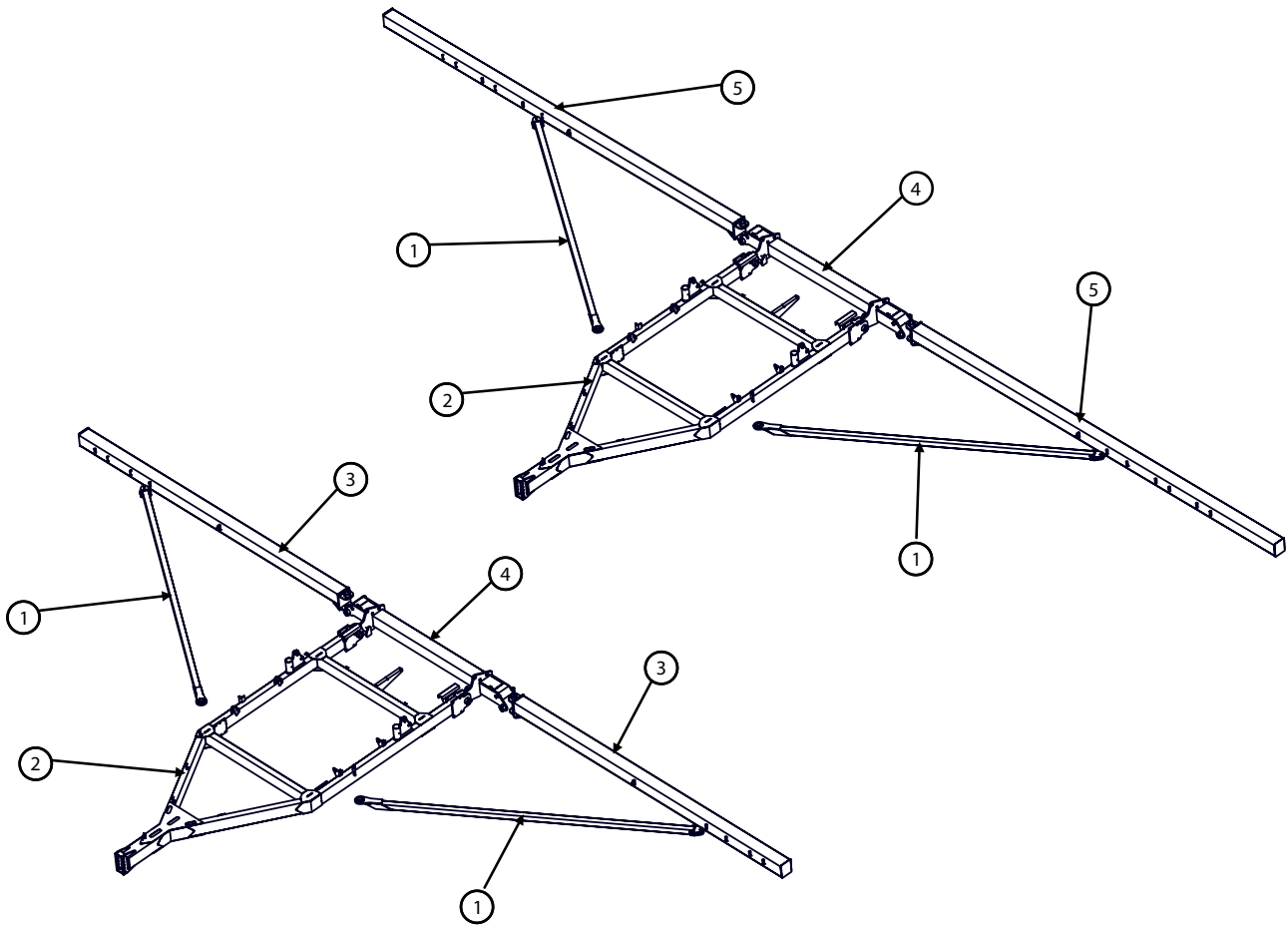
6' Wing Extension



BOM ID	Part No.	Qty	Description
1	1339522	1	WING TUBE 72 & 84' (SN 18001-19004)
1	1353331	1	WING TUBE 72 & 84' (SN 19005-)
2	102.012.040	6	BOLT,HX,GR8 3/4-10X2-1/2
3	188.012	6	NUT,HX,STV,GR8 3/4
4	1338532	1	EXTENSION, 6 FOOT

Model HC1010 16 Bar Harrow & Cart
 For Serial Numbers HC1010-18001 thru HC1010-19999

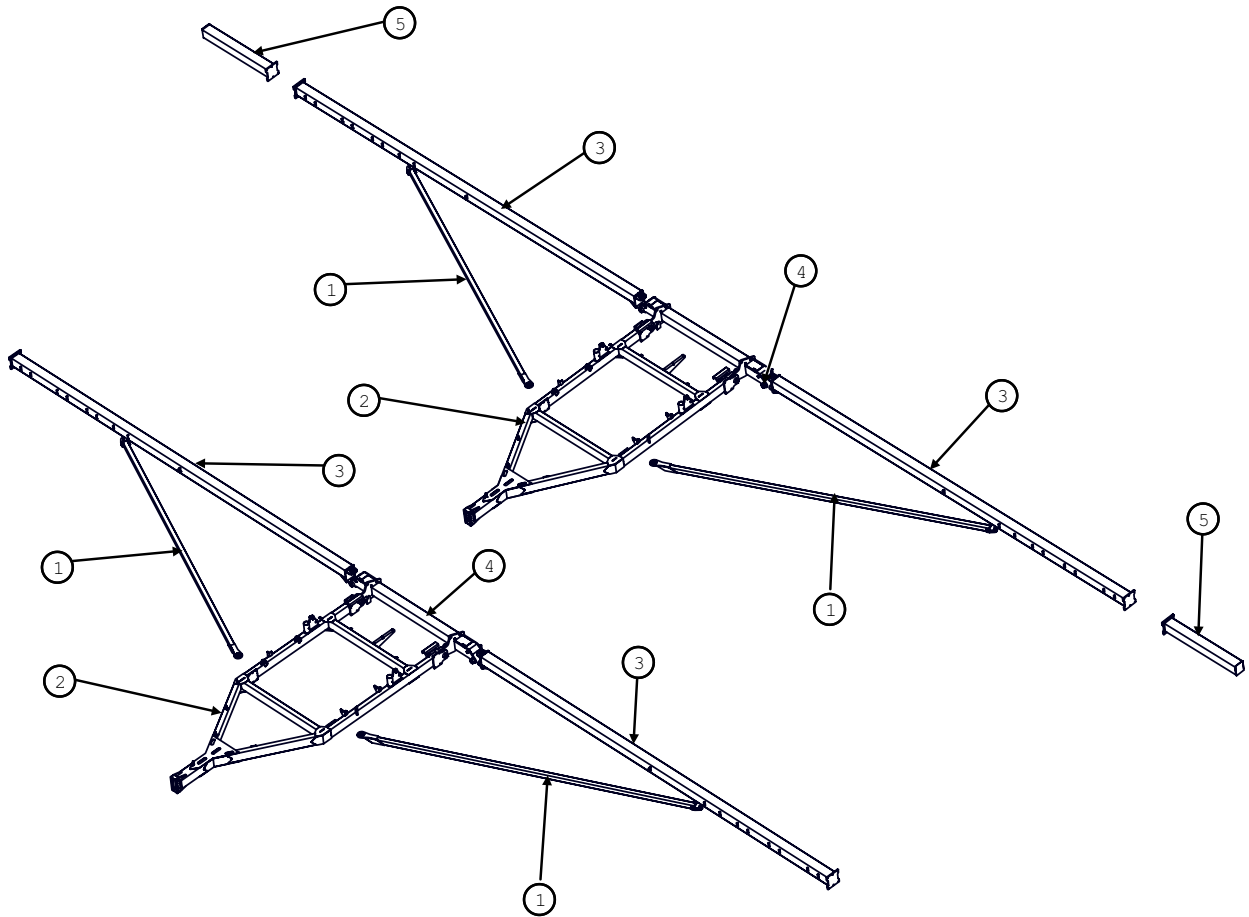
48 & 60' Frame, Wings and Pulls



BOM ID	Part No.	Qty	Description
1	1348641	2	PULL ARM
2	1348611	1	CART FRAME, 48', 60'
3	1349301	2	WING TUBE 48' (SN 18001-19004)
3	1353311	2	WING TUBE 48' (SN 19005-)
4	1348621	1	CENTER BEAM, 48', 60'
5	1348631	2	WING TUBE 60' (SN 18001-19004)
5	1353321	2	WING TUBE, 60', HD (SN 19005-)

Model HC1010 16 Bar Harrow & Cart
 For Serial Numbers HC1010-18001 thru HC1010-19999

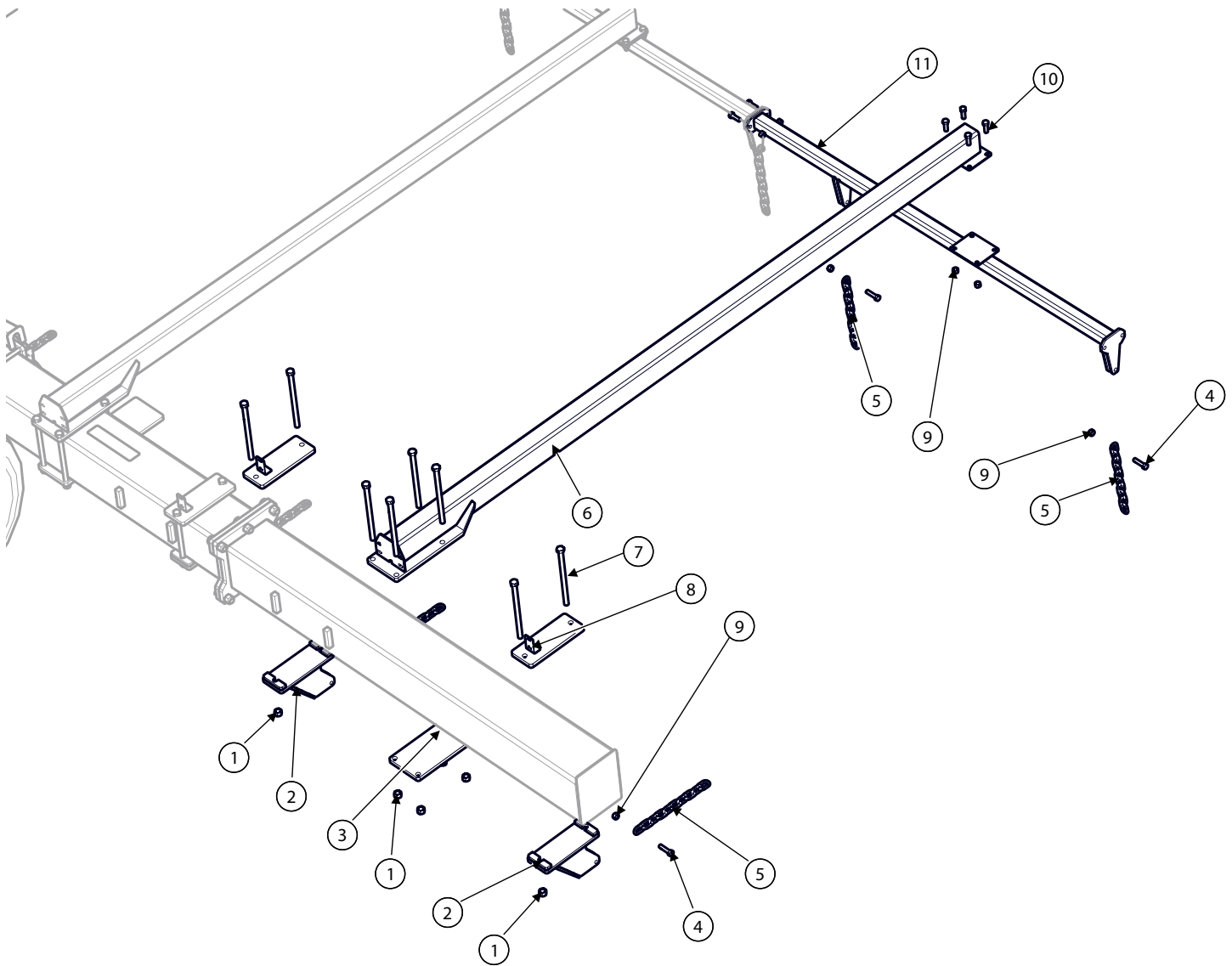
72' & 84' Frame, Wings and Pulls



BOM ID	Part No.	Qty	Description
1	1339611	2	PULL ARM
2	1338892	1	CART FRAME
3	1339522	2	WING TUBE, 72 FEET, (SN 18001-19004)
3	1353331	2	WING TUBE, 72 FEET, HD (SN 19005-)
4	1339022	1	CENTER BEAM
5	1338532	2	EXTENSION, 6 FOOT

Model HC1010 16 Bar Harrow & Cart
 For Serial Numbers HC1010-18001 thru HC1010-19999

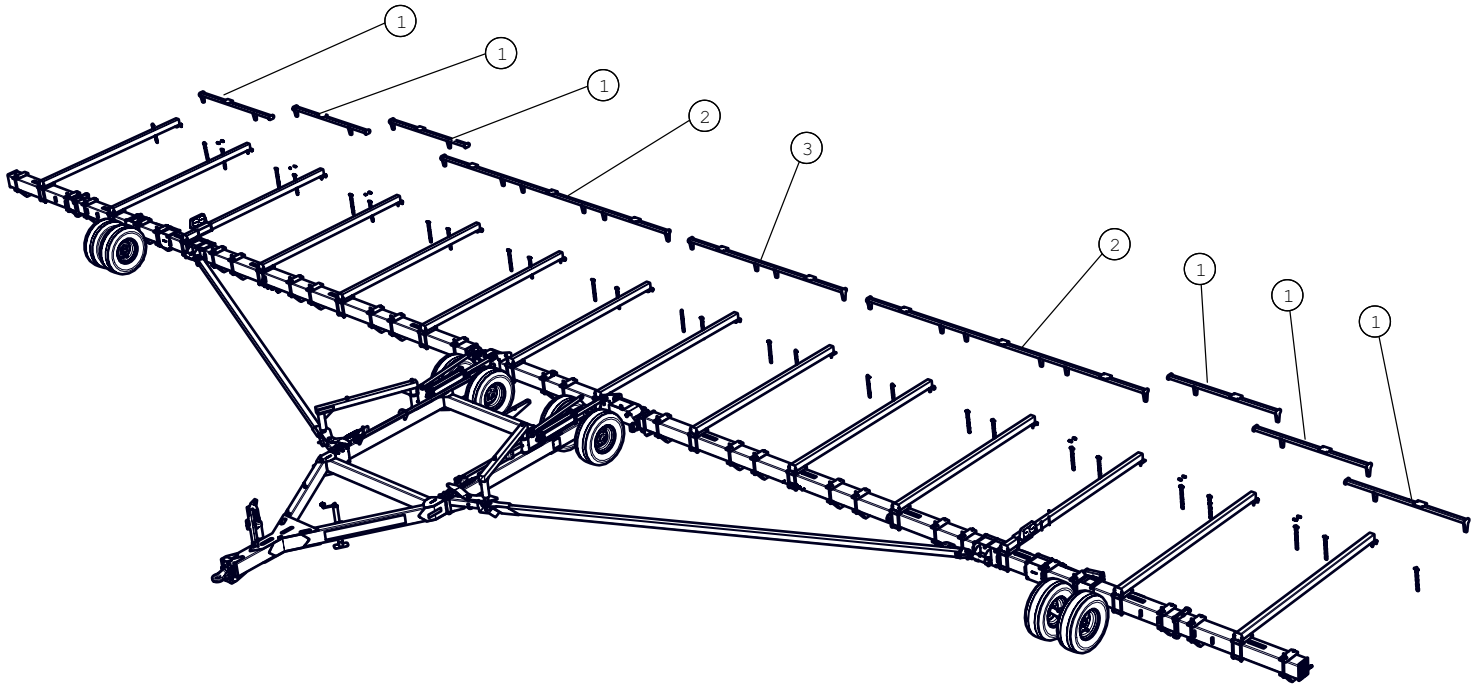
Harrow Hangers & Pulls



BOM ID	Part No.	Qty	Description
1	188.010	8	NUT,HX,STV,GR8 5/8
2	1338511	3	HARROW PULL
3	1338372	1	MOUNT PLATE,
4	102.008.032	4	BOLT,HX,GR8 1/2" -13 X 2"
5	1340601	4	LIFT CHAIN, 10-LINK
6	1338404	1	LIFT ARM
7	102.010.160	8	BOLT,HX,GR8 5/8" -11 X 10"
8	1339041	3	CLAMP PLATE,
9	188.008	10	NUT,HX,STV,GR8 1/2
10	102.008.024	6	BOLT,HX,GR8 1/2" -13 X 1-1/2"
11	1339732	1	LIFT TUBE, EXTENSION

Model HC1010 16 Bar Harrow & Cart
 For Serial Numbers HC1010-18001 thru HC1010-19999

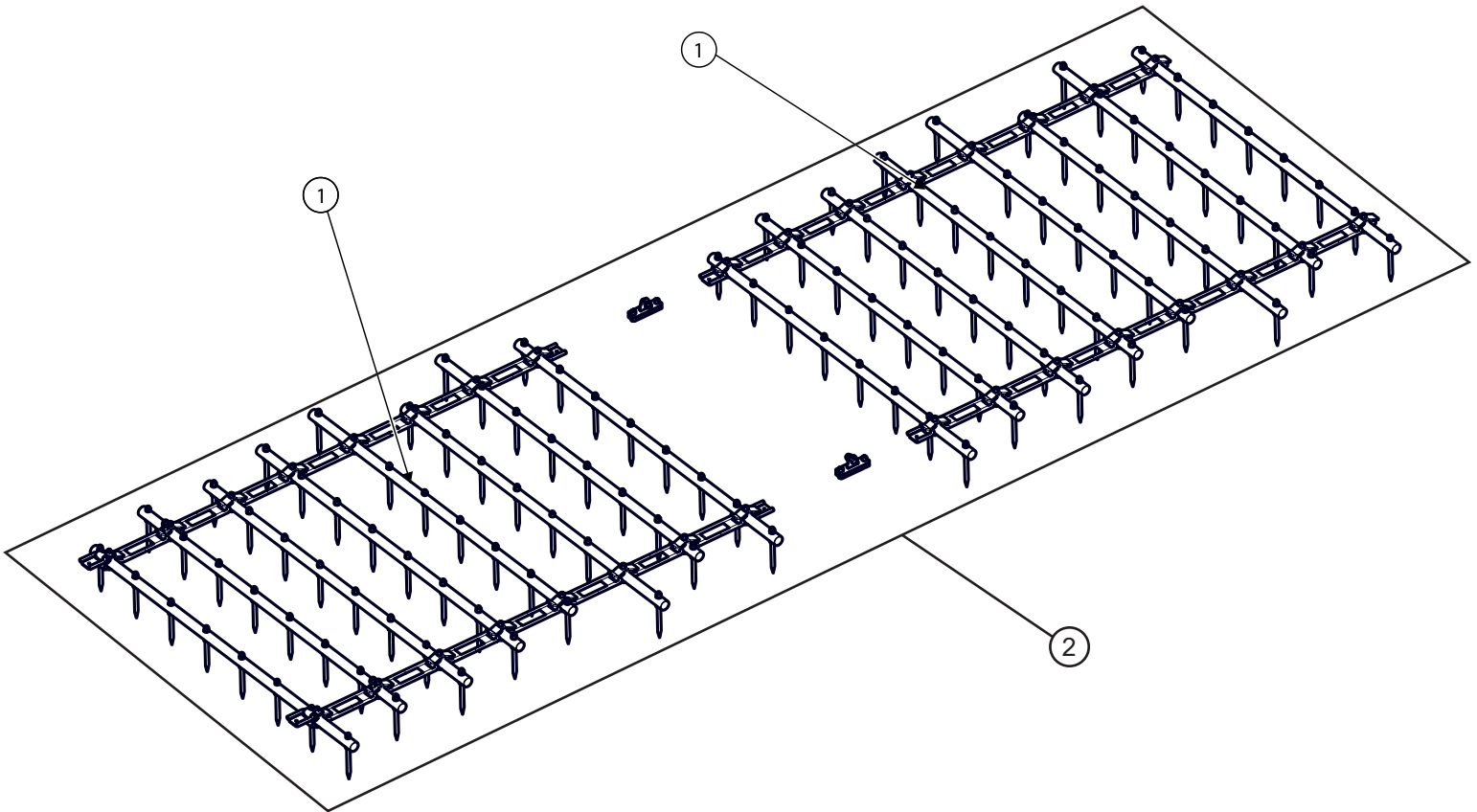
Lift Tubes



BOM ID	Part No.	Qty	Description
1	1339732	6	LIFT TUBE, EXTENSION
2	1343961	2	LIFT TUBE, INNER WING
3	1339712	1	LIFT TUBE, CENTER

Model HC1010 16 Bar Harrow & Cart
 For Serial Numbers HC1010-18001 thru HC1010-19999

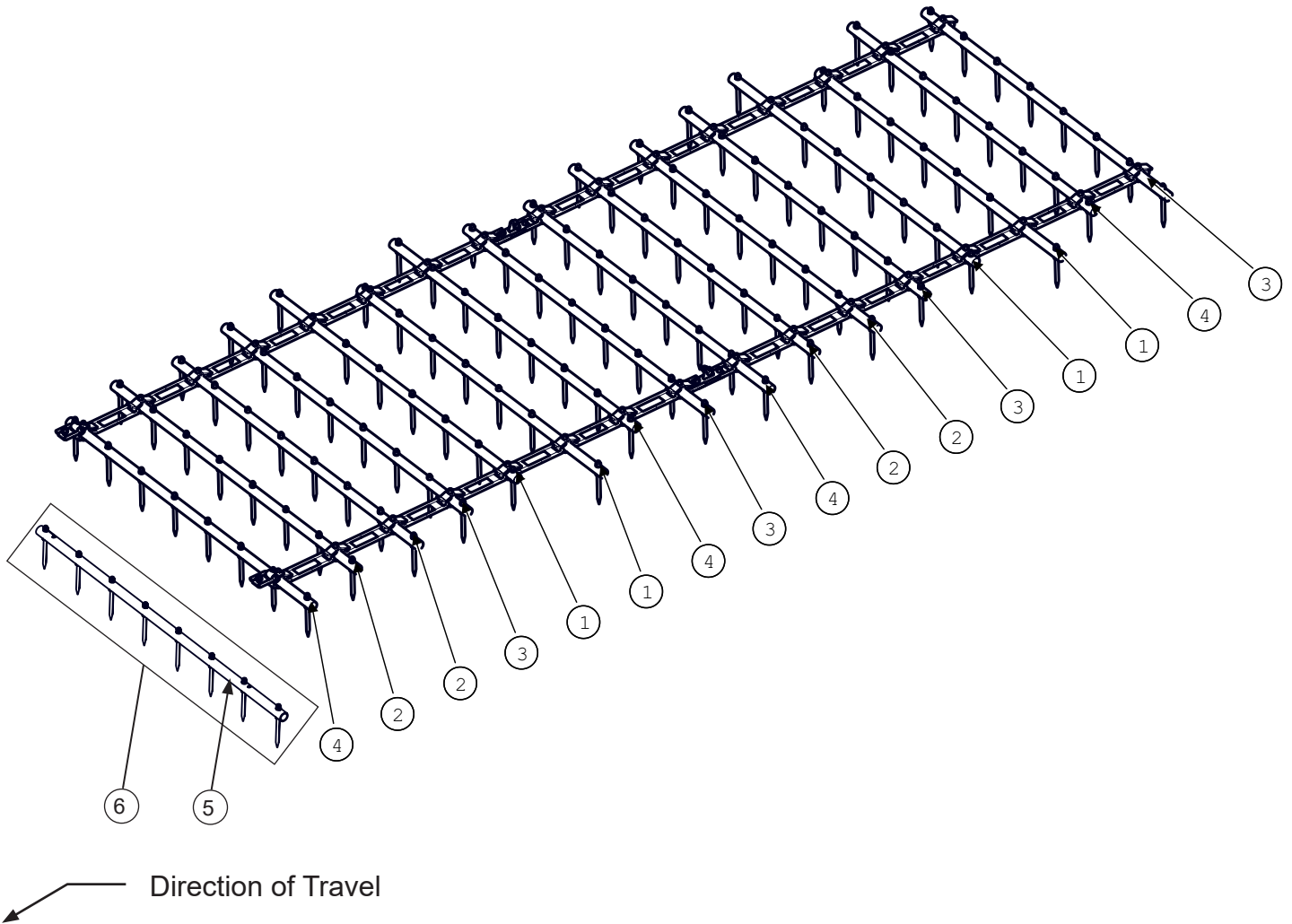
Harrow Sections



Direction of Travel

BOM ID	Part No.	Qty	Description
1	1347011	1	8-BAR
2	1352351	1	16-BAR WITH MIDDLE HANGER SUPPORT

Harrow Bars

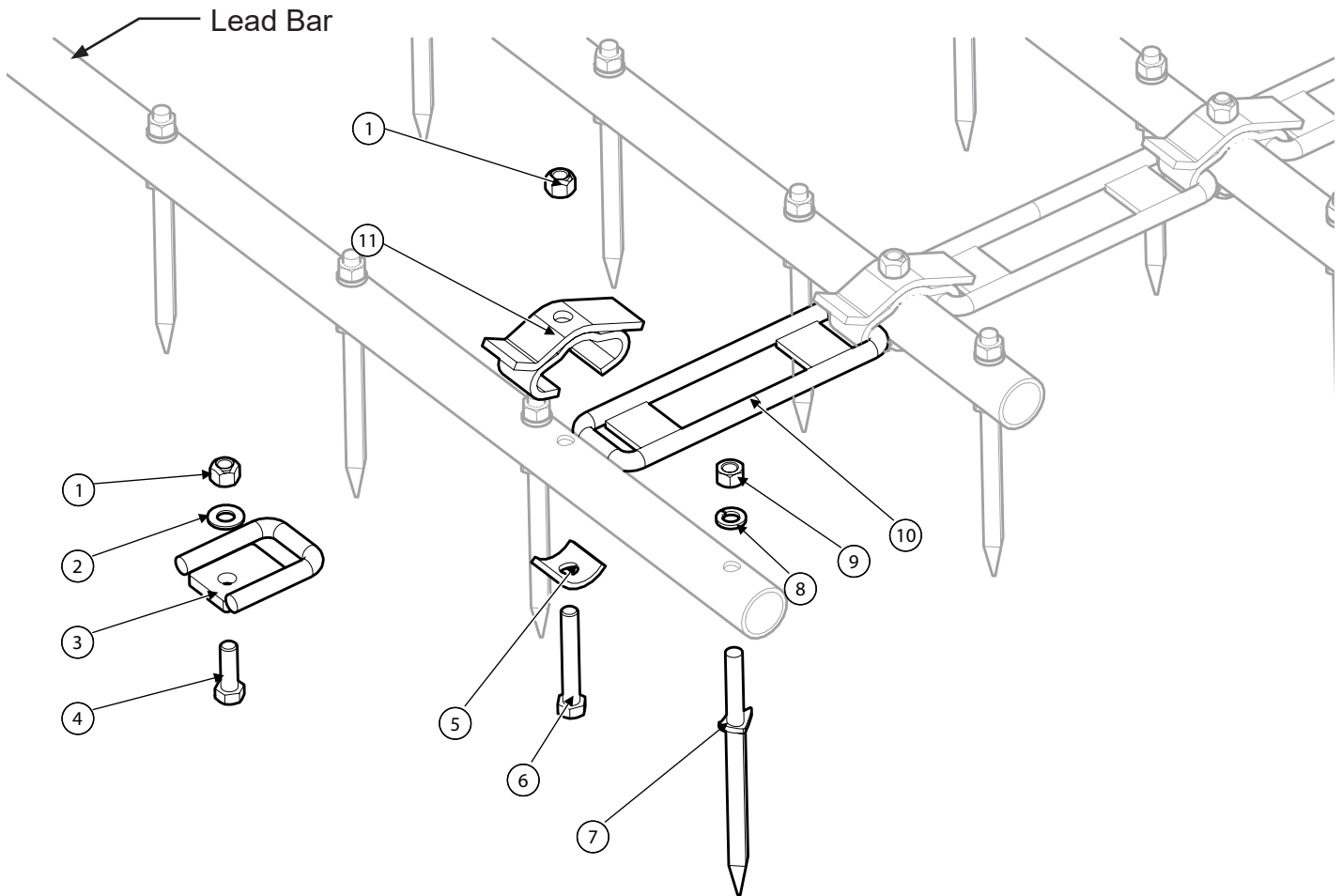


BOM ID	Part No.	Qty	Description
1	155720	4	PIPE, 6 FOOT, #1
2	155721	4	PIPE, 6 FOOT, #2
3	155722	4	PIPE, 6 FOOT, #3
4	155723	4	PIPE, 6 FOOT, #4
5	1347491	1	OPTIONAL - HEAVY DUTY LEAD BAR
6	1355991	1	OPTIONAL - HEAVY DUTY LEAD BAR WITH SPIKES, WASHERS AND NUTS

**Note - Pipe direction is flipped to change spike offset*

Model HC1010 16 Bar Harrow & Cart
 For Serial Numbers HC1010-18001 thru HC1010-19999

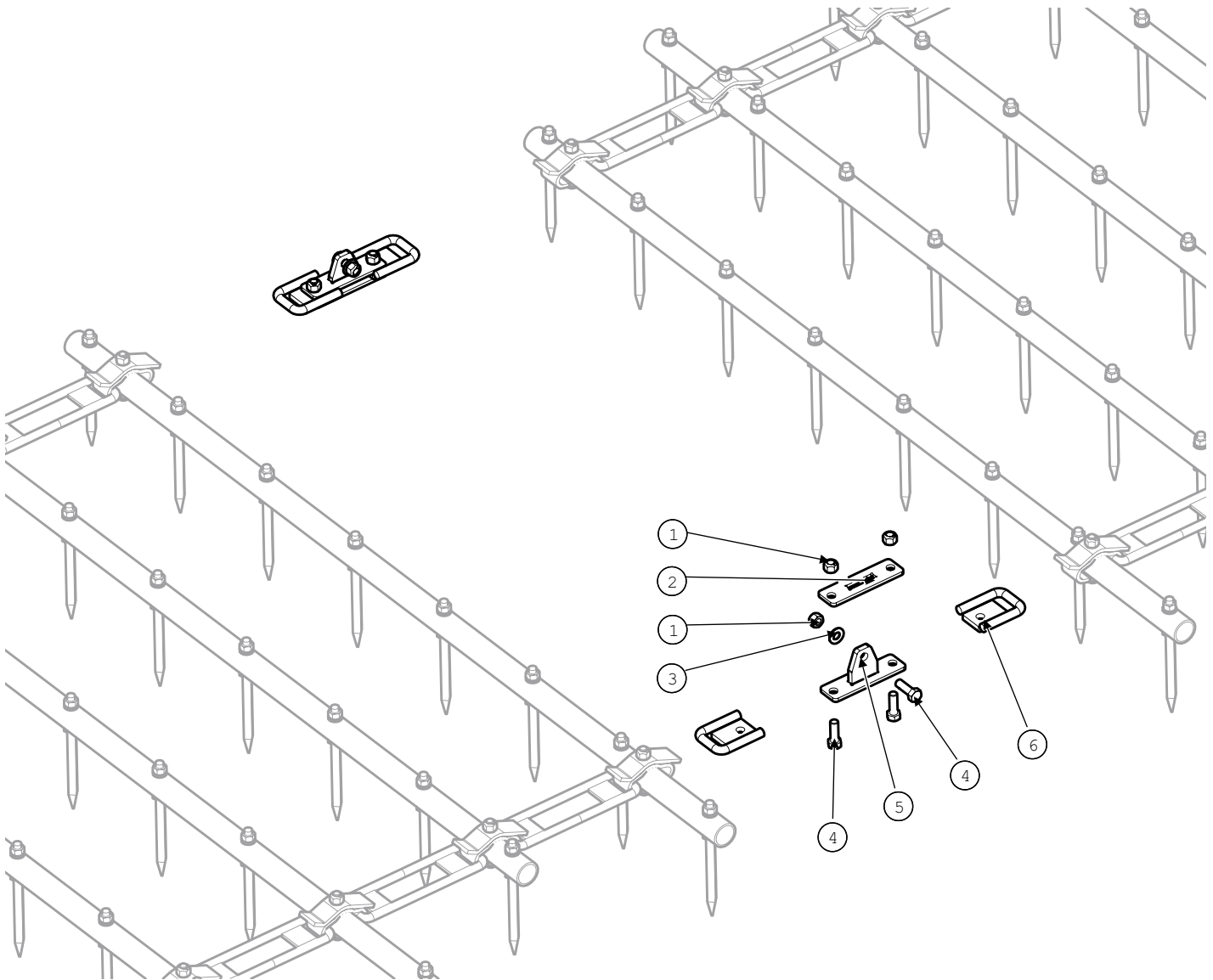
Connecting Links and Spikes



**Note - Quantities are for one 16 bar 6' section*

BOM ID	Part No.	Qty	Description
1	188.008	32	NUT,HX,STV,GR8 1/2
2	133.008	4	WASHER,L9,HD
3	155719	8	1/2 LINK
4	102.008.024	8	BOLT,HX,GR8 1/2" -13 X 1-1/2"
5	155716	32	BOTTOM PLATE
6	101.008.048	32	BOLT,HX,GR5 1/2" -13 X 3"
7	155724	124	TOOTH, SHORT SHANK
8	136.008	124	WASHER,LCK,MED-SPLIT 1/2
9	103.008	124	NUT,HX,GR5 1/2-13
10	155718	28	LINK
11	155996	32	BAR CLAMP

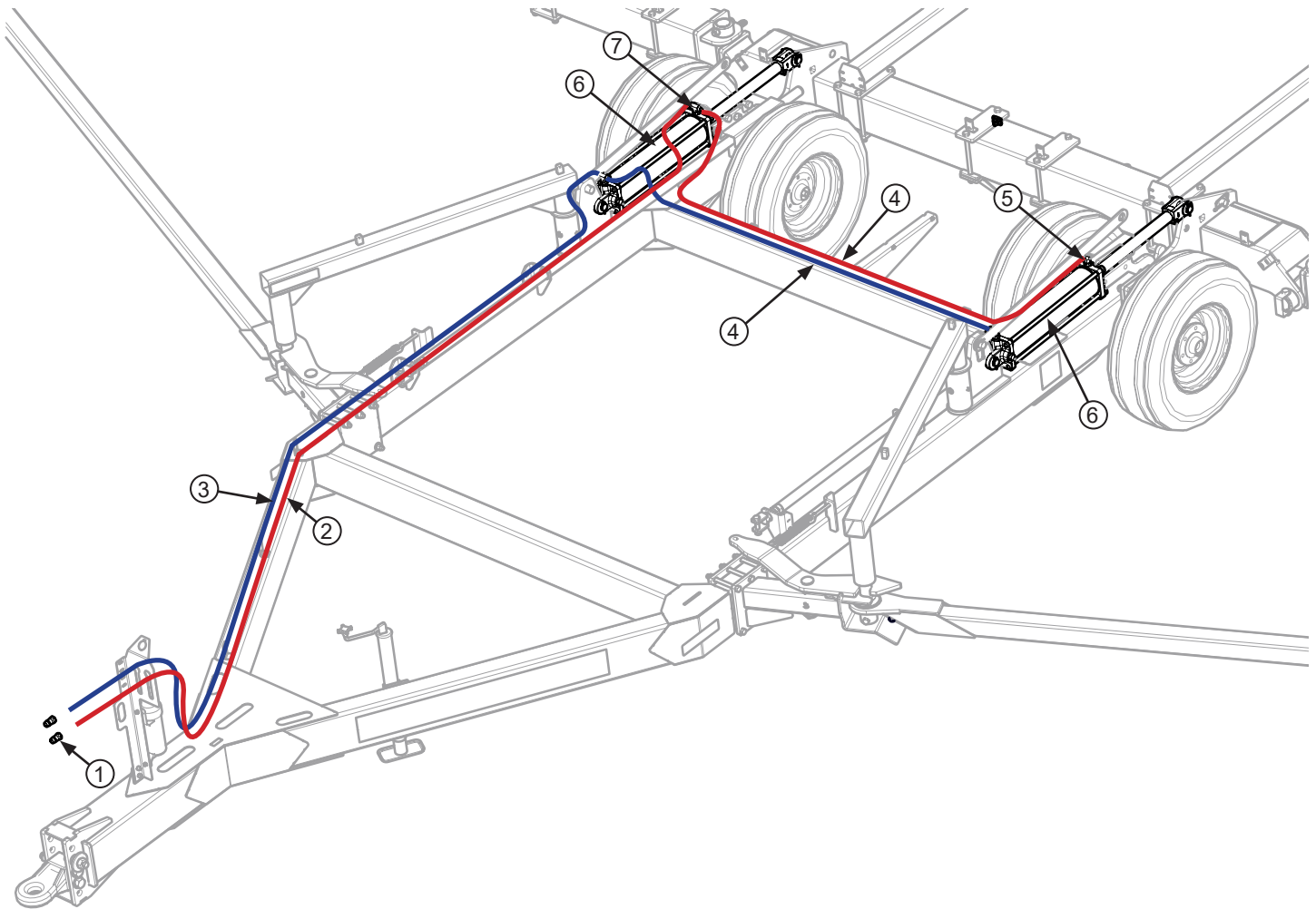
Harrow Hanger Connectors



BOM ID	Part No.	Qty	Description
1	188.008	6	NUT,HX,STV,GR8 1/2
2	1340471	2	CONNECTING STRAP
3	133.008	2	WASHER,L9,HD
4	102.008.024	6	BOLT,HX,GR8 1/2" -13 X 1-1/2"
5	1340511	2	BOTTOM STRAP
6	155719	4	1/2 LINK

Model HC1010 16 Bar Harrow & Cart
 For Serial Numbers HC1010-18001 thru HC1010-19999

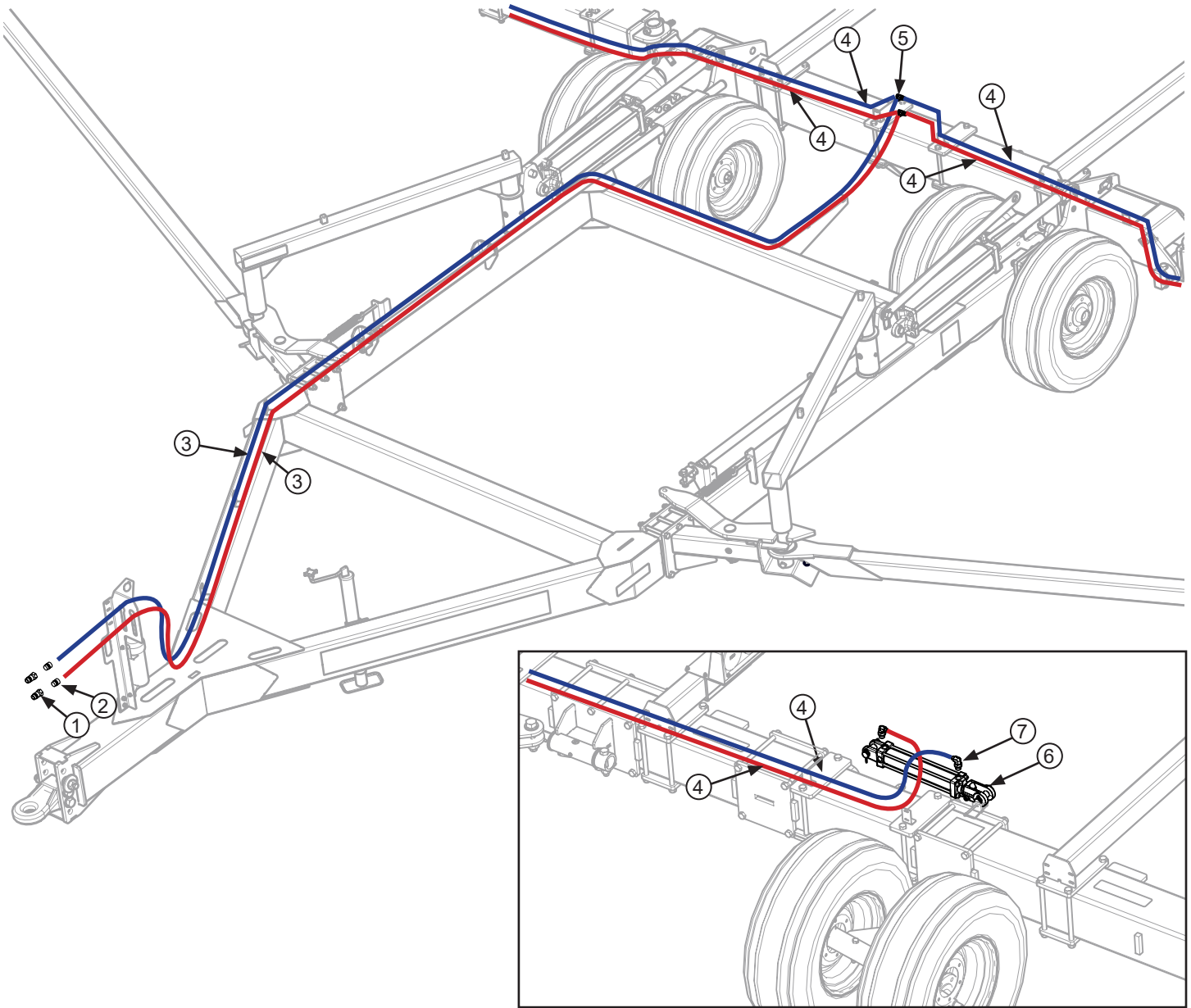
Hydraulics - Wing Up



BOM ID	Part No.	Qty	Description
1	HC-150211	2	CONNECTE, PIONEER MALE QUICK,
2	1346021	1	100R17AR-08X255";
3	1346011	1	100R17AR-08X230";
4	1346001	2	100R17AR-08X110";
5	1003.10.08	2	HA,90° -10MORB X -8MORFS
6	155659	2	CYLINDER, 5"BORE, 2"ROD,
7	1009.10	2	HA,TEE,STR,THD,BRA -10ORFS

Note: Cylinders come with pins and cotter pins

Hydraulics - Pivoting Wing Wheels

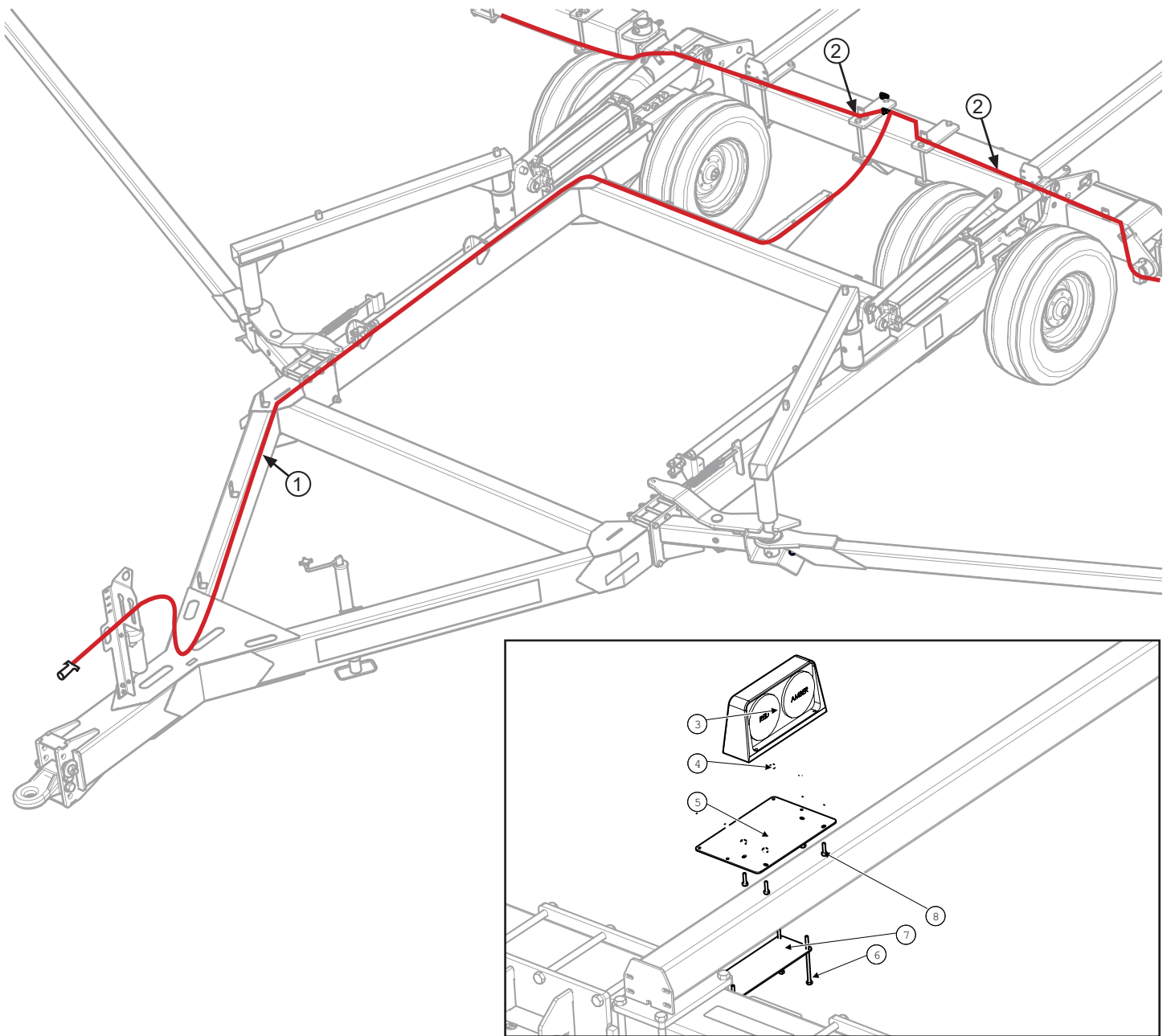


BOM ID	Part No.	Qty	Description
1	HC-150211	2	CONNECTE, PIONEER MALE QUICK,
2	1043.03.08	2	HA,STR -6FORB X -8MORB
3	1345991	2	100R17AR-04X331";
4	1351731	4	100R17AR-04X293"; 48'
4	1349821	4	100R17AR-04X312"; 60'
4	1347191	4	100R17AR-04X384"; 72' & 84'
5	1018.04	2	UNION -4ORFS
6	155660	2	CYLINDER, 2"BORE, 1-1/8"ROD,
7	1003.08.04	4	90° -8MORB X -4MORFS

Note: Cylinders come with pins and cotter pins

Model HC1010 16 Bar Harrow & Cart
 For Serial Numbers HC1010-18001 thru HC1010-19999

Electrical



BOM ID	Part No.	Qty	Description
1	1347311	1	Primary Electrical Harness
2	1347321	2	Wing Electrical Harness
3	155809	1	AG LIGHT, RH DUAL LED, 3-WIRE LEAD
NS	1347331	1	LEFT LIGHT AND HARNESS ASSEMBLY
NS	155808	1	AG RIGHT, RH DUAL LED, 3-WIRE LEAD
NS	1347401	1	RIGHT LIGHT AND HARNESS ASSEMBLY
4	188.004	8	NUT,HX,STV,GR8 1/4
5	1346911	1	MOUNT PLATE, FLASHING LIGHT
6	101.004.076	4	BOLT,HX,GR5 1/4" -20 X 4-3/4"
7	1346921	1	CLAMP PLATE, FLASHING LIGHT
8	101.004.016	4	BOLT,HX,GR5 1/4" -20 X 1"

Model HC1010 16 Bar Harrow & Cart
 For Serial Numbers HC1010-18001 thru HC1010-19999

155678

! WARNING

IMPLEMENT CONTROL HAZARD

1. Do not tow at speeds over 20 mph.
2. The towing vehicle must weigh at least 2/3 the weight of this implement. Refer to Operator's Manual for more information.

FAILURE TO FOLLOW THESE INSTRUCTIONS COULD RESULT IN SERIOUS INJURY OR DEATH

155678

155678



155681

! WARNING

SAFETY STOP ON LIFT CYLINDERS

1. USE SAFETY STOPS ON LIFT CYLINDERS (A) WHEN IN TRANSPORT MODE.
2. STORE SAFETY STOPS ON SWING ARMS (B) WHEN IN FIELD MODE.

FAILURE TO FOLLOW THESE INSTRUCTIONS COULD RESULT IN SERIOUS INJURY OR DEATH

155681

1347441



1347431



1347451



155682

! WARNING

SAFETY STOP ON WING CYLINDERS

1. USE SAFETY STOPS ON WING CYLINDERS (A) WHEN IN TRANSPORT MODE.
2. STORE SAFETY STOPS ON WHEEL PIVOT MOUNT (B) WHEN IN FIELD MODE.

FAILURE TO FOLLOW THESE INSTRUCTIONS COULD RESULT IN SERIOUS INJURY OR DEATH

155682

133731



133741



