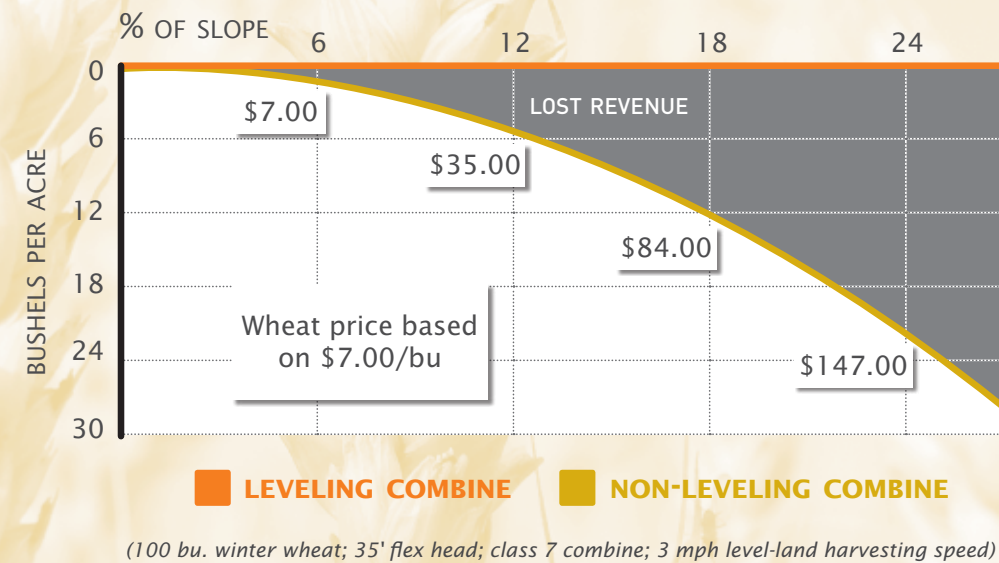


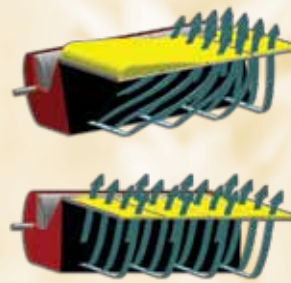
HARVEST IS PAYOFF TIME.

You've done your best to reduce your input costs and maximize your yield potential throughout the growing season. Now is not the time to start cutting corners by harvesting your hills with a non-leveling combine! Hillco's Leveling Systems eliminate hillside related grain loss and increase your harvesting speeds. At the end of the day, that means more grain in the tank and more acres behind you.

BUSHEL PER ACRE LOST FOR WHEAT WITH A NON-LEVELING COMBINE ON VARYING SLOPES (harvesting at full level-land harvesting speed)



As a non-leveling combine moves onto a hillside, threshed material moves to the low side of the cleaning shoe, allowing valuable cleaning air to escape without lifting and separating the crop. The result is hillside grain loss.



With a Hillco Leveling System installed on your combine, the material is evenly distributed on the shoe, allowing for maximum separation and cleaning capacity.

At Hillco, we understand that no two farms are alike. Visit us at www.hillcotechnologies.com and try our Return on Investment Calculator. This tool allows you to enter your farm's crop information and discover the benefits of adding a Hillco Leveling System to your combine.

The Hillco/CNH Category IV Warranty Agreement ensures that all original combine warranties remain in full effect after installation of a Hillco Leveling System.

DISCLAIMER: The information contained regarding crop loss as a function of slope and speed was obtained as a result of extensive testing conducted at the request of Hillco Technologies, Inc. and every effort was made during testing to create "average" harvesting conditions and yields. However, since there are countless number of variables that impact sidehill harvesting performances, your performance may vary from our test results. Hillco Technologies, Inc. expressly disclaims any warranty that if you purchase a Hillco Leveling System, you will achieve the sidehill leveling performance indicated by our test results.

Dear Customer,

Fifty years ago my dad was a young farmer with a knack for looking at a challenge on the farm and coming up with an equipment solution to solve the problem. Throw in three decades, the help of his daughter and two sons, and more than our share of business bumps and bruises along the way, and Hillco built its first combine leveling system in 1993. Add twenty more years, a little luck, careful listening, and a lot of hard work and here we are today, proud to be known as Hillco Technologies, Inc., the leading manufacturer of combine leveling systems in North America.

We like to think we built this business the right way, listening to you, our customer, and delivering products that have real value to your farming operation. Though we don't promise to build a perfect product, we do promise to build you a product to the best of our abilities and to back it with the kind of product support that shows you we care about your business.

Our employees largely grew up in the farming and logging communities of the Pacific Northwest and we are as at home behind the wheel of combines and tractors as we are behind our computers and machinery. We understand the industry and we understand you need reliable, cost effective equipment that can make your farming operation more productive and profitable.

I promise you that we'll never forget where we came from and will continue to earn your business by delivering innovative products of high quality and value backed with first class support. On behalf of my company, my employees, and my family, I'd like to thank you for investing in Hillco products.

Sincerely,

Lenny Hill, President
Hillco Technologies, Inc.



COMBINE LEVELING SYSTEMS

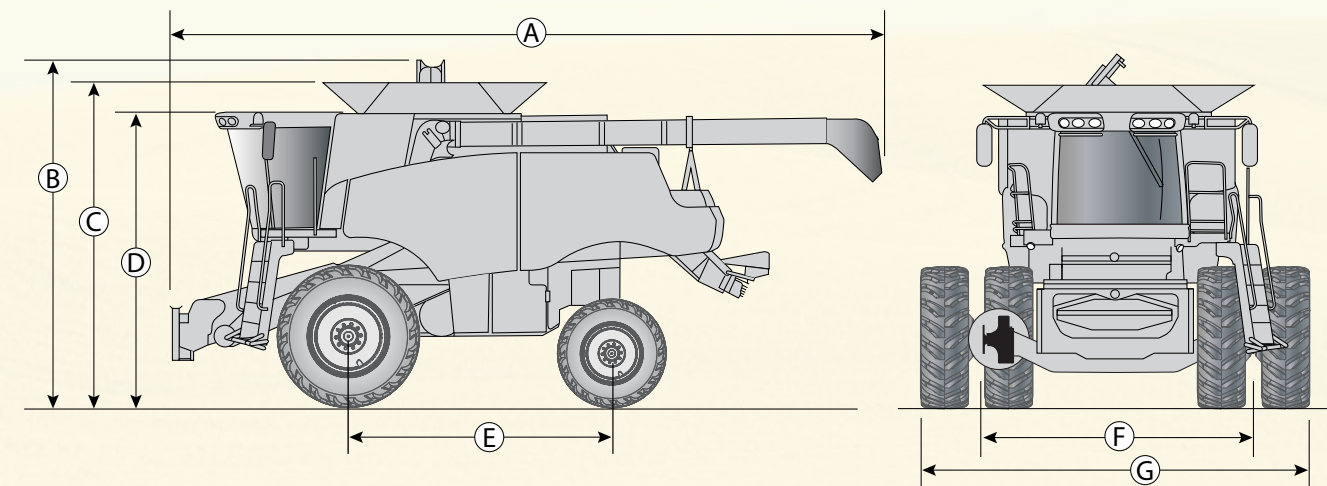


208.937.2461 Toll-free: 800.937.2461 www.hillcotechnologies.com
info@hillcotechnologies.com
 1010 1st Avenue, Nezperce, Idaho 83543-5062

HILCO LEVELING SYSTEMS.

How do we improve on a leveling system that has already set the industry standard? We continue to push the boundaries; designing and building equipment that meets the rigorous demands of today's farmer. Hillco is proud to introduce the "Next Generation" of leveling systems specifically designed for the Case IH 30 Series combines. Built to handle the increased weight and grain tank capacity of the new, larger combines. Our latest Hillco Leveling Systems deliver superior performance and unparalleled results in some of the steepest terrain harvested in the world.

So how do we improve on an industry standard? We set an entirely new one.



HILCO LEVELING SYSTEM FEATURES



LEVELING SYSTEM CONTROLS—

The leveling system controls are conveniently located above the Pro 700 monitor. Select Automatic mode and the leveling system corrects for slope changes without any operator input. Switch to Manual mode and the Automatic leveling function is disabled, allowing the operator to have full control of the combine's chassis position.



MONITOR—An in-cab monitor is used to display warnings and to provide electrical diagnostic information.



REAR DROP AXLE—The drop axle lifts the rear of the combine to match the height increase of the overcarriage/undercarriage. This levels the combine fore/aft and accommodates both powered and non-powered rear axles.



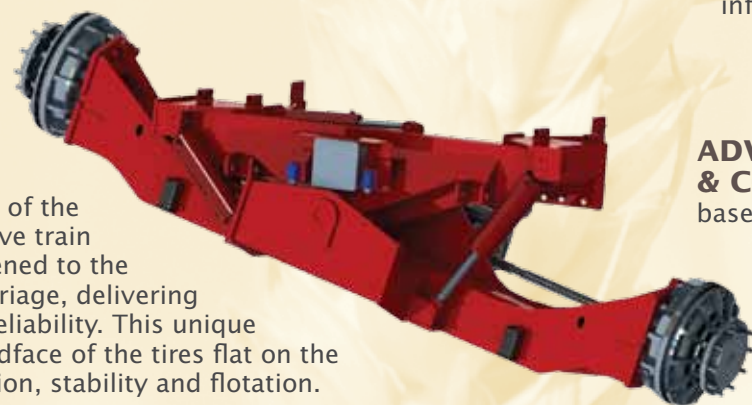
CROP FEEDING SYSTEMS—The CS7010 Sidehill header transition extends the feeder chain and provides feeding in all crops and conditions.



The CH7010 and CH9010 utilize a low maintenance paddle beater feed system to allow for extra header rotation and is designed for maximum throughput to handle the heaviest of yields.

OVERCARRIAGE/ UNDERCARRIAGE—

The leveling system's unique center pivot design allows the original drive train components to be reused. The Hillco overcarriage bolts in place of the original front axle. The drive train components are then fastened to the leveling system's undercarriage, delivering maximum efficiency and reliability. This unique design also keeps the treadface of the tires flat on the ground for improved traction, stability and flotation.



ADVANCED SLOPE SENSING & CORRECTION—

The clinometer-based slope sensor mounted to the carriage continuously monitors the slope and maintains a level combine chassis. The technology utilized in the leveling controller and hydraulic control valve allows for variable leveling speed.

HYDRAULICS—The leveling system's hydraulics are integrated into the combine's auxiliary hydraulics circuit for ease of maintenance and excellent reliability. Carefully engineered to maximize performance and minimize horsepower consumption, the Hillco Leveling System delivers power and speed to keep your Axial Flow combine agile and responsive in the steepest hillside terrain.

LATERAL TILT CONTROL—

The hydraulic controlled lateral tilt system counter rotates the header during leveling, keeping the header parallel to the ground. When integrated with the combine's lateral tilt electronics, it delivers fully automatic header height and lateral tilt control for excellent ground contouring performance.

HILCO TECHNOLOGIES	CH9010 HILLSIDE	CH7010 HILLSIDE	CS7010 SIDEHILL
Dimensions	24.5x32 6* Front Tires 620/70R28 Rear Tires	520/85R38 Front Tires 600/70R28 Rear Tires	520/85R38 Front Tires 600/70R28 Rear Tires
Case IH Models	7230, 8230 & 9230	5130, 6130 & 7130	5130, 6130 & 7130
A	419.7"	386" (21' Unloading Auger)	380" (21' Unloading Auger)
B	199"	196.4"	192.4"
C	185"	NA	NA
D	168"	158.5"	154.5"
E	150.7"	150.2"	150.2"
F ^a	150"	150"	126" (narrow carriage) 150" (wide carriage)
G ^a	204.5"	201"	201"
Maximum Slope Compensation	27% (15.4°)	27% (15.4°)	18% (10.2°)
Leveling Controller	Slope Sensing Clinometer		
Leveling Speed	Proportional Control with Auto/Manual		
Leveling Hydraulic System	Integrated into Combine's Hydraulics		
Header Lateral Tilt Control	Hydraulic Master/Slave Cylinder with Auto/Manual Override		
Feeder Transition	Paddle Beater	Paddle Beater	Extended Feeder Chain
Leveling System Installation	The unique bolt-on design of Hillco Leveling Systems makes Near Factory and Dealer installation a convenient option for both new and pre-owned combines.		
Leveling System Shipping Weight	5,120 lbs	4,750 lbs	4,550 lbs
Net Weight Added to Combine ^b	3,920 lbs	3,550 lbs	3,350 lbs

^a Due to different tire configurations, row spacings, axle configurations, wheel offsets, axle positions and spindle types, machine widths will vary. Measurements given in chart are for minimum and maximum widths with dual drive tires. For more detailed width information, please contact Hillco.

^b Due to different combine options, weight will vary.

Note: Dimensions are approximate and subject to change without notice.