



Hillside Leveling Systems for Case-IH combines

It's grain you don't lose. It's time you don't waste.



Model 3700H fits Case-IH 5088,
6088 & 7088 Axial Flow Combines

Think Level... Think Profit...

More bushels per acre. More acres per hour.



Model 2810 fits Case-IH 8010,
8120, 9120 Axial Flow Combines

Think Hillco... Why buy a larger, more productive combine only to sacrifice up to half its capacity in the hills? Hillco Leveling Systems virtually eliminate hillside grain loss, allowing your combine to harvest at peak capacity and save you precious time and money.

▶▶▶ *“Hillco’s warranty and support are excellent. If you put a Hillco on a combine, you will never want to harvest without one.”*

MAIN FEATURES

- ▶ 27% Slope Compensation
- ▶ Fully Automatic Variable Speed Leveling
- ▶ Fully Automatic Header Height and Lateral Tilt Control
- ▶ Dual Tire Compatible

MAIN BENEFITS

- ▶ Increased Hillside Capacity
- ▶ Reduced Hillside Grain Loss
- ▶ Improved Sample Quality
- ▶ Comfortable Hillside Operation



CAB CONTROLS

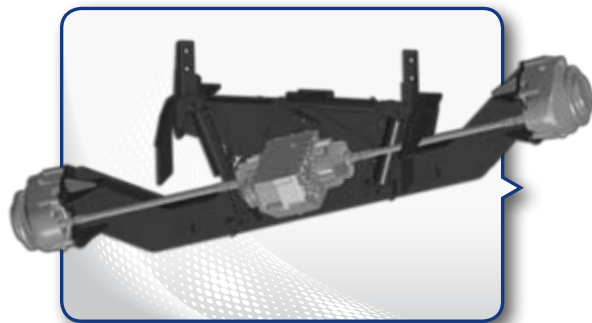
The LCD display console delivers fingertip control of all leveling functions. Switch to Automatic mode and the leveling system corrects for slope changes without any operator input. Switch to Manual mode and the Automatic leveling is disabled, allowing the operator to have full control over the combine’s chassis position. The Manual mode is especially handy for controlling unloading auger height in windy conditions. A Diagnostic mode makes electrical troubleshooting simple, and a rear wheel assist alarm reminds the operator to disengage this function when descending steep hills.

HYDRAULIC LATERAL TILT CONTROL

The hydraulic controlled lateral tilt system counter-rotates the header during leveling and, when integrated with the combine’s Terrain Tracker® electronics, delivers fully automated header height and lateral tilt control for excellent ground contouring performance.

HIGH FLOW FEED SYSTEM

The ultra-low maintenance paddle beater feed system is designed for maximum throughput to handle the heaviest of yields. Anti-wrap strippers ensure that you’ll keep harvesting in the toughest conditions.



DIRECT DRIVE CARRIAGE

The combine’s original drivetrain components are unbolted from the combine’s main axle tube and remounted on the leveling system’s undercarriage, delivering maximum drivetrain efficiency and reliability. This unique design keeps the treadface of the tire flat on the ground for improved traction,

stability, and flotation. Equipped with dual drive tires, Hillco Hillside Systems provide all the performance needed to tackle the steepest terrain with confidence. The carriage’s high strength design and construction is built to handle the heavy loads of today’s larger combines and provide years of trouble-free service in the roughest of field conditions.

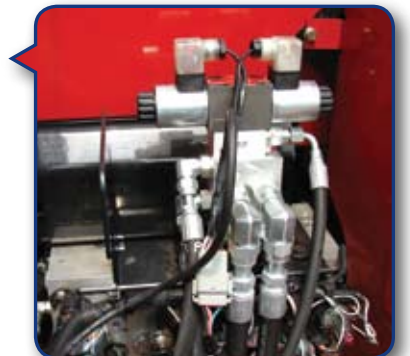


HILLCO MODEL 3700H
(features also apply to Hillco Model 2810H)

ADVANCED SLOPE SENSING & CORRECTION

Precision electronic slope sensing combined with variable speed hydraulic leveling control delivers the ultimate in smooth, responsive leveling performance. When you’re harvesting with today’s high capacity combines at fast harvesting speeds you need quick reaction and lots of power to keep your combine in position to deliver maximum performance in the steepest terrain.

The clinometer based slope sensor continuously monitors the sloping field conditions and maintains a combine chassis position within 1/2 degree of level. The variable rate technology utilized in the leveling controller and hydraulic control valve allows for infinite leveling speed control from zero to maximum speed. The further the combine is out of level the faster the system corrects, and as the chassis approaches level, the leveling rate slows. This variable speed leveling is what allows Hillco Leveling Systems to be both smooth and responsive.



Variable Rate Control Valve



Clinometer and Controller

REAR DROP AXLE

The drop axle lifts the rear of the combine to match the 9” height increase of the drive axle carriage system. This levels the combine fore/aft and accommodates both powered and non-powered rear steering axles.



***Hillco Technologies, Inc. is the exclusive authorized manufacturer of leveling systems for Case-IH Combines.**

Think Profit...

Farmers report seeing a savings of 20% in separator hours per season!

MORE ACRES PER HOUR

Farmers report that equipping their combines with a Hillco Leveling System commonly saves them over 20% of separator hours during a harvest season. This kind of productivity is what Hillco Leveling Systems are all about.

A few key benefits:

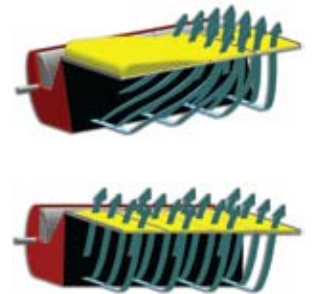
- Lower Operating Costs = Less Labor and Fuel Costs
- Shorter Harvest Season
- Decreased Combine Depreciation Rate
- More Time = More Acres

At Hillco, we understand that no two farms are alike. Visit us at www.hillcotechnologies.com and learn how you can input your farming operation into our **Return on Investment Calculator** and see what a Hillco Leveling System can do for your bottom line.

MORE BUSHELS PER ACRE

As a non-leveling combine moves onto a hillside, threshed material moves to the low side of the cleaning shoe, allowing valuable cleaning air to escape without lifting and separating the crop. The result is hillside grain loss and degraded sample quality.

With a Hillco Leveling System installed on your combine, the material is evenly distributed in the shoe, maximizing separation and cleaning capacity. With today's highly valued crops and the rising costs of operations, putting your crops into the bin instead of lying in the field means thousand of dollars in increased profits.



"I have been operating combines fitted with Hillco Leveling Systems for a number of years. It has reduced separator hours and increased combine capacity. Hillco stands behind their product 110%!"

LEVELING SYSTEM INSTALLATION

Near Factory Installation—Hillco offers near-factory installation service for all new Case-IH combines originating from the CNH combine manufacturing facility in Grand Island, Nebraska. Order a new combine from Case-IH and a Leveling System from Hillco and the combine will arrive at your dealership field-ready.

Dealer Installation—The unique bolt-on design of Hillco Leveling Systems makes dealer installation a convenient option for both new and pre-owned combines.

CATEGORY IV WARRANTY AGREEMENT

The Hillco/CNH Category IV Warranty Agreement ensures that all original combine warranties remain in full effect after installation of a Hillco Leveling System.



Case-IH 7088 with Hillco Model 3700H

