



Model 2955S Sidehill Leveling System Parts Manual

SN 2955S-12001 thru 2955S-12999

For John Deere 9560 & 9570

STS Combines

D-110606CMA01A



Table of Contents

General Information	1
Serial Number Location	1
Text and Illustrations	1
Abbreviations	1
Right and left Identification	1
Part Orders	1
TRANSITION	2
Transition Fasteners	4
CARRIAGE	6
Carriage Fasteners	8
Shift Linkage Assembly	10
DROP AXLE	10
ELECTRICAL	14
Leveling Box and Monitor Display	14
Remote Switches	16
Electrical Cables	17
HYDRAULICS COMPONENTS	19
Standard Gear Pump and Leveling Manifold Assembly	21
Standard Gear Pump Assembly	22
Gear Pump Leveling Manifold	23
Header Trim Manifold	24
Hydraulic Hoses	26
Hydraulic Hoses (Continued)	27
Hydraulic Adapters	28
Hydraulic Adapters (Continued)	29
MISCELLANEOUS	30

Contact Information

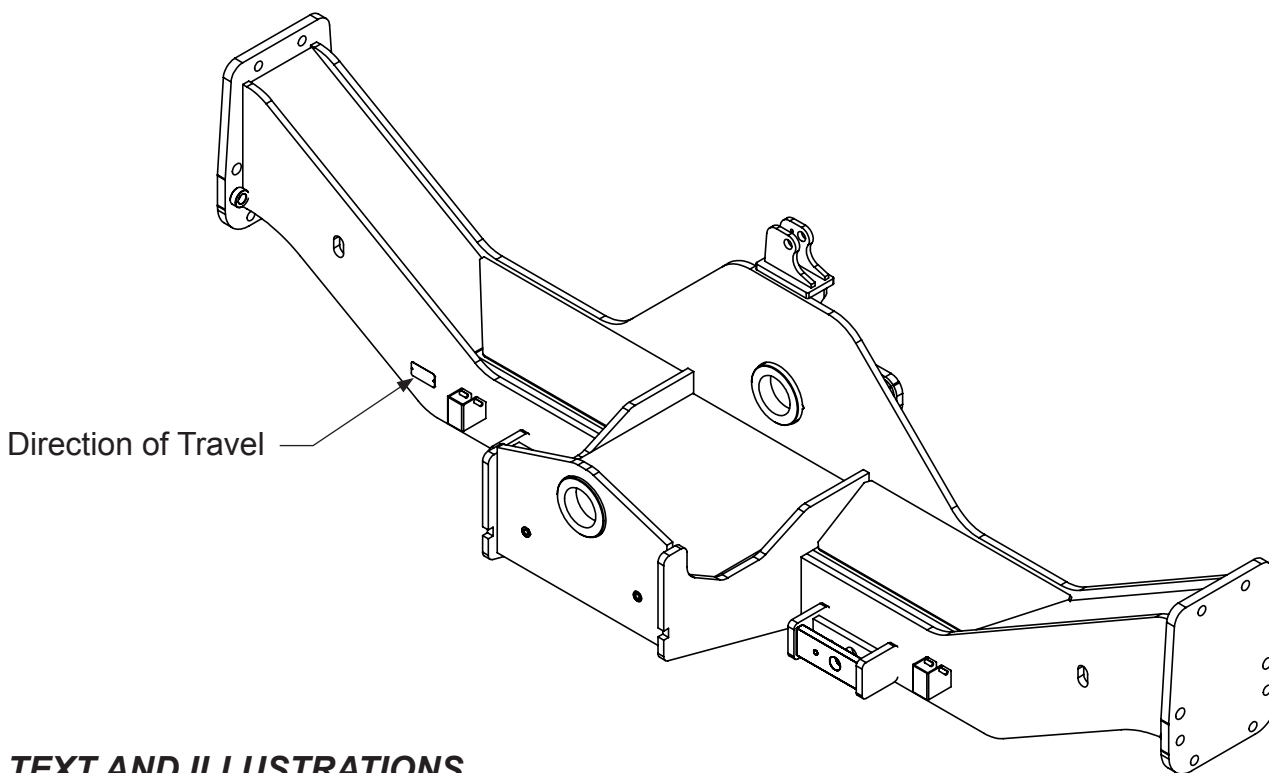
Hillco Technologies, Inc.
107 1st Avenue
Nezperce, Idaho 83543

Phone	800-937-2461
	208-937-2461
Fax	208-937-2280

www.hillcotechnologies.com
email: support@hillcotechnologies.com

GENERAL INFORMATION

SERIAL NUMBER LOCATION



TEXT AND ILLUSTRATIONS

The arrangement of this parts catalog is for easy identification of parts. All parts are illustrated in exploded views in proper relation to each other. Some diagrams refer to other pages for further information. Reference numbers used in the illustrations refer to line numbers in the part lists. The part lists appear to the right or below all diagrams and correspond with those diagrams. Included in the part lists, along with the reference numbers are part numbers, part descriptions and the quantity of the part required per leveling system.

ABBREVIATIONS

SN "Serial Number" refers to the serial number given to each leveling system (by Hillco Technologies), as well as the serial number given to the combine (by the specific combine manufacturer) the leveling system is installed. See above for the leveling system's serial number location. This abbreviation is used interchangeably in both instances. Each Model 2955S Leveling System uses the following serial number format: 2955S-XXXX (sequential numbers).

ASM "Assembly" refers to a whole grouping of parts (shown in the diagram corresponding with the page where "ASM" is shown unless otherwise noted). Some assemblies have parts that are sold separately, however some must be purchased as a single unit. Hillco Product Specialists will be able to assist you with any questions.

NS "Not Shown" refers to a part that is not depicted in the illustration.

RIGHT AND LEFT IDENTIFICATION

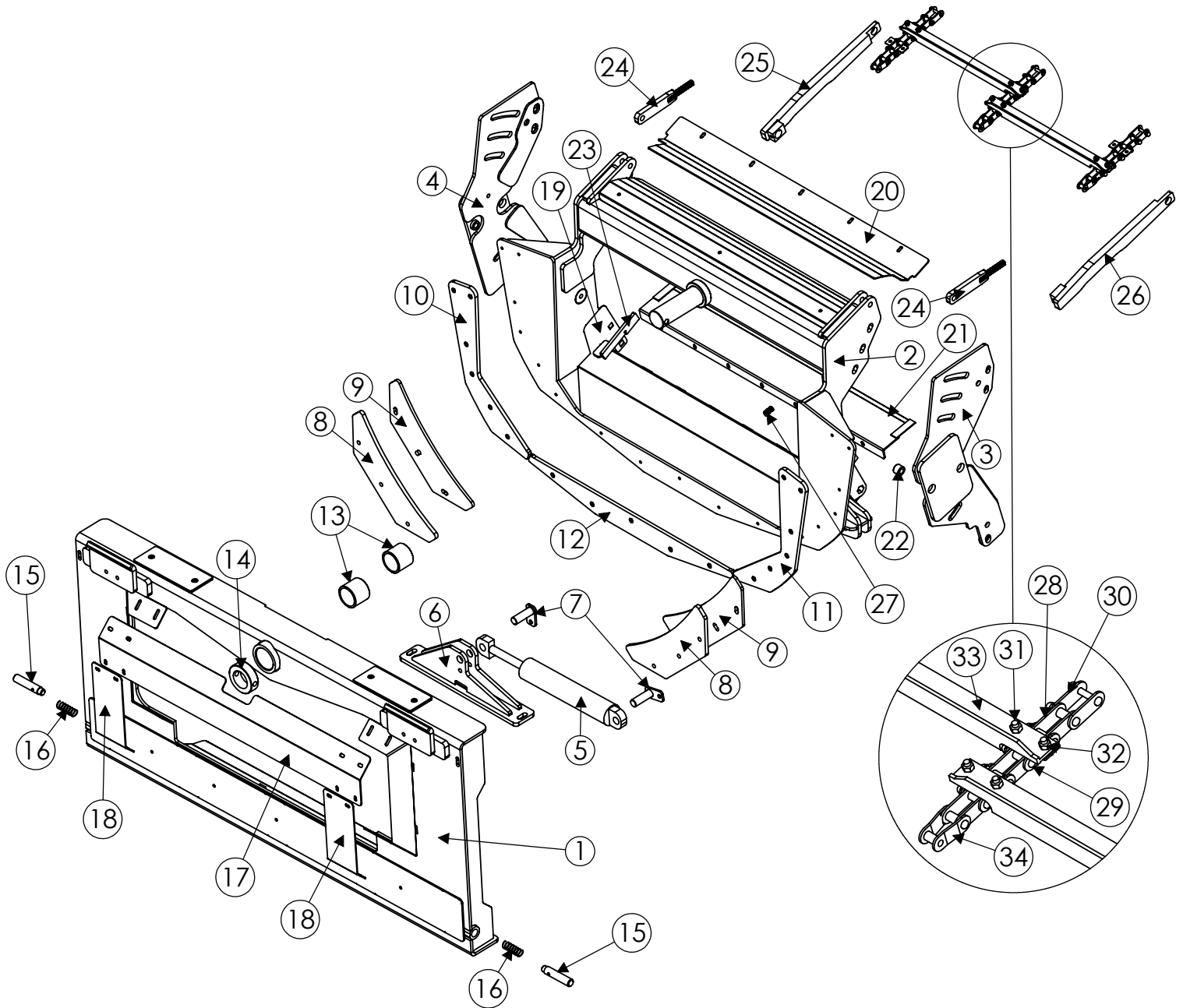
The reference to right-hand and left-hand in this catalog is identified by the operator sitting in the operator's seat, looking toward the front of the machine (in normal forward travel).

PART ORDERS

Orders must specify product model, serial number, correct part number, complete description, quantity required, method of shipment, shipping address, and billing address.

Model 2955S Hillco Leveling System
For Serial Numbers 2955S-12001 thru 2955S-12999

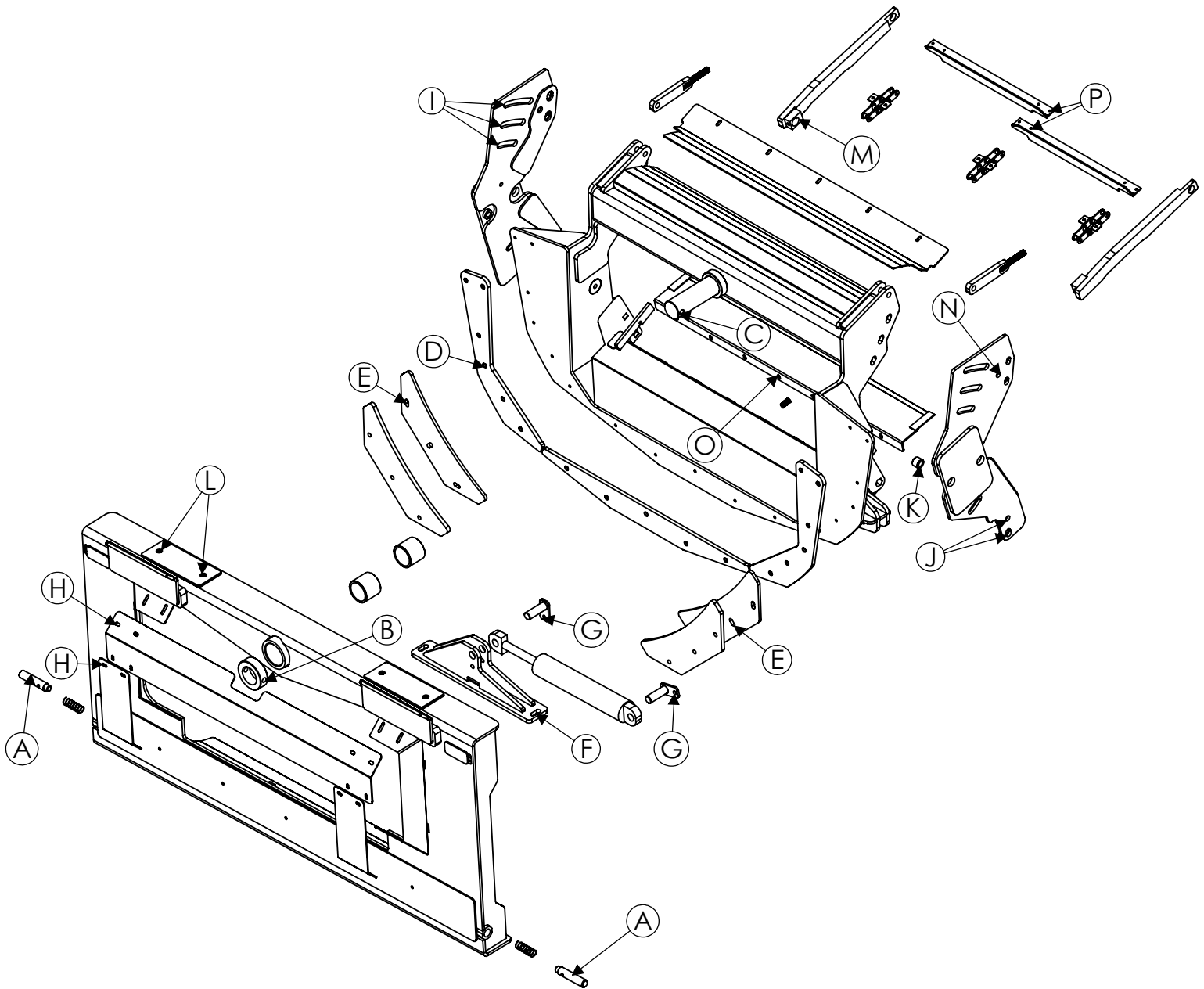
TRANSITION



Model 2955S Hillco Leveling System
For Serial Numbers 2955S-12001 thru 2955S-12999

TRANSITION COMPONENTS				
REF.	PART NO.	QTY.	PART NAME	NOTES
1	LA-253165	1	TA ASM	
2	LA-253223	1	TT ASM, FRONT	
3	LA-260891	1	TT ASM, REAR LEFT	
4	LA-260771	1	TT ASM, REAR RIGHT	
5	HC-138582	1	CYLINDER, SLAVE	**SEE HYDRAULIC PAGE 19
6	LA-250713	1	TM ASM, SLAVE CYLINDER ROD MOUNT	
7	LA-253883	2	LM ASM, PIN	
8	LP-250551	2	TM UHMW, BACKING WEARPAD	
9	LM-250541	2	TM PLT, BACKING	
10	LM-250571	1	TM UHMW, RIGHT WEARPAD	
11	LM-250561	1	TM UHMW, LEFT WEARPAD	
12	LM-250581	1	TM UHMW, BOTTOM WEARPAD	
13	LTP-241721	2	BUSHING, PIVOT	
14	LM-226841	1	TM COLLAR, PIVOT	
15	LM-229193	2	TM ROD, LOCK	
16	MC-135531	2	TM SPRING, LOCK PIN	
17	LP-253452	1	TM PLATE, TOP SHIELD	
18	LP-250534	2	TM PLT, LEFT & RIGHT SHIELD	
19	LP-260791	2	TM SHEET, ANTI-LEAK	
20	LP-260901	1	TM SHIELD, TOP	
21	LA-274441	1	TM ASM, FLEX FLOOR	
22	LM-260821	2	TM BUSHING, PIVOT OUTER	
23	LP-261351	2	TM UHMW, THROAT SEAL	
24	LA-261021	2	TM ASM, DRAG LINK	
25	LA-260851	1	TM ARM ASM, FEEDER DRUM RHT	
26	LA-260861	1	TM ARM ASM, FEEDER DRUM LFT	
NS	MC-146551	6	CHAIN LINK-W/K25 ATTACHMENT CA557	
27	MC-143591	7	SPRING, COMPRESSION .703 OD X 1.09 LENGTH X .125 WIRE DIA.	
NS	MC-140261	3	CONNECTING LINK, JD HD CHAIN	
NS	MC-142261	6	S-WIRE KEEPER PINS	JD PART NUMBER H204865
FEEDER CHAIN COMPONENTS				
ASM	LA-252202	1	FEEDER CHAIN EXTENSION ASSEMBLY	CONTAINS REF. NO 28-36
28	MC-146391	9	CHAIN LINK CA557 CHAIN	
29	MC-146551	6	CHAIN LINK-W/K25 ATTACHMENT CA557	
30	MC-140261	3	CHAIN LINK CA557 CHAIN (AH220541)	
31	F-HC-8M020E	8	HC-10.9 M8 X 1.25 X 20	FEEDER CHAIN SLATS TO CHAIN
32	F-HNS-8ME	8	HN-10.9 M8 X 1.25 STOVER	FEEDER CHAIN SLATS TO CHAIN
NS	F-PCT-02X16	4	PIN COTTER 1/8 X 1	
NS	MC-142261	1	S-WIRE KEEPER PINS	
33	MC-143451	2	FEEDER CHAIN SLAT, 9560 STS	
NA	MC-146211	6	M8 X 1.25 ACORN NUT	USED ON THE MASTERLINKS
36	MC-146641	3	OFFSET COUPLER, CA557-	

TRANSITION FASTENERS



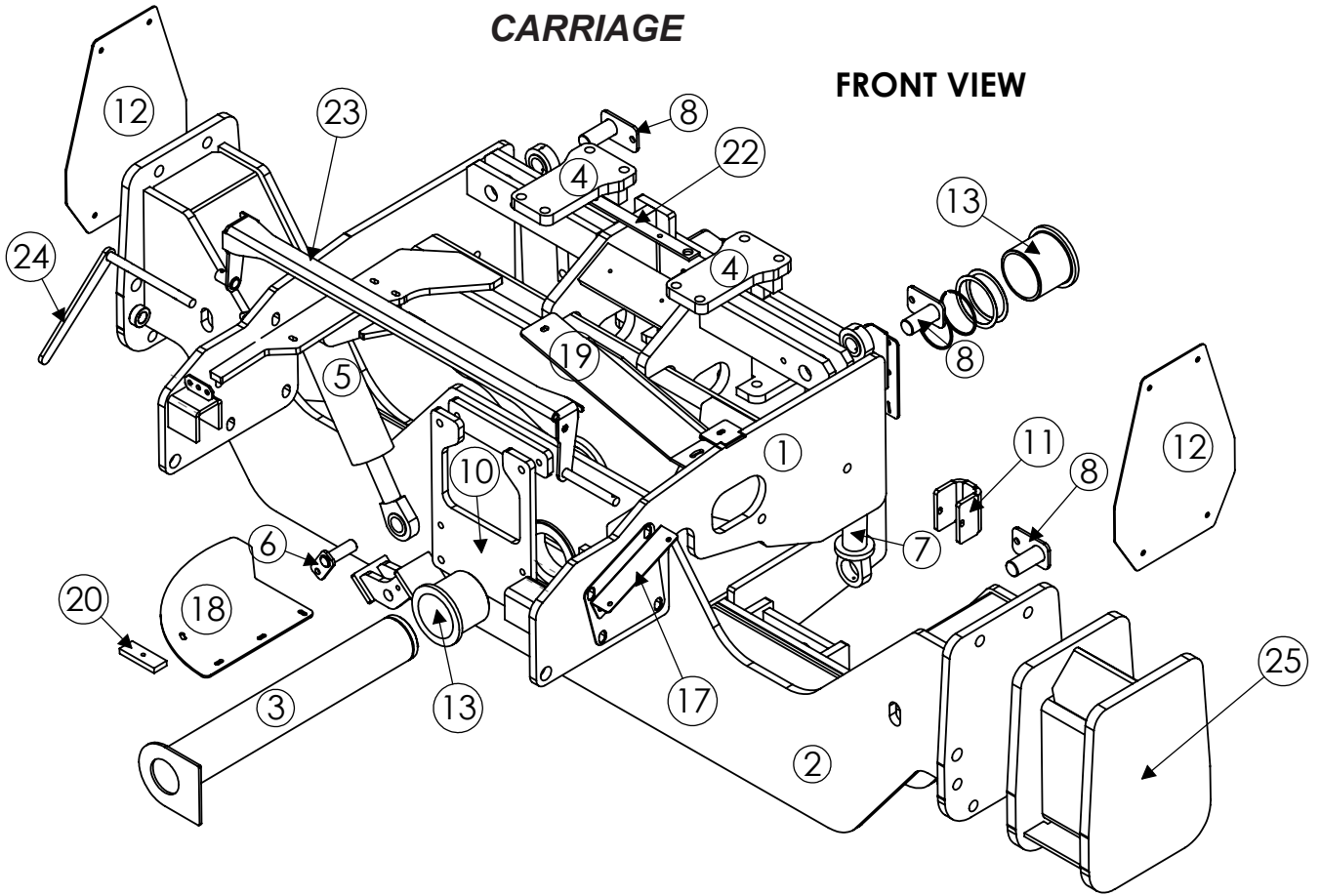
Model 2955S Hillco Leveling System
For Serial Numbers 2955S-12001 thru 2955S-12999

TRANSITION FASTENERS				
REF.	PART NO.	QTY.	PART NAME	WHERE USED
A	F-HC-10M070E	2	HC-10.9 M10 X 1.5 X 70	HEADER LOCK PINS
B	F-HC-16M120E	1	HC-10.9 M16 X 2.00 X 120	MAIN PIVOT PIN COLLAR
B	F-HNS-16ME	1	HN-10.9 M16 X 2.00 STV	MAIN PIVOT PIN COLLAR
C	F-MB-14NR40	4	MACH BUSH 14 GA NR 2-1/2" ID	MAIN PIVOT PIN
D	F-FHS-8M030E	17	FHSC-10.9 M8 X 1.25 X 30	UHMW FACE PLATE
D	F-HNS-8ME	17	HN-10.9 M8 X 1.25 STV	UHMW FACE PLATE
E	F-HCF-12M040E	6	FLHC-10.9 M12 X 1.75 X 40	BACKING PLATES
F	F-HNS-16ME	3	FLHN-10.9 M16 X 2.00	SLAVE CYLINDER ROD MOUNT
F	F-HCF-16M040E	3	FLHC-10.9 M16 X 2.00 X 40	SLAVE CYLINDER ROD MOUNT
G	F-HCF-12M040E	2	FLHC-10.9 M12 X 1.75 X 40	SLAVE CYLINDER MOUNT PIN
G	F-HNS-12ME	2	HN-10.9 M12 X 1.75 STV	SLAVE CYLINDER MOUNT PIN
H	F-HNF-08ME	12	FLHN-10.9 M8 X 1.25	SHIELDS
H	F-HCF-8M020E	12	FLHC-10.9 M8 X 1.25 X 20	SHIELDS
I	F-CB-16M050E	9	CARR-10.9 M16 X 2.0 X 50	CONNECTS FRONT & REAR THROATS
I	F-HNF-16ME	9	FLHN-10.9 M16 X 2.00	CONNECTS FRONT & REAR THROATS
I	MC-143641	9	FW 17.5 X 56 X 5	CONNECTS FRONT & REAR THROATS
I	MC-143641	2	FW 17.5 X 56 X 5MM	DRILLED HOLE
J	F-CB-16M050E	4	CARR-10.9 M16 X 2.0 X 50	REAR THROAT TO FEEDERHOUSE
K	F-HCF-16M040E	2	FLHC-10.9 M16 X 2.0 X 40	TRANSITION PIVOT BOLTS
K	MC-143641	2	FW 17.5 X 56 X 5	TRANSITION PIVOT BOLTS
L	F-HNF-16ME	4	FLHN-10.9 M16 X 2.00 NUT	HEADER TOP SPACER PLATES
M	F-PCT-02X16	2	PIN COTTER 1/8 X 1	PINS FOR FEEDER DRUM ARMS
N	F-HC-16M050E	2	HC-10.9 M16 X 2.0 X 50	DRILLED HOLE TRANSITION TO FEEDERHOUSE
N	F-HNF-16ME	2	FLHN-10.9 M16 X 2.00	DRILLED HOLE TRANSITION TO FEEDERHOUSE
O	F-CB-10M050F	8	CARR-8.8 M10 X 1.50 X 50	FLOOR HINGE
O	F-HNN-10MF	8	HN-8.8 M10 X 1.50 NYLOCK	FLOOR HINGE
P	F-HC-8M020E	8	HC-10.9 M8 X 1.25 X 20	FEEDER CHAIN SLATS TO CHAIN - JD PART NUMBER 19M7881
P	F-HNS-8ME	8	HN-10.9 M8 X 1.25 STV	FEEDER CHAIN SLATS TO CHAIN - JD PART NUMBER E64256

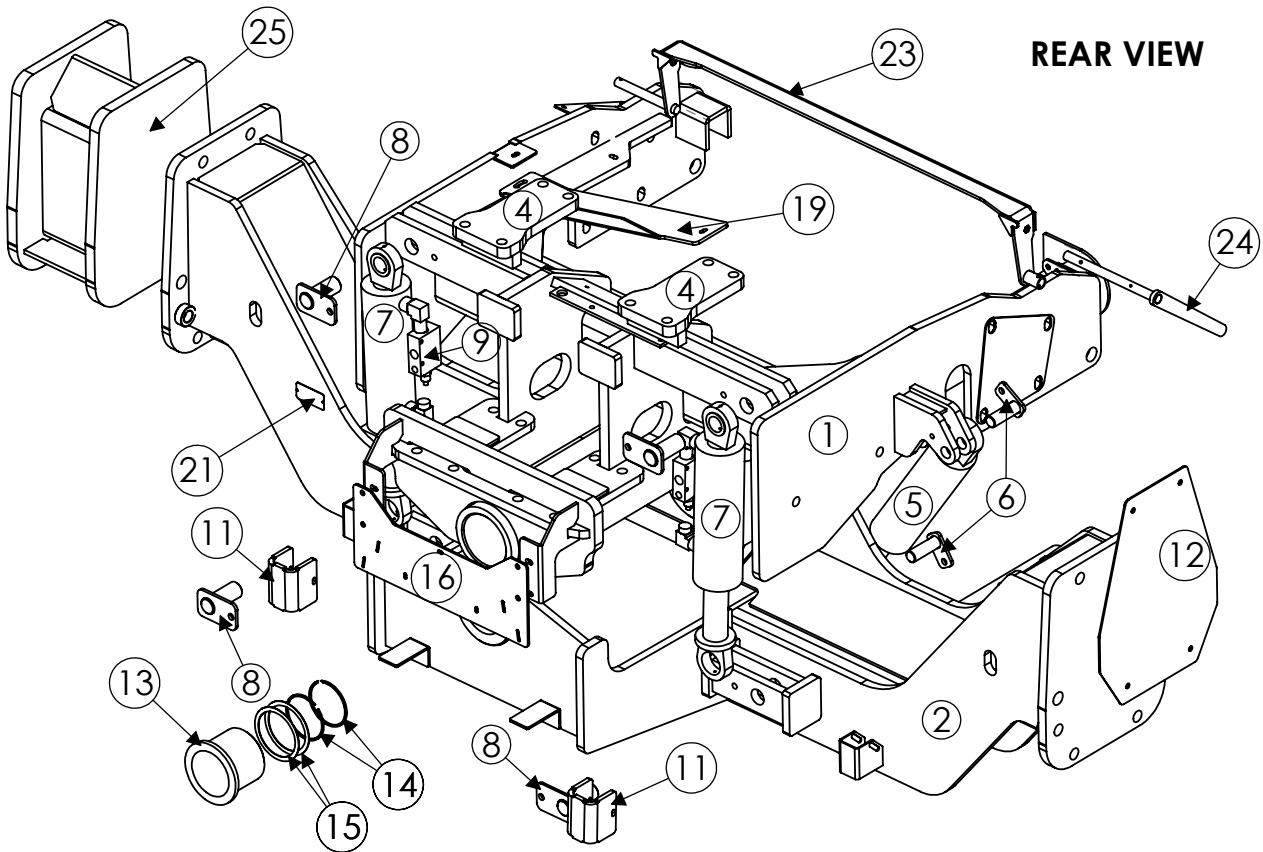
Model 2955S Hillco Leveling System
For Serial Numbers 2955S-12001 thru 2955S-12999

CARRIAGE

FRONT VIEW



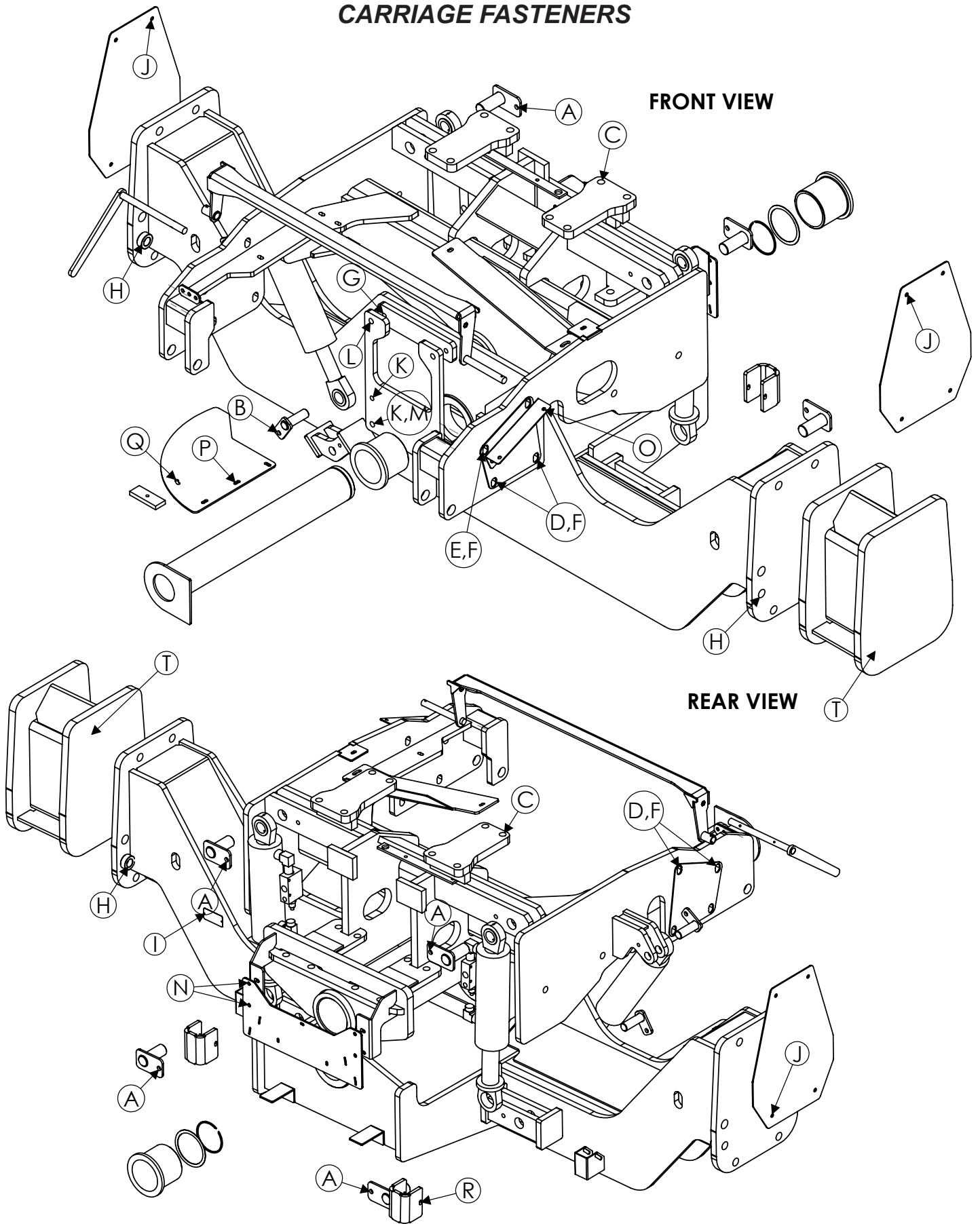
REAR VIEW



Model 2955S Hillco Leveling System
For Serial Numbers 2955S-12001 thru 2955S-12999

CARRIAGE COMPONENTS				
REF.	PART NO.	QTY.	PART NAME	NOTES
1	LA-253443	1	OVERCARRIAGE ASM	
2	LA-253082	1	UNDERCARRIAGE ASM	
3	LA-247482	1	CM ASM, MAIN PVT PIN	
4	LA-266341	2	CM PLATE ASM, TOP	
5	HC-140342	1	CYLINDER, MASTER	**SEE HYDRAULIC PAGE 19
6	LA-253883	2	LM ASM, MASTER CYLINDER PIN	
7	HC-140313	2	CYLINDER, MAIN LEVELING	**SEE HYDRAULIC PAGE 19
8	LA-230552	4	CM PIN ASM, MAIN CYLINDER	
9	HC-138901	2	VALVE, COUNTERBALANCE	**SEE HYDRAULIC PAGE 19
10	LM-260591	1	CM PLATE, TRANSMISSION MOUNT	
11	LP-254431	2	LM PLATE, CYLINDER STOP	
12	LP-230241	2	CM CAP, AXLE	
13	LP-247961	2	CM BUSHING, PIVOT	
14	MC-138651	1	SNAP RING 4"	
15	MC-138641	4	WASHER 4.016" ID X 4.764" OD X .048"	
16	LP-261431	1	EM PLATE, ELECTRICAL MOUNT	
17	LP-261531	1	HM SUPPORT, HDR LIFT CYL HOSE	
18	LP-261121	1	HM TABLE, HYDRO HOSE	
19	LM-261102	1	HM MOUNT, HYDRO SUPPORT/CLAMP	
20	LM-261091	3	HM FLAT, CLAMP SPACER	
21	LA-255971	1	TAG, SERIAL NUMBER	
22	LM-248781	1	LM PLT, BRAKELINE BRACKET	
23	LA-264521	1	LM ASM LINKAGE	ROCK TRAP
24	LA-264501	1	LM ASM HANDLE	ROCK TRAP
CARRIAGE OPTIONS FOR COMBINES WITH DUAL TIRES; REQUIRED ON 9560 STS COMBINES RUNNING DUAL TIRES				
NS	LA-253141	1	LM ASM, 9.25 AXLE EXTENSION KIT	
25	LA-253131	2	LM ASM, 9.25 AXLE EXTENSION	
MISCELLANEOUS CARRIAGE COMPONENTS AND FASTENERS				
NS	MC-141551	6	CABLE, SHIFT	SUBS TO JOHN DEERE CABLE PART NUMBER AH128356
NS	F-HNN-8MF	2	HN- 8.8 M8 X 1.25 NYLOCK	NUT, FOR BRAKE CABLE
NS	MC-147761	1	CLAMP, HOSE R/C 3/4X 3" P STYLE (JD# AA27556)	WORKING LINES (Left Side)
NS	LM-274421	1	VINYL EDGE TRIM, 1/8 GAP 12-1/2"	PROTECTS SHIELD NOTCH

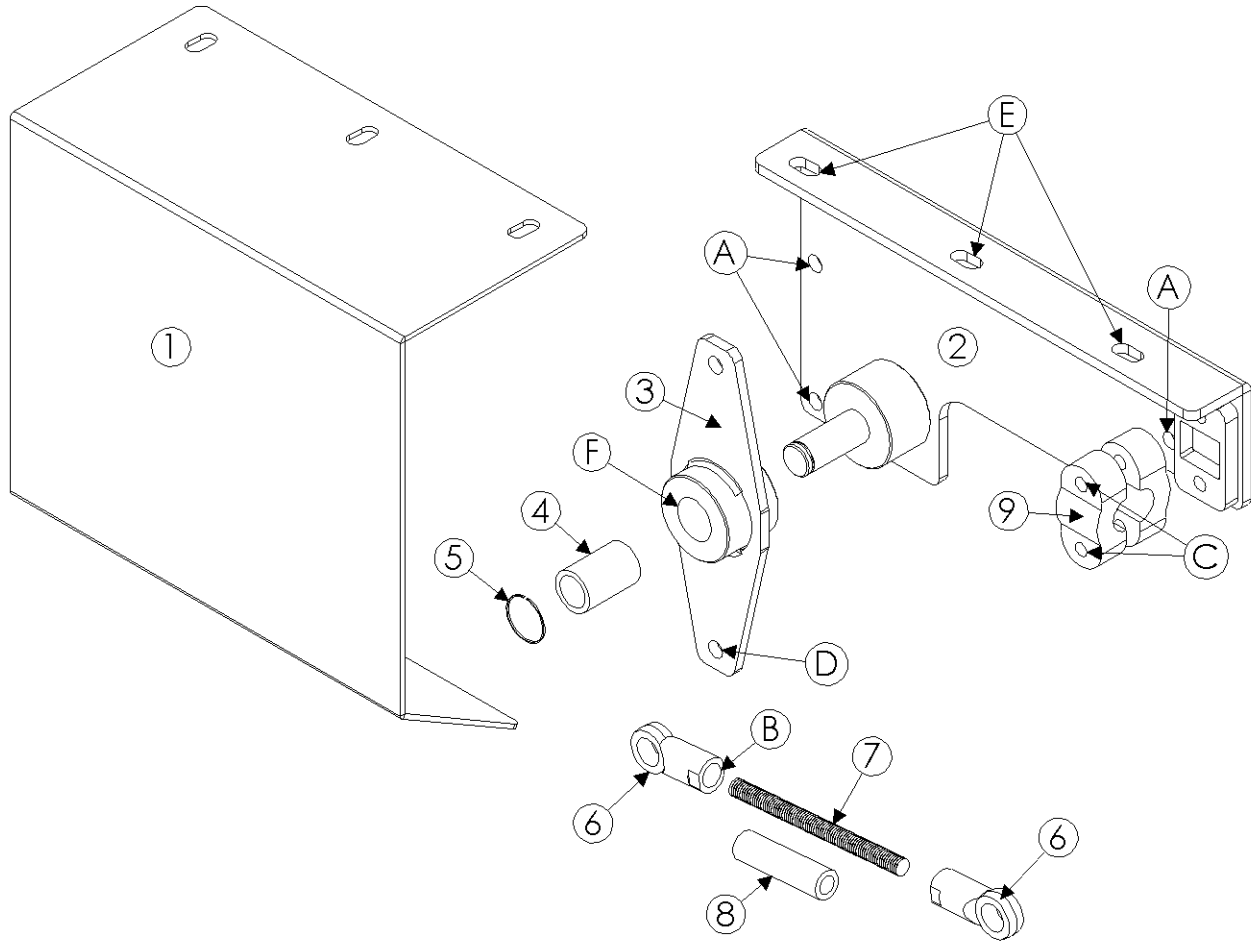
CARRIAGE FASTENERS



Model 2955S Hillco Leveling System
For Serial Numbers 2955S-12001 thru 2955S-12999

CARRIAGE FASTENERS				
REF.	PART NO.	QTY.	PART NAME	WHERE USED
A	F-HCF-12M040F	4	FLHC-8.8 M12 X 1.75 X 40	LEVELING CYL MNT PIN
A	F-HNS-12ME	4	HN-10.9 M12 X 1.75 STV	LEVELING CYL MNT PIN
B	F-HCF-12M045E	2	FLHC-10.9 M12 X 1.75 X 45	MASTER CYL MNT PIN
C	F-HC8-12C240	8	HC8 3/4-10 X 15	OVERCARRIAGE CLAMP
C	F-HNS-12C	8	HN8 3/4-10 STV	OVERCARRIAGE CLAMP
D	F-HC-16M110E	6	HC-10.9 M16 X 2.00 X 110	OVERCARRIAGE FRONT RIGHT & BOTTOM LEFT
E	F-HC-16M120E	2	HC-10.9 M16 X 2.00 X 120	OVERCARRIAGE FRONT LEFT TOP
F	F-FWH-10	8	FW 5/8 H	OVERCARRIAGE FRONT
G	F-HNF-16ME	4	FLHN-10.9 M16 X 2.00	BTM & TOP TRANSMISSION MNT HOLES
H	F-SHC-24M080E	4	SHCS 10.9-M24 X 3 X 80 ZINC	FINAL
I	F-UDS-#7X06	2	SCREW, U-DRIVE #7 X 3/8	SERIAL NUMBER PLATE
J	F-HCF-10M040E	8	FLHC-10.9 M10 X 1.50 X 40	ORIGINAL AXLE COVER
J	F-HNF-10ME	8	FLHN-10.9 M10 X 1.50	ORIGINAL AXLE COVER
J	F-FWF-06020	8	3/8 FW FENDER X 1-1/4	ORIGINAL AXLE COVER
K	MC-143711	4	STUD, DOUBLE-ENDED-10.9 M16 X 2.00 X 75	LOWER TRANSMISSION MOUNTING HOLES ON PLATE & UC
L	MC-143721	2	STUD, DOUBLE-ENDED-10.9 M16 X 2.00 X 90	UPPER TRANSMISSION MOUNTING HOLES ON UC
M	F-HNF-16ME	2	FLHN-10.9 M16 X 2.00	LOWER STUDS THAT HOLD PLATE TO UC
N	F-HNF-08ME	4	FLHN-10.9 M8 X 1.25	ELECTRICAL BOX TO OC
N	F-HCF-8M020E	4	FLHC- 10.9 M8 X 1.25 X 20	ELECTRICAL BOX TO OC
O	F-HCF-8M030E	3	FLHC-10.9 M8 X 1.25 X 30	HOSE CLAMPS FOR HDR LIFT CYL HOSES
O	F-HNF-8ME	3	FLHN-10.9 M8 X 1.25	HOSE CLAMPS FOR HDR LIFT CYL HOSES
P	F-HCF-8M020E	2	FLHC-10.9 M8 X 1.25 X 20	HYDRO HOSE TABLE TO TRANSMISSION
Q	F-HCF-8M020E	1	FLHC-10.9 M8 X 1.25 X 20	CASE DRAIN HOSE
Q	F-HNF-08ME	2	FLHN-10.9 M8 X 1.25	CASE DRAIN HOSE
R	F-PSL-04X48	2	SNAP LOCK PIN	SHIPPING SPACERS ON CYLINDER
S	F-HC-06M035E	1	HC 10.9 M6 X 1.0 X 35 PLT	ROCK TRAP
S	F-HNN-06MF	1	HN-8.8 M6 X 1.0 NYLOCK	ROCK TRAP
AXLE EXTENSION FASTENERS				
REF.	PART NO.	QTY.	PART NAME	WHERE USED
T	F-HC-24M90E	12	MM HC-10.9 M24 X 3.00 X 90 Plated	AXLE EXTENSION BOLTS
T	F-HNS-24ME	12	MM HN- 10.9 M24 X 3.00 Stover	AXLE EXTENSION NUTS
T	LM-266381	12	CU TM, SPACER- FINAL DRIVE	
T	MC-140991	12	SPACER	
T	MC-141121	12	MM FW- M25.4 X 50.00 X 6.00 Plated	

SHIFT LINKAGE ASSEMBLY

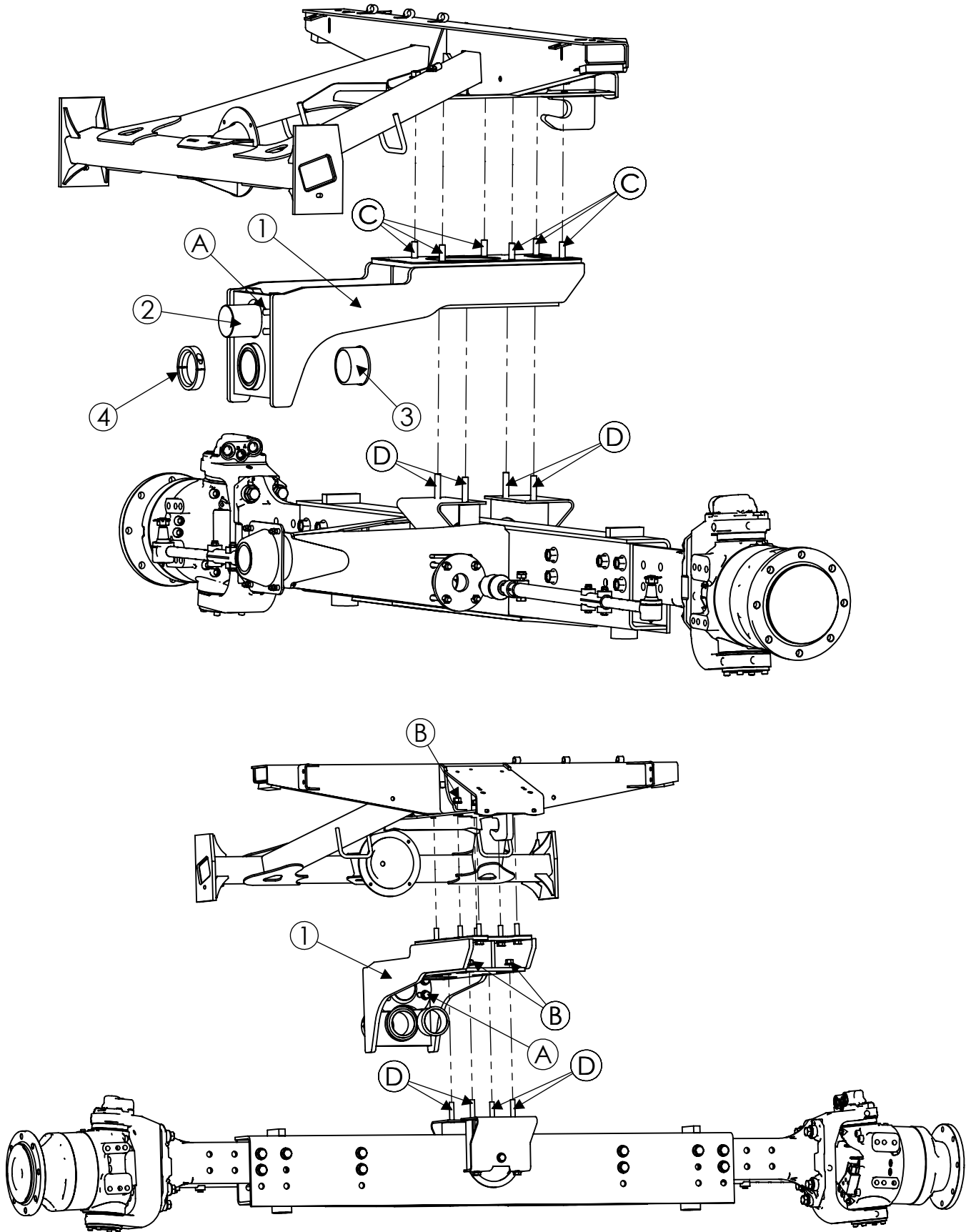


Model 2955S Hillco Leveling System
For Serial Numbers 2955S-12001 thru 2955S-12999

SHIFT LINKAGE ASSEMBLY				
REF.	PART NO.	QTY.	PART NAME	NOTES
1	LP-261651	1	LM SHIELD, SHIFT LINKAGE	
2	LA-261631	1	LM ASM, LINKAGE MOUNT	
3	LA-261621	1	LM ASM, LINKAGE ARM	
4	MC-143781	1	SLEEVE BEARING, NYLON, 3/4" ID X 1" OD	PIVOT ARM ASM
5	MC-143771	1	SNAP RING, EXTERNAL, .750	SECURES ARM ASM TO MOUNTING ASM
6	MC-143751	2	BALL JOINT, SHIFT LINKAGE	SUBS TO JD PART NUMBER AH125958
7	LM-261611	1	LM ALL THREAD, SHIFT LINKAGE	
8	LM-261601	1	LM PIPE, ALL THREAD STIFFNER	
9	MC-143761	1	CLAMP, SHIFT CABLE	JD PART NUMBER H133047
SHIFT LINKAGE FASTENERS				
REF.	PART NO.	QTY.	PART NAME	WHERE USED
A	F-HCF-10M040E	3	FLHC-10.9 M10 X 1.50 X 40	MOUNTS SHIFT LINKAGE TO TRANSMISSION
B	F-HNJ-10MF	3	HN-8.8 M10 X 1.50 JAM	ALL THREAD TO BALL JOINTS
C	F-HCF-08M070E	2	FLHC-10.9 M8 X 1.25 X 70	SHIFT LINKAGE CLAMPS
C	F-HNF-08ME	2	FLHN-10.9 M8 X 1.25	SHIFT LINKAGE CLAMPS
D	F-HNF-10ME	2	FLHN-10.9 M10 X 1.50	SECURES BALL JOINTS TO SHIFTING ARMS
E	F-HCF-8M020E	3	FLHC-10.9 M8 X 1.25 X 20	SHIELD
E	F-HNF-08ME	3	FLHN-10.9 M8 X 1.25	SHIELD
F	F-MB-18WR12	4	MACHINE BUSHING 18 GA WR 3/4" ID	SHIFT LINKAGE PIVOT SPACER

Model 2955S Hillco Leveling System
For Serial Numbers 2955S-12001 thru 2955S-12999

DROP AXLE

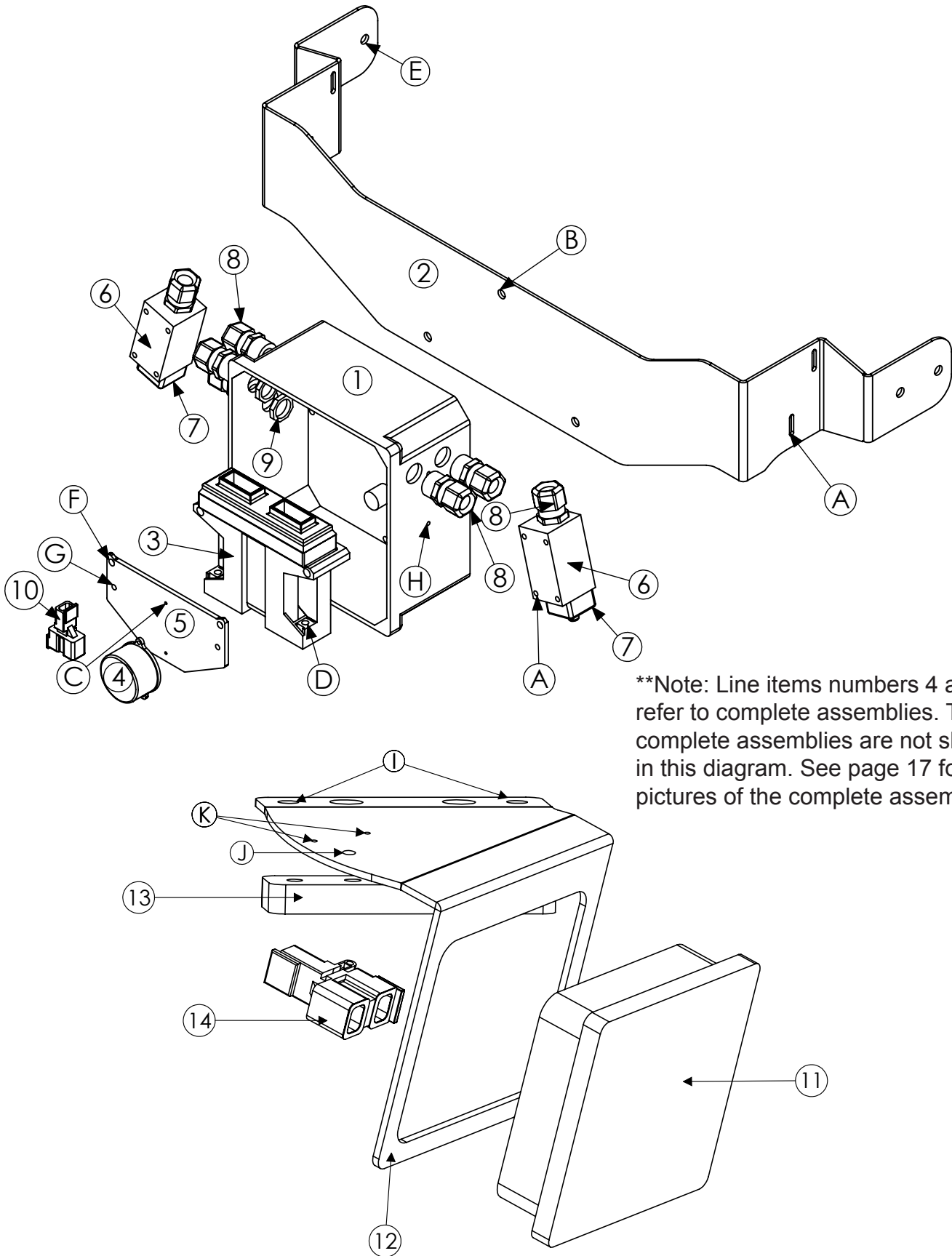


Model 2955S Hillco Leveling System
For Serial Numbers 2955S-12001 thru 2955S-12999

DROP AXLE COMPONENTS				
REF.	PART NO.	QTY.	PART NAME	NOTES
ASM	LA-254013	1	DA COMPLETE ASM	
1	LA-246703	1	DA ASM	
2	LA-265541	1	DA PIVOT ASM	
3	LP-235092	1	LM BUSHING, DA PIVOT	
4	LM-263711	1	LM COLLAR, CLAMPING 3-1/2" X 4-3/4"	

DROP AXLE FASTENERS				
REF.	PART NO.	QTY.	PART NAME	WHERE USED
A	F-HCF-16M060E	4	FLHC-10.9 M16 X 2.00 X 60	ATTACH SUB ASSEMBLIES
B	F-FHD-10	10	FW 5/8 HD	BOTTOM & TOP OF ASSEMBLY
B	F-HNS-16ME	10	HN-10.9 M16 X 2.00 STV PLT	BOTTOM & TOP OF ASSEMBLY
C	F-HCF-16M060E	6	FLHC-10.9 M16 X 2.00 X 60 PLT	TOP OF ASSEMBLY
D	F-HC-16M250E	4	HC-10.9 M16 X 2.00 X 250 PLT	BOTTOM OF ASSEMBLY

LEVELING BOX AND MONITOR DISPLAY



****Note:** Line items numbers 4 and 10 refer to complete assemblies. The complete assemblies are not shown in this diagram. See page 17 for pictures of the complete assemblies.

Model 2955S Hillco Leveling System
For Serial Numbers 2955S-12001 thru 2955S-12999

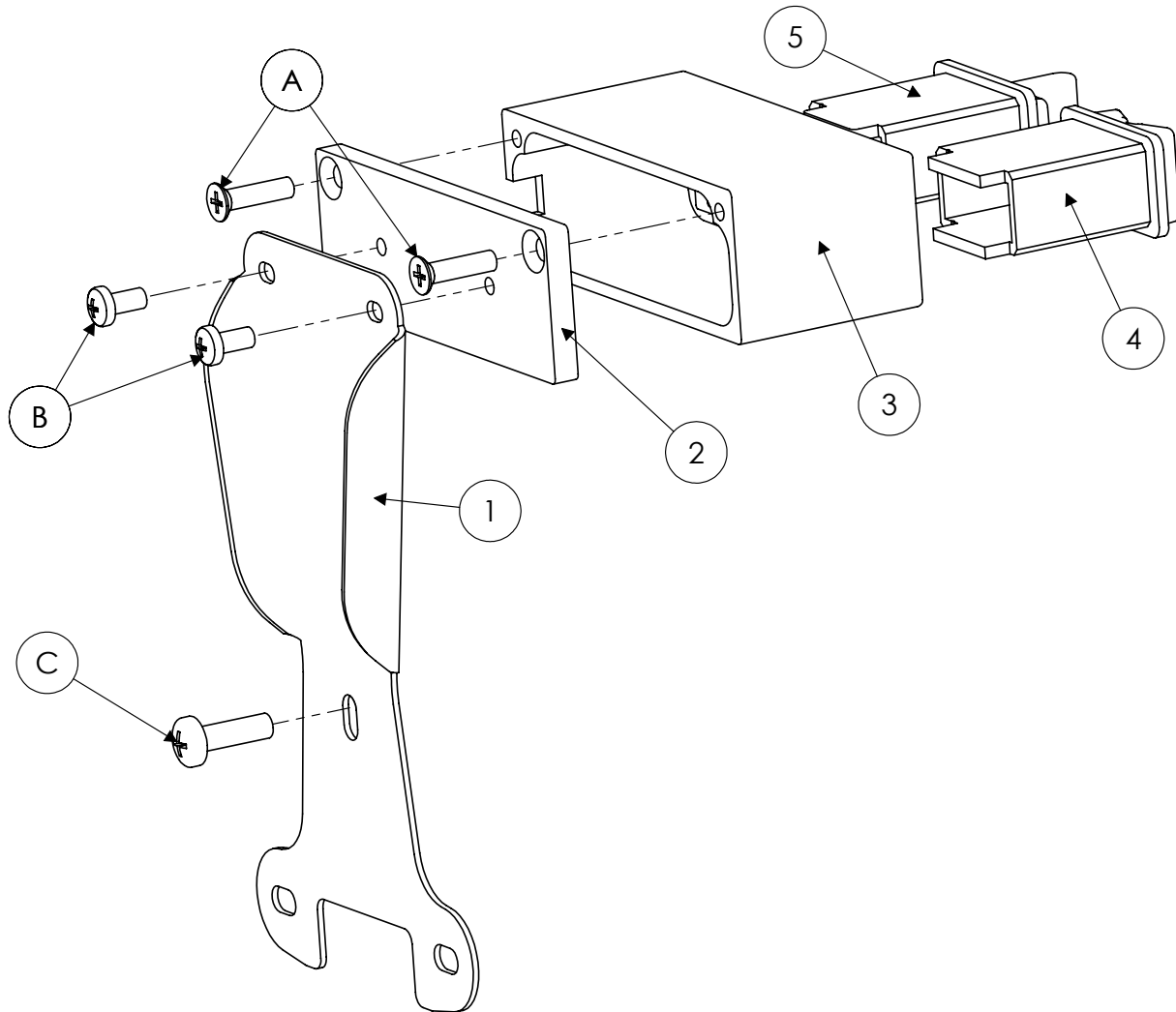
LEVELING BOX				
REF.	PART NO.	QTY.	PART NAME	NOTES
ASM	LA-265802	1	EM ASM, CONTROLLER	
1	LM-260301	1	EM BOX, CONTROLLER MOUNT	
2	LA-270322	1	EM MOUNT, CONTROL BOX	
3	LA-270093	1	CONTROLLER	
4	LA-261191	1	EM ASM, CLINOMETER	**SEE NOTE BELOW DIAGRAM
5	LM-255331	1	EM SHT, CLINOMETER MOUNT	
6	EC-100557	2	BODY, LIMIT SWITCH	
7	EC-100692	2	HEAD, LIMIT SWITCH STR PLUNGER	
8	EC-138781	7	STRAIN RELIEF, NYLON, BLK, 1/2 NPT	
9	EC-142121	5	STRAIN RELIEF NUT, 1/2" NYLON, BLK	
10	LA-265831	1	EM WIRE ASM, Y-CONNECTOR	**SEE NOTE BELOW DIAGRAM
NS	MC-135791	2	CLAMP, HOSE 7/8" R/C W/ 3/8 HOLE	ROUTING UNDER CHASSIS
NS	EC-142201	1	TOOL, EXTRACTION DEUTSCH	

LEVELING BOX FASTENERS				
REF.	PART NO.	QTY.	PART NAME	WHERE USED
A	F-PHM-#10C28	4	PHMS 10-24 X 1-3/4	LIMIT SWITCH MNT
A	F-HNF-#10C	4	HN 10-24, FLNG SERR	LIMIT SWITCH MNT
B	F-HC5-04C12	3	HC5 1/4-20 X 3/4	PVC BOX TO BRACKET
B	F-LW-04	3	LW 1/4	PVC BOX TO BRACKET
C	F-PHM-#6C06	2	PHMS #6-32 X 3/8	CLINOMETER MOUNT TO PLATE
D	F-PHM-04C24	2	PHMS 1/4-20 X 1-1/2	CONTROLLER TO PVC BOX
D	F-HNF-04C	2	FLHN 1/4-20, SERR	CONTROLLER TO PVC BOX
E	F-HCF-10M030F	4	FLHC-8.8 M10 X 1.50 X 30 PLT	BOX MOUNT TO OVERCARRIAGE
E	F-PHM-04C36	2	PHMS 1/4-20 X 2-1/4	GROUNDING PLATE MOUNTING
E	F-HNF-04C	2	FLHN 1/4-20, SERR	GROUNDING PLATE MOUNTING
F	F-PHM-#10C20	2	PHMS 10-24 X 1-1/4	GROUNDING PLATE GROUND
F	F-HNF-#10C	2	HN5 10-24, FLNG, SERR	GROUNDING PLATE GROUND
F	F-HN-#10C	3	HN5 10-24	GROUNDING PLATE GROUND
G	F-PHM-#10C16	1	PHMS 10-24 X 1	Y-CONNECTOR TO GROUND
H	F-PHM-#6C08	2	PHMS #6-32 X 1/2	PLUG HOLES ON SIDE OF BOX
H	F-HNF-#6C	2	FLHN #6-32 SERR.	PLUG HOLES ON SIDE OF BOX
NS	F-HNF-10ME	6	MM FLHN-10.9 M10 X 1.50 PLT	ROUTING UNDER CHASSIS
NS	F-TCH-06M012E	1	SCREW, SELF-TAPPING, M6 X 1.00 X 12	3/8" HOSE CLAMP

CAB CONTROL MONITOR				
REF.	PART NO.	QTY.	PART NAME	NOTES
ASM	LA-266031	1	EM ASM, CAB CONTROL MONITOR	
11	LA-265782	1	GRAPHICAL TERMINAL, S-D DP200	MOUNTING BRACKET, GASKET AND SCREWS, INCLUDED
12	LM-265501	1	EM MOUNT, DISPLAY	
13	LM-265511	1	EM MOUNT, DISPLAY SPACER	
14	EC-146531	1	Y-CONNECTOR, BLACK	
NS	EC-142101	1	CLAMP, HOSE 3/8" R/C W/ 3/8 HOLE	ELECTRICAL CABLE SUPPORT IN CAB
NS	EC-146541	1	PLUG, GRAY W/120 OHM RESISTOR	

CAB CONTROL MONITOR FASTENERS				
REF.	PART NO.	QTY.	PART NAME	NOTES
I	F-HCF-08M016E	2	FLHC-10.9 M8 X 1.5 X 16	GRAPHICAL TERMINAL MOUNTING
I	F-TCH-06M025E	2	SCREW, SELF-TAPPING, M6 X 1.00 X 25	GRAPHICAL TERMINAL MOUNTING
I	F-TCH-06M035E	2	SCREW, SELF-TAPPING, M6 X 1.00 X 35	GRAPHICAL TERMINAL MOUNTING
J	F-PHM-#10C08	1	PHMS 10-24 X 1/2	Y-CONNECTOR MOUNTING
J	F-HN-#10C	1	HN5 10-24	Y-CONNECTOR MOUNTING
K	EC-142101	1	CLAMP, HOSE 3/8" R/C W/ 3/8 HOLE	ELECTRICAL CABLE SUPPORT IN CAB
NS	EC-138781	2	STRAIN RELIEF, NYLON, BLK, 1/2 NPT	MOUNTED IN CAB FLOOR
NS	EC-142121	2	STRAIN RELIEF NUT, 1/2" NYLON, BLK	MOUNTED IN CAB FLOOR
NS	F-FWH-12	4	FW 3/4 HARDENED PLT	MOUNTED IN CAB FLOOR

REMOTE SWITCHES



REMOTE SWITCH COMPONENTS				
REF.	PART NO.	QTY.	PART NAME	NOTES
NS	LA-286391	1	EM ASM, REMOTE SWITCH BOX	
1	LP-286261	1	EM SHT, SWITCH MNT	
2	LS-286381	1	EM COVER, REMOTE SWITCH	
3	LS-286371	1	EM BOX, REMOTE SWITCH	
4	EC-150121	1	SWITCH, DPDT, ON-NONE-ON, W/ BLACK ROCKER	
5	EC-150031	1	SWITCH, DPDT, (ON)-OFF-(ON), W/ PADDLE ACTUATOR	

REMOTE SWITCH FASTENERS				
REF.	PART NO.	QTY.	PART NAME	WHERE USED
A	F-FHM-05M020F	2	FHMS M5 X 0.8 X 20	SECURES BOX COVER PLATE TO BOX
B	F-PHM-05M010F	2	PHMS M5 X 0.8 X 10	SECURES BOX TO MOUNTING PLATE
C	F-PHM-06M020F	1	PHMS M6 X 1.00 X 20	REPLACES TOP MONITOR MOUNTING BOLT
NS	EC-100017	1	WIRE TIE, 3/32 X 8	SECURE SWITCH CABLE
NS	MC-147781	2	CLAMP, 1/4" DOUBLE LOOP W/ 3/8 HOLE	SUPPORT SWITCH CABLE IN TOP OF CAB
NS	EC-100014	1.5"	HEAT SHINK, BLACK, 1/8	AT MONITOR WHERE RED WIRES CONNECT

ELECTRICAL CABLES



#1 LA-268261
EM CABLE ASM, LIMIT



#2 LA-255821
EM ASM, CLINOMETER



#3 LA-265831
EM WIRE ASM, Y-CONNECTOR



#4 LA-255644
EM ASM, BOX TO VALVE



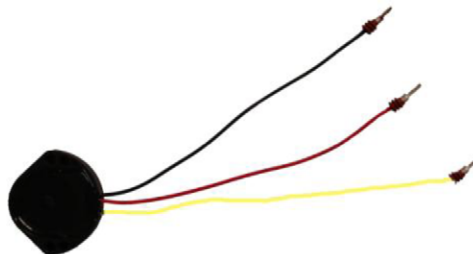
#5 LA-252462
EM CABLE ASM, MAX
LEVEL LIGHT



#6 LA-265772
EM CABLE ASM,
POWER & GROUND



#7 LA-265581
EM CABLE ASM, CAB
TO BOX



#8 LA-267621
EM ASM, TILT SENSOR
PATCH



#9 LA-263671 EM ALL CABLE
ASM, LEVELING MANIFOLD



#10 LA-260242 EM CABLE
ASM, TRIM SIGNAL



#11 LA-263681 EM ALL CABLE
ASM, LEVELING MANIFOLD

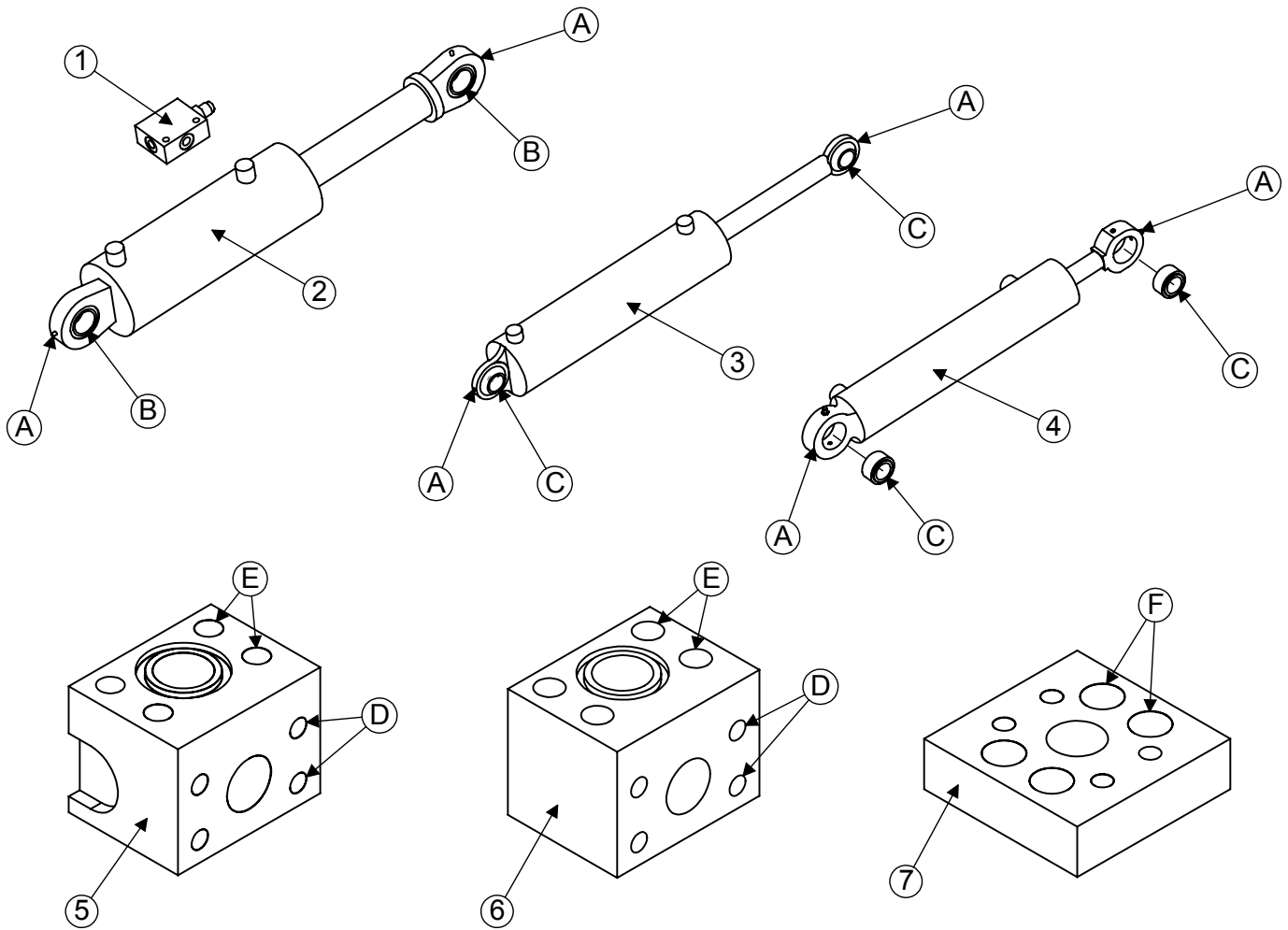


#12 LA-260222 EM CABLE
ASM, TRIM SIGNAL

Model 2955S Hillco Leveling System
For Serial Numbers 2955S-12001 thru 2955S-12999

ELECTRICAL CABLE ASSEMBLIES				
REF.	PART NO.	QTY.	PART NAME	DESCRIPTION
ALL COMBINES				
1	LA-268261	2	EM CABLE ASM, LIMIT SWITCH	
2	LA-255821	1	EM CABLE ASM, CLINOMETER	
3	LA-265831	1	EM WIRE ASM, Y-CONNECTOR	
4	LA-255644	1	EM CABLE ASM, BOX TO VALVE	
5	LA-252462	1	EM CABLE ASM, MAX LEVEL LIGHT	
6	LA-265772	1	EM CABLE ASM, POWER & GROUND	
7	LA-265581	1	EM CABLE ASM, CAB TO BOX	
8	LA-267621	1	EM ASM, TILT SENSOR PATCH	
NS	LA-286401	1	EM CABLE ASM, REMOTE SWITCH	
FOR COMBINES WHICH FALL WITHIN THE FOLLOWING SERIAL NUMBER BREAKS: 9560STS (705401-715300)				
9	LA-263671	1	EM ALL CABLE ASM, LEVELING MANIFOLD	
..	LA-263611	1	EM CABLE ASM, LEVELING MANIFOLD	<i>INCLUDED IN LA-263671</i>
..	LA-263601	1	EM CABLE ASM, DUMP SIGNAL	<i>INCLUDED IN LA-263671</i>
10	LA-260242	1	EM CABLE ASM, TRIM SIGNAL	
FOR COMBINES WHICH FALL WITHIN THE FOLLOWING SERIAL NUMBER BREAKS: 9560 STS (715301-)				
11	LA-263681	1	EM ALL CABLE ASM, LEVELING MANIFOLD	
..	LA-263611	1	EM CABLE ASM, LEVELING MANIFOLD	<i>INCLUDED IN LA-263681</i>
..	LA-263621	1	EM CABLE ASM, DUMP SIGNAL	<i>INCLUDED IN LA-263681</i>
12	LA-260222	1	EM CABLE ASM, TRIM SIGNAL	

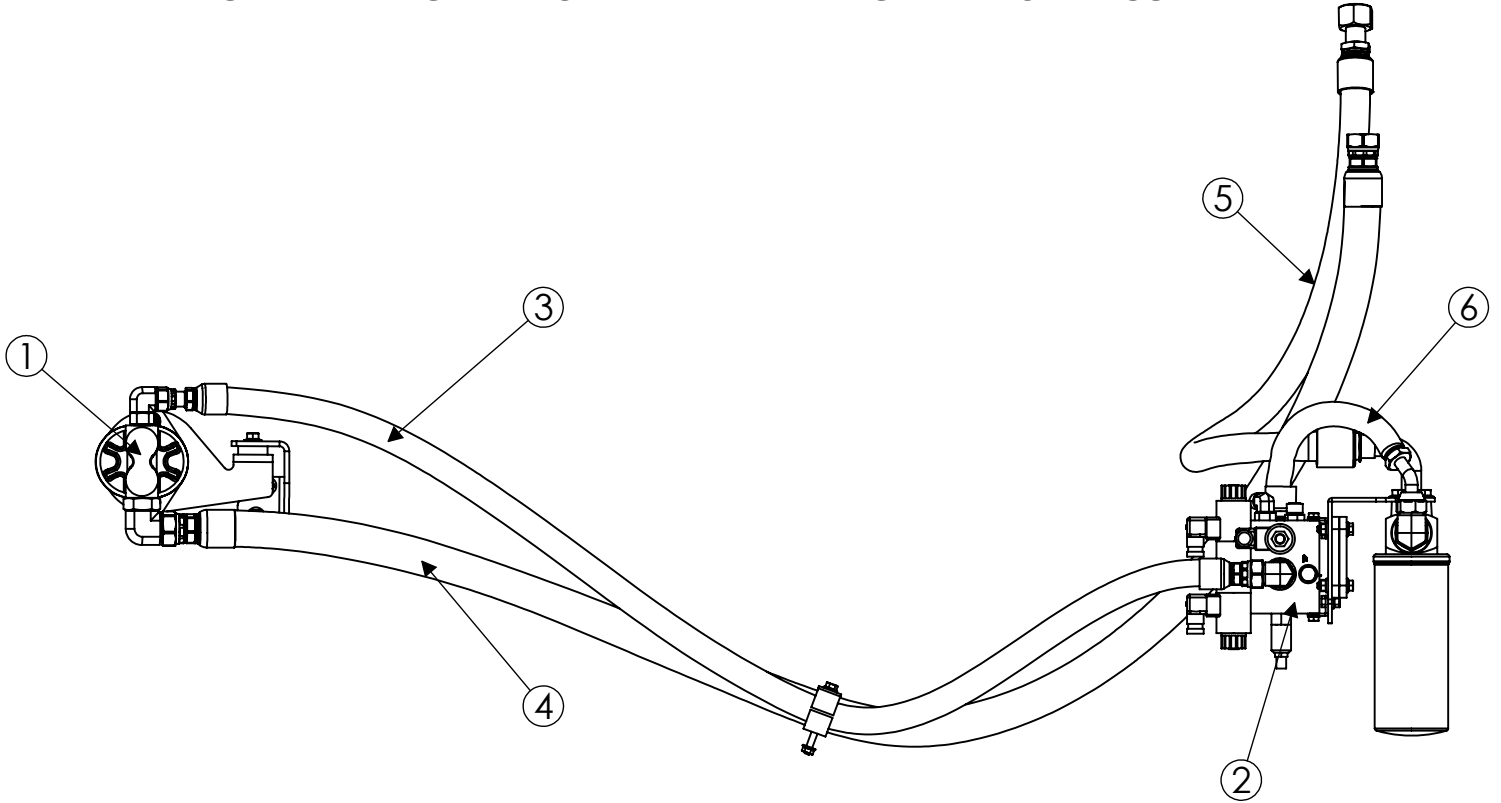
HYDRAULICS COMPONENTS



Model 2955S Hillco Leveling System
For Serial Numbers 2955S-12001 thru 2955S-12999

HYDRAULIC COMPONENTS				
REF.	PART NO.	QTY.	PART NAME	NOTES
1	HC-138901	2	VALVE, COUNTER BALANCE	
..	HC-139161	2	CARTRIDGE, COUNTERBALANCE VALVE	
..	HC-139171	2	BODY, COUNTERBALANCE VALVE	
NS	HC-140361	2	SEAL KIT, COUNTERBALANCE VALVE	
2	HC-140312	2	CYLINDER, MAIN LEVELING	
NS	HC-142451	2	SEAL KIT, MAIN LEVELING CYLINDER	
3	HC-140342	1	CYLINDER, MASTER	
NS	HC-134201	1	SEAL KIT, MASTER CYLINDER	
4	HC-138582	1	CYLINDER, SLAVE	
NS	HC-141281	1	SEAL KIT, SLVE CYLINDER	
5	LM-261081	1	HM BLOCK, CODE 62 90°	MOUNTS TO BOTTOM PORT ON HYDRO MOTOR
6	HC-143361	1	CODE 62/CODE 62 ELBOW	MOUNTS TO BOTTOM PORT ON HYDRO MOTOR
7	HC-143371	1	CODE 62 90° ROTATIONAL ADAPTER	MOUNTS TO BOTTOM PORT ON HYDRO MOTOR
HYDRAULIC FASTENERS				
A	F-SSS-04F04	8	SET SCREW, 1/4-28 X 1/4	ALL CYLINDERS
B	MC-150881	4	1 3/8" BEARING, SEALED SPHERICAL	
C	MC-150871	4	1" BEARING, SEALED SPHERICAL	
D	F-HC8-07C24	8	HC8 7/16-14 X 1-1/2	CODE 62 SPLT FLANGE
E	F-HC8-07C52	8	HC8 7/16-14 X 3-1/4	THESE FASTENERS COME WITH ELBOWS
E	F-LWH-07	8	LW 7/16 HD	THESE FASTENERS COME WITH ELBOWS
F	F-SHC-07C20	4	SHCS 7/16-14 X 1-1/4	THESE FASTENERS COME WITH ROTATIONAL ADAPTER
F	F-LWHC-07	4	LW 7/16 HD HIGH COLLAR	THESE FASTENERS COME WITH ROTATIONAL ADAPTER

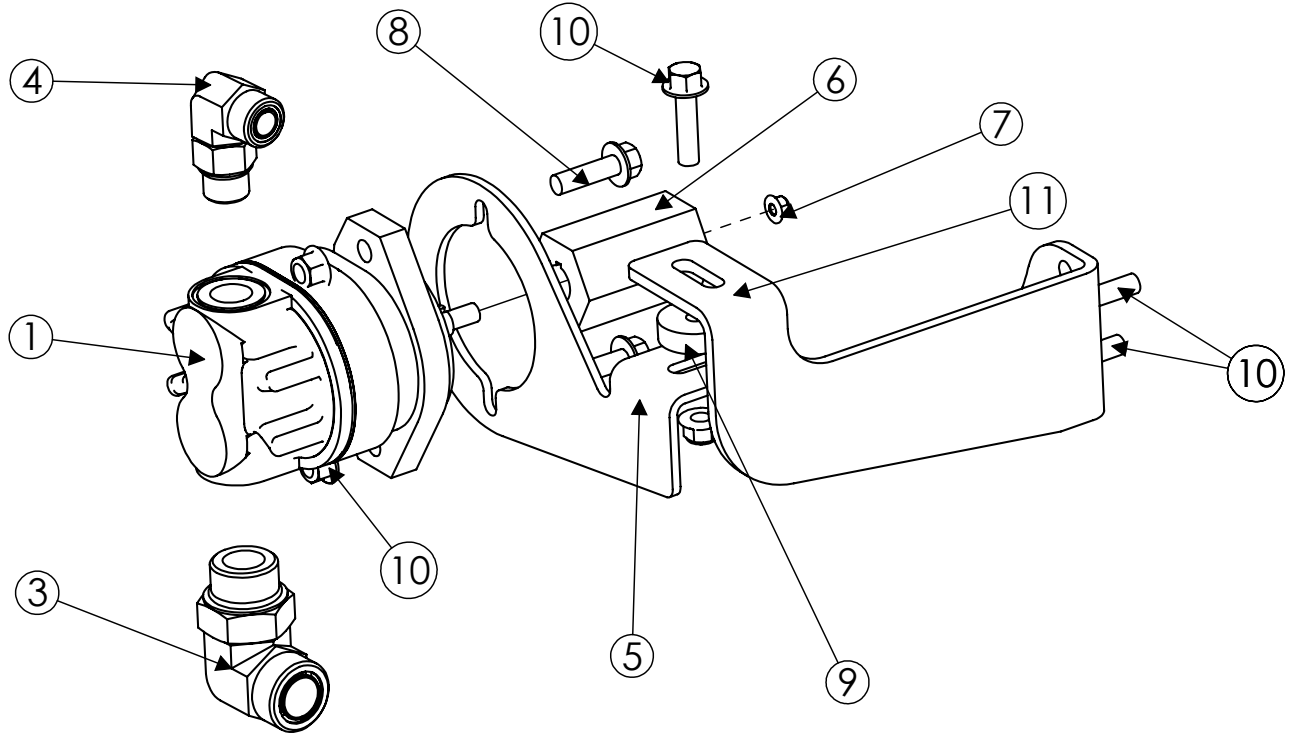
STANDARD GEAR PUMP AND LEVELING MANIFOLD ASSEMBLY



STANDARD GEAR PUMP OPTION COMPONENTS				
REF.	PART NO.	QTY.	PART NAME	NOTES
1	LA-276581	1	STANDARD GEAR PUMP ASSEMBLY	SEE PAGE 22
2	LA-276851	1	LEVELING MANIFOLD AND FILTER ASSEMBLY	SEE PAGE 23
3	LA-276573	1	3/4" 100R2 HOSE 75 IN #10 FORS X #12 FORS	PRESSURE FROM PUMP TO MANIFOLD
4	LA-276601	1	1" 100R16 (1M2T) HOSE 72 IN #16 FORS X #16 FORS	PUMP SUCTION
5	LA-263571	1	1" 100R1 HOSE 36" #16 FORS X #16 FORS 90°	FILTER HOUSING OUTLET TO RESERVOIR
6	LA-263562	1	3/4" 100R2 HOSE 30" #12 FORS X #12 FORS 45°	MANIFOLD "T" PORT TO FILTER HOUSING INLET

Model 2955S Hillco Leveling System
 For Serial Numbers 2955S-12001 thru 2955S-12999

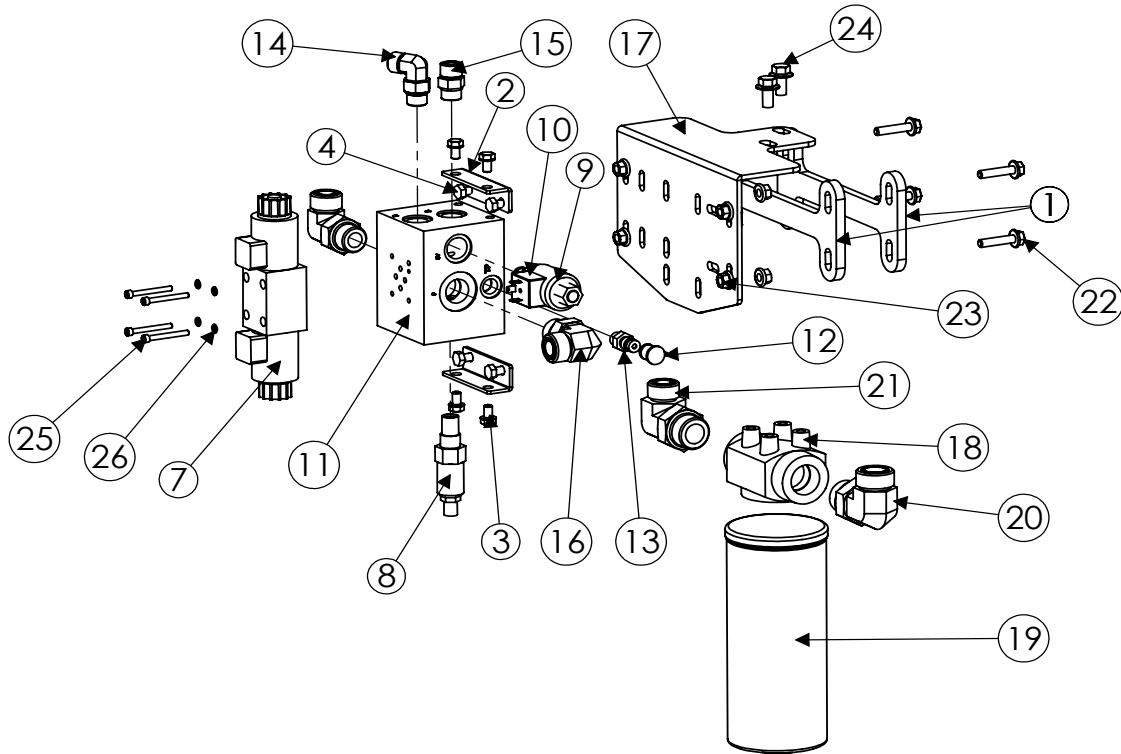
STANDARD GEAR PUMP ASSEMBLY



REF	PART NO.	QTY.	PART NAME
1	HC-148181	1	HYDRAULIC PUMP ASSY, REEL DRIVE
2	F-HCF-10M040E	3	SCREW, FLANGED HEX CAP, 10 X 40
3	HA-L-16MF16MO	1	#16 MORB X #16 MORS 90°
4	HA-L-10MF10MO	1	#10 MORS X #10 MORB 90°
5	LP-276551	1	HM PLT, MOUNT, PUMP ANTI-ROTATION
6	LM-276541	1	HM HEX, COUPLER, GEAR PUMP
7	F-HNSF-06C	1	NUT, FLANGED STOVER, 6M, GR8
8	F-HCF-10M035E	2	SCREW, FLANGED HEX CAP, 10 X 35
9	MC-148341	1	PAD-BUMPER
10	F-HNFS-10ME	3	NUT, FLANGED STOVER HEX, 10M
11	LP-276561	1	HM PLT, ANTI-ROTATION

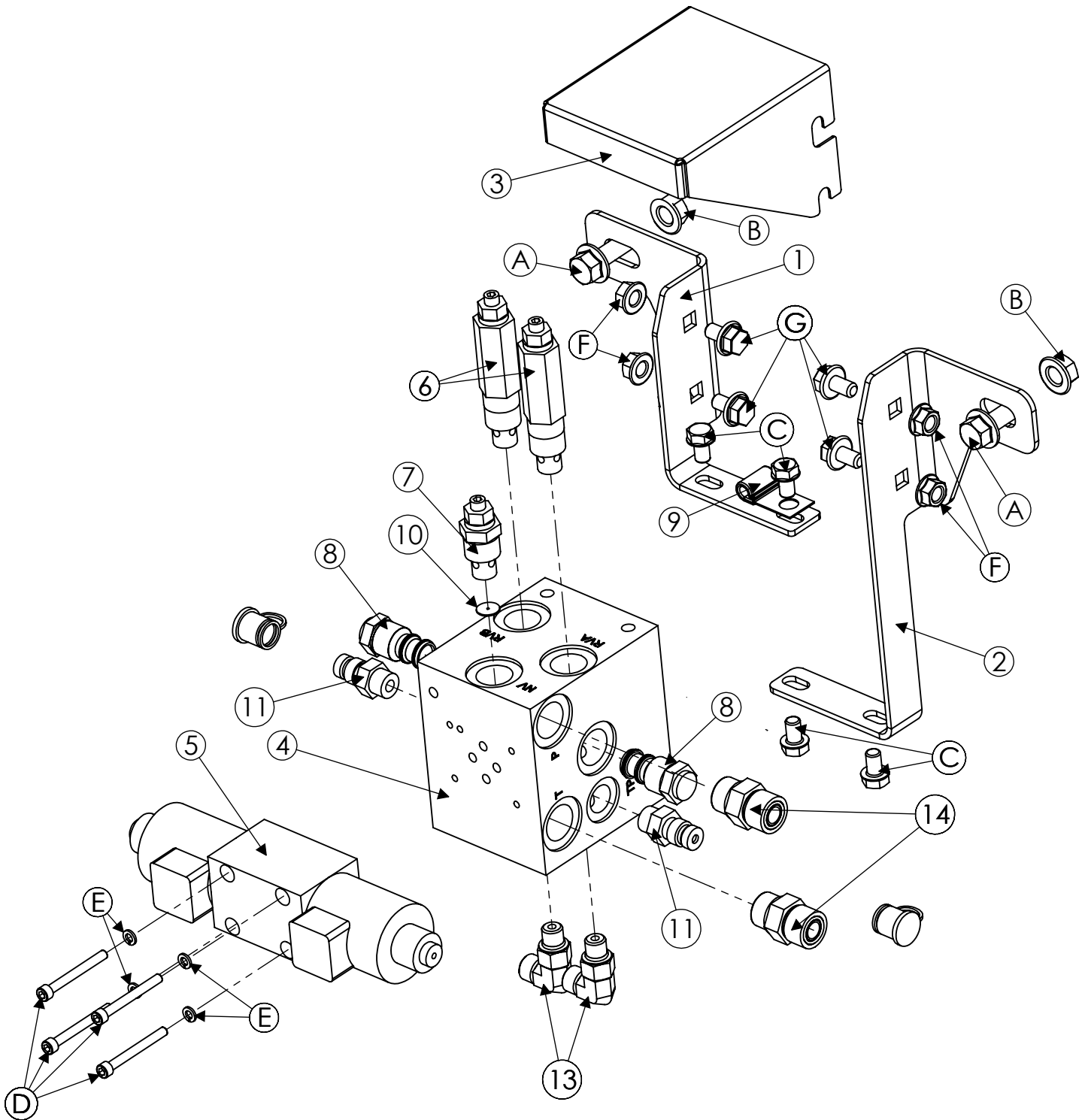
Model 2955S Hillco Leveling System
For Serial Numbers 2955S-12001 thru 2955S-12999

GEAR PUMP LEVELING MANIFOLD



REF.	PART NO.	QTY.	DESCRIPTION
1	LP-263321	2	PLATE, BACKING
2	LP-267511	2	HM, PLT, MOUNT, MANIFOLD
3	F-HCF-05C08	4	SCREW, FLANGED HEX CAP, GR5
4	F-HC-8M016F	4	HC-8.8 M8 X 1.25 X 16 PLT
5	F-SHC-#10C28	4	SCREW, SOCKET CAP, GR5
6	F-LW-#10	4	WASHER, LOCK, SPLIT RING
7	HC-140411	1	VALVE, PRO DIRECTIONAL, D03
8	HC-142992	1	CARTRIDGE, RELIEF VALVE, PILOT
9	HC-146372	1	COIL, DUMP VALVE
10	HC-146362	1	CARTRIDGE, DUMP VALVE
11	LM-146353	1	MANIFOLD, CUSTOM LEVELING
12	HC-144001	1	COVER, DUST
13	HC-143991	1	COUPLER, QUICK-CONNECT HYD
14	HA-L-8MF8MO	1	#8 MORS X #8 MORB 90°
15	HA-S-8MF8MO	1	#8 MORS X #8 MORB STRAIGHT
16	HA-L-12MF12MO	2	#12 MORB X #12 MORS 90°
17	LP-263312	1	MOUNT, MANIFOLD
18	FILTERHEAD	1	JOHN DEERE PART NO. AH227847
19	FILTER	1	JOHN DEERE PART NO. AH128449
20	HA-L-16MF16MO	1	#16 MORB X #16 MORS 90°
21	HA-L-16MO12MF	1	#16 MORB X #12 MORS 90°
22	F-HCF-08M040E	4	SCREW, FLANGED HEX CAP, 10.9
23	F-HNF-8ME	8	NUT, FLANGED HEX, 10.9
24	F-HCF-10M020E	2	SCREW, FLANGED HEX CAP, 10.9
25	F-SHC-#10C-52	4	SOCKET HEAD CAP SCREW
26	F-LW-#10	4	WASHER, LOCK, SPLIT RING

HEADER TRIM MANIFOLD



Model 2955S Hillco Leveling System
For Serial Numbers 2955S-12001 thru 2955S-12999

TRIM MANIFOLD COMPONENTS				
REF.	PART NO.	QTY.	PART NAME	NOTES
ASM	LA-263723	1	MANIFOLD ASM, TRIM	
1	LP-273881	1	HM PLT, MANIFOLD MOUNT (LEFT)	
2	LP-273871	1	HM PLT, MANIFOLD MOUNT (RIGHT)	
3	LM-286231	1	HM SHTM MANFOLD SHIELD	
4	HC-145441	1	MANIFOLD, CUSTOM TRIM	
5	HC-143011	1	VALVE, DIRECTIONAL CONTROL, BANG/BANG	
6	HC-145431	2	RELIEF, POPPET DIRECT ACTING	SET AT 1900 +/- 100PSI
7	HC-145501	1	VALVE, NEEDLE	
8	HC-145511	2	PILOT OPERATED CHECK	
9	HC-146661	1	CLAMP, COATED J	JD# T32231
10	LM-265561	1	ORIFICE, NEEDLE VALVE	
11	HC-143991	2	HYDRAULIC QUICK-CONNECT COUPLER AH125760	
12	HC-144001	2	COVER, DUST	JD# 77175
13	HA-L-4MF4MO	2	#4 MORB X #4 MORS 90°	"A" AND "B" PORTS
14	HA-S-8MF8MO	2	#8 MORB X #8 MORS STRIAGHT	"P" AND "T" PORTS
TRIM MANIFOLD FASTENERS				
REF.	PART NO.	QTY.	PART NAME	WHERE USED
A	F-HCF-10M030E	2	FLHC 10.9 M10 X 1.50 X 30 PLT	TRIM MANIFOLD MOUNT
B	F-HNF-10ME	2	FLHN-10.9 M10 X 1.50 PLT	TRIM MANIFOLD MOUNT
C	F-HCF-05C08	4	FLHC 5/16-18 X1/2	MANIFOLD TO MANIFOLD MOUNT
D	F-SHC-#10C28	4	SHCS 10-24 X 1-3/4	DIRECTIONAL CONTROL TO MANIFOLD
E	F-LW-#10	4	LW #10	DIRECTIONAL CONTROL TO MANIFOLD
F	F-HNF-08ME	4	NUT, FLANGED HEX, METRIC	SHIELD
G	F-HCF-08M016E	4	FLHC-10.9 M8 X 1.5 X 16	SHIELD

Model 2955S Hillco Leveling System
For Serial Numbers 2955S-12001 thru 2955S-12999

HYDRAULIC HOSES

REF.	PART NO.	QTY.	PART NAME	WHERE USED
LEVELING HOSES				
NS	LA-141081	2	3/8" 100R2 31" #6 FORS X #6 FORS	LEFT OR RIGHT POCV#2 TO RIGHT/LEFT ROD FRONT
NS	LA-141093	2	1/4" 100R2 5-7/8" #6 FORS X #6 FORS 90°	LEFT POCV #3 TO LEFT ROD FRONT
NS	LA-256541	1	1/2" 100R2 252" #8 FORS X #6 FORS	"A" PORT TO ROD END
NS	LA-256551	1	1/2" 100R2 252" #8 FORS X #6 FORS 90°	"B" PORT TO MAIN LEV BASE
NS	LA-263542	1	1/2" 100R2 252" #8 FORS 90° X #6 FORS	LEVELING VALVE PORT "A" TO LEFT MAIN LEV ROD
NS	LA-263551	1	1/2" 100R2 252" #8 FORS X #6 FORS 90°	LEVELING VALVE PORT "B" TO LEFT MAIN LEV CYL POCV #2
PUMP & MANIFOLD HOSES				
NS	LA-256531	1	3/4 100R12 46" #10 FORS 90° X #12 FORS	PUMP TO "P" PORT
NS	LA-143681	1	1" 100R16 (1M2T) 42" #16 FORS X #16 FORS	SUCTION HOSE
NS	LA-256562	1	3/4" 100R1 30" #12 FORS X #12 FORS 45°	"T" PORT TO FILTER INLET
HYDROSTAT HOSES				
NS	LA-141502	2	1 100R15 73-1/2" CODE 62 SPLT FLNG 90° SHORT DROP X CODE 62 SPLT FLNG STR	HYDROSTAT FRONT & REAR HOSES
NS	LA-143551	1	3/4 100R1 HOSE 70" #12 MORS X #12 FORS	HYDRO MOTOR CASE DRAIN
NS	HC-101843	2	CODE 62 SLT FLNG CONNECTOR KIT WITH O-RINGS	
GREASE HOSES				
NS	LA-141131	1	3/16 R1 GREASE HOSE 53" 1/8 MPT X 1/8 MPT	RH MAIN BASE EO BH#2
NS	LA-140101	1	3/16 R1 GREASE HOSE 48-1/2" 1/8 MPT X 1/8 MPT	MAIN PVT TO BH #1
NS	LA-141151	1	3/16 R1 GREASE HOSE 72" 1/8 MPT X 1/8 MPT	LH MAIN BASE TO BH #3
DROP AXLE HOSES				
NS	LA-273861	1	3/8" 100R2 15" #6 FORS X #6 MORS	EXTENDS RIGHT STEERING HOSE
NS	LA-273461	1	3/8" 100R2 15" #8 FORS X #8 MORS	EXTENDS LEFT STEERING HOSES
BRAKE HOSES				
NS	LA-130371	2	#4 TITE FLEX 31" #4 FORS X #4 MORS	
NS	HA-133131	2	TEFLON O-RING	
HEADER LIFT CYLINDER HOSES				
NS	LA-143801	1	1/2" 100R2 HOSE 38" #8 FORS X #8 FORS	HEADER LIFT CYLINDERS
TRIM HOSES				
NS	LA-141102	1	1/4" 100R2 94" #4 FORS X #4 FORS	MASTER BASE TO TEE THAT CONNECTS TO HOSE LA-139132
NS	LA-141102	1	1/4" 100R2 94" #4 FORS X #4 FORS	MASTER ROD TO TEE THAT CONNECTS TO HOSE LA-139122
NS	LA-139113	1	1/4" 100R2 54" #4 FORS X #4 FORS	TRIM PORT "A" TO TEE CONNECTED TO HOSE LA-143481
NS	LA-139113	1	1/4" 100R2 54" #4 FORS X #4 FORS	TRIM PORT "B" TO TEE CONNECTED TO HOSE LA-143471
NS	LA-139133	2	1/4" 100R2 235" #4 FORS X #4 FORS	SLAVE BASE TO TEE CONNECTED TO HOSE LA-143471
NS	LA-263411	2	1/4" 100R2 55" #4 FORS X #4 FORS 90°	HIC TO "P" & "T" PORTS TRIM MANIFOLD
FOR 9560 STS COMBINES WITH SERIAL NUMBERS (-715300)				
NS	LA-143831	1	1/2" 100R2 HOSE 25" #8 FORS X #10 FORS 90°	PRIORITY VALVE #3 TO Z STACK VALVE

(continued on next page)

Model 2955S Hillco Leveling System
For Serial Numbers 2955S-12001 thru 2955S-12999

HYDRAULIC HOSES CONTINUED

STANDARD GEAR PUMP & MANIFOLD HOSES				
REF.	PART NO.	QTY.	PART NAME	WHERE USED
NS	LA-263531	1	3/4" 100R12 46" #10 FORS 90° X #12 FORS	PRESSURE HOSE FROM PUMP TO "P" PORT
NS	LA-263571	1	1" 100R1 36" #16 FORS X #16 FORS 90°	FILTER HOUSING OUTLET TO RESERVOIR
NS	LA-143681	1	1" 100R16 (1M2T) 42" #16 FORS X #16 FORS	SUCTION HOSE FROM RUN END OF BTM TEE TO PUMP
PFC PUMP HOSES				
NS	LA-133331	1	3/16 R1 GREASE 10" 1/8 MPT X 1/8 FPT	OHLA BREATHER
NS	HC-145861	1	1/2" HEATER HOSE 2-3/4" (NO ENDS) SAE20R3D2	IDLER ASM
NS	LA-263571	1	1" 100R1 HOSE 36" #16 FORS X #16 FORS 90°	RETURN LINE FROM FILTER OUTLET TO RESERVOIR
NS	LA-263562	1	3/4" 100R1 HOSE 30" #12 FORS X #12 FORS 45°	MANIFOLD "T" PORT TO FILTER INLET
NS	LA-134872	1	3/8" 100R1 HOSE 72" #6 FORS X #6 FORS 90°	PUMP CASE DRAIN TO RESERVOIR
FOR COMBINES WHICH FALL WITHIN THE FOLLOWING SERIAL NUMBER BREAKS: 9560STS (-715300);				
NS	LA-134822	1	1/4" 100R2 HOSE 63" #4 FORS X #4 FORS 90°	LOAD SENSE LINE
NS	LA-134832	1	3/4" 100R12 HOSE 54" #12 FORS X #12 FORS	PRESSURE FROM PUMP TO MANIFOLD
NS	LA-134862	1	1" 100R16 (1M2T) 71" #16 FORS X #16 FORS 90°	PUMP SUCTION
FOR COMBINES WHICH FALL WITHIN THE FOLLOWING SERIAL NUMBER BREAKS: 9560STS (715301-); AND ALL 70 SERIES				
NS	LA-145721	1	1/4" 100R2 79" #4 FORS X #4 FORS 90°	LOAD SENSE LINE
NS	LA-145731	1	3/4" 100R12 70" #12 FORS X #12 FORS	PRESSURE FROM PUMP TO MANIFOLD
NS	LA-145741	1	1" 100R16 (1M2T) 62" #16 FORS X #16 FORS 90°	PUMP SUCTION

Model 2955S Hillco Leveling System
For Serial Numbers 2955S-12001 thru 2955S-12999

HYDRAULIC ADAPTERS

REF.	PART NO.	QTY.	PART NAME	WHERE USED
MAIN CYLINDER ADAPTERS				
NS	HA-L-6FF6MF	3	#6 FORS X #6 MORS 90°	LEFT AND RIGHT LEV CYL ROD
NS	HA-K-6MF6MO	2	#6 MORB X #6 MORS BRANCH TEE	LEFT AND RIGHT LEV CYL ROD
NS	HA-M-6FF6MF	2	#6 FORS X #6 MORS SWIVEL NUT RUN TEE	LEFT MAIN LEV CYL ROD/ LEFT POCV #2
NS	HA-L-6MF6MO	4	#6 MORS X #6 MORB 90°	POCV #2,#3 LEFT & RIGHT
NS	HA-L-6MO6MO	2	#6 MORB X #6 MORB 90°	POCV #1 LEFT AND RIGHT LEV CYL BASE
NS	HA-L-6FF6MF	1	#6 MORS X #6 FORS 90°	RIGHT LOWER POCV #2
MASTER AND SLAVE CYLINDER ADAPTERS				
NS	HA-L-4MF6MO	2	#4 MORS X #6 MORB 90°	MASTER CYLINDER ROD AND BASE
NS	HA-L-4MF6MO	2	#4 MORS X #6 MORB 90°	SLAVE CYLINDER ROD AND BASE
NS	HA-Y-4MF4MF	2	#4 MORS UNION TEE	WHERE SLAVE AND MASTER LINES JOIN
HEADER LIFT CYLINDER ADAPTERS				
NS	HA-Q-8FF8MF	1	#8 ORS STRAIGHT THREAD BRANCH TEE	LEFT HEADER LIFT CYLINDER
NS	HA-L-8MF8MO	1	#8 MORB X #8 MORS 90°	RIGHT HEADER LIFT CYLINDER
NS	HA-L-10FF10MF	1	#10 FORS X #10 MORS 90	USED TO EXTEND HDR LIFT HOSES
NS	HA-L-12FF12MF	1	#12 MORS X #12 FORS 90	USED TO EXTEND HDR LIFT HOSES
GREASE FITTING ADAPTERS				
NS	HA-S-2FP2MN	3	1/8" NPSM X 1/8" FPT BULKHEAD CONNECTOR	GREASE BULKHEAD MOUNT
NS	HA-NJ-2FN	3	1/8" NPSM BULKHEAD LOCKNUT	BULKHEAD CONNECTOR
NS	HC-138011	3	1/4-28 STRAIGHT ZERK	ALL GREASE LINES
NS	HA-L-2FP2MP	1	1/8 NPT 90 STREET EL	MAIN PIVOT PIN
NS	HC-135771	2	1/4-28 MALE X 1/8 FPT 90°	MASTER AND MAIN LEV CYL BASE
RESERVOIR ADAPTERS				
NS	HA-L-16MF16MO	1	#16 MORB X #16 MORS 90°	SUCTION PORT
NS	HA-M-16FF16MF	1	#16 FORS X #16 MORS SWIVEL NUT RUN TEE	SUCTION PORT
TRIM ADAPTERS				
	LA-265371	2	HA-S-4MF4MO	ADAPTER, HIC MANIFOLD, MOD
NS	HA-S-8FF4MF	2	#8 FORS X #4 MORS REDUCER	"P" & "T" PORTS OF TRIM
TRIM MANIFOLD ADAPTERS				
NS	HA-L-4MF4MO	2	#4 MORB X #4 MORS 90°	"A" AND "B" PORTS TRIM MANIFOLD
NS	HA-S-8MF8MO	2	#8 MORB X #8 MORS STRAIGHT	"P" AND "T" PORTS TRIM MANIFOLD
PUMP ADAPTERS				
NS	HA-S-16MF16MO	1	#16 MORB X #16 MORS STR	MIDDLE PUMP SUCTION PORT
NS	HA-M-10MF10MO	1		PRESSURE PORT
RETURN FILTER HOUSING ADAPTERS				
NS	HA-L-12MF16MO	1	#16 MORB X #12 MORS 90°	INLET PORT ON FILTER HOUSING
NS	HA-L-16MF16MO	1	#16 MORB X #16 MORS 90°	OUTLET PORT ON FILTER HOUSING
MANIFOLD ADAPTERS				
NS	HA-L-12MO12MO	1	#12 MORB X #12 MORB 90°	"P" PORT & #2 PORT ON PRIORITY VALVE
NS	HA-L-12MF12MO	1	#12 MORB X #12 MORS 90°	"P" PORT
NS	HA-S-8MF8MO	2	#8 MORB X #8 MORS STRAIGHT	"A" LEVELING PORT
NS	HA-L-8MF8MO	1	#8 MORB X #8 MORS 90°	"B" LEVELING PORT
FOR COMBINES WHICH FALL WITHIN THE FOLLOWING SERIAL NUMBER BREAKS: 9560 STS (715301-)				

(continued on next page)

Model 2955S Hillco Leveling System
For Serial Numbers 2955S-12001 thru 2955S-12999

HYDRAULIC ADAPTERS CONTINUED

REF.	PART NO.	QTY.	PART NAME	WHERE USED
OPTIONAL ADAPTERS				
NS	HA-E-6MF	1	#6 MORS PLUG	USED IN JD CM HOSES IF COMBINE ALREADY HAS CM
NS	HA-E-4MF	1	#4 MORS PLUG	USED IN JD CM HOSES IF COMBINE ALREADY HAS CM
HYDRAULIC RESIVOIR ADAPTERS				
NS	HA-L-16MF16MO	1	#16 MORB X #16 MORS 90°	SUCTION PORT ON RESERVOIR (POINTED DOWN)
NS	HA-M-16FF16MF	2	#16 ORS SWIVEL NUT RUN TEE	CONNECTED TO 90° ADAPTER ON SUCTION PORT
PFC PUMP OPTION ADAPTERS				
NS	HA-S-12MO16MF	1	#12 MORB X #16 MORS STR.	PUMP SUCTION
NS	HA-L-16FF16MF	1	#16 MORS X #16 FORS 90°	ATTACHED TO HA-S-12MO16MF
NS	HA-L-12MF10MO	1	#10 MORB X #12 MORS 90°	PUMP PRESSURE
NS	HA-L-4MF4MO	1	#4 MORB X #4 MORS 90°	PUMP LOAD SENSE
NS	HA-L-6MF6MO	1	#6 MORB X #6 MORS 90°	PUMP CASE DRAIN
NS	HC-145001	1	1/8" PIPE STREET ELBOW	OHLA BREATHER PORT
MIDWEST OPTION ADAPTERS				
NS	HA-L-16MF16MO	1	#16 MORB X #16 MORS 90°	SUCTION PORT PUMP
NS	HA-T-10MF10MO	1	#10 MORS X #10 MORB STR THREAD RUN TEE	PRESSURE PORT
NS	LA-263651	1	HM ORIFICE ASM, PUMP ASM	MIDDLE LEG OF TEE
PRO-DRIVE OPTION ADAPTERS				
NS	HA-L-12MF12FF	1	#12 FORS X #12 MORS 90°	PROPORTIONATOR MOTOR TO SENSOR
NS	HA-L-6FP6MP	1	3/8 MPT 90° STREET EL	TURNS DR VERTICAL
NS	HA-F-16FF16MF	1	#16FORS X #16 MORS 45°	SUCTION AT PUMP
NS	HA-L-12MF12FF	1	#12 FORS X #12 MORS 90°	PROPORTIONATOR PUMP TO FILTER
NS	HA-L-6FF6MF	1	#6 FORS X #6 MORS 90°	EXTENDS LUBE LINE PRO-DRIVE
NS	HA-L-8FF8MF	1	#8 FORS X #8 MORS 90°	EXTENDS REAR FILTER LINE
NS	HA-S-16MF20MO	1	#20 MORB X #16 MORS STRAIGHT	SUCTION AST PUMP
NS	HA-D-12MO12MF	1	#12MORS X #12MORB 90° EXTRA LONG DROP	RETURN LINE OF MOTOR
COMBINES WITH CONTOUR MASTER				
NS	HA-E-6MF	1	#6 MORS PLUG	CONTOUR MASTER HOSES
NS	HA-E-4MF	1	#4 MORS PLUG	CONTOUR MASTER HOSES

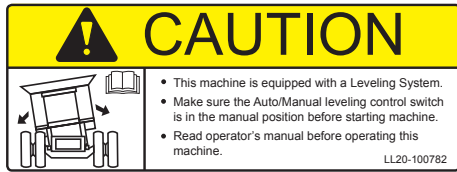
MISCELLANEOUS



1) LL-133741



2) LL-141301



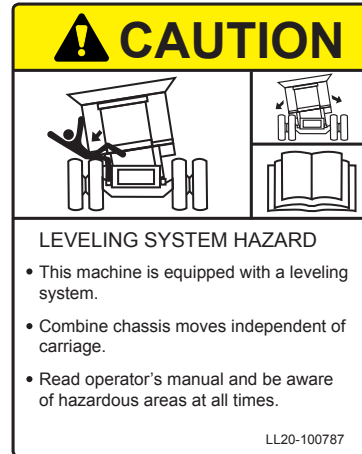
3) LL20-100782



5) LL20-100784



4) LL20-100783



7) LL20-100787



6) LL20-100786



8) LL20-100788



9) LL-143621

Model 2955S Hillco Leveling System
For Serial Numbers 2955S-12001 thru 2955S-12999

DECALS AND LITERATURE				
REF.	PART NO.	QTY.	PART NAME	DESCRIPTION
1	LL-133741	1	LABEL, GREASE 50 HRS	OC BULKHEAD
1	LL-133741	2	LABEL, GREASE 50 HRS	RIGHT & LEFT MAIN LEV CYL BOTTOM
1	LL-133741	1	LABEL, GREASE 50 HRS	MASTER CYLINDER ROD
2	LL-141301	2	DECAL, SIDEHILL LEVELING SYSTEM	SIDE OF COMBINE
3	LL20-100782	1	CAUTION LEVELING SYSTEM CAB	WINDOW IN CAB
4	LL20-100783	2	DANGER, CRUSHING HAZARD	RIGHT & LEFT UNDERCARRIAGE
4	LL20-100783	2	DANGER, CRUSHING HAZARD	SIDES OF DROP AXLE ASSEMBLY
5	LL20-100784	2	DECAL, DANGER PINCH POINT	RIGHT & LEFT UPPER TRANS FACE PLT
6	LL20-100786	1	WARNING ELECTRICAL CRUSHING HAZARD	FRONT OF ELECTRICAL CONTROL BOX
7	LL20-100787	1	CAUTION - LEVELING SYSTEM HAZARD	ON LADDER PLATFORM
8	LL20-100788	1	DANGER - HYDRAULIC HAZARD	ON SIDE OF COMBINE ABOVE THE HYDRAULIC MANIFOLD
8	LL20-100788	2	DANGER - HYDRAULIC HAZARD	1 - EACH MAIN CYLINDER
9	LL-143621	2	DANGER, AVOID CRUSHING INJURY	IN AREA NEAR SAFETY STOP STORAGE LOCATION
NS	LL-147651	1	LABEL, FEMA MEMBER TAG	NEAR SERIAL NUMBER TAG
NS	LA-255961	1	TAG, SERIAL NUMBER	
NS	LL-274401	1	LIMIT SWITCH WARNING LABEL	INSTALLED ON 1 LIMIT SWITCH
NS	EC-150131	1	DECAL, REMOTE SWITCH BOX	
NS	LL-289641	1	CM LABEL, MECHANICAL CYLINDER STOP	
NS	D-110505CMA01	1	MANUAL, PARTS	
NS	D-040820CLA02C	1	MANUAL, OPERATORS	
NS	D-050611SLR01	1	WARRANTY REGISTRATION CARD	
HOSE CLAMPS AND FASTENERS				
REF.	PART NO.	QTY.	PART NAME	NOTES
NS	MC-137521	3	TANDEM CLAMPING HALVES BEHRINGER (PAIR)	HYDROSTAT HOSES
NS	MC-137531	3	COVER PLATE 5/16" HOLE (BEHRINGER)	HYDROSTAT HOSES
NS	LP-261091	3	HM PLT, CLAMP SPACER	
NS	F-HC-08M35F	2	HC-8.8 M8 X 1.25 X 35	BEHRINGER CLAMP FOR HYDRO HOSES
NS	F-HCF-08M090E	2	FLHC-10.9 M8 X 1.25 X 90 PLT	BEHRINGER CLAMP FOR HYDRO HOSES
NS	F-HCF-08M100E	2	FLHC-10.9 M8 X 1.25 X 100 PLT	BEHRINGER CLAMP FOR HYDRO HOSES
NS	F-HCF-08M120E	1	FLHC-10.9 M8 X 1.25 X 120 PLT	BEHRINGER CLAMP FOR HYDRO HOSES
NS	F-HNF-08ME	5	FLHN- 10.9 M8 X 1.25	BEHRINGER CLAMP FOR HYDRO HOSES
NS	MC-135631	2	CLAMP, HOSE 1-1/2" R/C 3/8" HOLE	CLAMP, GREASE LINES/ TRIM HOSES
NS	HC-142061	1	SLEEVE, ABRASION, SHIFT CABLE 36"	HOSE BETWEEN HEADER LIFT CYLINDERS
NS	F-PCT-04C48	4	PIN, COTTER 1/4 X 3	HEADER LIFT CYLINDERS
NS	HC-139221	2	CLAMP, 1/4" TUBE TANDEM (PAIR)	BRAKE LINES
NS	HC-139231	4	CLAMP, COVER PLATE FOR 1/4" TUBE CLAMP	BRAKE LINES
NS	F-HCF-8M050E	2	FLHC-10.9 M8 X 1.25 X 50	BRAKELINE TANDEM CLAMP
NS	F-HNF-08ME	2	FLHN-10.9 M8 X 1.25	BRAKELINE TANDEM CLAMP
NS	HC-133541	1	ABRASION SLEEVE, NYLON -- 2.19" ID X 32"	LEVELING AND TRIM HOSES FROM OC
NS	HC-143601	2	CLAMP, HOSE 1-1/8" R/C 3/8" HOLE	CLAMP TRIM HOSES UNDER FEEDER HOUSE
NS	HC-146651	1	DOUBLE CLOSED LOOP CLAMP (JD #4190266)	CLAMP TRIM HOSES UNDER FEEDER HOUSE
NS	HC-143601	2	CLAMP, HOSE 1-1/8" R/C 3/8" HOLE	CASE DRAIN HOSE
NS	MC-101343	2	CLAMP, HOSE 2-7/16" R/C 3/8" HOLE	PRESSURE AND RETURN HOSES ABOVE HYDRO HOSES
NS	F-HCF-8M020E	2	FLHC-10.9 M8 X 1.25 X 20	HOSE CLAMPS FROM MANIFOLD TO OC
NS	F-HNF-8ME	2	FLHN-10.9 M8 X 1.25	HOSE CLAMPS FROM MANIFOLD TO OC
NS	HC-135791	2	CLAMP, HOSE 7/8" R/C 3/8" HOLE	SHIFTING CABLE
NS	HC-143581	1	ABRASION SLEEVE, NYLON -- 1.22" ID X 24"	MSTR CYL HOSES ON OC RIGHT SIDE
NS	HC-143581	1	ABRASION SLEEVE, NYLON 1.22" ID X 24"	SLAVE CYLINDER HOSES THRU FEEDER PIVOT AREA
NS	HC-143701	2	ABRASION SLEEVE, NYLON 1.22" ID X 36"	ON TRIM HOSES NEAR SLAVE CYLINDER
NS	EC-142101	1	CLAMP, HOSE 3/8" R/C W/ 3/8" HOLE	ELECTRICAL CABLE SUPPORT IN CAB
NS	MC-100764	1	LOOM, SPIRAL	BUNDLING HOSES AT MANIFOLD
NS	LP-264341	1	LM PLT, STOP LADDER	
NS	F-FW-10	1	FW 5/8	LADDER STOP
NS	F-CB-12M025F	1	CARR-8.8 M12 X 1.75 X 25	LADDER STOP

Model 2955S Hillco Leveling System
For Serial Numbers 2955S-12001 thru 2955S-12999

Hillco Technologies, Inc.
107 1st Avenue
Nezperce, Idaho 83543

Phone	800-937-2461
	208-937-2461
Fax	208-937-2280

www.hillcotechnologies.com
email: support@hillcotechnologies.com