

**LT-200**  
**LATERAL HEADER TILT**  
**SYSTEM**

**OPERATOR'S**  
**MANUAL & PARTS**  
**BOOK**

D-041507SGD01





# ***LT-200***

## ***LATERAL HEADER TILT SYSTEM***

### ***PARTS MANUAL***

FOR JOHN DEERE 9400, 9410, 9450, 9500, 9510, 9550, 9600, 9610, 9650, CTS, CTS II, 9650 CTS, 9650 STS & 9750STS

### ***\*OPERATORS MANUAL***

\*ALL JOHN DEERE 50 SERIES COMBINES AND 1995 AND NEWER 9000 AND 10 SERIES COMBINES REFER TO YOUR JD COMBINE OPERATORS MANUAL UNDER CONTOUR MASTER™ FOR OPERATION INSTRUCTIONS BECAUSE THE OPERATION OF THE LT-200 IS IDENTICAL TO THE CONTOUR MASTER™. ALL 9000 SERIES COMBINES 1994 AND OLDER REFER TO THIS MANUAL.



# INTRODUCTION

PLEASE READ THIS MANUAL COMPLETELY. This manual describes how to properly operate and service the LT-200. Failure to do so could result in personal injury or equipment damage.

This manual should be considered a permanent part of your combine and should remain with the combine as long as the LT-200 is attached to your John Deere combine.

The terms “Left, Right, Top, Bottom or Back” used in this manual are referenced as if sitting in the operator’s seat of the combine facing the direction of forward travel.

Record the serial number of the Hillco LT-200 here for future reference. The serial number is located on the left side of the LT-200.

Hillco LT-200 SN- \_\_\_\_\_

The LT-100 is compatible with all John Deere heads up to the weight limit of 7440 lbs. This currently excludes John Deere 635D, 640D, 612C and 612C Stalkmaster heads.

Hillco does not guarantee any non John Deere header applications and will not be responsible for any damage occurred from improper header configurations.

Please call Hillco Technologies if you have any questions regarding the LT-200 or any other header configuration.



## **Statement of Limited Warranty**

Hillco Technologies, Inc. (Hillco) warrants its new products to be free from defects in material and workmanship for a period of twelve (12) consecutive months following the date of purchase by the retail purchaser.

Hillco warrants genuine Hillco replacement parts and components to be free from defects in material and workmanship for a period of six (6) consecutive months following the date of purchase or the remainder of the original equipment warranty period, whichever is longer.

Hillco's obligation under these warranties shall be limited to repairing or replacing, free of charge to the original purchaser, any part that, in Hillco's judgment, shows evidence of such defect.

### **Limitations to Warranty**

This warranty does not cover:

- 1) Warranty claims directly resulting from improper installation of the product.
- 2) Any product damaged by accident, abuse, misuse, or negligence after shipment from Hillco.
- 3) Any unauthorized product alteration or modification.
- 4) Any unauthorized repairs made with parts other than genuine Hillco parts.
- 5) Any repairs performed by anyone other than Hillco or an authorized Hillco dealer unless specifically authorized by Hillco.

### **Warranty Procedure**

A Hillco Warranty Registration Form must be fully completed and returned to Hillco within 30 days of sale of the product to the retail customer.

All warranty claims must be submitted on a Hillco Warranty Claim Form that is fully completed.

All warranty work must be performed, and claims submitted, within thirty (30) days of the occurrence of the claim and within the warranty period.

All parts removed during warranty repair should be held for a period of 60 days after the warranty claim has been submitted to Hillco.

Hillco reserves the right to either inspect the product at the original retail purchaser's location, or the authorized Hillco dealer's location; or require it to be returned to Hillco, F.O.B. Hillco, for inspection.

### **Limitation of Liability**

Hillco makes no express warranties other than those, which are specifically described herein. Any description of the goods sold hereunder, including any reference to buyer's specifications and any descriptions in circulars and other written material published by Hillco is for the sole purpose of identifying such goods and shall not create an express warranty that the goods shall conform to such description.

**THIS WARRANTY IS EXPRESSLY IN LIEU OF ALL OTHER WARRANTIES EXPRESSED OR IMPLIED.** There are no implied warranties of merchantability or fitness for a particular purpose. This warranty states Hillco's entire and exclusive liability and buyer's exclusive remedy for any claim for damages in connection with the sale or furnishing of Hillco products, their design, suitability for use, installation or operation, or for any claimed defects herein. **HILLCO WILL IN NO EVENT BE LIABLE FOR ANY INCIDENTAL OR CONSEQUENTIAL DAMAGES WHATSOEVER, NOR FOR ANY SUM IN EXCESS OF THE PRICE RECEIVED FOR THE GOODS FOR WHICH LIABILITY IS CLAIMED.**

No representative of Hillco nor any dealer associated with Hillco has the authority to change the items of this warranty in any manner whatsoever, and no assistance to purchaser by Hillco in the repair or operation of any Hillco product shall constitute a waiver of the conditions of this warranty, nor shall such assistance extend or revive it.

Hillco reserves the right to make improvements in design or changes in specifications at any time, without incurring any obligation to owners of units previously sold.

# SAFETY

## Safety Alert Symbol

When you see this symbol be alert to potential for personal injury or death. Follow recommended precautions and safe operating practices.



## Signal Words

These words are used with the safety alert symbol.

**DANGER** - An immediate and specific hazard that **WILL** result in severe personal injury or death.



**WARNING** - A specific hazard or unsafe practice that **COULD** result in severe personal injury or death if proper precautions are not taken.



**CAUTION** - Unsafe practices which **COULD** result in personal injury if proper practices are not taken, or as a reminder of good safety practices.



## HIGH PRESSURE FLUIDS

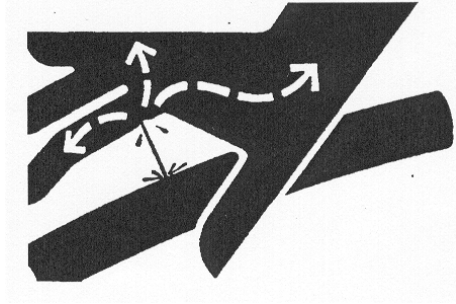
Escaping fluids under pressure can penetrate the skin causing serious injury.

Search for leaks with a piece of cardboard.

Relieve pressure before disconnecting hydraulic or other lines.

If an accident occurs consult a physician immediately.

Fluid injection into the skin must be surgically removed within a few hours or gangrene may result.



**SAFETY LABELS** are located on both the left and right side of the LT-200 as shown below.



# OPERATION

## OPERATING THE HILLCO LT-200

**For John Deere 9400 SN (up to-660100), 9500 SN (up to-660200), 9600 SN (up to-660300), CTS SN (up to-660400) refer to this Hillco LT-100 Operators & Parts Manual.**

For John Deere 9450, 9550, 9650, 9650 CTS, 9650 STS & 9750 STS combines refer to the John Deere operator's manual for your model of combine under the Contour Master™ section for operation instructions.

For John Deere 9400 SN (660101- and up), 9500 SN (660201-and up), 9600 SN (660301-and up), CTS SN (660401-and up), 9410, 9510, 9610 & CTS II combines refer to the John Deere manual for your model of combine under the Contour Master™ section for operation instructions.

## HILLCO LT-200 DESCRIPTION

The Hillco LT-200 is a bolt on aftermarket Lateral Header Tilt System designed to allow the operator to hydraulically laterally tilt the header 4° in either manual or automatic mode. In addition, the header can be adjusted 8° fore to aft to optimized header angle.



The LT-200 uses the John Deere electronic circuit board to allow the John Deere Dial-A-Matic™ and Contour Master™ electronics and the Hillco LT-200 to work together to maintain the closest cutter bar position to the ground with flex platforms. If the Hillco LT-200 is switched to manual mode the John Deere Dial-A-Matic™ will still operate in automatic.

**NOTE:** On flex headers, the lateral tilt will be inactive if the head is off the ground or locked out.

## LT-200 CALIBRATION

To account for initial differences in the signals between the right and left sensor, it is necessary to level the system. This will need to be performed every time a different header is mounted onto the combine.

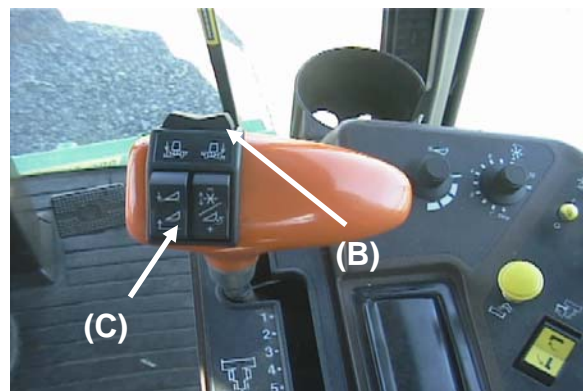


1. Turn the automatic switch to the manual position (A).

2. Engage the header.

3. (Rigid Platforms and Corn Heads) Raise the header until it clears the ground manually. Tilt the header by using the lateral header tilt switch (B) on the hydro handle until both ends of the header are equal distance from the ground.

(Flex Platforms) Raise the header completely off the ground so that both skid shoes are hanging completely down. It is not necessary for the platform to match the ground contour.



4. While pushing the header raise button (C) on the hydro-handle turn the automatic lateral header tilt switch to (A) auto. The difference in the left and right signals is stored until this same procedure is repeated.



## LT-200 AUTOMATIC OPERATION

With the header engaged, switch the Hillco LT-200 switch (A) to the ON position. The header will then automatically follow the contour of the ground using non-contact sensors on the rigid platforms and corn heads and contacting sensors on flex platforms.



*NOTE: It is not necessary to engage the separator for the system to operate.*

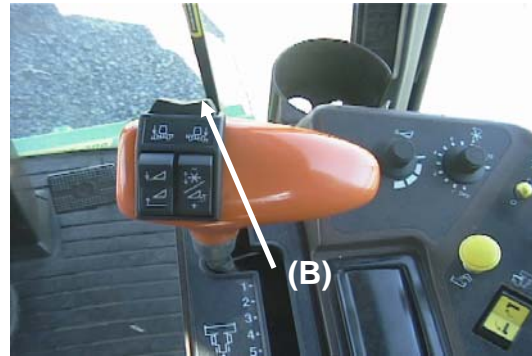
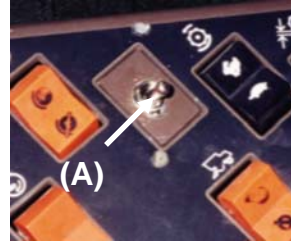
The automatic function will shut off if any of the following happens:

1. Header disengages.
2. Operator is off seat for more than five seconds.
3. Tilt switch is turned off.
4. The header harness is disconnected.
5. The header is raised for more than 1-1/2 seconds.

## HILLCO LT-200 MANUAL OPERATION

To manually tilt the header, switch the Hillco switch (A) to the off position. Press the right half of the switch (B) to tilt it right. Press the left half of the switch (B) to go left.

*NOTE: The manual switch can be used during automatic operation, but as soon the manual switch is released, the automatic mode will re-adjust.*



## HILLCO LT-200 SENSITIVITY ADJUSTMENTS

The sensitivity of the Hillco LT-200 can be adjusted by changing the switch positions on the JD Contour Master™ circuit board located in the central electronics box.

If the header seems to be too sensitive in the side-to-side motion, you can choose a less sensitive switch setting. If the header doesn't seem sensitive enough, you can try a more sensitive switch setting.

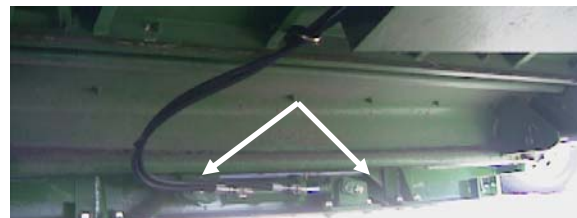
*NOTE: Switch #1 & #5 are always off.*

SWITCH 1	SWITCH 2	SWITCH 3	SWITCH 4	SWITCH 5	RESPONSIVENESS
OFF	OFF	OFF	OFF	OFF	LEAST
OFF	ON	OFF	OFF	OFF	
OFF	OFF	ON	OFF	OFF	MEDIUM
OFF	OFF	OFF	ON	OFF	
OFF	ON	ON	ON	OFF	MOST

Contour Master™ circuit board switch settings

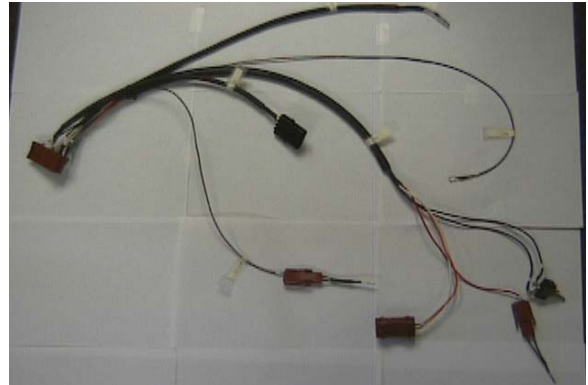
## SERVICING THE HILLCO LT-200

Grease the tilt cylinder ends every 50 hours.



**LT-200 OPERATORS AND PARTS MANUAL**  
D-041507SGD01 REV2

**HILLCO LT-200  
ELECTRICAL**

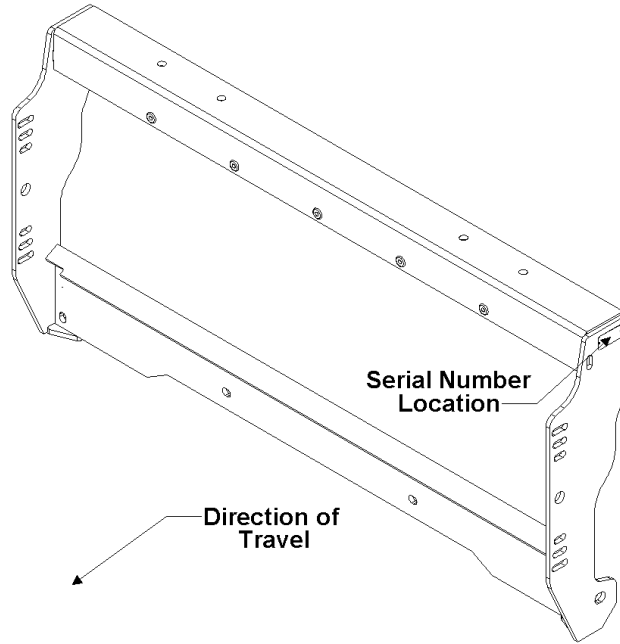


KEY	PART NUMBER	PART NAME	QTY.	REMARKS
1	LTA-242281	LTM CABLE FOR DUMP VALVE	1	
2	LTA-242271	LTM CABLE MAIN W/ DIODES	1	
3	LTA-242291	LTM CABLE FOR OLDER JD COMBINES	1	MANUAL LATERAL TILT ONLY FOR 1994 AND OLDER COMBINES
4	LTA-243931	AUTO LATERAL TILT CABLE ASSEMBLY	1	AUTO LATERAL TILT FOR 1994 AND OLDER COMBINES
<b>NOT SHOWN</b>				
	MC-136601	AMP TERMINAL EXTRACTION TOOL		FOR REMOVAL OF AMP TERMINALS



**LT-200 Lateral Header Tilt System**  
For John Deere Combines 9400, 9410, 9450, 9500,  
9510, 9600, 9610, 9650, CTS, CTS II, 9650CTS,  
9650 STS & 9750 STS

### Serial Number Location



### Text Format and Illustrations

The arrangement of this parts catalog is for easy identification of parts. All parts are illustrated in exploded views in proper relation to each other. Some diagrams refer to other pages for further information. Reference numbers used in the illustrations refer to line numbers in the part lists. The part lists appear to the right of all diagrams and correspond with those diagrams. Included in the part lists, along with the reference numbers are part numbers, part descriptions and the quantity of the part required per LT-200.

### Abbreviations

**SN** "Serial Number" refers to the serial number given to each LT-200 (by Hillco Technologies), as well as the serial number given to the combine (by the specific combine manufacturer) the leveling system is installed upon. This abbreviation is used interchangeably in both instances. Each LT-200 uses the following serial number format: LT-200 - XXXX (sequential numbers).

**ASM** "Assembly" refers to a whole grouping of parts (usually shown in the diagram corresponding with the page where "ASM" is shown unless otherwise noted). Some assemblies have parts that are sold separately, however some must be purchased as a single unit. Hillco Product Specialists will be able to assist you with any questions.

**NS** "Not Shown" refers to a part that is not depicted in the illustration.

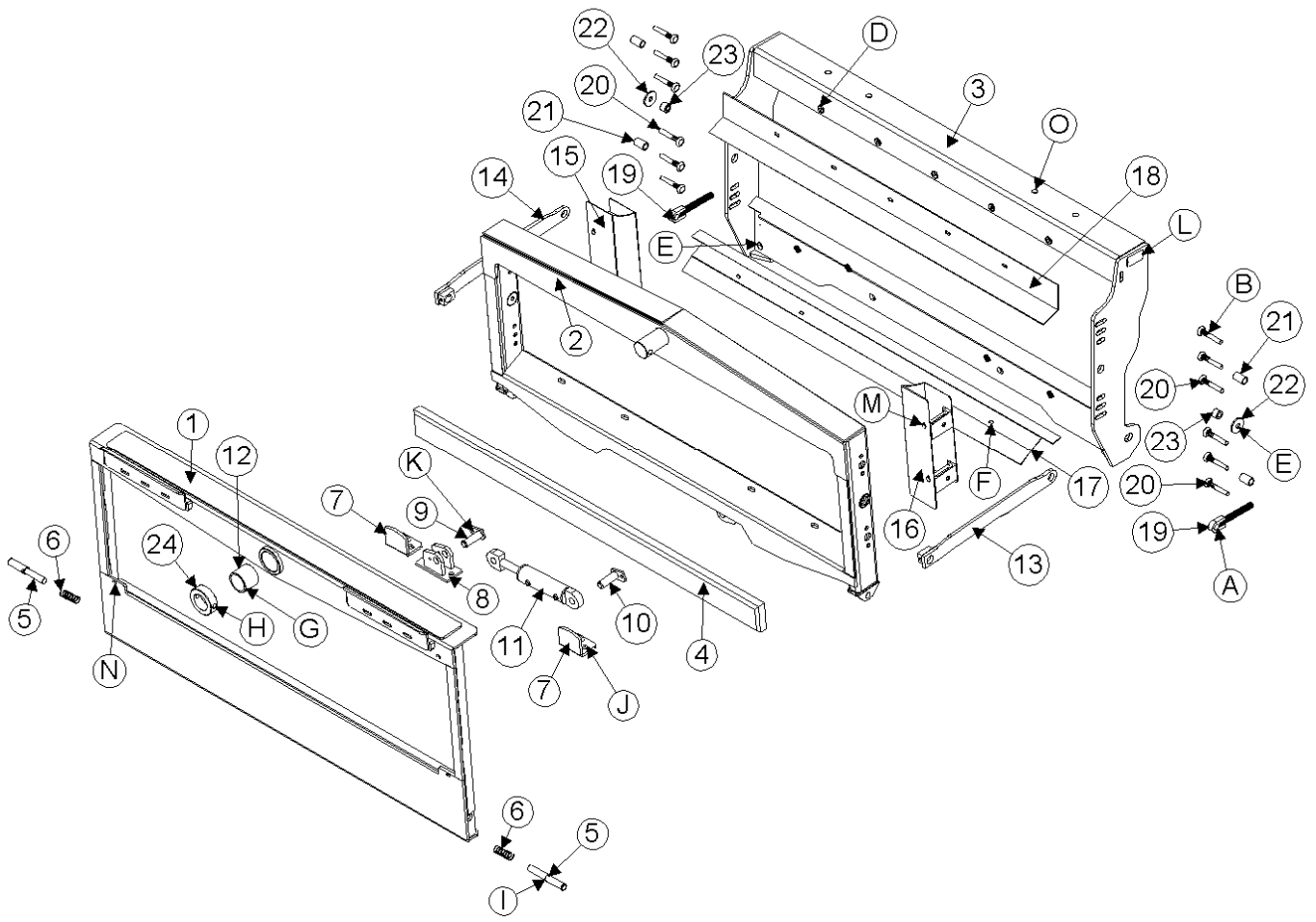
### Right and Left Identification

The reference to right-hand and left-hand in this catalog is identified by the operator sitting in the operator's seat, looking toward the front of the machine (in normal forward travel).

### Parts Orders

Orders must specify product model, serial number, correct part number, complete description, quantity required, method of shipment, shipping address, and billing address.

**Header adapter & throat assembly**

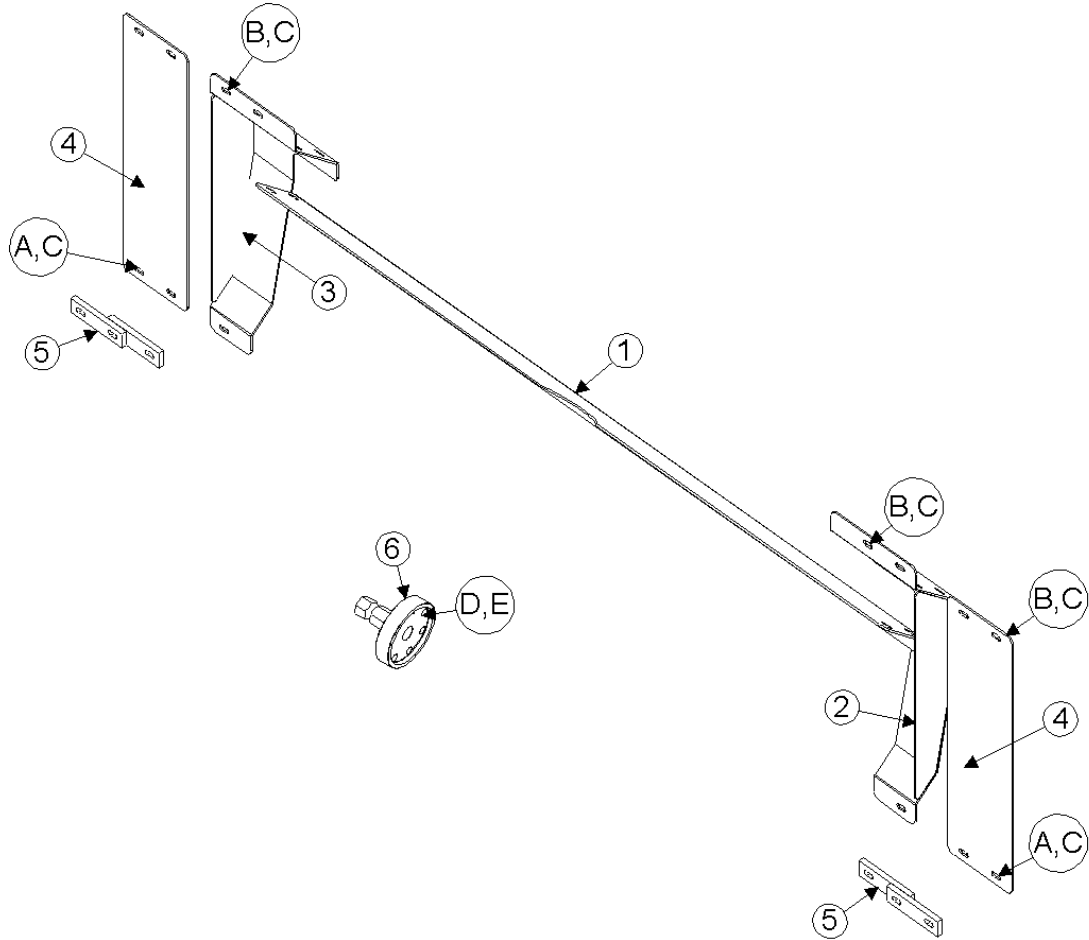


# LT-200 OPERATORS AND PARTS MANUAL

D-041507SGD01 REV2

<b>HEADER ADAPTER &amp; THROAT ASSEMBLY COMPONENTS</b>				
REF.	PART NO.	QTY.	PART NAME	NOTES
1	LTA-241281	1	LTA ASM, LATERAL TILT	
2	LTA-262061	1	LTT ASM, INNER TILT FRAME	
3	LTA-262081	1	LTT ASM, OUTER TILT FRAME	
4	LTP-241751	1	UHMW PLASTIC, WEAR PAD	
5	LM-229192	2	TM ROD, LOCK	
6	MC-135531	2	SPRING	
7	LTA-241542	2	LTM ASM, STOP	
8	LTA-241571	1	LTM ASM, CYL MOUNT	
9	LTA-248541	1	TM PIN ASM	
10	LA-229071	1	TM PIN ASM, TRIM CYLINDER (BASE)	
11	HC-136811	1	CYLINDER, 2 X 4	
NS	HC-137231	1	SEAL KIT, CYLINDER	
NS	HA-L-4MF4MO	2	#4MORB X #4MORS 90	
12	LTP-241721	1	BUSHING	
13	LTA-242223L	1	LTM ASM, FEEDER DRUM ARM RH	
14	LTA-242253L	1	LTM ASM, FEEDER DRUM ARM LH	
15	LTA-241685	1	LTM ASM, LH THROAT FILLER	
16	LTA-241655	1	LTM ASM, RH THROAT FILLER	
17	LTP-262632	1	LTM PLATE, FLEX FLOOR	
18	LTP-262501	1	SHIELD, TILT FRAME	
19	LTA-262451	2	LTM ASM, EYEBOLT	
20	MC-145241	12	9/16-18 WHEEL STUD	
21	LM-262791	4	LTT PIPE, F/A BUSHING	
22	MC-143641	2	FW 17.5X56X5MM	
23	LM-260821	2	TM BUSHING, PIVOT OUTER	
24	LM-226841	1	TM COLLAR, PIVOT	
<b>USED ON COMBINES THAT HAVE HEAVY DUTY FEEDER HOUSE CHAIN (CA 550HD OR CA 557)</b>				
NS	LA-254803	1	HEAVY FEEDER CHAIN KIT	
NS	MC-142251	4	OFFSET LINK, JD HD FEEDER CHAIN	
NS	MC-140253	4	CA 557 FEEDER CHAIN (11 PITCHES)	
NS	MC-140261	4	CA 557 K25 ATTACHMENT CONNECTIN LINK	
NS	MC-137031	8	S-WIRE KEEPER PIN, CA550	
NS	MC-142261	8	S-WIRE KEEPER PIN, CA557	
<b>USED ON COMBINES THAT HAVE HEAVY DUTY FEEDER HOUSE CHAIN (CA 550HD OR CA 557)</b>				
NS	LA-254813	1	LIGHTER FEEDER CHAIN KIT FOR LT-100'S	
NS	MC-136873	4	FEEDER CHAIN, CA550 (11 PITCHES)	
NS	MC-137021	4	CA-550 K25 ATTACHMENT CONNECTING LINK	
NS	MC-137031	16	S-WIRE KEEPER PIN, CA550	
<b>HEADER ADAPTER &amp; THROAT ASSEMBLY FASTENERS</b>				
REF.	PART NO.	QTY.	PART NAME	WHERE USED
A	F-PCL-12X40	2	PIN, CLEVIS 3/4X2.5	EYEBOLT/INNER TILT FRAME
A	F-PCT-02X32	2	COTTER, PIN 1/8X2" SQUARE CUT	EYEBOLT/TILT FRAME
A	F-MB-14NR14	4	MACHINE BUSHING 14 GAUGE 7/8"	EYEBOLT TO INNER FRAME
A	F-MB-10NR14	2	MACHINE BUSHING 10 GAUGE 7/8"	EYEBOLT TO INNER FRAME
B	F-FWH-09	12	FLAT WASHER 9/16	WHEEL STUD
B	F-HN-09F	12	HEX NUT 9/16-18	WHEEL STUD
C	F-HC-16M065E	2	M16 X2.0 X 65 HEX HEAD SCREW 10.9	PIVOT BUSHING
D	F-HC-10M020E	5	FLHC- 10.9 M10 X 1.5 X 20	TILT FRAME TO SHIELD
E	F-HNF-20ME	4	FLHN- 10.9 M20 X 2.5	EYEBOLT TO OUTER TILT FRAME
F	F-CB-08M060F	4	CARR- 8.8 M8 X 1.50 X 60	FLEX FLOOR
F	F-FW-05	8	FLAT WASHER 5/16	FLEX FLOOR
F	F-HNN-D10MF	4	HN- 8.8 M8 X 1.5 NYLOCK	FLEX FLOOR
G	F-MB-14NR40	5	MACHINE BUSHING 14 GAUGE NR 2-1/2"	TRANSITION MAIN PIVOT PIN
H	F-HC-16M120E	1	HC-10.9 M16 X 2.00 X 120 PLT	PIVOT PIN COLLAR
H	F-HNS-16ME	1	HN-10.9 M16 X 2.00 STOVER PLT	PIVOT PIN COLLAR
I	F-HC-10M070E	2	HC-10.9 M10 X 1.5 X 70 PLT	LOCK PINS
J	F-HCF-16M040E	6	FLHC-10.9 M16 X 2.00 X 40 PLT	CYL MOUNT, STOP MNTS
J	F-HNFS-16ME	6	FLHN-10.9 M16 X 2.5 FLANGE STOVER NUT	CYL MOUNT, STOP MNTS
K	F-HCF-10M016F	2	FLHC-8.8 M10 X 1.50 X 16 PLT	CYL MNT PIN
L	F-UDS-#7X06	2	SCREW, U-DRIVE # 7 X 3/8	SERIAL NUMBER PLT
M	FHFS-08ME	8	FLHN-10.9 M8 X 1.25 STOVER	THROAT FILLER
M	F-CB-08M120F	8	CARR-8.8 M8 X 1.25 HEAD SCREW	THROAT FILLER
N	F-CB-8M030F	12	CARR-8.8 M8 X 1.25 X 30 PLT	SHIELD/ HOSE CLAMPS/ FILLERS
N	F-HNF-08ME	24	FLHN-10.9 M8 X 1.25 PLT	SHIELD/ HOSE CLAMPS/ FILLERS
O	F-HCF-12M040E	4	FLHC-10.9 M12 X 1.75 X 40 PLT	TRANSITION MNT
O	F-HCF-16M040E	4	FLHC-10.9 M16 X 2.00 X 40 PLT	TRANSITION MNT
NS	F-HCF-8M020E	9	FLHC- 10.9 M8 X 1.25 X 20 PLT	HOSE CLAMPS

***shield and hex drive assembly***

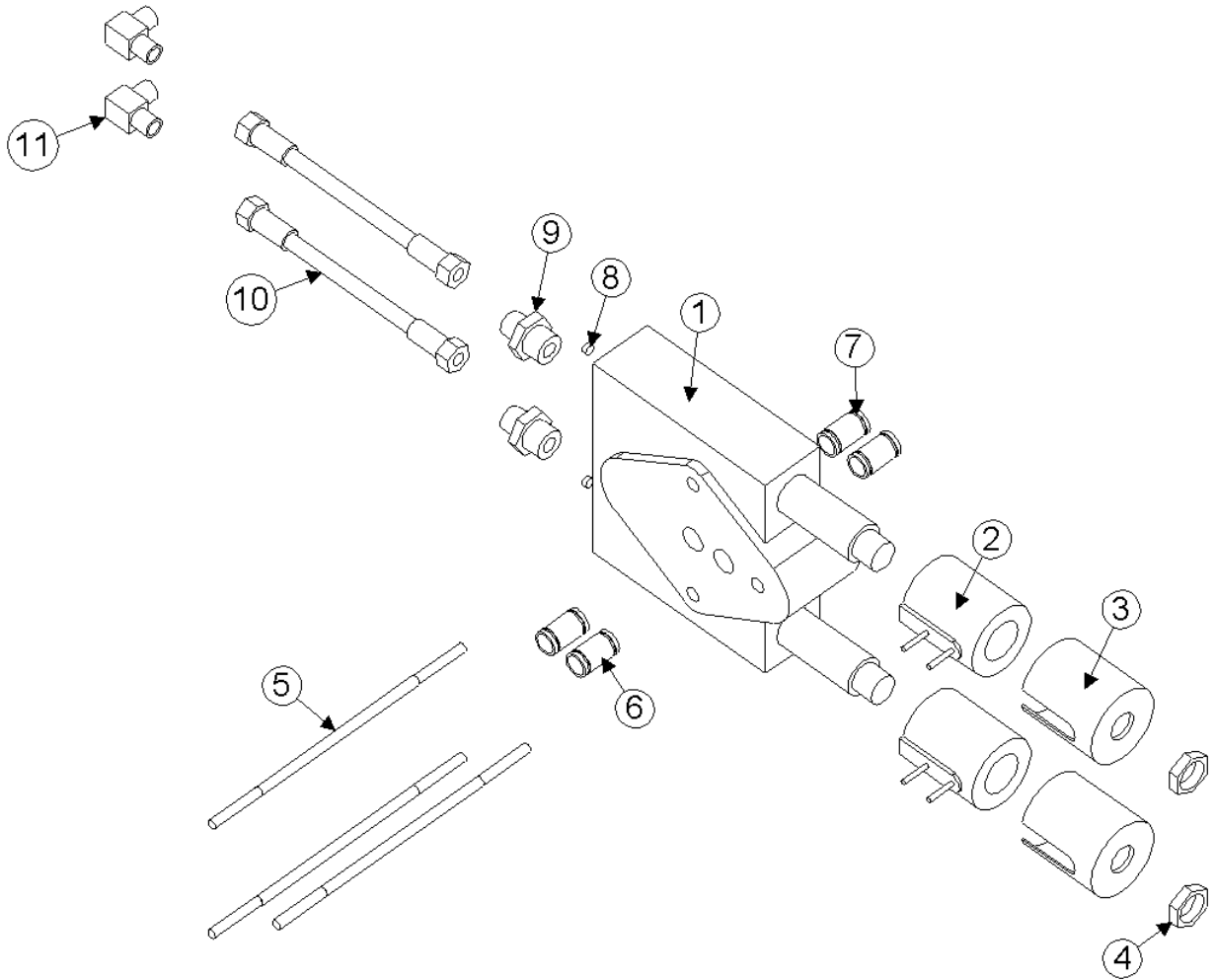


LT-200 OPERATORS AND PARTS MANUAL  
D-041507SGD01 REV2

<b>SHIELD &amp; HEX DRIVE ADAPTER COMPONENTS</b>				
<b>REF.</b>	<b>PART NO.</b>	<b>QTY.</b>	<b>PART NAME</b>	<b>NOTES</b>
1	LTP-241741	1	LTM PLT, SHEILD TOP	
2	LTA-254051	1	LTM ASM, RH SHIELD	
3	LTA-254061	1	LTM ASM, LH SHIELD	
4	LTP-241731	2	LTM PLT, SHIELD EXT	
5	LTA-241701	2	LTM ASM, SHIELD EXT SUPPORT	
6	LTA-242191	1	LTM ASM, HEX DRIVE ADAPTOR	
<b>SHIELD &amp; HEX DRIVE ADAPTER FASTENERS</b>				
<b>REF.</b>	<b>PART NO.</b>	<b>QTY.</b>	<b>PART NAME</b>	<b>WHERE USED</b>
A	F-CB-08M030E	6	M8 X 30 CARRIAGE BOLT	SHIELD
B	F-HCF-08M020E	12	M8 X 20 FLANGE BOLT	SHIELD
C	F-HNF-08ME	18	M8 FLANGE NUT	SHIELD
<b>ONLY FOR 9600 COMBINES</b>				
D	F-HCF-12M040E	7	FLHC-10.9 M12 X 1.75 X 40 PLT	FEEDER HOUSE HEX DRIVE SHAFT
E	F-HNN-12ME	7	FLHN-10.9 M12 X 1.75 NYLOCK PLT	FEEDER HOUSE HEX DRIVE SHAFT



### VALVE ASSEMBLY



**LT-200 OPERATORS AND PARTS MANUAL**  
D-041507SGD01 REV2

<b>VALVE ASSEMBLY COMPONENTS</b>				
<b>REF.</b>	<b>PART NO.</b>	<b>QTY.</b>	<b>PART NAME</b>	<b>WHERE USED</b>
ASM	LA-243161	1	VALVE ASM	
1	HC-136511	1	LATERAL TILT VALVE	
2	LM-254541	2	ORIFICE - DRILLED TO .040	
3	HC-136561	2	COILS	
4	HC-136571	2	COIL COVERS	
5	HC-136581	2	COIL COVER NUTS	
6	HC-136591	1	COVER	
7	HA-S-4MF8MO	2	#8 MORB X #4 MORS	
8	MC-136841	4	#6 X 1/4 TAPPING SCREW	
9	EC-136721	1	AMP STD. SEX FLNG	
10	HC-136541	2	LONG THROUGH TUBES	
11	HC-136551	4	SHORT THROUGH TUBES	
12	LP-248471	3	ALL THREAD, B7, 1/4-20 X 15.625 PLT	
NS	LTA-242262	2	1/4" 100R2 HOSE 254" #4 FORS BOTH ENDS	JD STACK VALVE TO CYL

LT-200 OPERATORS AND PARTS MANUAL  
D-041507SGD01 REV2

<b>DOCUMENTS &amp; MISCELLANEOUS COMPONENTS</b>				
<b>REF.</b>	<b>PART NO.</b>	<b>QTY.</b>	<b>PART NAME</b>	<b>NOTES</b>
NS	LL-137051	2	LABEL, SAFETY	DANGER, PINCH POINT
NS	LA-255991	1	TAG, SERIAL NUMBER LT-100	
NS	LL-141021	3	DECAL, HILLCO LT-100 (ROUND)	
NS	D-070427ADL01	1	PARTS MANUAL	
NS	D-041507SGD01	1	OPERATORS MANUAL	
NS	D-041607SGD01	1	LT-200 9000 AND 10 SERIES INSTAL MANUAL	
NS	D-041607SGD01	1	LT-200 50 SERIES INSTALL MANUAL	
<b>MISCELLANEOUS FASTENERS</b>				
<b>REF.</b>	<b>PART NO.</b>	<b>QTY.</b>	<b>PART NAME</b>	<b>WHERE USED</b>
NS	F-HCF-8M020E	3	FLHC- 10.9 M8 X 1.25 X 20 PLT	HOSE CLAMPS
NS	F-HNF-08ME	7	FLHN-10.9 M8 X 1.25 PLT	HOSE CLAMPS
NS	MC-135791	7	7/8 R/C HOSE CLAMP 3/8" HOLE	HDR LIFT CYL HOSES
NS	F-HC-8M020E	24	HC-10.9 M8 X 1.25 X 20	SLATS
NS	F-HNS-8ME	24	HN-10.9 M8 X 1.25 STOVER PLT	SLATS
<b>ELECTRICAL CABLES</b>				
<b>REF.</b>	<b>PART NO.</b>	<b>QTY.</b>	<b>PART NAME</b>	<b>WHERE USED</b>
NS	LTA- 242281	1	LTM CABLE FOR DUMP VALVE	
NS	LTA-242271	1	LTM CABLE MAIN W/ DIODES	
<b>ELECTRICAL COMPONENTS</b>				
<b>REF.</b>	<b>PART NO.</b>	<b>QTY.</b>	<b>PART NAME</b>	<b>WHERE USED</b>
NS	EC-133281	2	DIODE, 6 AMP, 50 PIV, SILICON	
NS	EC-136621	2	WP SLEEVE TERM	
NS	EC-136631	2	WP CABLE SEAL	
NS	EC-136651	1	WP CONN. ASM. 1M	
NS	EC-136661	4	WP PIN TERM	
NS	EC-136681	1	WP CONN. ASM.4F	
NS	EC-136691	1	WP CONN ASM 1F	
NS	EC-136701	1	AMP PIN	
NS	EC-136711	2	AMP SOCKET	
NS	EC-136731	1	AMP STD. SEX PLUG	
NS	EC-136741	1	AMP CPC CABLE CLAMP	
NS	EC-139631	1	CONNECTOR, PARALLEL 12-10 GA	
NS	EC-139641	2	CONNECTOR, PARALLEL 16-14 GA	
NS	ET-ST-2005	2	5/16 STUD TERMINAL	
NS	MC-136601	1	AMP TERMINAL EXTRACTION TOOL	

# LT-200 OPERATORS AND PARTS MANUAL

D-041507SGD01 REV2

Hillco Technologies, Inc.  
107 1<sup>st</sup> Avenue  
Nezperce Id. 83543

Fax	208.937.2280
Phone	208.937.2461
Toll Free	800.937.2461

[www.hillcotechnologies.com](http://www.hillcotechnologies.com)