

Model JH9010 Hillco Leveling System  
For Serial Numbers JH9010-12001 thru JH9010-12999



# **Model JH9010 Hillside Leveling System Parts Manual**

SN JH9010-12001 thru JH9010-12999

For John Deere S680 & S690  
S Series Combines

D-120613CMA01



# JH9010 Hillside Leveling System

For S680 & S690 S Series Combines

## Table of Contents

<b>General Information</b>	<b>3</b>
Serial Number Location	3
Text and Illustrations	3
Abbreviations	3
Right and left Identification	3
Part Orders	3
<b>Transition</b>	<b>4</b>
Transition Throat	5
Transition Beater Drive	7
Radial Pin Slip Clutch	9
Transition Middle/Tilt Sensor	10
Transition Header Adapter	12
<b>Carriage</b>	<b>13</b>
Overcarriage	14
Undercarriage	16
Carriage Misc. Parts	17
Carriage Position Sensor	18
<b>Drive Wheel</b>	<b>20</b>
<b>Drop Axle</b>	<b>21</b>
<b>Hydraulic Components</b>	<b>22</b>
Cross Port Relief	23
Dual Station Manifold	24
John Deere Header Lift Manifold Fittings	26
<b>Retractable Ladder</b>	<b>28</b>
<b>Ladder Wedge</b>	<b>30</b>
<b>Electrical</b>	<b>30</b>
Controller/Wiring Harnesses	32
Monitor	33
<b>Decals and Literature</b>	<b>34</b>

### Contact Information

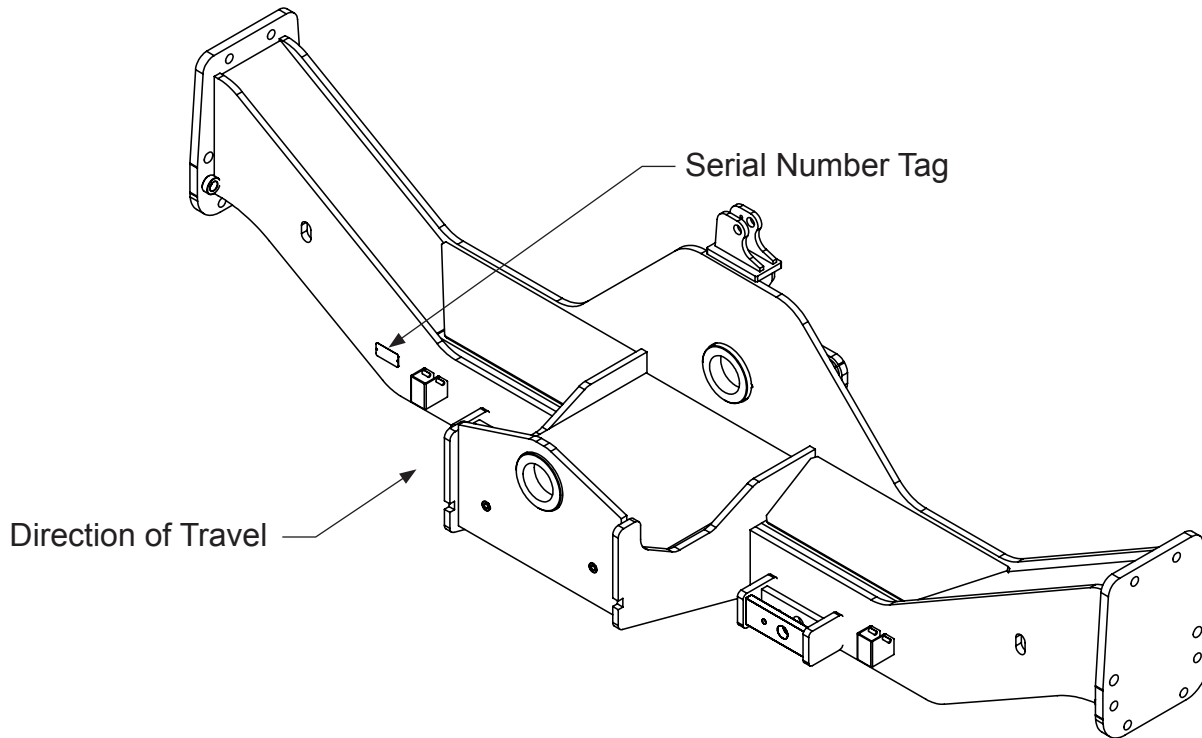
Hillco Technologies, Inc.  
107 1st Avenue  
Nezperce, Idaho 83543

Phone	800-937-2461
	208-937-2461
Fax	208-937-2280

[www.hillcotechnologies.com](http://www.hillcotechnologies.com)  
email: [support@hillcotechnologies.com](mailto:support@hillcotechnologies.com)

## **GENERAL INFORMATION**

### **SERIAL NUMBER LOCATION**



### **TEXT AND ILLUSTRATIONS**

The arrangement of this parts catalog is for easy identification of parts. All parts are illustrated in exploded views in proper relation to each other. Some diagrams refer to other pages for further information. Reference numbers used in the illustrations refer to line numbers in the part lists. The part lists appear to the right or below all diagrams and correspond with those diagrams. Included in the part lists, along with the reference numbers are part numbers, part descriptions and the quantity of the part required per leveling system.

### **ABBREVIATIONS**

**SN** "Serial Number" refers to the serial number given to each leveling system (by Hillco Technologies), as well as the serial number given to the combine (by the specific combine manufacturer) the leveling system is installed. See above for the leveling system's serial number location. This abbreviation is used interchangeably in both instances. Each Model JH9010 Leveling System uses the following serial number format: JH9010-XXXXX (sequential numbers).

**ASM** "Assembly" refers to a whole grouping of parts (shown in the diagram corresponding with the page where "ASM" is shown unless otherwise noted). Some assemblies have parts that are sold separately, however some must be purchased as a single unit. Hillco Product Specialists will be able to assist you with any questions.

**NS** "Not Shown" refers to a part that is not depicted in the illustration.

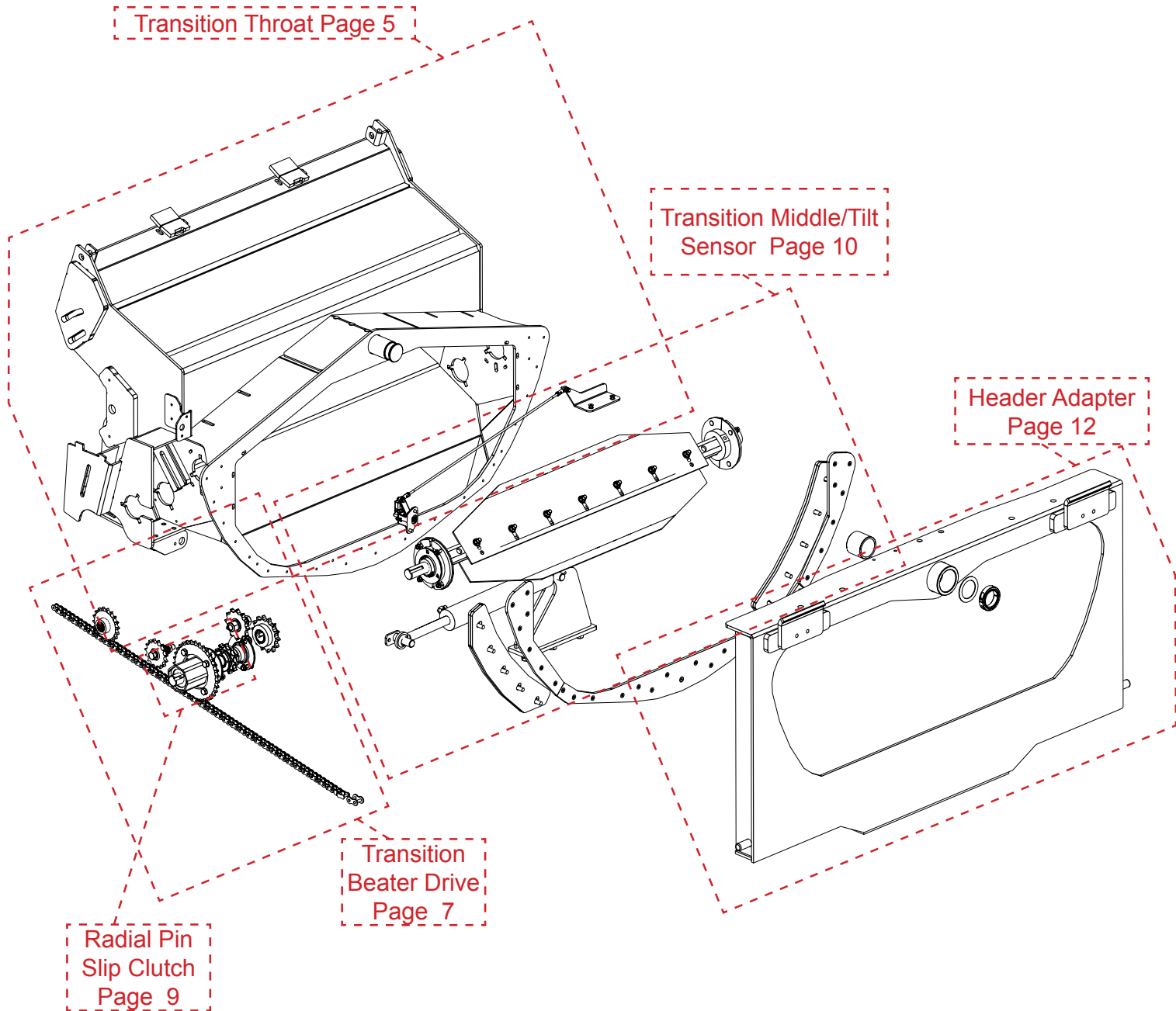
### **RIGHT AND LEFT IDENTIFICATION**

The reference to right-hand and left-hand in this catalog is identified by the operator sitting in the operator's seat, looking toward the front of the machine (in normal forward travel).

### **PART ORDERS**

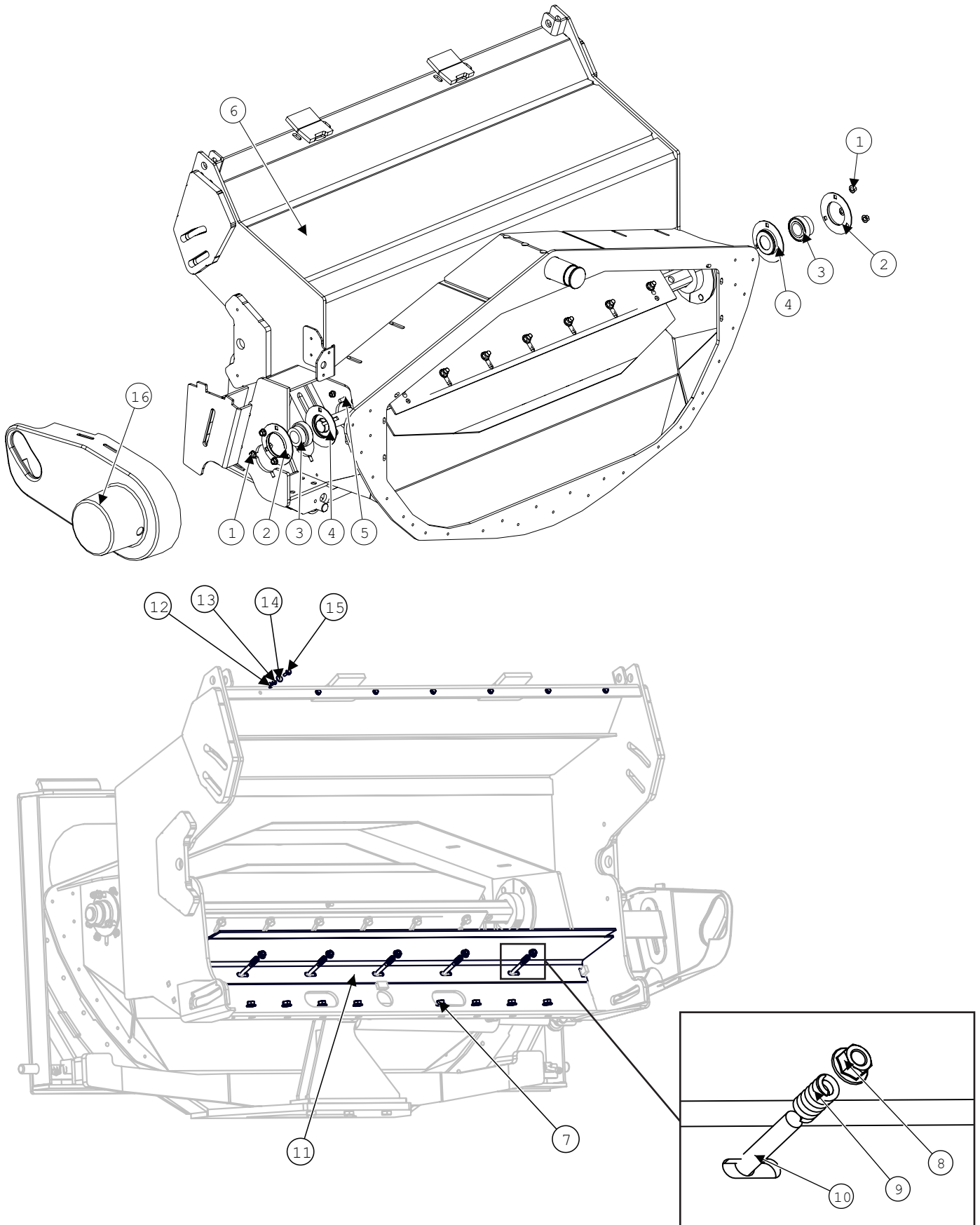
Orders must specify product model, serial number, correct part number, complete description, quantity required, method of shipment, shipping address, and billing address.

## TRANSITION



Model JH9010 Hillco Leveling System  
For Serial Numbers JH9010-12001 thru JH9010-12999

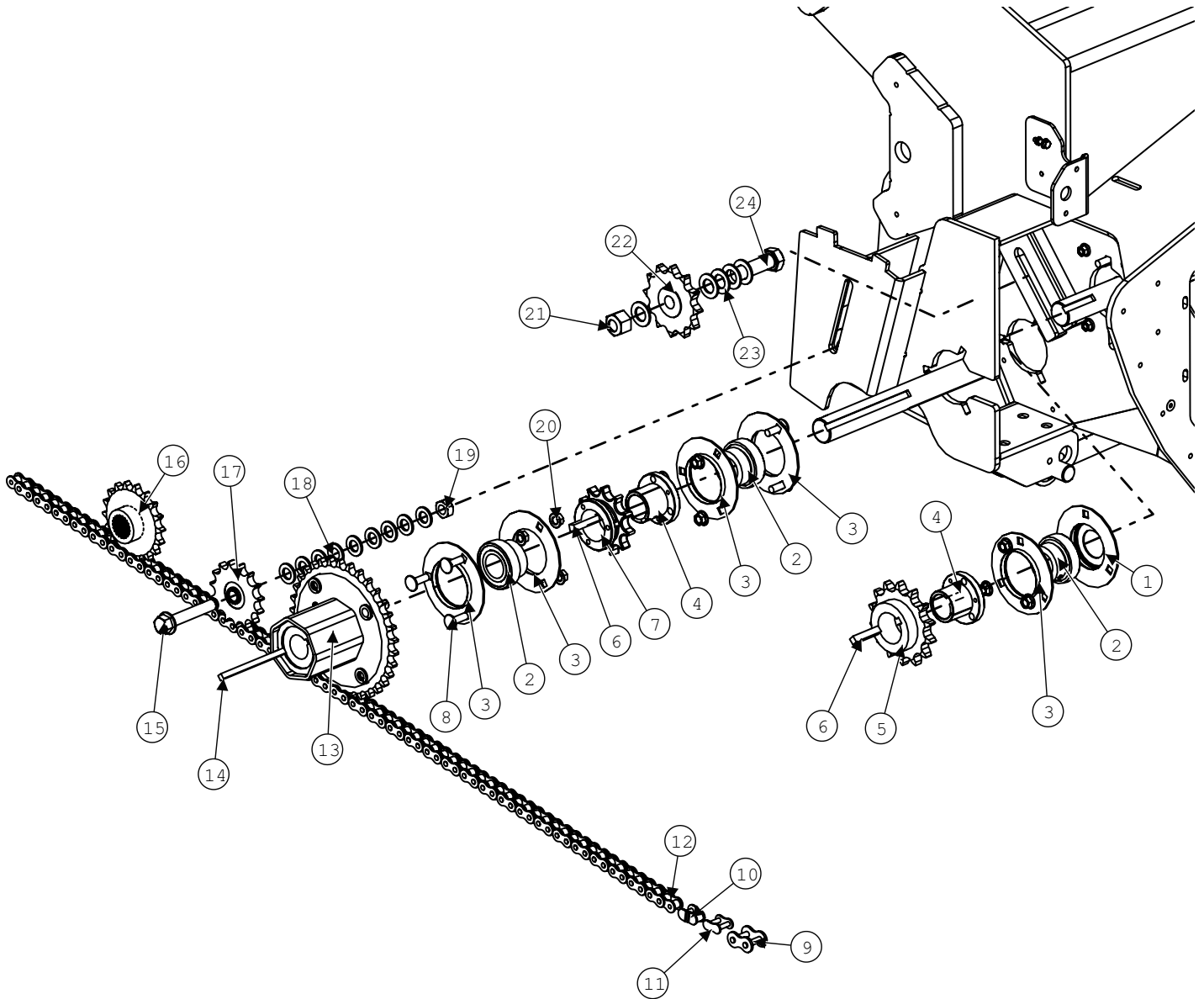
**TRANSITION THROAT**



Model JH9010 Hillco Leveling System  
For Serial Numbers JH9010-12001 thru JH9010-12999

<b>Transition Throat</b>			
<b>BOM ID</b>	<b>Part No.</b>	<b>Qty</b>	<b>Description</b>
1	F-HNF-10ME	6	FLHN-10.9 M10 X 1.50
2	MC-101339 HALF	2	FLANGETTE, ROUND BEARING
3	MC-100548	2	INSERT, BEARING 1-7/16"
4	LA-243691	2	TM ASM, INNER FLANGETTE
5	F-CB-10M030F	3	CARR-8.8M10X1.5X30 HEAD SCREW
6	LW-297151	1	TT ASM THROAT
7	F-HNF-12ME	16	FLHN-10.9 M12 x 1.75 PLT
8	F-HNSF-10ME	5	FLHN-10.9 M10X1.5 STV
9	MC-143591	5	SPRING, C .703DX1.09LX.125W
10	F-CB-10M060F	5	CARR-8.8M10X1.5X60
11	LP-271691	1	TT PLT, FLEX FLOOR REAR
12	F-HNF-06ME	7	FLHN-10.9M6X1.00
13	F-LW-04	7	LW, SPRING, 1/4"
14	F-FW-04	7	WASHER, FLAT 1/4
15	F-HCF-06M020F	7	FLHC-8.8M6X1.0X20
16	MC-147671	1	TM SHIELD, FRONT BEATER DRIVE

**TRANSITION BEATER DRIVE**

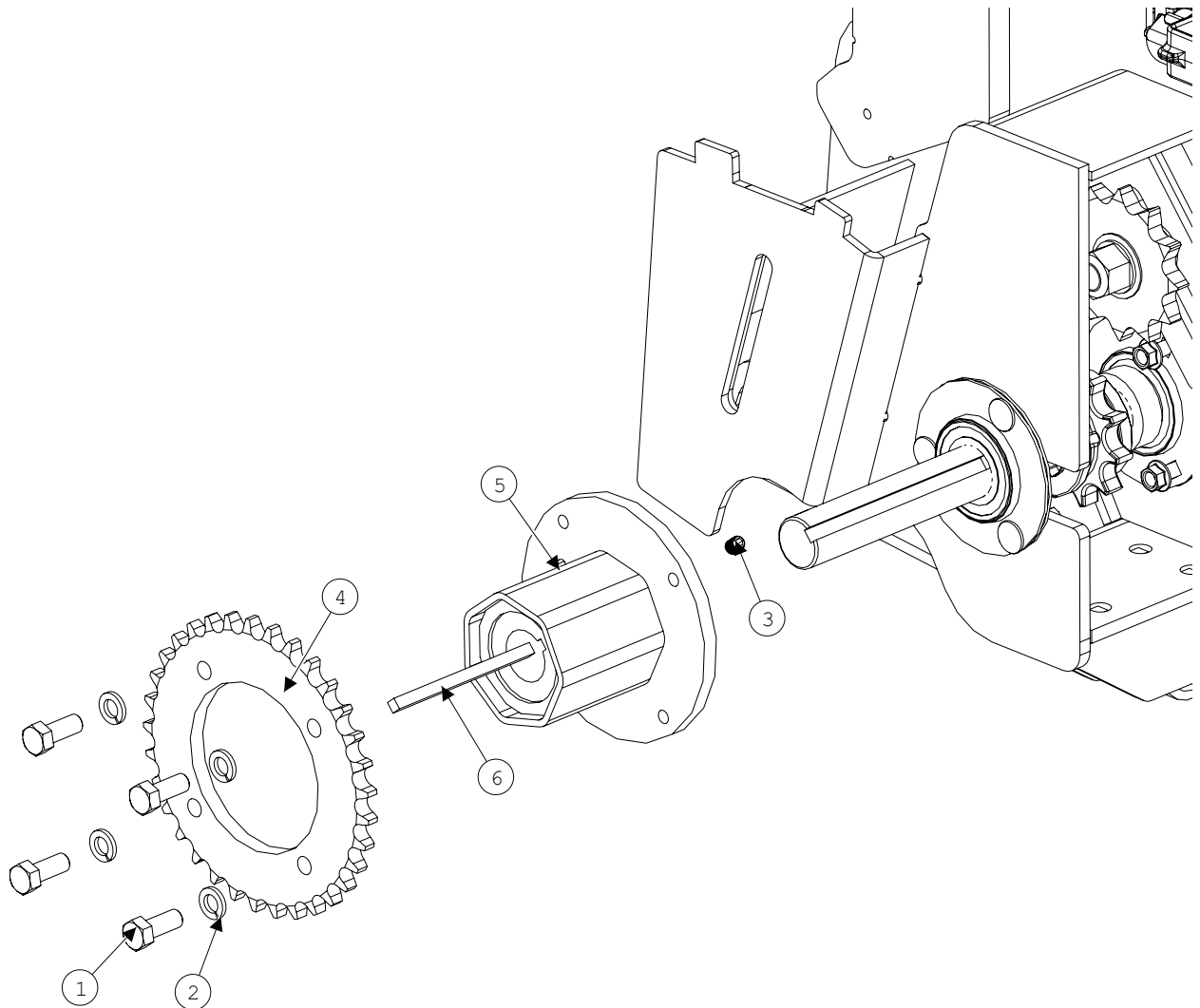


Model JH9010 Hillco Leveling System  
For Serial Numbers JH9010-12001 thru JH9010-12999

<b>Transtion Beater Drive</b>			
<b>BOM ID</b>	<b>Part No.</b>	<b>Qty</b>	<b>Description</b>
1	LA-243691	1	TM ASM, INNER FLANGETTE
2	MC-100548	3	INSERT, BEARING 1-7/16"
3	MC-101339	5	FLANGETTE, ROUND BEARING
4	MC-135511	2	HUB, SPLIT TAPER 1-7/16
5	MC-136151	1	SPROCKET, 80P, 14T TAPER BORE
6	F-KST-06X06X32	2	TM KEY, BEATER DRIVE
7	MC-135491	1	SPROCKET 80P, 11T TB
8	F-CB-10M030F	6	CARR-8.8M10X1.5X30 HEAD SCREW
NS	LP-232162	1	TM CHAIN, 28 PIN 80P
9	MC-139341	1	LINK, CONNECTING, 80P
10	MC-139371	1	LINK, OFFSET, 60P
11	MC-139361	1	LINK, CONNECTING, 60P
12	LP-255132	1	TM CHAIN, 70PIN 60P
13	LA-242431	1	SLIP CLUTCH ASM, RADIAL PIN; SEE NEXT PAGE
14	F-KST-05X05X80	1	TM KEY, RADIAL SLIP CLUTCH
15	F-HCF-16M090E	1	FLHC-10.9 M16X2.0X090
16	LA-273851	1	TM ASM, DRIVE SPROCKET
17	MC-100237	1	SPROCKET, IDLER, 60P, 15T, 5/8B
18	F-FWH-10	10	WASHER, FLAT, 5/8
19	F-HNS-16ME	1	HN-10.9M16X2.0 STV
20	F-HNF-10ME	9	FLHN-10.9 M10 X 1.50
21	F-HNS-20ME	1	HC-10.9M20X2.5 STOVER
22	MC-137441	1	SPOCKET, IDLER 80P, 12T, 3/4
23	F-FWH-12	5	FW 3/4
24	F-HC-20M070E	1	HC-10.9 M20 2.50 X 70 PLT



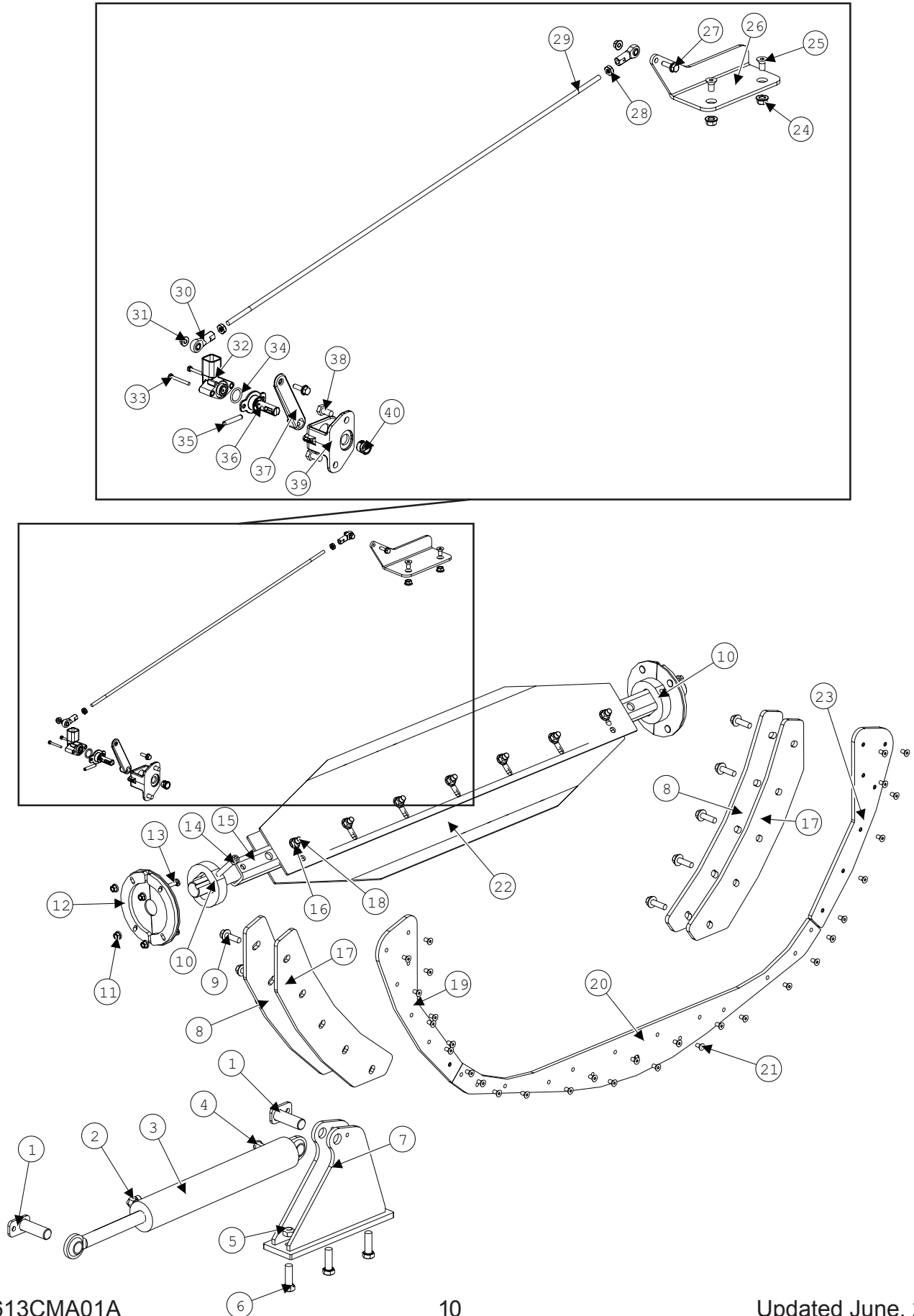
**RADIAL PIN SLIP CLUTCH**



Radial Pin Slip Clutch			
BOM ID	Part No.	Qty	Description
ASM	LA-242431	1	SLIP CLUTCH ASM, RADIAL PIN
1	F-HC8-08F20	4	HC8 1/2-20x1-1/4
2	F-LW-08A	4	LW 1/2 HD
3	F-SSS-06C08	1	SCREW, SOCKET SET 3/8-16x1/2
4	LM-226532	1	TM SPROCKET, RADIAL SLIP CLUTCH
5	MC-136921	1	SLIP CLUTCH, RADIAL 1-7/16B&5/16 KEY
6	F-KST-05X05X80	1	TM KEY,SQ 1018 CD 5/16" X 5"

Model JH9010 Hillco Leveling System  
For Serial Numbers JH9010-12001 thru JH9010-12999

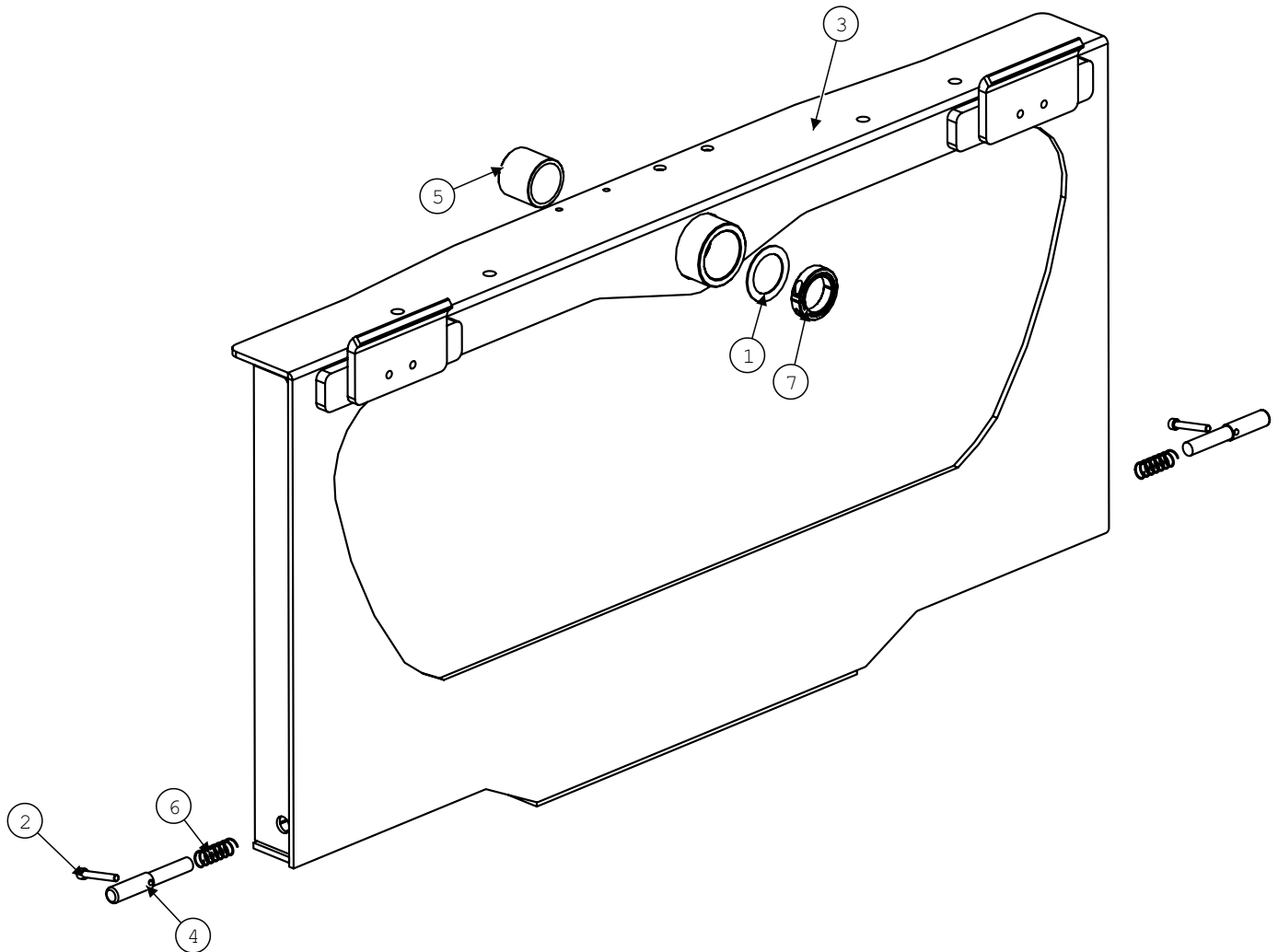
**TRANSITION MIDDLE/TILT SENSOR**



Model JH9010 Hillco Leveling System  
For Serial Numbers JH9010-12001 thru JH9010-12999

Transition Middle/Tilt Sensor				
BOM ID	HILLCO Part No.	JOHN DEERE Part No.	Qty	Description
1	LA-229071	-	2	TM PIN ASM, BASE END
2	HA-L-6MF6MO	-	1	ELBOW, 90°, 6MF x 6MO
3	HC-147491	-	1	CYL, 1-1/8" R, 12-1/2" S, 2-1/2 B, 21" CPC
4	HA-F-6MF6MO	-	1	#6 MORS X #6 MORB 45 DEG
5	F-HNS-16ME	-	3	HN-10.9M16X2.0 STV
6	F-HC-16M50E	-	3	HC-10.9M16X2.00X50
7	LA-229022	-	1	TM MOUNT ASM, ROD
8	LP-249861	-	2	TM PLT, BACKING
9	F-HCF-12M040E	-	10	FLHC-10.9 M12 X 1.75 X 40 PLT
10	LM-286331	-	2	TT PLT, SHAFT SEAL
11	F-HNFS-08ME	-	8	FLHN-10.9M08X1.25 STOVER
12	LA-286311	-	4	TT ASM, CAN
13	F-CB-08M035F	-	8	CARR-8.8M8X1.25X35 HEAD SCREW
14	F-SHC-12M075E	-	2	SHCS-12.9M12x75
15	LA-251632	-	1	TB ASM, SHAFT
16	F-HNFS-12ME	-	7	FLHN-10.9M12X1.75 STVR
17	LP-249871	-	2	TM UHMW, BACKING
18	F-HCF-12M080E	-	7	MM FLHC-10.9 M12 X 1.75 X 80 Plated
19	LM-229161	-	1	TM PLT, WEAR LH
20	LM-229152	-	1	TM PLT, WEAR BOTTOM
21	F-FHS-8M016E	-	32	FHSC-10.9M8X1.25X016
22	LB-286321	-	2	TB PADDLE, METAL (NARROW)
23	LM-229171	-	1	TM PLT, WEAR RH
24	F-HNF-08ME	-	2	FLHN 10.9 M8 X 1.25
25	F-FHS-8M016E	-	2	FHSC-10.9M8X1.25X016
26	LB-296192	-	1	TA MNT, SENSOR LINK
27	F-HCF-06M020F	-	2	FLHC-8.8M6X1.0X20
28,29,30	LA-295572	-	1	TT ASM, SENSOR LINKAGE
28	F-HNJF-04C	-	2	NUT, JAM 1/4-28
29	LS-295502	-	1	TM ROD, SENSOR LINK ASSEMBLY
30	MC-151881	-	2	ROD END, BALL JOINT, FEMALE, 1/4-28
31	F-HNF-06ME	-	2	FLHN-10.9M6X1.00
32	EC-151381	AXE14246	1	SENSOR, ROTATION, HALL 2CH +/-120DE
33	F-HC-04M035E	19M9368	2	HC-8.8M4X0.7X035
34	MC-151391	P48347	1	O-RING, 11/16ID
35	F-PR-06Mx36	-	1	PIN, ROLL 6mm x 36mm
36	MC-151401	AXE14888	1	SHAFT, ROUGH SERVICE DEVICE
37	MC-151351	-	1	ARM, TRANSITION SENSOR
38	F-HC-08M016E	-	2	HC-10.9 M8x1.25X16
39	MC-151321	HXE16001	1	BRACKET, SENSOR MNT
40	MC-151361	R41076	1	BUSHING,

**TRANSITION HEADER ADAPTER**



Transition Header Adapter			
BOM ID	Part No.	Qty	Description
1	F-MB-14NR40	1	MACHINE BUSHING 14GAUGE 2-1/2"
2	F-SHC-10M070F	2	SHCS-8.8 10M X 1.50 X 70 PLT
3	LA-228893	2	TRANSITION HEADER ADAPTER
4	LM-229192	2	TM ROD, LOCK
5	LTP-241721	1	LTM BUSHING, PVT
6	MC-135531	2	SPRING, COM, 1"ODx2-7/8"Lx .0625W
7	MC-150741	1	Clamping Collar 2-1/4" ID (Climax 2C-225)

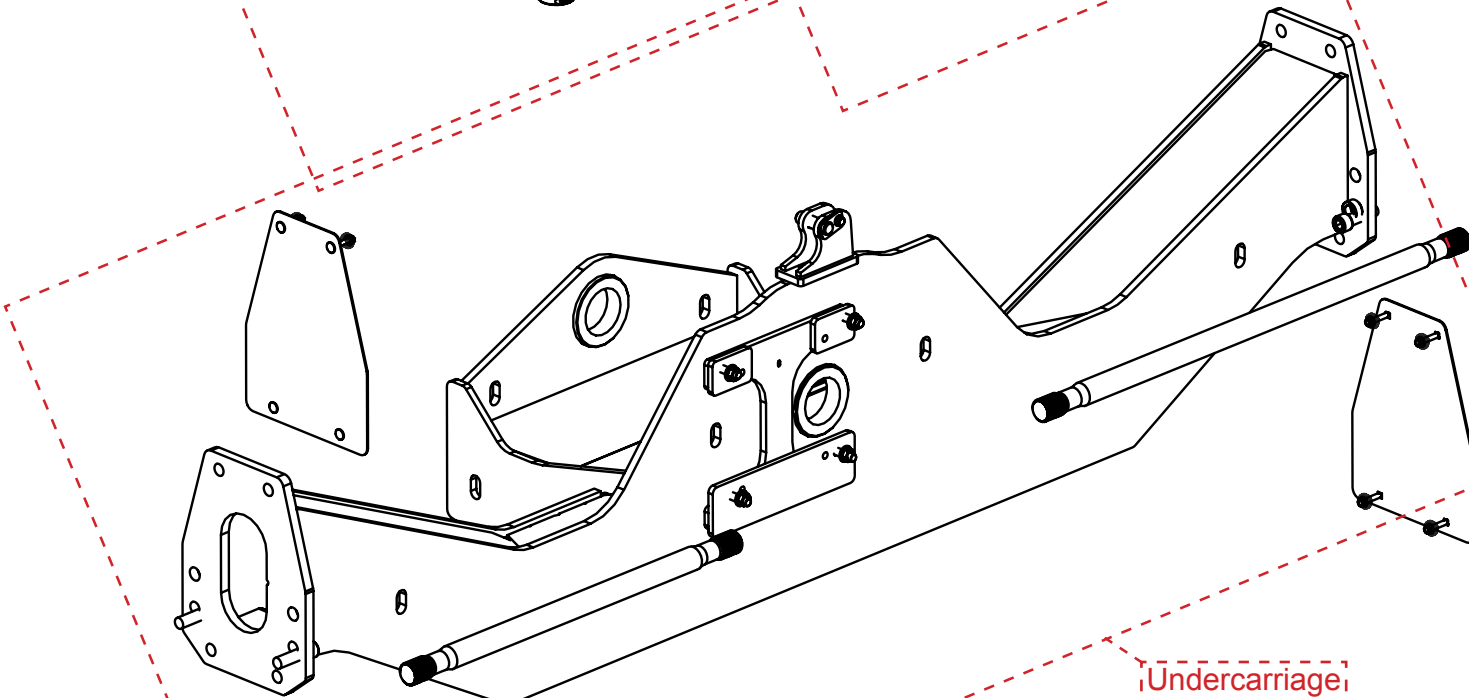
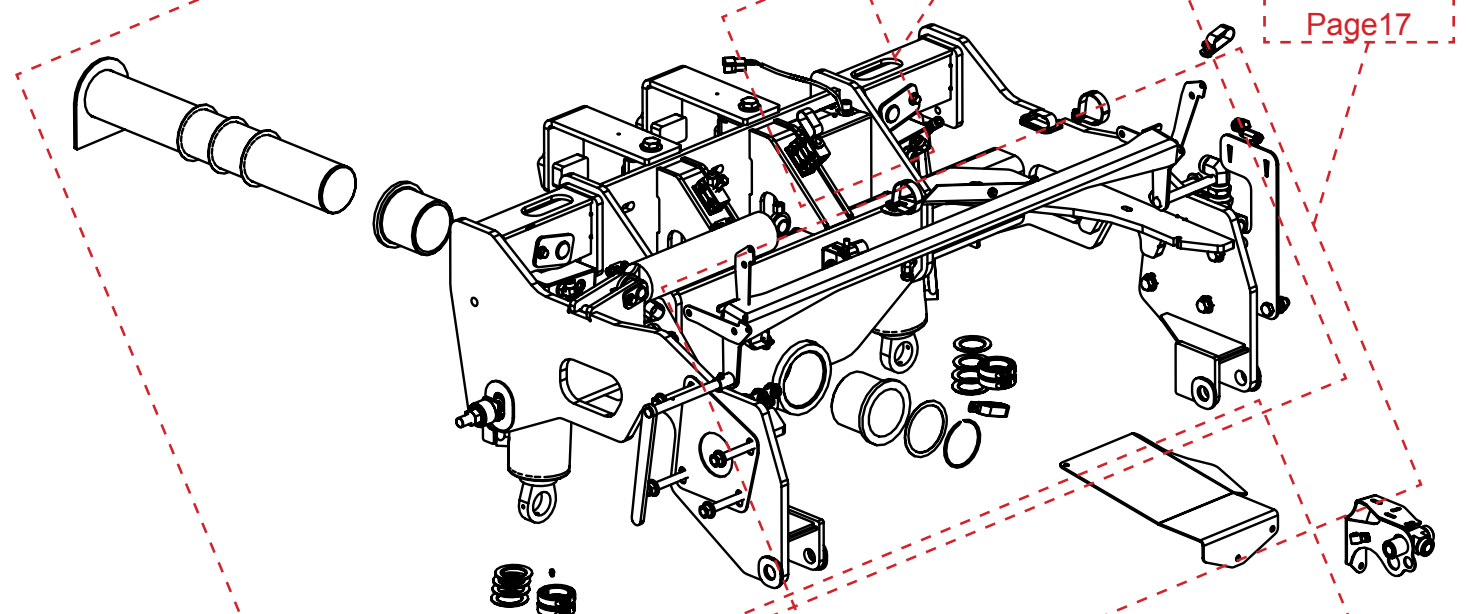
Model JH9010 Hillco Leveling System  
For Serial Numbers JH9010-12001 thru JH9010-12999

**Carriage**

Overcarriage  
Page 14

Carriage  
Position Sensor  
Page 18

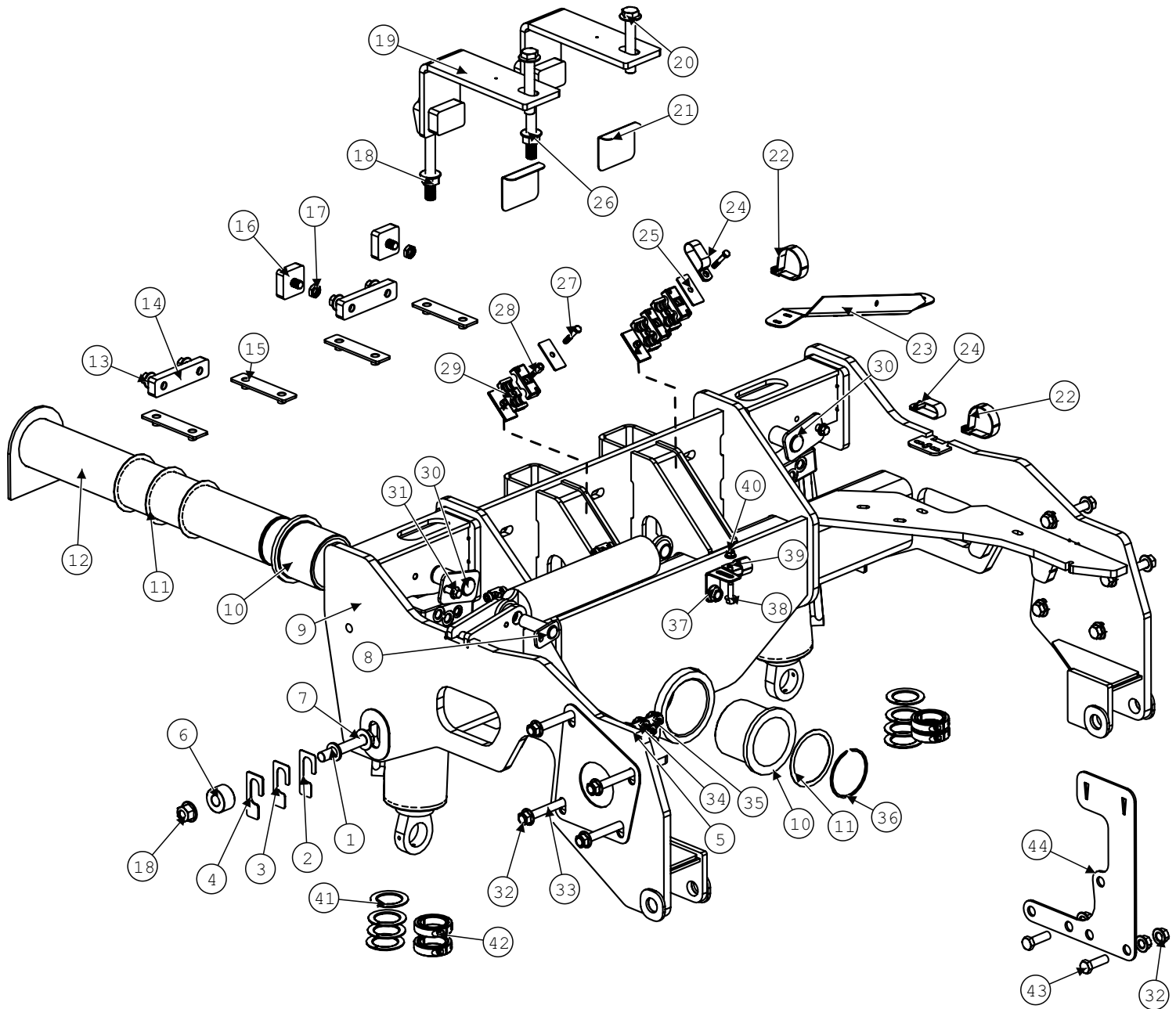
Misc.  
Carriage  
Parts  
Page 17



Undercarriage  
Page 16

Model JH9010 Hillco Leveling System  
For Serial Numbers JH9010-12001 thru JH9010-12999

**Overcarriage**

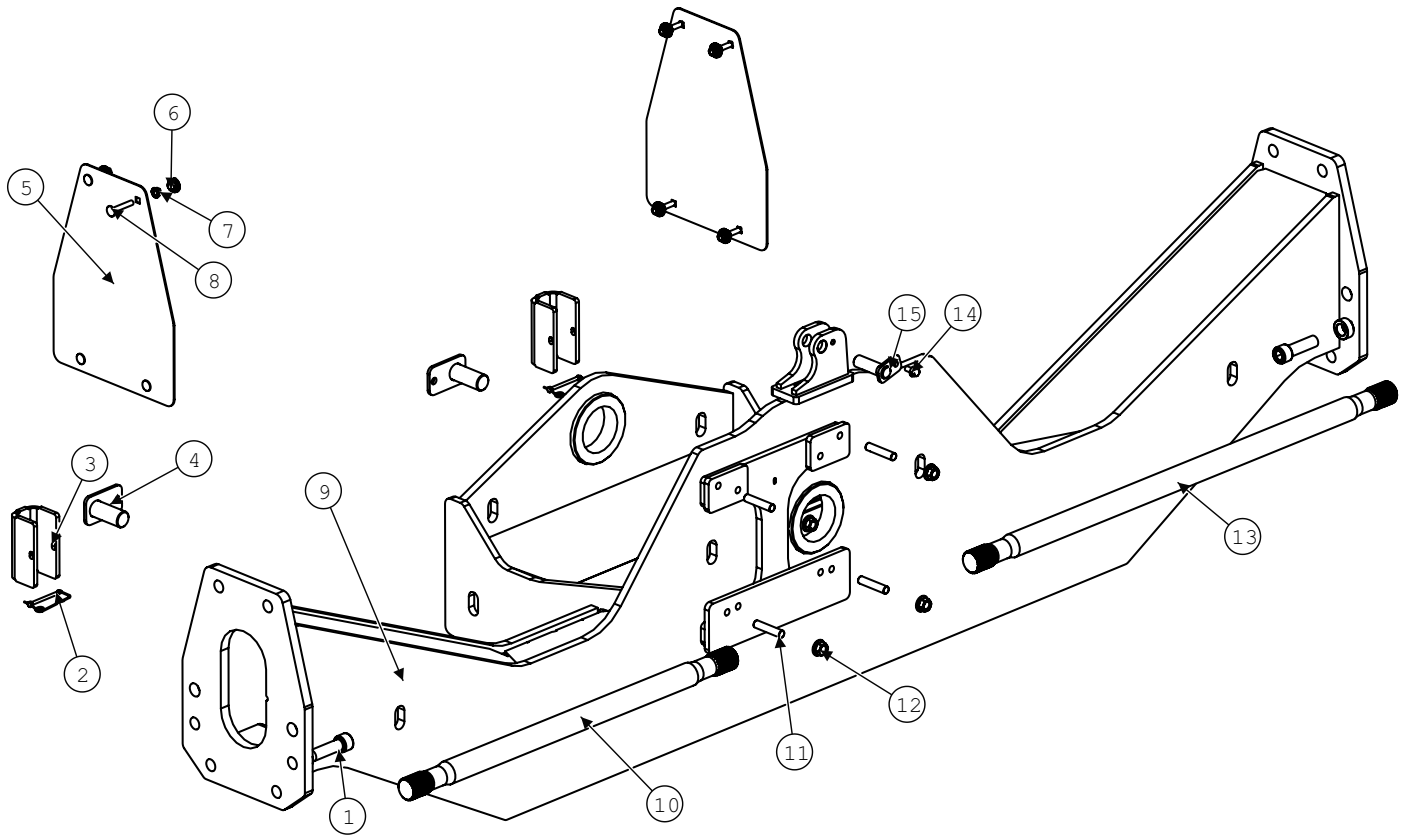


Model JH9010 Hillco Leveling System  
For Serial Numbers JH9010-12001 thru JH9010-12999

<b>Overcarriage</b>			
<b>BOM ID</b>	<b>Part No.</b>	<b>Qty</b>	<b>Description</b>
1	F-LWC-14	2	WASHER, LOCK, CONICAL 7/8"
2	LP-276151	2	CM PLT, BODY SHIM 18GA
3	LP-276141	2	CM, PLT, BODY SHIM 14 GA
4	LP-276131	2	CM PLT, BODY SHIM 1/8
5	HC-138011	5	ZERK, GREASE 1/4-28 STR
6	LM-259831	2	CU BUSHING, FINAL BOLT
7	F-HCF-20M120E	2	FLHC-10.9M20X2.5X120
8	LW-293491	1	TM PIN ASM, BASE END
9	LW-291331	1	CO WLD, BASE
10	LP-247961	2	CM BUSHING, PIVOT
11	MC-138641	4	WASHER; 4.016ID X 4.764OD X 0.048
12	LW-291351	1	CM WLD, PIVOT PIN (JS-9010)
13	F-HCF-16M030E	4	FLHC-10.9 M16 X 2.00 X 30
14	LM-291731	2	CO PLT, CARRIAGE LOCK
15	LW-293561	4	CO WLD, LOWER CARRIAGE SHIM (9010)
16	LW-293581	2	CO WLD, UPPER CARRIAGE SHIM (9010)
17	F-HNJ-16MF	2	HN-8.8 M16 X 1.75 JAM PLT
18	F-HNSF-20ME	4	FLHN-10.9M20X2.5 STVR
19	LW-293631	2	CM WLD, AXLE CLAMP (9010)
20	F-HCF-20M120F	2	FLHC-10.9 M20X2.5X120
21	LP-270041	2	CM PLT, CARRIAGE SHIM
22	MC-101343	2	CLAMP, HOSE 2-7/16" R/C W/ 3/8" HOLE
23	LM-274901	1	LM PLT, SUPPORT, HYDRO HOSE
24	MC-147781	2	CLAMP 1/4" DOUBLE LOOP 3/8HOLE
25	HC-139451	2	BEHRINGER TWIN COVER PLT 0.875
26	F-HCF-20M220E	2	FLHC 10.9M20X2.50X220 (JD#19M8988)
27	F-HC5-05C32	2	HC5 5/16-18 X 2
28	HC-139471	1	STACK BOLT, BEHRINGER 5/16-18
29	HC-139431	6	BEHRINGER TWIN CLAMP -.750 DIA
30	LA-230552	2	CM PIN ASM, MAIN CYLINDER
31	F-HCF-12M025E	2	FLHC-10.9M12X1.75X25
32	F-HNF-16ME	13	FLHN-10.9M16X2.0
33	F-HCF-16M110E	8	FLHC-10.9 M16 X 2.00 X 110 PLT
34	HA-NJ-2FN	5	1/8" NPSM BULKHEAD LOCKNUT
35	HA-S-2FP2MN	5	UNION, 1/8" NPSMx1/8" FPT, BULKHEAD
36	MC-138651	1	SNAP RING; 4"
37	LP-276881	1	LM PLT, BRACKET, PRO-DRIVE BRAKE
38	F-HCF-10M030E	1	FLHC 10.9 M10 X 1.5 X 30
39	EC-142101	1	CLAMP, HOSE R/C, 3/8
40	F-HNF-10ME	1	FLHN-10.9 M10 X 1.50
41	MC-137501	8	WASHER, QUICK REPAIR 2"
42	MC-137251	4	COLLAR, 2 PIECE CLAMPING, 2" BORE
43	F-HC-16M050E	2	HC-10.9M16x50
44	LP-297821	1	LM PLT, MANIFOLD SPACER

Model JH9010 Hillco Leveling System  
For Serial Numbers JH9010-12001 thru JH9010-12999

**Undercarriage**

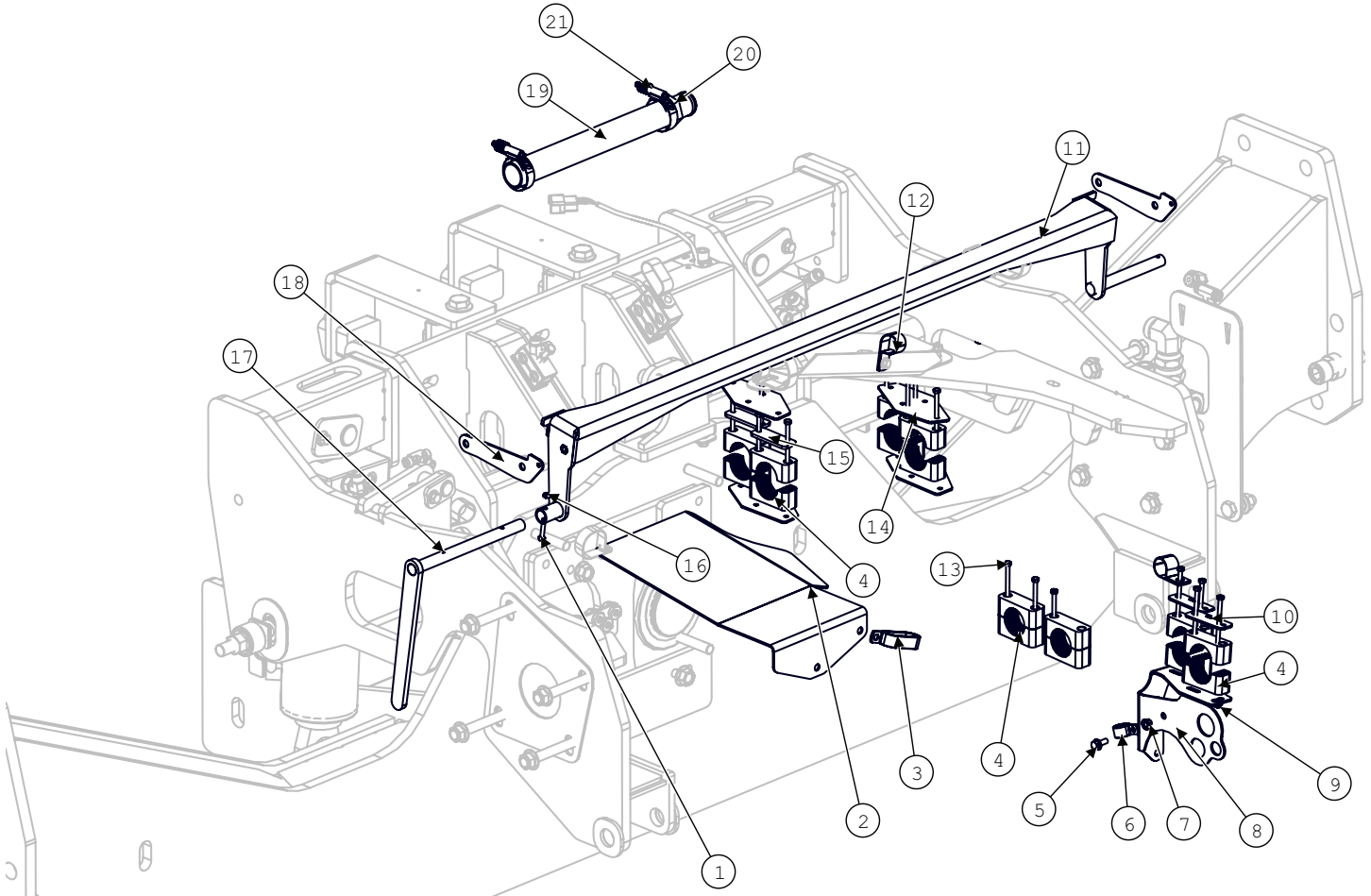


Undercarriage			
BOM ID	Part No.	Qty	Description
1	F-SHC-24M080D	4	SHCS 12.9-M24 X 3 X 80 PLT
2	F-PSL-04X48	2	SNAP LOCK PIN 1/4 X 3
3	LP-249321	2	CM SPACER, SHIPPING
4	LA-230552	2	CM PIN ASM, MAIN CYLINDER
5	LP-293831	2	CM SHT, CAP, AXLE
6	MC-151021	8	BUSHING, PLASTIC (JD#Z31550)
7	F-HNF-10ME	8	FLHN-10.9 M10 X 1.50
8	F-CB-10M050F	8	CARR-8.8M10X1.5X50 HEAD SCREW
9	LW-291431	1	CU WLD, UNDERCARRIAGE, 122.5
10	MC-151531	1	SHAFT, DRIVE 951MM
11	F-STD-16M075E	4	STUD, DOUBLE-10.9 M16X2.00X75
12	F-HNF-16ME	4	FLHN-10.9M16X2.0
13	MC-151541	1	SHAFT, DRIVE 1228MM
14	F-HCF-10M020E	1	
15	LW-293491	1	TM PIN ASM, BASE END



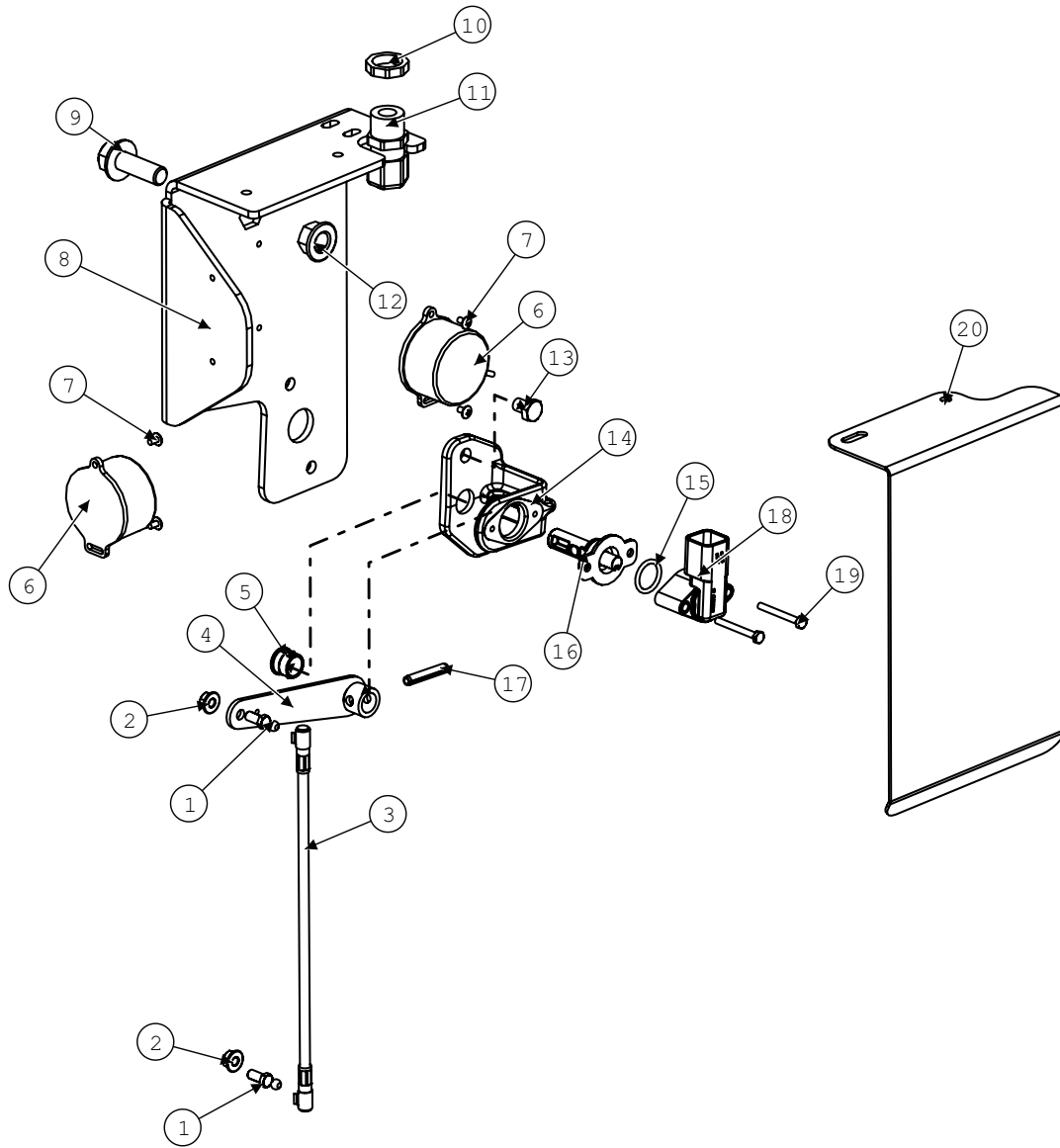
Model JH9010 Hillco Leveling System  
For Serial Numbers JH9010-12001 thru JH9010-12999

**Carriage Misc. Parts**



Overcarriage Misc.			
BOM ID	Part No.	Qty	Description
1	F-HC-06M035E	1	HC-10.9 M6x1.0X35
2	LP-274251	1	HM PLT, TABLE HYDRO HOSE
3	MC-151781	1	CLAMP, P-STYLE (JD#AH77884)
4	HC-140641	8	CLAMP, 2" BEHRINGER STD
5	F-HCF-08M020E	1	FLHC-10.9M8X1.25X20
6	HC-135791	1	CLAMP, HOSE 7/8 R/C W 3/8HOLE (JD#AH78237)
7	F-HNF-08ME	1	FLHN-10.9M8X1.25
8	LW-297311	1	LM WLD, HYDRO HOSE SUPPORT
9	F-HNF-06ME	4	FLHN-10.9M6X1.00
10	HC-140651	2	BEHRINGER STD COVER PLATE
11	LA-264511	1	LM ASM, LINKAGE, ROCK TRAP
12	HC-143601	2	CLAMP, HOSE 1-1/8" R/C W 3/8
13	F-HC-06M090F	15	HC-8.8 M6 X 1.00 X 90
14	LP-274231	4	HM PLT, HYDRO HOSE SUPPORT
15	LP-276391	2	HM CLAMP SPACER
16	F-HNN-06MF	1	HN-8.8M6X1.0 NYLOCK
17	LA-264501	1	LM ASM, HANDLE, ROCK TRAP
18	LP-290741	2	LM SHT, ROCK TRAP LINKAGE, UPPER
19	LA-276351	1	HOSE, 1-1/2" BELLOWSFLEX HARDWALL 14"
20	HA-U-24MB24MB	1	UNION, -24MB x -24MB
21	MC-152061	2	CLAMP, HOSE, WORM GEAR, 1.5" TO 2.5"

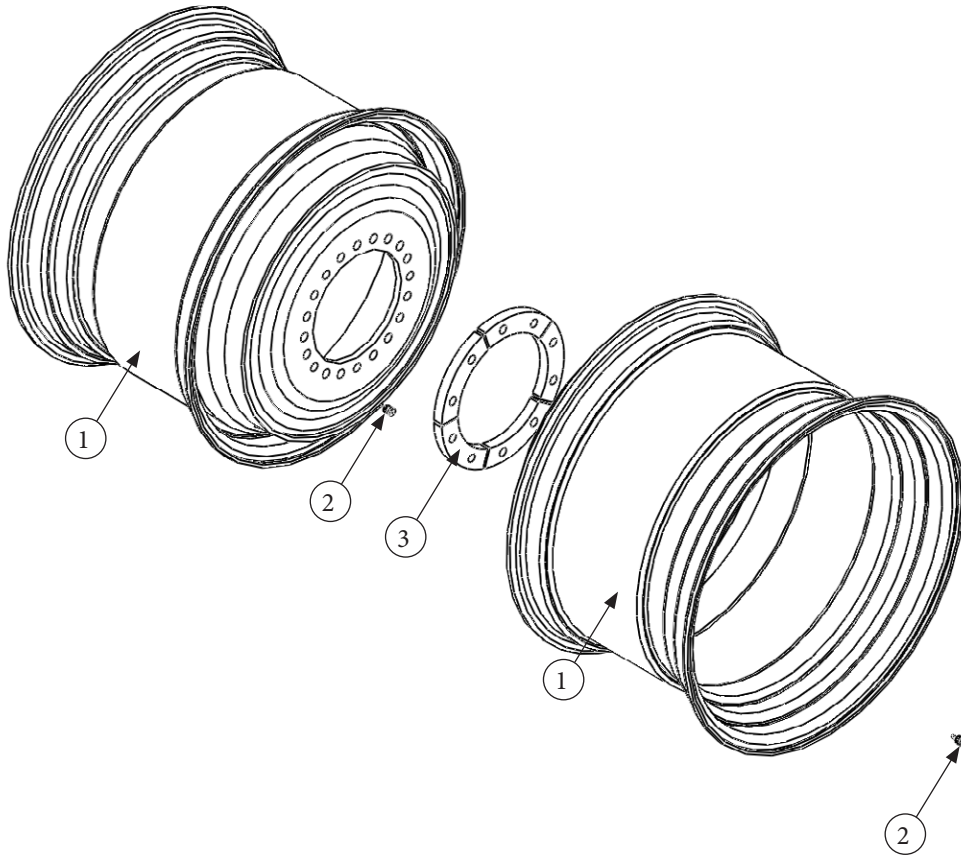
### Carriage Position Sensor



Model JH9010 Hillco Leveling System  
For Serial Numbers JH9010-12001 thru JH9010-12999

Carriage Position Sensor				
BOM ID	Hillco Part No.	John Deere Part No.	Qty	Description
1	MC-151341	H168732	2	BALL STUD (H168732)
2	F-HNF-06ME	-	2	FLHN-10.9M6X1.00
3	MC-151331	AH226146	1	LINKAGE, POSITION (AH226146)
4	MC-151371	AXE17303	1	ARM, ASSY, TILT SENSOR, HM (axe17303)
5	MC-151361	R41076	1	BUSHING, (R41076)
6	LA-295431	-	2	EM ASM, CLINOMETER
7	F-PHM-#C604	-	4	PHMS #6-32X1/4
8	LB-295142	-	1	EM SHT, SENSOR MNT, CLINOMETER
9	F-HCF-12M035E	-	1	FLHC 10.9 M12 X 1.75 X 35 PLT
10	EC-142121	-	1	STRAIN RELIEF NUT, 1/2" BLACK
11	EC-138781	-	1	STRAIN RELIEF, NYLON, BLK,
12	F-HNF-12ME	-	1	FLHN-10.9 M12 x 1.75 PLT
13	F-HC-08M010F	19m7008	2	HC-8.8M8X1.25X10 (19m7008)
14	MC-151321	HXE16001	1	BRACKET, SENSOR MNT (HXE16001)
15	MC-151391	P48347	1	O-RING, 11/16ID (P48347)
16	MC-151401	AXE14888	1	SHAFT, ROUGH SERVICE DEVICE (AXE14888)
17	F-PR-06Mx36	-	1	PIN, ROLL 6mm x 36mm
18	EC-151381	AXE14246	1	SENSOR, ROTATION, HALL 2CH +/-120DE (axe14246)
19	F-HC-04M035E	19M9368	2	HC-8.8M4X0.7X035 (19m9368)
20	LB-303151	-	1	EM SHT, SHIELD SENSOR

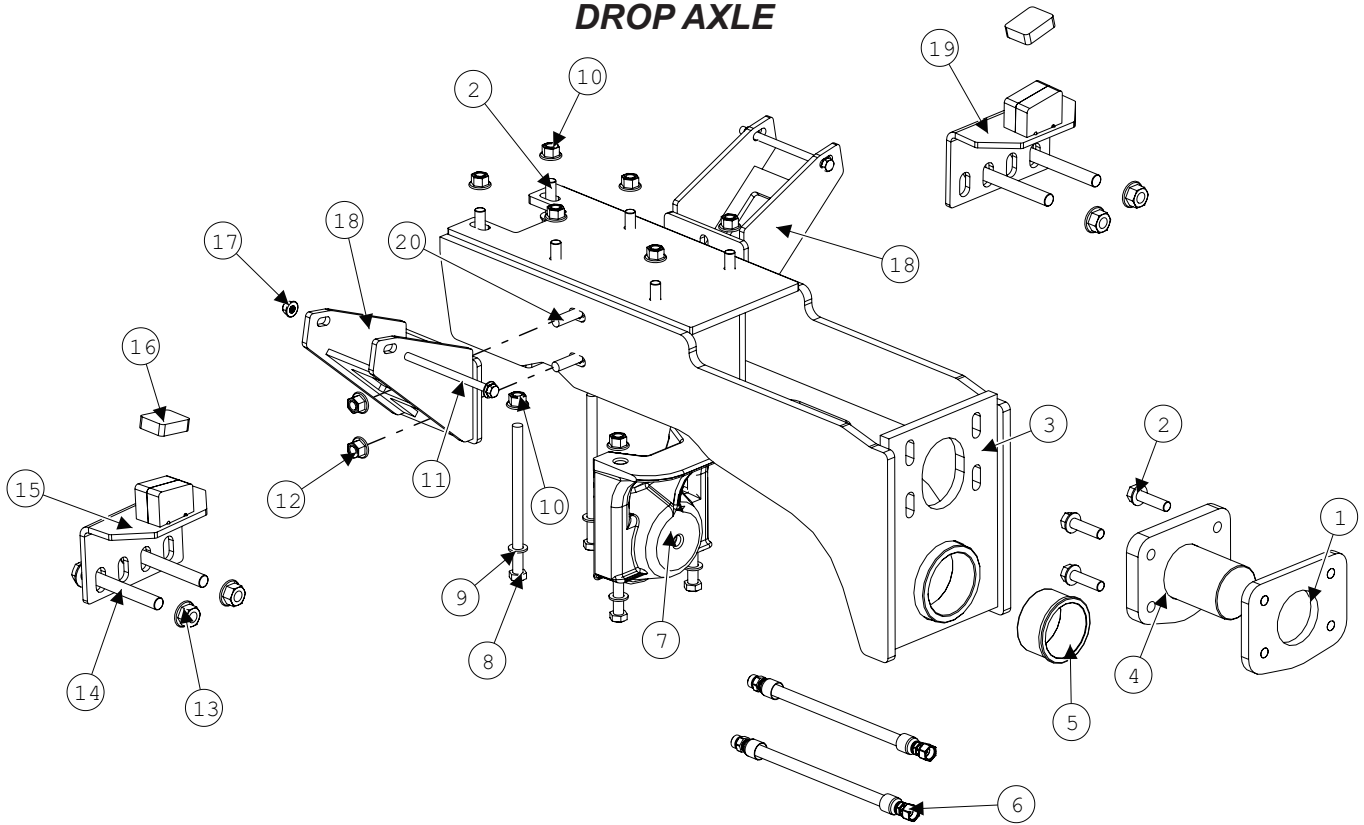
**DRIVE WHEEL**



<b>DRIVE WHEEL COMPONENTS</b>				
<b>REF.</b>	<b>PART NO.</b>	<b>QTY.</b>	<b>PART NAME</b>	<b>NOTES</b>
1	MC-143131	4	32 X 21 SINGLE PIECE WHEEL	
2	MC-143921	4	VALVE STEM	
ASM	LA-265961	2	SET, WHEEL CLAMPING RING ASSEMBLY	1 SET PER SIDE
3	LP-260112	10	RING, WHEEL CLAMPING	5 PER SET
<b>STEER WHEEL COMPONENTS</b>				
NS	JD PART NO AXE10349		4 WD REAR WHEEL	JOHN DEERE SUPPLIED PART
NS	JD PART NO AT25226		REAR WHEEL VALVE STEM	JOHN DEERE SUPPLIED PART

Model JH9010 Hillco Leveling System  
For Serial Numbers JH9010-12001 thru JH9010-12999

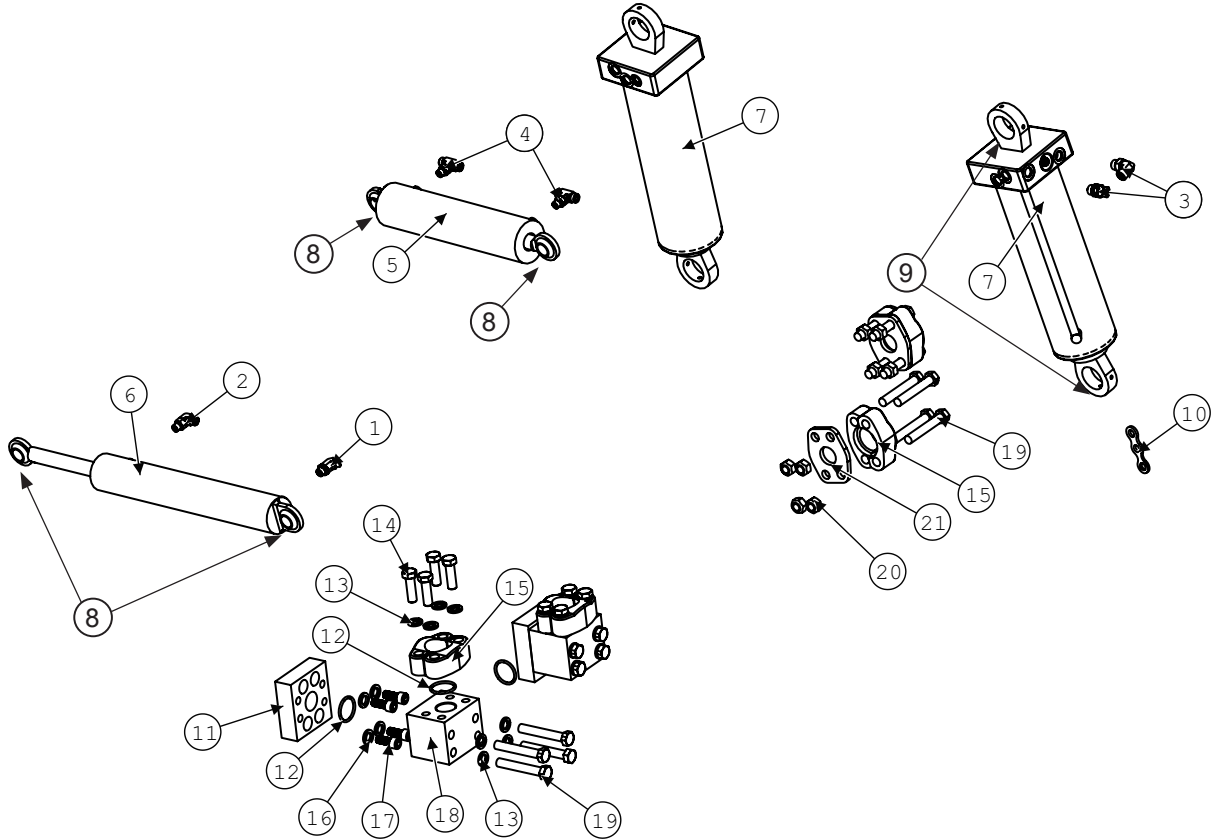
**DROP AXLE**



Drop Axle			
BOM ID	Part No.	Qty	Description
1	LP-291091	1	DA PLT, PVOT LOCK
2	F-HCF-16M060E	10	FLHC-10.9 M16 X 2.0 X 60
3	LW-291021	1	DA WLD
4	LW-291071	1	DA WLD, PIVOT
5	LP-235092	1	LM BUSHING, DA PIVOT
6	LA-273461	2	HOSE, 3/8" R2 #8FF#8MF 15"
7	LM-299801	1	DA STAND-OFF, REAR AXLE
8	F-HC-16M250E	4	M16X2.0X250 HEX HEAD SCREW
9	F-FW-10	4	WASHER, FLAT, 5/8
10	F-HNSF-16ME	10	FLHN-10.9M16X2.00 STV
11	F-HCF-12M180E	2	FLHC-10.9M12X2.0X180
12	F-HNFS-16ME	4	FLHN-10.9M16X2.00 STV
13	F-HNF-20ME	4	FLHN-10.9 M20X2.50
14	F-HCF-20M160E	4	FLHC-10.9 M20X2.5X160
15	LW-299781	1	DA WLD, ROTATION STOP LFT
16	LP-299891	2	DA PLT, ROTATION STOP SPACER
17	F-HNFS-12ME	2	FLHN-10.9M12X1.75 STVR
18	LW-299841	2	DA WLD, WING
19	LW-299791	1	DA WLD, ROTATION STOP RHT
20	F-CB-16M050E	4	CARR-10.9M16X2.0X90

Model JH9010 Hillco Leveling System  
For Serial Numbers JH9010-12001 thru JH9010-12999

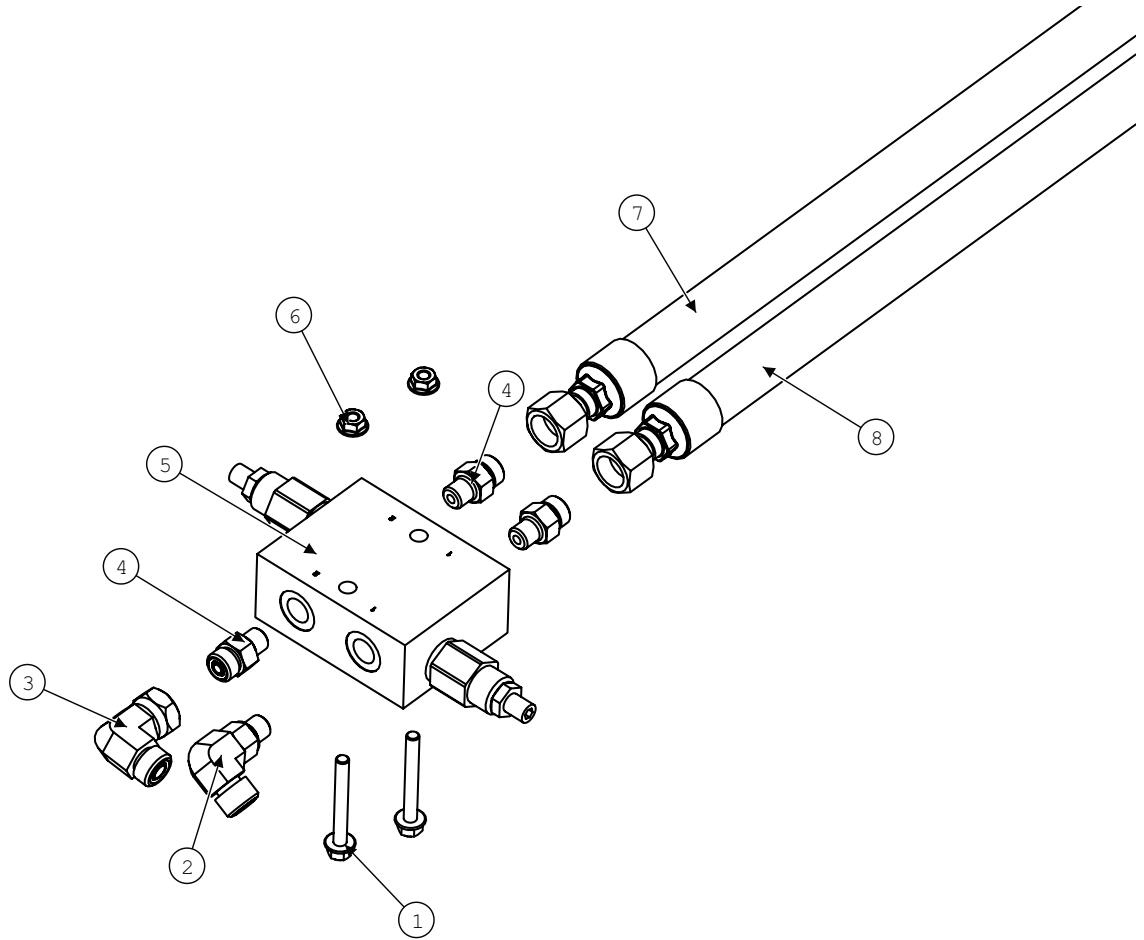
**Hydraulic Components**



Hydraulic Components			
BOM ID	Part No.	Qty	Description
1	HA-F-6MF6MO	2	#6 MORS X #6 MORB 45 DEG
2	HA-L-6MF6MO	2	ELBOW, 90°, 6MF x 6MO
3	HA-L-8MF8MO	3	ELBOW, 90°, #8MORS#8MORB
4	HA-Q-06MF06MO	5	TEE, STRAIGHT THREAD, BRANCH -6MF x -6MO
5	HC-140342	2	MASTER CYLINDER, 3"B, 8-3/4"S,1-3/8"R, 17-1/4"CPC, CROSS
NS	HC-134201	-	SEAL KIT, MASTER CYLINDER
6	HC-147491	4	SLAVE CYLINDER, 2-1/2 B, 1-1/8" R, 12-1/2" S, 21" CPC
NS	HC-138581	-	SEAL KIT, SLAVE CYLINDER
7	HC-151001	2	LEVELING CYLINDER, 4-1/2"B,11"S,2"R, 22-1/2 CPC
NS	HC-135221	-	SEAL KIT, LEVELING CYLINDER
8	MC-150881	4	1" BEARING, SEALED SPHERICAL
9	MC-150881	4	1 3/8" BEARING, SEALED SPHERICAL
10	LP-274391	1	LM PLT, HYDRO HOSE SPACER
11	LM-272092	2	CODE 62 90° 1-1/4 ROTATIONAL ADAPTER
12	HC-147621	8	O-RING, CODE 62, 1-1/4"
13	F-LW-09	16	LW 9/16 HD
14	F-HC-14M045E	8	HC-10.9M14 X2.0X45
15	HC-147611	8	FLANGE, 1-1/4" CODE 62, HALF
16	F-LWHC-09	8	LW 9/16 HD HIGH COLLAR
17	F-SHC-14M030D	8	SHCS-12.9M14X2.0X30
18	LM-272082	2	HM BLOCK, CODE 62 1-1/4 90°
19	F-HC-14M090E	16	HC-10.9 M14X2.0X90
20	F-HNS-14ME	8	HN-10.9M14X2.0 STVR
21	LM-272161	2	HM PLT, CODE 62 1-1/4 UNION

Model JH9010 Hillco Leveling System  
 For Serial Numbers JH9010-12001 thru JH9010-12999

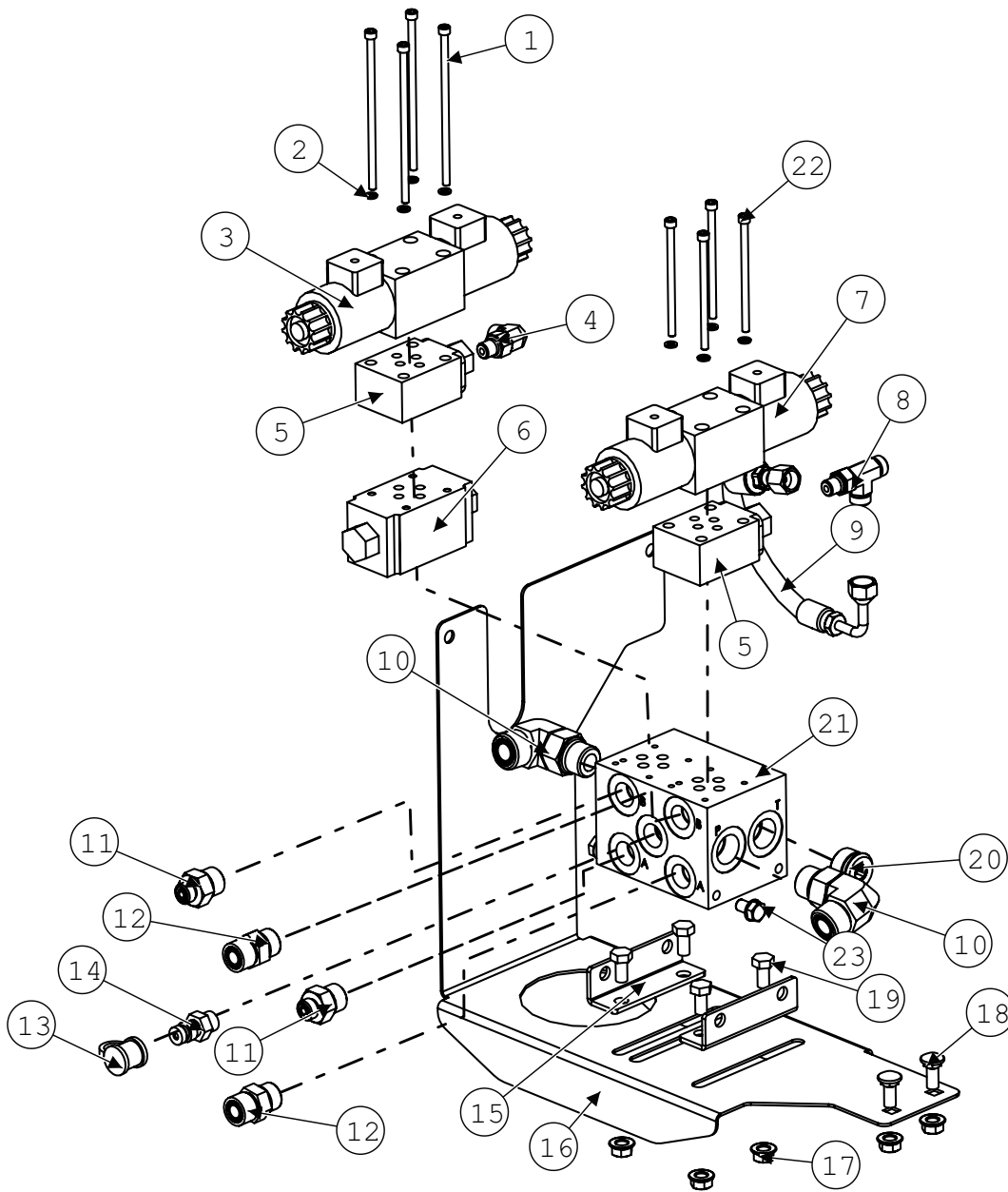
**Cross Port Relief**



Cross Port Relief			
BOM ID	Part No.	Qty	Description
1	F-HCF-06M050E	2	FLHC-10.9 M6x1.0x50
6	F-HNF-06ME	2	FLHN-10.9M6X1.00
3	HA-L-06FF06MF	1	ELBOW, 90°, -6FF x -6MF
2	HA-L-6MF4MO	1	ELBOW, -6MORS X -4MORB
4	HA-S-6MF4MO	3	STR, -6MORS X -6MORB
5	HC-138691	1	MANIFOLD, RELIEF VALVE
7	LA-298441	1	100R2-06 X 46", -6FF STR x -6FF STR; Cross Port Relief to Base Port of Slave Cylinder
8	LA-298451	1	HOSE ASM, 100R2-06 35", -6FF STR x -6FF STR; Cross Port Relief to Rod Port of Slave Cylinder

Model JH9010 Hillco Leveling System  
For Serial Numbers JH9010-12001 thru JH9010-12999

**Dual Station Manifold**

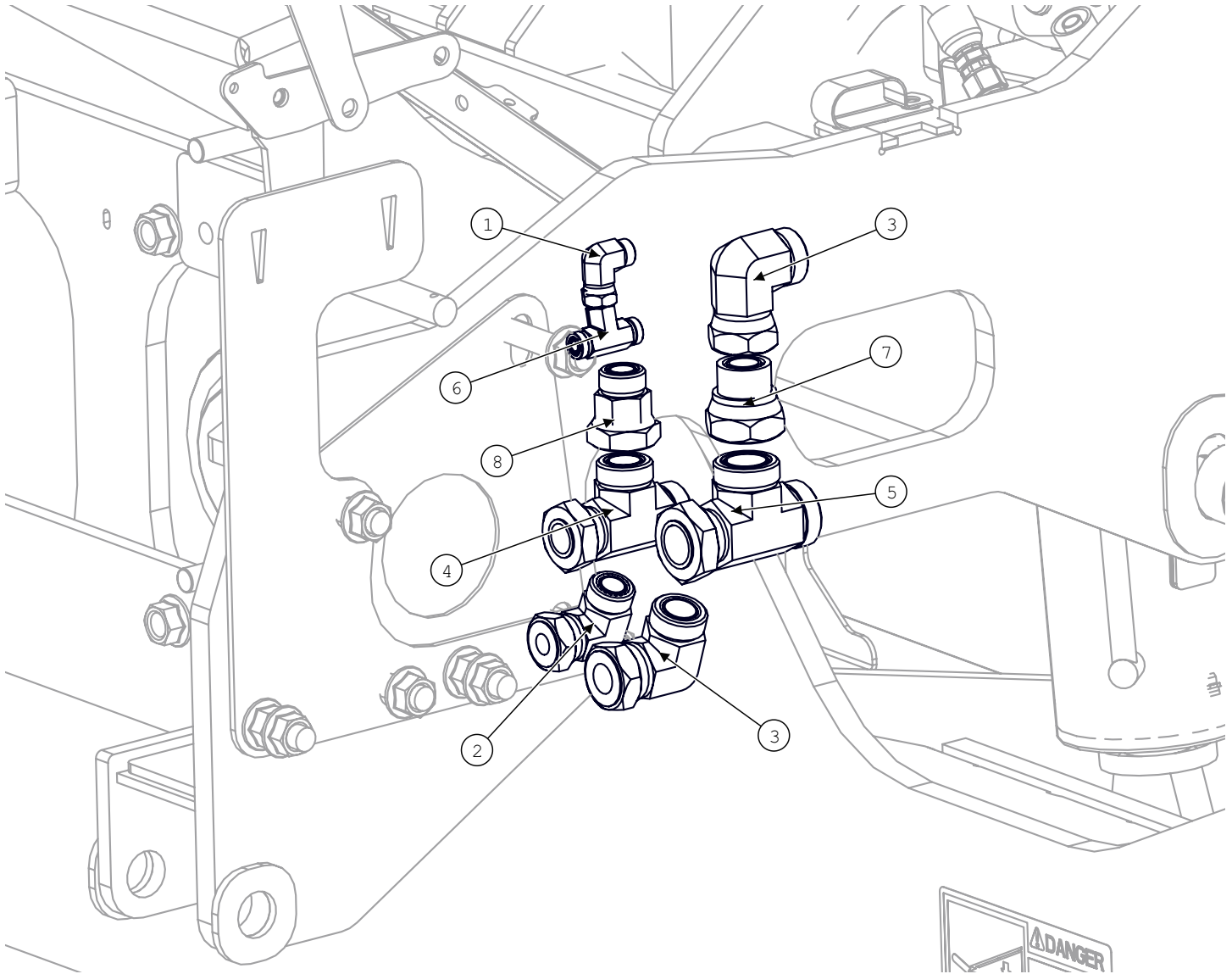




Model JH9010 Hillco Leveling System  
For Serial Numbers JH9010-12001 thru JH9010-12999

Dual Station Manifold			
BOM ID	Part No.	Qty	Description
1	F-SHC-#10C72	4	SHC 10-24 X 4-1/2"
2	F-LW-#10	8	WASHER, LOCK, SPLIT RING, #10
3	HC-151871	1	VALVE, D03, PRO, MOTOR, (PRM2-063Y11/30-12)
4	HA-L-4MF4MO	1	ELBOW, 90°, -4MF x -4MO
5	HC-101264	2	VALVE ASM, LOAD SENSE SHUTTLE
6	HC-101034	1	CHECK VALVE, DUAL PILOT OPERATED
7	HC-140411	1	VALVE, D03, PRO, CLY, (PRM2-063Z11/30-12)
8	HA-T-4MF4MO	1	TEE, RUN, 4MF x 4MO
9	LA-300651	1	HOSE ASM 100R2-04 13", -4FF STR x -4FF 90°
10	HA-L-10MF10MO	2	ELBOW, 90°, -10MF x -10MO
11	HA-S-4MF8MO	2	STR, -4 MF x -8 MO
12	HA-S-8MF8MO	2	STR, -8MF x -8MO
13	HC-144001	1	COVER, DUST
14	HC-143991	1	COUPLER, QUICK-CONNECT HYD
15	LP-267511	2	HM, PLT, MOUNT, MANIFOLD
16	LB-296131	1	HM PLT, MANIFOLD MNT
17	F-HNF-08ME	6	
18	F-CB-08M020F	2	CARR-8.8M8X1.25X20 HEAD SCREW
19	F-HC-8M016F	4	HC-8.8M8X1.25X.16
20	HA-E-10MO	2	PLUG, SOCKET HEAD, -10
21	HC-138851	1	MANIFOLD, 2-STATION (DAMEN AD03P022S)
22	F-SHC-#10C52	4	SHC 10-24 X 3-1/4
23	F-HCF-05C08	4	FLHC 5/16-18 X 1/2 SERRATED

**John Deere Header Lift Manifold Fittings**



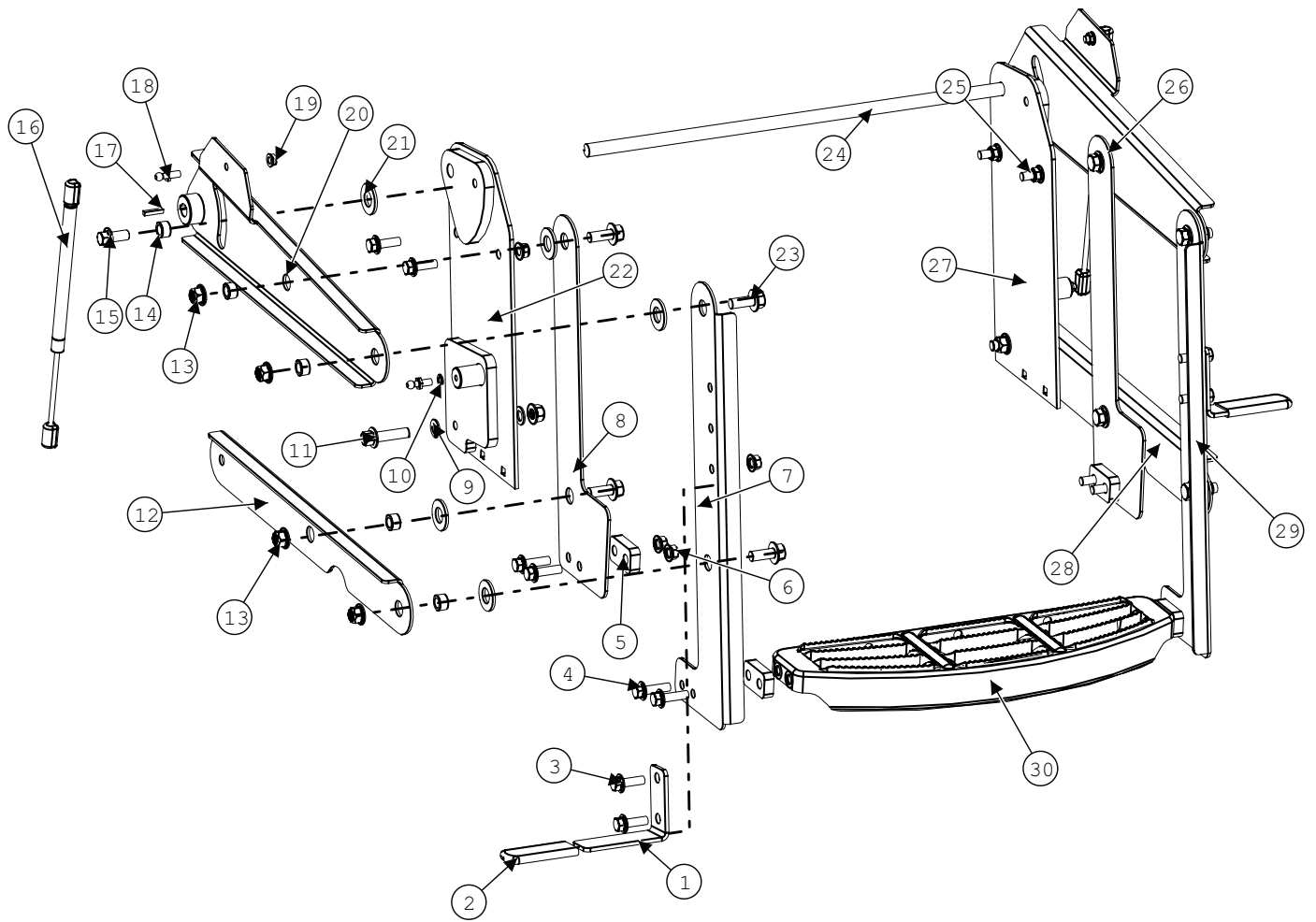
John Deere Header Lift Manifold Fittings			
BOM ID	Part No.	Qty	Description
1	HA-L-06FF06MF	1	ELBOW, 90°, -6FF x -6MF
2	HA-L-12MF12FF	1	ELBOW, 90°, -12MF x -12FF
3	HA-L-16FF16MF	2	ELBOW, 90°, -16MF x -16FF
4	HA-M-16FF16MF	1	TEE, SWIVEL NUT, RUN, #16
5	HA-M-20FF20MF	1	TEE, SWIVEL NUT, RUN, #20
6	HA-M-6FF6MF	1	TEE, SWIVEL NUT, RUN, -6FF x -6MF
7	HA-S-20FF16MF	1	STR, -20FF x -16MF
8	HA-S-16FF12MF	1	STR, 16FF x 12MF

Model JH9010 Hillco Leveling System  
For Serial Numbers JH9010-12001 thru JH9010-12999

Hydraulic Hoses			
Part Number	Quantity	Description	Where Used
LA-273462	2	100R2-08 62", #10FF x #8FF 90°	Filter Head; Front and Side Ports to Valve Block Ports
LA-274141	1	100R15-20 124", 90° XR FLNG x STR FLNG	Extends Rear Hydrostat Line
LA-274152	1	100R15-20 121", 90° MR FLNG x STR FLNG	Extends Forward Hydrostat Line
LA-274162	1	100R2-06 32" #6FORS X #8FORS 90°	Replaces AH223259; Connect Proportionator Case Drain to Transmission
LA-276351	1	100R2-06 47" #8FORS #8FORS 90°	Extends Breather Line (Only on some models)
LA-295601	2	100R2-08, 103" 08FORSx08FORS	Leveling Hose from Manifold to Right Leveling Cylinder
LA-295601	2	100R2-06 X 195" -.06FF STR x -06FF STR	Leveling Hose from Manifold to Left Leveling Cylinder
LA-297421	1	100R2-10 66", -10FF 90° x -10MF STR	Extends AH226084 to Proportionator Motor Supply
LA-297441	1	100R1-12 66", -12FF 90° x -12MF STR	Extends AH226085 to Proportionator Pump Supply
LA-297451	1	100R2-10 147", -10FF STR x -10FF 90°	Replaces AH219243; Connects Rear Filter Port to Proportionator Motor Return
LA-297481	1	100R2-06 31", -6FF 90° x -6MF STR	Extends AH226119 to the Transmission Lube
LA-297641	1	100R2-06 78", -06MF STR x -06FF 90°	Extends Right Brake Line
LA-297651	2	100R2-06 60", -06MF STR x -06FF STR	Extends Left Brake Line; Extends Lube Line
LA-297841	1	100R1-12 68", -16 90° x -10 STR	Leveling Manifold Return
LA-297851	1	100R2-10 72", -12 90° X -10 STR	Pressure to Leveling Manifold
LA-297862	1	100R2-04 80", -6 STR x -4 90°	Load Sense
LA-297922	1	100R16-12 91", -12FF 90° x -12FF STR	Relaces JD hose from Manifold to Bulkhead
LA-297932	2	100R16-12 44", -12FF STR x -12FF STR	Replaces the Left Header Pressure Hose
LA-298011	1	100R2-04 137", -4FF STR x -6FF STR	Header Trim to Master Cylinder Rod Port
LA-298021	1	100R2-04 126", -4FF STR x -6FF STR	Header Trim to Master Cylinder Base Port
LA-298291	1	100R1-16 36", -16MF x -16FF	Extends Pro-Drive Case Drain
LA-298321	1	100R16-12 42", -12FF STR x -12FF 90°	Replaces the Right Header Lift Hoses
LA-298331	1	100R17-16 90", -16FF STR x -16FF 90°	Replaces Header Lift Hose from Manifold to Bulkhead
LA-298441	1	100R2-06 X 46", -6FF STR x -6FF STR	Cross Port Relief to Base Port of Slave Cylinder
LA-298451	1	100R2-06 35", -6FF STR x -6FF STR	Cross Port Relief to Rod Port of Slave Cylinder
LA-299191	1	100R2-04,15",6FF90DEG	Extends JD Hose to Shift Block
LA-273461	2	3/8 100R2-06 15IN #8FORS X #8MORS	Extends Steer Lines

Model JH9010 Hillco Leveling System  
For Serial Numbers JH9010-12001 thru JH9010-12999

**RETRACTABLE LADDER**

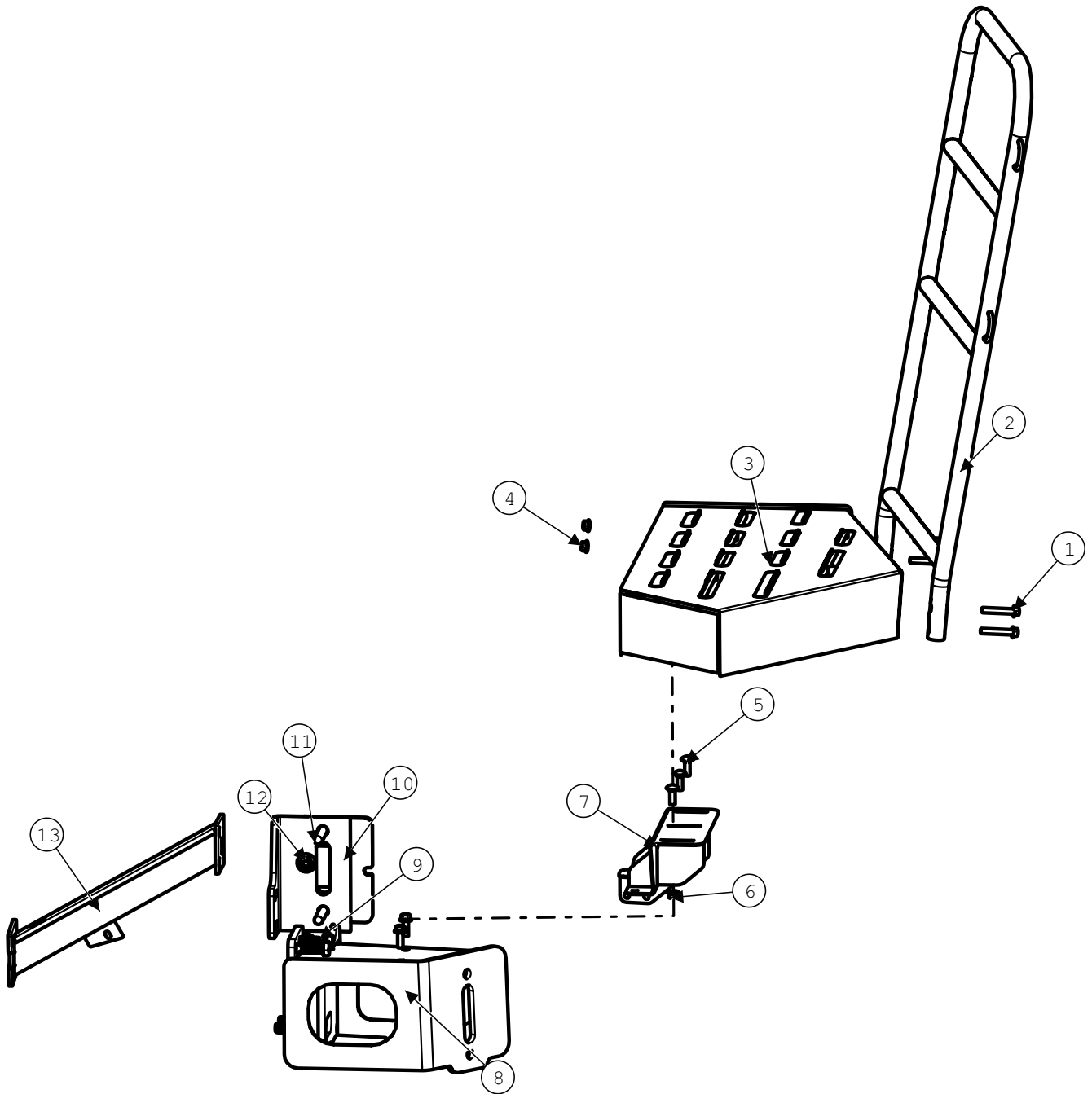


Model JH9010 Hillco Leveling System  
For Serial Numbers JH9010-12001 thru JH9010-12999

**Retractable Ladder**

BOM ID	Part No.	Qty	Description
NS	LA-300211	1	ASSEMBLY, MOVING STEP (HILLSIDE)
1	LB-300181	2	LM PLT, LADDER HANDLE
2	MC-151921	2	GRIP, JD#W25634
3	F-HCF-10M030E	8	FLHC 10.9 M10 X 1.5 X 30
4	F-HCF-10M035E	8	SCREW, FLANGED HEX CAP, 10.9
5	LP-300191	4	LM SPACER, STEP
6	F-HNF-10ME	12	FLHN-10.9 M10 X 1.50
7	LM-300161	1	LM PLT, VERTICAL OUTER RIGHT
8	LM-300111	2	LM LINK, VERTICAL INNER
9	F-MB-14NR08	4	MACHINE BUSHING 14GA NR 1/2ID
10	F-LW-05	2	LOCK WASHER 5/16"
11	F-HCF-12M045E	2	FLHC-10.9M12X1.75X45
12	LM-300091	1	LM LINK, LWR RIGHT PARALLEL
13	F-HNFS-12ME	10	FLHN-10.9M12X1.75 STVR
14	LM-299181	10	LM BUSHING, LADDER PIVOT
15	F-HCF-12M025E	2	FLHC-10.9M12X1.75X25
16	MC-152591	2	STRUT, GAS CHARGED LIFT, 120LB
17	F-KST-03X03X16	2	KEY, STR, 3/16 X 3/16 X 1
18	MC-134931	4	LIFT SUPPORT BRACKETS (PAIR)
19	F-HNF-05C	2	FLHN 5/16-18
20	LW-300121	1	LM WLD, TOP RIGHT LINK
21	F-MB-10WR12	10	MACHINE BUSHING 10GA WR 3/4ID
22	LM-300061	1	LM WLD, RHT LADDER MNT
23	F-HCF-12M30E	8	FLHC-10.9 M12X1.75X30
24	LM-298191	1	LM RND, ROCK SHAFT
25	F-HNFS-10ME	4	FLHN-10.9M10X1.5 STVR
26	LW-300141	1	LM WLD, TOP LEFT LINK
27	LM-300051	1	LM WLD, LEFT LADDER MNT
28	LM-300101	1	LM LINK, LWR LEFT PARALLEL
29	LM-300171	1	LM PLT, VERTICAL OUTER LEFT
30	MC-152601	1	STEP, PLATFORM, STEP (HXE19816)

**Ladder Wedge**

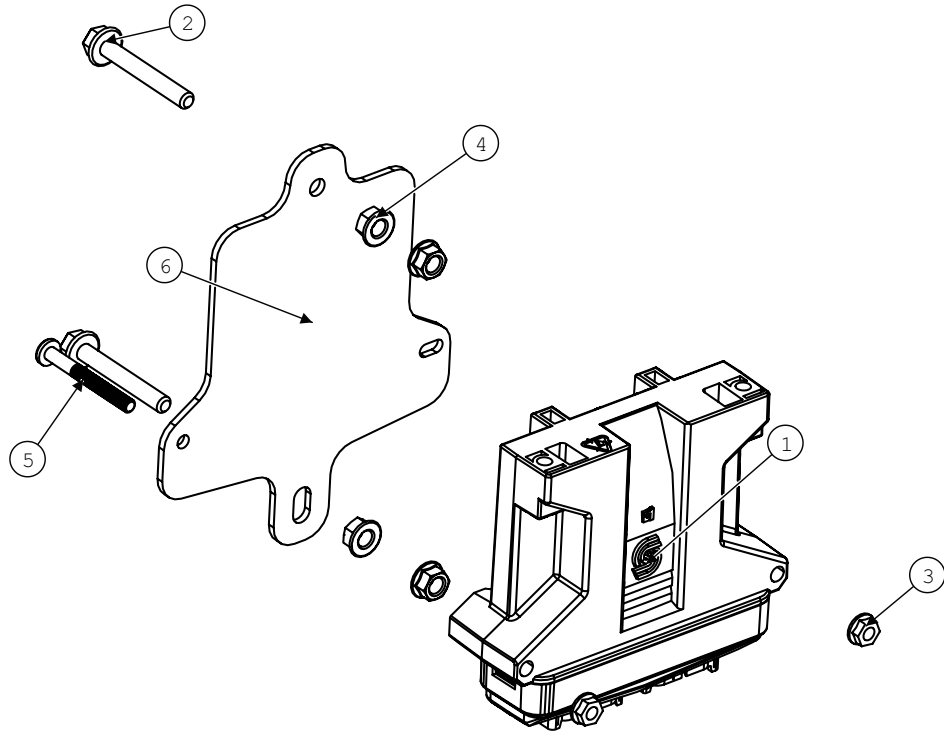


Model JH9010 Hillco Leveling System  
For Serial Numbers JH9010-12001 thru JH9010-12999

**Ladder Wedge**

<b>BOM ID</b>	<b>Part No.</b>	<b>Qty</b>	<b>Description</b>
1	F-HCF-10M060E	4	FLHC-10.9M16X2.00X060
2	MC-153051	1	HANDRAIL, JD#AXE16381
3	LW-301101	1	LM WLD, PLATFORM
4	F-HNF-10ME	4	FLHN-10.9 M10 X 1.50
5	F-CB-10M030F	3	CARR-8.8M10X1.5X30 HEAD SCREW
6	F-HNFS-10ME	7	FLHN-10.9M10X1.5 STVR
7	LW-301051	1	LM WLD, PLATFORM CHAIR
8	LW-300931	1	LM WLD, PIVOT EXTENSION
9	F-HC-16M040E	2	HC 10.9M16X2.0X40
10	LW-301181	1	LM ASM, SUPPORT BRACKET
11	MC-143721	2	STUD, DOUBLE-10.9 M16X2.00X90
12	F-HNFS-16ME	2	FLHN-10.9M16X2.00 STV
13	LW-296081	1	LM WLD, LADDER BRACE
NS	F-HCF-10M030E	4	FLHC 10.9 M10 X 1.5 X 30

### Controller/Wiring Harnesses



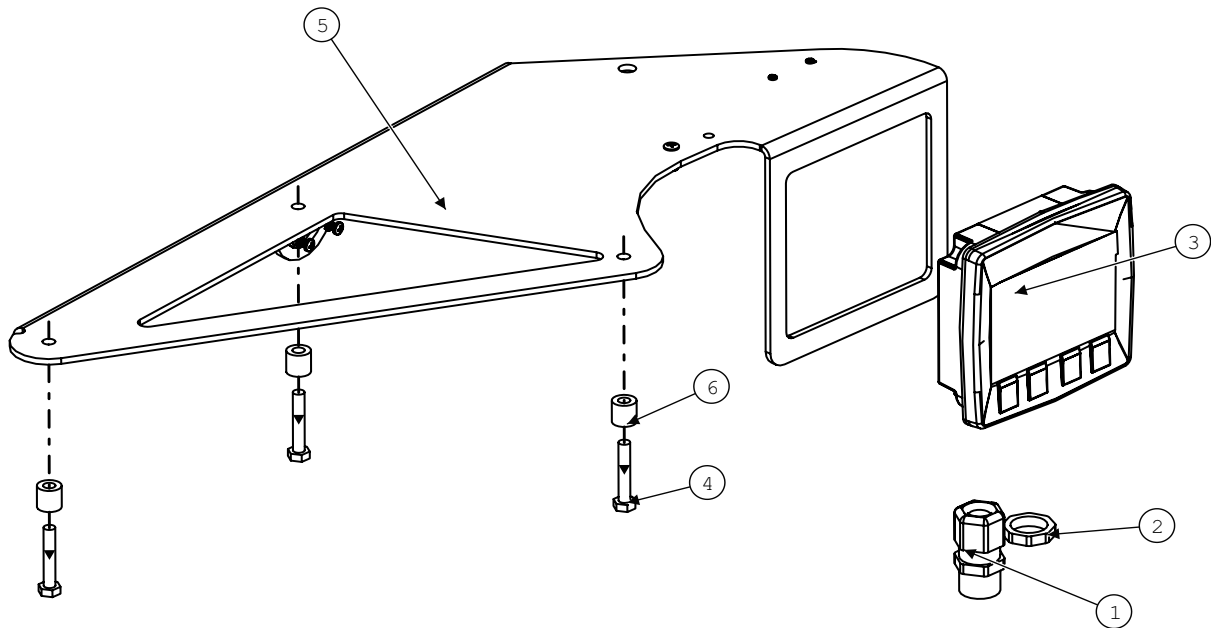
Electrical Components			
BOM ID	Part No.	Qty	Description
1-6	LA-297671	1	EM ASM, CONTROLLER W/MNT
1	EC-141831	1	SAUER-DANFOSS PLUS 1 CONTROLLER
2	F-HCF-08M060E	2	FLHC-M08X1.25X60
3	F-HNF-04F	2	FLHN-GR5 1/4-20
4	F-HNF-08ME	4	FLHN 10.9 M8 X 1.25
5	F-PHM-04C36	2	PHMS-GR5-1/4-20 X 2-1/4"
6	LP-295201	1	EM PLT, CONTROLLER MNT

Wiring Harnesses			
NS	Part No.	Qty	Description
NS	LA-294742	1	EM HARNESS, PRIMARY
NS	LA-294752	1	EM HARNESS, SECONDARY
NS	LA-294821	1	EM HARNESS, MANIFOLD (PFC)
NS	LA-295181	1	EM HARNESS, SENSOR PACKAGE
NS	LA-295341	1	EM HARNESS, TA SENSOR
NS	LA-296221	1	EM HARNESS, HEADER TRIM
NS	LA-296841	1	EM HARNESS, DUAL CAN LINK



Model JH9010 Hillco Leveling System  
 For Serial Numbers JH9010-12001 thru JH9010-12999

**Monitor**



Electrical Components			
BOM ID	Part No.	Qty	Description
1	EC-138781	1	STRAIN RELIEF, NYLON, BLK,
2	EC-142121	1	STRAIN RELIEF NUT, 1/2" BLACK
3	EC-151591	1	DISPLAY, SAUER DANFOSS DP-250
4	F-HC-06M035E	3	HC-10.9 M6x1.0X35
5	LB-296702	1	EM MNT, HILLSIDE DISPLAY
6	MC-151931	3	BUSHING, NYLON .25ID x .50D

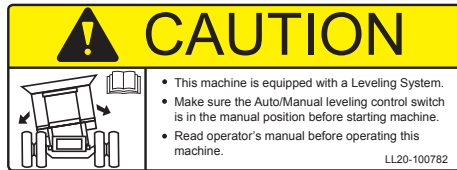
**Decals and Literature**



1) LL-133741



2) LL-151041



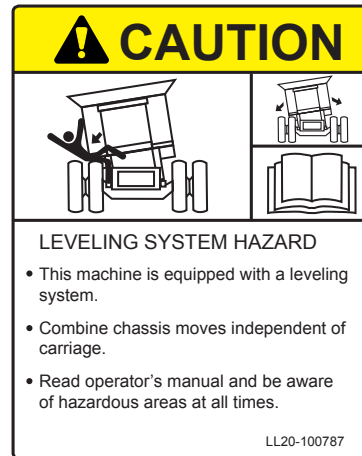
3) LL20-100782



5) LL20-100784



4) LL20-100783



7) LL20-100787



6) LL20-100786



8) LL20-100788



9) LL-143621

Model JH9010 Hillco Leveling System  
For Serial Numbers JH9010-12001 thru JH9010-12999

DECALS AND LITERATURE				
REF.	PART NO.	QTY.	PART NAME	DESCRIPTION
1	LL-133741	1	LABEL, GREASE 50 HRS	OC BULKHEAD
1	LL-133741	2	LABEL, GREASE 50 HRS	RIGHT & LEFT MAIN LEV CYL BOTTOM
1	LL-133741	1	LABEL, GREASE 50 HRS	MASTER CYLINDER ROD
2	LL-151041	2	DECAL, HILLSIDE LEVELING SYSTEM	SIDE OF COMBINE
3	LL20-100782	1	CAUTION LEVELING SYSTEM CAB	WINDOW IN CAB
4	LL20-100783	2	DANGER, CRUSHING HAZARD	RIGHT & LEFT UNDERCARRIAGE
4	LL20-100783	2	DANGER, CRUSHING HAZARD	SIDES OF DROP AXLE ASSEMBLY
5	LL20-100784	2	DECAL, DANGER PINCH POINT	RIGHT & LEFT UPPER TRANS FACE PLT
6	LL20-100786	1	WARNING ELECTRICAL CRUSHING HAZARD	FRONT OF ELECTRICAL CONTROL BOX
7	LL20-100787	1	CAUTION - LEVELING SYSTEM HAZARD	ON LADDER PLATFORM
8	LL20-100788	1	DANGER - HYDRAULIC HAZARD	ON SIDE OF COMBINE ABOVE THE HYDRAULIC MANIFOLD
8	LL20-100788	2	DANGER - HYDRAULIC HAZARD	FOR EACH LEVELING CYLINDER
9	LL-143621	2	DANGER, AVOID CRUSHING INJURY	IN AREA NEAR SAFETY STOP STORAGE LOCATION
NS	LL-147651	1	LABEL, FEMA MEMBER TAG	NEAR SERIAL NUMBER TAG
NS	LA-255961	1	TAG, SERIAL NUMBER	
NS	LL-274401	1	LIMIT SWITCH WARNING LABEL	INSTALLED ON 1 LIMIT SWITCH
NS	EC-150131	1	DECAL, REMOTE SWITCH BOX	
NS	LL-289641	1	CM LABEL, MECHANICAL CYLINDER STOP	
NS	D-120613CMA01A	1	MANUAL, PARTS	
NS	D-120427MCA01B	1	MANUAL, OPERATORS	
NS	D-050611SLR01	1	WARRANTY REGISTRATION CARD	
NS	LL-239412	1	LABEL, STEERING WHEEL	TIED TO STEERING WHEEL DURING INSTALLATION
NS	D-120412CMA01	3	DEALER PDI & INSTALL CHECKLIST	

Model JH9010 Hillco Leveling System  
For Serial Numbers JH9010-12001 thru JH9010-12999

**Notes**

Hillco Technologies, Inc.  
107 1st Avenue  
Nezperce, Idaho 83543

Phone	800-937-2461
	208-937-2461
Fax	208-937-2280

[www.hillcotechnologies.com](http://www.hillcotechnologies.com)  
email: [support@hillcotechnologies.com](mailto:support@hillcotechnologies.com)