

Model CH9020 Hillco Leveling System
For Serial Numbers CH9020-18001 thru CH9010-18999



Model CH9020 Hillside Leveling System Parts Manual

SN CH9020-18001 thru CH9020-18999
For Case-IH 7240, 8240, and 9240
Combines

D-180618CMA01E



CH9020 Hillside Leveling System

For Case-IH 7240, 8240, and 9240 Combines

Table of Contents

General Information	3
Serial Number Location	3
Text and Illustrations	3
Abbreviations	3
Right and left Identification	3
Part Orders	3
TRANSITION	4
Transition Throat	5
Paddle Beater Drive	6
Steel Paddle Beater	8
Rubber Paddle Beater	9
Slave Cylinder	10
Transition Header Adapter	11
DRIVE WHEEL	13
CARRIAGE	14
Overcarriage	14
Undercarriage	16
Carriage Position Sensor	17
DROP AXLE	18
LADDER	19
ELECTRICAL	21
Leveling Box	21
Monitor & Remote Switches	22
Electrical Harnesses	23
HYDRAULICS COMPONENTS	24
Leveling Manifold	26
Hydro Hose Accessories	28
Hydraulic Hoses	30
MISCELLANEOUS	31

Contact Information

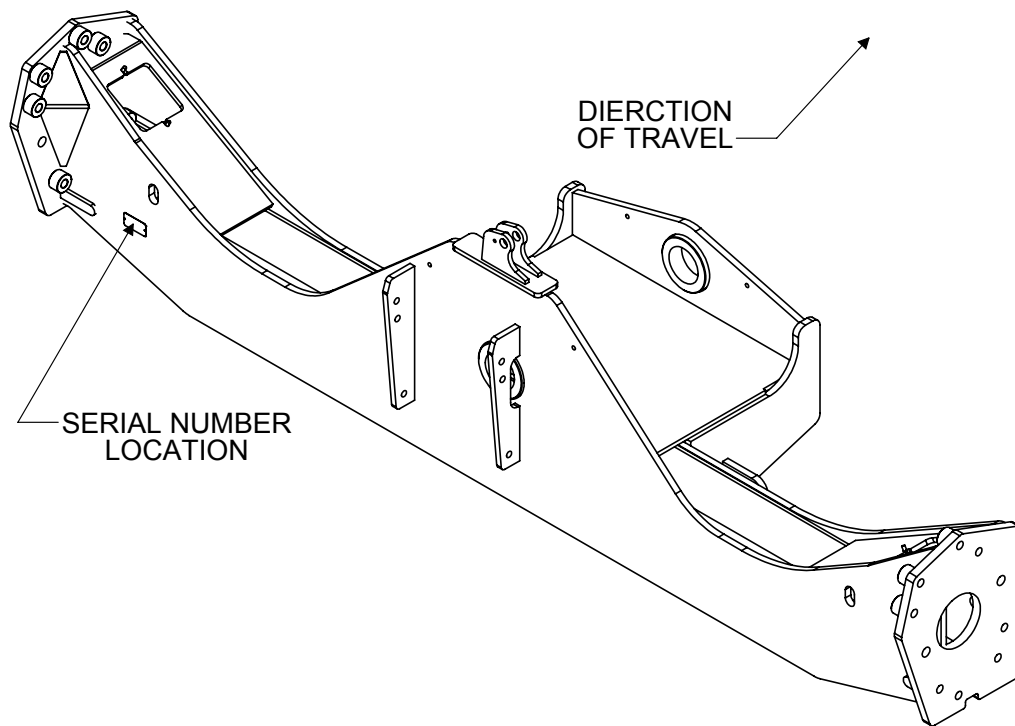
Hillco Technologies, Inc.
107 1st Avenue
Nezperce, Idaho 83543

Phone	800-937-2461
	208-937-2461
Fax	208-937-2280

www.hillcotechnologies.com
email: support@hillcotechnologies.com

GENERAL INFORMATION

SERIAL NUMBER LOCATION



TEXT AND ILLUSTRATIONS

The arrangement of this parts catalog is for easy identification of parts. All parts are illustrated in exploded views in proper relation to each other. Some diagrams refer to other pages for further information. Reference numbers used in the illustrations refer to line numbers in the part lists. The part lists appear to the right or below all diagrams and correspond with those diagrams. Included in the part lists, along with the reference numbers are part numbers, part descriptions and the quantity of the part required per leveling system.

ABBREVIATIONS

SN "Serial Number" refers to the serial number given to each leveling system (by Hillco Technologies), as well as the serial number given to the combine (by the specific combine manufacturer) the leveling system is installed. See above for the leveling system's serial number location. This abbreviation is used interchangeably in both instances. Each Model CH9020 Leveling System uses the following serial number format: CH9020-XXXXX (sequential numbers).

ASM "Assembly" refers to a whole grouping of parts (shown in the diagram corresponding with the page where "ASM" is shown unless otherwise noted). Some assemblies have parts that are sold separately, however some must be purchased as a single unit. Hillco Product Specialists will be able to assist you with any questions.

NS "Not Shown" refers to a part that is not depicted in the illustration.

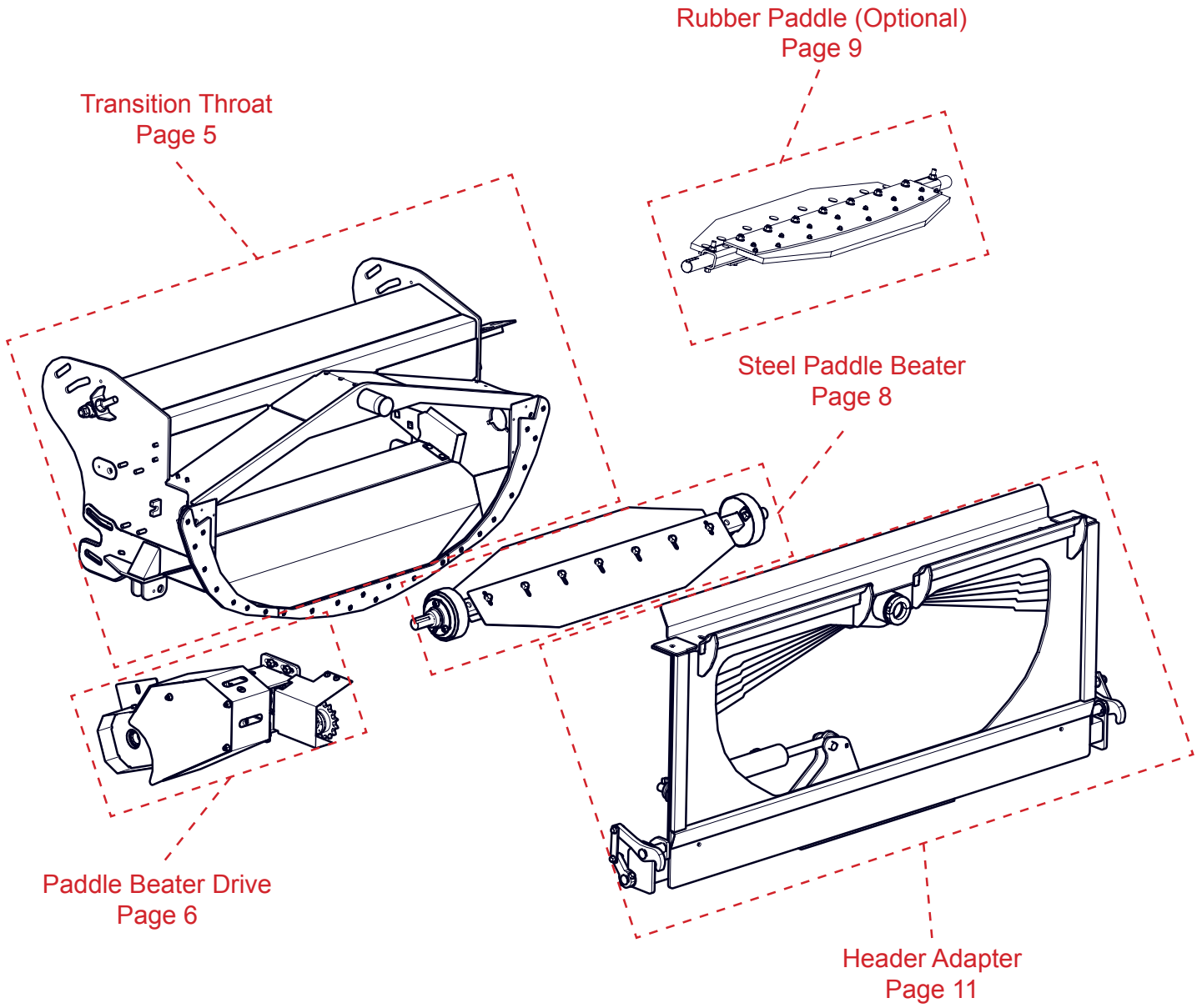
RIGHT AND LEFT IDENTIFICATION

The reference to right-hand and left-hand in this catalog is identified by the operator sitting in the operator's seat, looking toward the front of the machine (in normal forward travel).

PART ORDERS

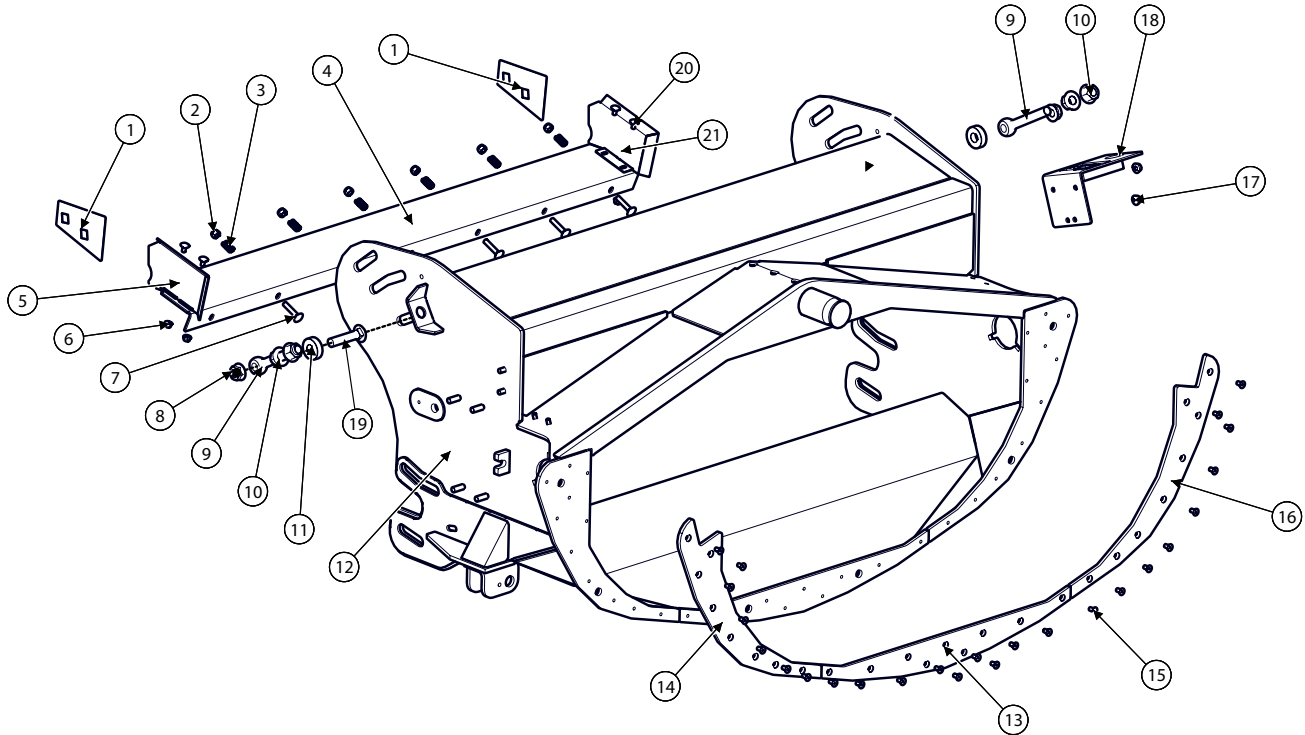
Orders must specify product model, serial number, correct part number, complete description, quantity required, method of shipment, shipping address, and billing address.

TRANSITION



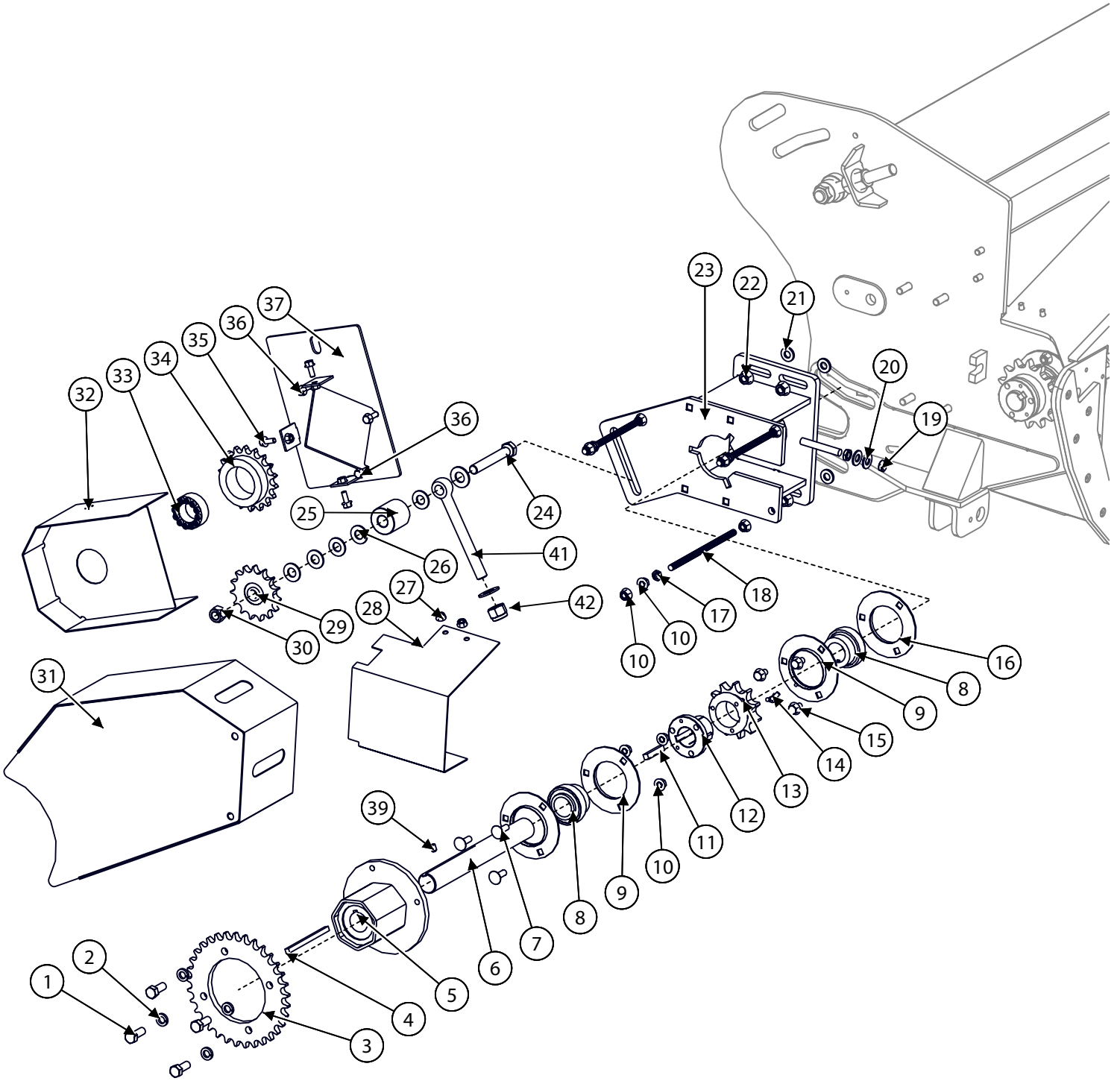
Model CH9020 Hillco Leveling System
For Serial Numbers CH9020-18001 thru CH9010-18999

TRANSITION THROAT



Transition Throat			
BOM ID	Part No.	Qty	Description
1	1306191	2	REAR SEAL
2	191.01	7	NUT,HX,NYL,CL8 M10
3	143591	7	SPRING, COMPRESSION
4	1305431	1	FLOOR PLATE, FLEX
5	1306251	1	FLOOR SEAL, RIGHT
6	123.008	4	NUT,HX,FL,CL10 M8
7	163.010.050	7	BOLT,CARR,CL8.8 M10
8	119.012	2	NUT,HX,FL,SERR 3/4-10
9	169.020.150	2	BOLT,EYE M20X150
10	123.020	4	NUT,HX,FL,CL10 M20
11	1251791	2	EYEBOLT SPACER
12	1305281	1	THROAT
13	1255184	1	WEAR PLATE, BOTTOM
14	1255204	1	WEAR PLATE,RHT
15	164.008.016	25	SCREW,FHSC,CL10.9 M8X16
16	1255194	1	WEAR PLATE,LFT
17	123.01	2	NUT,HX,FL,CL10 M10
18	1253621	1	HYDRAULIC COUPLER
19	107.012.056	2	BOLT,CARR,GR5 3/4-10X3-1/2
20	163.008.016	4	BOLT,CARR,CL8.8 M8X16
21	1306241	1	FLOOR SEAL, LEFT

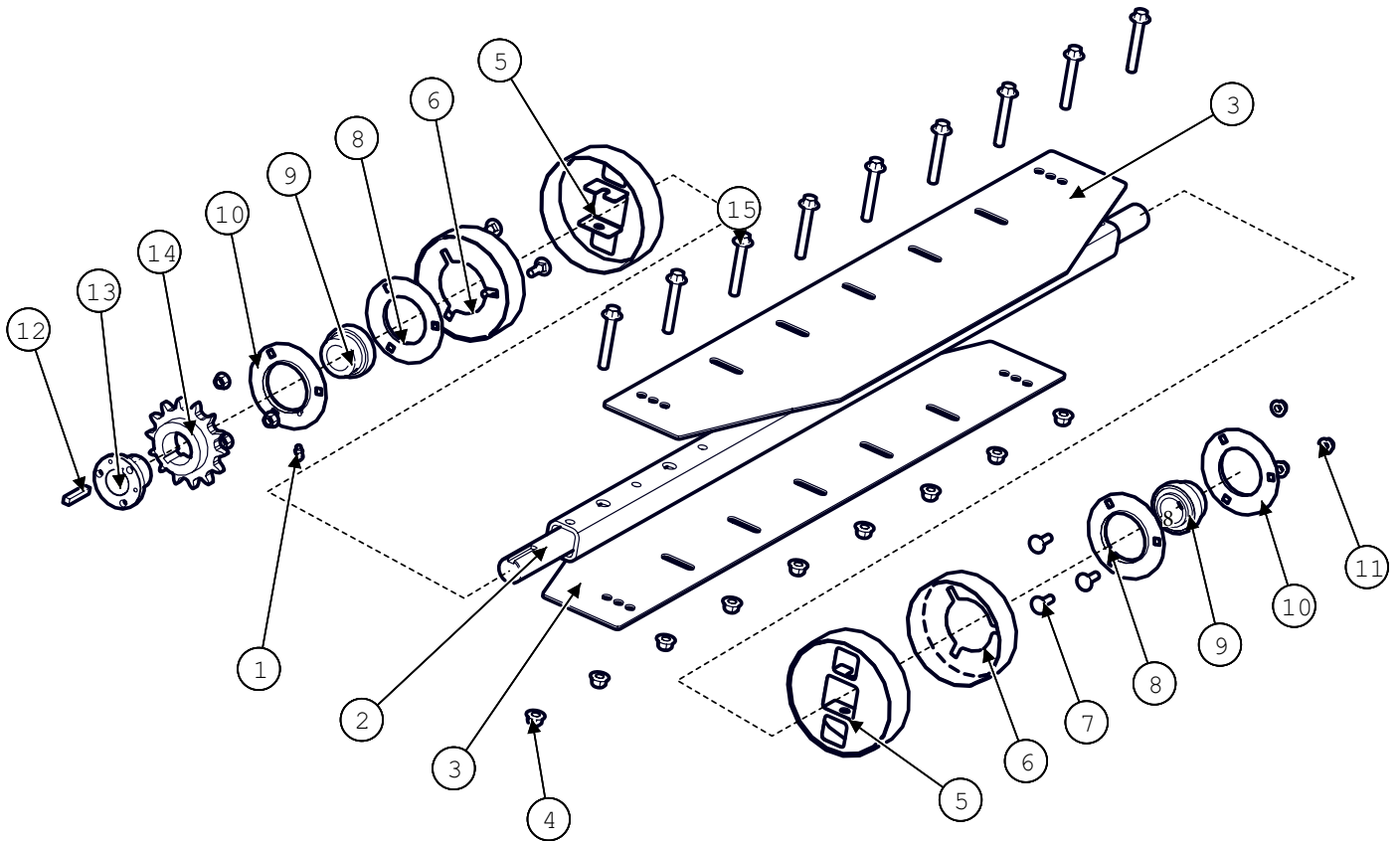
PADDLE BEATER DRIVE



Model CH9020 Hillco Leveling System
For Serial Numbers CH9020-18001 thru CH9010-18999

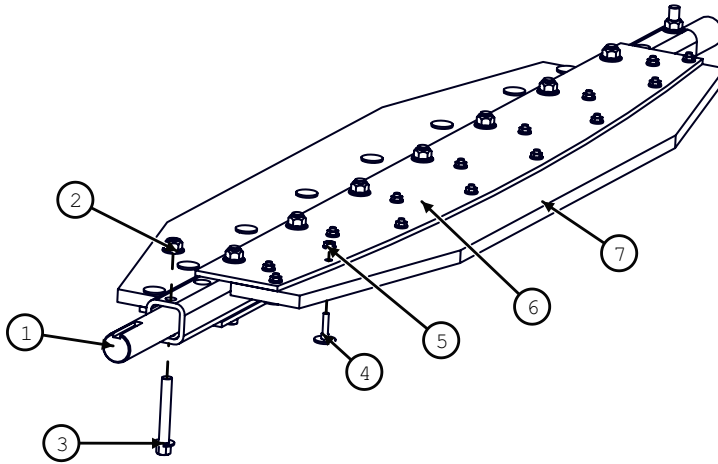
Paddle Beater Drive			
BOM ID	Part No.	Qty	Description
1	167.008.020	4	BOLT,HX,GR8 1/2-20X1-1/4
2	139.008	4	WASHER,LCK,HVY-SPLIT 1/2
3	1226532	1	SPROCKET, SLIP CLUTCH
4	10049.05.00080	1	SQ,1018,CD 5/16X5
5	150071	1	SLIP CLUTCH
6	1251771	1	JACK SHAFT
7	163.010.030	3	BOLT,CARR,CL8.8 M10
8	153861	2	INSERT,BEARING, 1-7/16
9	153551	2	FLANGETTE, GREASABLE
10	123.010	15	NUT,HX,FL,CL10 M10
11	10049.06.00032	1	SQ,1018,CD 3/8X2
12	135511	1	HUB, SPLIT TAPER
13	135491	1	SPROCKET, TAPER BORE
14	141931	1	ZERK, 45°,1/4-28M TAPER, LINCOLN
15	122.010.016	3	BOLT,HX,FL,CL10.9 M10X16
16	153541	2	FLANGETTE, GREASABLE
17	165.010	3	NUT,HX,JAM,CL8 M10
18	10069.10.00200	3	ALLTHREAD,GRB7 M10X200
19	165.012	2	NUT,HX,JAM,CL8 M12
20	133.008	2	WASHER,L9,HD 1/2
21	153.010.008	4	BUSHING,MACH,WR,
22	123.012	4	NUT,HX,FL,CL10 M12
23	1305571	1	MOUNT, JACK SHAFT
24	121.016.140	1	BOLT,HX,CL10.9 M16X140
25	1251881	1	SPACER, SPROCKET
26	133.010	5	WASHER,L9,HD 5/8
27	123.008	2	NUT,HX,FL,CL10 M8
28	1293461	1	CHAIN SHIELD, 80P
29	100237	1	SPROCKET, IDLER, 60P
30	126.016	1	NUT,HX,STV,CL10 M16
31	1305641	1	FRONT SHIELD
32	1305711	1	DRIVE SHIELD,
33	101838	1	HUB, POWER LOCK, 1-3/8
34	1255211	1	SPROCKET,POWERLOCK
35	122.008.020	3	BOLT,HX,FL,CL10.9 M8X20
36	122.008.025	3	BOLT,HX,FL,CL10.9 M8X25
37	1305681	1	DRIVE SHIELD,
39	158.006.008	2	SCREW,SKT,SET 3/8-16X1/2
40	126.008	3	NUT,HX,STV,CL10 M8
41	169.016.150	1	BOLT,EYE M16X150
42	125.016	1	NUT,HX,NYL,CL10 M16
Drive Chains			
NS	10068.073	1	CHAIN,60P,73PITCHES
NS	10066.031	1	CHAIN, 80P, 31PITCHES

STEEL PADDLE BEATER



Paddle Beater			
BOM ID	Part No.	Qty	Description
1	141931	1	ZERK, 45°,1/4-28M TAPER, LINCOLN
2	1251632	1	BEATER SHAFT
3	1286321	2	PADDLE,METAL,NARROW
4	128.012	9	NUT,HX,FL,STV,CL10 M12
5	1292661	2	BEARING COVER, SHAFT
6	1292671	2	BEARING COVER, WALL
7	163.010.030	6	BOLT,CARR,CL8.8 M10
8	153541	2	FLANGETTE, GREASABLE
9	153861	2	INSERT,BEARING, 1-7/16
10	153551	2	FLANGETTE, GREASABLE
11	123.01	6	NUT,HX,FL,CL10 M10
12	10049.06.00032	1	SQ,1018,CD 3/8X2
13	135511	1	HUB, SPLIT TAPER
14	136151	1	SPROCKET, TAPER BORE
15	122.012.080	9	BOLT,HX,FL,CL10.9 M12X80

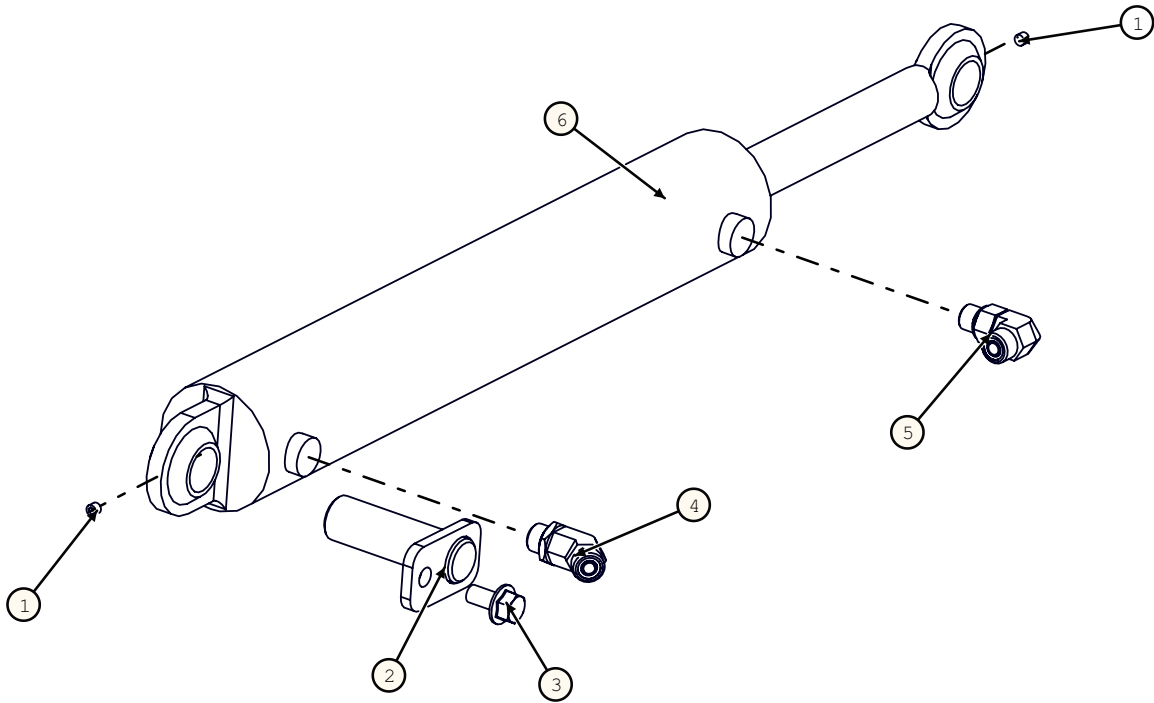
RUBBER PADDLE BEATER



Rubber Paddle Option			
BOM ID	Part No.	Qty	Description
1	1251632	1	TB ASM, SHAFT
2	128.012	9	FLHN-10.9 M12 X 1.75 STVR
3	122.012	9	MM FLHC-10.9 M12 X 1.75 X 80 Plated
4	157.004.020	30	ELEVATOR BOLT
5	119.004	30	FLHN-GR5 1/4-20
6	1272172	2	TB PLATE, PADDLE BACKING
7	1272182	2	TB PADDLE, RUBBER

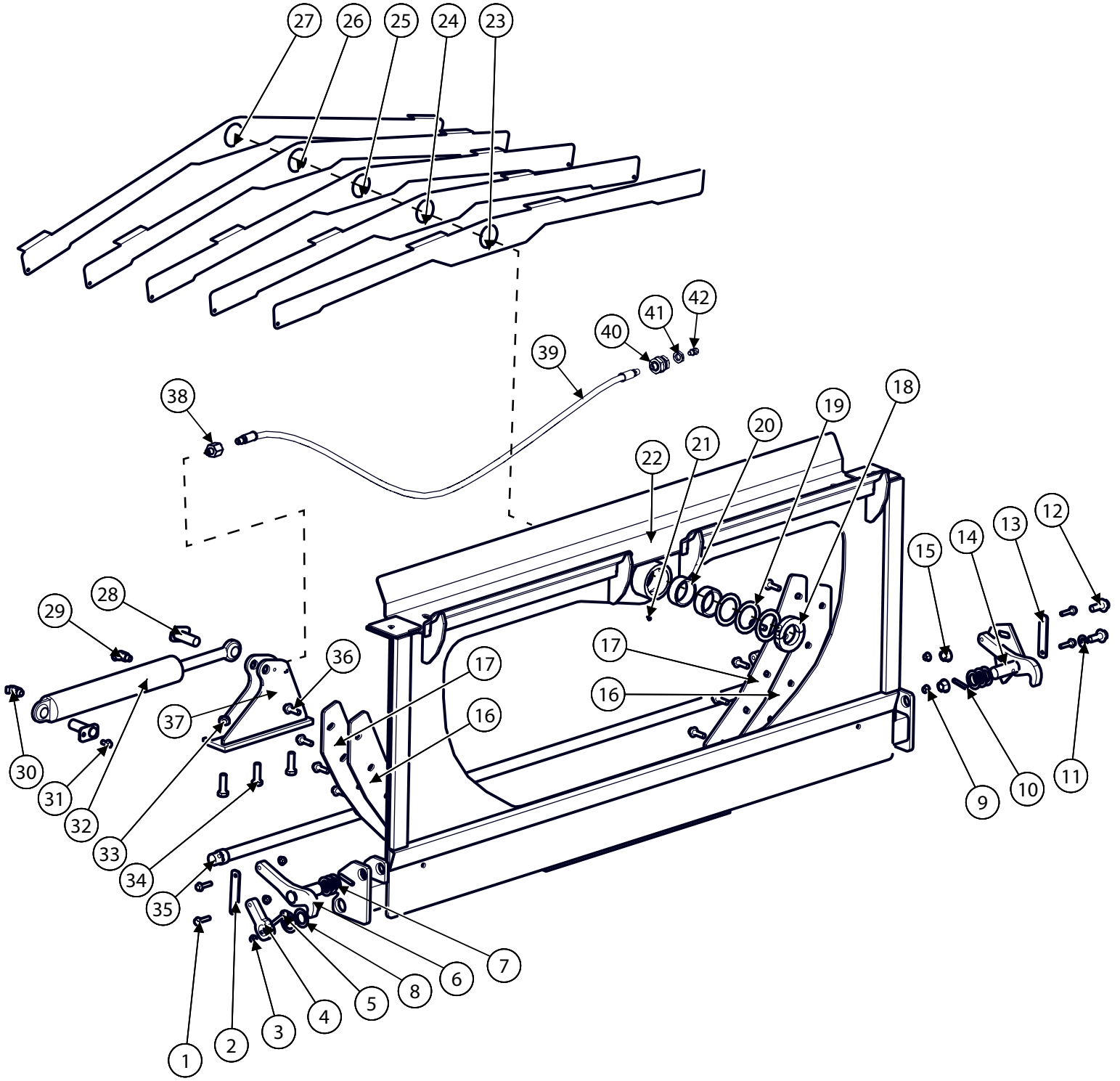
Model CH9020 Hillco Leveling System
 For Serial Numbers CH9020-18001 thru CH9010-18999

SLAVE CYLINDER



SLAVE CYLINDER			
BOM ID	Part No.	Qty	Description
1	147491	1	ZERK,STR, 1/4-28MTAPER
2	1283884	2	CYLINDER PIN,
3	122.012.020	2	BOLT,HX,FL,CL10.9 M12X20
4	1002.06.06	1	ELBOW, 45, -6MORB X -6MORFS
5	1003.06.06	1	ELBOW, 90, -6MORB X -6MORFS
6	147491	1	CYLINDER,SLAVE, 1-1/8"R, 12-1/2"S, 2-1/2"B21"CPC
NS	HC-141281	1	SEAL KIT, SLAVE CYLINDER

TRANSITION HEADER ADAPTER

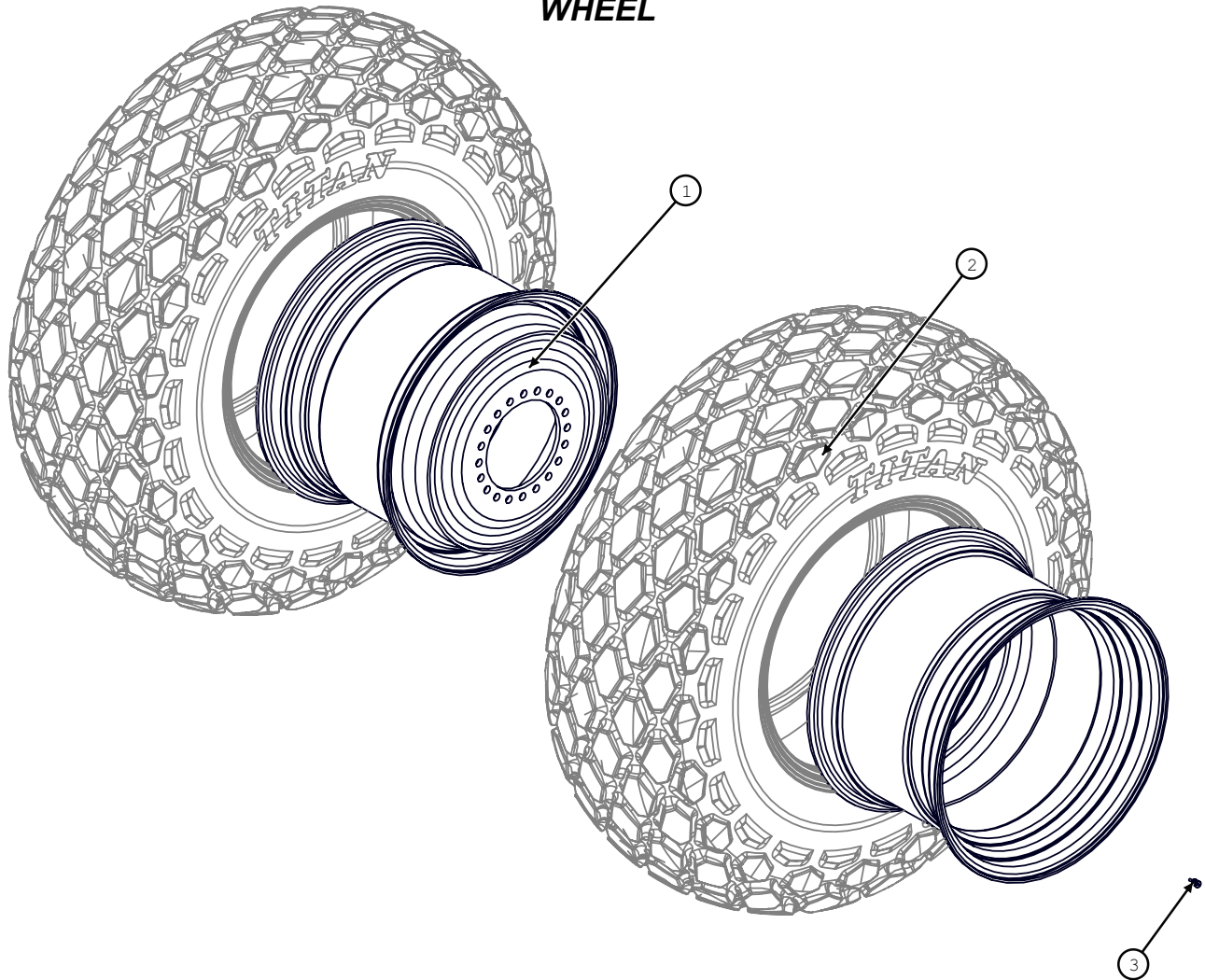


Model CH9020 Hillco Leveling System
For Serial Numbers CH9020-18001 thru CH9010-18999

Header Adapter			
BOM ID	Part No.	Qty	Description
1	122.010.040	4	BOLT,HX,FL,CL10.9 M10X40
2	1270211	1	LINKAGE, HDR LOCK, RHT
3	126.010	1	NUT,HX,STV,CL10 M10
4	1270191	1	PIVOT ARM, LOWER, RHT
5	122.010.060	1	BOLT,HX,FL,CL10.9 M10X60
6	1270251	1	HEADER LOCK, RHT
7	162.018.020	7	BUSHING,MACH
8	162.018.024	2	BUSHING,MACH
9	128.01	4	NUT,HX,FL,STV,CL10 M10
10	140.006.032	2	PIN,ROLL 3/8X2
11	133.010	1	WASHER,L9,HD 5/8
12	122.016.040	2	BOLT,HX,FL,CL10.9 M16X40
13	1270201	1	LINKAGE, HDR LOCK, LFT
14	1270261	1	HEADER LOCK, LFT
15	123.016	2	NUT,HX,FL,CL10 M16
16	1249871	2	WEAR PLATE,
17	1255122	2	BACKING PLATE
18	150742	1	COLLAR,CLAMPING,2-1/2 ID 3-3/4 OD, 2 PIECE
19	162.014.040	3	BUSHING,MACH,NR
20	1305471	2	PIVOT BUSHING
21	133891	1	ZERK, GREASE, 1/8
22	1251516	1	HEADER ADAPTER
23	1306631	1	FRONT DEFLECTOR
24	1306621	1	FRONT DEFLECTOR, INNER
25	1306611	1	MIDDLE DEFLECTOR
26	1306601	1	REAR DEFLECTOR, INNER
27	1306591	1	REAR DEFLECTOR
28	1253884	2	CYLINDER PIN, TRIM
29	1003.06.06	1	ELBOW, 90, -6MORB X -6MORFS
30	1002.06.06	1	ELBOW, 45, -6MORB X -6MORFS
31	122.010.020	2	BOLT,HX,FL,CL10.9 M10X20
32	147491	1	CYLINDER,SLAVE,21"CPC
33	126.016	3	NUT,HX,STV,CL10 M16
34	121.016.050	3	BOLT,HX,CL10.9 M16X50
35	1270272	1	CROSS SHAFT, HDR LOCK
36	122.012.040	10	BOLT,HX,FL,CL10.9 M12X40
37	1255141	1	ROD MOUNT
38	135881	1	ADAPTER,GREASE,STR
39	1328061	1	GREASE HOSE, 100R1-03 35";
40	155157	1	BULKHEAD,GREASE,STR,
41	155158	1	BULKHEAD,LOCKNUT
42	141931	1	GREASE ZERK, 1/4-28MTAPER

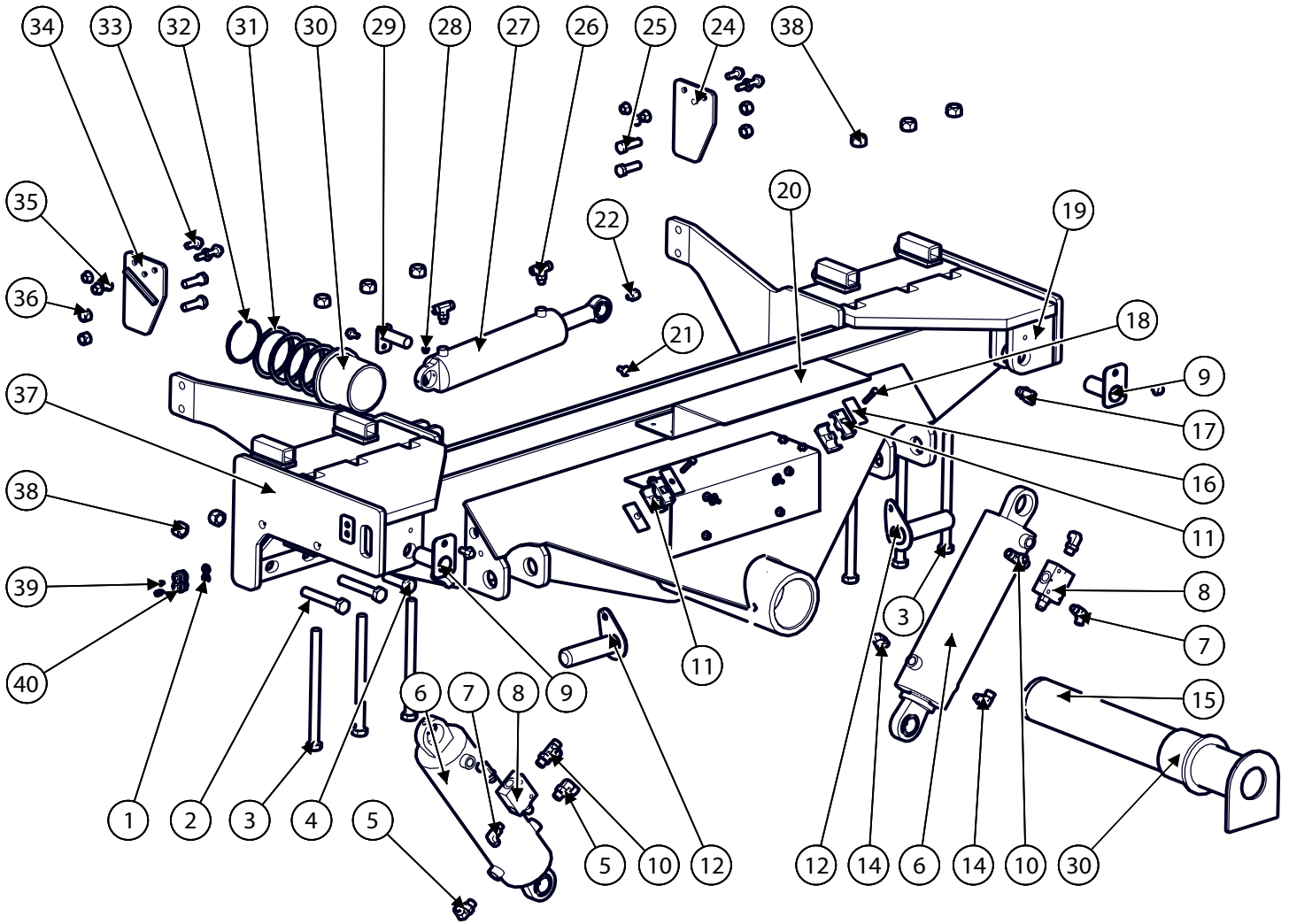
Model CH9020 Hillco Leveling System
 For Serial Numbers CH9020-18001 thru CH9010-18999

WHEEL



WHEEL COMPONENTS				
BOM ID	Part No.	Qty	Description	Notes
1	155427	4	WHEEL, 32XDWH21 20-13.19-	FOR 24.5X32 TIRE
2	-	4	24.5 x 32 6* R3	CONTACT LOCAL TIRE SUPPLIER
NS	-	4	24.5 x 32 6* R1	CONTACT LOCAL TIRE SUPPLIER
NS	-	4	650/65R38 550 Tire	CONTACT LOCAL TIRE SUPPLIER
3	MC-143921	4	VALVE STEM	Only for 24.5 x 32 Wheel
NS	155607	2	WHEEL 38XDW23 20-13.189 -17.0 OUTSIDE WHEEL	FOR 650/65R38 TIRE
NS	155606	2	WHEEL 38XDW23A 20-13.189, 14.0 INSIDE WHEEL	FOR 650/65R38 TIRE
WHEEL FASTENERS				
REF.	PART NO.	QTY.	PART NAME	NOTES
NS	N/A	20	BOLT	CASE P/N 87283525
NS	N/A	10	SPACER PLATE	CASE P/N 87253501
NS	N/A	20	NUT	CASE P/N 336845

OVERCARRIAGE

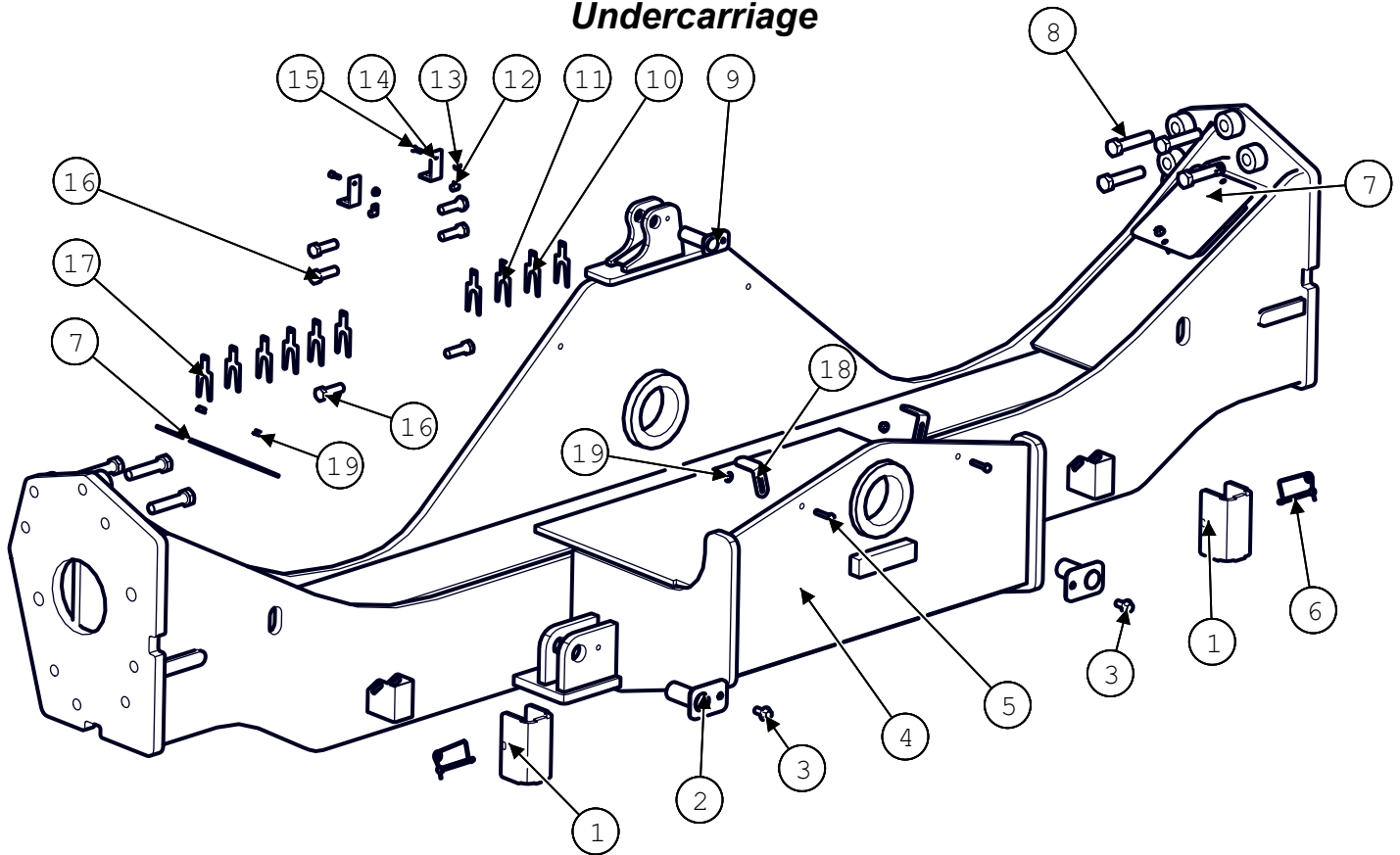


Model CH9020 Hillco Leveling System
For Serial Numbers CH9020-18001 thru CH9010-18999

Overcarriage			
BOM ID	Part No.	Qty	Description
1	155158	3	BULKHEAD,LOCKNUT
2	121.020.120	4	BOLT,HX,CL10.9 M20X120
3	121.020.280	6	BOLT,HX,CL10.9 M20X280
4	121.020.070	2	BOLT,HX,CL10.9 M20X70
5	1003.08.08	2	-8MORBx -8MORFS
6	147522	2	CYLINDER, LEVELING (Seal Kit 155666)
NS	155666	-	SEAL KIT FOR 147522 & 147521 CYLINDERS
7	1003.06.06	2	-6MORB X -6MORFS
8	155603	2	VALVE,COUNTERBALANCE, SEE HYDRAULIC SECTION FOR PARTS BREAKDOWN
9	1230551	2	CYLINDER, LEVELING
10	1007.08	2	STR, THD, RUN -8ORFS
11	140461	2	CLAMP, TWIN BEHRINGER 7/8DIA
12	1255301	2	CYL PIN, HEADER LIFT
13	1251432	1	MOUNT, LEVELING BOX
14	1003.08.06	2	-8MORB X -6MORFS
15	1247481	1	PIVOT PIN, MAIN
16	139451	2	COVER PLATE,TWIN
17	1028.08.08	2	-8MORB X -8MORB
18	101.005.028	2	CM WLD,PIVOT PIN, MAIN
19	133741	1	LABEL, GREASE, 50HRS
20	1346491	1	BOX COVER, ELECTRICAL
21	122.010.020	2	BOLT,HX,FL,CL10.9 M10X20
22	135881	1	ADAPTER,GREASE,STR
24	1251471	1	MOUNT, SWING ARM, LEFT
25	121.016.050	4	BOLT,HX,CL10.9 M16X50
26	1009.06	2	STR THD, BRANCH,
27	147501	1	CYLINDER, MASTER, 3"B,
28	135771	2	ADAPTER,GREASE,90°
29	1253884	1	CYLINDER PIN, TRIM
30	1247961	2	PIVOT BUSHING
31	138641	4	WASHER, 4.7640D X 048
32	138651	1	SNAP RING; 4"
33	122.012.030	6	BOLT,HX,FL,CL10.9 M12X30
34	1251481	1	MOUNT, SWING ARM
35	123.012	6	NUT,HX,FL,CL10 M12
36	126.016	4	NUT,HX,STV,CL10 M16
37	1251492	1	OVERCARRIAGE
38	126.02	16	NUT,HX,FL,CL10 M12
39	140471	3	NUT,HX,STV,CL10 M16
40	155157	3	BULKHEAD,GREASE,STR,

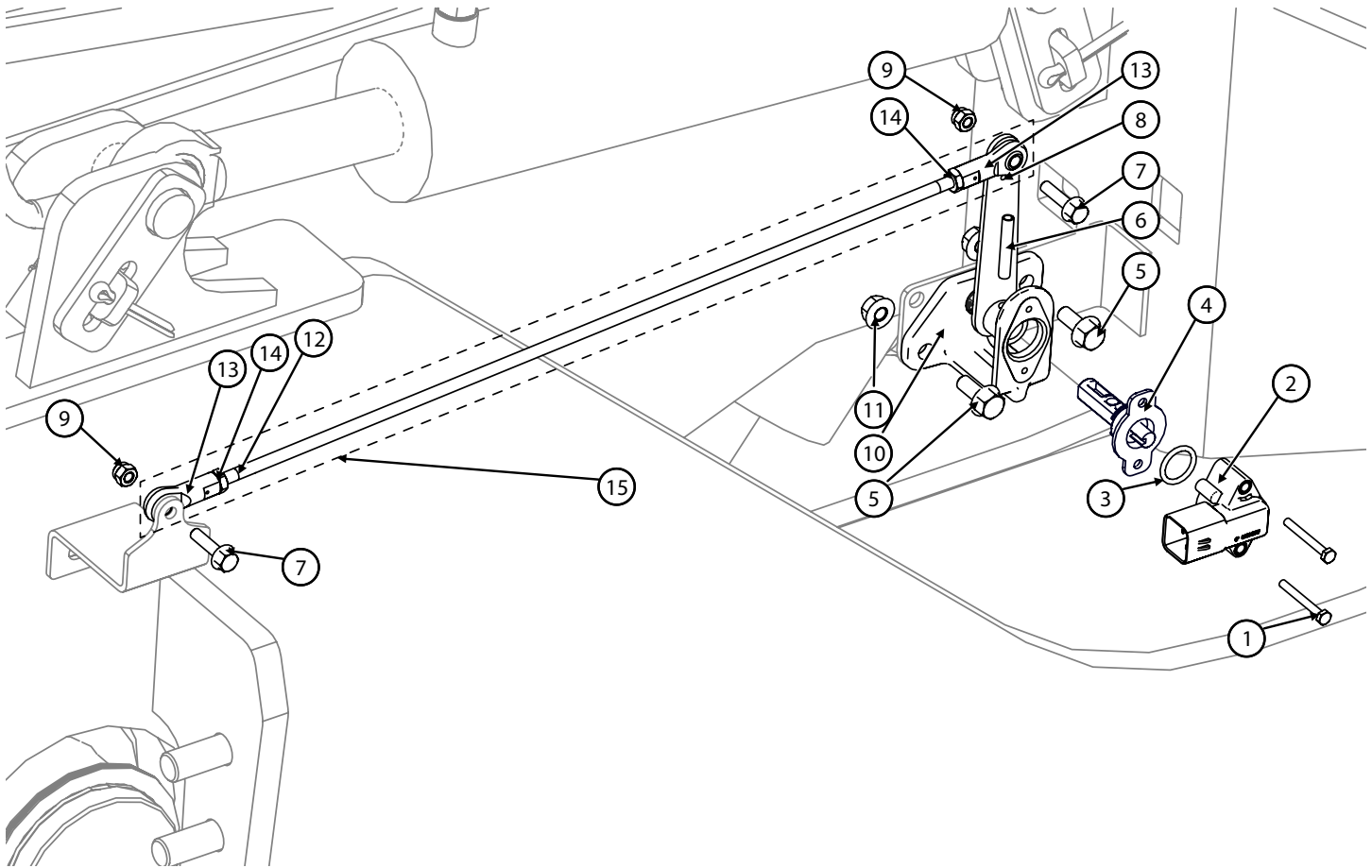
Model CH9020 Hillco Leveling System
For Serial Numbers CH9020-18001 thru CH9010-18999

Undercarriage



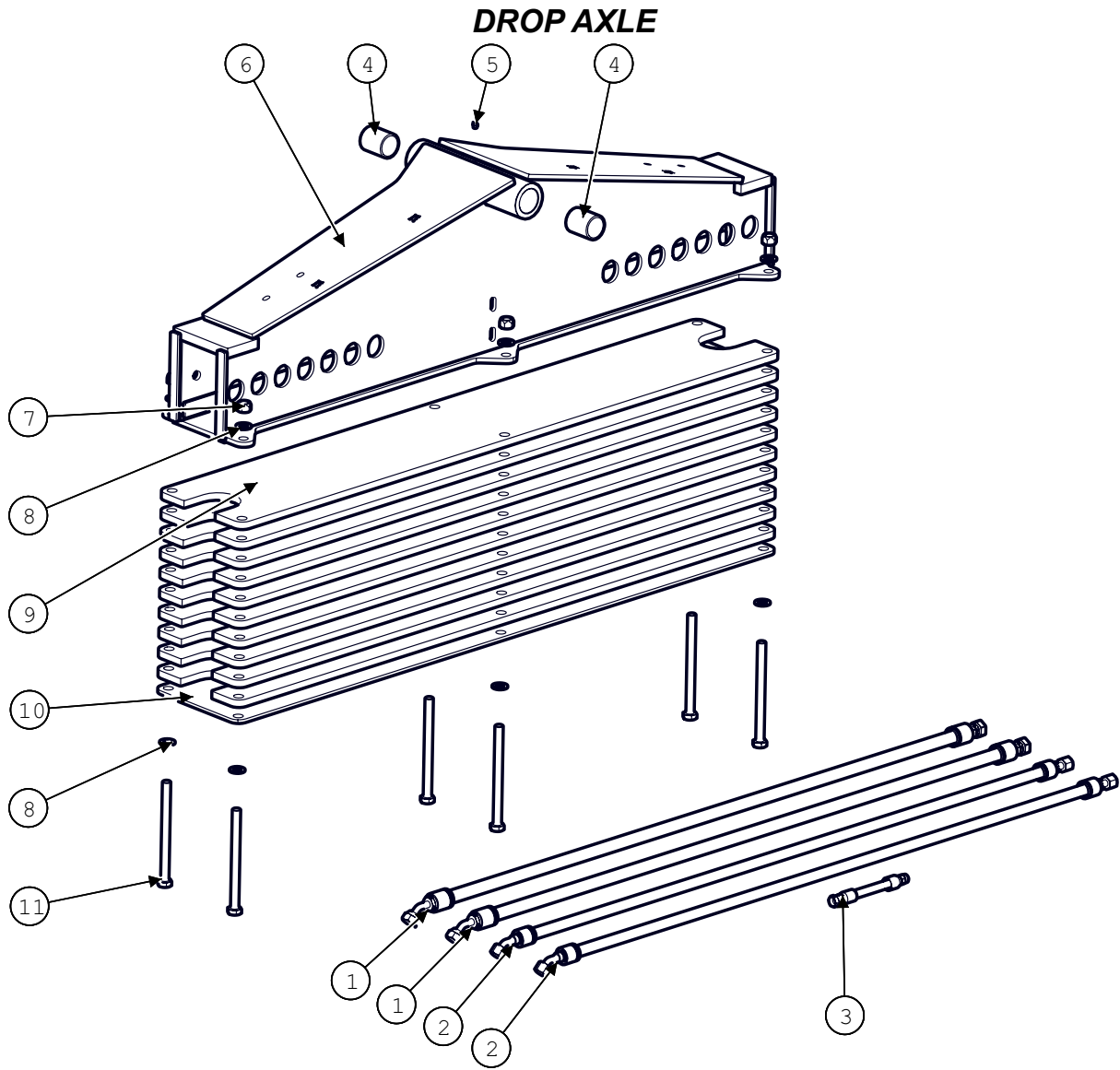
Undercarriage			
BOM ID	Part No.	Qty	Description
1	1293721	2	CYLINDER STOP
2	1230551	2	CYLINDER PIN, LEVELING
3	122.012.025	2	BOLT,HX,FL,CL10.9 M12X25
4	1251531	1	UNDERCARRIAGE
5	170.008.040	2	BOLT,HX,CL8.8 M8X40
6	146.004.048	2	PIN,SNAP,LCK
7	1251461	2	BOLT COVER, FINAL
8	121.020.090	16	BOLT,HX,CL10.9 M20X90
9	1253884	1	CYLINDER PIN, TRIM
10	141971	3	SHIM,ALIGNMENT,1/32"
11	141981	3	SHIM,ALIGNMENT,1/64"
12	142101	2	LOOP, CLOSED, .375", R/C
13	123.006	2	NUT,HX,FL,CL10 M6
14	1251871	2	MOUNT, BRAKE LINE
15	120.006.020	2	BOLT,HX,CL10.9 M6X20
16	121.016.050	6	BOLT,HX,CL10.9 M16X50
17	141961	6	SHIM,ALIGNMENT,1/16"
18	1251551	2	LIMIT STOP
19	123.008	6	NUT,HX,FL,CL10 M8

Carriage Position Sensor



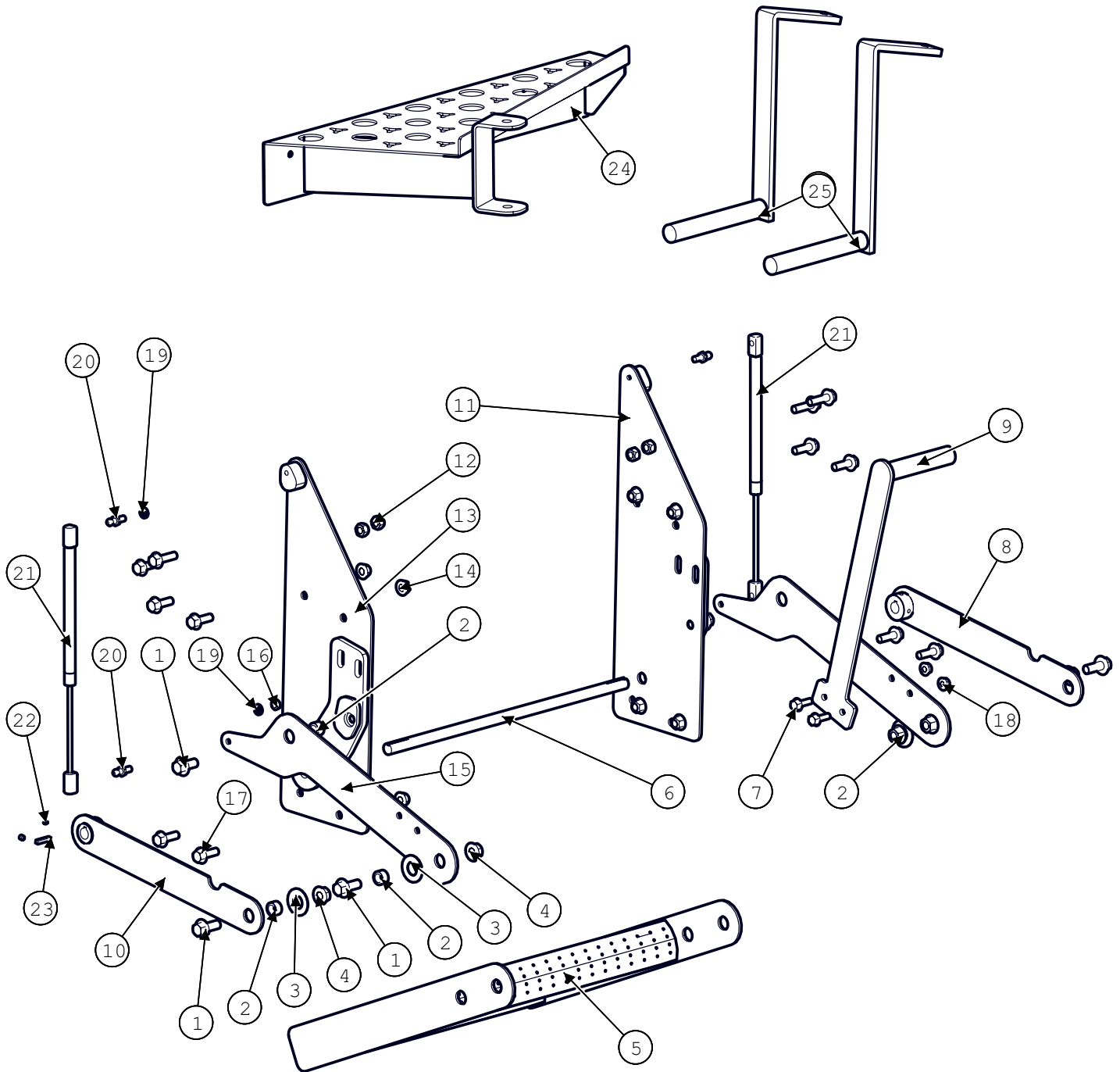
CARRIAGE POSITION SENSOR			
REF.	PART NO.	QTY.	PART NAME
1	170.004.035	2	BOLT, HX,CL8.8
2	151381	1	SENSOR, ROTATION,
3	151391	1	O-RING, 11/16ID
4	151401	1	SENSOR SHAFT,
5	122.008.020	2	M8X20
6	201.006.036	1	PIN,ROLL M6X36
7	122.006.025	2	M6X25
8	151371	1	ARM, TILT SENSOR
9	191.006	2	NUT,HX,NYL,CL8 M6
10	151321	1	BRACKET, SENSOR
11	123.008	2	M8x1.25
12	1346501	1	SENSOR ROD
13	151881	2	ROD END, BALL JOINT,
14	184.004	2	NUT,HX,JAM,GR5 1/4-28
15	151321	1	SENSOR LINKAGE ASSEMBLY

Model CH9020 Hillco Leveling System
 For Serial Numbers CH9020-18001 thru CH9010-18999



Drop Axle			
BOM ID	Part No.	Qty	Description
1	1324171	2	100R15-12 72";
2	1324181	2	100R15-10 72";
3	1325061	1	100R17AR-08 9";
4	140791	2	PIVOT SLEEVE
5	141231	1	ZERK, GREASE, 45°, 1/8
6	1252162	1	DROP AXLE
7	126.020	6	NUT,HX,STV,CL10 M20
8	133.012	12	WASHER,L9,HD 3/4
9	1285891	0-10	WEIGHT, 160LB
10	1320511	1	JACKING PLATE
11	121.020.250	6	BOLT,HX,CL10.9 M20X250 (10 WEIGHT OPTION)
11	121.020.170	6	BOLT,HX,CL10.9 M20X170 (6 WEIGHT OPTION)
11	121.020.060	6	BOLT,HX,CL10.9 M20X060 (NO WEIGHT OPTION)

RETRACTABLE LADDER & TOP WEDGE

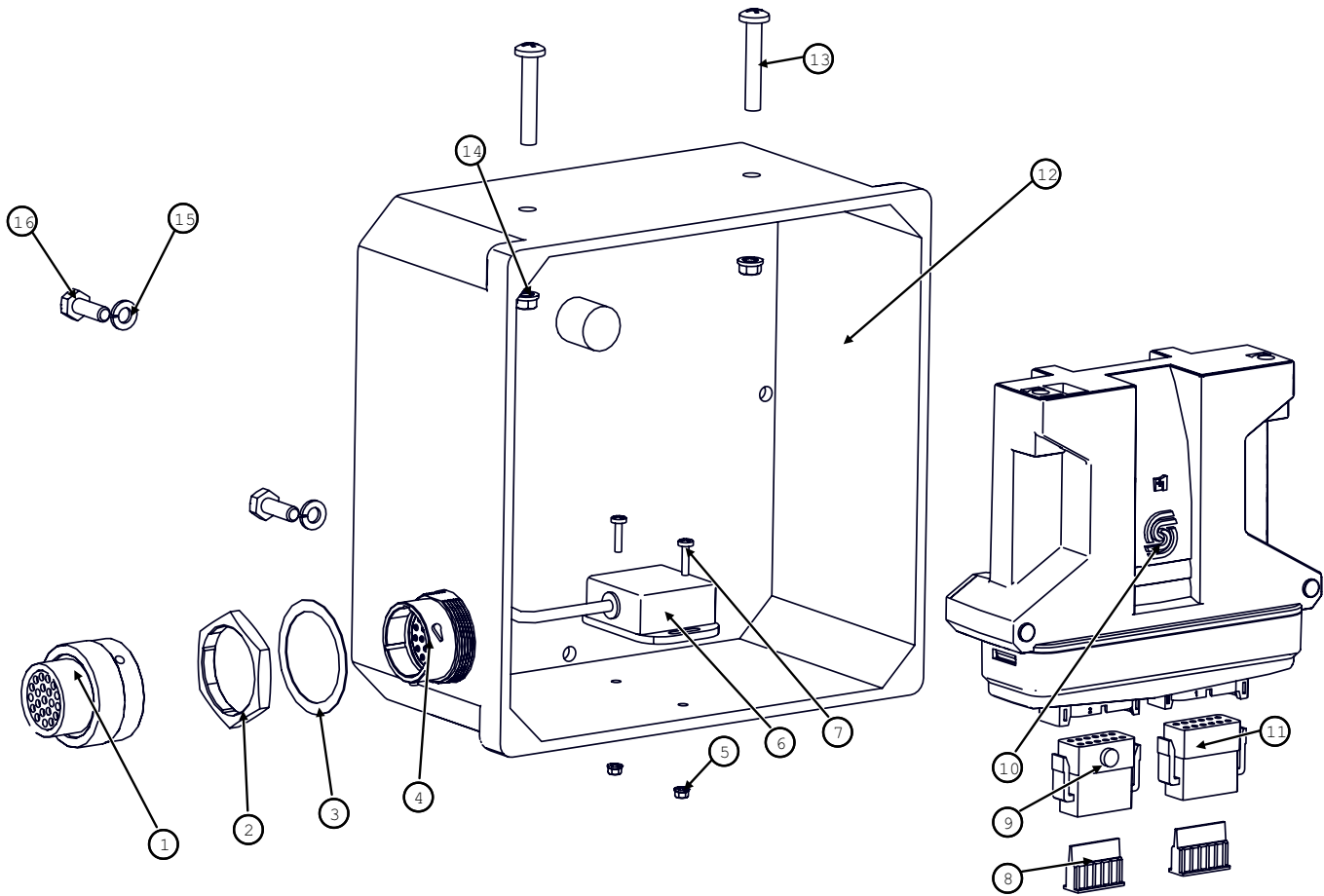


Model CH9020 Hillco Leveling System
For Serial Numbers CH9020-18001 thru CH9010-18999

Ladder			
BOM ID	Part No.	Qty	Description
1	122.012.030	6	BOLT,HX,FL,CL10.9 M12X30
2	1299181	6	PIVOT BUSHING
3	153.014.012	4	BUSHING,MACH,WR
4	123.012	4	NUT,HX,FL,CL10 M12
5	1305801	1	STEP, FOLDING LADDER
6	1305861	1	ROCK SHAFT
7	122.008.025	2	BOLT,HX,FL,CL10.9 M8X25
8	1305811	1	LEFT LINK
9	1248861	1	LADDER HANDLE
10	1305821	1	RIGHT LINK
11	1305871	1	LADDER MOUNT, LEFT (-YDG218539)
	1306781		LADDER MOUNT, LEFT (YDG218540-)
12	126.01	4	NUT,HX,STV,CL10 M10
13	1305921	1	LADDER MOUNT, RIGHT (-YDG218539)
	1306791		LADDER MOUNT, RIGHT (YDG218540-)
14	128.01	8	NUT,HX,FL,STV,CL10 M10
15	1305831	2	UPPER ARM
16	174.005	2	NUT,HX,JAM,GR5 5/16-18
17	122.010.030	12	BOLT,HX,FL,CL10.9 M10X3
18	123.008	2	NUT,HX,FL,CL10 M8
19	136.005	4	WASHER,LCK,MED-SPLIT 5/16
20	134931	4	BRACKET, LIFT SUPPORT
21	139251	2	LIFT SUPPORT, GAS CHARGED,
22	166.004.004	4	SCREW,SKT,SET 1/4-28X1/4
23	10049.03.00016	2	SQ,1018,CD 3/16X1
24	1253901	1	LADDER WEDGE (-YDG218539)
	1307451	1	LADDER WEDGE (YDG218540-)
25	1251802	2	STEP SUPPORT, RIGHT

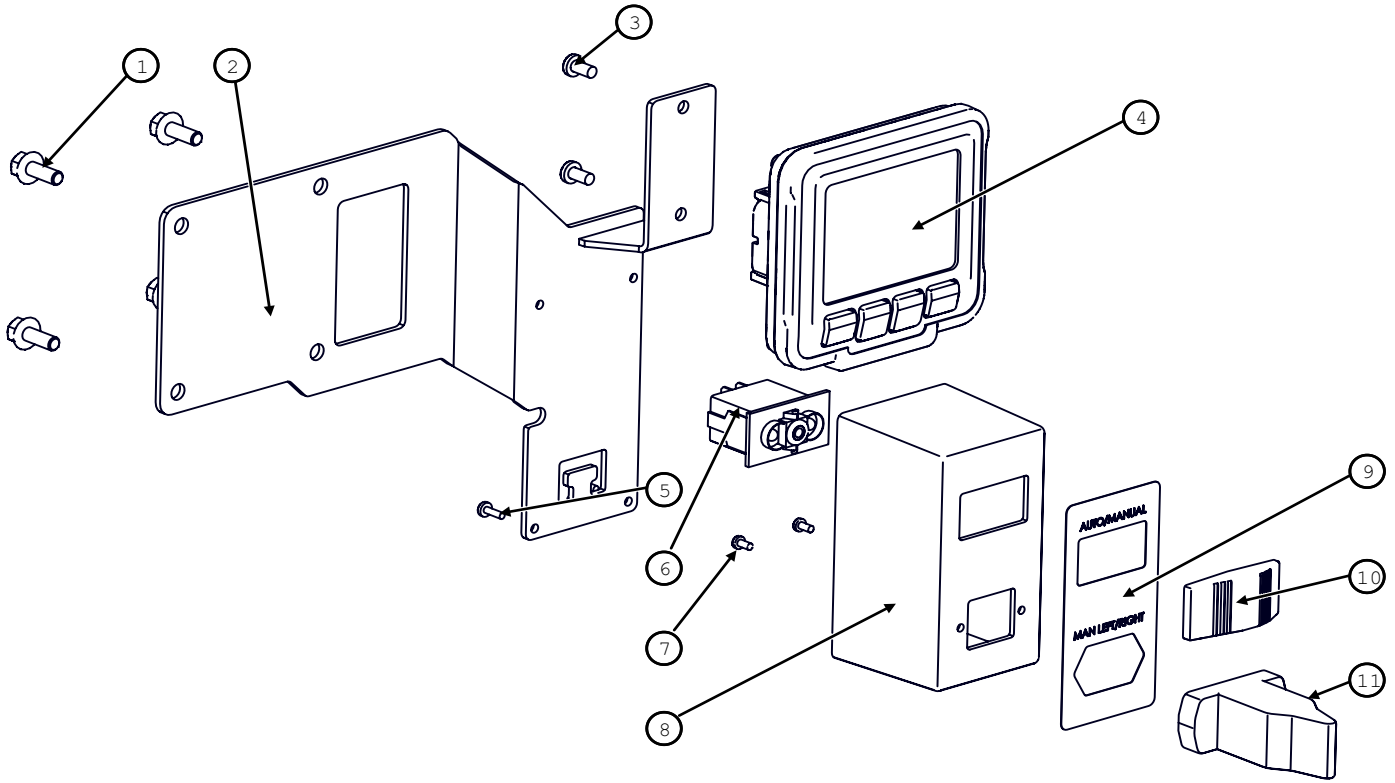
Model CH9020 Hillco Leveling System
 For Serial Numbers CH9020-18001 thru CH9010-18999

LEVELING BOX



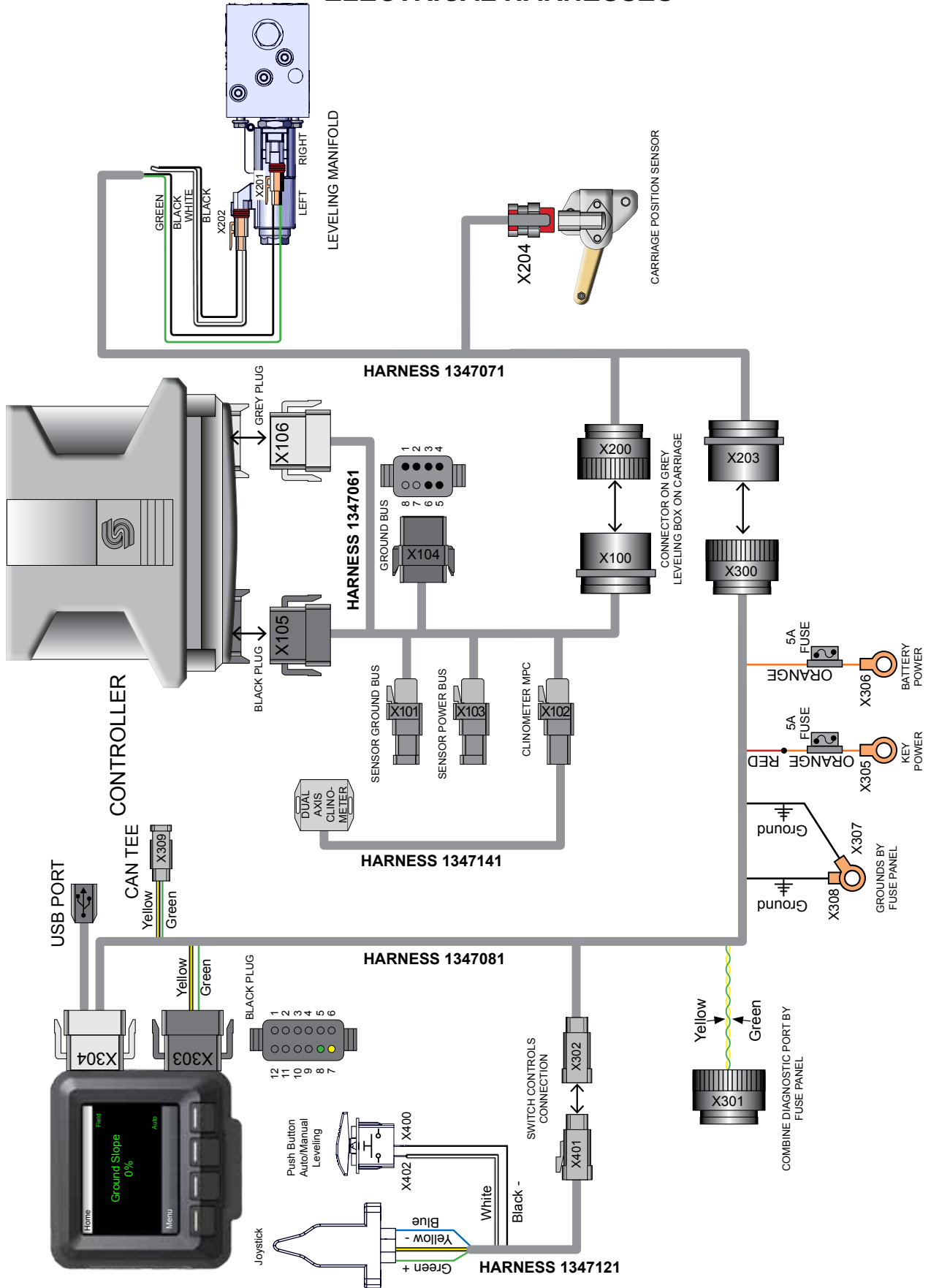
Leveling Box			
BOM ID	Part No.	Qty	Description
1	155789	1	PLUG, DEUTSCH, 21 POS
2	155792	1	PANEL NUT, PLASTIC, DEUTSCH
3	155791	1	LOCK WASHER, PANEL, DEUTSCH
4	155790	1	RECEPTACLE, DEUTSCH, 21POS
5	119.#06	2	NUT,HX,FL,SERR 6-32
6	1347141	1	CLINOMETER, DUAL AXIS
7	114.#06.008	2	SCREW,PHM,CH 6-32X1/2
8	141741	2	WEDGE,12-SOCKET,
9	141761	1	PLUG,12-SOCKET,
10	155713	1	CONTROLLER, PROGRAM 1346641
11	141751	1	PLUG,12-SOCKET,A-KEY
12	1346521	1	CONTROLLER BOX
13	114.004.024	2	SCREW,PHM,CH,SERR
14	119.004	2	NUT,HX,FL,SERR 1/4-20
15	136.004	3	WASHER,LCK,MED-SPLIT 1/4
16	101.004.012	3	BOLT,HX,GR5 1/4-20X3/4

MONITOR & REMOTE SWITCHES

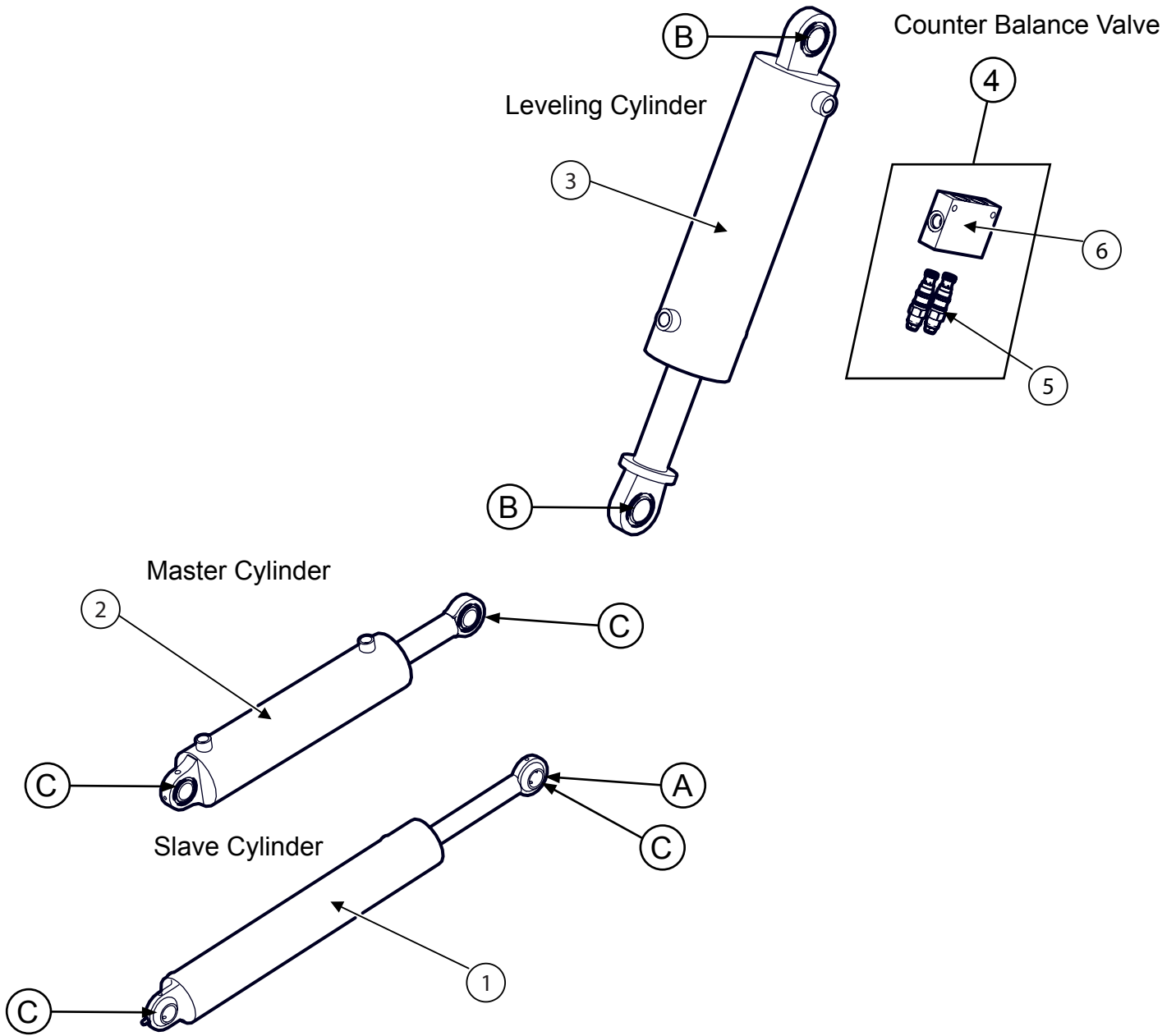


Monitor & Remote Switches			
BOM ID	Part No.	Qty	Description
1	122.006.016	4	M6X16
2	1347111	1	MOUNT, LEVELER CONTROLS
3	171.005.010	2	SCREW,PHM,CH M5X10
4	155685	1	DISPLAY, CC PILOT, 3.5" VI, 16MB
5	114.#06.006	4	SCREW,PHM,CH 6-32X3/8
6	155785	1	SWITCH, SPST MOMENTARY
7	171.003.006	2	SCREW,PHM,CH M3X6
8	155265	1	SWITCH BOX
9	155796	1	DECAL, SWITCH BOX, LEVELING SYSTEM
10	EC-149581	1	CONTURA BLACK ACTUATOR WAYTEK 44361
11	155784	1	JOYSTICK, SINGLE AXIS

ELECTRICAL HARNESSES



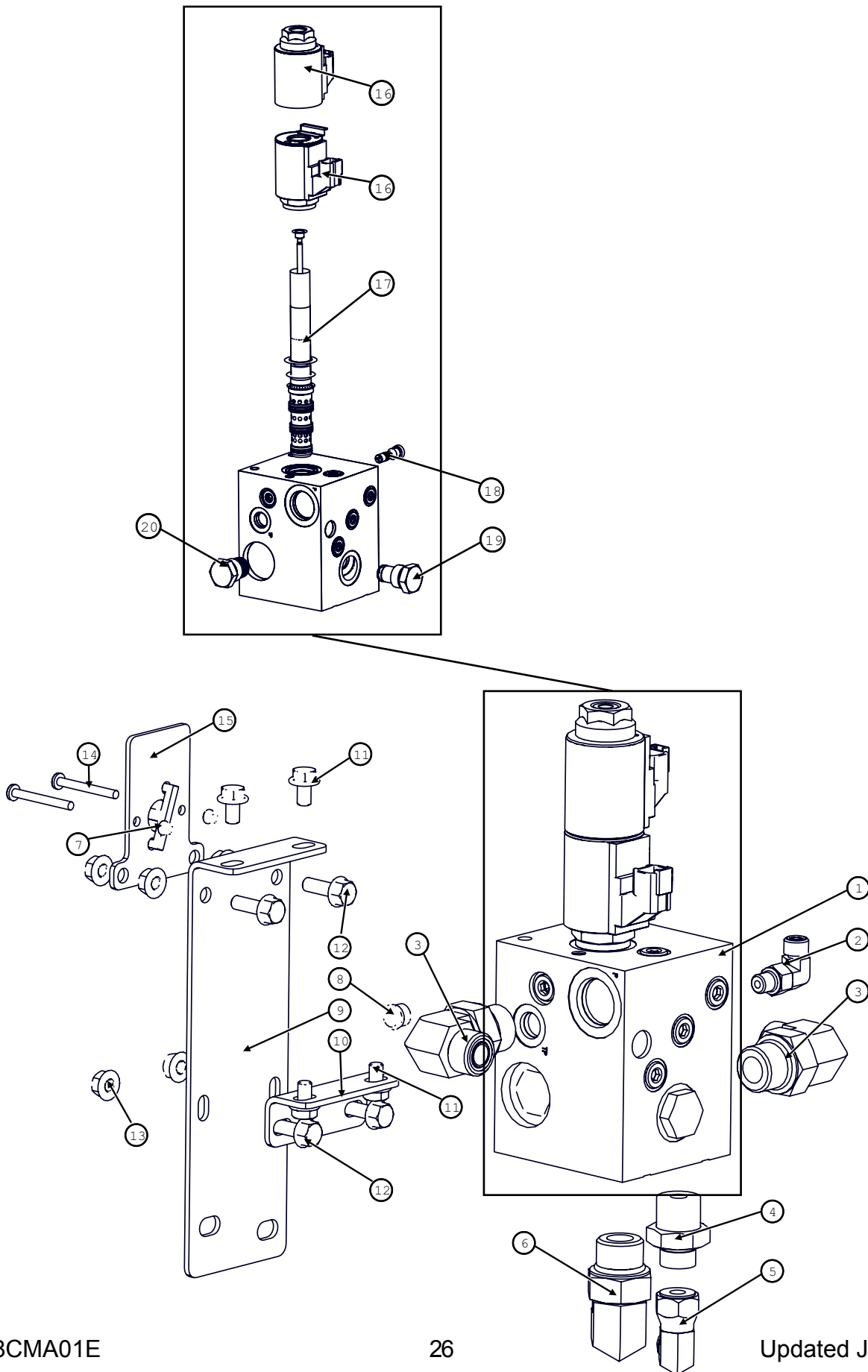
HYDRAULICS COMPONENTS



Model CH9020 Hillco Leveling System
For Serial Numbers CH9020-18001 thru CH9010-18999

COUNTERBALANCE VALVE AND CYLINDERS				
REF.	PART NO.	QTY.	PART NAME	NOTES
1	147491	1	SLAVE CYL, 1-1/8" R, 12-1/2" S, 2-1/2 B, 21" CPC	
NS	HC-141281	1	SEAL KIT, SLAVE CYLINDER	
2	147501	1	CYLINDER, MASTER	
NS	HC-134201	1	SEAL KIT, MASTER CYLINDER	
3	147522	2	CYLINDER, MAIN	
NS	155666	2	SEAL KIT, MAIN CYLINDER	
4	155603	2	VALVE ASM, COUNTERBALANCE	
5	139161	4	CARTRIDGE, COUNTERBALANCE VALVE	
6	155611	2	BODY, COUNTERBALANCE VALVE	
NS	HC-140361	4	SEAL KIT, COUNTERBALANCE VALVE	TWO SEAL KITS REQUIRED PER COUNTERBALANCE VALVE
HYDRAULIC FASTENERS				
REF.	PART NO.	QTY.	PART NAME	WHERE USED
A	F-SSS-04F04	6	SET SCREW, 1/4-28 X 1/4	ALL CYLINDERS
B	MC-150881	4	1 3/8" BEARING, SEALED SPHERICAL	
C	MC-150871	4	1" BEARING, SEALED SPHERICAL	

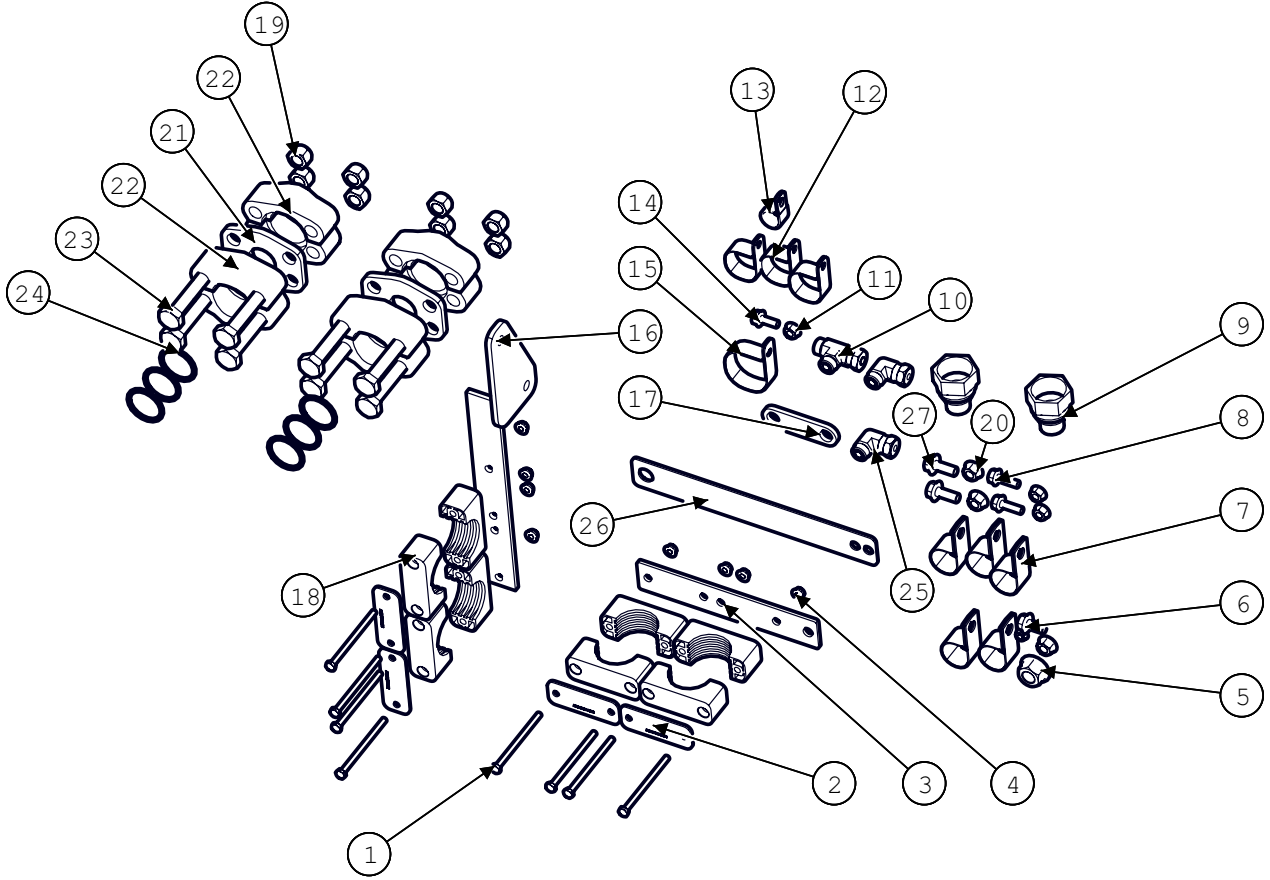
LEVELING MANIFOLD



Model CH9020 Hillco Leveling System
For Serial Numbers CH9020-18001 thru CH9010-18999

LEVELING MANIFOLD			
BOM ID	Part No.	Qty	Description
1	1343021	1	HIGH-FLOW (COMATROL P/N11191146)
2	1003.04.04	1	HA,90°
3	1003.12.10	2	HA,90°
4	1001.12.08	1	HA,STR
5	1006.08.08	1	-8FORFS X -8MORFS
6	1003.12.08	1	HA,90° -12MORB X -8MORFS
7	119.#10	2	NUT,HX,FL,SERR 10-24
8	1019.06	1	HA,PLUG,SKT,HD
9	1313221	1	MANIFOLD MOUNT, BASE
10	1313231	1	MANIFOLD MOUNT, BASE
11	111.005.008	4	BOLT,HX,FL,GR5 5/16-18X1/2
12	122.008.025	4	M8X25
13	123.008	6	M8x1.25
14	114.#10.028	2	SCREW,PHM,CH 10-24X1-3/4
15	1259951	1	MOUNT, TILT SENSOR
16	155854	2	SOLENOID COIL,M19,PROP,DEUTSCH
17	155855	1	CARTRIDGE VALVE,3 POS,4 WAY, PROP, 16GPM
18	155236	1	CHECK VALVE, REVERSE DIRECTION
19	155238	1	CAVITY PLUG, 2 WAY, 10 SERIES
20	155234	1	CAVITY PLUG, 3 WAY, 10 SERIES

HYDRO HOSES ACCESSORIES



Model CH9020 Hillco Leveling System
For Serial Numbers CH9020-18001 thru CH9010-18999

Hydro Hose Accessories			
BOM ID	Part No.	Qty	Description
1	170.006.090	8	BOLT,HX,CL8.8 M6X90
2	140651	4	COVER PLATE
3	1251862	1	HYDROHOSE SUPPORT
4	123.006	9	NUT,HX,FL,CL10 M6
5	123.016	1	NUT,HX,FL,CL10 M16
6	122.010.020	1	BOLT,HX,FL,CL10.9 M10X20
7	143601	5	CLAMP, HOSE 1-1/8"
8	122.008.025	2	BOLT,HX,FL,CL10.9 M8X25
9	1004.16.10	2	HA,STR
10	1008.06	1	SWIVEL NUT, RUN, -6ORFS
11	123.008	3	NUT,HX,FL,CL10 M8
12	135631	3	CLAMP, 1-1/2" R/C W 3/8
13	135791	1	CLAMP, HOSE
14	122.008.020	1	BOLT,HX,FL,CL10.9 M8X20
15	135781	1	CLAMP, HOSE 2 R/C W/3/8 HOLE
16	1251832	1	HOSE BRACKET, HYDRO
17	1275651	1	HYDROHOSE SPREADER
18	140641	4	CLAMP, 2" BEHRINGER
19	126.014	8	NUT,HX,STV,CL10 M14
20	123.01	3	NUT,HX,FL,CL10 M10
21	1272161	2	UNION, CODE 62, 1-1/4"
22	147611	8	FLANGE, CODE 62, -20
23	121.014.090	8	BOLT,HX,CL10.9 M14X90
24	147621	6	O-RING, CODE 62
25	1006.06.06	2	-6FORFS X -6MORFS
26	1285102	1	HYDROHOSE PULL
27	122.010.025	2	BOLT,HX,FL,CL10.9 M10X25

Model CH9020 Hillco Leveling System
For Serial Numbers CH9020-18001 thru CH9010-18999

HYDRAULIC HOSES

Hydraulic Hoses				
BOM ID	Part No.	Qty	Description	Where Used
NS	1140531	1	100R2-08 X 104",	LEVELING PORT "A" TO CB PORT #2 LEFT CYLINDER (BRANCH LEG OT TEE)
NS	1140541	1	100R2-08X184-1/2,	LEVELING PORT "B" TO CB VALVE PORT #2 RIGHT CYLINDER (BRANCH LEG OF TEE)
NS	1140551	1	100R15-20 82";	BOTTOM HYDROSTAT HOSE EXTENSION
NS	1140561	1	100R2-04 X 116",	MASTER CYLINDER BASE PORT TO SLAVE CYLINDER BASE
NS	1140571	1	100R2-04 X 138"	CONNECTS MASTER CYLINDER ROD TEE TO SLAVE CYLINDER ROD PORT
NS	1140581	1	100R17AR-04 111"	HEADER TILT HOSE
NS	1140591	1	100R2-04 X 104",	HEADER TILT HOSE
NS	1141921	1	100R1-03 X 70",	HEADER TILT HOSE
NS	1147691	1	100R15-20 78";	TOP HYDROSTAT HOSE EXTENSION
NS	1154131	1	100R16-10 18"	BRAKE VALVE SUPPLY HOSE
NS	1319751	1	100R17AR-16 114";	EXTENDS CASE DRAIN HOSE
NS	1324171	2	100R15-12 72";	REPLACES THE FORWARD PROPULSION HOSE ON THE LEFT & RIGHT RWA MOTORS
NS	1324181	2	100R15-10 72";	REPLACES THE REVERSE PROPULSION HOSE ON THE LEFT & RIGHT RWA MOTORS
NS	1325061	1	100R17AR-08 9";	EXTENDS CASE DRAIN HOSE ON THE LEFT RWA MOTOR
NS	1336941	2	100R17AR-08X75"; -08FF STRx-08FF 90° D29MM	COUNTERBALANCE VALVE CROSS OVER TO COUNTERBALANCE VALVE
NS	1336951	2	100R17AR-08X15-1/4";	COUNTERBALANCE VALVE TO MAIN LEVELING CYLINDER ROD PORT
NS	1140602	2	TITFLEX-04 83"	EXTENDS BRAKE LINES
NS	1140502	2	100R17AR-10 X 24";	LEVELING VALVE PRESSURE AND RETURN PORTS
NS	1140492	1	HH ASM, 100R17AR-04 18";	LOAD SENSE HOSE EXTENSION
Brake Hoses				
NS	1140602	2	TITFLEX-04 83"	EXTENDS BRAKE HOSES

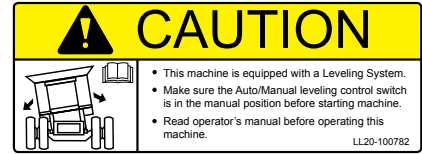
MISCELLANEOUS



1) LL-133741



2) LL-151061



3) LL20-100782



4) LL20-100783



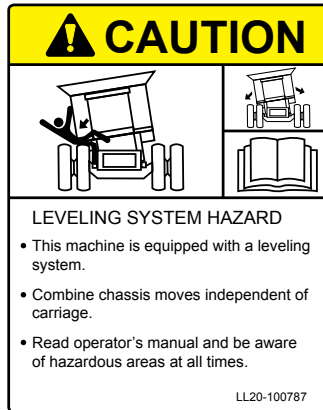
5) LL20-100784



6) LL20-100785



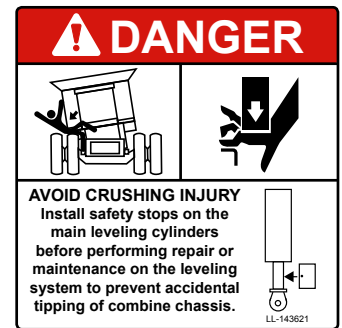
7) LL20-100786



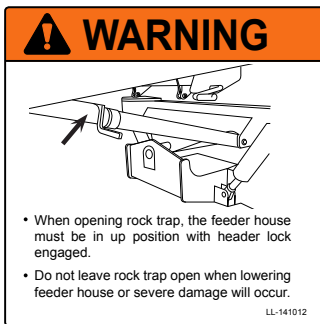
8) LL20-100787



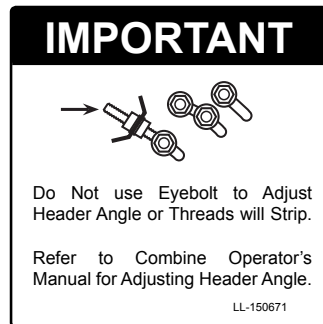
9) LL20-100788



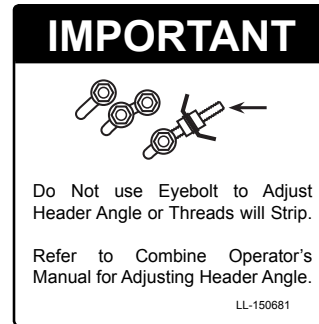
10) LL-143621



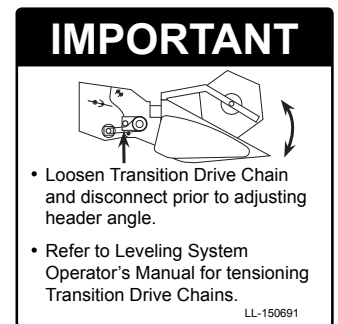
11) LL-141012



12) LL-150571



13) LL-150581



14) LL-150591

Model CH9020 Hillco Leveling System
For Serial Numbers CH9020-18001 thru CH9010-18999

DOCUMENTS AND LABELS				
REF.	PART NO.	QTY.	PART NAME	NOTES
1	LL-133741	2	LABEL, GREASE 50 HR	RH AND LH MAIN LEV CYL BOTTOM
1	LL-133741	1	LABEL, GREASE 50 HRS	BY BASE END OF SLAVE CYLINDER
1	LL-133741	2	LABEL, GREASE 50 HRS	REAR FACE 12" ON BOTH SIDES OF PIVOT PIN
1	LL-133741	2	LABEL, GREASE 50 HRS	RH AND LH BULKHEAD MOUNT
2	LL-153631	2	DECAL, CASE HILLSIDE LEVELING SYSTEM (20 YEAR ANNIVERSARY)	SIDE PANELS ON COMBINE
3	LL20-100782	1	CAUTION LEVELING SYSTEM CAB	WINDOW IN CAB
4	LL20-100783	2	DANGER, CRUSHING HAZARD	FRONT UC LEFT & RIGHT
4	LL20-100783	2	DANGER CRUSHING HAZARD	SIDE OF COMBINE ABOVE REAR TIRES
5	LL20-100784	2	DANGER PINCH POINT	RH & LH UPPER TRANS FACE PLT
6	LL20-100785	1	CAUTION MOVING STEP	COMBINE LADDER CHANNEL
7	LL20-100786	1	WARNING, ELECTRONIC CRUSHING HAZARD	FRONT OF CONTROL BOX
8	LL20-100787	2	CAUTION LEVELING SYSTEM HAZARD	CLEAN GRAIN ELEVATOR (RH); SCREEN (LH)
9	LL20-100788	3	DANGER HYDRAULIC HAZARD	1- EA MAIN CYLINDER
9	LL20-100788	1	DANGER HYDRAULIC HAZARD	ABOVE HYDRAULIC MANIFOLD
10	LL-143621	2	DANGER, AVOID CRUSHING INJURY	REAR OF UC NEAR THE SAFETY STOP MNTS
11	LL-141012	2	DECAL, ROCK TRAP WARNING	BY ROCK TRAP HANDLE AND ON SHIELD ABOVE HANDLE
12	LL-150671	1	LABEL, EYEBOLT LEFT	BELOW LEFT EYEBOLT MOUNT
13	LL-150681	1	LABEL, EYEBOLT RIGHT	BELOW RIGHT EYEBOLT MOUNT
14	LL-150691	1	LABEL, HEADER ANGLE	ON RH SIDE TT ASM NEAR TOP ADJ BOLTS
NS	EC-150131	1	DECAL, REMOTE SWITCH BOX	
NS	LL-141011	2	DECAL, ROCK TRAP WARNING	BY ROCK TRAP HANDLE AND ON SHIELD ABOVE HANDLE
NS	LL-239412	1	LABEL, STEERING WHEEL	TIED TO STEERING WHEEL DURING INSTALLATION
NS	LL-274401	1	LABE, LIMIT SWITCH WARNING	LIMIT SWITCH
NS	LA-255951	1	PLATE, SERIAL NUMBER	LEFT REAR OF UNDERCARRIAGE
NS	D-111212CMA01A	1	CH9010 OPERATORS MANUAL	SN 16001-16999

Model CH9020 Hillco Leveling System
For Serial Numbers CH9020-18001 thru CH9010-18999

Hillco Technologies, Inc.
107 1st Avenue
Nezperce, Idaho 83543

Phone	800-937-2461
	208-937-2461
Fax	208-937-2280

www.hillcotechnologies.com
email: support@hillcotechnologies.com