



# **Model 2975H Hillside Leveling System Parts Manual**

SN 2975H-12001 thru 2975H-14999

For John Deere 9660-70, 9760-70 &  
9860-70 STSCombines

D-11010CMA01A



## Table of Contents

<b>General Information</b>	<b>3</b>
Serial Number Location	3
Text and Illustrations	3
Abbreviations	3
Right and left Identification	3
Part Orders	3
<b>TRANSITION</b>	<b>4</b>
Transition Fasteners	6
Radial Pin Slip Clutch Assembly	8
<b>DRIVE WHEEL</b>	<b>9</b>
<b>CARRIAGE</b>	<b>10</b>
Carriage Fasteners	12
<b>DROP AXLE</b>	<b>14</b>
<b>LADDER</b>	<b>16</b>
<b>ELECTRICAL</b>	<b>18</b>
Leveling Box and Monitor Display	18
Remote Switches	20
Electrical Connectors & Cables	21
<b>HYDRAULICS COMPONENTS</b>	<b>23</b>
PFC Pump and Leveling Manifold Assembly	25
PFC Pump Assembly	26
PFC Pump Idler Assembly	28
PFC Leveling Manifold	29
Header Trim Manifold	30
Hydraulic Hoses	32
Hydraulic Hoses (Continued)	33
Hydraulic Adapters	34
<b>MISCELLANEOUS</b>	<b>35</b>

### Contact Information

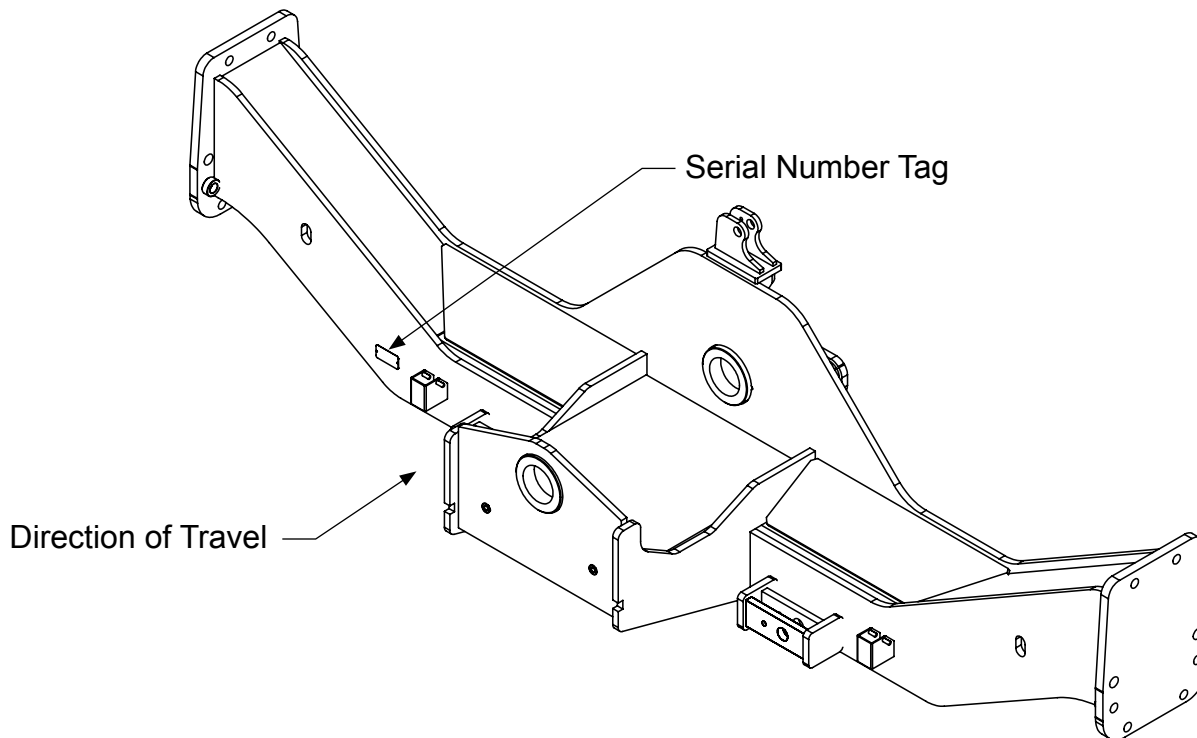
Hillco Technologies, Inc.  
107 1st Avenue  
Nezperce, Idaho 83543

Phone 800-937-2461  
208-937-2461  
Fax 208-937-2280

[www.hillcotechnologies.com](http://www.hillcotechnologies.com)  
email: [support@hillcotechnologies.com](mailto:support@hillcotechnologies.com)

## **GENERAL INFORMATION**

### **SERIAL NUMBER LOCATION**



### **TEXT AND ILLUSTRATIONS**

The arrangement of this parts catalog is for easy identification of parts. All parts are illustrated in exploded views in proper relation to each other. Some diagrams refer to other pages for further information. Reference numbers used in the illustrations refer to line numbers in the part lists. The part lists appear to the right or below all diagrams and correspond with those diagrams. Included in the part lists, along with the reference numbers are part numbers, part descriptions and the quantity of the part required per leveling system.

### **ABBREVIATIONS**

**SN** "Serial Number" refers to the serial number given to each leveling system (by Hillco Technologies), as well as the serial number given to the combine (by the specific combine manufacturer) the leveling system is installed. See above for the leveling system's serial number location. This abbreviation is used interchangeably in both instances. Each Model 2975H Leveling System uses the following serial number format: 2975H-XXXX (sequential numbers).

**ASM** "Assembly" refers to a whole grouping of parts (shown in the diagram corresponding with the page where "ASM" is shown unless otherwise noted). Some assemblies have parts that are sold separately, however some must be purchased as a single unit. Hillco Product Specialists will be able to assist you with any questions.

**NS** "Not Shown" refers to a part that is not depicted in the illustration.

### **RIGHT AND LEFT IDENTIFICATION**

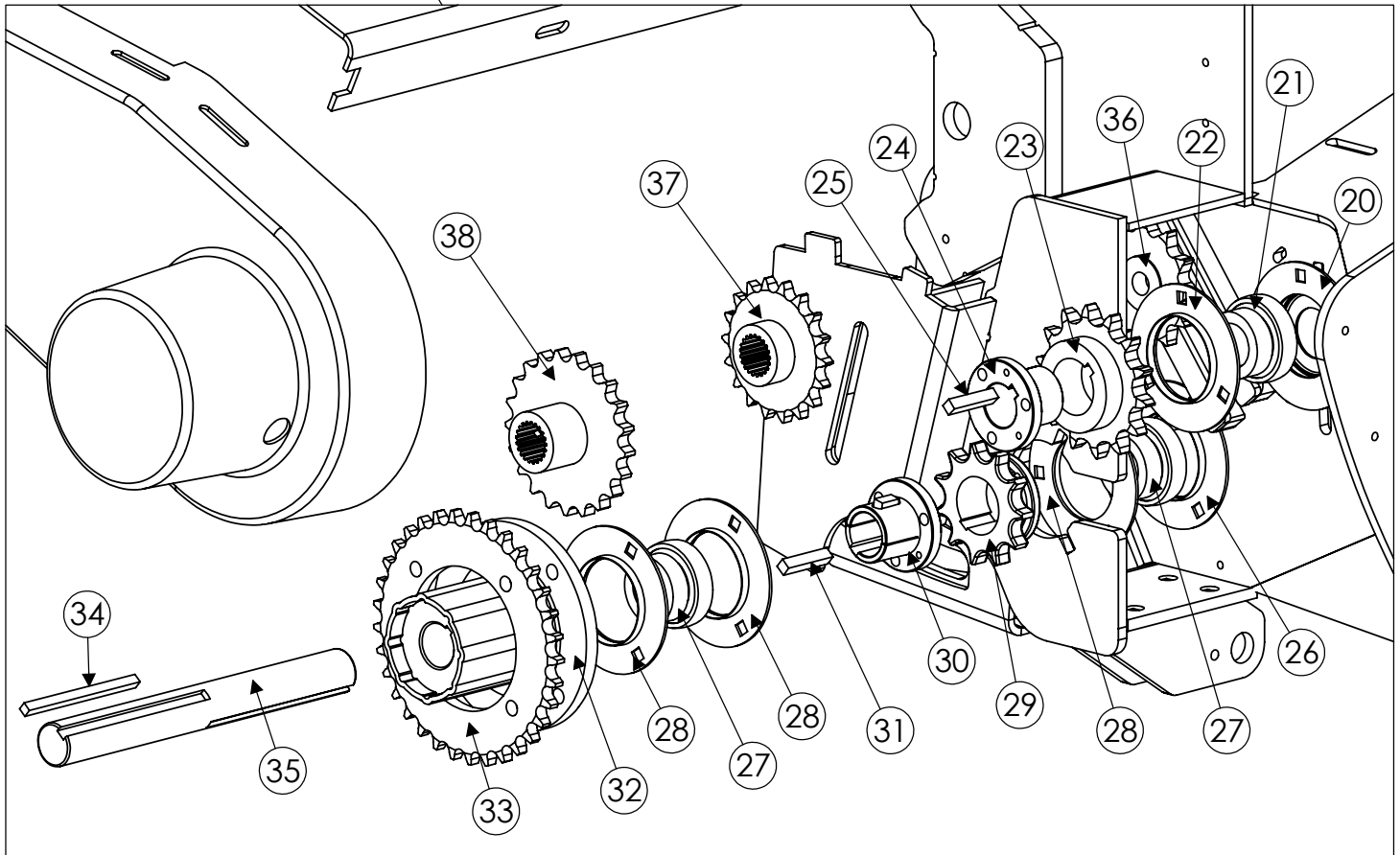
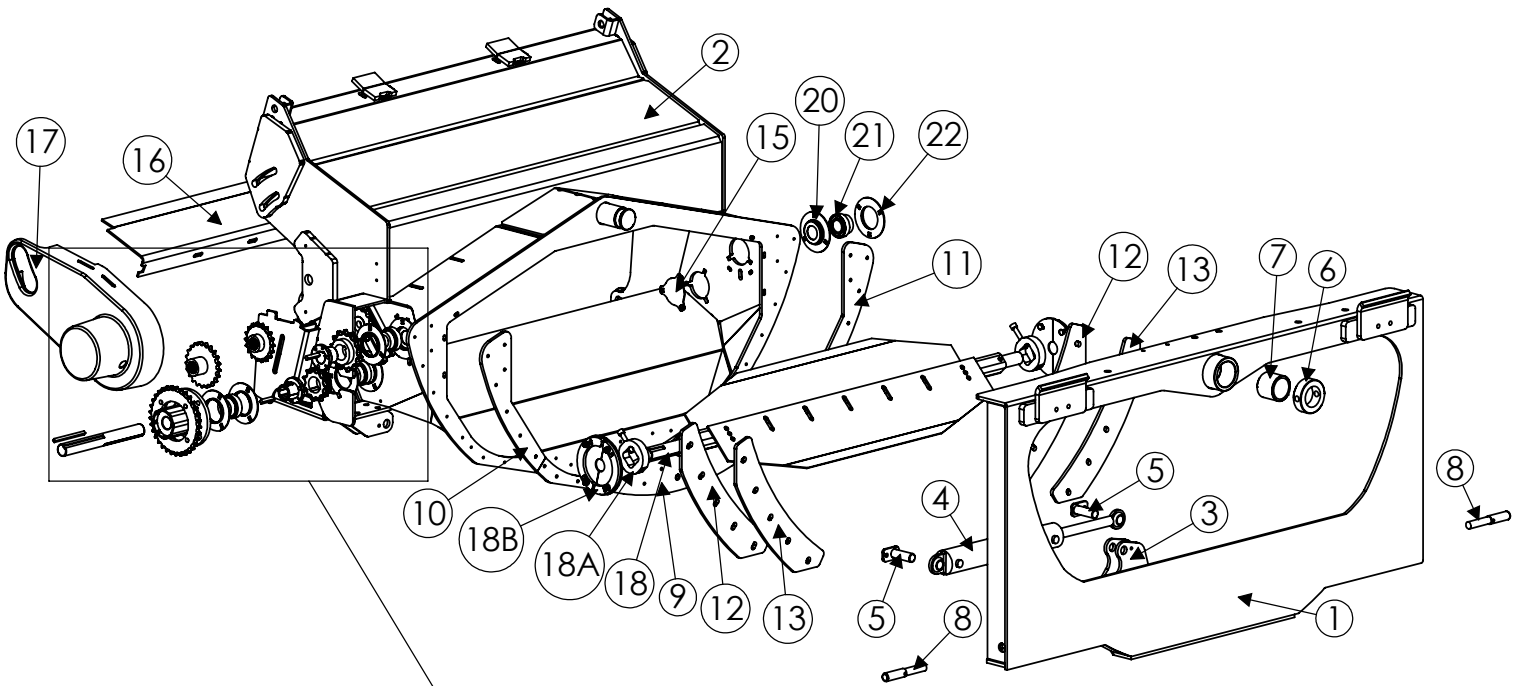
The reference to right-hand and left-hand in this catalog is identified by the operator sitting in the operator's seat, looking toward the front of the machine (in normal forward travel).

### **PART ORDERS**

Orders must specify product model, serial number, correct part number, complete description, quantity required, method of shipment, shipping address, and billing address.

Model 2975H Hillco Leveling System  
For Serial Numbers 2975H-12001 thru 2975H-14999

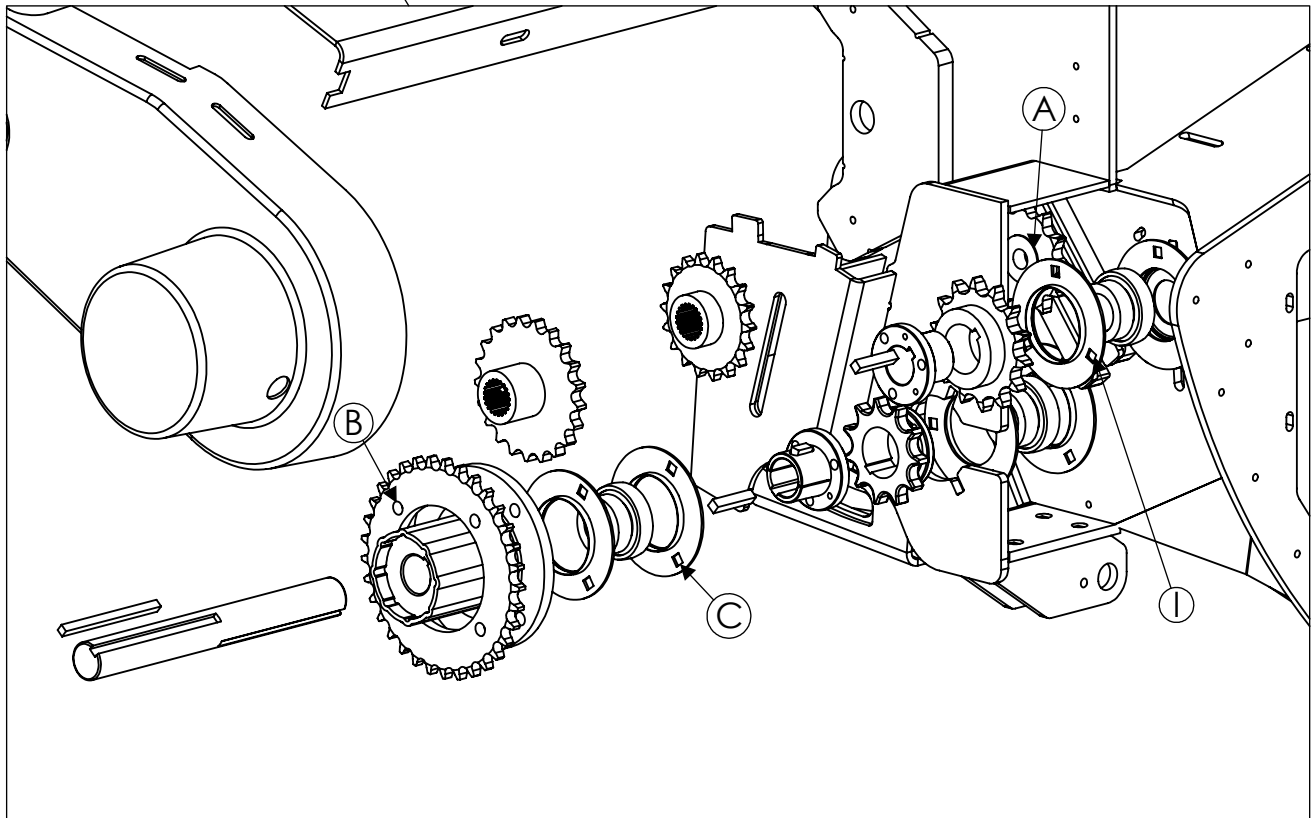
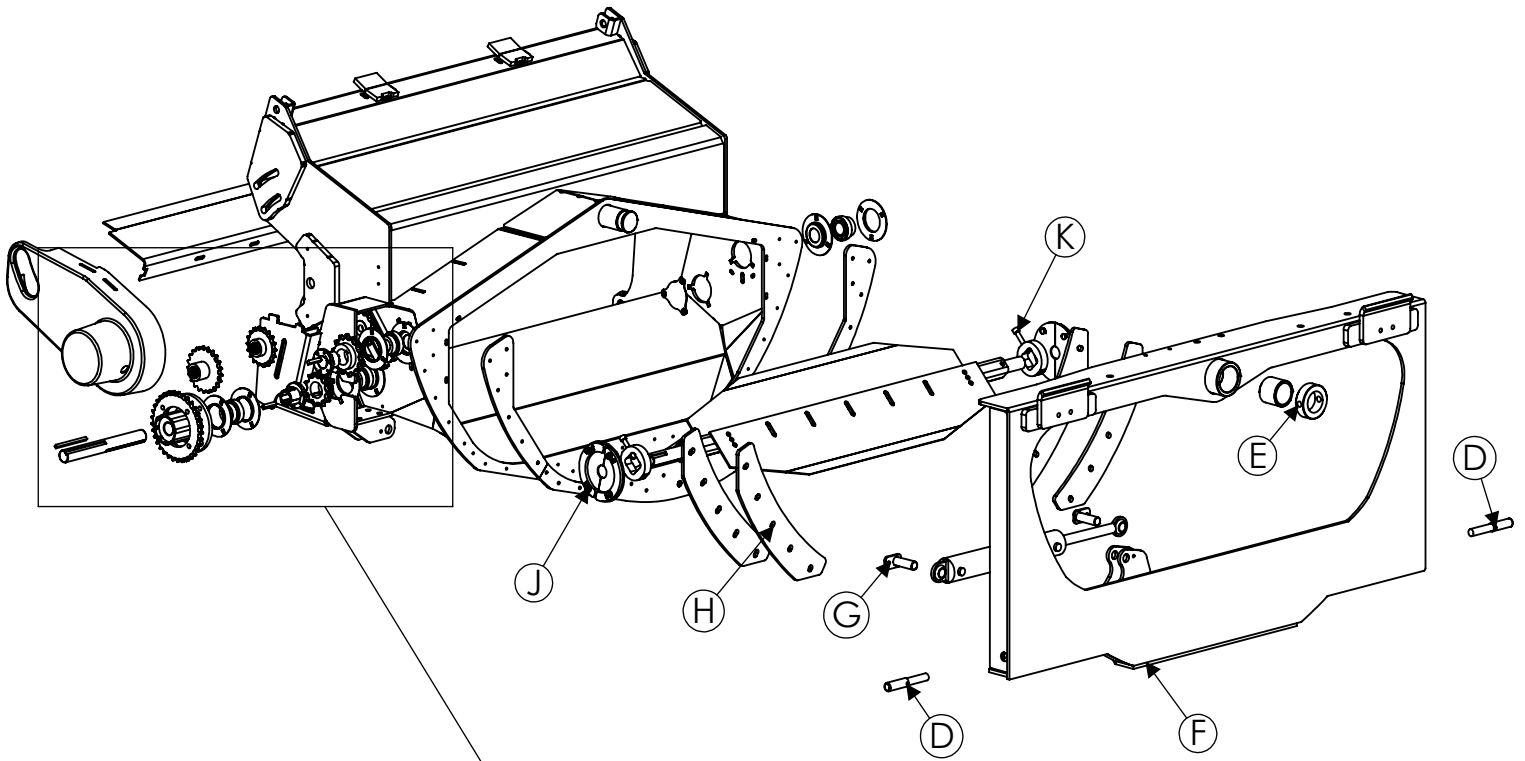
**TRANSITION**



Model 2975H Hillco Leveling System  
For Serial Numbers 2975H-12001 thru 2975H-14999

<b>TRANSITION COMPONENTS</b>				
<b>REF.</b>	<b>PART NO.</b>	<b>QTY.</b>	<b>DESCRIPTION</b>	<b>NOTES</b>
1	LA-228893	1	TRANSITION FACE PLATE ASM	
2	LA-271732	1	TRANSITION THROAT ASM	
3	LA-229022	1	TM MOUNT ASM, ROD	
4	HC-147491	1	CYLINDER, SLAVE	SEE HYDRAULICS PAGE 23
5	LA-229071	2	TM PIN ASM, TRIM CYLINDER	
6	LM-226841	1	TM COLLAR, PIVOT	
7	LTP-241721	1	BUSHING, GRAPHITE	
8	LM-229192	2	TM ROD, LOCK	
NS	MC-135531	2	SPRING, COMPRESSION; FOR HEADER LOCK	
9	LM-229152	1	TM PLATE, WEAR BOTTOM	
10	LM-229161	1	TM PLATE, WEAR LH	
11	LM-229171	1	TM PLATE, WEAR RH	
12	LP-249861	2	TM PLT, BACKING	
13	LP-249871	2	TM UHMW, BACKING	
15	LP-266271	1	TT PLT, CAP	
16	LP-271691	1	TT PLT, FLEX FLOOR REAR	
17	MC-147671	1	TM SHIELD, BEATER DRIVE	
<b>BEATER SHAFT</b>				
18	LA-251632	1	TB ASM, SHAFT	
18A	LA-286331	2	TT PLT, SHAFT SEAL (ANTI-WRAP)	
18B	LA-286311	4	TT ASM, CAN (ANTI-WRAP)	
19	LP-286321	2	TB PADDLE, METAL	
20	LA-243691	2	TM ASM, INNER FLANGETTE	
21	MC-100548	2	BEARING INSERT, 1-7/16, NON-RELUBE	
22	MC-101339	1	FLANGETTES, RND BEARING (PAIR)	
23	MC-136151	1	SPROCKET, 80P, 14T TAPER BORE	
24	MC-135511	1	HUB, SPLIT TAPER 1-7/16	
25	LS-212701	1	TM KEY, BEATER DRIVE, 3/8 X 2	
NS	LP-232162	1	TM ROLLER CHAIN, 28 PIN 80P	
NS	MC-139341	1	LINK, CONNECTING, 80P	
NS	MC-139351	1	LINK, OFFSET, 80P	
<b>TRANSITION THROAT JACK SHAFT</b>				
26	LA-243691	1	TM ASM, INNER FLANGETTE	
27	MC-100548	2	BEARING INSERT, 1-7/16, NON-RELUBE	
28	MC-101339	2	FLANGETTES, RND BEARING (PAIR)	
29	MC-135491	1	SPROCKET, 11T 80P TAPER BORE HRD	
30	MC-135511	1	HUB, SPLIT TAPER 1-7/16	
31	LS-212701	1	TM KEY, BEATER DRIVE, 3/8 X 2	
32	MC-136921	1	RADIAL PIN SLIP CLUTCH 1-7/16 BORE & 5/16 KEY	
33	LM-226532	1	TM SPROCKET, RADIAL SLIP CLUTCH	
34	LS-244471	1	TM KEY, RADIAL PIN SLIP CLUTCH	
35	LM-229142	1	TT SHAFT, JACK	
36	MC-137441	1	SPOCKET, IDLER 80P, 12T, 3/4	
37	LA-273851	1	TM ASM, DRIVE SPROCKET	
38	LA-235891	1	TM DRIVE ASM, TRAN, 21T 60P	

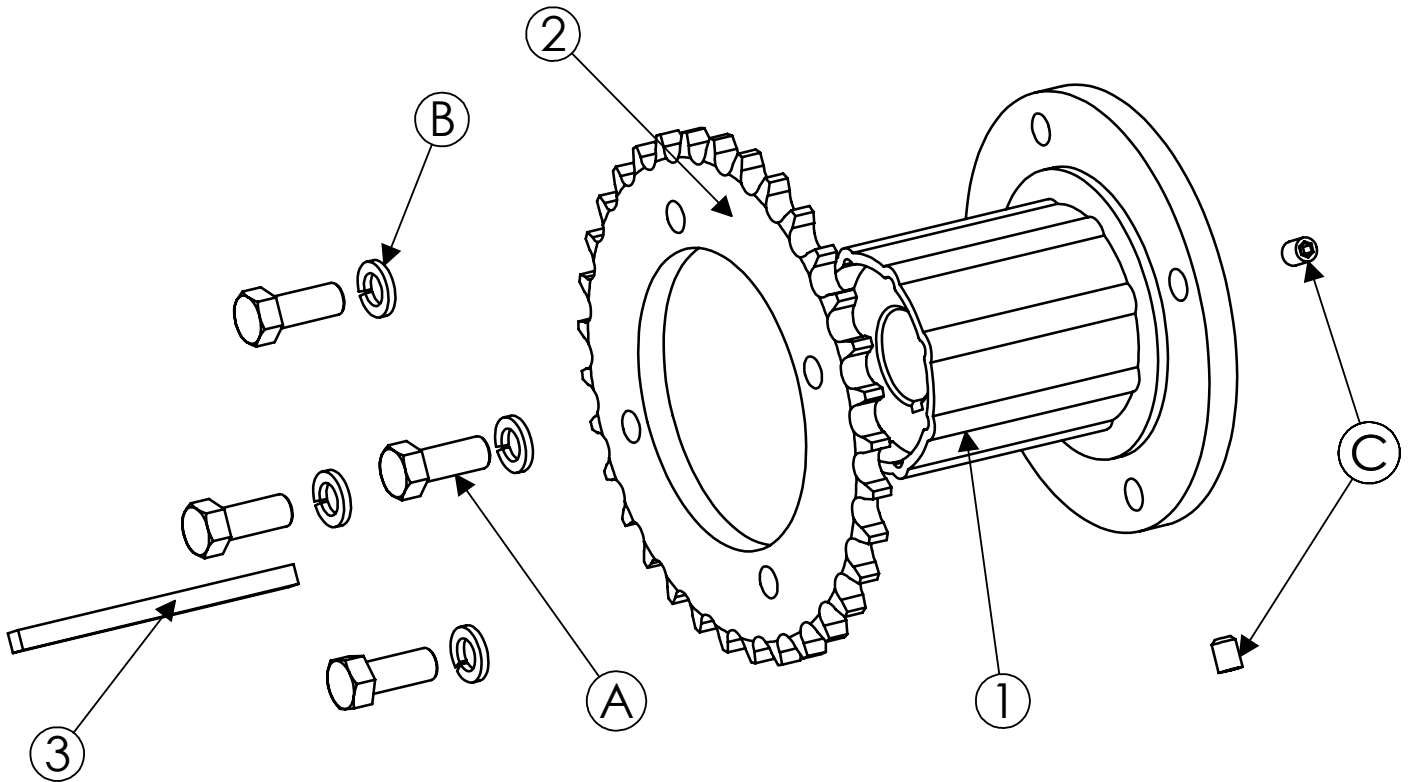
### TRANSITION FASTENERS



Model 2975H Hillco Leveling System  
For Serial Numbers 2975H-12001 thru 2975H-14999

<b>TRANSITION FASTENERS</b>				
<b>REF.</b>	<b>PART NO.</b>	<b>QTY.</b>	<b>DESCRIPTION</b>	<b>NOTES</b>
A	F-FWH-12	10	FW, HD 3/4	80P IDLER SPROCKET AXLE
A	F-HC8-12C48	1	HC8 3/4-10 X 3" PLT	80P IDLER SPROCKET AXLE
A	F-HNS-12C	1	HN8 3/4-10 STV PLT	80P IDLER SPROCKET AXLE
B	F-HC8-08F20	4	HC8 1/2-20 X 1-1/4	RADIAL PIN SLIP CLUTCH
B	F-LW-08A	4	LW 1/2 HD	RADIAL PIN SLIP CLUTCH
C	F-CB-10M030F	12	CARR-8.8 M10 X 1.50 X 30 PLT	JACKSHAFT BEARINGS, OUTER
C	F-HNF-10MF	12	FLHN-8.8 M10 X 1.50 PLT	JACKSHAFT BEARING
D	F-SHC-10M070F	2	SHCS-8.8 M10 X 1.50 X 70 PLT	THA HEADER LOCK
E	F-HC-16M120E	1	HC-10.9 M16 X 2.00 X 120 PLT	TRANSITION MAIN PIVOT PIN COLLAR
E	F-HNS-16ME	1	HN-10.9 M16 X 2.00 STV PLT	TRANSITION MAIN PIVOT PIN COLLAR
E	F-MB-14NR40	3	MACH BUSH 14 GA NR 2-1/2"	TRANSITION MAIN PIVOT PIN
F	F-HC-16M050E	3	HC-10.9 M16 X 2.00 X 50 PLT	ROD MNT
F	F-HNS-16ME	3	HN-10.9 M16 X 2.00 STV PLT	ROD MNT
G	F-HCF-10M020F	2	FLHC-8.8 M10 X 1.50 X 20 PLT	SLAVE CYL MNT PIN
H	F-FHS-8M016E	29	FHSC-10.9 M8 X 1.25 X 15	TT FACE PLATE
I	F-MB-14NR14	2	MACH BUSH 14 GA NR 7/8"	BEATER DRIVE ASM
J	F-CB-08M035F	8	SCREW, CARRIAGE HEAD - 8.8	BEATER CAN
J	F-HNFS-08ME	8	NUT, FLANGED STOVER -10.9	BEATER CAN
K	F-SHC-12M065D	2	SCREW, SOCKET HEAD CAP - 12.9	BEATER SHAFT

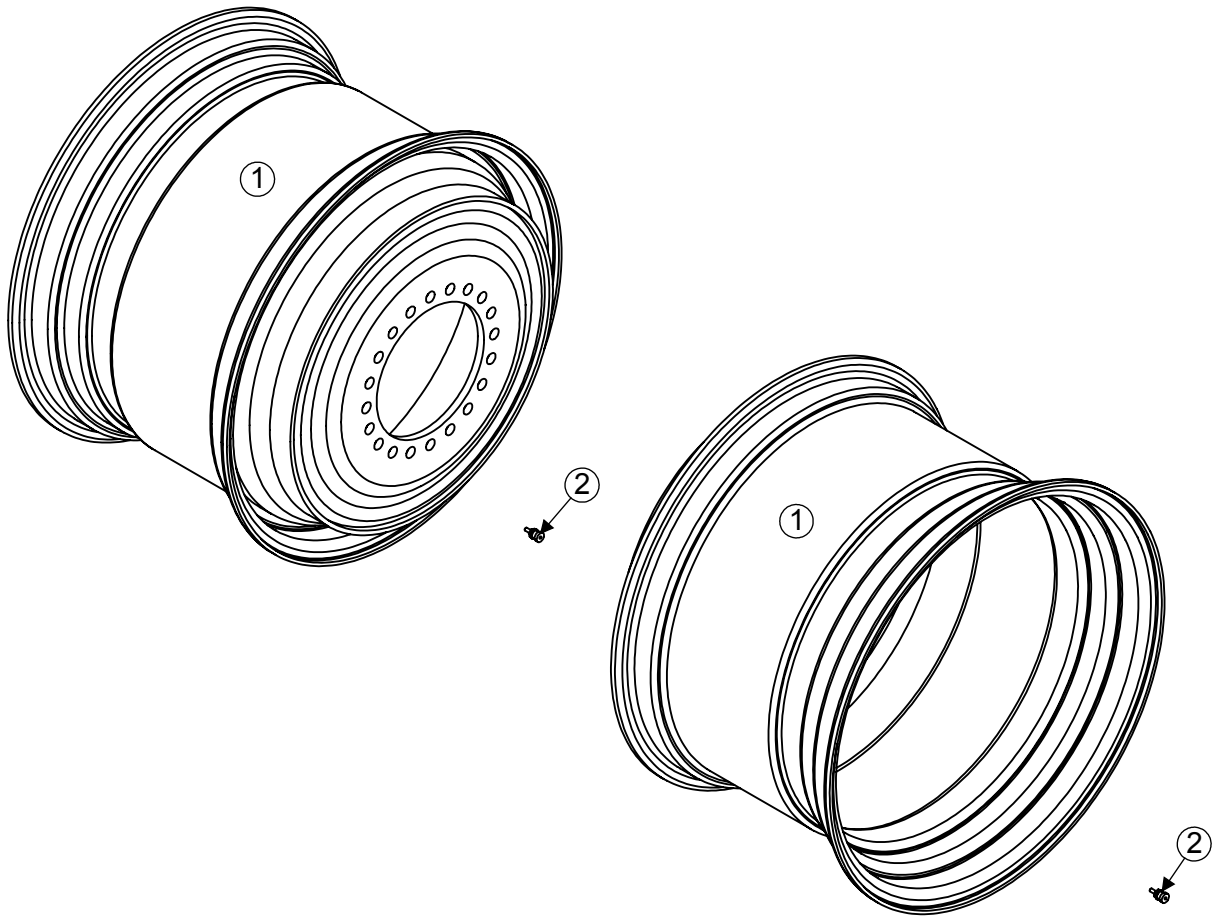
**RADIAL PIN SLIP CLUTCH**



<b>RADIAL PIN SLIP CLUTCH COMPONENTS</b>				
<b>REF.</b>	<b>PART NO.</b>	<b>QTY.</b>	<b>PART NAME</b>	<b>NOTES</b>
1	MC-136921	1	RADIAL PIN SLIP CLUTCH	
2	LM-226532	1	TM SPROCKET, RADIAL SLIP CLUTCH	
3	LS-244471	2	TM KEY, RADIAL PIN SLIP CLUTCH	
<b>RADIAL PIN SLIP CLUTCH FASTENERS</b>				
A	F-HC8-08F20	4	HC8 1/2-20 X 1-1/4	
B	F-LW-08A	4	LW 1/2 HD	
C	F-SSS-06C08	2	SCREW, SOCKET SET 3/8-16 X 2	



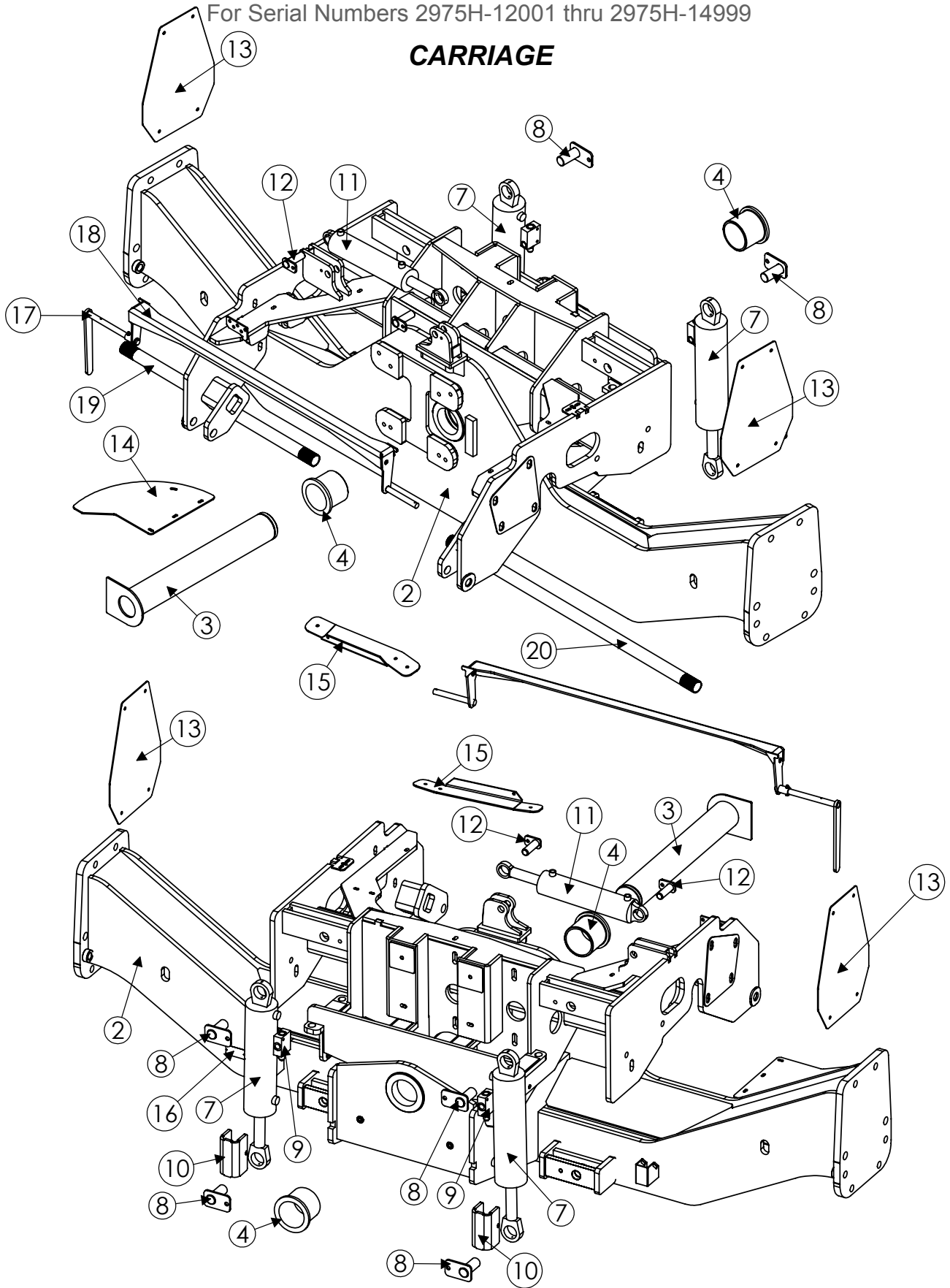
**DRIVE WHEEL**



<b>DRIVE WHEEL COMPONENTS</b>				
<b>REF.</b>	<b>PART NO.</b>	<b>QTY.</b>	<b>PART NAME</b>	<b>NOTES</b>
1	MC-143131	4	32 X 21 SINGLE PIECE WHEEL	
2	MC-143921	4	VALVE STEM	
<b>STEER WHEEL COMPONENTS</b>				
NS	JD PART NO AH202466		4 WD REAR WHEEL	JOHN DEERE SUPPLIED PART
NS	JD PART NO AT25226		REAR WHEEL VALVE STEM	JOHN DEERE SUPPLIED PART

Model 2975H Hillco Leveling System  
For Serial Numbers 2975H-12001 thru 2975H-14999

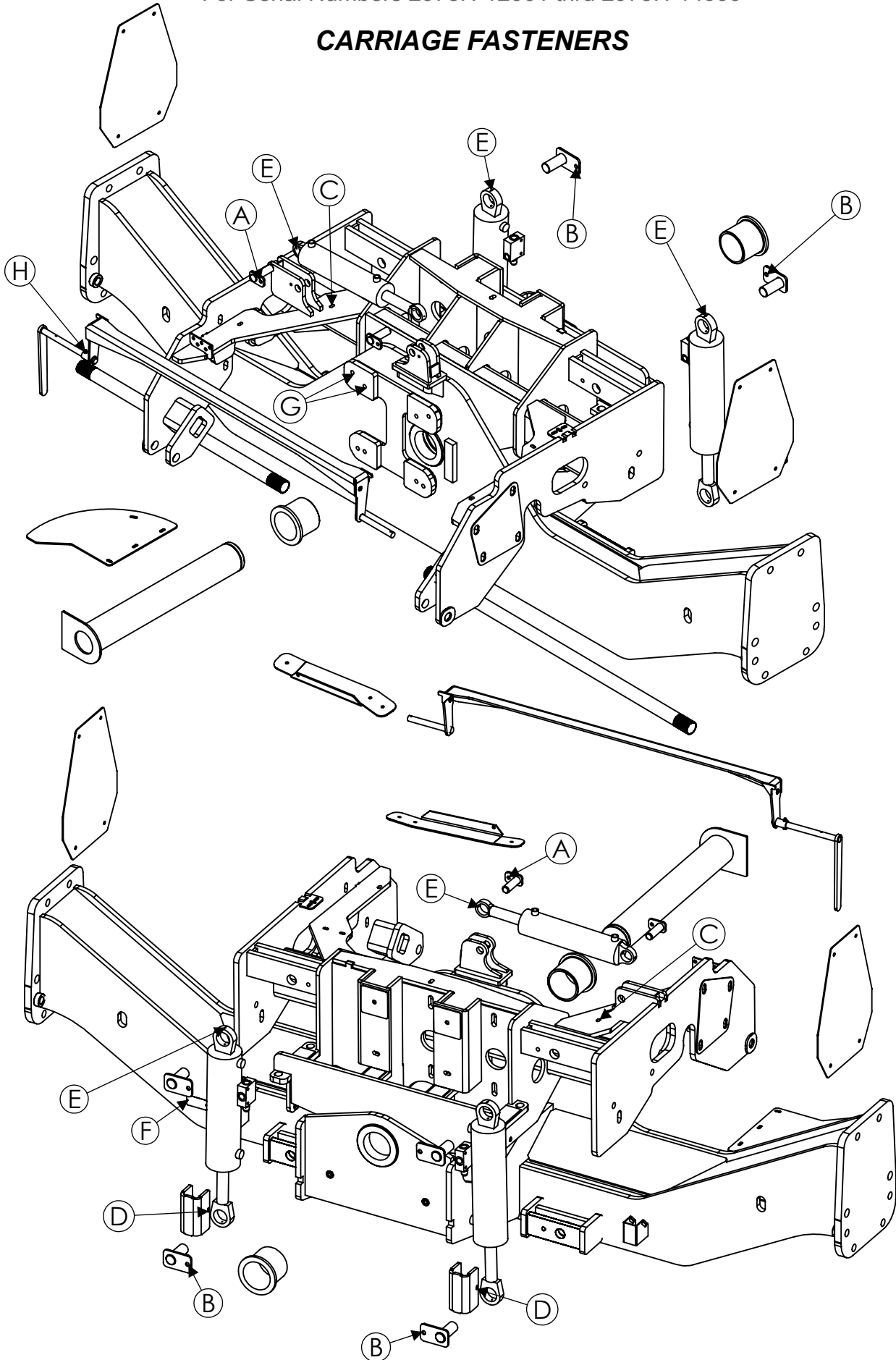
**CARRIAGE**



Model 2975H Hillco Leveling System  
For Serial Numbers 2975H-12001 thru 2975H-14999

<b>CARRIAGE COMPONENTS</b>				
<b>REF.</b>	<b>PART NO.</b>	<b>QTY.</b>	<b>DESCRIPTION</b>	<b>NOTES</b>
1	LA-271802	1	CO ASM	
2	LA-271791	1	CU ASM, 122.5	
3	LA-247482	1	CM PIN ASM, MAIN PIVOT	
4	LP-247961	2	CM BUSHING, PIVOT	
5	MC-138641	4	WASHER	
6	MC-138651	1	SNAP RING 4"	
7	HC-147511	2	CYLINDER, MAIN	SEE HYDRAULICS PAGE 23
8	LA-230552	4	CM PIN ASM, MAIN CYLINDER	
9	HC-139151	2	VALVE, 3-PORT COUNTERBALANCE	SEE HYDRAULICS PAGE 23
10	LP-249321	2	CM SPACER, SHIPPING	
11	HC-147501	1	CYLINDER, MASTER	SEE HYDRAULICS PAGE 23
12	LA-229071	2	TM PIN ASM, TRIM CLY	
13	LP-230241	2	CM CAP, AXLE	
14	LP-261121	1	HM TABLE, HYDRO HOSE	
15	LP-272101	1	HM MOUNT, HYDRO CLAMP	
16	LA-256001	1	TAG, SERIAL NUMBER	
ASM	LA-264171	1	LM, ASM, ROCK TRAP LINKAGE	
17	LA-264511	1	LM ASM, LINKAGE, ROCK TRAP	INCLUDED IN LA-264171
18	LA-264501	1	LM ASM, HANDLE, ROCK TRAP	INCLUDED IN LA-264171
<b>OPTIONAL</b>				
19	MC-134261	1	COUNTER SHAFT, 1228 MM, LEFT	RG&P 122.5 UNDERCARRIAGE, NO EXTENSIONS
20	MC-134271	1	COUNTER SHAFT, 951 MM, RIGHT	RG&P 122.5 UNDERCARRIAGE, NO EXTENSIONS
<b>OPTIONAL - PRO-DRIVE OPTION</b>				
NS	LP-274251	1	HM TABLE, HYDRO HOSE	
NS	LM-274241	1	LM PLT, SUPPORT, HYDRO HOSE	
NS	LA-274291	1	HM ASM, MNT PROPORTIONATOR	
NS	LA-274261	1	LM ASM, BULKHEAD MNT	
NS	LA-264171	1	LM, ASM, ROCK TRAP LINKAGE	

### CARRIAGE FASTENERS

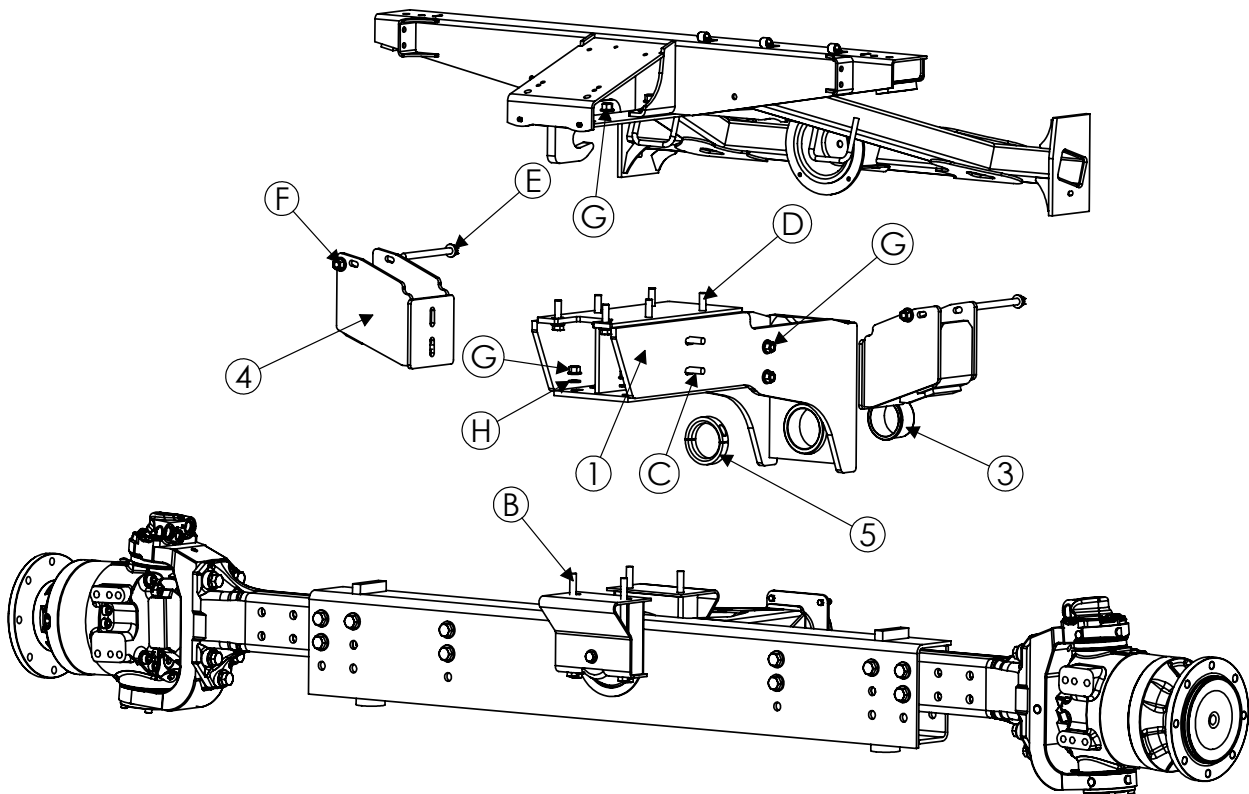
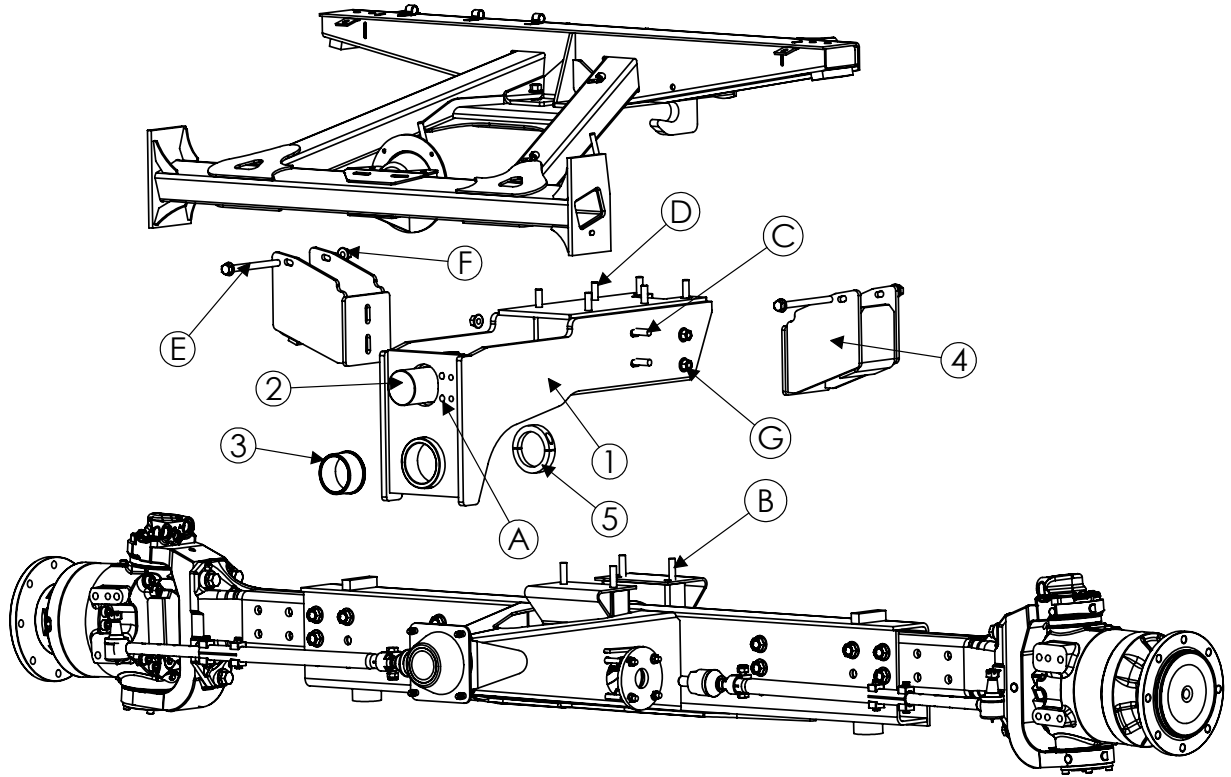


Model 2975H Hillco Leveling System  
For Serial Numbers 2975H-12001 thru 2975H-14999

<b>CARRIAGE FASTENERS</b>				
<b>REF.</b>	<b>PART NO.</b>	<b>QTY.</b>	<b>DESCRIPTION</b>	<b>NOTES</b>
A	F-HCF-10M020E	2	FLHC-10.9 M10 X 1.50 X 20 PLT	MASTER CYLINDER MOUNT PIN
B	F-HCF-12M040F	4	FLHC-8.8 M12 X 1.75 X 40 PLT	LEVELING CYLINDER MOUNT PIN
B	F-HNS-12ME	4	HN-10.9 M12 X 1.75 STV PLT	LEVELING CYLINDER MOUNT PIN
C	F-HCF-8M030F	2	FLHC-8.8 M8 X 1.25 X 30	HOSES CLAMPS FOR HEADER LIFT CYLINDER & GREASE HOSES
C	F-HNF-08MF	2	FLHN-8.8 M8 X 1.25 PLT	HOSES CLAMPS FOR HEADER LIFT CYLINDER & GREASE HOSES
D	F-PSL-04X48	2	SNAP LOCK PIN 1/4 X 3	SHIPPING SPACERS ON CYLINDERS
E	F-SSS-04F04	6	SET SCREW, SOCKET 1/4-28 X 1/4	MASTER & MAIN CYLINDERS
F	F-UDS-#7X06	2	#7 X 3/8 U-DRIVE SCREW	SERIAL NUMBER PLATE
G	MC-143711	4	STUD, DOUBLE-ENDED 10.9 M16 X 2.00 X 75 (20mm END - 41mm END)	UPPER TRANSMISSION MOUNTING HOLES ON UNDERCARRIAGE
H	F-HC-06M035E	1	HEX CAP SCREW M6 X 1.0 X 35 PLT	ROCK TRAP
H	F-HNN-06MF	1	HEX NUT M6 X 1.0 NYLOCK	ROCK TRAP

Model 2975H Hillco Leveling System  
For Serial Numbers 2975H-12001 thru 2975H-14999

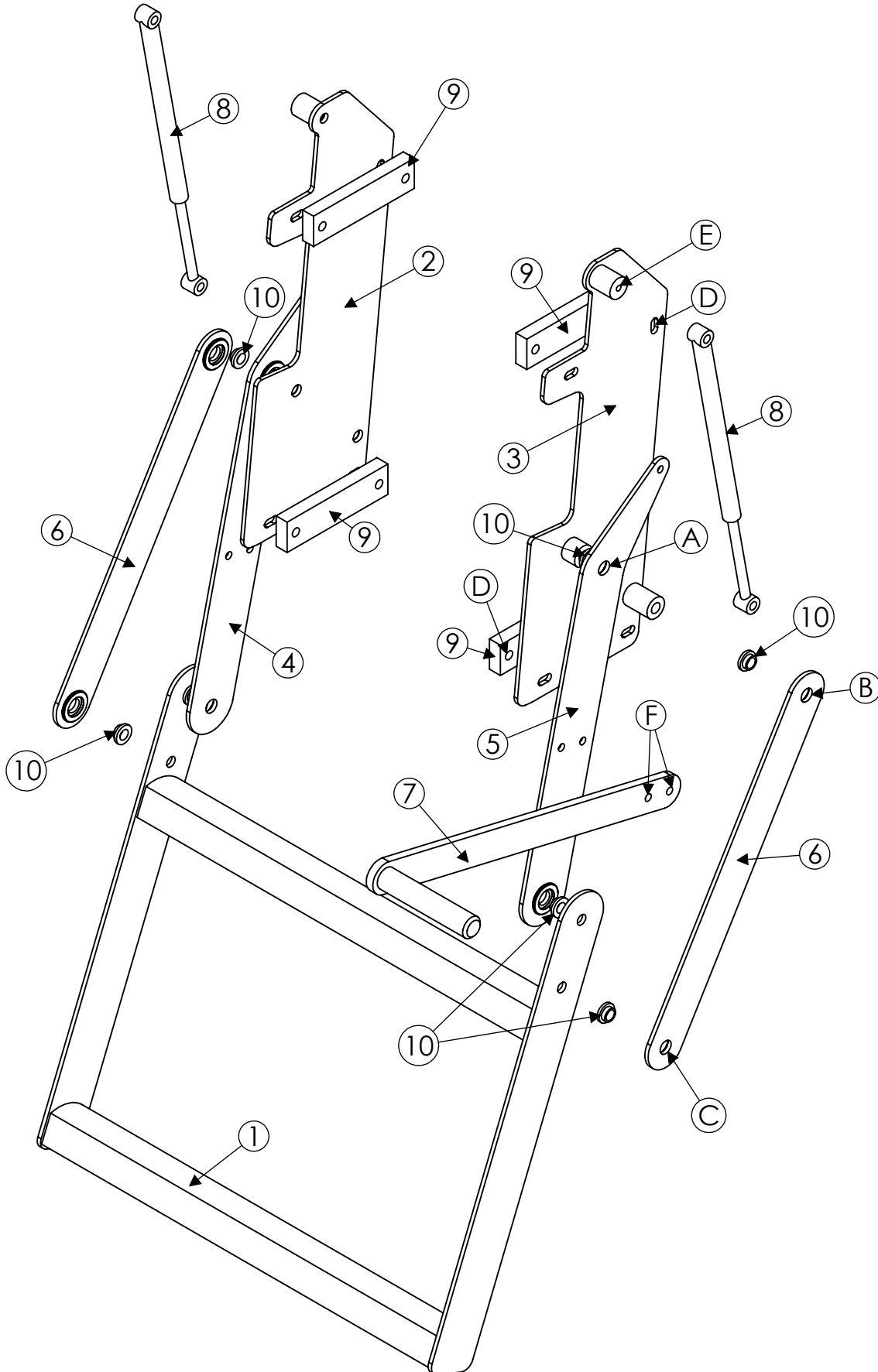
**DROP AXLE**



Model 2975H Hillco Leveling System  
For Serial Numbers 2975H-12001 thru 2975H-14999

<b>DROP AXLE COMPONENTS</b>				
<b>REF.</b>	<b>PART NO.</b>	<b>QTY.</b>	<b>DESCRIPTION</b>	<b>NOTES</b>
ASM	LA-271261	1	DA ASM, 2975	
1	LA-271271	1	DA ASM	
2	LA-265541	1	DA ASM, PIVOT	
3	LP-235092	1	LM BUSHING, DA PIVOT	
4	LA-271281	2	DA ASM, WING	
5	LM-263711	1	COLLAR, CLAMPING 3-1/2"X4-3/4"	
<b>DROP AXLE FASTENERS</b>				
A	F-HCF-16M050E	4	FLHC-10.9 M16 X 2.00 X 50 PLT	
B	F-HC-16M250E	4	HC-10.9 M16 X 2.00 X 250 Plated	AXLE TO DROP AXLE
C	F-CB-16M50E	4	CARR-10.9M16 X 2.00 X 50 HEAD SCREW	DROP AXLE WING TO CHASSIS
D	F-HCF-16M060E	6	FLHC-10.9 M16 X 2.00 X 60 Plated	DROP AXLE TO CHASSIS
E	F-HCF-12M190E	2	FLHC-10.9 M12 X 2.00 X 180 Plated	DROP AXLE WING TO CHASSIS
F	F-HNFS-12ME	2	FLHN-10.9 M12 X 1.75 STOVER Plated	DROP AXLE WING
G	F-HNFS-16ME	16	HN-10.9 M16 X 2.00 FLANGE STOVER Plated	DROP AXLE WING, MNT BOLTS
H	F-FHD-10	4	FW 5/8 HD	AXLE TO DROP AXLE
NS	LA-273461	1	3/8" 100R2 15" #8FORS X #8MORS	EXTENDS LEFT STEERING HOSES
NS	LA-273861	1	3/8" 100R2 15" #6FORS X #6MORS	EXTENDS RIGHT STEERING HOSE

**LADDER**

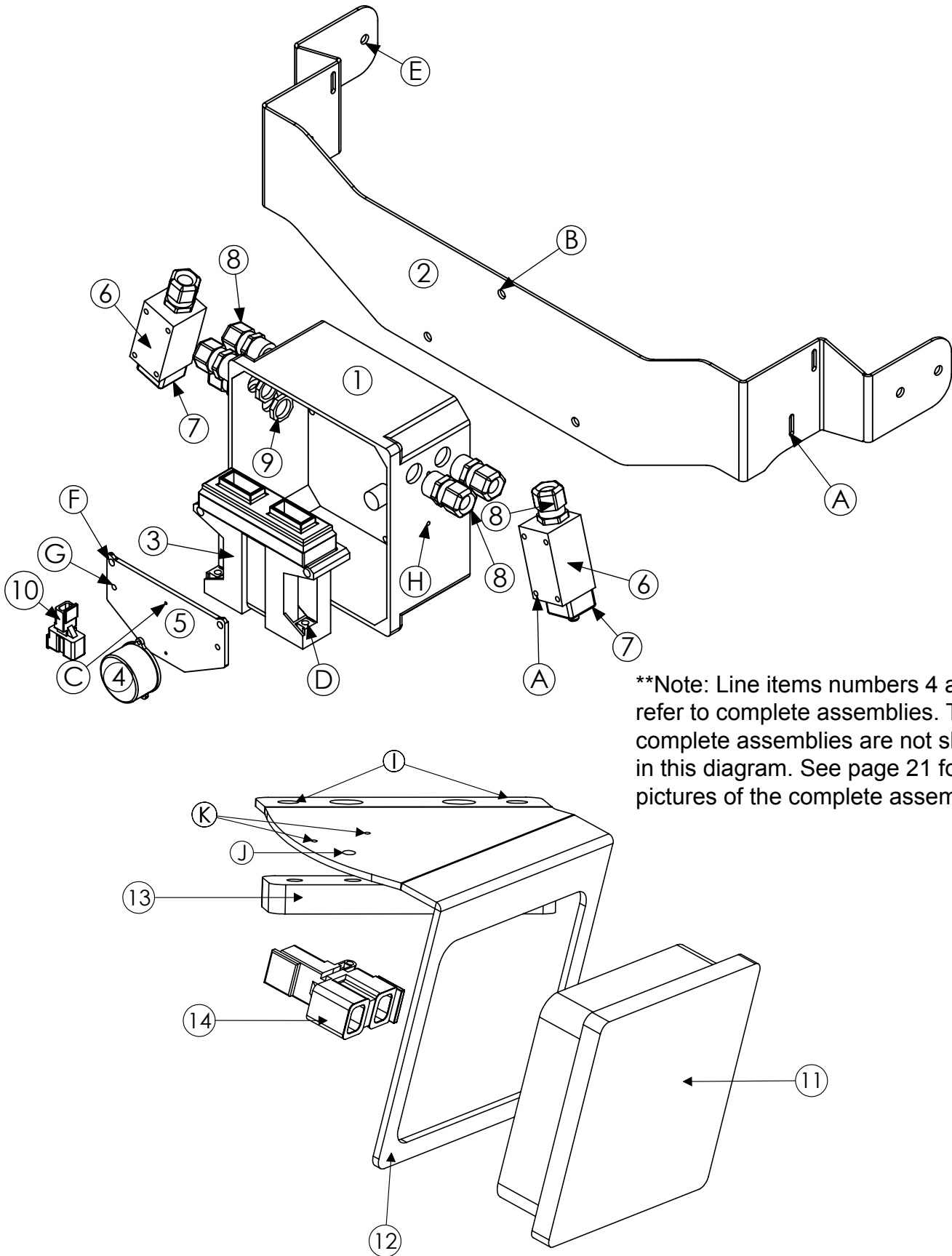




Model 2975H Hillco Leveling System  
For Serial Numbers 2975H-12001 thru 2975H-14999

<b>LADDER COMPONENTS</b>				
<b>REF.</b>	<b>PART NO.</b>	<b>QTY.</b>	<b>DESCRIPTION</b>	<b>NOTES</b>
1	LA-236563	1	LM STEP ASM, FOLDING LADDER LOWER	
2	LA-236542	1	LM PLT ASM, LFT SIDE FOLDING LADDER	
3	LA-236552	1	LM PLT ASM, RHT SIDE FOLDING LADDER	
4	LA-271911	1	LM ASM, UPPER ARM LEFT	
5	LA-271951	1	LM ASM, UPPER ARM RIGHT	
6	LA-271921	2	LM ASM, FOLDING LADDER LINK	
7	LA-238761	1	LM ASM, LADDER HANDLE	
8	MC-134921	2	GAS CHARGED LIFT SUPPORT	
9	LM-241271	4	LM FLT, LADDER SPACER	
10	LM-267981	8	LM BUSHING, LADDER PIVOT	
NS	MC-134931	2	LIFT SUPPORT BRACKETS (PAIR)	
<b>LADDER FASTENERS</b>				
<b>REF.</b>	<b>PART NO.</b>	<b>QTY.</b>	<b>DESCRIPTION</b>	<b>WHERE USED</b>
A	F-HC-12M050F	2	HC-8.8 M12 X 1.75 X 50 PLT	TOP SIDE PLATE PIVOT
A	F-HNS-12ME	2	HN-10.9 M12 X 1.75 STV PLT	PIVOTS
B	F-HC-12M030F	4	HC-8.8 M12 X 1.75 X 30 PLT	MIDDLE PIVOTS
B	F-HNS-12ME	4	HN-10.9 M12 X 1.75 STV PLT	PIVOTS
C	F-HC-12M065F	2	HC-8.8 M12 X 1.75 X 65 PLT	BOTTOM SIDE PLATE PIVOTS
C	F-HNS-12ME	2	HN-10.9 M12 X 1.75 STV PLT	PIVOTS
D	F-HCF-08M035F	8	HCF-8.8 M8 X 1.25 X 35 PLT	SIDE PLATE MOUNTS
D	F-HNF-08MF	8	FLHN 8.8 M8 X 1.25 PLT	SIDE PLATE MOUNTS
E	F-HNJ-05C	2	HN5 5/16-18 JAM NUT PLT	BALL STUD
E	F-LW-05	4	LW 5/16	BALL STUD
F	F-HC-08M025F	2	HC-8.8 M8 X 1.25 X 25 PLT	LADDER HANDLE
F	F-HNF-08MF	2	FLHN 8.8 M8 X 1.25 PLT	LADDER HANDLE

**LEVELING BOX AND MONITOR DISPLAY**



**\*\*Note:** Line items numbers 4 and 10 refer to complete assemblies. The complete assemblies are not shown in this diagram. See page 21 for pictures of the complete assemblies.

Model 2975H Hillco Leveling System  
For Serial Numbers 2975H-12001 thru 2975H-14999

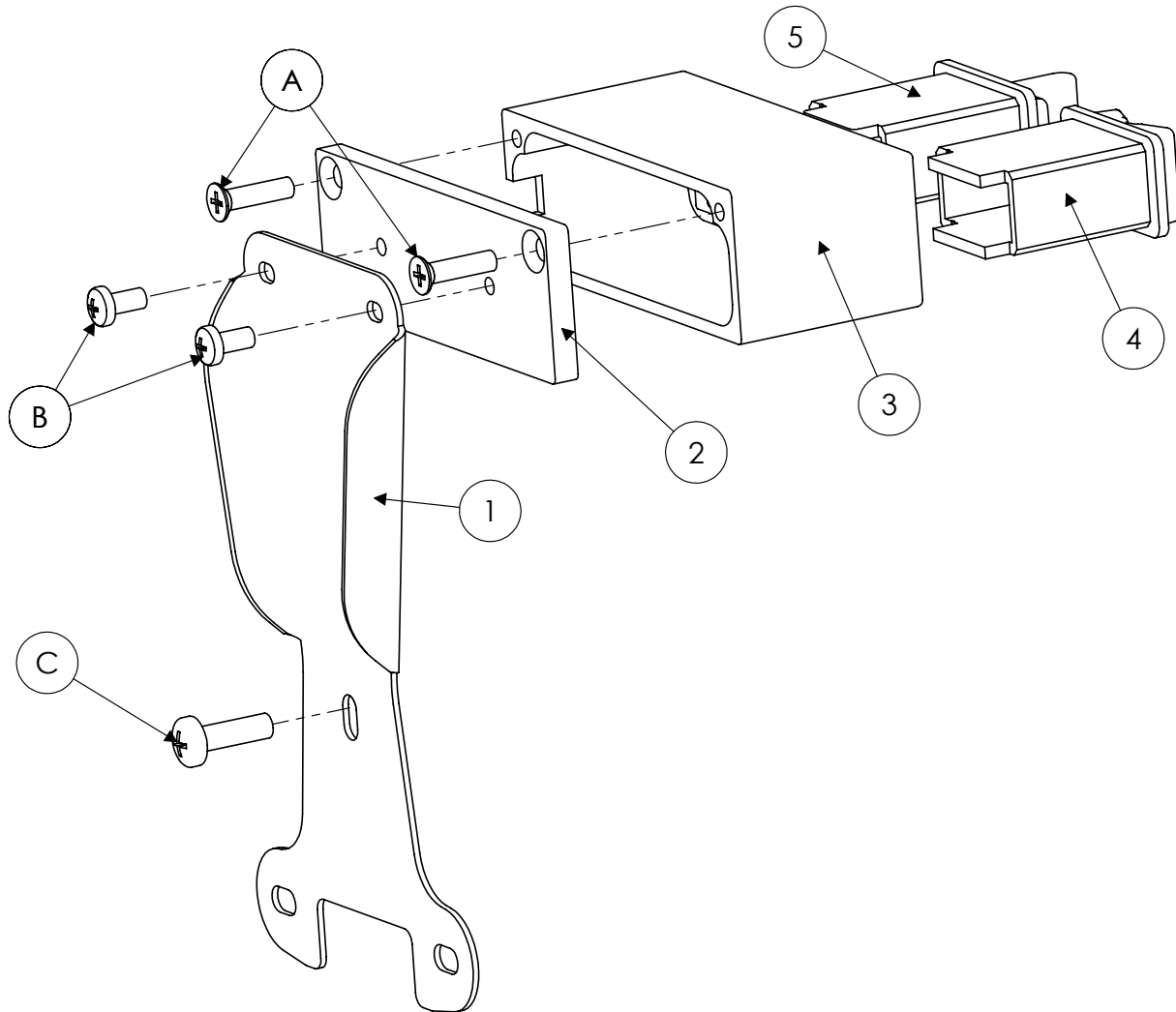
<b>LEVELING BOX</b>				
REF.	PART NO.	QTY.	PART NAME	NOTES
ASM	LA-265802	1	EM ASM, CONTROLLER	
1	LM-260301	1	EM BOX, CONTROLLER MOUNT	
2	LA-270322	1	EM MOUNT, CONTROL BOX	
3	LA-270093	1	CONTROLLER	
4	LA-261191	1	EM ASM, CLINOMETER	**SEE NOTE BELOW DIAGRAM
..	EC-141841	2	EM CLINOMETER	
5	LM-255331	1	EM SHT, CLINOMETER MOUNT	
6	EC-100557	2	BODY, LIMIT SWITCH	
7	EC-100692	2	HEAD, LIMIT SWITCH STR PLUNGER	
8	EC-138781	7	STRAIN RELIEF, NYLON, BLK, 1/2 NPT	
9	EC-142121	5	STRAIN RELIEF NUT, 1/2" NYLON, BLK	
10	LA-265831	1	EM WIRE ASM, Y-CONNECTOR	**SEE NOTE BELOW DIAGRAM
NS	MC-135791	2	CLAMP, HOSE 7/8" R/C W/ 3/8 HOLE	ROUTING UNDER CHASSIS
NS	EC-142201	1	TOOL, EXTRACTION DEUTSCH	

<b>LEVELING BOX FASTENERS</b>				
REF.	PART NO.	QTY.	PART NAME	WHERE USED
A	F-PHM-#10C28	4	PHMS 10-24 X 1-3/4	LIMIT SWITCH MNT
A	F-HNF-#10C	4	HN 10-24, FLNG SERR	LIMIT SWITCH MNT
B	F-HC5-04C12	3	HC5 1/4-20 X 3/4	PVC BOX TO BRACKET
B	F-LW-04	3	LW 1/4	PVC BOX TO BRACKET
C	F-PHM-#6C06	2	PHMS #6-32 X 3/8	CLINOMETER MOUNT TO PLATE
D	F-PHM-04C24	2	PHMS 1/4-20 X 1-1/2	CONTROLLER TO PVC BOX
D	F-HNF-04C	2	FLHN 1/4-20, SERR	CONTROLLER TO PVC BOX
E	F-HCF-10M030F	4	FLHC-8.8 M10 X 1.50 X 30 PLT	BOX MOUNT TO OVERCARRIAGE
E	F-PHM-04C36	2	PHMS 1/4-20 X 2-1/4	GROUNDING PLATE MOUNTING
E	F-HNF-04C	2	FLHN 1/4-20, SERR	GROUNDING PLATE MOUNTING
F	F-PHM-#10C20	2	PHMS 10-24 X 1-1/4	GROUNDING PLATE GROUND
F	F-HNF-#10C	2	HN5 10-24, FLNG, SERR	GROUNDING PLATE GROUND
F	F-HN-#10C	3	HN5 10-24	GROUNDING PLATE GROUND
G	F-PHM-#10C16	1	PHMS 10-24 X 1	Y-CONNECTOR TO GROUND
H	F-PHM-#6C08	2	PHMS #6-32 X 1/2	PLUG HOLES ON SIDE OF BOX
H	F-HNF-#6C	2	FLHN #6-32 SERR.	PLUG HOLES ON SIDE OF BOX
NS	F-HNF-10ME	6	MM FLHN-10.9 M10 X 1.50 PLT	ROUTING UNDER CHASSIS
NS	F-TCH-06M012E	1	SCREW, SELF-TAPPING, M6 X 1.00 X 12	3/8" HOSE CLAMP

<b>CAB CONTROL MONITOR</b>				
REF.	PART NO.	QTY.	PART NAME	NOTES
ASM	LA-266031	1	EM ASM, CAB CONTROL MONITOR	
11	LA-265782	1	GRAPHICAL TERMINAL, S-D DP200	MOUNTING BRACKET, GASKET AND SCREWS, INCLUDED
12	LM-265501	1	EM MOUNT, DISPLAY	
13	LM-265511	1	EM MOUNT, DISPLAY SPACER	
14	EC-146531	1	Y-CONNECTOR, BLACK	
NS	EC-142101	1	CLAMP, HOSE 3/8" R/C W/ 3/8 HOLE	ELECTRICAL CABLE SUPPORT IN CAB
NS	EC-146541	1	PLUG, GRAY W/120 OHM RESISTOR	

<b>CAB CONTROL MONITOR FASTENERS</b>				
REF.	PART NO.	QTY.	PART NAME	NOTES
I	F-HCF-08M016E	2	FLHC-10.9 M8 X 1.5 X 16	GRAPHICAL TERMINAL MOUNTING
I	F-TCH-06M025E	2	SCREW, SELF-TAPPING, M6 X 1.00 X 25	GRAPHICAL TERMINAL MOUNTING
I	F-TCH-06M035E	2	SCREW, SELF-TAPPING, M6 X 1.00 X 35	GRAPHICAL TERMINAL MOUNTING
J	F-PHM-#10C08	1	PHMS 10-24 X 1/2	Y-CONNECTOR MOUNTING
J	F-HN-#10C	1	HN5 10-24	Y-CONNECTOR MOUNTING
K	EC-142101	1	CLAMP, HOSE 3/8" R/C W/ 3/8 HOLE	ELECTRICAL CABLE SUPPORT IN CAB
NS	EC-138781	2	STRAIN RELIEF, NYLON, BLK, 1/2 NPT	MOUNTED IN CAB FLOOR
NS	EC-142121	2	STRAIN RELIEF NUT, 1/2" NYLON, BLK	MOUNTED IN CAB FLOOR
NS	F-FWH-12	4	FW 3/4 HARDENED PLT	MOUNTED IN CAB FLOOR

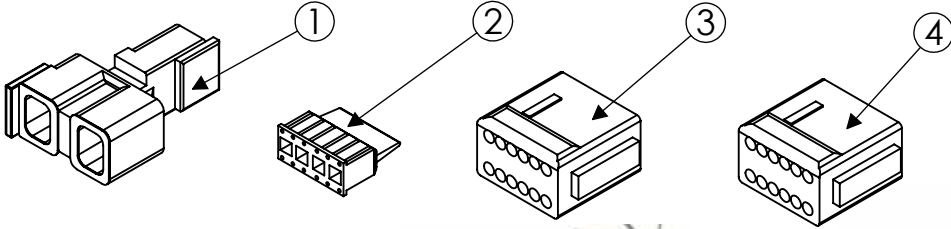
### REMOTE SWITCHES



REMOTE SWITCH COMPONENTS				
REF.	PART NO.	QTY.	PART NAME	NOTES
NS	LA-286391	1	EM ASM, REMOTE SWITCH BOX	
1	LP-286261	1	EM SHT, SWITCH MNT	
2	LS-286381	1	EM COVER, REMOTE SWITCH	
3	LS-286371	1	EM BOX, REMOTE SWITCH	
4	EC-150121	1	SWITCH, DPDT, ON-NONE-ON, W/ BLACK ROCKER	
5	EC-150031	1	SWITCH, DPDT, (ON)-OFF-(ON), W/ PADDLE ACTUATOR	

REMOTE SWITCH FASTENERS				
REF.	PART NO.	QTY.	PART NAME	WHERE USED
A	F-FHM-05M020F	2	FHMS M5 X 0.8 X 20	SECURES BOX COVER PLATE TO BOX
B	F-PHM-05M010F	2	PHMS M5 X 0.8 X 10	SECURES BOX TO MOUNTING PLATE
C	F-PHM-06M020F	1	PHMS M6 X 1.00 X 20	REPLACES TOP MONITOR MOUNTING BOLT
NS	EC-100017	1	WIRE TIE, 3/32 X 8	SECURE SWITCH CABLE
NS	MC-147781	2	CLAMP, 1/4" DOUBLE LOOP W/ 3/8 HOLE	SUPPORT SWITCH CABLE IN TOP OF CAB
NS	EC-100014	1.5"	HEAT SHINK, BLACK, 1/8	AT MONITOR WHERE RED WIRES CONNECT

**ELECTRICAL CONNECTORS & CABLES**



#5 LA-268261  
EM CABLE ASM. LIMIT SWITCH

#6 LA-255821  
EM ASM, CLINOMETER

#7 LA-272071  
EM ASM, CLINOMETER F/A



#8 LA-255645  
EM ASM, BOX TO VALVE



#9 LA-265772  
EM CABLE ASM,  
POWER & GROUND



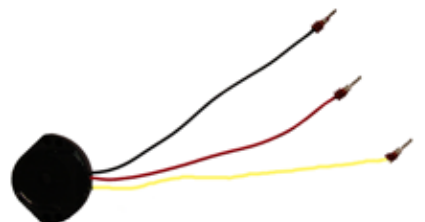
#10 LA-286401 EM CABLE ASM,  
REMOTE SWITCH



#11 LA-265831  
EM WIRE ASM,  
Y-CONNECTOR



#12 LA-265581  
EM CABLE ASM,  
CAB TO BOX



#13 LA-267621  
EM ASM, TILT  
SENSOR PATCH



#14 LA-263591  
EM CABLE ASM,  
LEVELING MANIFOLD



#15 LA-260242  
EM CABLE ASM,  
TRIM SIGNAL



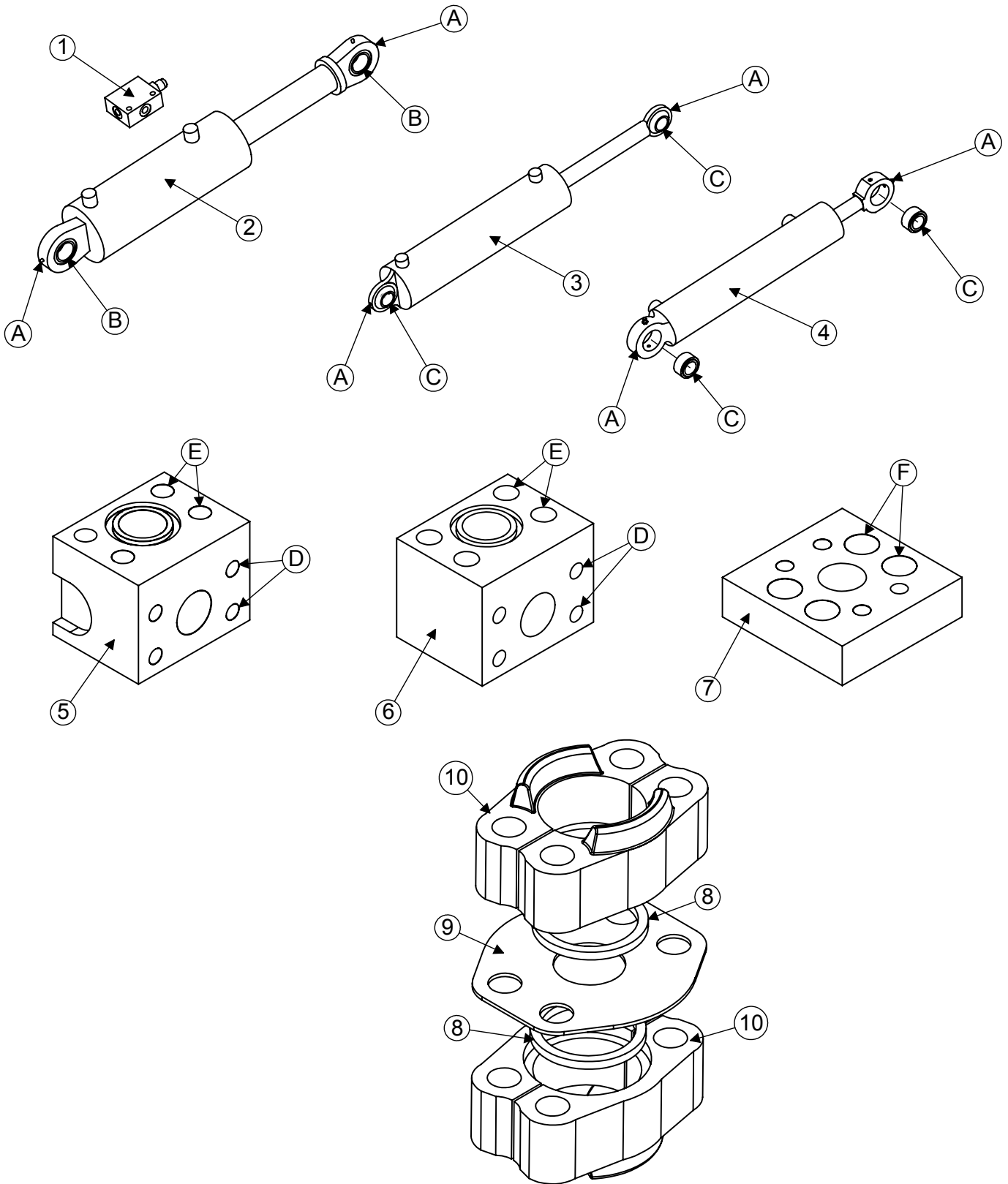
#16 LA-260222  
EM CABLE ASM, TRIM SIGNAL

Model 2975H Hillco Leveling System  
For Serial Numbers 2975H-12001 thru 2975H-14999

<b>ELECTRICAL CONNECTORS</b>				
<b>REF.</b>	<b>PART NO.</b>	<b>QTY.</b>	<b>DESCRIPTION</b>	<b>NOTES</b>
1	EC-146531	2	Y-CONNECTOR, BLACK	
2	EC-141741	4	DTM SERIES, 12-SOCKET WEDGE	
3	EC-141751	3	DTM SERIES, 12-SOCKET PLUG W/ A KEY	
4	EC-141761	1	DTM SERIES, 12-SOCKET PLUG W/ B KEY	
NS	EC-133281	2	DIODE, 6 AMP, 50 PIV, SILICON	
NS	EC-136941	5	CONNECTOR, PARALLEL, 16-14 GA.	
NS	EC-141771	23	DTM SERIES, SOCKET, CONTACT, STAMPED	
NS	EC-145671	10	DTM SERIES, PLUG, SEALING	
NS	EC-146501	1	CONNECTOR, STANDARD POWER STRIP	
NS	EC-146511	4	PLUG, GRAY, 2-SOCKET	
NS	EC-146521	4	WEDGE, BLACK, 2-SOCKET W/ B KEY	
NS	EC-146541	1	PLUG, GRAY, W/120 OHM RESISTOR	
NS	EC-146581	16	DTM SERIES, SOCKET CONTACT, SOLID	
NS	ET-ST-20#10	8	TERMINAL RING, #10, 20 GA., NON-INSULATED	
NS	ET-ST-2001	1	TERMINAL RING, 1/4, 20 GA., NON-INSULATED	

<b>ELECTRICAL CABLES</b>				
<b>REF.</b>	<b>PART NO.</b>	<b>QTY.</b>	<b>DESCRIPTION</b>	<b>NOTES</b>
5	LA-268261	2	EM CABLE ASM, LIMIT SWITCH	
6	LA-255821	1	EM CABLE ASM, CLINOMETER	
7	LA-272071	1	EM ASM, CLINOMETER F/A	
8	LA-255645	1	EM CABLE ASM, BOX TO VALVE	
9	LA-265772	1	EM CABLE ASM, POWER & GROUND	
10	LA-286401	1	EM CABLE ASM, REMOTE SWITCH	
11	LA-265831	1	EM WIRE ASM, Y-CONNECTOR	
12	LA-265581	1	EM CABLE ASM, CAB TO BOX	
13	LA-267621	1	EM ASM, TILT SENSOR PATCH	
14	LA-263591	1	EM CABLE ASM, LEVELING MANIFOLD	
15	LA-260242	1	EM CABLE ASM, TRIM SIGNAL	
16	LA-260222	1	EM CABLE ASM, TRIM SIGNAL	

**HYDRAULICS COMPONENTS**

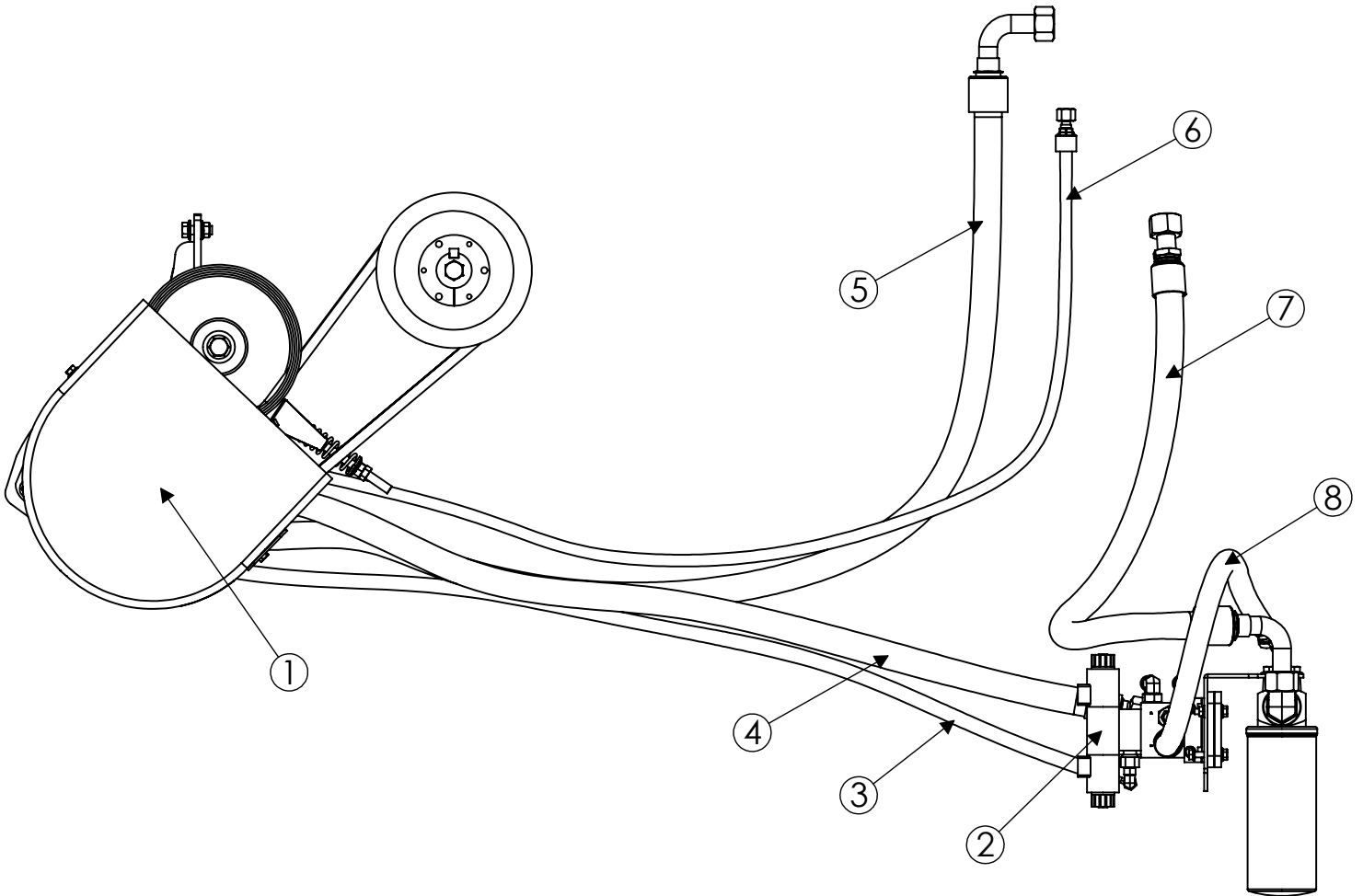


Model 2975H Hillco Leveling System  
For Serial Numbers 2975H-12001 thru 2975H-14999

<b>HYDRAULIC COMPONENTS</b>				
<b>REF.</b>	<b>PART NO.</b>	<b>QTY.</b>	<b>PART NAME</b>	<b>NOTES</b>
1	HC-138901	2	VALVE, COUNTER BALANCE	
..	HC-139161	2	CARTRIDGE, COUNTERBALANCE VALVE	
..	HC-139171	2	BODY, COUNTERBALANCE VALVE	
NS	HC-140361	2	SEAL KIT, COUNTERBALANCE VALVE	
2	HC-147511	2	CYLINDER, MAIN LEVELING	
NS	HC-142451	2	SEAL KIT, MAIN LEVELING CYLINDER	
3	HC-140341	1	CYLINDER, MASTER	
NS	HC-134201	1	SEAL KIT, MASTER CYLINDER	
4	HC-138581	1	CYLINDER, SLAVE	
NS	HC-141281	1	SEAL KIT, SLAVE CYLINDER	
<b>FOR STANDARD TRANSMISSIONS</b>				
5	LM-261081	1	HM BLOCK, CODE 62 90°	FOR ALL 50SERIES, 60 SERIES, 70 SERIES ( -735100)
5	LM-261082	1	HM BLOCK, CODE 62 90°	FOR 70 SERIES (735101- )
6	HC-143361	1	CODE 62/CODE 62 ELBOW	MOUNTS TO BOTTOM PORT ON HYDRO MOTOR
7	HC-143371	1	CODE 62 90° ROTATIONAL ADAPTER	FOR ALL 50SERIES, 60 SERIES, 70 SERIES ( -735100)
7	HC-143372	1	CODE 62 90° ROTATIONAL ADAPTER	FOR 70 SERIES (735101- )
8	HC-147551	8	O-RING, CODE 62 CONNECTOR	
<b>HYDRAULIC FASTENERS</b>				
A	F-SSS-04F04	8	SET SCREW, 1/4-28 X 1/4	ALL CYLINDERS
B	MC-150881	4	1 3/8" BEARING, SEALED SPHERICAL	
C	MC-150871	4	1" BEARING, SEALED SPHERICAL	
D	F-HC8-07C24	8	HC8 7/16-14 X 1-1/2	CODE 62 SPLT FLANGE
E	F-HC8-07C52	8	HC8 7/16-14 X 3-1/4	THESE FASTENERS COME WITH ELBOWS
F	F-LWH-07	8	LW 7/16 HD	THESE FASTENERS COME WITH ELBOWS
D	F-SHC-07C20	4	SHCS 7/16-14 X 1-1/4	THESE FASTENERS COME WITH ROTATIONAL ADAPTER
D	F-LWHC-07	4	LW 7/16 HD HIGH COLLAR	THESE FASTENERS COME WITH ROTATIONAL ADAPTER
<b>CYLINDER SAFETY STOP KIT</b>				
ASM	LA-289631	1	CM KIT, MECHANICAL CYLINDER STOP	
NS	MC-137251	4	COLLAR, 2-PIECE CLAMPING W/ 2" BORE	
NS	MC-137501	8	WASHER, QUICK REPAIR 2"	
<b>CODE 62 SPLIT FLANGE CONNECTOR KIT ASSEMBLY AND FASTENERS</b>				
ASM	HC-101843	2	CODE 62 SLT FLNG CONNECTOR KIT WITH O-RINGS	FWD AND REVERSE PROPULSION HOSES
<b>ONE HC-101843 KIT INCLUDES:</b>				
8	HC-147551	3	O-RING, CODE 62 CONNECTOR, 1"	
9	HC-148291	2	PLATE, CODE 62	
10	LM-277131	2	CODE 62, #16 SPLIT FLANGE KIT (PAIR)	
NS	F-HC8-07C44	4	HC8 7/16 X 2-3/4	
NS	F-HN8-07C	4	HN8 7/16-14	
<b>FOR PRO-DRIVE TRANSMISSION</b>				
NS	LM-272092	2	CODE 62 90° ROTATIONAL ADAPTER 1-1/4	FLT 1018 CD 1 -1/4 X 4
NS	LM-273011	8	HM FLANGE, CODE 62, #20	HYDRO HOSE EXTENSIONS
NS	HC-147621	8	O-RING, CODE 62, 1-1/4"	HYDRO HOSE EXTENSIONS
NS	LM-272161	2	HM PLT, CODE 62 1-1/4 UNION	
NS	LM-272082	2	HM BLOCK, CODE 62 90° 1-1/4	
NS	F-LW-09	8	LW 9/16 HD	ELBOW TO ROTATIONAL ADAPTER
NS	F-LWHC-09	8	LW 9/16 HD HIGH COLLAR	ROTATIONAL ADAPTER
NS	F-HC-14M045E	8	HC 10.9 M14 X 2.0 X 45 PLT	CODE 62 SPLT FLANGE TO ELBOW
NS	F-HC-14M090E	8	HC-10.9 M14 X 2.0 X 090	ELBOW TO ROTATIONAL ADAPTER
NS	F-SHC-14M030D	8	SHCS-12.9 M14X2.0 X30	ROTATIONAL ADAPTER
NS	F-HC-14M090E	8	HC-10.9 M14 X 2.0 X 090	CODE 62 UNION
NS	F-HNS-14ME	8	HN-10.9 M14 X 2.0 STOVER	CODE 62 UNION
NS	LA-263452	1	HM ASM, PFC PUMP/IDLER & STAND	

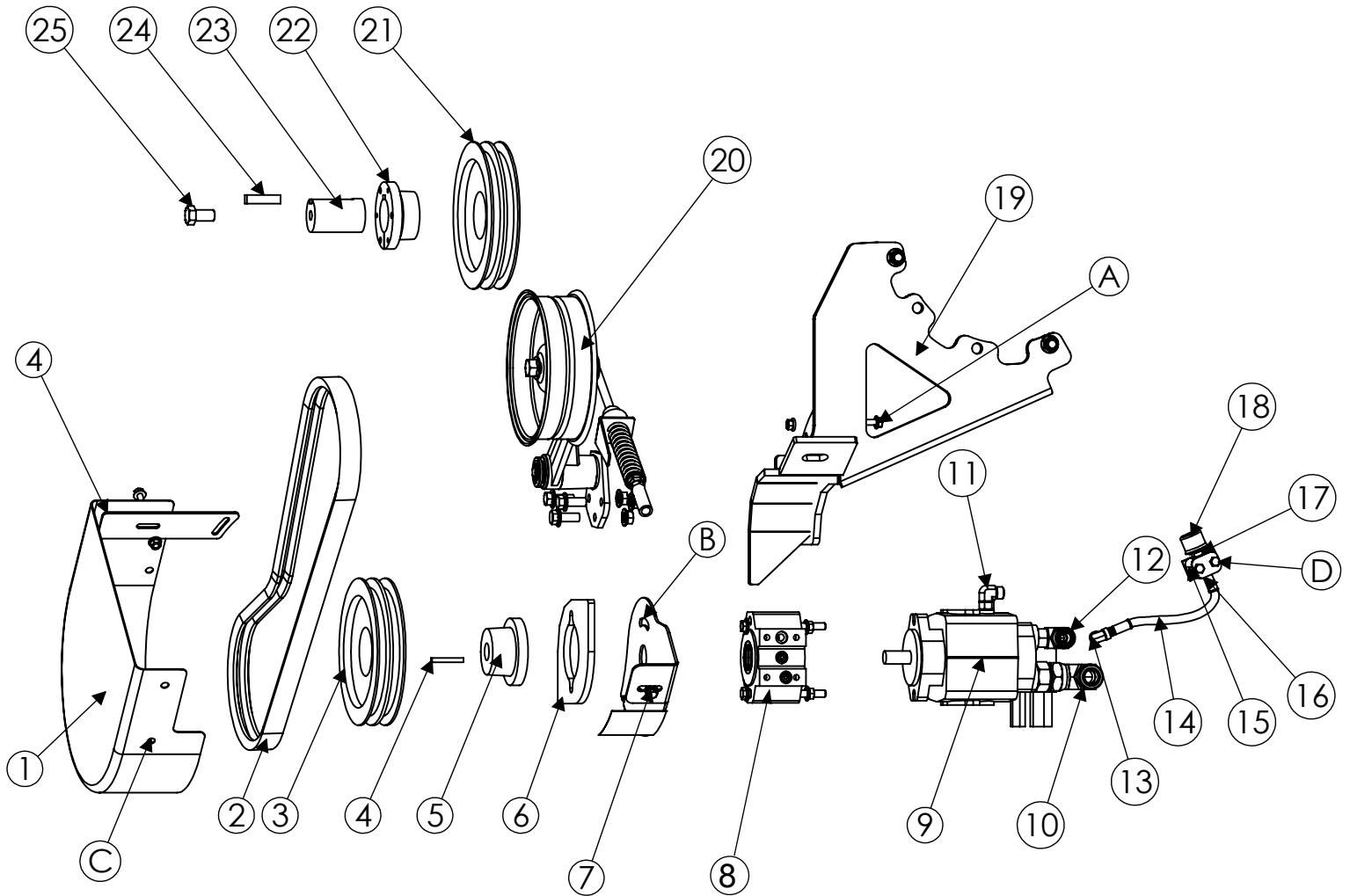


**PFC PUMP AND LEVELING MANIFOLD ASSEMBLY**



PFC PUMP OPTION COMPONENTS				
REF.	PART NO.	QTY.	PART NAME	NOTES
1	LA-263452	1	PFC PUMP ASSEMBLY	SEE PAGE 26
2	LA-263701	1	LEVELING MANIFOLD AND FILTER ASSEMBLY	SEE PAGE 29
3	LA-145721	1	1/4" 100R2 HOSE 63 IN #4 FORS X #4 FORS 90°	LOAD SENSE LINE
4	LA-145732	1	3/4" 100R2 HOSE 70 IN #12 FORS X #12 FORS	PRESSURE FROM PUMP TO MANIFOLD
5	LA-145741	1	1" 100R16 (1M2T) HOSE 62 IN #16 FORS X #16 FORS 90°	PUMP SUCTION
6	LA-134872	1	3/8" 100R2 HOSE 72 IN #6 FORS X #6 FORS 90°	PUMP CASE DRAIN TO RESERVOIR
7	LA-263571	1	1" 100R1 HOSE 36" #16 FORS X #16 FORS 90°	FILTER HOUSING OUTLET TO RESERVOIR
8	LA-263562	1	3/4" 100R2 HOSE 30" #12 FORS X #12 FORS 45°	MANIFOLD "T" PORT TO FILTER HOUSING INLET

**PFC PUMP ASSEMBLY**

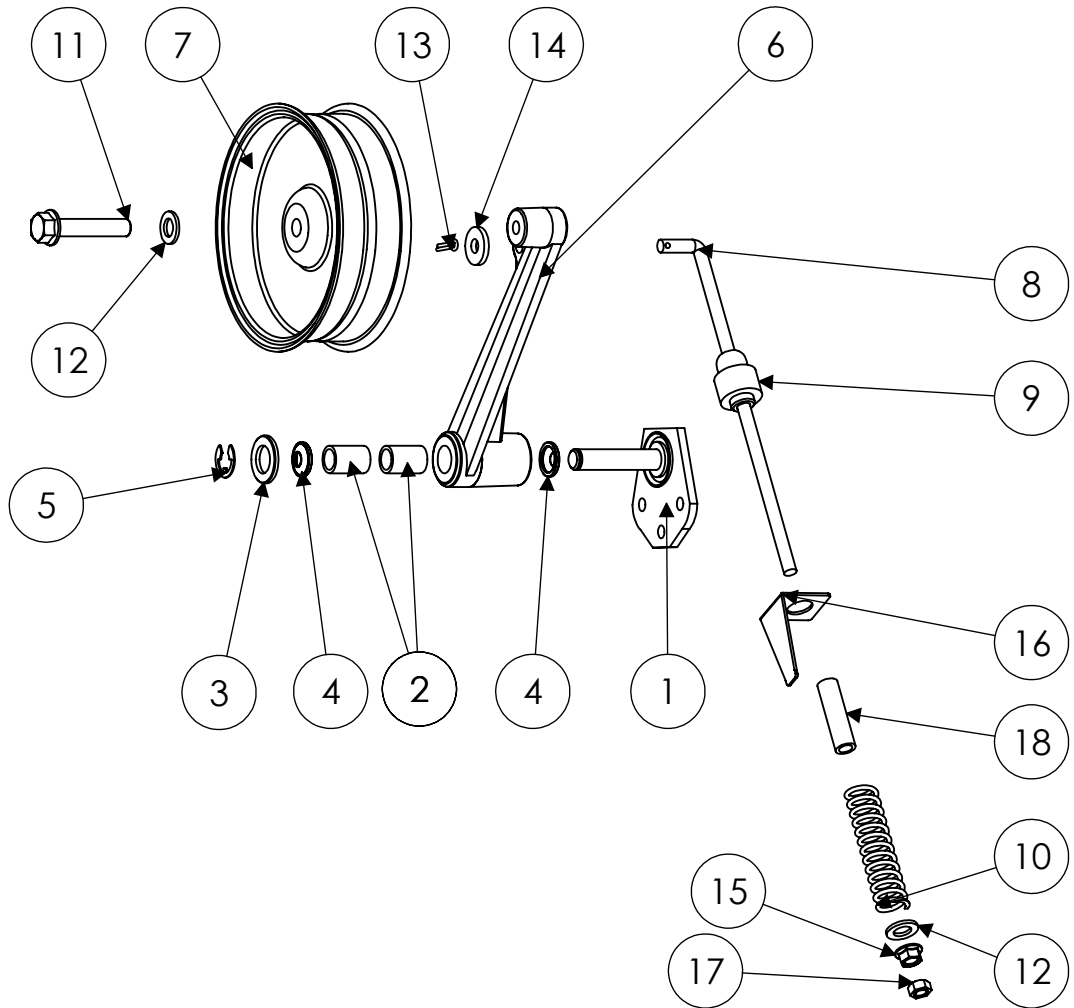


Model 2975H Hillco Leveling System  
For Serial Numbers 2975H-12001 thru 2975H-14999

<b>PFC PUMP OPTION COMPONENTS</b>				
<b>REF.</b>	<b>PART NO.</b>	<b>QTY.</b>	<b>PART NAME</b>	<b>NOTES</b>
ASM	LA-263452	1	HM ASM, PFC PUMP/IDLER	
1	MC-145851	1	CAP-CHOPPER COUNTERSHAFT	
2	MC-145781	2	DRIVE BELT	GATES 5VX750
3	LA-289261	1	HA ASM, DRIVEN SHIEVE	8.5" 2 GROOVE 5VX SHIEVE
4	F-KST-04X04X30	1	KEY, STR, 1/4" X 1-7/8	
5	MC-103071	1	DRIVEN SHIEVE HUB	
6	LP-263381	1	HM MOUNT, PFC PUMP	
7	LP-264082	1	HM PLT, MOUNT CAP	
8	HC-141531X	1	ADAPTER, OVER-HUNG LOAD (300 SERIES)	HM ASM, PFC PUMP
NS	LA-297731	-	OVER HUNG LOAD ADAPTER REBUILD KIT	
9	HC-133151	1	PUMP, HYDRAULIC PFC-116	HM ASM, PFC PUMP
10	HA-L-16FF16MF	1	#16 MORS X #16 FORS 90 DEGREE	
11	HA-L-6MF6MO	1	#6 MORB X #6 MORS 90°	
12	HA-S-12MO16MF	1	#12 MORB X #16 MORS STR.	
13	HA-L-4MO2FT	1	ADAPTER, ELBOW, 90°	
14	LA-133332	1	HOSE, SAE 30R7 FUEL LINE 3/16" 14" (NO ENDS)	
15	HC-145881	1	BEHRINGER STD CLAMP (.500 DIA)	
16	HC-145891	1	BEHRINGER STD COVER PLATE	
17	HA-U-2FP2FP	1	ADAPTER, UNION, STEEL	
18	HC-143251	1	METAL FILTER BREATHER, 10 MICRON	
19	LA-263432	1	HM ASM, MOUNT (PFC PUMP)	
20	LA-263371	1	IDLER ASM	SEE PAGE 28 FOR DETAILED VIEW
21	MC-103069	1	8.5" 2 GROOVE 5VX SHIEVE	
22	MC-103114	1	HUB, SK-1-15/16	
23	LM-263631	1	HM SHAFT, DRIVER (PFC PUMP)	RND STPRF G&P 1-15/16
24	LS-263861	1	HM KEY, PUMP DRIVE HUB	SQ 1018 CD 1/2 X 1/2
25	F-HC-16M030E	1	HC 10.9 M16 X 2 X 30	FASTENS DRIVE HUB

<b>PFC PUMP OPTION FASTENERS</b>				
<b>REF.</b>	<b>PART NO.</b>	<b>QTY.</b>	<b>PART NAME</b>	<b>WHERE USED</b>
A	F-HCF-12M030E	3	FLHC 10.9 M12 X 1.5 X 30	IDLER ARM ASM TO BRACKET
A	F-HNF-12ME	3	FLHN 10.9 M12 X 1.75	IDLER ARM ASM TO BRACKET
B	F-HCF-10M120E	2	FLHC 10.9 M10 X 1.50 X 120	PUMP/OHLA TO BRACKET
B	F-HNF-10ME	2	FLHN 10.9 M10 X 1.5	PUMP/OHLA TO BRACKET
C	F-HCF-08M020E	3	FLHC 10.9 M8 X 1.25 X 20	CAP TO MOUNTING BRACKET
C	F-HNF-08ME	3	FLHN 10.9 M8 X 1.25	CAP TO MOUNTING BRACKET
D	F-HC5-04C24	2	HC5 1/4-20 X 1-1/2	BEHRINGER CLAMP FOR OHLA BREATHER HOSE

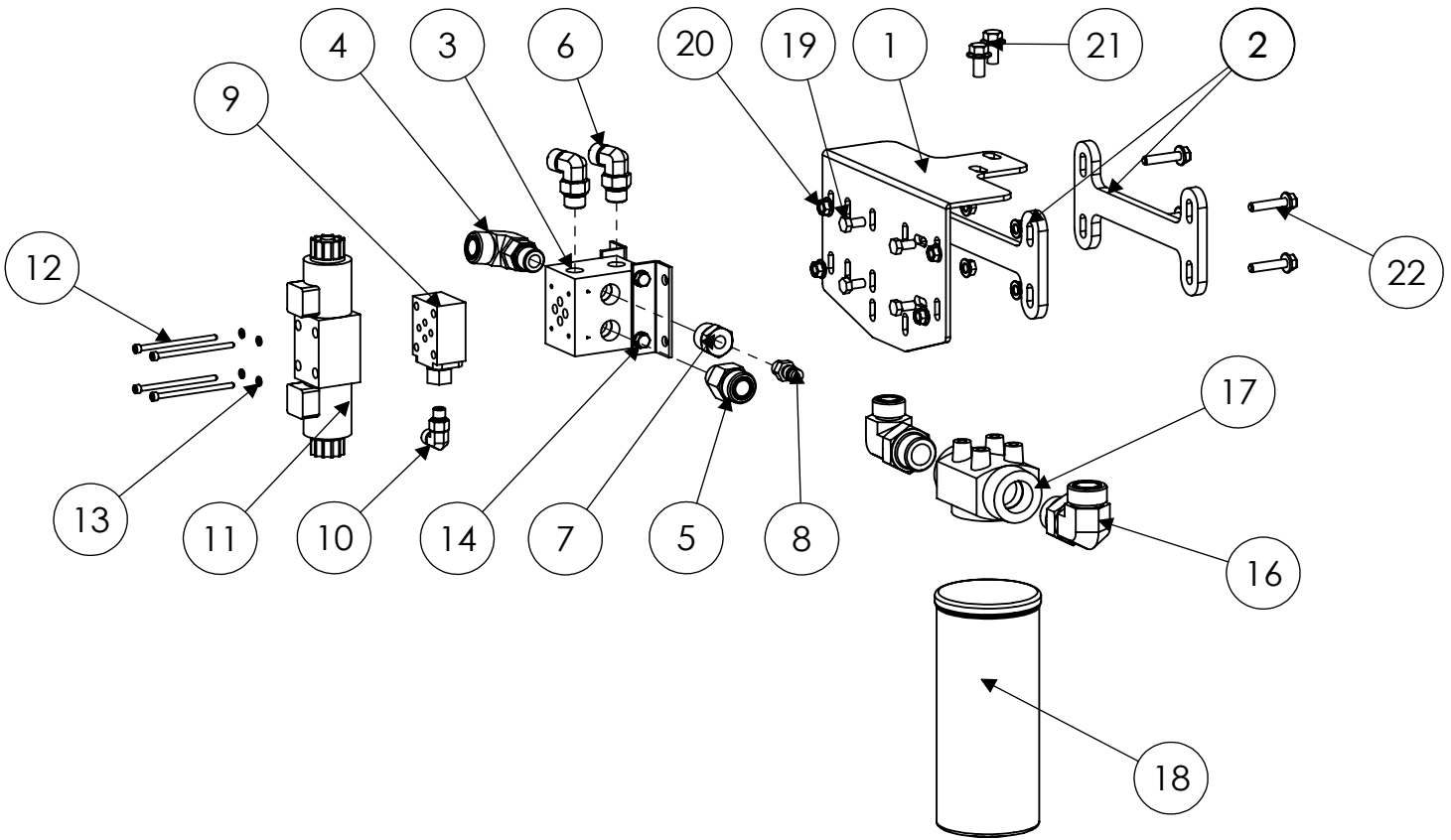
**PFC PUMP IDLER ASSEMBLY**



REF.	PART NO.	QTY.	PART NAME
1	MC-145531	1	PIN, PIVOT ASM
2	MC-145541	2	BUSHING (H171061)
3	MC-145551	1	WASHER, METALLIC, ROUND HOLE (24M7091)
4	MC-145561	2	SEAL (AA5607R)
5	F-SRE-14E	1	E-STYLE RETAINING RING 7/8 SHAFT
6	MC-145521	1	ARM (AH202772)
7	MC-145571	1	IDLER (AH204389)
8	MC-145581	1	HOOK BOLT (H118948)
9	MC-145591	1	PIVOT (H170141)

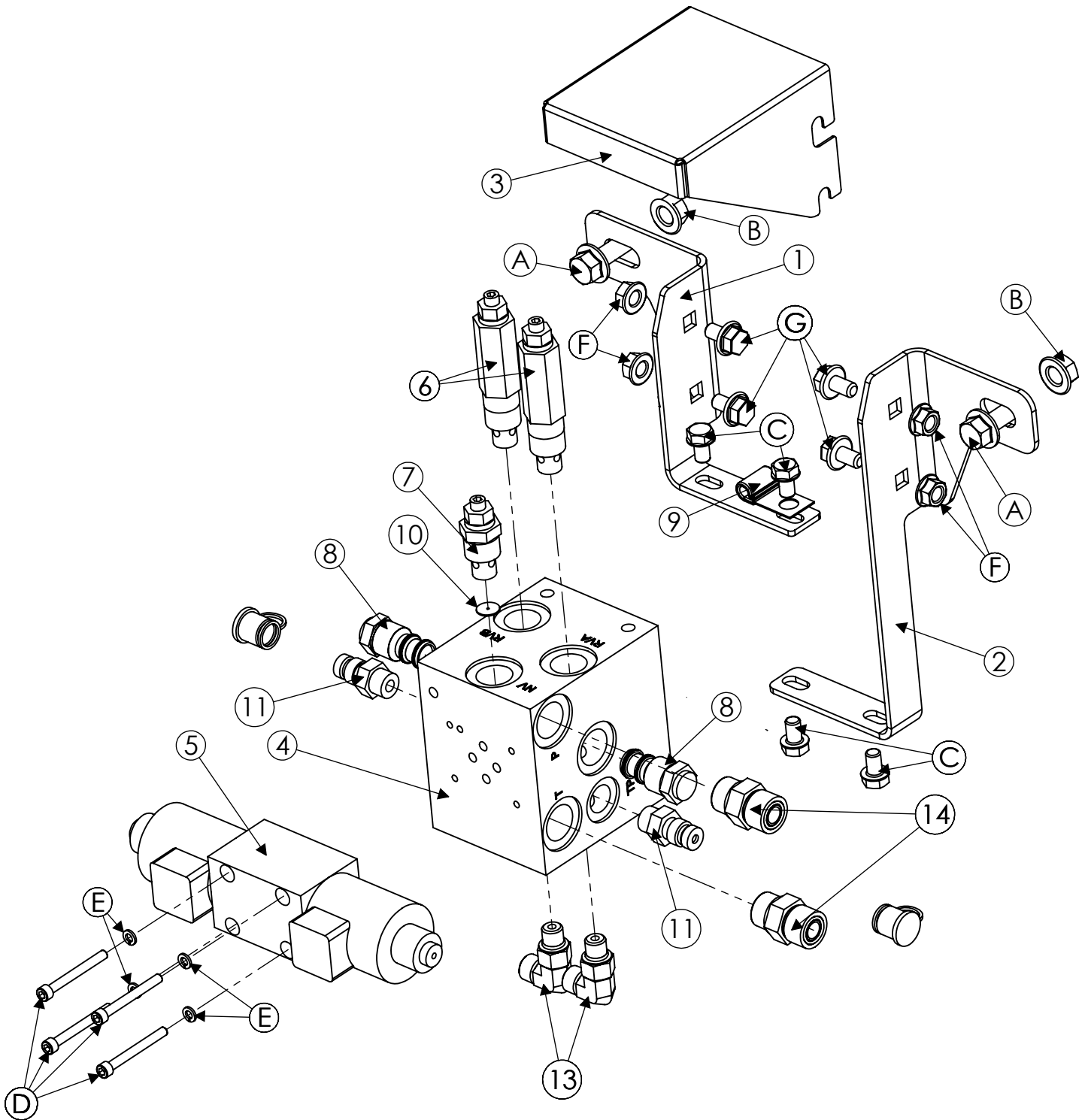
Model 2975H Hillco Leveling System  
 For Serial Numbers 2975H-12001 thru 2975H-14999

**PFC LEVELING MANIFOLD**



REF.	PART NO.	QTY.	DESCRIPTION
1	LP-263312	1	MOUNT, MANIFOLD
2	LP-263321	2	PLATE, BACKING
3	HC-138861	1	DO3 Parallel MANIFOLD (1 Station)
4	HA-L-12MF10MO	1	#10 MORB X #12 MORS 90°
5	HA-S-12MF10MO	1	#10 MORB X #12 MORS STRAIGHT
6	HA-L-8MF8MO	2	#8 MORS X #8 MORB 90°
7	HA-S-6FO10MO	1	#6 FORB X #10 MORB STRAIGHT
8	HC-143991	1	COUPLER, QUICK-CONNECT HYD
9	HC-101264	1	LOAD SENSE SHUTTLE
10	HA-L-4MF4MO	1	#4 MORB X #4 MORS 90°
11	HC-140411	1	VALVE, PRO DIRECTIONAL, D03
12	F-SHC-#10C-52	4	SOCKET HEAD CAP SCREW, COURSE, #10 X 52
13	F-LW-#10	4	WASHER, LOCK, SPLIT RING, #10
14	F-HCF-05C08	4	SCREW, FLANGED HEX CAP, GR5, COURSE, 5/16 X 1/2
15	HA-L-16MO12MF	1	#16 MORB X #16 MORS 90°
16	HA-L-16MF16MO	1	#16 MORS X #16 MORB 90°
17	FILTERHEAD	1	JOHN DEERE PART NO. AH227847
18	FILTER	1	JOHN DEERE PART NO. AH128449
19	F-HC-8M016F	4	HEX CAP SCREW, METRIC, 8MM X 16MM
20	F-HNF-08ME	8	NUT, FLANGED HEX, 8 MM
21	F-HCF-10M020E	2	SCREW, FLANGED HEX CAP, 10MM X 20MM
22	F-HCF-08M040E	4	SCREW, FLANGED HEX CAP, 8MM X 40MM

### HEADER TRIM MANIFOLD



Model 2975H Hillco Leveling System  
For Serial Numbers 2975H-12001 thru 2975H-14999

<b>TRIM MANIFOLD COMPONENTS</b>				
<b>REF.</b>	<b>PART NO.</b>	<b>QTY.</b>	<b>PART NAME</b>	<b>NOTES</b>
<b>ASM</b>	<b>LA-263723</b>	<b>1</b>	<b>MANIFOLD ASM, TRIM</b>	
1	LP-273881	1	HM PLT, MANIFOLD MOUNT (LEFT)	
2	LP-273871	1	HM PLT, MANIFOLD MOUNT (RIGHT)	
3	LM-286231	1	HM SHTM MANFOLD SHIELD	
4	HC-145441	1	MANIFOLD, CUSTOM TRIM	
5	HC-143011	1	VALVE, DIRECTIONAL CONTROL, BANG/BANG	
6	HC-145431	2	RELIEF, POPPET DIRECT ACTING	SET AT 1900 +/- 100PSI
7	HC-145501	1	VALVE, NEEDLE	
8	HC-145511	2	PILOT OPERATED CHECK	
9	HC-146661	1	CLAMP, COATED J	JD# T32231
10	LM-265561	1	ORIFICE, NEEDLE VALVE	
11	HC-143991	2	HYDRAULIC QUICK-CONNECT COUPLER AH125760	
12	HC-144001	2	COVER, DUST	JD# 77175
13	HA-L-4MF4MO	2	#4 MORB X #4 MORS 90°	"A" AND "B" PORTS
14	HA-S-8MF8MO	2	#8 MORB X #8 MORS STRIAGHT	"P" AND "T" PORTS
<b>TRIM MANIFOLD FASTENERS</b>				
<b>REF.</b>	<b>PART NO.</b>	<b>QTY.</b>	<b>PART NAME</b>	<b>WHERE USED</b>
A	F-HCF-10M030E	2	FLHC 10.9 M10 X 1.50 X 30 PLT	TRIM MANIFOLD MOUNT
B	F-HNF-10ME	2	FLHN-10.9 M10 X 1.50 PLT	TRIM MANIFOLD MOUNT
C	F-HCF-05C08	4	FLHC 5/16-18 X1/2	MANIFOLD TO MANIFOLD MOUNT
D	F-SHC-#10C28	4	SHCS 10-24 X 1-3/4	DIRECTIONAL CONTROL TO MANIFOLD
E	F-LW-#10	4	LW #10	DIRECTIONAL CONTROL TO MANIFOLD
F	F-HNF-08ME	4	NUT, FLANGED HEX, METRIC	SHIELD
G	F-HCF-08M016E	4	FLHC-10.9 M8 X 1.5 X 16	SHIELD

Model 2975H Hillco Leveling System  
For Serial Numbers 2975H-12001 thru 2975H-14999

### HYDRAULIC HOSES

REF.	PART NO.	QTY.	DESCRIPTION	NOTES
<b>LEVELING HOSES</b>				
NS	LA-272762	1	3/8" 100R2 49" #6 FORS X #8 FORS 90°	LEFT PILOT OPERATED CHECK VALVE #3 TO RIGHT PILOT OPERATED CHECK VALVE #2
NS	LA-271862	1	1/2" 100R2 53.5" #8 FORS X #8 FORS 90°	RIGHT PILOT OPERATED CHECK VALVE #2 TO LEFT MAIN CYLINDER ROD
NS	LA-271882	1	1/2" 100R2 55" #8 FORS X #8 FORS 90°	LEFT PILOT OPERATED CHECK VALVE #2 TO RIGHT MAIN CYLINDER ROD
NS	LA-272751	1	3/8" 100R2 HOSE 21" #6 FORS X #8 FORS	RIGHT PILOT OPERATED CHECK VALVE #3 TO RIGHT MAIN CYLINDER ROD
NS	LA-272571	1	1/2" 100R2 252" #8 FORS 90° X #8 FORS	LEVELING VALVE PORT "A" TO LEFT MAIN LEVELING ROD
NS	LA-272571	1	1/2" 100R2 252" #8 FORS X #8 FORS 90°	LEVELING VALVE PORT "B" TO LEFT MAIN LEVELING CYLINDER PILOT OPERATED CHECK VALVE #2
<b>TRIM HOSES</b>				
NS	LA-139141	2	1/4" 100R2 110-1/2" #4 FORS X #4 FORS	BASE PORT OF MASTER CYLINDER MARKED "B" & ROD PORT OF MASTER CYLINDER MARKED "R"
NS	LA-139113	2	1/4" 100R2 54" #4 FORS X #4 FORS	MANIFOLD "B" PORT TO BASE PORT & MANIFOLD "A" PORT TO ROD PORT
NS	LA-139532	1	1/4" 100R2 260" #4 FORS X #6 FORS	SLAVE BASE TO TEE MARKED "B"
NS	LA-139542	1	1/4" 100R2 273" #4 FORS X #6 FORS	SLAVE ROD TO TEE MARKED "R"
<b>GREASE HOSES</b>				
NS	LA-138951	1	3/16 R1 40" 1/8 MPT X 1/8 MPT	RIGHT HAND MAIN LEVELING CYLINDER TO BULKHEAD #1
NS	LA-138963	1	3/16 R1 54" 1/8 MPT X 1/8 MPT	MAIN PIVOT TO BULKHEAD #3
NS	LA-138942	1	3/16 R1 33-1/2" 1/8 MPT X 1/8 MPT	MASTER BASE TO BULKHEAD #4
NS	LA-138974	2	3/16 R1 77" 1/8 MPT X 1/8 MPT	LEFT HAND MAIN LEVELING CYLINDER BASE TO BHEAD #2 & MASTER CYLINDER ROD END
<b>HYDRO HOSES</b>				
NS	LA-273301	1	1 100R15 89" CODE 62 SPLT FLNG 90° SHORT DROP X CODE 62 SPLT FLNG STR	HYDROSTAT FRONT HOSE
NS	LA-140383	1	1 100R15 79" CODE 62 SPLT FLNG 90° SHORT DROP X CODE 62 SPLT FLNG STR	HYDROSTAT REAR HOSE
NS	LA-140402	1	3/4 100R1 HOSE 80" #12 MORS X #12 FORS	HYDRO MOTOR CASE DRAIN
<b>HYDRO HOSES (9870 PRO-DRIVE)</b>				
NS	LA-274141	1	1-1/4" 100R15 124" CODE 62 SLT FLNG 90° XR X CODE 62 SPLT FLNG STR	HYDROSTAT REAR
NS	LA-274151	1	1-1/4" 100R15 124" CODE 62 SLT FLNG 90° MR X CODE 62 SPLT FLNG STR	HYDROSTAT FORWARD
NS	LA-274112	1	3/4 100R1 HOSE 28IN #16 MORS STR X #16 FORS STR	HYDRO MOTOR CASE DRAIN
<b>HYDRO HOSES (9770 PRO-DRIVE)</b>				
NS	LA-276631	1	1-1/4" 100R15 124" CODE 62 SLT FLNG 90° XR X CODE 62 SPLT FLNG STR	HYDROSTAT REAR
NS	LA-276641	1	1-1/4" 100R15 124" CODE 62 SLT FLNG 90° MR X CODE 62 SPLT FLNG STR	HYDROSTAT FORWARD
NS	LA-274111	1	3/4 100R1 HOSE 28IN #16 MORS STR X #16 FORS STR	HYDRO MOTOR CASE DRAIN



Model 2975H Hillco Leveling System  
For Serial Numbers 2975H-12001 thru 2975H-14999

**HYDRAULIC HOSES CONTINUED**

PROPORTIONATOR HOSES				
REF.	PART NO.	QTY.	PART NAME	WHERE USED
NS	LA-273462	2	1/2 100R2 62" #10FORS X #8FORS 90°	FILTER HEAD; FRONT & SIDE PORTS TO VALVE BLOCK PORTS (A&B)
NS	LA-273862	1	3/8" 100R2 18" #6FORS X #6MORS	EXTENDS LUBE LINE PRO-DRIVE
NS	LA-274162	1	3/8" 100R2 32" #6FORS X #8FORS 90°	CASE DRAIN PROPORTIONATOR PUMP
NS	LA-274172	1	3/4" 100R2 22" #12 MORS X #12 FORS 90°	EXTENDS PROP MOTOR RETURN
NS	LA-274181	1	1" 100R4 35" #16 FORS X #16 FORS	SUCTION AST PUMP
NS	LA-274192	1	5/8" 100R2 10" #10MORS X #10FORS	EXTENDS PROP MOTOR SUPPLY
NS	LA-274212	1	5/8" 100R2 68" #12FORS X #10FORS	PROPORTIONATOR PUMP TO FILTER
BRAKE HOSES STANDARD TRANSMISSION				
NS	LA-130371	2	#4 TITE FLEX 31" #4 FORS X #4 FORS & #4 UNION	STANDARD TRANSMISSION ONLY
NS	HA-133131	2	O-RING, TEFLON	STANDARD TRANSMISSION ONLY
NS	LA-273461	2	3/8" 100R2 15" #8FORS X #8MORS	EXTENDS LEFT BRAKE LINE
NS	LA-273861	2	3/8" 100R2 15" #6 FORS X #6 MORS	EXTENDS RIGHT BRAKE LINE
BRAKE HOSES PRO-DRIVE TRANSMISSION				
NS	LA-273863	1	3/8" 100R2 31" #6FORS 90° X #6MORS	EXTENDS LEFT BRAKE LINE
NS	LA-273864	1	3/8" 100R2 46" #6FORS 90° X #6MORS	EXTENDS RIGHT BRAKE LINE
PUMP & MANIFOLD HOSES				
NS	LA-263571	1	1" 100R1 36" #16 FORS X #16 FORS 90°	RETURN LINE FROM FILTER OUTLET TO RESERVOIR
NS	LA-133331	1	3/16 R1 GREASE 10" 1/8 MPT X 1/8 FPT	OHLA BREATHER
NS	HC-145861	1	1/2" HEATER HOSE 2-3/4" (NO ENDS) SAE20R3D2	IDLER ASM
NS	LA-263571	1	1" 100R1 HOSE 36" #16 FORS X #16 FORS 90°	RETURN LINE FROM FILTER OUTLET TO RESERVOIR
NS	LA-263562	1	3/4" 100R1 HOSE 30" #12 FORS X #12 FORS 45°	MANIFOLD "T" PORT TO FILTER INLET
NS	LA-134872	1	3/8" 100R1 HOSE 72" #6 FORS X #6 FORS 90°	PUMP CASE DRAIN TO RESERVOIR
PROPORTIONATOR HOSES				
NS	LA-273461	2	3/8 100R2 15" #8 FORS X #8 MORS	EXTENDS REAR FILTER LINE & FILTER TO VALVE BLOCK
NS	LA-273861	1	3/8" 100R2 15" #6 FORS X #6 MORS	EXTENDS LUBE LINE PRO-DRIVE
NS	LA-274161	1	3/8" 100R2 48" #6 FORS 90° X #6 FORS	CASE DRAIN PROPORTIONATOR PUMP
NS	LA-274171	1	3/4" 100R2 16" #12 MORS X #12 FORS 90°	EXTENDS PROP MOTOR RETURN
NS	LA-274181	1	1" 100R4 35" #16 FORS X #16 FORS	SUCTION AST PUMP
NS	LA-274191	1	5/8" 100R2 16" #10 MORS X #10 FORS 90°	EXTENDS PROP MOTOR SUPPLY
NS	LA-274211	1	5/8" 100R2 62" #12 FORS X #10 FORS 90°	PROPORTIONATOR PUMP TO FILTER
NS	LA-274201	1	5/8" 100R2 40" #8 FORS 90° X #12 FORS	FILTER OUTLET LINE TO VALVE BLOCK
NS	LA-145721	1	1/4" 100R2 79" #4 FORS X #4 FORS 90°	LOAD SENSE LINE
NS	LA-145731	1	3/4" 100R12 70" #12 FORS X #12 FORS	PRESSURE FROM PUMP TO MANIFOLD
NS	LA-145741	1	1" 100R16 (1M2T) 62" #16 FORS X #16 FORS 90°	PUMP SUCTION

Model 2975H Hillco Leveling System  
For Serial Numbers 2975H-12001 thru 2975H-14999

### HYDRAULIC ADAPTERS

REF.	PART NO.	QTY.	PART NAME	WHERE USED
<b>LEVELING MANIFOLD ADAPTERS</b>				
NS	HA-L-12MF16MO	1	#16 MORB X #12 MORS 90°	INLET PORT ON FILTER HOUSING
NS	HA-L-16MF16MO	1	#16 MORB X #16 MORS 90°	OUTLET PORT ON FILTER HOUSING
NS	HA-L-8MF8MO	2	#8 MORB X #8 MORS 90°	"A" & "B" LEVELING PORTS
NS	HA-L-12MF12MO	1	#12 MORB X #12 MORS 90°	"P" PORT
NS	HA-S-12MF12MO	1	#12 MORB X #12 MORS STR	
<b>MAIN CYLINDER ADAPTERS</b>				
NS	HA-Q-6MF6MO	2	#6 MORB X #6 MORS BRANCH TEE	LEFT & RIGHT LEVELING CYLINDER ROD
NS	HA-L-6FF6MF	2	#6 FORS X #6 MORS 90°	LEFT & RIGHT LEVELING CYLINDER ROD
NS	HA-T-6MF6MO	1	#6 MORS X #6 MORB STR THREAD RUN TEE	
NS	HA-L-6MF6MO	3	#6 MORS X #6 MORB 90°	POPERATED CHECK VALVE #2,#3 LEFT & RIGHT
NS	HA-L-6FF6MF	1	#6 FORS X #6 MORS 90°	RIGHT LEVELING CYLINDER ROD
NS	HA-M-6FF6MF	2	#6 FORS X #6 MORS SWIVEL NUT RUN TEE	LEFT MAIN LEVELING CYLINDER ROD/ LEFT PILOT OPERATED CHECK VALVE #2
<b>MASTER &amp; SLAVE CYLINDER ADAPTERS</b>				
NS	HA-L-4MF6MO	2	#4 MORS X #6 MORB 90°	MASTER CYLINDER ROD AND BASE
NS	HA-L-4MF6MO	2	#4 MORS X #6 MORB 90°	SLAVE CYLINDER ROD AND BASE
<b>GREASE FITTING ADAPTERS</b>				
NS	HC-135881	2	1/4-28 MALE X 1/8 FPT STR	MASTER LEVELING CYLINDER BASE
NS	HC-135771	3	1/4-28 MALE X 1/8 FPT 90°	MAIN LEVELING CYLINDER BASE
NS	HA-NJ-2FN	4	1/8" NPSM BULKHEAD LOCKNUT	BULKHEAD CONNECTOR
NS	HA-S-2FP2MN	4	1/8" NPSM X 1/8" FPT BULKHEAD CONNECTOR	GREASE BULKHEAD MOUNT
NS	HC-138011	4	1/4-28 STRAIGHT ZERK	ALL GREASE LINES
<b>TRIM MANIFOLD ADAPTERS</b>				
NS	HA-L-4MF4MO	2	#4 MORB X #4 MORS 90°	"A" & "B" PORTS
NS	HA-S-8MF8MO	2	#8 MORS X #8 MORB STRAIGHT	"P" & "T" PORTS
NS	HA-L-16MF16MO	1	#16 MORB X #16 MORS 90°	SUCTION PORT (RES)
NS	HA-M-16FF16MF	2	#16 FORS X #16 MORS SWIVEL NUT RUN TEE	SUCTION PORT (RES)
NS	LM-265311	2	ADAPTER, HIC MANIFOLD, MOD	PRESSURE & RETURN OF HIC MANIFOLD
NS	HA-S-8FF4MF	2	#8 FORS X #4 MORS REDUCER	P/T TRIM MANIFOLD
NS	HA-Y-4MF4MF	2	#4 MORS UNION TEE	SLAVE/MASTER UNION
<b>PFC PUMP OPTION ADAPTERS</b>				
NS	HA-S-12MO16MF	1	#12 MORB X #16 MORS STR.	PUMP SUCTION
NS	HA-L-16FF16MF	1	#16 MORS X #16 FORS 90°	ATTACHED TO HA-S-12MO16MF
NS	HA-L-12MF10MO	1	#10 MORB X #12 MORS 90°	PUMP PRESSURE
NS	HA-L-4MF4MO	1	#4 MORB X #4 MORS 90°	PUMP LOAD SENSE
NS	HA-L-6MF6MO	1	#6 MORB X #6 MORS 90°	PUMP CASE DRAIN
NS	HC-145001	1	1/8" PIPE STREET ELBOW	OHLA BREATHER PORT
<b>PRO-DRIVE OPTION ADAPTERS</b>				
NS	HA-L-12MF12FF	1	#12 FORS X #12 MORS 90°	PROPORTIONATOR MOTOR TO SENSOR
NS	HA-L-6FP6MP	1	3/8 MPT 90° STREET EL	TURNS DR VERTICAL
NS	HA-F-16FF16MF	1	#16FORS X #16 MORS 45°	SUCTION AT PUMP
NS	HA-L-12MF12FF	1	#12 FORS X #12 MORS 90°	PROPORTIONATOR PUMP TO FILTER
NS	HA-L-6FF6MF	1	#6 FORS X #6 MORS 90°	EXTENDS LUBE LINE PRO-DRIVE

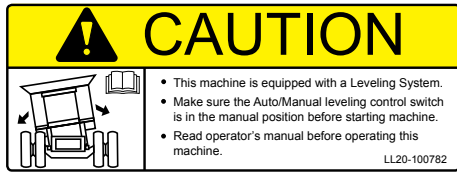
**MISCELLANEOUS**



1) LL-133741



2) LL-141301



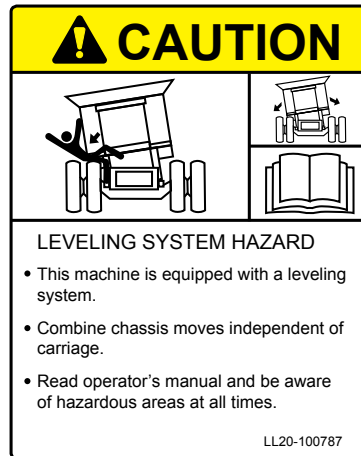
3) LL20-100782



5) LL20-100784



4) LL20-100783



7) LL20-100787



6) LL20-100786



8) LL20-100788



9) LL-143621

Model 2975H Hillco Leveling System  
For Serial Numbers 2975H-12001 thru 2975H-14999

<b>DECALS AND LITERATURE</b>				
<b>REF.</b>	<b>PART NO.</b>	<b>QTY.</b>	<b>PART NAME</b>	<b>DESCRIPTION</b>
1	LL-133741	1	LABEL, GREASE 50 HRS	OC BULKHEAD
1	LL-133741	2	LABEL, GREASE 50 HRS	RIGHT & LEFT MAIN LEV CYL BOTTOM
1	LL-133741	1	LABEL, GREASE 50 HRS	MASTER CYLINDER ROD
2	LL-142091	2	DECAL, HILLSIDE LEVELING SYSTEM	SIDE OF COMBINE
3	LL20-100782	1	CAUTION LEVELING SYSTEM CAB	WINDOW IN CAB
4	LL20-100783	2	DANGER, CRUSHING HAZARD	RIGHT & LEFT UNDERCARRIAGE
4	LL20-100783	2	DANGER, CRUSHING HAZARD	SIDES OF DROP AXLE ASSEMBLY
5	LL20-100784	2	DECAL, DANGER PINCH POINT	RIGHT & LEFT UPPER TRANS FACE PLT
6	LL20-100786	1	WARNING ELECTRICAL CRUSHING HAZARD	FRONT OF ELECTRICAL CONTROL BOX
7	LL20-100787	1	CAUTION - LEVELING SYSTEM HAZARD	ON LADDER PLATFORM
8	LL20-100788	1	DANGER - HYDRAULIC HAZARD	ON SIDE OF COMBINE ABOVE THE HYDRAULIC MANIFOLD
8	LL20-100788	2	DANGER - HYDRAULIC HAZARD	FOR EACH LEVELING CYLINDER
9	LL-143621	2	DANGER, AVOID CRUSHING INJURY	IN AREA NEAR SAFETY STOP STORAGE LOCATION
NS	LL-147651	1	LABEL, FEMA MEMBER TAG	NEAR SERIAL NUMBER TAG
NS	LA-255961	1	TAG, SERIAL NUMBER	
NS	LL-274401	1	LIMIT SWITCH WARNING LABEL	INSTALLED ON 1 LIMIT SWITCH
NS	EC-150131	1	DECAL, REMOTE SWITCH BOX	
NS	LL-289641	1	CM LABEL, MECHANICAL CYLINDER STOP	
NS	D-110610CMA01	1	MANUAL, PARTS	
NS	D-090316DJC01A	1	MANUAL, OPERATORS	
NS	D-050611SLR01	1	WARRANTY REGISTRATION CARD	
NS	LL-239412	1	LABEL, STEERING WHEEL	TIED TO STEERING WHEEL DURING INSTALLATION
NS	D-050628LJH01A	3	DEALER PDI & INSTALL CHECKLIST	
<b>HOSE CLAMPS AND FASTENERS</b>				
NS	MC-137521	3	TANDEM CLAMPING HALVES BEHRINGER (PAIR)	HYDROSTAT HOSES
NS	MC-137531	3	COVER PLATE W/ 5/16 HOLE (BEHRINGER)	HYDROSTAT HOSES
NS	F-HCF-08M090F	2	FLHC-8.8 M8 X 1.25 X 90	BEHRINGER CLAMP FOR HYDRO HOSES
NS	F-HNF-08ME	5	FLHN-10.9 M8 X 1.25	BEHRINGER CLAMP FOR HYDRO HOSES
NS	F-HC-08M100F	2	HC-8.8 M8 X 1.25 X 100	BEHRINGER CLAMP FOR HYDRO HOSES
NS	F-HC-08M120F	1	HC-8.8 M8 X 1.25 X 120	BEHRINGER CLAMP FOR HYDRO HOSES
NS	MC-135631	2	CLAMP, HOSE 1-1/2 R/C W 3/8 HOLE	CLAMP, GREASE LINES/ TRIM HOSES
NS	HC-142061	1	SLEEVE, ABRASION,SHIFT CABLE 36"	SLEEVE, ABRASION, SHIFT CABLE
NS	HC-139221	2	CLAMP, 1/4" TUBE TANDEM (PAIR)	BRAKE LINES
NS	HC-139231	4	CLAMP, COVER PLATE FOR 1/4" TUBE CLAMP	BRAKE LINES
NS	F-HNF-08ME	1	FLHN- 10.9 M8 X 1.25	BRAKELINE TANDEM CLAMP
NS	F-HCF-8M050E	1	FLHC- 10.9 M8 X 1.25 X 50	BRAKELINE TANDEM CLAMP
NS	HC-143601	3	CLAMP, HOSE 1-1/8" R/C 3/8" HOLE	GREASE HOSES & MASTER CYLINDER HOSES
NS	MC-135631	2	CLAMP, HOSE 1-1/2 R/C 3/8" HOLE	CLAMP TRIM HOSES UNDER FEEDER HOUSE & MASTER CYLINDER HOSES
NS	HC-143601	1	CLAMP, HOSE 1-1/8" R/C 3/8" HOLE	CLAMP TRIM HOSES UNDER FEEDER HOUSE
NS	HC-143601	2	CLAMP, HOSE 1-1/8" R/C 3/8" HOLE	CASE DRAIN HOSE
NS	MC-101343	2	CLAMP, HOSE 2-7/16" R/C 3/8" HOLE	PRESSURE AND RETURN HOSES ABOVE HYDRO HOSES

Model 2975H Hillco Leveling System  
For Serial Numbers 2975H-12001 thru 2975H-14999

Hillco Technologies, Inc.  
107 1st Avenue  
Nezperce, Idaho 83543

Phone	800-937-2461
	208-937-2461
Fax	208-937-2280

[www.hillcotechnologies.com](http://www.hillcotechnologies.com)  
email: [support@hillcotechnologies.com](mailto:support@hillcotechnologies.com)