

Model 2975H
Hillside Leveling System
Parts Manual

SN 2975H-1401 thru 2975H-1499

D-090721ADL01B





2975 Hillside Leveling System
for 9870, 9770, and 9670 John Deere Combines

TABLE OF CONTENTS

1 GENERAL INFORMATION	1-3
Serial Number Location	1-3
Text Format and Illustrations	1-3
Abbreviations.....	1-3
Right and Left Identification	1-3
Parts Orders	1-3
2 TRANSITION	2-1
Radial Pin Slip Clutch	2-3
Transition Fasteners.....	2-5
3 CARRIAGE	3-1
Carriage Fasteners.....	3-3
4 DROP AXLE	4-1
5 LADDER	5-1
6 ELECTRICAL COMPONENTS	6-1
Electrical Cables.....	6-3
7 HYDRAULICS	7-1
PFC Pump and Leveling Manifold Assembly.....	7-3
PFC Pump Assembly	7-4
PFC Pump Idler Assembly	7-6
PFC Leveling Manifold	7-7
Hydraulic Trim Manifold.....	7-10
Hydraulic Hoses	7-12
Hydraulic Hoses (Continued).....	7-13
Hydraulic Adapters	7-14
8 MISCELLANEOUS	8-1
9 PART NUMBER INDEX	9-1
Part Number Index (Continued).....	9-2

Model 2975 Hillco Leveling System
For Serial Numbers 2975H-1401 thru 2975H-1499

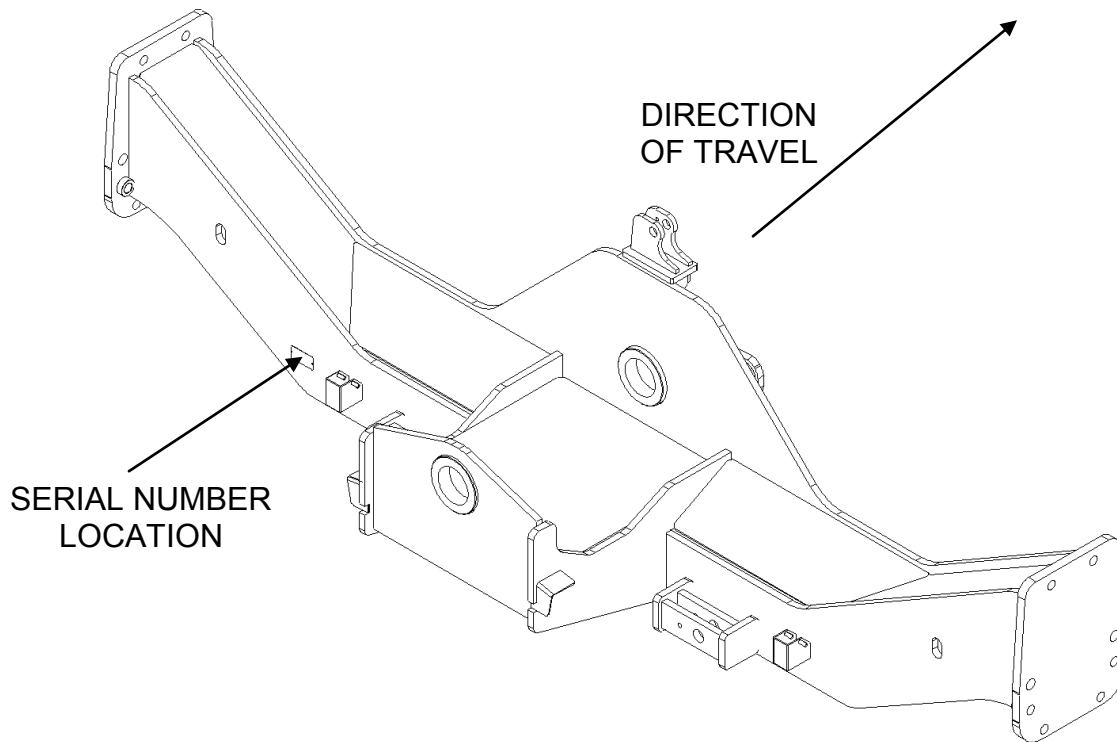
Hillco Technologies, Inc.
107 1st Avenue
Nezperce Id. 83543

Fax	208.937.2280
Phone	208.937.2461
Toll Free	800.937.2461

www.hillcotechnologies.com

1 **GENERAL INFORMATION**

SERIAL NUMBER LOCATION



TEXT FORMAT AND ILLUSTRATIONS

The arrangement of this parts catalog is for easy identification of parts. All parts are illustrated in exploded views in proper relation to each other. Some diagrams refer to other pages for further information. Reference numbers used in the illustrations refer to line numbers in the part lists. The part lists appear to the right of all diagrams and correspond with those diagrams. Included in the part lists, along with the reference numbers are part numbers, part descriptions and the quantity of the part required per leveling system.

ABBREVIATIONS

SN "Serial Number" refers to the serial number given to each leveling system (by Hillco Technologies), as well as the serial number given to the combine (by the specific combine manufacturer) the leveling system is installed upon. This abbreviation is used interchangeably in both instances. Each model 2975 Leveling System uses the following serial number format: 2975-XXXX (sequential numbers).

ASM "Assembly" refers to a whole grouping of parts (usually shown in the diagram corresponding with the page where "ASM" is shown unless otherwise noted). Some assemblies have parts that are sold separately, however some must be purchased as a single unit. Hillco Product Specialists will be able to assist you with any questions.

NS "Not Shown" refers to a part that is not depicted in the illustration.

RIGHT AND LEFT IDENTIFICATION

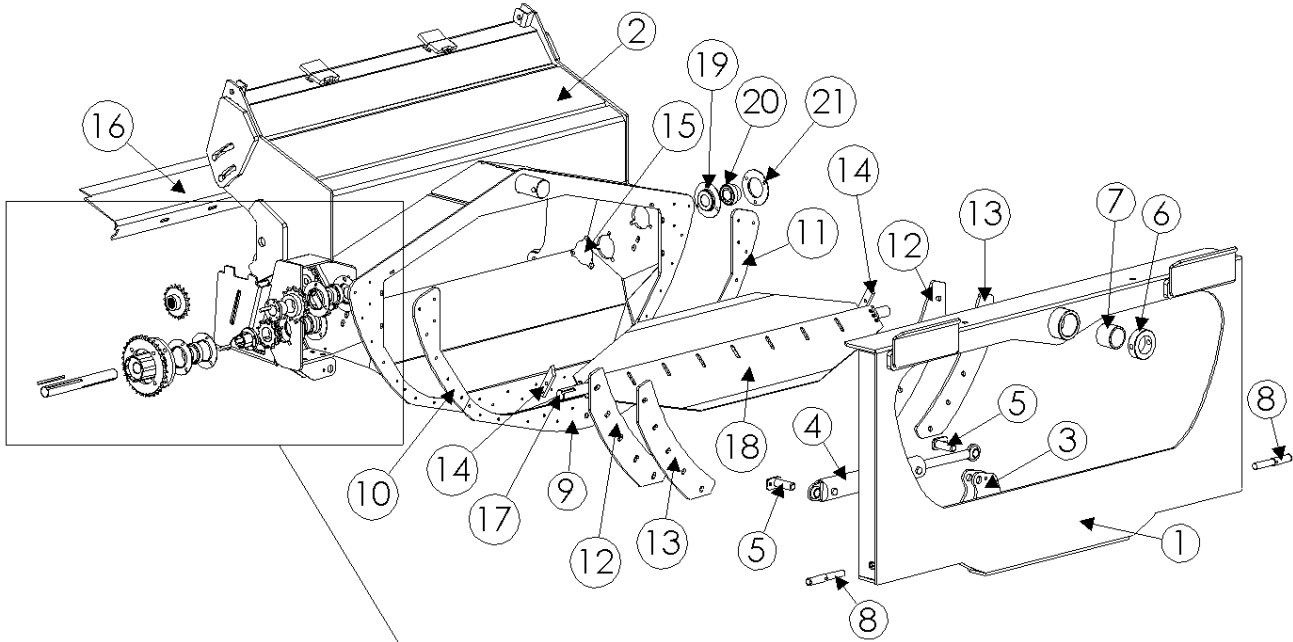
The reference to right-hand and left-hand in this catalog is identified by the operator sitting in the operator's seat, looking toward the front of the machine (in normal forward travel).

PARTS ORDERS

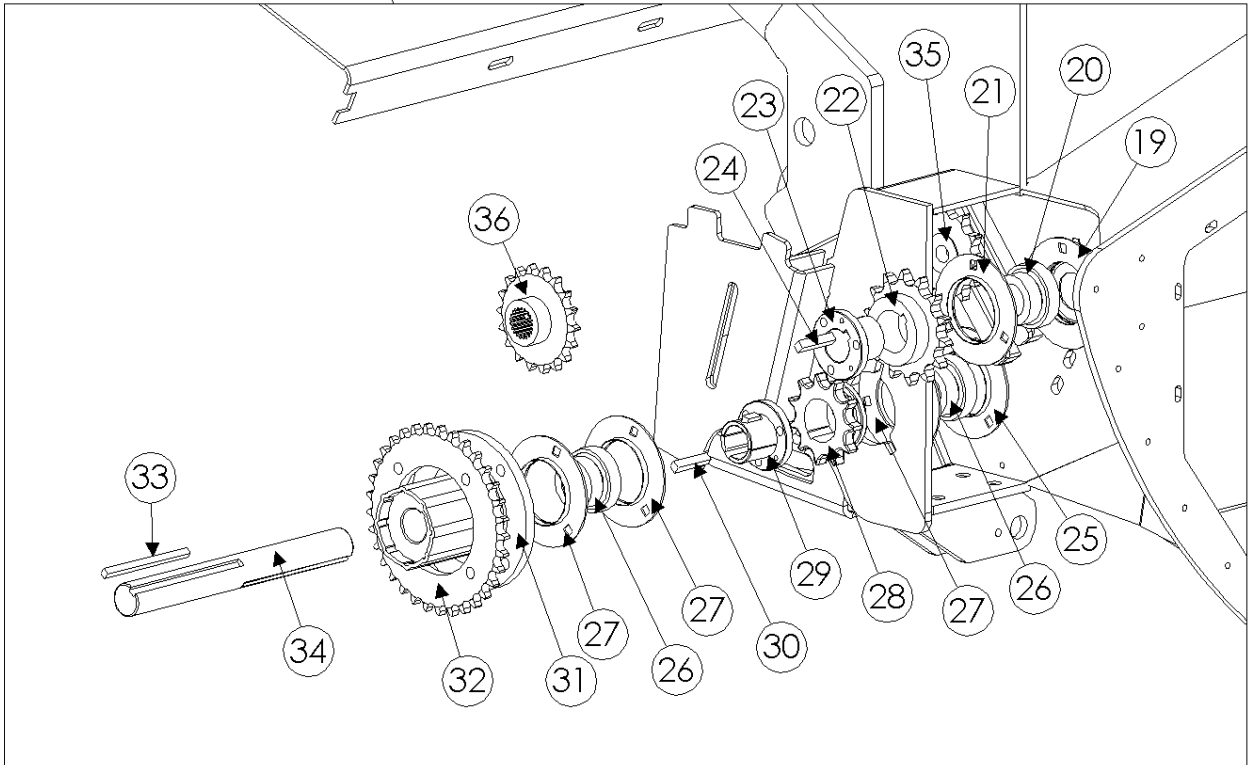
Orders must specify product model, serial number, correct part number, complete description, quantity required, method of shipment, shipping address, and billing address.

2 TRANSITION

SEE PAGE 2-5 FOR
TRANSITION FASTENERS



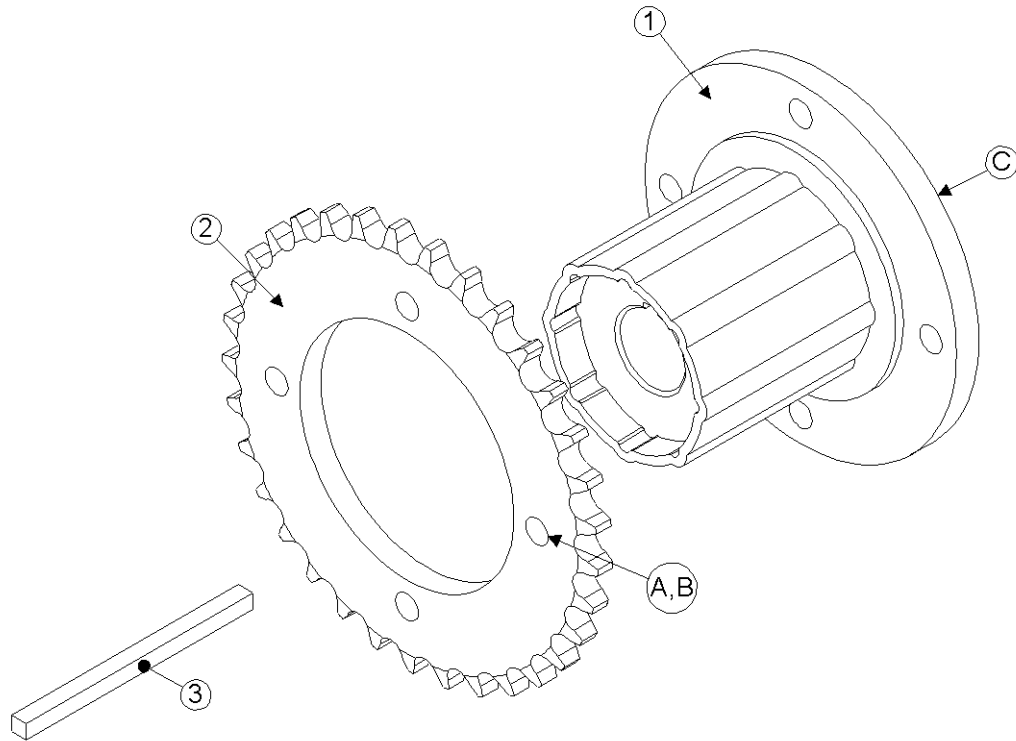
TRANSITION DRIVE COMPONENT DETAIL



Model 2975H Hillco Leveling System
For Serial Numbers 2975H-1401 thru 2975H-1499

TRANSITION COMPONENTS				
REF.	PART NO.	QTY.	DESCRIPTION	NOTES
1	LA-228893	1	TA ASM	
2	LA-271732	1	TT ASM	
3	LA-229022	1	TM MOUNT ASM, ROD	
4	HC-147491	1	CYLINDER, SLAVE	SEE HYDRAULICS PAGE 7-1
5	LA-229071	2	TM PIN ASM, TRIM CYLINDER	
6	LM-226841	1	TM COLLAR, PIVOT	
7	LTP-241721	1	BUSHING, GRAPHITE	
8	LM-229192	2	TM ROD, LOCK	
NS	MC-135531	2	SPRING, COMPRESSION	
9	LM-229152	1	TM PLATE, WEAR BOTTOM	
10	LM-229161	1	TM PLATE, WEAR LH	
11	LM-229171	1	TM PLATE, WEAR RH	
12	LP-249861	2	TM PLT, BACKING	
13	LP-249871	2	TM UHMW, BACKING	
14	LM-262811X	2	TM STRIPPER, BEATER SHAFT	
15	LP-266271	1	TT PLT, CAP	
16	LP-271691	1	TT PLT, FLEX FLOOR REAR	
BEATER SHAFT				
17	LA-251632	1	TB ASM, SHAFT	
18	LP-251002	2	TB PADDLE, METAL	
19	LA-243691	2	TM ASM, INNER FLANGETTE	
20	MC-100548	2	BEARING INSERT, 1-7/16, NON-RELUBE	
21	MC-101339	1	FLANGETTES, RND BEARING (PAIR)	
22	MC-136151	1	SPROCKET, 80P, 14T TAPER BORE	
23	MC-135511	1	HUB, SPLIT TAPER 1-7/16	
24	LS-212701	1	TM KEY, BEATER DRIVE, 3/8 X 2	
NS	LP-232162	1	TM ROLLER CHAIN, 28 PIN 80P	
NS	MC-139341	1	LINK, CONNECTING, 80P	
NS	MC-139351	1	LINK, OFFSET, 80P	
TRANSITION THROAT JACK SHAFT				
25	LA-243691	1	TM ASM, INNER FLANGETTE	
26	MC-100548	2	BEARING INSERT, 1-7/16, NON-RELUBE	
27	MC-101339	2	FLANGETTES, RND BEARING (PAIR)	
28	MC-135491	1	SPROCKET, 11T 80P TAPER BORE HRD	
29	MC-135511	1	HUB, SPLIT TAPER 1-7/16	
30	LS-212701	1	TM KEY, BEATER DRIVE, 3/8 X 2	
31	MC-136921	1	RADIAL PIN SLIP CLUTCH 1-7/16 BORE & 5/16 KEY	
32	LM-226532	1	TM SPROCKET, RADIAL SLIP CLUTCH	
33	LS-244471	1	TM KEY, RADIAL PIN SLIP CLUTCH	
34	LM-229142	1	TT SHAFT, JACK	
35	MC-137441	1	SPOCKET, IDLER 80P, 12T, 3/4	
36	LA-273851	1	TM ASM, DRIVE SPROCKET	
OPTIONAL - PRO-DRIVE OPTION				
37	LP-274251	1	HM TABLE, HYDRO HOSE	
38	LM-274241	1	LM PLT, SUPPORT, HYDRO HOSE	
39	LA-274291	1	HM ASM, MNT PROPORTIONATOR	
40	LA-274261	1	LM ASM, BULKHEAD MNT	
41	LA-264171	1	LM, ASM, ROCK TRAP LINKAGE	

Model 2975H Hillco Leveling System
For Serial Numbers 2975H-1401 thru 2975H-1499
RADIAL PIN SLIP CLUTCH

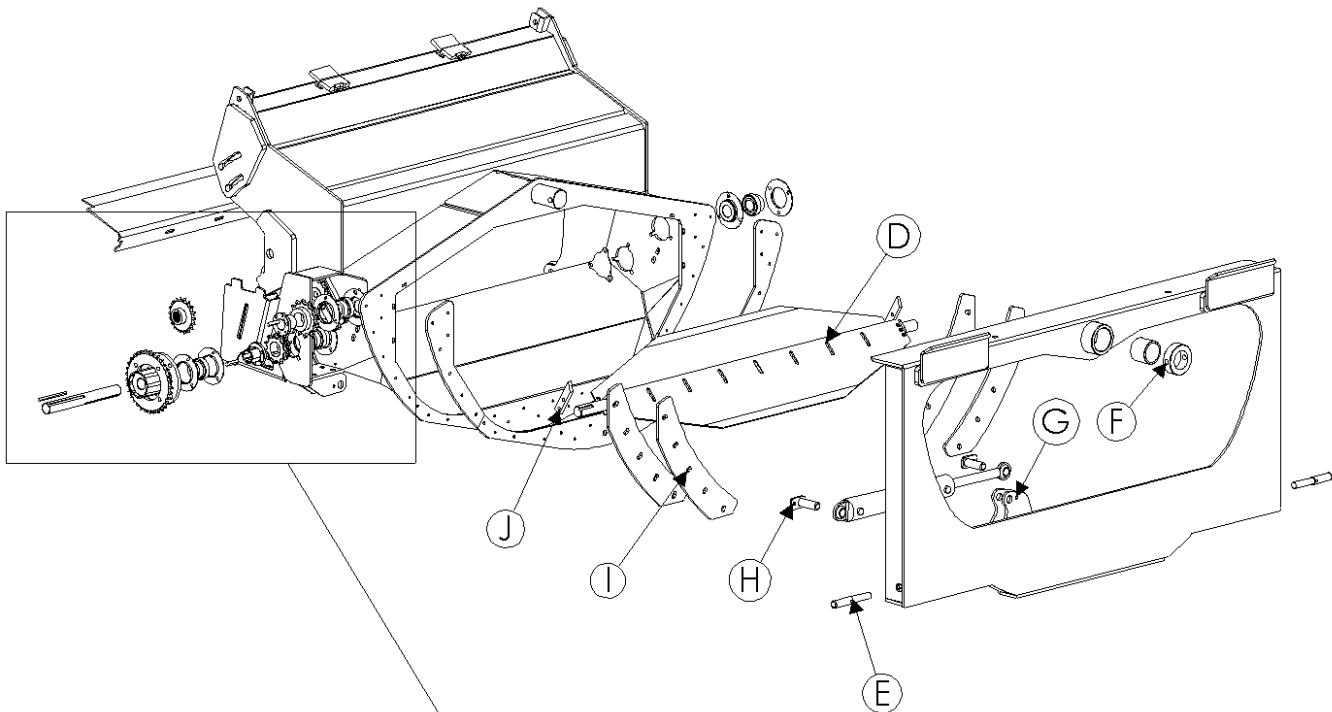


Model 2975H Hillco Leveling System
 For Serial Numbers 2975H-1401 thru 2975H-1499

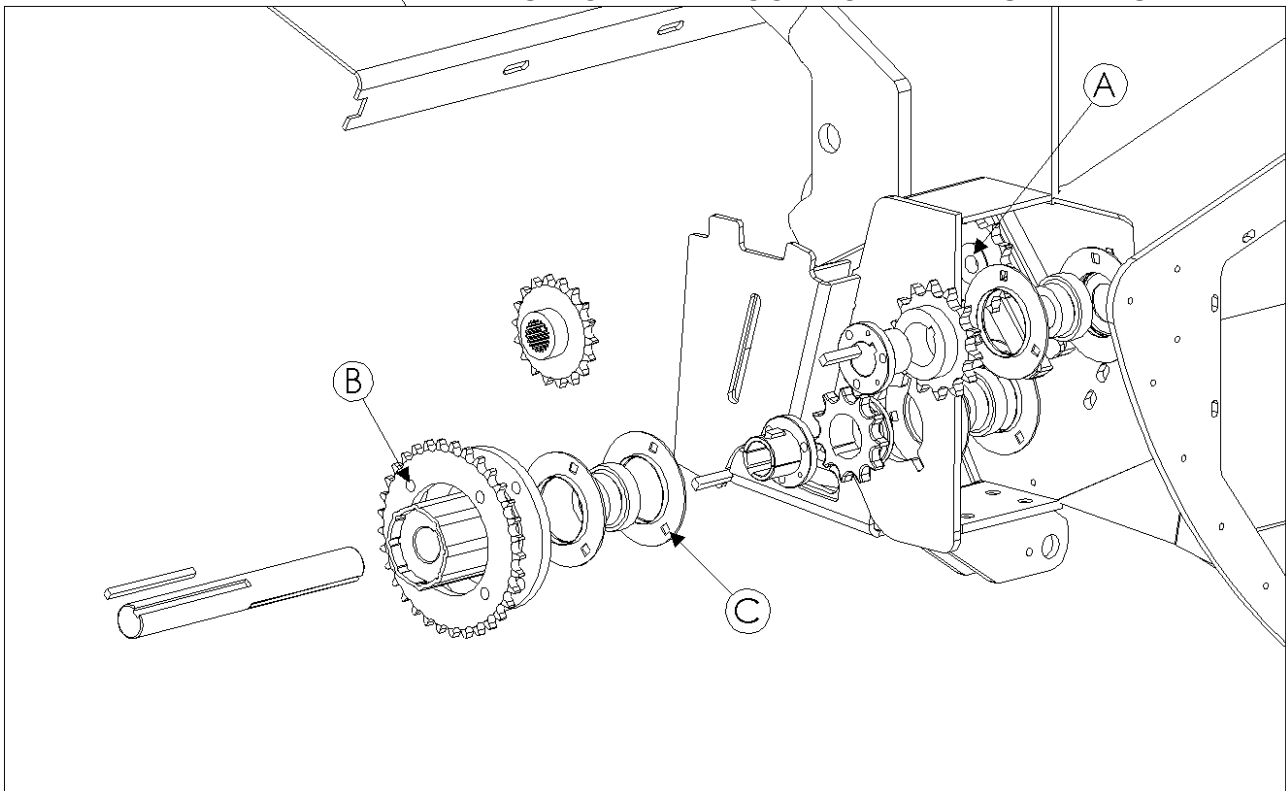
RADIAL PIN SLIP CLUTCH COMPONENTS				
REF.	PART NO.	QTY.	PART NAME	NOTES
1	MC-136921	1	RADIAL PIN SLIP CLUTCH	
2	LM-226532	1	TM SPROCKET, RADIAL SLIP CLUTCH	
3	LS-244471	2	TM KEY, RADIAL PIN SLIP CLUTCH	
RADIAL PIN SLIP CLUTCH FASTENERS				
A	F-HC8-08F20	4	HC8 1/2-20 X 1-1/4	
B	F-LW-08A	4	LW 1/2 HD	
C	F-SSS-06C08	2	SCREW, SOCKET SET 3/8-16 X 2	

Model 2975H Hillco Leveling System
For Serial Numbers 2975H-1401 thru 2975H-1499

TRANSITION FASTENERS



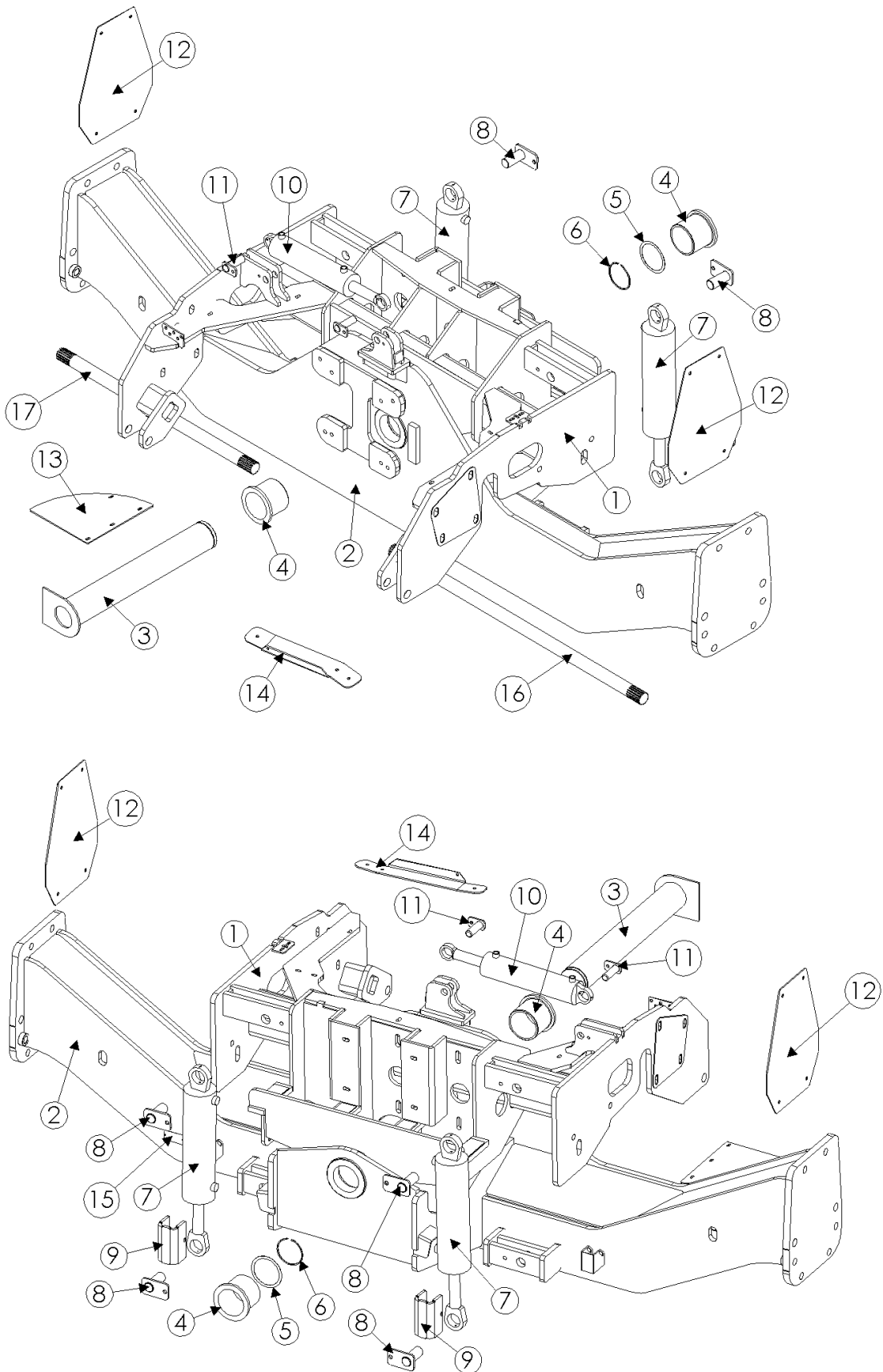
TRANSITION DRIVE COMPONENT FASTENERS DETAIL



Model 2975H Hillco Leveling System
For Serial Numbers 2975H-1401 thru 2975H-1499

TRANSITION FASTENERS				
REF.	PART NO.	QTY.	DESCRIPTION	NOTES
A	F-FWH-12	10	FW, HD 3/4	80P IDLER SPROCKET AXLE
A	F-HC8-12C48	1	HC8 3/4-10 X 3" PLT	80P IDLER SPROCKET AXLE
A	F-HNS-12C	1	HN8 3/4-10 STV PLT	80P IDLER SPROCKET AXLE
B	F-HC8-08F20	4	HC8 1/2-20 X 1-1/4	RADIAL PIN SLIP CLUTCH
B	F-LW-08A	4	LW 1/2 HD	RADIAL PIN SLIP CLUTCH
C	F-CB-10M030F	12	CARR-8.8 M10 X 1.50 X 30 PLT	JACKSHAFT BEARINGS, OUTER
C	F-HNF-10MF	12	FLHN-8.8 M10 X 1.50 PLT	JACKSHAFT BEARING
D	F-HCF-12M080E	9	FLHC-10.9 M12 X 1.75 X 80 PLT	STEEL PADDLES
D	F-HNSF-12ME	9	FLHN-10.9 M12 X 1.75 STV PLT	STEEL PADDLES
E	F-SHC-10M070F	2	MM SHCS-8.8 M10 X 1.50 X 70 PLT	THA HEADER LOCK
F	F-HC-16M120E	1	MM HC-10.9 M16 X 2.00 X 120 PLT	TRANSITION MAIN PIVOT PIN COLLAR
F	F-HNS-16ME	1	MM HN-10.9 M16 X 2.00 STV PLT	TRANSITION MAIN PIVOT PIN COLLAR
F	F-MB-14NR40	3	MACH BUSH 14 GA NR 2-1/2 ID	TRANSITION MAIN PIVOT PIN
G	F-HC-16M050E	3	MM HC-10.9 M16 X 2.00 X 50 PLT	ROD MNT
G	F-HNS-16ME	3	MM HN-10.9 M16 X 2.00 STV PLT	ROD MNT
H	F-HCF-10M020F	2	MM FLHC-8.8 M10 X 1.50 X 20 PLT	SLAVE CYL MNT PIN
I	F-FHS-8M016E	29	MM FHSC-10.9 M8 X 1.25 X 15	TT FACE PLATE
J	F-HCF-12M020E	4	FLHC-10.0 M12 X 1.75 X 20	BEATER SHAFT STRIPPERS

3 CARRIAGE

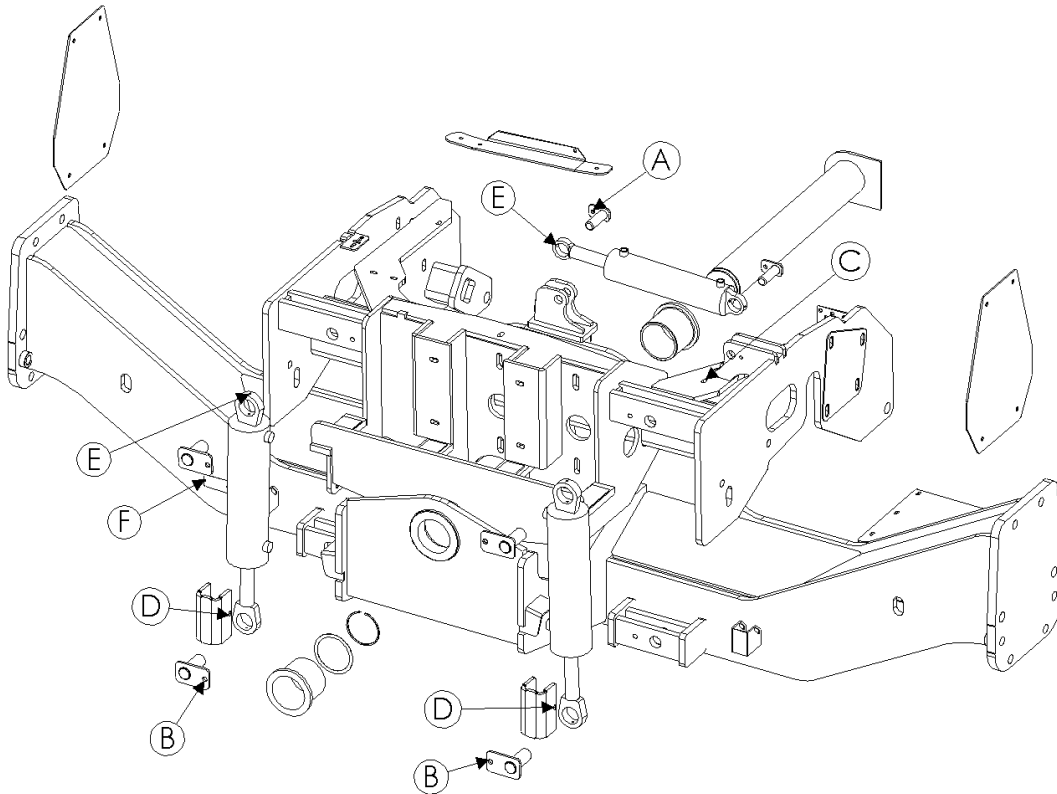
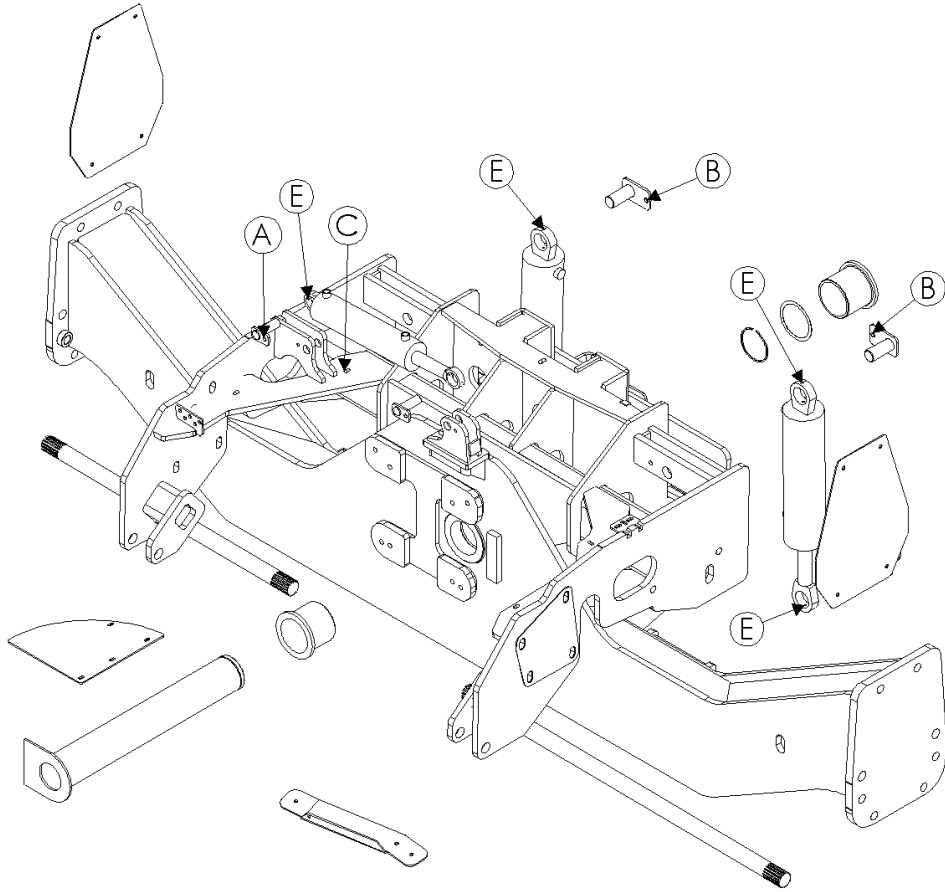


Model 2975H Hillco Leveling System
For Serial Numbers 2975H-1401 thru 2975H-1499

CARRIAGE COMPONENTS				
REF.	PART NO.	QTY.	DESCRIPTION	NOTES
1	LA-271801	1	CO ASM	
2	LA-271791	1	CU ASM, 122.5	
3	LA-247482	1	CM PIN ASM, MAIN PIVOT	
4	LP-247961	2	CM BUSHING, PIVOT	
5	MC-138641	4	WASHER	
6	MC-138651	1	SNAP RING 4"	
7	HC-147511	2	CYLINDER, MAIN	<i>SEE HYDRAULICS PAGE 7-1</i>
8	LA-230552	4	CM PIN ASM, MAIN CYLINDER	
9	LP-249321	2	CM SPACER, SHIPPING	
10	HC-147501	1	CYLINDER, MASTER	<i>SEE HYDRAULICS PAGE 7-1</i>
11	LA-229071	2	TM PIN ASM, TRIM CLY	
12	LP-230241	2	CM CAP, AXLE	
13	LP-261121	1	HM TABLE, HYDRO HOSE	
14	LP-272101	1	HM MOUNT, HYDRO CLAMP	
15	LA-256001	1	TAG, SERIAL NUMBER	
OPTIONAL				
16	MC-134261	1	COUNTER SHAFT, 1228 MM, LEFT	RG&P 122.5 UNDERCARRIAGE, NO EXTENSIONS
17	MC-134271	1	COUNTER SHAFT, 951 MM, RIGHT	RG&P 122.5 UNDERCARRIAGE, NO EXTENSIONS

Model 2975H Hillco Leveling System
For Serial Numbers 2975H-1401 thru 2975H-1499

CARRIAGE FASTENERS

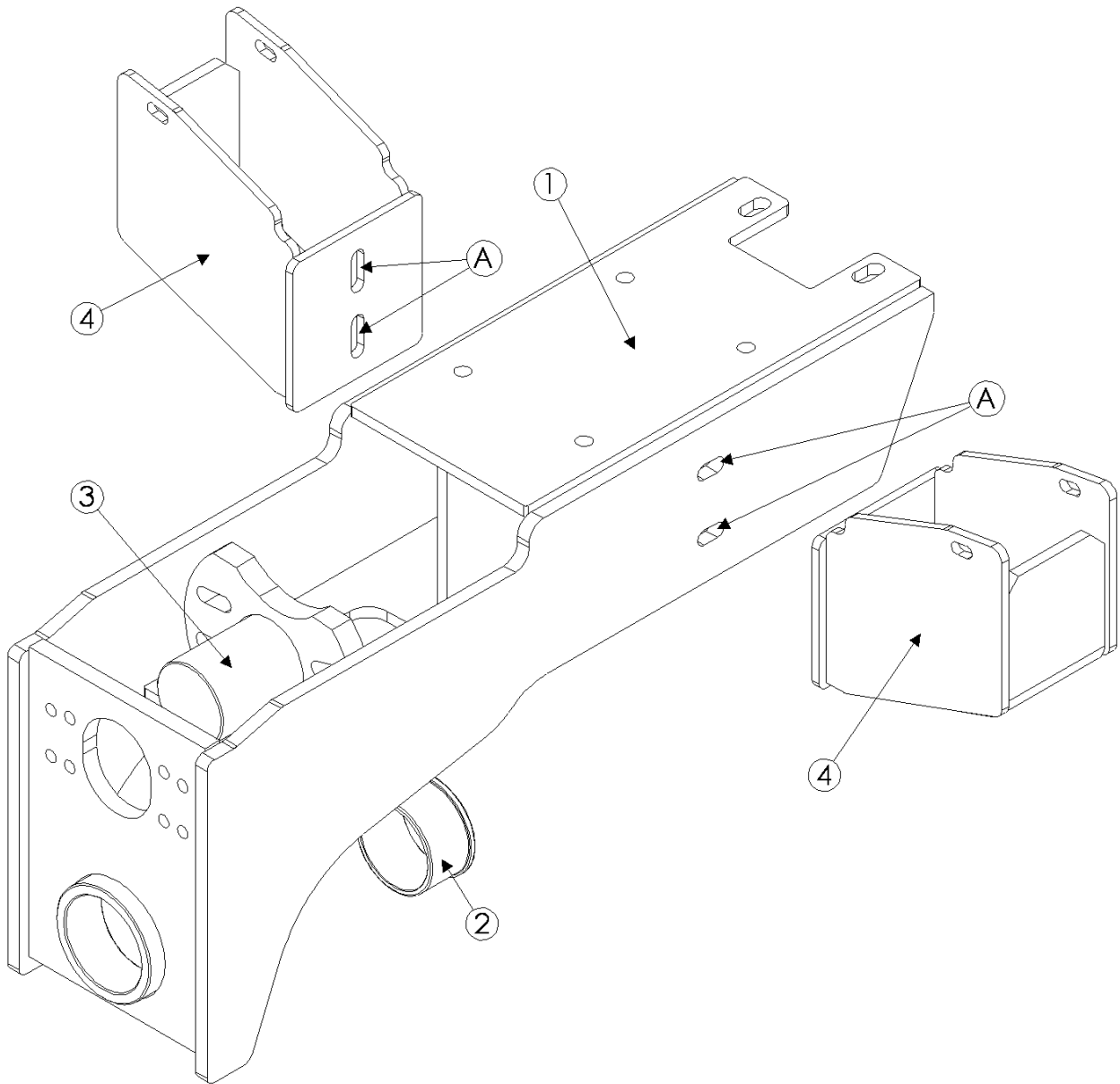


Model 2975H Hillco Leveling System
For Serial Numbers 2975H-1401 thru 2975H-1499

CARRIAGE FASTENERS				
REF.	PART NO.	QTY.	DESCRIPTION	NOTES
A	F-HCF-10M020E	2	FLHC-10.9 M10 X 1.50 X 20 PLT	MASTER CYLINDER MOUNT PIN
B	F-HCF-12M040F	2	FLHC-8.8 M12 X 1.75 X 40 PLT	LEVELING CYLINDER MOUNT PIN
B	F-HCF-12M040F	2	FLHC-8.8 M12 X 1.75 X 40 PLT	LEVELING CYLINDER MOUNT PIN
B	F-HNS-12ME	2	HN-10.9 M12 X 1.75 STV PLT	LEVELING CYLINDER MOUNT PIN
B	F-HNS-12ME	2	HN-10.9 M12 X 1.75 STV PLT	LEVELING CYLINDER MOUNT PIN
C	F-HCF-8M030F	2	FLHC-8.8 M8 X 1.25 X 30	HOSES CLAMPS FOR HEADER LIFT CYLINDER & GREASE HOSES
C	F-HNF-08MF	2	FLHN-8.8 M8 X 1.25 PLT	HOSES CLAMPS FOR HEADER LIFT CYLINDER & GREASE HOSES
D	F-PSL-04X48	2	SNAP LOCK PIN 1/4 X 3	SHIPPING SPACERS ON CYLINDERS
E	F-SSS-04F04	6	SET SCREW, SOCKET 1/4-28 X 1/4	MASTER & MAIN CYLINDERS
F	F-UDS-#7X06	2	#7 X 3/8 U-DRIVE SCREW	SERIAL NUMBER PLATE

Model 2975H Hillco Leveling System
For Serial Numbers 2975H-1401 thru 2975H-1499

4 DROP AXLE



Model 2975H Hillco Leveling System
For Serial Numbers 2975H-1401 thru 2975H-1499

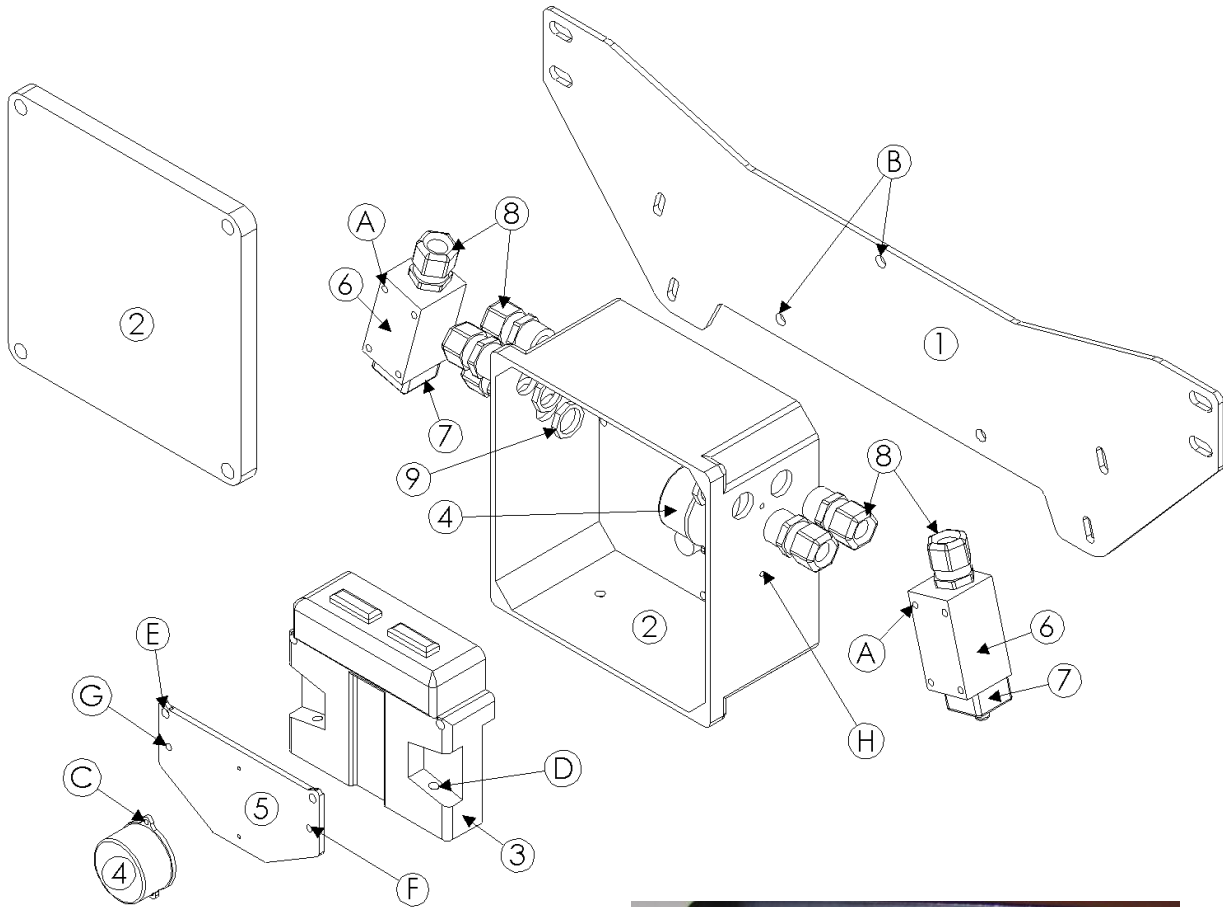
DROP AXLE COMPONENTS				
REF.	PART NO.	QTY.	DESCRIPTION	NOTES
ASM	LA-271261	1	DA ASM, 2975	
1	LA-271271	1	DA ASM	
2	LA-265541	1	DA ASM, PIVOT	
3	LP-235092	1	LM BUSHING, DA PIVOT	
4	LA-271281	2	DA ASM, WING	
DROP AXLE FASTENERS				
A	F-HCF-16M050E	4	FLHC-10.9 M16 X 2.00 X 50 PLT	

Model 2975H Hillco Leveling System
For Serial Numbers 2975H-1401 thru 2975H-1499

LADDER COMPONENTS				
REF.	PART NO.	QTY.	DESCRIPTION	NOTES
1	LA-236563	1	LM STEP ASM, FOLDING LADDER LOWER	
2	LA-236542	1	LM PLT ASM, LFT SIDE FOLDING LADDER	
3	LA-236552	1	LM PLT ASM, RHT SIDE FOLDING LADDER	
4	LA-271911	1	LM ASM, UPPER ARM LEFT	
5	LA-271951	1	LM ASM, UPPER ARM RIGHT	
6	LA-271921	2	LM ASM, FOLDING LADDER LINK	
7	LA-238761	1	LM ASM, LADDER HANDLE	
8	MC-134921	2	GAS CHARGED LIFT SUPPORT	
9	LM-241271	4	LM FLT, LADDER SPACER	
10	LM-267981	8	LM BUSHING, LADDER PIVOT	
NS	MC-134931	2	LIFT SUPPORT BRACKETS (PAIR)	
LADDER FASTENERS				
REF.	PART NO.	QTY.	DESCRIPTION	WHERE USED
A	F-HC-12M050F	2	MM HC-8.8 M12 X 1.75 X 50 PLT	TOP SIDE PLATE PIVOT
A	F-HNS-12ME	2	MM HN-10.9 M12 X 1.75 STV PLT	PIVOTS
B	F-HC-12M030F	4	MM HC-8.8 M12 X 1.75 X 30 PLT	MIDDLE PIVOTS
B	F-HNS-12ME	4	MM HN-10.9 M12 X 1.75 STV PLT	PIVOTS
C	F-HC-12M065F	2	MM HC-8.8 M12 X 1.75 X 65 PLT	BOTTOM SIDE PLATE PIVOTS
C	F-HNS-12ME	2	MM HN-10.9 M12 X 1.75 STV PLT	PIVOTS
D	F-HCF-08M035F	8	MM HCF-8.8 M8 X 1.25 X 35 PLT	SIDE PLATE MOUNTS
D	F-HNF-08MF	8	MM FLHN 8.8 M8 X 1.25 PLT	SIDE PLATE MOUNTS
E	F-HNJ-05C	2	HN5 5/16-18 JAM NUT PLT	BALL STUD
E	F-LW-05	4	LW 5/16	BALL STUD
F	F-HC-08M025F	2	MM HC-8.8 M8 X 1.25 X 25 PLT	LADDER HANDLE
F	F-HNF-08MF	2	MM FLHN 8.8 M8 X 1.25 PLT	LADDER HANDLE

Model 2975H Hillco Leveling System
For Serial Numbers 2975H-1401 thru 2975H-1499

6 ELECTRICAL COMPONENTS



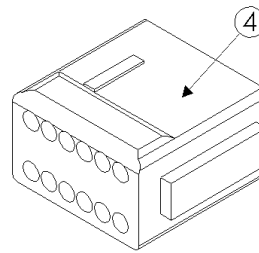
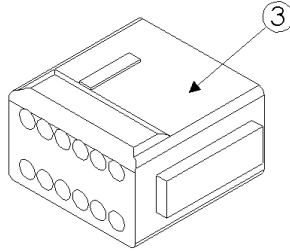
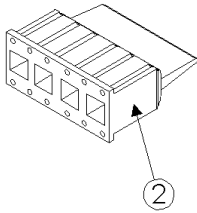
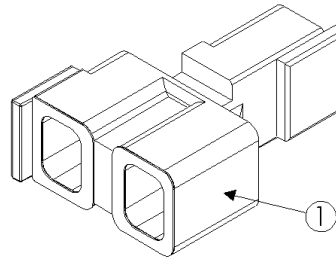
**CAB CONTROL MONITOR
(REAR VIEW)**



Model 2975H Hillco Leveling System
For Serial Numbers 2975H-1401 thru 2975H-1499

ELECTRICAL COMPONENTS				
REF.	PART NO.	QTY.	PART NAME	NOTES
ASM	LA-265802	1	EM ASM, CONTROLLER	
1	LM-260301	1	EM BOX, CONTROLLER MOUNT	
2	LP-234653	1	EM MOUNT, CONTROL BOX	
3	LA-260093	1	CONTROLLER	
4	LA-261191	1	EM ASM, CLINOMETER	**SEE NOTE BELOW DIAGRAM
..	EC-141841	2	EM CLINOMETER	
5	LM-255331	1	EM SHT, CLINOMETER MOUNT	
6	EC-100557	2	BODY, LIMIT SWITCH	
7	EC-100692	2	HEAD, LIMIT SWITCH STR PLUNGER	
8	EC-138781	7	STRAIN RELIEF, NYLON, BLK, 1/2 NPT	
9	EC-142121	5	STRAIN RELIEF NUT, 1/2" NYLON, BLK	
NS	LA-265831	1	EM WIRE ASM, Y-CONNECTOR	
..	EC-146481	1	BUZZER, PIEZO ELECTRIC	
ELECTRICAL FASTENERS				
A	F-PHM-#10C28	4	PHMS 10-24 X 1-3/4	LIMIT SWITCH MNT
A	F-HNF-#10C	4	HN 10-24, FLNG, SERR	LIMIT SWITCH MNT
B	F-HC5-04C12	3	HC5 1/4-20 X 3/4	PVC BOX TO BRACKET
B	F-LW-04	3	LW 1/4	PVC BOX TO BRACKET
C	F-PHM-#6C06	2	PHMS #6-32 X 3/8	CLINOMETER MNT TO PLATE
D	F-PHM-04C24	2	PHMS 1/4-20 X 1-1/2	CONTROLLER TO PVC BOX
D	F-HNF-04C	2	FLHN 1/4-20, SERR	CONTROLLER TO PVC BOX
E	F-PHM-04C36	2	PHMS 1/4-20 X 2-1/4	GROUNDING PLATE MOUNTING
E	F-HNF-04C	2	FLHN 1/4-20, SERR	GROUNDING PLATE MOUNTING
F	F-PHM-#10C16	1	PHMS 10-24 X 3/4	GROUNDING PLATE GROUND
F	F-HNF-#10C	1	HN5 10-24, FLNG, SERR	GROUNDING PLATE GROUND
F	F-HN-#10C	3	HN5 10-24	GROUNDING PLATE GROUND
G	F-PHM-#10C16	1	PHMS 10-24 X 1	Y-CONNECTOR TO GROUND
H	F-PHM-#6C08	2	PHMS #6-32 X 1/2	CLINOMETER MNT TO BOX
H	F-HNF-#6C	1	FLHN #6-32 SERR.	CLINOMETER MNT TO BOX
CAB CONTROL MONITOR				
REF.	PART NO.	QTY.	PART NAME	NOTES
ASM	LA-266031	1	EM ASM, CAB CONTROL MONITOR	
..	LM-265501X	1	EM MOUNT, DISPLAY	
..	LM-265511X	1	EM MOUNT, DISPLAY SPACER	
..	LA-265782	1	GRAPHICAL TERMINAL, S-D DP200	MOUNTING BRACKET, GASKET AND SCREWS, INCLUDED
..	LA-265581	1	EM CABLE ASM, CAB TO BOX	SEE PAGE 6-3
..	LA-265831	1	EM WIRE ASM, Y-CONNECTOR	SEE PAGE 6-3
..	EC-146481	1	BUZZER, PIEZO ELECTRIC	INCLUDED IN LA-265831
..	EC-146541	1	PLUG, GRAY, W/120 OHM RESISTOR	
CAB CONTROL MONITOR FASTENERS				
..	F-HCF-06M016E	2	FLHC-10.9 M6 X 1.0 X 16	GRAPHICAL TERMINAL MOUNTING
..	F-PHM-#10C08	1	PHMS 10-24 X 1/2	Y-CONNECTOR MOUNTING
..	F-HN-#10C	1	HN5 10-24	Y-CONNECTOR MOUNTING
..	EC-142101	1	CLAMP, HOSE 3/8" R/C W/ 3/8 HOLE	ELECTRICAL CABLE SUPPORT IN CAB

ELECTRICAL CABLES



#5 LA-268261
EM CABLE ASM, LIMIT SWITCH



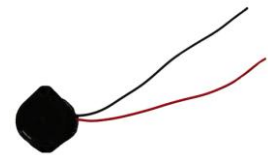
#7 LA-255821
EM ASM, CLINOMETER



#6 LA-255644
EM CABLE ASM,
BOX TO VALVE



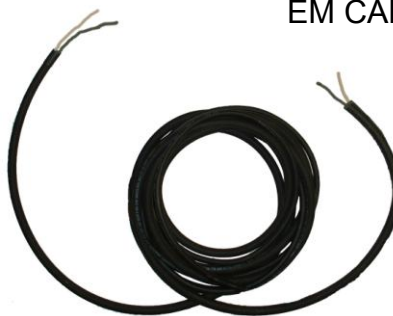
#8 LA-268351
EM CABLE ASM, MANIFOLD



#9 LA-265791
EM CABLE ASM, BUZZER



#10 LA-265581
EM CABLE ASM, CAB TO BOX

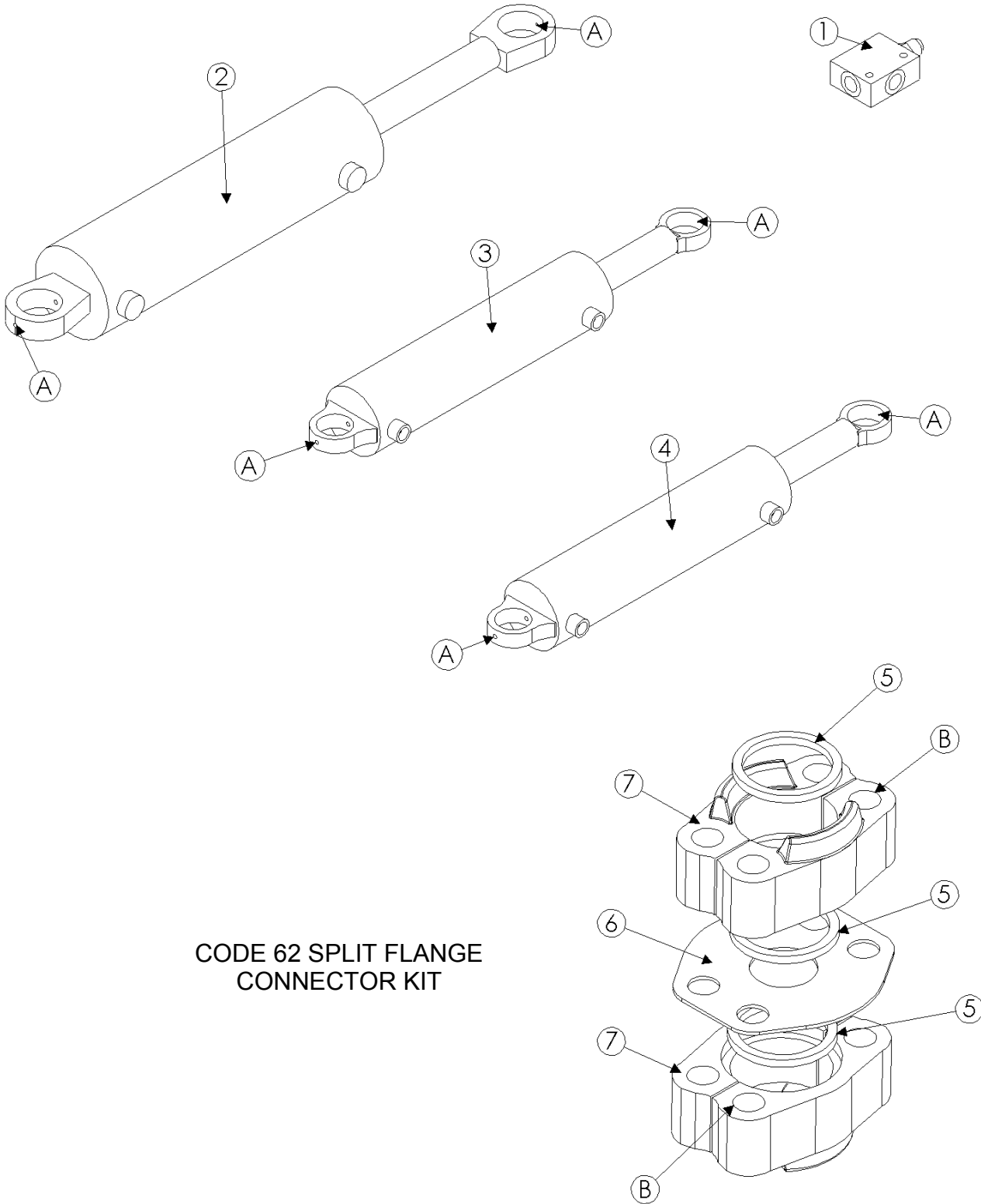


#11 LA-265772
EM CABLE ASM, POWER & GROUND

Model 2975H Hillco Leveling System
For Serial Numbers 2975H-1401 thru 2975H-1499

ELECTRICAL CONNECTORS				
REF.	PART NO.	QTY.	DESCRIPTION	NOTES
1	EC-146531	2	Y-CONNECTOR, BLACK	
2	EC-141741	4	DTM SERIES, 12-SOCKET WEDGE	
3	EC-141751	3	DTM SERIES, 12-SOCKET PLUG W/ A KEY	
4	EC-141761	1	DTM SERIES, 12-SOCKET PLUG W/ B KEY	
NS	EC-133281	2	DIODE, 6 AMP, 50 PIV, SILICON	
NS	EC-136941	5	CONNECTOR, PARALLEL, 16-14 GA.	
NS	EC-141771	23	DTM SERIES, SOCKET, CONTACT, STAMPED	
NS	EC-145671	10	DTM SERIES, PLUG, SEALING	
NS	EC-146501	1	CONNECTOR, STANDARD POWER STRIP	
NS	EC-146511	4	PLUG, GRAY, 2-SOCKET	
NS	EC-146521	4	WEDGE, BLACK, 2-SOCKET W/ B KEY	
NS	EC-146541	1	PLUG, GRAY, W/120 OHM RESISTOR	
NS	EC-146581	16	DTM SERIES, SOCKET CONTACT, SOLID	
NS	ET-ST-20#10	8	TERMINAL RING, #10, 20 GA., NON-INSULATED	
NS	ET-ST-2001	1	TERMINAL RING, 1/4, 20 GA., NON-INSULATED	
ELECTRICAL CABLES				
REF.	PART NO.	QTY.	DESCRIPTION	WHERE USED
5	LA-268261	2	EM CABLE ASM, LIMIT SWITCH	
6	LA-255644	1	EM CABLE ASM, BOX TO VALVE	
7	LA-255821	1	EM ASM, CLINOMETER	
8	LA-268351	1	EM ASM, MANIFOLD	
9	LA-265791	1	EM CABLE ASM, BUZZER	
10	LA-265581	1	EM CABLE ASM, CAB TO BOX	
11	LA-265772	1	EM CABLE ASM, POWER & GROUND	

7 HYDRAULICS

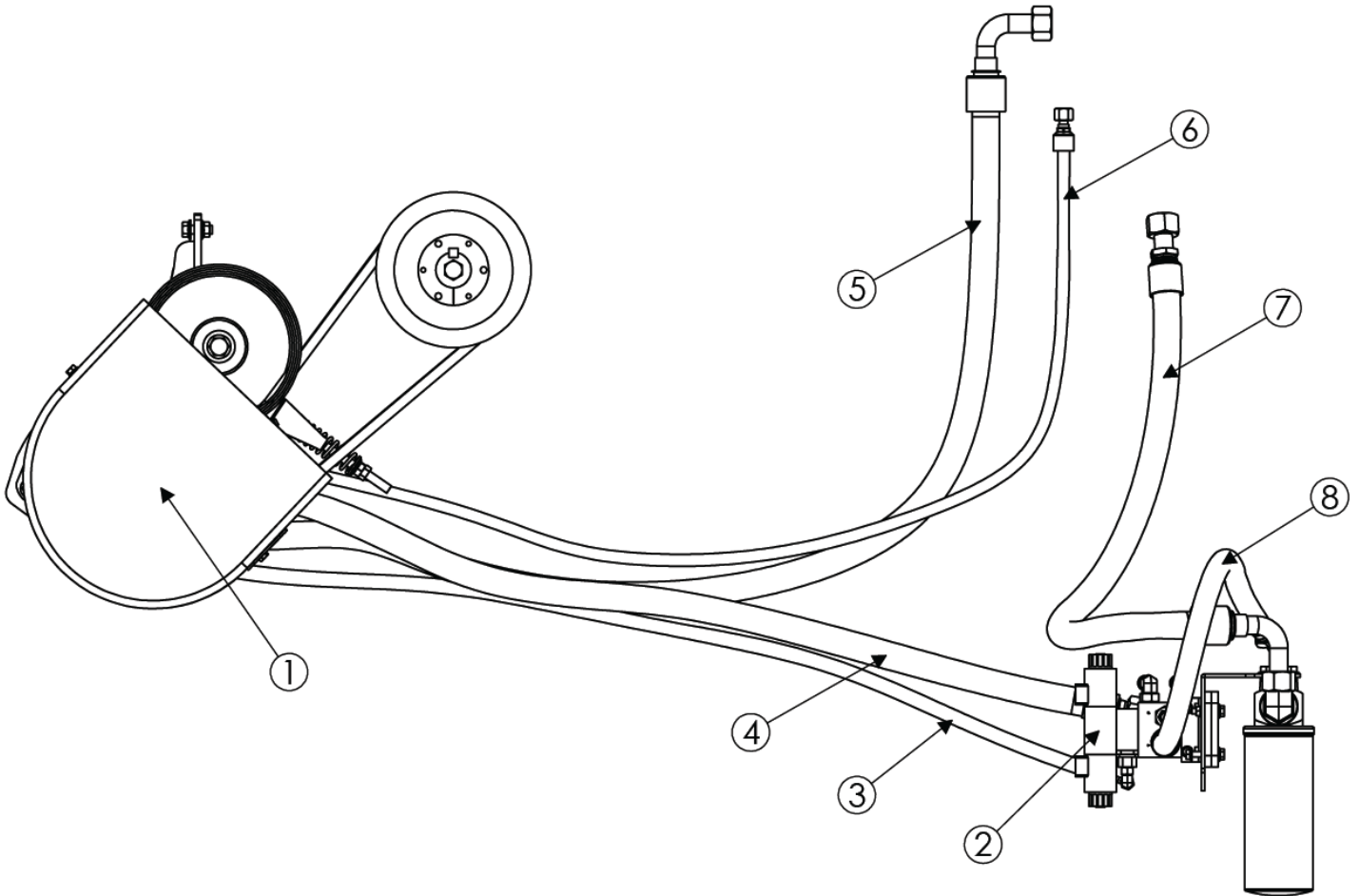


CODE 62 SPLIT FLANGE
CONNECTOR KIT

Model 2975H Hillco Leveling System
For Serial Numbers 2975H-1401 thru 2975H-1499

HYDRAULIC COMPONENTS				
REF.	PART NO.	QTY.	DESCRIPTION	NOTES
1	HC-139151	2	VALVE, 3-PORT COUNTERBALANCE	
..	HC-139181	2	BODY, COUNTERBALANCE VALVE	
..	HC-139161	2	CARTRIDGE, COUNTERBALANCE VALVE	
NS	HC-140361	2	SEAL KIT, COUNTERBALANCE VALVE	
2	HC-147511	2	CYLINDER, MAIN	
NS	HC-134251	2	SEAL KIT, MAIN CYLINDER	
3	HC-140342	1	CYLINDER, MASTER	
NS	HC-143201	1	SEAL KIT, MASTER CYLINDER	
4	HC-138582	1	CYLINDER, SLAVE	
NS	HC-134191	1	SEAL KIT, SLAVE CYLINDER	
HYDRAULIC FASTENERS				
REF.	PART NO.	QTY.	DESCRIPTION	WHERE USED
A	F-SSS-04F04	8	SET SECREW, SOCKET 1/4-28 X 1/4	ALL CYLINDERS
CODE 62 SPLIT FLANGE CONNECTOR KIT ASSEMBLY (WITH FASTENERS)				
ASM	HC-101843	2	CODE 62 SLT FLNG CONNECTOR KIT WITH O-RINGS	FWD AND REAR PROPULSION HOSE
ONE HC-101843 KIT INCLUDES				
5	HC-147551	3	O-RING, CODE 62 CONNECTOR	
6	LM-272241	1	PLATE, CODE 62	
7	HC-137901	2	CODE 62, #16 SPLIT FLANGE KIT	
B	F-HC8-07C44	4	HC8 7/16 X 2-3/4	CODE 62 SPLIT FLANGE KIT
B	F-HN8-07C	4	HN8 7/16-14	CODE 62 SPLIT FLANGE KIT
CODE 62 SPLIT FLANGE CONNECTOR KIT ASSEMBLY - PRO-DRIVE				
NS	LM-272161	2	HM PLT, CODE 62 1-1/4 UNION	
NS	HC-147621	4	O-RING, CODE 62 1-1/4"	HYDRO HOSE EXTENSIONS
NS	F-HC-14M090E	8	HC-10.9 M14 X 2.0 X 90	ELBOW TO ROTATIONAL ADAPTER
NS	F-HNS-14ME	8	HN-10.9 M14 X 2.0 STV	CODE 62 UNION

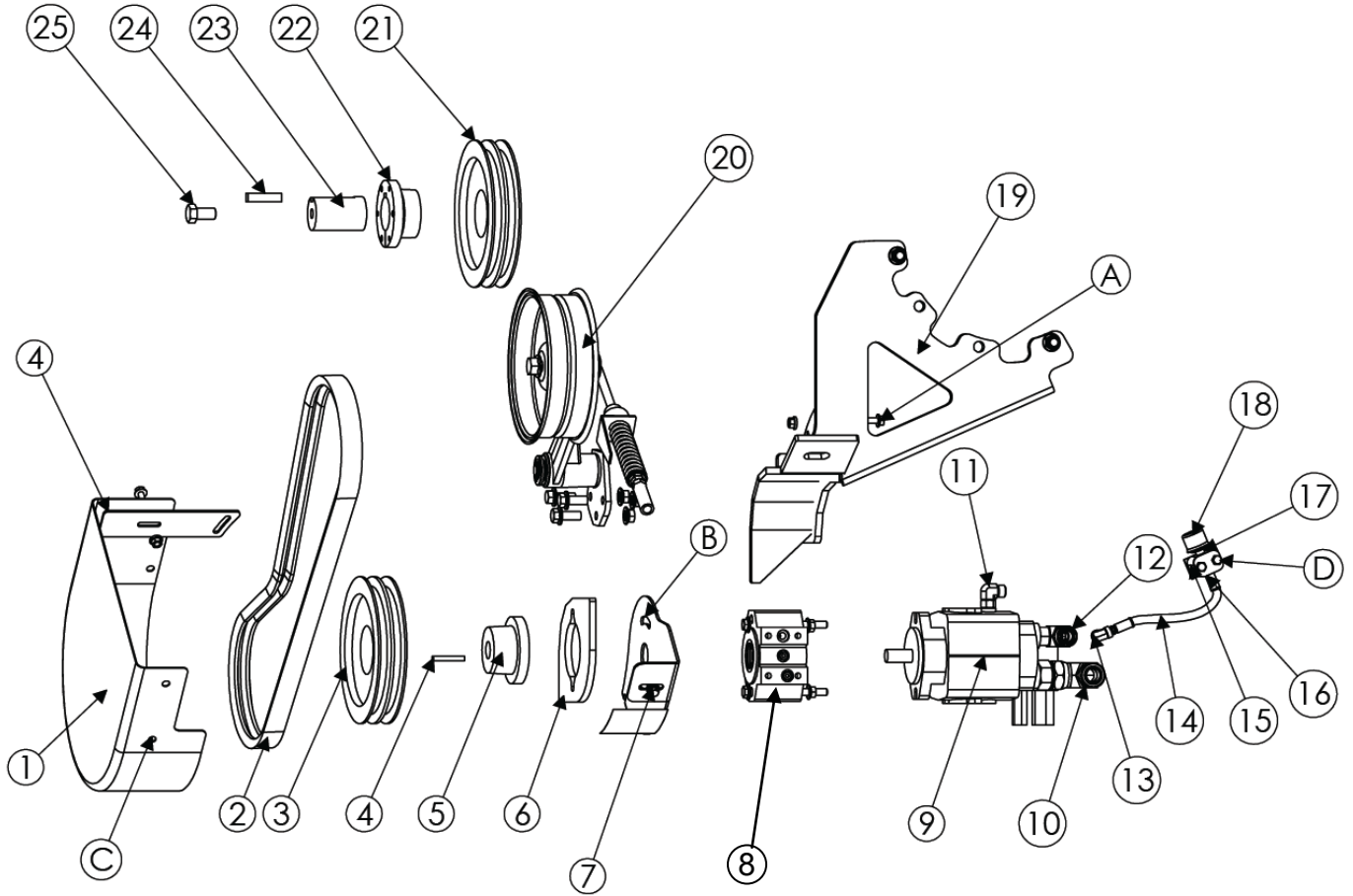
PFC PUMP AND LEVELING MANIFOLD ASSEMBLY



PFC PUMP OPTION COMPONENTS				
REF.	PART NO.	QTY.	PART NAME	NOTES
1	LA-263452	1	PFC PUMP ASSEMBLY	SEE PAGE 7-4
2	LA-263701	1	LEVELING MANIFOLD AND FILTER ASSEMBLY	SEE PAGE 7-7
3	LA-145721	1	1/4" 100R2 HOSE 63 IN #4 FORS X #4 FORS 90°	LOAD SENSE LINE
4	LA-145732	1	3/4" 100R2 HOSE 70 IN #12 FORS X #12 FORS	PRESSURE FROM PUMP TO MANIFOLD
5	LA-145741	1	1" 100R16 (1M2T) HOSE 62 IN #16 FORS X #16 FORS 90°	PUMP SUCTION
6	LA-134872	1	3/8" 100R2 HOSE 72 IN #6 FORS X #6 FORS 90°	PUMP CASE DRAIN TO RESERVOIR
7	LA-263571	1	1" 100R1 HOSE 36" #16 FORS X #16 FORS 90°	FILTER HOUSING OUTLET TO RESERVOIR
8	LA-263562	1	3/4" 100R2 HOSE 30" #12 FORS X #12 FORS 45°	MANIFOLD "T" PORT TO FILTER HOUSING INLET

Model 2975H Hillco Leveling System
For Serial Numbers 2975H-1501 thru 2975H-1599

PFC PUMP ASSEMBLY

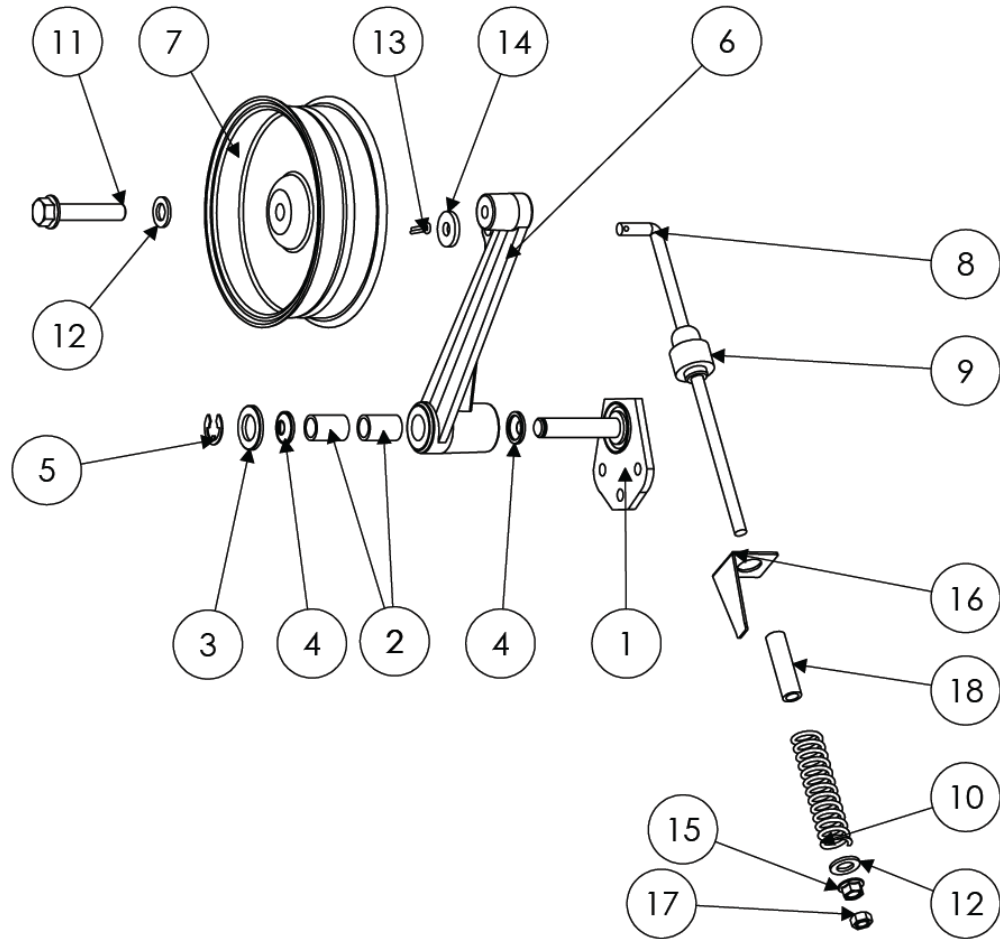


Model 2975H Hillco Leveling System
For Serial Numbers 2975H-1501 thru 2975H-1599

PFC PUMP OPTION COMPONENTS				
REF.	PART NO.	QTY.	PART NAME	NOTES
ASM	LA-263452	1	HM ASM, PFC PUMP/IDLER	
1	MC-145851	1	CAP-CHOPPER COUNTERSHAFT	
2	MC-145781	2	DRIVE BELT	GATES 5VX750
3	LA-289261	1	HA ASM, DRIVEN SHIEVE	8.5" 2 GROOVE 5VX SHIEVE
4	F-KST-04X04X30	1	KEY, STR, 1/4" X 1-7/8	
5	MC-103071	1	DRIVEN SHIEVE HUB	
6	LP-263381	1	HM MOUNT, PFC PUMP	
7	LP-264082	1	HM PLT, MOUNT CAP	
8	HC-141531X	1	ADAPTER, OVER-HUNG LOAD (300 SERIES)	HM ASM, PFC PUMP
NS	LA-297731	-	OVER HUNG LOAD ADAPTER REBUILD KIT	
9	HC-133151	1	PUMP, HYDRAULIC PFC-116	HM ASM, PFC PUMP
10	HA-L-16FF16MF	1	#16 MORS X #16 FORS 90 DEGREE	
11	HA-L-6MF6MO	1	#6 MORB X #6 MORS 90°	
12	HA-S-12MO16MF	1	#12 MORB X #16 MORS STR.	
13	HA-L-4MO2FT	1	ADAPTER, ELBOW, 90°	
14	LA-133332	1	HOSE, SAE 30R7 FUEL LINE 3/16" 14" (NO ENDS)	
15	HC-145881	1	BEHRINGER STD CLAMP (.500 DIA)	
16	HC-145891	1	BEHRINGER STD COVER PLATE	
17	HA-U-2FP2FP	1	ADAPTER, UNION, STEEL	
18	HC-143251	1	METAL FILTER BREATHER, 10 MICRON	
19	LA-263432	1	HM ASM, MOUNT (PFC PUMP)	
20	LA-263371	1	IDLER ASM	SEE PAGE 28 FOR DETAILED VIEW
21	MC-103069	1	8.5" 2 GROOVE 5VX SHIEVE	
22	MC-103114	1	HUB, SK-1-15/16	
23	LM-263631	1	HM SHAFT, DRIVER (PFC PUMP)	RND STPRF G&P 1-15/16
24	LS-263861	1	HM KEY, PUMP DRIVE HUB	SQ 1018 CD 1/2 X 1/2
25	F-HC-16M030E	1	HC 10.9 M16 X 2 X 30	FASTENS DRIVE HUB
PFC PUMP OPTION FASTENERS				
REF.	PART NO.	QTY.	PART NAME	WHERE USED
A	F-HCF-12M030E	3	FLHC 10.9 M12 X 1.5 X 30	IDLER ARM ASM TO BRACKET
A	F-HNF-12ME	3	FLHN 10.9 M12 X 1.75	IDLER ARM ASM TO BRACKET
B	F-HCF-10M120E	2	FLHC 10.9 M10 X 1.50 X 120	PUMP/OHLA TO BRACKET
B	F-HNF-10ME	2	FLHN 10.9 M10 X 1.5	PUMP/OHLA TO BRACKET
C	F-HCF-08M020E	3	FLHC 10.9 M8 X 1.25 X 20	CAP TO MOUNTING BRACKET
C	F-HNF-08ME	3	FLHN 10.9 M8 X 1.25	CAP TO MOUNTING BRACKET
D	F-HC5-04C24	2	HC5 1/4-20 X 1-1/2	BEHRINGER CLAMP FOR OHLA BREATHER HOSE

Model 2975H Hillco Leveling System
 For Serial Numbers 2975H-1501 thru 2975H-1599

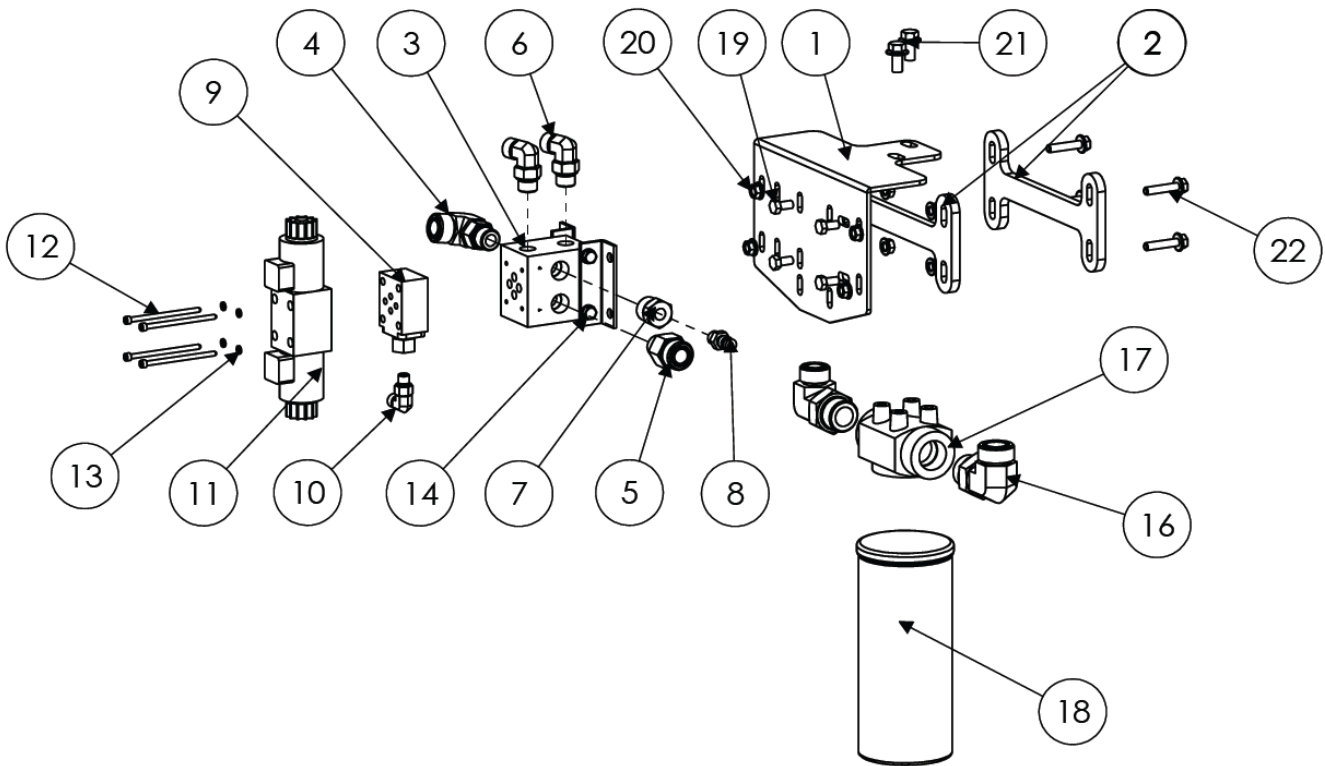
PFC PUMP IDLER ASSEMBLY



REF.	PART NO.	QTY.	PART NAME
1	MC-145531	1	PIN, PIVOT ASM
2	MC-145541	2	BUSHING (H171061)
3	MC-145551	1	WASHER, METALLIC, ROUND HOLE (24M7091)
4	MC-145561	2	SEAL (AA5607R)
5	F-SRE-14E	1	E-STYLE RETAINING RING 7/8 SHAFT
6	MC-145521	1	ARM (AH202772)
7	MC-145571	1	IDLER (AH204389)
8	MC-145581	1	HOOK BOLT (H118948)
9	MC-145591	1	PIVOT (H170141)

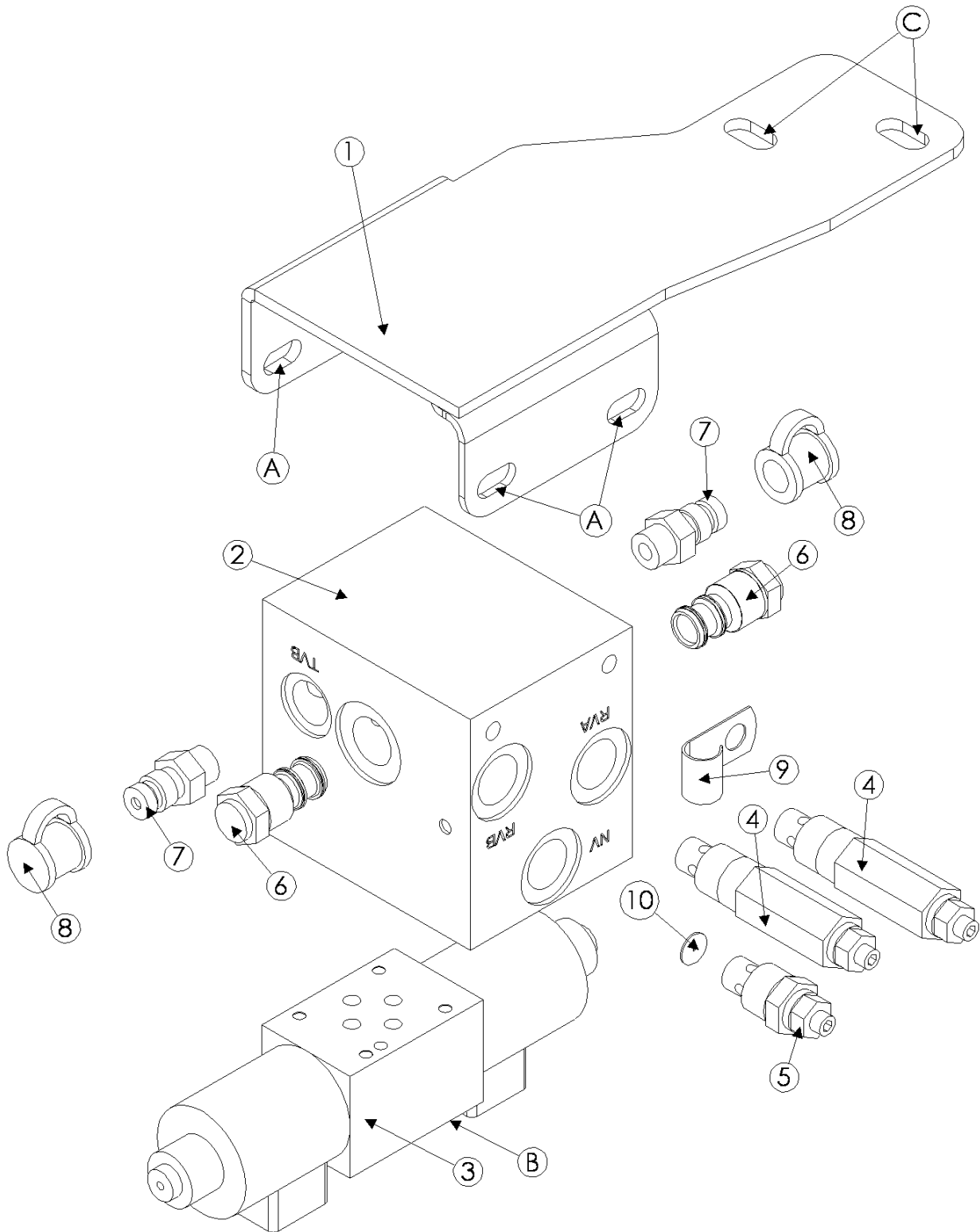
Model 2975H Hillco Leveling System
 For Serial Numbers 2975H-1501 thru 2975H-1599

PFC LEVELING MANIFOLD



REF.	PART NO.	QTY.	DESCRIPTION
1	LP-263312	1	MOUNT, MANIFOLD
2	LP-263321	2	PLATE, BACKING
3	HC-138861	1	DO3 Parallel MANIFOLD (1 Station)
4	HA-L-12MF10MO	1	#10 MORB X #12 MORS 90°
5	HA-S-12MF10MO	1	#10 MORB X #12 MORS STRAIGHT
6	HA-L-8MF8MO	2	#8 MORS X #8 MORB 90°
7	HA-S-6FO10MO	1	#6 FORB X #10 MORB STRAIGHT
8	HC-143991	1	COUPLER, QUICK-CONNECT HYD
9	HC-101264	1	LOAD SENSE SHUTTLE
10	HA-L-4MF4MO	1	#4 MORB X #4 MORS 90°
11	HC-140411	1	VALVE, PRO DIRECTIONAL, D03
12	F-SHC-#10C-52	4	SOCKET HEAD CAP SCREW, COURSE, #10 X 52
13	F-LW-#10	4	WASHER, LOCK, SPLIT RING, #10
14	F-HCF-05C08	4	SCREW, FLANGED HEX CAP, GR5, COURSE, 5/16 X 1/2
15	HA-L-16MO12MF	1	#16 MORB X #16 MORS 90°
16	HA-L-16MF16MO	1	#16 MORS X #16 MORB 90°
17	FILTERHEAD	1	JOHN DEERE PART NO. AH227847
18	FILTER	1	JOHN DEERE PART NO. AH128449
19	F-HC-8M016F	4	HEX CAP SCREW, METRIC, 8MM X 16MM
20	F-HNF-08ME	8	NUT, FLANGED HEX, 8 MM
21	F-HCF-10M020E	2	SCREW, FLANGED HEX CAP, 10MM X 20MM
22	F-HCF-08M040E	4	SCREW, FLANGED HEX CAP, 8MM X 40MM

Model 2975H Hillco Leveling System
For Serial Numbers 2975H-1401 thru 2975H-1499
HYDRAULIC TRIM MANIFOLD



Model 2975H Hillco Leveling System
For Serial Numbers 2975H-1401 thru 2975H-1499

MANIFOLD COMPONENTS				
REF.	PART NO.	QTY.	DESCRIPTION	NOTES
ASM	LA-263723	1	MANIFOLD ASM, TRIM	
1	LA-263521	1	HM ASM, MOUNT (TRIM MANIFOLD)	
2	HC-145441	1	MANIFOLD, CUSTOM TRIM	
3	HC-143011	1	VALVE, DIRECTIONAL CONTROL, BANG/BANG	
4	HC-145431	2	RELIEF, POPPET DIRECT ACTING	
5	HC-145501	1	VALVE, NEEDLE	
6	HC-145511	2	PILOT OPERATED CHECK	
7	HC-143991	2	HYDRAULIC QUICK-CONNECT COUPLER	JD P/N AH125760
8	HC-144001	2	COVER, DUST	JD P/N R77175
9	HC-146661	1	CLAMP, COATED J	JD P/N T32231
10	LM-265561	1	ORIFICE, NEEDLE VALVE	
NS	MC-100764	1	LOOM, SPIRAL	
MANIFOLD FASTENERS				
REF.	PART NO.	QTY.	DESCRIPTION	WHERE USED
A	F-HCF-05C08	4	FLHC 5/16-18 X1/2	MANIFOLD TO MANIFOLD MOUNT
B	F-SHC-#10C28	4	SHCS 10-24 X 1-3/4	DIRECTIONAL CONTROL TO MANIFOLD
B	F-LW-#10	4	LW #10	DIRECTIONAL CONTROL TO MANIFOLD
B	F-SHC-#10C32	4	SHCS 10-24 X 2	DIRECTIONAL CONTROL TO MANIFOLD
C	F-HC5-05C08	4	HC5 5/16-18 X 1/2	MOUNTING TRIM MANIFOLD TO BRACKET

Model 2975H Hillco Leveling System
For Serial Numbers 2975H-1401 thru 2975H-1499

HYDRAULIC HOSES

HYDRAULIC HOSES				
REF.	PART NO.	QTY.	DESCRIPTION	NOTES
LEVELING HOSES				
NS	LA-272762	1	3/8" 100R2 49" #6 FORS X #8 FORS 90°	LEFT PILOT OPERATED CHECK VALVE #3 TO RIGHT PILOT OPERATED CHECK VALVE #2
NS	LA-271862	1	1/2" 100R2 53.5" #8 FORS X #8 FORS 90°	RIGHT PILOT OPERATED CHECK VALVE #2 TO LEFT MAIN CYLINDER ROD
NS	LA-271882	1	1/2" 100R2 55" #8 FORS X #8 FORS 90°	LEFT PILOT OPERATED CHECK VALVE #2 TO RIGHT MAIN CYLINDER ROD
NS	LA-272751	1	3/8" 100R2 HOSE 21" #6 FORS X #8 FORS	RIGHT PILOT OPERATED CHECK VALVE #3 TO RIGHT MAIN CYLINDER ROD
NS	LA-272571	1	1/2" 100R2 252" #8 FORS 90° X #8 FORS	LEVELING VALVE PORT "A" TO LEFT MAIN LEVELING ROD
NS	LA-272571	1	1/2" 100R2 252" #8 FORS X #8 FORS 90°	LEVELING VALVE PORT "B" TO LEFT MAIN LEVELING CYLINDER PILOT OPERATED CHECK VALVE #2
TRIM HOSES				
NS	LA-139141	2	1/4" 100R2 110-1/2" #4 FORS X #4 FORS	BASE PORT OF MASTER CYLINDER MARKED "B" & ROD PORT OF MASTER CYLINDER MARKED "R"
NS	LA-139113	2	1/4" 100R2 54" #4 FORS X #4 FORS	MANIFOLD "B" PORT TO BASE PORT & MANIFOLD "A" PORT TO ROD PORT
NS	LA-139532	1	1/4" 100R2 260" #4 FORS X #6 FORS	SLAVE BASE TO TEE MARKED "B"
NS	LA-139542	1	1/4" 100R2 273" #4 FORS X #6 FORS	SLAVE ROD TO TEE MARKED "R"
GREASE HOSES				
NS	LA-138951	1	3/16 R1 40" 1/8 MPT X 1/8 MPT	RIGHT HAND MAIN LEVELING CYLINDER TO BULKHEAD #1
NS	LA-138963	1	3/16 R1 54" 1/8 MPT X 1/8 MPT	MAIN PIVOT TO BULKHEAD #3
NS	LA-138943	1	3/16 R1 25" 1/8 MPT X 1/8 MPT	MASTER BASE TO BULKHEAD #4
NS	LA-138974	2	3/16 R1 77" 1/8 MPT X 1/8 MPT	LEFT HAND MAIN LEVELING CYLINDER BASE TO BHEAD #2 & MASTER CYLINDER ROD END
PUMP & MANIFOLD HOSES				
NS	LA-263571	1	1" 100R1 36" #16 FORS X #16 FORS 90°	RETURN LINE FROM FILTER OUTLET TO RESERVOIR
HYDRO HOSES				
NS	LA-273301	1	1 100R15 89" CODE 62 SPLT FLNG 90° SHORT DROP X CODE 62 SPLT FLNG STR	HYDROSTAT FRONT HOSE
NS	LA-140383	1	1 100R15 79" CODE 62 SPLT FLNG 90° SHORT DROP X CODE 62 SPLT FLNG STR	HYDROSTAT REAR HOSE
NS	LA-140402	1	3/4 100R1 HOSE 80" #12 MORS X #12 FORS	HYDRO MOTOR CASE DRAIN
NS	LA-274141	1	1-1/4" 100R15 124" CODE 62 SLT FLNG 90° XR X CODE 62 SPLT FLNG STR	HYDROSTAT REAR
NS	LA-274151	1	1-1/4" 100R15 124" CODE 62 SLT FLNG 90° MR X CODE 62 SPLT FLNG STR	HYDROSTAT FORWARD
NS	LA-274111	1	3/4 100R1 HOSE 24" #16 MORS STR X #16 FORS STR	HYDRO MOTOR CASE DRAIN

Model 2975H Hillco Leveling System
 For Serial Numbers 2975H-1401 thru 2975H-1499

HYDRAULIC HOSES (CONTINUED)

PROPORTIONATOR HOSES				
NS	LA-273461	2	3/8 100R2 15" #8 FORS X #8 MORS	EXTENDS REAR FILTER LINE & FILTER TO VAVLE BLOCK
NS	LA-273861	1	3/8" 100R2 15" #6 FORS X #6 MORS	EXTENDS LUBE LINE PRO-DRIVE
NS	LA-274161	1	3/8" 100R2 48" #6 FORS 90° X #6 FORS	CASE DRAIN PROPORTIONATOR PUMP
NS	LA-274171	1	3/4" 100R2 16" #12 MORS X #12 FORS 90°	EXTENDS PROP MOTOR RETURN
NS	LA-274181	1	1" 100R4 35" #16 FORS X #16 FORS	SUCTION AST PUMP
NS	LA-274191	1	5/8" 100R2 16" #10 MORS X #10 FORS 90°	EXTENDS PROP MOTOR SUPPLY
NS	LA-274211	1	5/8" 100R2 62" #12 FORS X #10 FORS 90°	PROPORTIONATOR PUMP TO FILTER
BRAKE HOSES				
NS	LA-273861	2	3/8" 100R2 15" #6 FORS X #6 MORS	EXTENDS BRAKE LINES

Model 2975H Hillco Leveling System
 For Serial Numbers 2975H-1401 thru 2975H-1499

HYDRAULIC ADAPTERS

HYDRAULIC ADAPTERS				
REF.	PART NO.	QTY.	DESCRIPTION	NOTES
MAIN CYLINDER ADAPTERS				
NS	HA-L-8MF8MO	4	#8 MORS X #8 MORB 90°	LEFT PILOT OPERATED CHECK VALVE #2 & LEFT CYLINDER ROD
NS	HA-K-8MF8MO	1	#8 MORB X #8 MORS BRANCH TEE	RIGHT PILOT OPERATED CHECK VALVE #2
NS	HA-M-8F	3	#8 ORS SWIVEL NUT RUN TEE	LEFT PILOT OPERATED CHECK VALVE #2 & LEFT & RIGHT MAIN CYLINDER ROD
NS	HA-L-6MF6MO	2	#6 MORB X #6 MORS 90°	LEFT & RIGHT PILOT OPERATED CHECK VALVE #3
NS	HA-S-8MF8MO	1	#8 MORS X #8 MORB STR	RIGHT MAIN CYLINDER ROD
MASTER CYLINDER ADAPTERS				
NS	HA-L-4MF6MO	2	#4 MORS X #6 MORB 90°	MASTER CYLINDER ROD AND BASE
SLAVE CYLINDER ADAPTERS				
NS	HC-147491	1	CYLINDER, SLAVE, SPHERICAL BEARINGS BOTH ENDS	
NS	HA-L-6MF6MO	2	#6 MORS X #6 MORB 90°	SLAVE ROD PORT
GREASE FITTINGS ADAPTERS				
NS	HC-138011	5	1/4-28 STRAIGHT ZERK	ALL GREASE LINES
NS	HC-135881	1	1/4-28 MALE X 1/8 FPT STR	MASTER ROD
NS	HC-135771	3	1/4-28 MALE X 1/8 FPT 90°	MASTER CYLINDER BASE & MAIN LEVELING CYLINDER BASE
NS	HA-S-2FP2MN	6	1/8" NPSM X 1/8" FPT BULKHEAD CONNECTOR	GREASE BULKHEAD MOUNT & MAIN PIVOT PIN
NS	HA-NJ-2FN	5	1/8" NPSM BULKHEAD LOCKNUT	BULKHEAD CONNECTOR
MANIFOLD ADAPTERS				
NS	HA-L-4MF4MO	2	#4 MORB X #4 MORS 90°	"A" AND "B" PORTS
NS	HA-S-8MF8MO	2	#8 MORB X #8 MORS STR	"P" AND "T" PORTS
USED ON JOHN DEERE CONTOUR MASTER HOSES IF COMBINE ALREADY HAS CONTOUR MASTER				
NS	HA-E-6MF	1	#6 MORS PLUG	TO CAP OFF MANIFOLD PORTS
NS	HA-E-4MF	2	#4 MORS PLUG	TO CAP OFF MANIFOLD PORTS

Model 2975H Hillco Leveling System
For Serial Numbers 2975H-1401 thru 2975H-1499

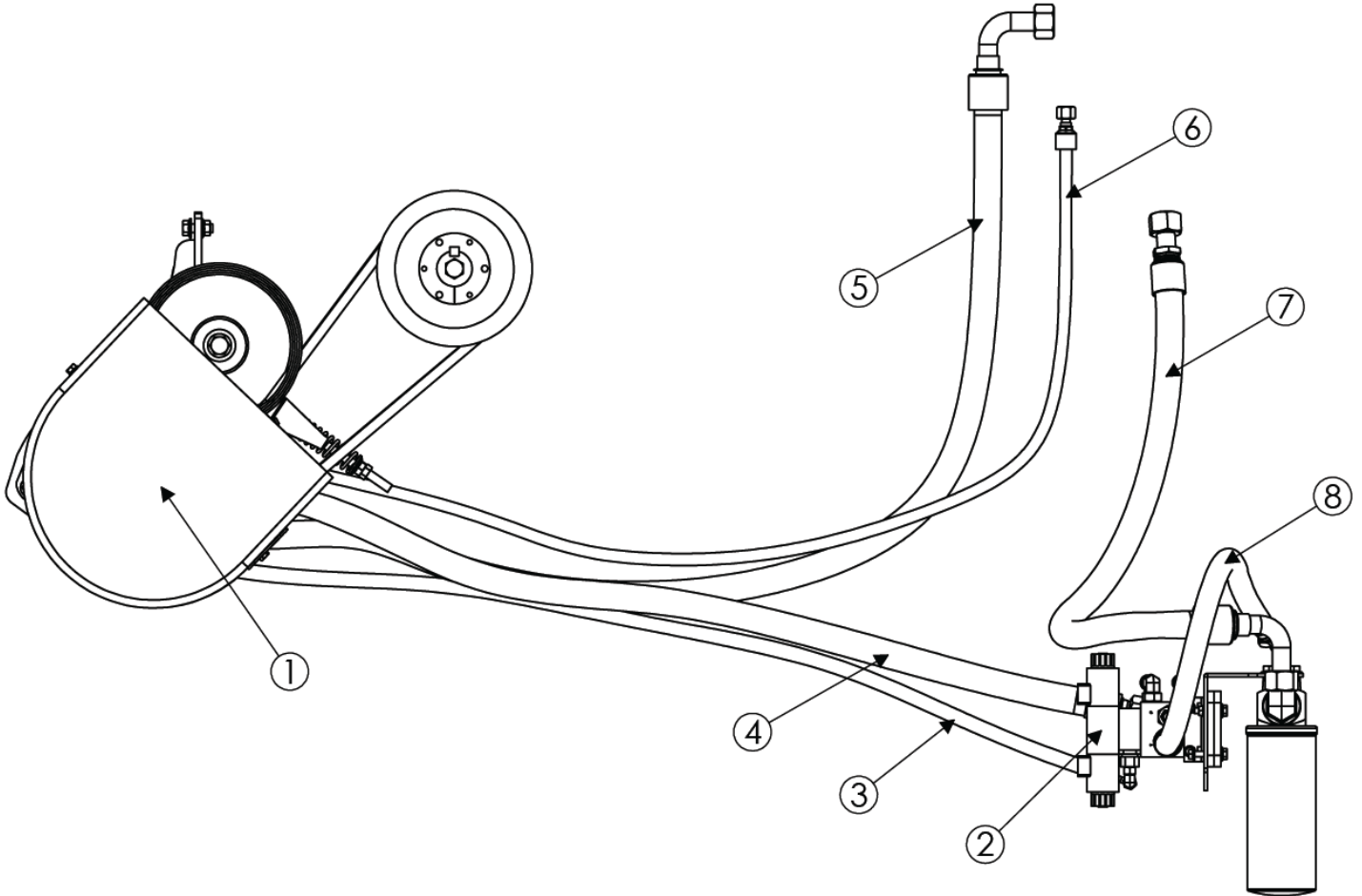
8 MISCELLANEOUS

HYDRAULIC COMPONENTS				
REF.	PART NO.	QTY.	DESCRIPTION	NOTES
NS	D-050611SLR01	1	WARRANTY REG CARD	
NS	D-050628LJH01A	3	2955S-70S DEALER PDI & INSTALL CHECKLIST	
NS	D-090316DJC01A	1	2975H OPERATOR'S MANUAL	
NS	D-090721ADL01A	1	2975H PARTS MANUAL	
NS	LA-256001	1	TAG, SERIAL NUMBER 2970H	
NS	LL-133741	4	LABEL, GREASE 50 HRS	MAIN CYLINDERS, MASTER CYLINDER, OVERCARRIAGE BULKHEAD, UNDERCARRIAGE BULKHEAD
NS	LL-142091	2	DECALS, JD HILLSIDE LEV SYSTEM	GULL WING DOORS
NS	LL-143621	2	DANGER, AVOID CRUSHING INJURY	IN AREA NEAR SAFETY STOP STORAGE LOCATION
NS	LL-147651	1	LABEL, FEMA MEMBER TAG	NEAR SERIAL NUMBER TAG
NS	LL20-100782	1	CAUTION - LEVELING SYSTEM CAB	WINDOW IN CAB (PKG)
NS	LL20-100783	6	DANGER - CRUSHING HAZARD	DROP AXLE, UNDERCARRIAGE (FRONT & BACK)
NS	LL20-100784	2	DECAL, DANGER PINCH POINT	RH & LH UPPER TRANS FACE PLT
NS	LL20-100785	1	CAUTION - MOVING STEP	ON LADDER CHANNEL
NS	LL20-100787	1	CAUTION - LEVELING SYSTEM HAZARD	ON LADDER CHANNEL
NS	LL20-100788	3	DANGER - HYDAULIC HAZARD	ABOVE THE HYDRAULIC MANIFOLD, MAIN CYLINDERS
NS	LL-239412	1	LABEL, STEERING WHEEL	TIED TO STEERING WHEEL DURING INSTALLATION

9 PART NUMBER INDEX

PART NO.	PAGE	PART NO.	PAGE	PART NO.	PAGE
D-050611SLR01	8-1	F-HCF-06M016E	6-2	HA-K-8MF8MO	7-7
D-050628LJH01A	8-1	F-HCF-08M035F	5-2	HA-L-4MF4MO	7-7
D-090316DJC01A	8-1	F-HCF-10M020E	3-4	HA-L-4MF6MO	7-7
D-090721ADL01A	8-1	F-HCF-10M020F	2-4	HA-L-6MF6MO	7-7
EC-100557	6-2	F-HCF-12M020E	2-4	HA-L-8MF8MO	7-7
EC-100692	6-2	F-HCF-12M040F	3-4	HA-M-8F	7-7
EC-133281	6-4	F-HCF-12M080E	2-4	HA-NJ-2FN	7-7
EC-136941	6-4	F-HCF-16M050E	4-2	HA-S-2FP2MN	7-7
EC-138781	6-2	F-HCF-8M030F	3-4	HA-S-8MF8MO	7-7
EC-141741	6-4	F-HN-#10C	6-2	HC-101843	7-2
EC-141751	6-4	F-HN8-07C	7-2	HC-134191	7-2
EC-141761	6-4	F-HNF-#10C	6-2	HC-134251	7-2
EC-141771	6-4	F-HNF-#6C	6-2	HC-135771	7-7
EC-141841	6-2	F-HNF-04C	6-2	HC-135881	7-7
EC-142101	6-2	F-HNF-08MF	3-4, 5-2	HC-137901	7-2
EC-142121	6-2	F-HNF-10MF	2-4	HC-138011	7-7
EC-145671	6-4	F-HNJ-05C	5-2	HC-138582	7-2
EC-146481	6-2	F-HNS-12C	2-4	HC-139151	7-2
EC-146501	6-4	F-HNS-12ME	3-4, 5-2	HC-139161	7-2
EC-146511	6-4	F-HNS-14ME	7-2	HC-139181	7-2
EC-146521	6-4	F-HNS-16ME	2-4	HC-140313	7-2
EC-146531	6-4	F-HNSF-12ME	2-4	HC-140342	7-2
EC-146541	6-2, 6-4	F-LW-#10	7-4	HC-140361	7-2
EC-146581	6-4	F-LW-04	6-2	HC-143011	7-4
ET-ST-20#10	6-4	F-LW-05	5-2	HC-143201	7-2
ET-ST-2001	6-4	F-LW-08A	2-4	HC-143991	7-4
F-CB-10M030F	2-4	F-MB-14NR40	2-4	HC-144001	7-4
F-FHS-8M016E	2-4	F-PHM-#10C08	6-2	HC-145431	7-4
F-FWH-12	2-4	F-PHM-#10C16	6-2	HC-145441	7-4
F-HC-08M025F	5-2	F-PHM-#10C28	6-2	HC-145501	7-4
F-HC-12M030F	5-2	F-PHM-#6C06	6-2	HC-145511	7-4
F-HC-12M050F	5-2	F-PHM-#6C08	6-2	HC-146661	7-4
F-HC-12M065F	5-2	F-PHM-04C24	6-2	HC-147491	2-2, 7-7
F-HC-14M090E	7-2	F-PHM-04C36	6-2	HC-147501	3-2
F-HC-16M050E	2-4	F-PSL-04X48	3-4	HC-147511	3-2
F-HC-16M120E	2-4	F-SHC-#10C28	7-4	HC-147551	7-2
F-HC5-04C12	6-2	F-SHC-#10C32	7-4	HC-147621	7-2
F-HC5-05C08	7-4	F-SHC-10M070F	2-4	LA-138943	7-5
F-HC8-07C44	7-2	F-SSS-04F04	3-4, 7-2	LA-138951	7-5
F-HC8-08F20	2-4	F-UDS-#7X06	3-4	LA-138963	7-5
F-HC8-12C48	2-4	HA-E-4MF	7-7	LA-138974	7-5
F-HCF-05C08	7-4	HA-E-6MF	7-7	LA-139113	7-5

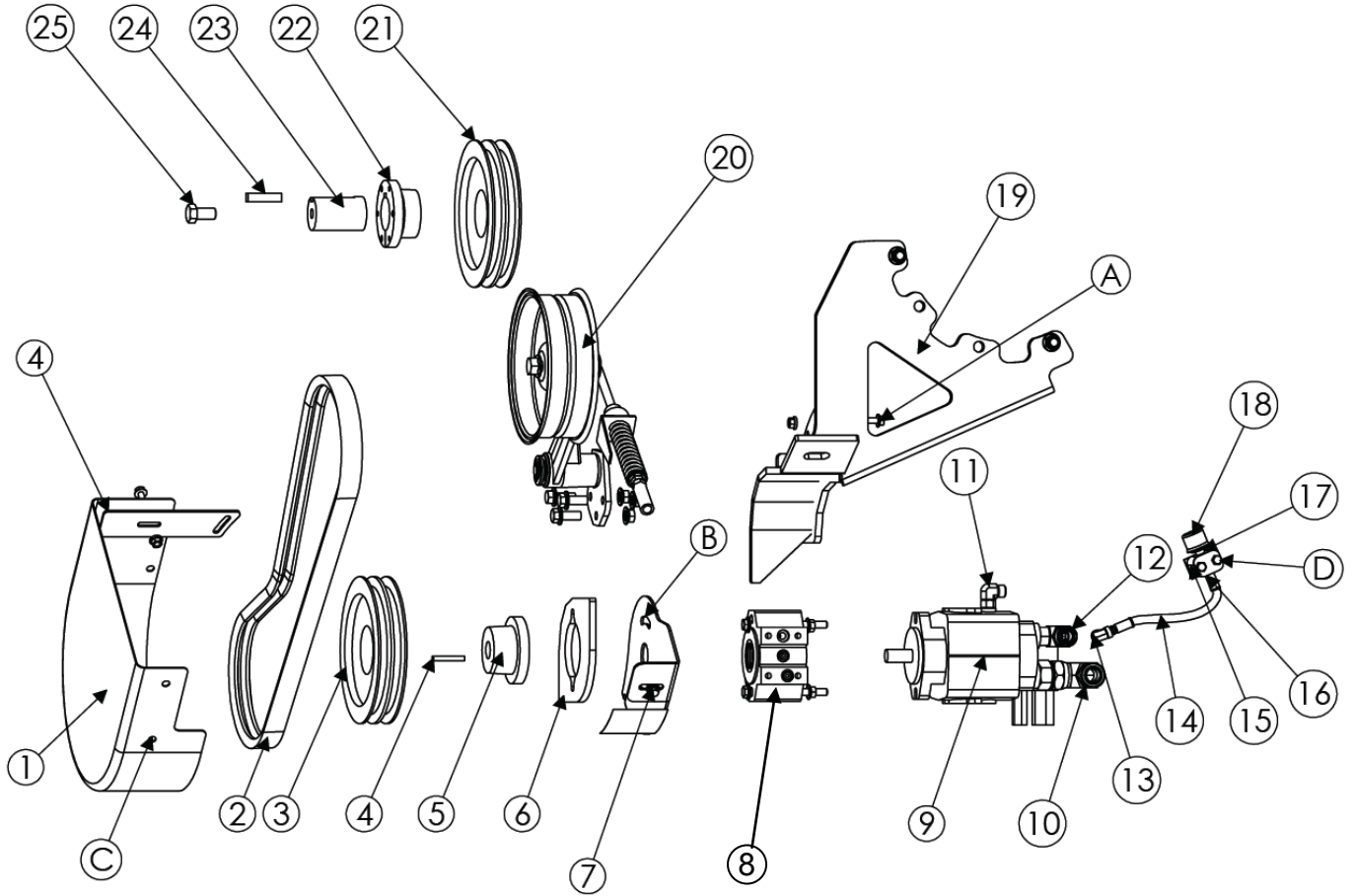
PFC PUMP AND LEVELING MANIFOLD ASSEMBLY



PFC PUMP OPTION COMPONENTS				
REF.	PART NO.	QTY.	PART NAME	NOTES
1	LA-263452	1	PFC PUMP ASSEMBLY	SEE PAGE 7-4
2	LA-263701	1	LEVELING MANIFOLD AND FILTER ASSEMBLY	SEE PAGE 7-7
3	LA-145721	1	1/4" 100R2 HOSE 63 IN #4 FORS X #4 FORS 90°	LOAD SENSE LINE
4	LA-145732	1	3/4" 100R2 HOSE 70 IN #12 FORS X #12 FORS	PRESSURE FROM PUMP TO MANIFOLD
5	LA-145741	1	1" 100R16 (1M2T) HOSE 62 IN #16 FORS X #16 FORS 90°	PUMP SUCTION
6	LA-134872	1	3/8" 100R2 HOSE 72 IN #6 FORS X #6 FORS 90°	PUMP CASE DRAIN TO RESERVOIR
7	LA-263571	1	1" 100R1 HOSE 36" #16 FORS X #16 FORS 90°	FILTER HOUSING OUTLET TO RESERVOIR
8	LA-263562	1	3/4" 100R2 HOSE 30" #12 FORS X #12 FORS 45°	MANIFOLD "T" PORT TO FILTER HOUSING INLET

Model 2975H Hillco Leveling System
For Serial Numbers 2975H-1501 thru 2975H-1599

PFC PUMP ASSEMBLY



Model 2975H Hillco Leveling System
For Serial Numbers 2975H-1501 thru 2975H-1599

PFC PUMP OPTION COMPONENTS				
REF.	PART NO.	QTY.	PART NAME	NOTES
ASM	LA-263452	1	HM ASM, PFC PUMP/IDLER	
1	MC-145851	1	CAP-CHOPPER COUNTERSHAFT	
2	MC-145781	2	DRIVE BELT	GATES 5VX750
3	LA-289261	1	HA ASM, DRIVEN SHIEVE	8.5" 2 GROOVE 5VX SHIEVE
4	F-KST-04X04X30	1	KEY, STR, 1/4" X 1-7/8	
5	MC-103071	1	DRIVEN SHIEVE HUB	
6	LP-263381	1	HM MOUNT, PFC PUMP	
7	LP-264082	1	HM PLT, MOUNT CAP	
8	HC-141531X	1	ADAPTER, OVER-HUNG LOAD (300 SERIES)	HM ASM, PFC PUMP
NS	LA-297731	-	OVER HUNG LOAD ADAPTER REBUILD KIT	
9	HC-133151	1	PUMP, HYDRAULIC PFC-116	HM ASM, PFC PUMP
10	HA-L-16FF16MF	1	#16 MORS X #16 FORS 90 DEGREE	
11	HA-L-6MF6MO	1	#6 MORB X #6 MORS 90°	
12	HA-S-12MO16MF	1	#12 MORB X #16 MORS STR.	
13	HA-L-4MO2FT	1	ADAPTER, ELBOW, 90°	
14	LA-133332	1	HOSE, SAE 30R7 FUEL LINE 3/16" 14" (NO ENDS)	
15	HC-145881	1	BEHRINGER STD CLAMP (.500 DIA)	
16	HC-145891	1	BEHRINGER STD COVER PLATE	
17	HA-U-2FP2FP	1	ADAPTER, UNION, STEEL	
18	HC-143251	1	METAL FILTER BREATHER, 10 MICRON	
19	LA-263432	1	HM ASM, MOUNT (PFC PUMP)	
20	LA-263371	1	IDLER ASM	SEE PAGE 28 FOR DETAILED VIEW
21	MC-103069	1	8.5" 2 GROOVE 5VX SHIEVE	
22	MC-103114	1	HUB, SK-1-15/16	
23	LM-263631	1	HM SHAFT, DRIVER (PFC PUMP)	RND STPRF G&P 1-15/16
24	LS-263861	1	HM KEY, PUMP DRIVE HUB	SQ 1018 CD 1/2 X 1/2
25	F-HC-16M030E	1	HC 10.9 M16 X 2 X 30	FASTENS DRIVE HUB
PFC PUMP OPTION FASTENERS				
REF.	PART NO.	QTY.	PART NAME	WHERE USED
A	F-HCF-12M030E	3	FLHC 10.9 M12 X 1.5 X 30	IDLER ARM ASM TO BRACKET
A	F-HNF-12ME	3	FLHN 10.9 M12 X 1.75	IDLER ARM ASM TO BRACKET
B	F-HCF-10M120E	2	FLHC 10.9 M10 X 1.50 X 120	PUMP/OHLA TO BRACKET
B	F-HNF-10ME	2	FLHN 10.9 M10 X 1.5	PUMP/OHLA TO BRACKET
C	F-HCF-08M020E	3	FLHC 10.9 M8 X 1.25 X 20	CAP TO MOUNTING BRACKET
C	F-HNF-08ME	3	FLHN 10.9 M8 X 1.25	CAP TO MOUNTING BRACKET
D	F-HC5-04C24	2	HC5 1/4-20 X 1-1/2	BEHRINGER CLAMP FOR OHLA BREATHER HOSE

Model 2975H Hillco Leveling System
For Serial Numbers 2975H-1401 thru 2975H-1499

PART NUMBER INDEX (CONTINUED)

PART NO.	PAGE	PART NO.	PAGE	PART NO.	PAGE
LA-139141	7-5	LA-271882	7-5	LM-262811X	2-2
LA-139532	7-5	LA-271911	5-2	LM-265501X	6-2
LA-139542	7-5	LA-271921	5-2	LM-265511X	6-2
LA-140383	7-5	LA-271951	5-2	LM-265561	7-4
LA-140402	7-5	LA-272571	7-5	LM-267981	5-2
LA-228893	2-2	LA-272751	7-5	LM-272161	7-2
LA-229022	2-2	LA-272762	7-5	LM-272241	7-2
LA-229071	2-2, 3-2	LA-273301	7-5	LM-274241	2-2
LA-230552	3-2	LA-273461	7-6	LP-230241	3-2
LA-236542	5-2	LA-273851	2-2	LP-232162	2-2
LA-236552	5-2	LA-273861	7-6	LP-234653	6-2
LA-236563	5-2	LA-274111	7-5	LP-235092	4-2
LA-238761	5-2	LA-274141	7-5	LP-247961	3-2
LA-243691	2-2	LA-274151	7-5	LP-249321	3-2
LA-247482	3-2	LA-274161	7-6	LP-249861	2-2
LA-251632	2-2	LA-274171	7-6	LP-249871	2-2
LA-255644	6-4	LA-274181	7-6	LP-251002	2-2
LA-255821	6-4	LA-274191	7-6	LP-261121	3-2
LA-256001	3-2, 8-1	LA-274211	7-6	LP-266271	2-2
LA-260093	6-2	LA-274261	2-2	LP-271691	2-2
LA-261191	6-2	LA-274291	2-2	LP-272101	3-2
LA-263521	7-4	LL-133741	8-1	LP-274251	2-2
LA-263571	7-5	LL-142091	8-1	LS-212701	2-2
LA-263723	7-4	LL-143621	8-1	LS-244471	2-2
LA-264171	2-2	LL-147651	8-1	LTP-241721	2-2
LA-265541	4-2	LL20-100782	8-1	MC-100548	2-2
LA-265581	6-2, 6-4	LL20-100783	8-1	MC-100764	7-4
LA-265772	6-4	LL20-100784	8-1	MC-101339	2-2
LA-265782	6-2	LL20-100785	8-1	MC-134261	3-2
LA-265791	6-4	LL20-100787	8-1	MC-134271	3-2
LA-265802	6-2	LL20-100788	8-1	MC-134921	5-2
LA-265831	6-2	LL-239412	8-1	MC-134931	5-2
LA-266031	6-2	LM-226532	2-2	MC-135491	2-2
LA-268261	6-4	LM-226841	2-2	MC-135511	2-2
LA-268351	6-4	LM-229142	2-2	MC-135531	2-2
LA-271261	4-2	LM-229152	2-2	MC-136151	2-2
LA-271271	4-2	LM-229161	2-2	MC-136921	2-2
LA-271281	4-2	LM-229171	2-2	MC-137441	2-2
LA-271732	2-2	LM-229192	2-2	MC-138641	3-2
LA-271791	3-2	LM-241271	5-2	MC-138651	3-2
LA-271801	3-2	LM-255331	6-2	MC-139341	2-2
LA-271862	7-5	LM-260301	6-2	MC-139351	2-2