

Model 2970S
Sidehill Leveling System
Parts Manual

SN 2970S-1501 thru 2970S-1599

D-11017ADL01A



2970S Sidehill Leveling System
for 9650, 9660, 9750, 9760 and 9860 STS Combines

TABLE OF CONTENTS

1 GENERAL INFORMATION.....	1-3
Serial Number Location	1-3
Text Format and Illustrations	1-3
Abbreviations.....	1-3
Right and Left Identification	1-3
Parts Orders	1-3
2 TRANSITION.....	2-1
Transition Fasteners.....	2-3
3 CARRIAGE	3-1
Carriage Fasteners.....	3-3
4 DROP AXLE.....	4-1
5 ELECTRICAL BOX AND CAB DISPLAY BOX	5-1
Electrical Cables.....	5-3
6 HYDRAULICS	6-1
PFC Pump Option	6-3
Reel Pump Option	6-5
Hydraulic Leveling Manifold.....	6-7
Hydraulic Trim Manifold.....	6-9
Hydraulic Hoses	6-11
Hydraulic Hoses (Continued).....	6-12
Hydraulic Adapters	6-13
Hydraulic Adapters (Continued)	6-14
7 MISCELLANEOUS.....	7-1
8 PART NUMBER INDEX	8-1
Part Number Index (Continued).....	8-2

Model 2970S Hillco Leveling System
For Serial Numbers 2970S-1501 thru 2970S-1599

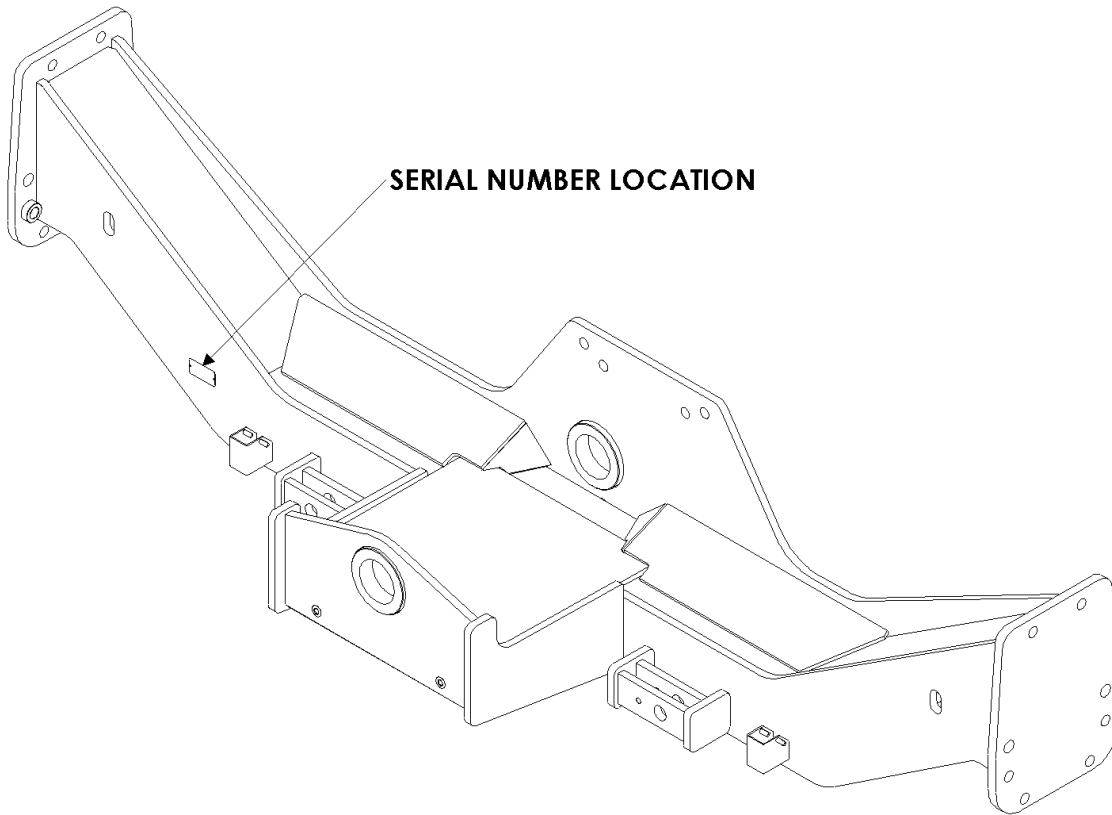
Hillco Technologies, Inc.
107 1st Avenue
Nezperce Id. 83543

Fax	208.937.2280
Phone	208.937.2461
Toll Free	800.937.2461

www.hillcotechnologies.com

1 **GENERAL INFORMATION**

SERIAL NUMBER LOCATION



TEXT FORMAT AND ILLUSTRATIONS

The arrangement of this parts catalog is for easy identification of parts. All parts are illustrated in exploded views in proper relation to each other. Some diagrams refer to other pages for further information. Reference numbers used in the illustrations refer to line numbers in the part lists. The part lists appear to the right of all diagrams and correspond with those diagrams. Included in the part lists, along with the reference numbers are part numbers, part descriptions and the quantity of the part required per leveling system.

ABBREVIATIONS

SN “Serial Number” refers to the serial number given to each leveling system (by Hillco Technologies), as well as the serial number given to the combine (by the specific combine manufacturer) the leveling system is installed upon. This abbreviation is used interchangeably in both instances. Each model 2970S Leveling System uses the following serial number format: 2970S-XXXX (sequential numbers).

ASM “Assembly” refers to a whole grouping of parts (usually shown in the diagram corresponding with the page where “ASM” is shown unless otherwise noted). Some assemblies have parts that are sold separately, however some must be purchased as a single unit. Hillco Product Specialists will be able to assist you with any questions.

NS “Not Shown” refers to a part that is not depicted in the illustration.

RIGHT AND LEFT IDENTIFICATION

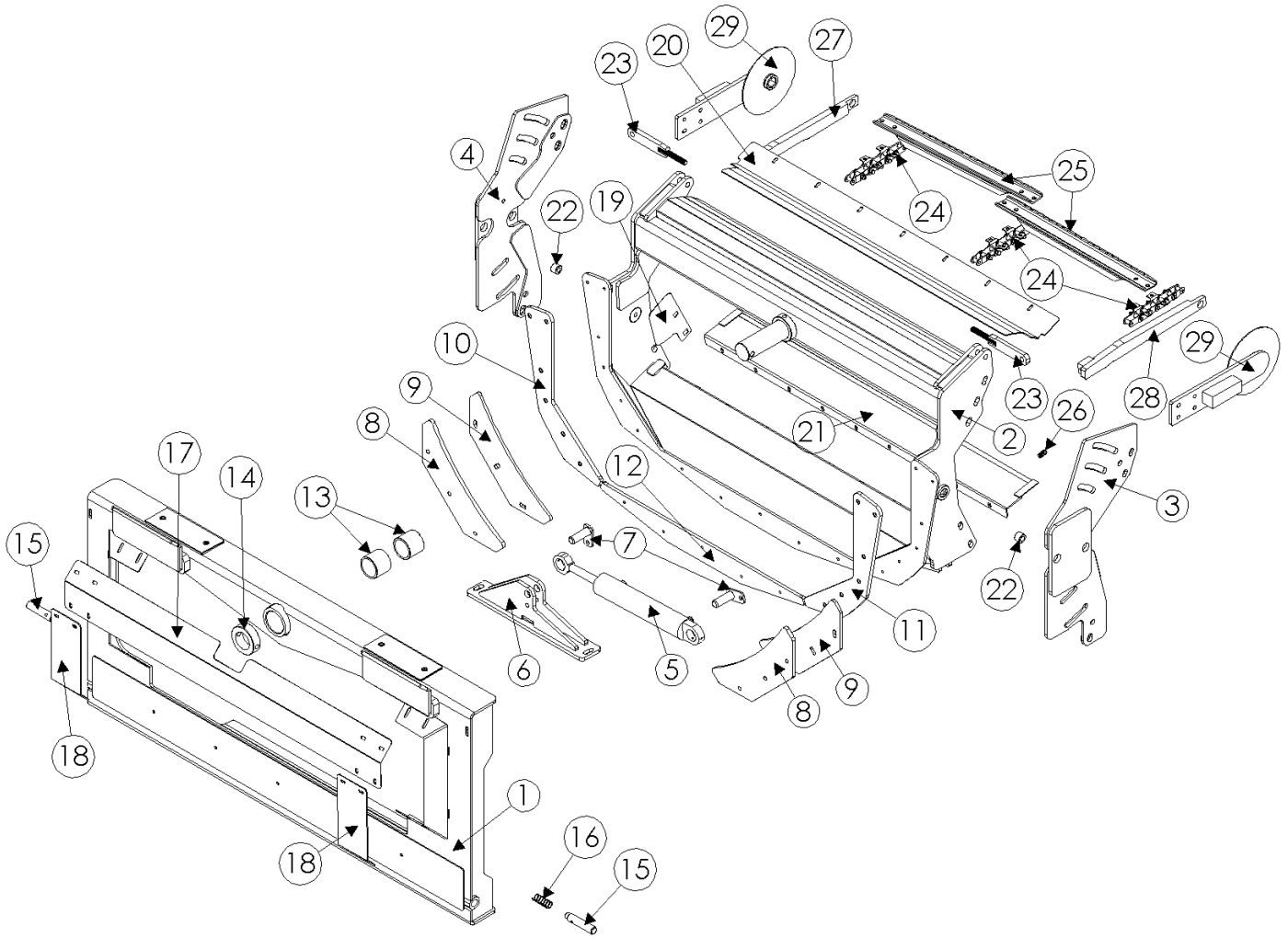
The reference to right-hand and left-hand in this catalog is identified by the operator sitting in the operator’s seat, looking toward the front of the machine (in normal forward travel).

PARTS ORDERS

Orders must specify product model, serial number, correct part number, complete description, quantity required, method of shipment, shipping address, and billing address.

2 TRANSITION

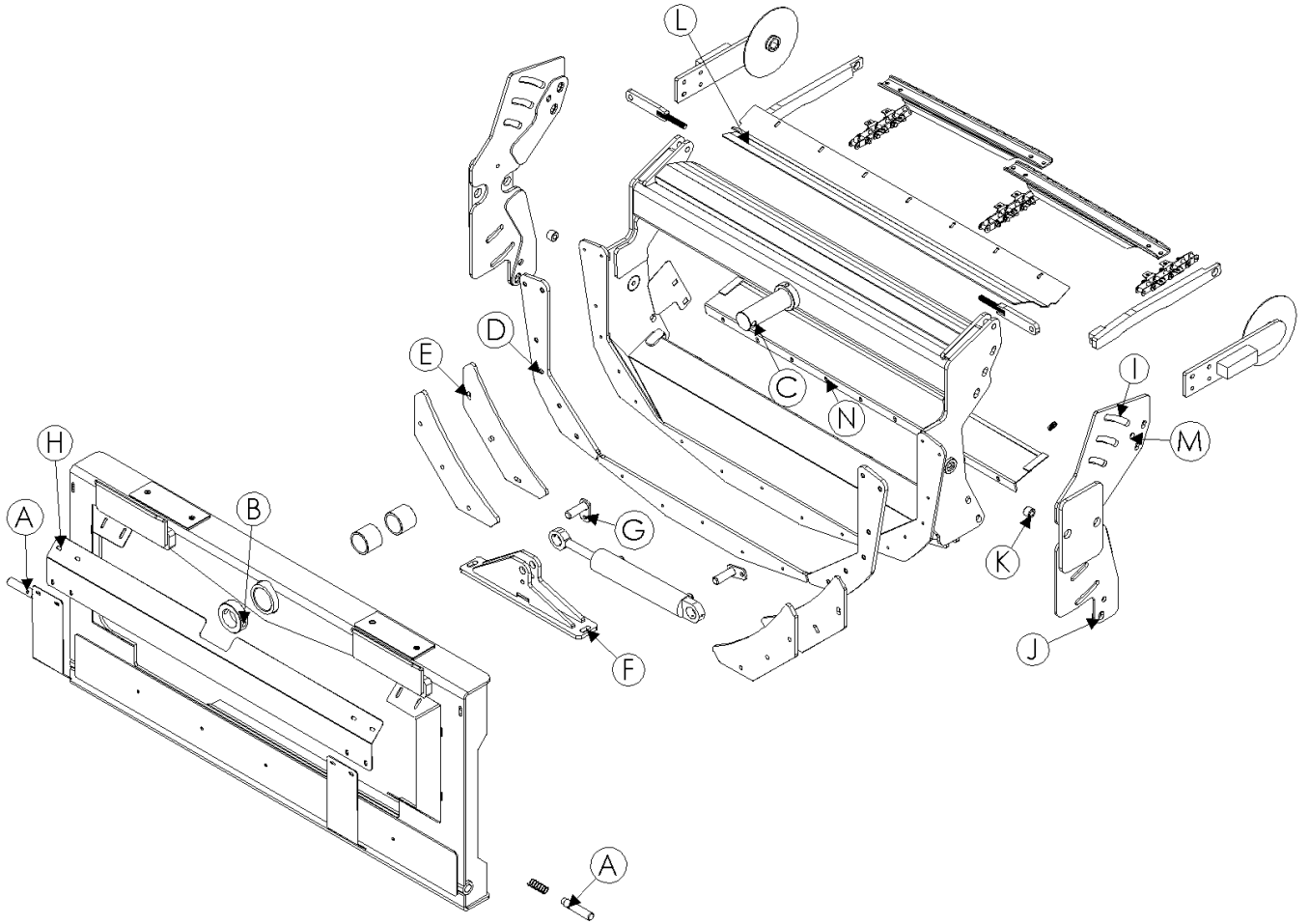
SEE PAGE 2-3 FOR
TRANSITION FASTENERS



Model 2970S Hillco Leveling System
For Serial Numbers 2970S-1501 thru 2970S-1599

TRANSITION COMPONENTS				
REF.	PART NO.	QTY.	PART NAME	NOTES
1	LA-250165	1	TA ASM	
2	LA-250243	1	TT ASM, FRONT	
3	LA-260721	1	TT ASM, REAR LEFT	
4	LA-260772	1	TT ASM, REAR RIGHT	
5	HC-138582	1	CYLINDER, SLAVE	**SEE HYDRAULIC PAGE 6-2
6	LA-250713	1	TM ASM, SLAVE CYLINDER ROD MOUNT	
7	LA-253883	2	LM ASM, PIN	
8	LP-250551	2	TM UHMW, BACKING WEARPAD	
9	LM-250541	2	TM PLT, BACKING	
10	LM-250571	1	TM UHMW, RIGHT WEARPAD	
11	LM-250561	1	TM UHMW, LEFT WEARPAD	
12	LM-250581	1	TM UHMW, BOTTOM WEARPAD	
13	LTP-241721	2	BUSHING, PIVOT	
14	LM-226841	1	TM COLLAR, PIVOT	
15	LM-229193	2	TA RND, LOCKOUT PIN	
16	MC-135531	2	TM SPRING, LOCK PIN	
17	LP-250522	1	TM PLT, TOP SHIELD	
18	LM-250534	2	TM PLT, LEFT & RIGHT SHIELD	
19	LP-260791	2	TM SHEET, ANTI-LEAK	
20	LP-260801	1	TM SHIELD, TOP	
21	LA-272971	1	TM ASM, FLEX FLOOR	
22	LM-260821	2	TM BUSHING, PIVOT OUTER	
23	LA-261021	2	TM ASM, DRAG LINK	
24	LA-265412	3	CA-557 STRAND W/ K6 ATTACHMENTS	LENGTHENS ORININAL FEEDER HOUSE CHAIN
..	N/A	1	CHAIN LINK W/ K6	JD P# AH220868
..	N/A	2	CHAIN LINK	JD P# AH209911
..	N/A	1	1/2 CHAIN LINK	JD P# AH220868
25	MC-146402	2	SLAT, FEEDER HOUSE CAST	JD P# AH229581
26	MC-143591	7	SPRING, COMPRESSION .703" OD X 1.09" LENGTH X .125" WIRE DIA	
27	LA-260851	1	TM ARM ASM, FEEDER DRUM RHT	EARLY 70S (-730100)
28	LA-260861	1	TM ARM ASM, FEEDER DRUM LFT	EARLY 70S (-730100)
29	LA-269141	2	70 SERIES FEEDER DRUM ASM	(730101-CURRENT)

Model 2970S Hillco Leveling System
For Serial Numbers 2970S-1501 thru 2970S-1599
TRANSITION FASTENERS

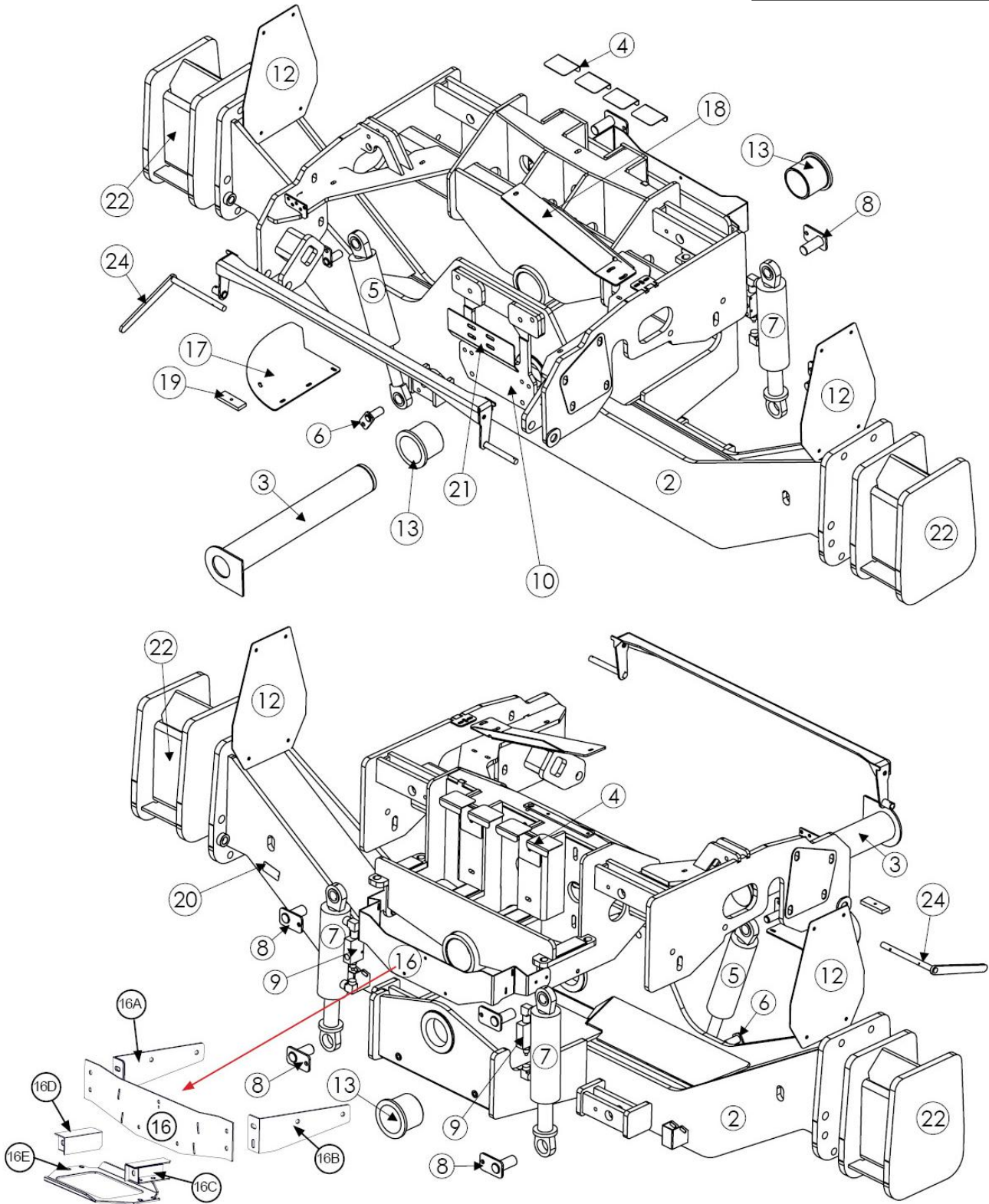


Model 2970S Hillco Leveling System
For Serial Numbers 2970S-1501 thru 2970S-1599

TRANSITION FASTENERS				
REF.	PART NO.	QTY.	PART NAME	WHERE USED
A	F-HC-10M070E	2	HC-10.9 M10 X 1.5 X 70	HEADER LOCK PINS
B	F-HC-16M120E	1	HC-10.9 M16 X 2.00 X 120	MAIN PIVOT PIN COLLAR
B	F-HNS-16ME	1	HN-10.9 M16 X 2.00 STV	MAIN PIVOT PIN COLLAR
C	F-MB-14NR40	4	MACH BUSH 14 GA NR 2-1/2 ID	MAIN PIVOT PIN
D	F-FHS-8M030E	17	FHSC-10.9 M8 X 1.25 X 30	UHMW FACE PLATE
D	F-HNS-8ME	17	HN-10.9 M8 X 1.25 STV	UHMW FACE PLATE
E	F-HCF-12M040E	6	FLHC-10.9 M12 X 1.75 X 40	BACKING PLATES
F	F-HNS-16ME	3	FLHN-10.9 M16 X 2.00	SLAVE CYLINDER ROD MOUNT
F	F-HCF-16M040E	3	FLHC-10.9 M16 X 2.00 X 40	SLAVE CYLINDER ROD MOUNT
G	F-HCF-12M040E	2	FLHC-10.9 M12 X 1.75 X 40 PLT	SLAVE CYLINDER MOUNT PIN
G	F-HNS-12ME	2	HN-10.9 M10 X 1.50 STV	SLAVE CYLINDER MOUNT PIN
H	F-HNSF-08ME	12	FLNG HN 10.9 M8 X 1.25 STV	SHIELDS
I	F-CB-16M050E	10	CARR-10.9 M16 X 2.00 X 50	CONNECTS FRONT & REAR THROATS
I	F-HNF-16ME	10	FLHN-10.9 M16 X 2.00	CONNECTS FRONT & REAR THROATS
I	MC-143641	10	FW 17.5 X 56 X 5MM	CONNECTS FRONT & REAR THROATS; DRILLED HOLE
J	F-CB-16M050E	4	CARR-10.9 M16 X 2.00 X 50	REAR THROAT TO FEEDERHOUSE
K	F-HCF-16M040E	2	FLHC-10.9 M16 X 2.00 X 40	TRANSITION PIVOT BOLTS
K	MC-143641	2	FW 17.5 X 56 X 5MM	TRANSITION PIVOT BOLTS
L	F-PCT-02X16	2	PIN COTTER 1/8 X 1	PINS FOR FEEDER DRUM ARMS
M	F-HC-16M050E	2	HC-10.9 M16 X 2.0 X 50	DRILLED HOLE TRANSITION TO FEEDERHOUSE
M	F-HNF-16ME	2	FLHN-10.9 M16 X 2.00	DRILLED HOLE TRANSITION TO FEEDERHOUSE
N	F-CB-10M050F	7	CARR-8.8 M10 X 1.50 X 50	FLOOR HINGE
N	F-HNN-10MF	7	HN-8.8 M10 X 1.50 NYLOCK	FLOOR HINGE
NS	F-HNF-16ME	4	FLHN-10.9 M16 X 2.00 NUT	HEADER TOP SPACER PLATES

3 CARRIAGE

SEE PAGE 3-3 FOR
CARRIAGE FASTENERS

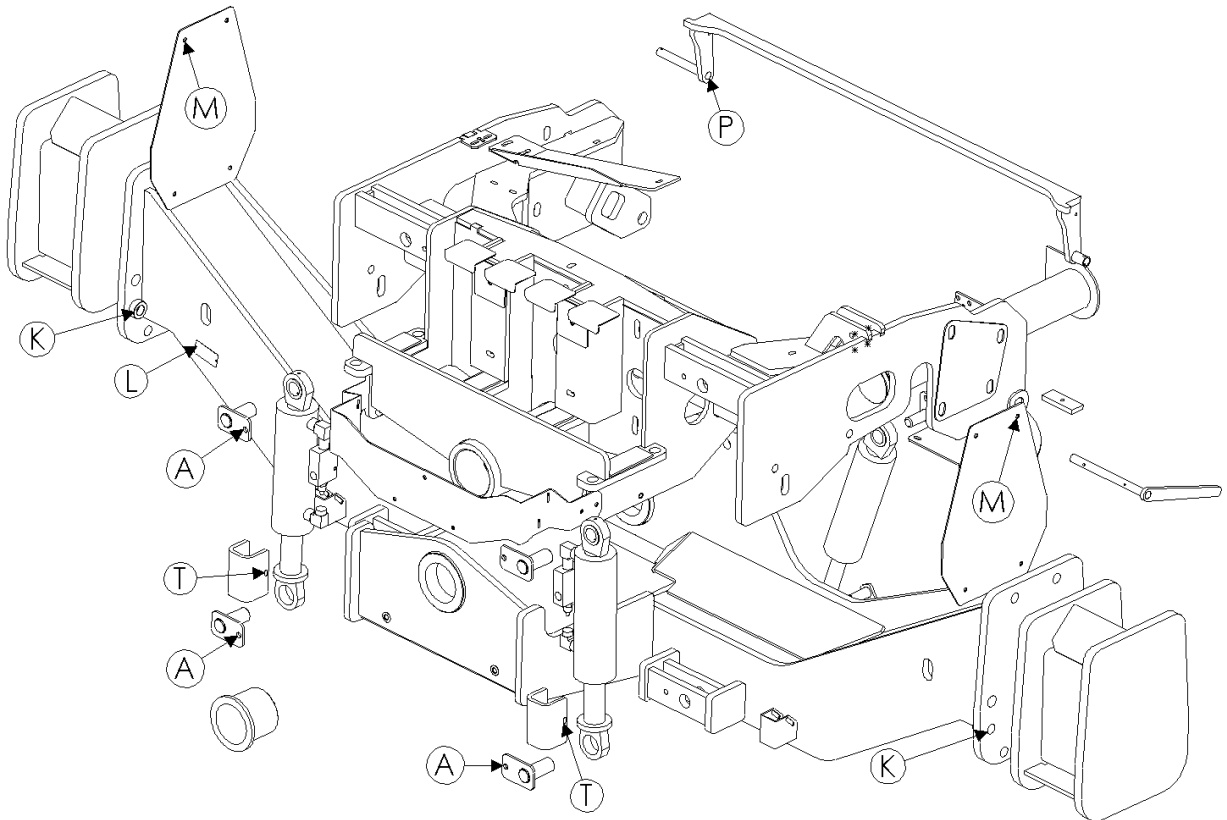
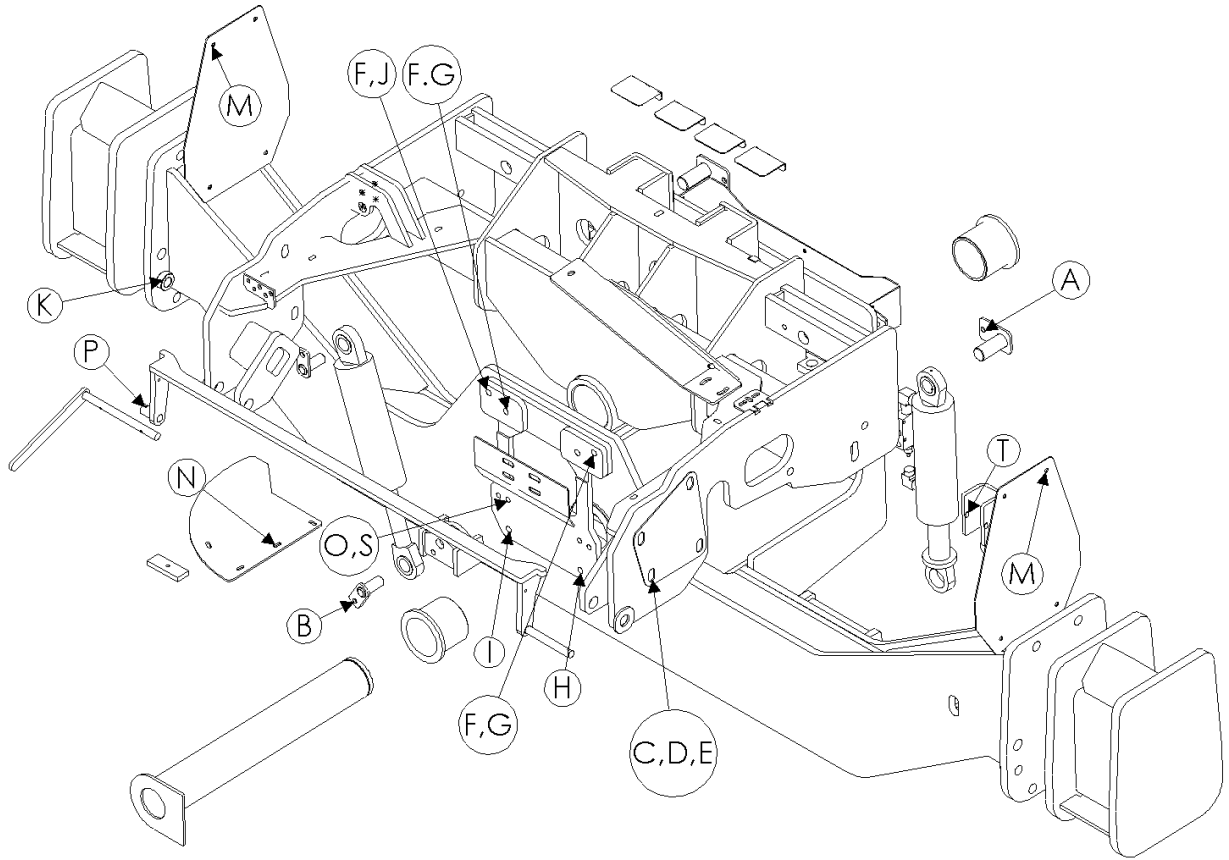


Model 2970S Hillco Leveling System
For Serial Numbers 2970S-1501 thru 2970S-1599

CARRIAGE COMPONENTS				
REF.	PART NO.	QTY.	PART NAME	NOTES
1	LA-269991	1	CO ASM	
NS	LA-274751	1	CO ASM	PRO-DRIVE OPTION ONLY
2	LA-274741	1	CU ASM, WIDE (2009 PRO-DRIVE)	FOR COMBINES WITH DUAL TIRES
NS	LA-247094	1	CU ASM, WIDE	FOR COMBINES WITH DUAL TIRES
NS	LA-262022	1	CU ASM, NARROW	FOR COMBINES WITH SINGLE TIRES
3	LA-247482	1	CM ASM, MAIN PVT PIN	
4	LA-270041	4	CM PLT, CARRIAGE SHIM	
5	HC-140342	1	CYLINDER, MASTER	**SEE HYDRAULICS PAGE 6-2
NS	HC-147501	1	CYLINDER, MASTER	PORTS AT 90°
6	LA-253883	2	LM ASM, PIN	
7	HC-140313	2	CYLINDER, MAIN LEVELING	**SEE HYDRAULICS PAGE 6-2
8	LA-230552	4	CM PIN ASM, MAIN CYLINDER	
9	HC-138901	2	VALVE, COUNTER BALANCE	**SEE HYDRAULICS PAGE 6-2
10	LM-270131	2	CU PLT, TRANS SPACER	
NS	LM-260591	2	CM PLT, TRANSITION MOUNT	FOR NARROW OPTION
11	LP-252241	2	LM PLT, CYLINDER STOP	
12	LP-230241	2	CM CAP, AXLE	
13	LP-247961	2	CM BUSHING, PIVOT	
14	MC-138651	1	SNAP RING 4"	
15	MC-138641	1-4	WASHER 4.016ID X 4.764OD X .048	
16	LP-270323	1	EM PLATE, ELECTRICAL MOUNT	
16A	LP-275971	1	CM PLT, LEFT BOX MOUNT	
16B	LP-275961	1	CM PLT, RIGHT BOX MOUNT	
16C	LA-276091	1	CM ASM, LEFT LIMIT SWITCH STOP	
16D	LA-276101	1	CM ASM, LEFT LIMIT SWITCH STOP	
16E	LP-275981	1	CM PLT, CONTROLLER BOX	
17	LP-261121	1	HM TABLE, HYDRO HOSE	STD TRANSMISSION ONLY
18	LM-261102	1	HM MOUNT, HYDRO CLAMP	STD TRANSMISSION ONLY
19	LM-261091	3	HM FLAT, CLAMP SPACER	STD TRANSMISSION ONLY
20	LA-255961	1	TAG, SERIAL NUMBER	
21	LP-258222	1	LM SHIELD, SHIFT CABLE	STD TRANSMISSION ONLY
NS	LA-276091	1	CM ASM, STOP, RIGHT LIMIT SWITCH	
NS	LA-276101	1	CM ASM, STOP, LEFT LIMIT SWITCH	
NS	LA-275932	2	CM ASM, AXLE CLAMP	
NS	HC-143601	1	CLAMP, HOSE 1-1/8" R/C 3/8" HOLE	
NS	MC-135631	1	CLAMP, HOSE 1-1/2" R/C 3/8" HOLE	
NS	LP-274531	1	LM PLT, BULKHEAD MNT	
REQUIRED ON 9660, 9760, & 9860 STS COMBINES THAT ARE EQUIPPED WITH CU ASM, NARROW (P/N LA-262021) IF COMBINE NEEDS TO BE CONVERTED TO DUAL TIRES & 70 SERIES				
22	LA-253141	2	LM ASM, 9.25 AXLE EXTENSION	
FOR COMBINES WITH SERIAL NUMBERS: 9660 STS (7201301-); 9760 STS (720401-); 9860 STS (720401-) & ALL 70 SERIES				
ASM	LA-264171	1	LM, ASM, ROCK TRAP LINKAGE	
23	LA-264511	1	LM ASM, LINKAGE, ROCK TRAP	INCLUDED IN LA-264171
24	LA-264501	1	LM ASM, HANDLE, ROCK TRAP	INCLUDED IN LA-264171
MISCELLANEOUS CARRIAGE COMPONENTS AND FASTENERS				
NS	MC-142921	2	EMERGENCY BRAKE CABLE	STD TRANSMISSION ONLY
NS	MC-141551	1	CABLE, SHIFT	STD TRANSMISSION ONLY; SUBS TO JOHN DEERE CABLE PART NUMBER AH128356
NS	F-HNN-8MF	2	HN-8.8 M8X1.25 NYLOCK	NUT, FOR BRAKE CABLE
NS	LP-264341	1	LM PLT, STOP LADDER	
PRO-DRIVES				
NS	LP-274251	1	TABLE	
NS	LP-274901	1	HYDRO HOSE SUPPORT	

Model 2970S Hillco Leveling System
For Serial Numbers 2970S-1501 thru 2970S-1599

CARRIAGE FASTENERS

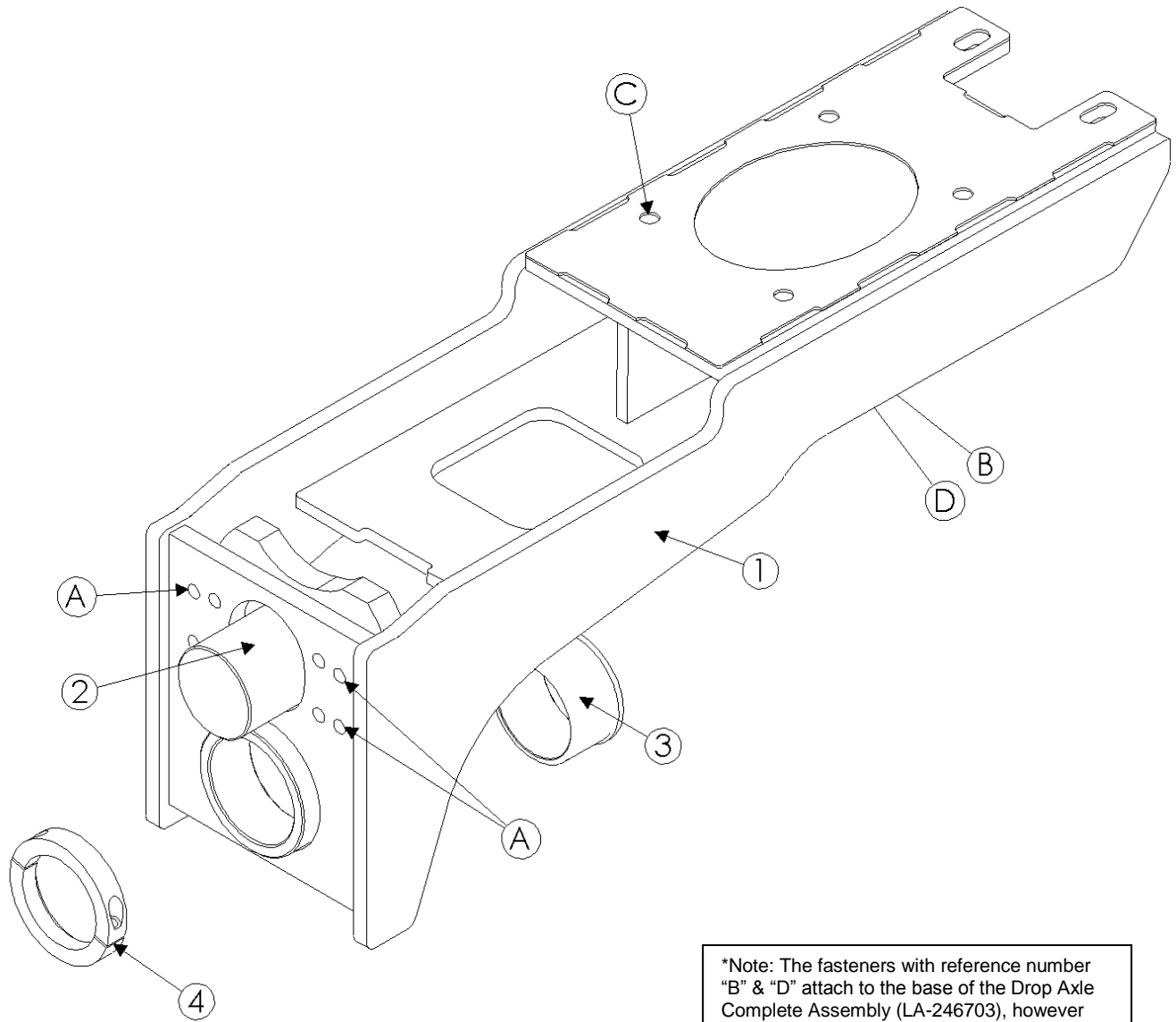


Model 2970S Hillco Leveling System
For Serial Numbers 2970S-1501 thru 2970S-1599

CARRIAGE FASTENERS				
REF.	PART NO.	QTY.	PART NAME	WHERE USED
A	F-HCF-12M040E	4	FLHC-8.8 M12 X 1.75 X 40	LEVELING CYLINDER MOUNT PIN
A	F-HNS-12ME	4	HN-10.9 M12 X 1.75 STV	LEVELING CYLINDER MOUNT PIN
B	F-HCF-12M035E	2	FLHC 10.9 M12 X 1.75 X 35	MASTER CYLINDER MOUNT PIN
B	F-HNS-12ME	2	HN-10.9 M12 X 1.75 STV	MASTER CYLINDER MOUNT PIN
C	F-HNF-16ME	8	FLHN-10.9 M16 X 2.00	OVERCARRIAGE FRONT RIGHT & LEFT
D	F-HCF-16M110E	8	FLANGE HC-10.9 M16 X 2.00 X 110 PLT	OVERCARRIAGE FRONT RIGHT & BOTTOM LEFT
E	F-FWD-10	8	FW 5/8 HD	OVERCARRIAGE FRONT
F	F-HNF-16ME	4	FLHN-10.9 M16 X 2.00	BOTTOM & TOP TRANSMISSION MOUNT HOLES
G	MC-143721	2	STUD, DOUBLE-ENDED-10.9 M16 X 2.00 X 90 18MM ONE END - 56MM OTHER END	UPPER TRANSMISSION MOUNT HOLES ON UNDERCARRIAGE
H	F-HNF-16ME	2	FLHN-10.9 M16 X 2.00	LOWER STUDS THAT HOLD PLATE TO UNDERCARRIAGE
I	MC-143711	4	STUD, DOUBLE-ENDED 10.9 M16 X 2.00 X 75	INSTALLED IN THE BOTTOM TRANSMISSION MOUNT HOLES
J	F-HCF-16M040E	2	FLHC-10.9 M16 X 2.00 X 40 PLT	UPPER TRANSMISSION MOUNT TO OVERCARRIAGE
K	F-SHC-24M080E	4	SHCS 10.9-M24 X 3 X 80 ZINC	FINAL MOUNT
L	F-UDS-#7X06	2	SCREW, U-DRIVE #7 X 3/8	SERIAL NUMBER PLATE
M	F-HCF-10M040E	8	FLHC-8.8 M10 X 1.50 X 40	ORIGINAL AXLE COVER
M	F-HNF-10ME	8	FLHN-8.8 M10 X 1.50	ORIGINAL AXLE COVER
M	F-FWF-06020	8	3/8 FW FENDER X 1-1/4	ORIGINAL AXLE COVER
N	F-HCF-8M020E	2	FLHC-10.9 M8 X 1.25 X 20	HYDRO HOSE TABLE TO TRANSMISSION
O	F-HCF-8M020E	1	FLHC-10.9 M8 X 1.25 X 20	CASE DRAIN HOSE
O	F-HNF-08ME	2	FLHN-10.9 M8 X 1.25	CASE DRAIN HOSE
P	F-HC-06M035E	1	HC- 10.9 M6 X 1.0 X 35 PLT	ROCK TRAP
P	F-HNN-06MF	1	HN- 8.8 M6 X 1.0 NYLOCK	ROCK TRAP
Q	F-HCF-20M110E	2	FLHC-10.9 M20 X 2.50 X 110 PLT	MOUNTS OVERCARRIAGE TO CASSIS
R	F-HNSF-20ME	2	HN-10.9 M20 X 2.50 STV FLNG	MOUNTS OVERCARRIAGE TO CASSIS
S	F-HNF-16ME	2	FLHN-10.9 M16 X 2.00	BOTTOM TRANSMISSION MOUNT HOLES
T	F-PSL-04X48	2	SNAP LOCK PIN	SHIPPING SPACERS
NS	LP-276131	2	BODY SHIM 1/8	
NS	LP-276141	2	BODY SHIM 14 GA	
NS	LP-276151	2	BODY SHIM 16 GA	

Model 2970S Hillco Leveling System
For Serial Numbers 2970S-1501 thru 2970S-1599

4 DROP AXLE

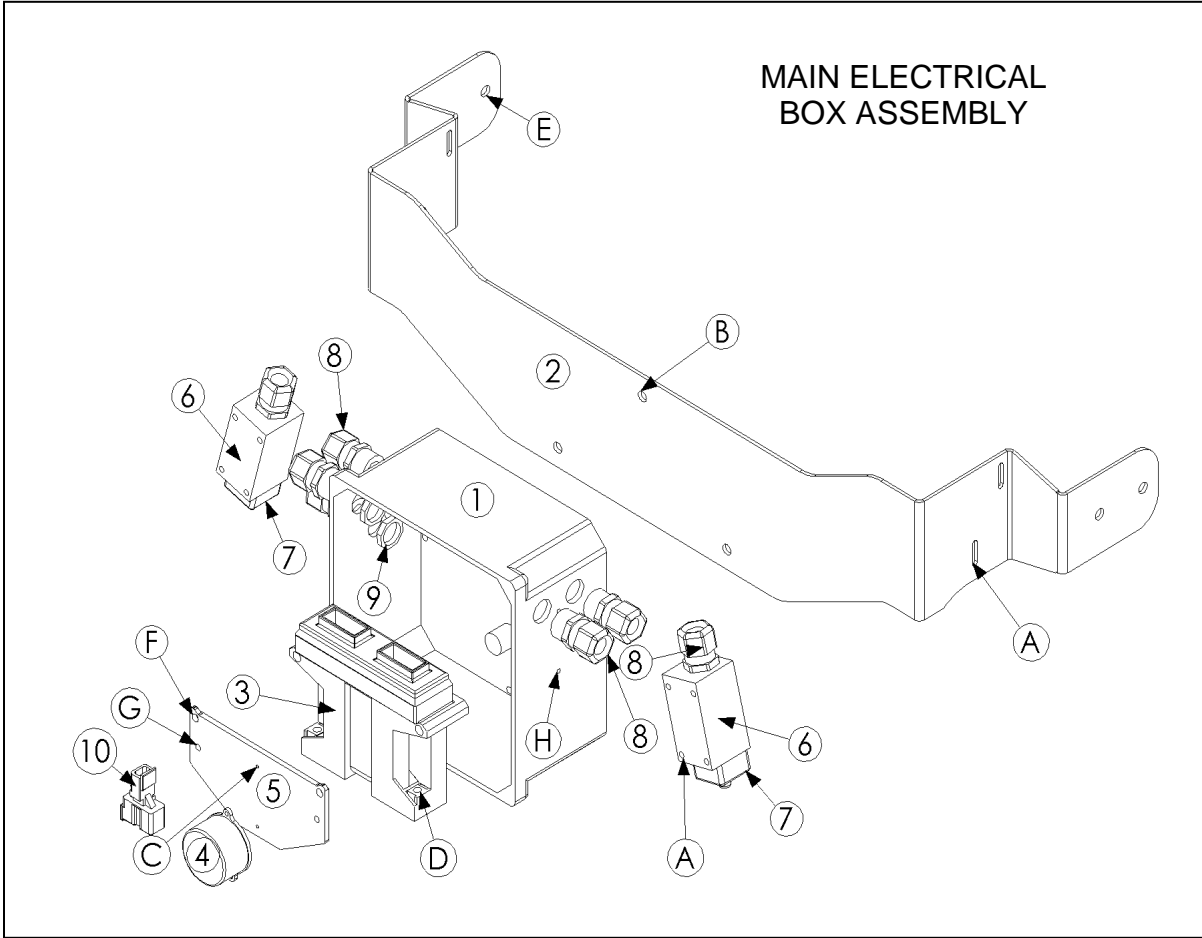


*Note: The fasteners with reference number "B" & "D" attach to the base of the Drop Axle Complete Assembly (LA-246703), however they cannot be seen in this view. The leader is pointing to the general area where they will be found.

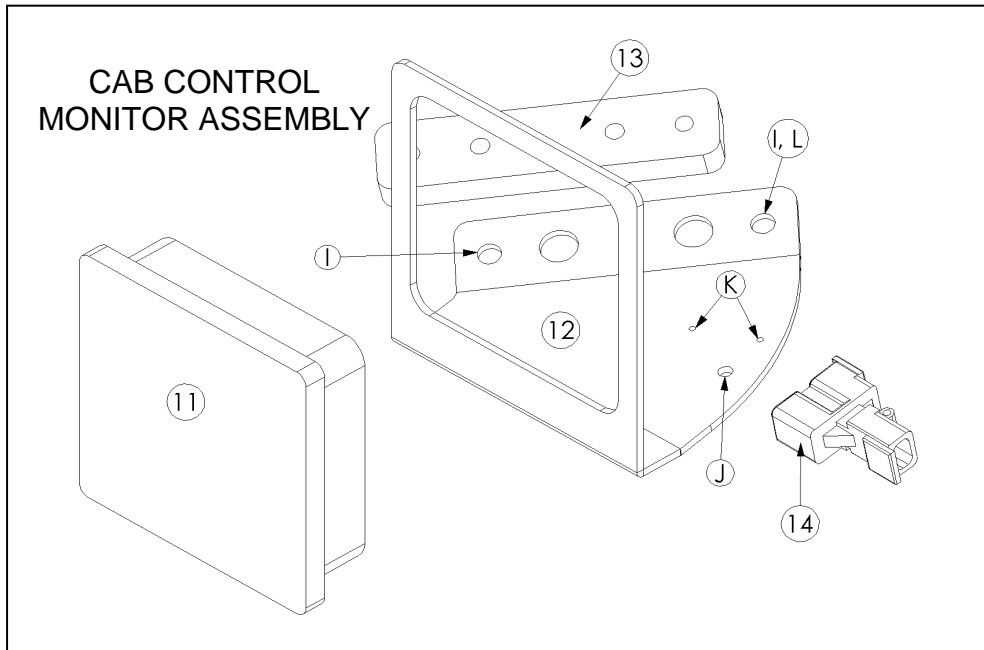
Model 2970S Hillco Leveling System
For Serial Numbers 2970S-1501 thru 2970S-1599

DROP AXLE COMPONENTS				
REF.	PART NO.	QTY.	PART NAME	NOTES
ASM	LA-254013	1	DA COMPLETE ASM	
1	LA-246703	1	DA ASM	
2	LA-265541	1	DA PIVOT ASM	
3	LP-235092	1	LM BUSHING, DA PIVOT	
4	LM-263711	1	LM COLLAR, CLAMPING 3-1/2" X 4-3/4"	
DROP AXLE FASTENERS				
REF.	PART NO.	QTY.	PART NAME	WHERE USED
A	F-HCF-16M050E	4	FLHC-10.9 M16 X 2.00 X 50	ATTACH SUB ASSEMBLIES
B	F-FHD-10	10	FW 5/8 HD	BOTTOM & TOP OF ASSEMBLY
B	F-HNS-16ME	10	HN-10.9 M16 X 2.00 STV PLT	BOTTOM & TOP OF ASSEMBLY
C	F-HCF-16M060E	6	FLHC-10.9 M16 X 2.00 X 60 PLT	TOP OF ASSEMBLY
D	F-HC-16M250E	4	HC-10.9 M16 X 2.00 X 250 PLT	BOTTOM OF ASSEMBLY

5 ELECTRICAL BOX AND CAB DISPLAY BOX



**Note: Line items numbers '4' and '10' refer to complete assemblies. The complete assemblies are not shown in this diagram. See page 5-3 for pictures of the complete assemblies.



Model 2970S Hillco Leveling System
For Serial Numbers 2970S-1501 thru 2970S-1599

ELECTRICAL COMPONENTS				
REF.	PART NO.	QTY.	PART NAME	NOTES
ASM	LA-265802	1	EM ASM, CONTROLLER	
1	LM-260301	1	EM BOX, CONTROLLER MOUNT	
2	LA-270322	1	EM MOUNT, CONTROL BOX	
3	LA-270093	1	CONTROLLER	
4	LA-261191	1	EM ASM, CLINOMETER	**SEE NOTE BELOW DIAGRAM
5	LM-255331	1	EM SHT, CLINOMETER MOUNT	
6	EC-100557	2	BODY, LIMIT SWITCH	
7	EC-100692	2	HEAD, LIMIT SWITCH STR PLUNGER	
8	EC-138781	7	STRAIN RELIEF, NYLON, BLK, 1/2 NPT	
9	EC-142121	5	STRAIN RELIEF NUT, 1/2" NYLON, BLK	
10	LA-265831	1	EM WIRE ASM, Y-CONNECTOR	**SEE NOTE BELOW DIAGRAM
NS	MC-135791	2	CLAMP, HOSE 7/8" R/C W/ 3/8 HOLE	ROUTING UNDER CHASSIS
NS	EC-142201	1	TOOL, EXTRACTION DEUTSCH	
ELECTRICAL FASTENERS				
REF.	PART NO.	QTY.	PART NAME	WHERE USED
A	F-PHM-#10C28	4	PHMS 10-24 X 1-3/4	LIMIT SWITCH MNT
A	F-HNF-#10C	4	HN 10-24, FLNG SERR	LIMIT SWITCH MNT
B	F-HC5-04C12	3	HC5 1/4-20 X 3/4	PVC BOX TO BRACKET
B	F-LW-04	3	LW 1/4	PVC BOX TO BRACKET
C	F-PHM-#6C06	2	PHMS #6-32 X 3/8	CLINOMETER MOUNT TO PLATE
D	F-PHM-04C24	2	PHMS 1/4-20 X 1-1/2	CONTROLLER TO PVC BOX
D	F-HNF-04C	2	FLHN 1/4-20, SERR	CONTROLLER TO PVC BOX
E	F-HCF-10M030F	4	FLHC-8.8 M10 X 1.50 X 30 PLT	BOX MOUNT TO OVERCARRIAGE
E	F-PHM-04C36	2	PHMS 1/4-20 X 2-1/4	GROUNDING PLATE MOUNTING
E	F-HNF-04C	2	FLHN 1/4-20, SERR	GROUNDING PLATE MOUNTING
F	F-PHM-#10C20	2	PHMS 10-24 X 1-1/4	GROUNDING PLATE GROUND
F	F-HNF-#10C	2	HN5 10-24, FLNG, SERR	GROUNDING PLATE GROUND
F	F-HN-#10C	3	HN5 10-24	GROUNDING PLATE GROUND
G	F-PHM-#10C16	1	PHMS 10-24 X 1	Y-CONNECTOR TO GROUND
H	F-PHM-#6C08	2	PHMS #6-32 X 1/2	PLUG HOLES ON SIDE OF BOX
H	F-HNF-#6C	2	FLHN #6-32 SERR.	PLUG HOLES ON SIDE OF BOX
NS	F-HNF-10ME	6	MM FLHN-10.9 M10 X 1.50 PLT	ROUTING UNDER CHASSIS
NS	F-TCH-06M012E	1	SCREW, SELF-TAPPING, M6 X 1.00 X 12	3/8" HOSE CLAMP
CAB CONTROL MONITOR				
REF.	PART NO.	QTY.	PART NAME	NOTES
ASM	LA-266031	1	EM ASM, CAB CONTROL MONITOR	
11	LA-265782	1	GRAPHICAL TERMINAL, S-D DP200	MOUNTING BRACKET, GASKET AND SCREWS, INCLUDED
12	LM-265501X	1	EM MOUNT, DISPLAY	
13	LM-265511X	1	EM MOUNT, DISPLAY SPACER	
NS	EC-146481	1	BUZZER, PIEZO ELECTRIC	
NS	EC-142101	1	CLAMP, HOSE 3/8" R/C W/ 3/8 HOLE	ELECTRICAL CABLE SUPPORT IN CAB
NS	EC-146531	1	Y-CONNECTOR, BLACK	
NS	EC-146541	1	PLUG, GRAY W/120 OHM RESISTOR	
CAB CONTROL MONITOR FASTENERS				
REF.	PART NO.	QTY.	PART NAME	NOTES
I	F-HCF-08M016E	2	FLHC-10.9 M8 X 1.5 X 16	GRAPHICAL TERMINAL MOUNTING
I	F-TCH-06M025E	2	SCREW, SELF-TAPPING, M6 X 1.00 X 25	GRAPHICAL TERMINAL MOUNTING
I	F-TCH-06M035E	2	SCREW, SELF-TAPPING, M6 X 1.00 X 35	GRAPHICAL TERMINAL MOUNTING
J	F-PHM-#10C08	1	PHMS 10-24 X 1/2	Y-CONNECTOR MOUNTING
J	F-HN-#10C	1	HN5 10-24	Y-CONNECTOR MOUNTING
K	EC-142101	1	CLAMP, HOSE 3/8" R/C W/ 3/8 HOLE	ELECTRICAL CABLE SUPPORT IN CAB
NS	EC-138781	2	STRAIN RELIEF, NYLON, BLK, 1/2 NPT	MOUNTED IN CAB FLOOR
NS	EC-142121	2	STRAIN RELIEF NUT, 1/2" NYLON, BLK	MOUNTED IN CAB FLOOR
NS	F-FWH-12	4	FW 3/4 HARDENED PLT	MOUNTED IN CAB FLOOR

Model 2970S Hillco Leveling System
For Serial Numbers 2970S-1501 thru 2970S-1599

ELECTRICAL CABLES



#1 LA-268261
EM CABLE ASM, LIMIT SWITCH



#2 LA-255821
EM ASM, CLINOMETER



#3 LA-265831
EM WIRE ASM,
Y-CONNECTOR



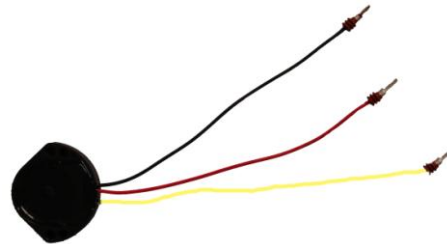
#4 LA-255645
EM ASM, BOX TO VALVE



#5 LA-265772
EM CABLE ASM,
POWER & GROUND



#6 LA-265581
EM CABLE ASM, CAB
TO BOX



#7 LA-267621
EM ASM, TILT SENSOR
PATCH



#8 LA-260242 EM CABLE ASM,
TRIM SIGNAL

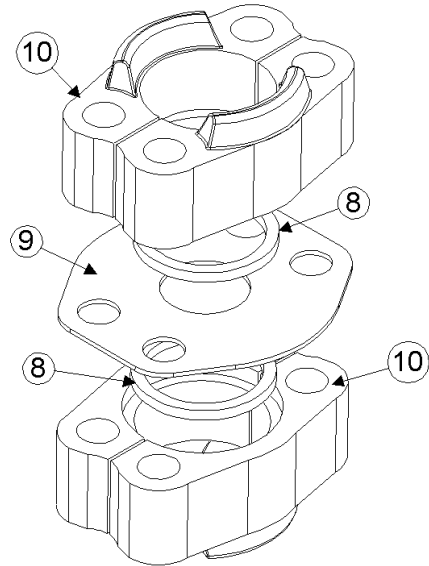
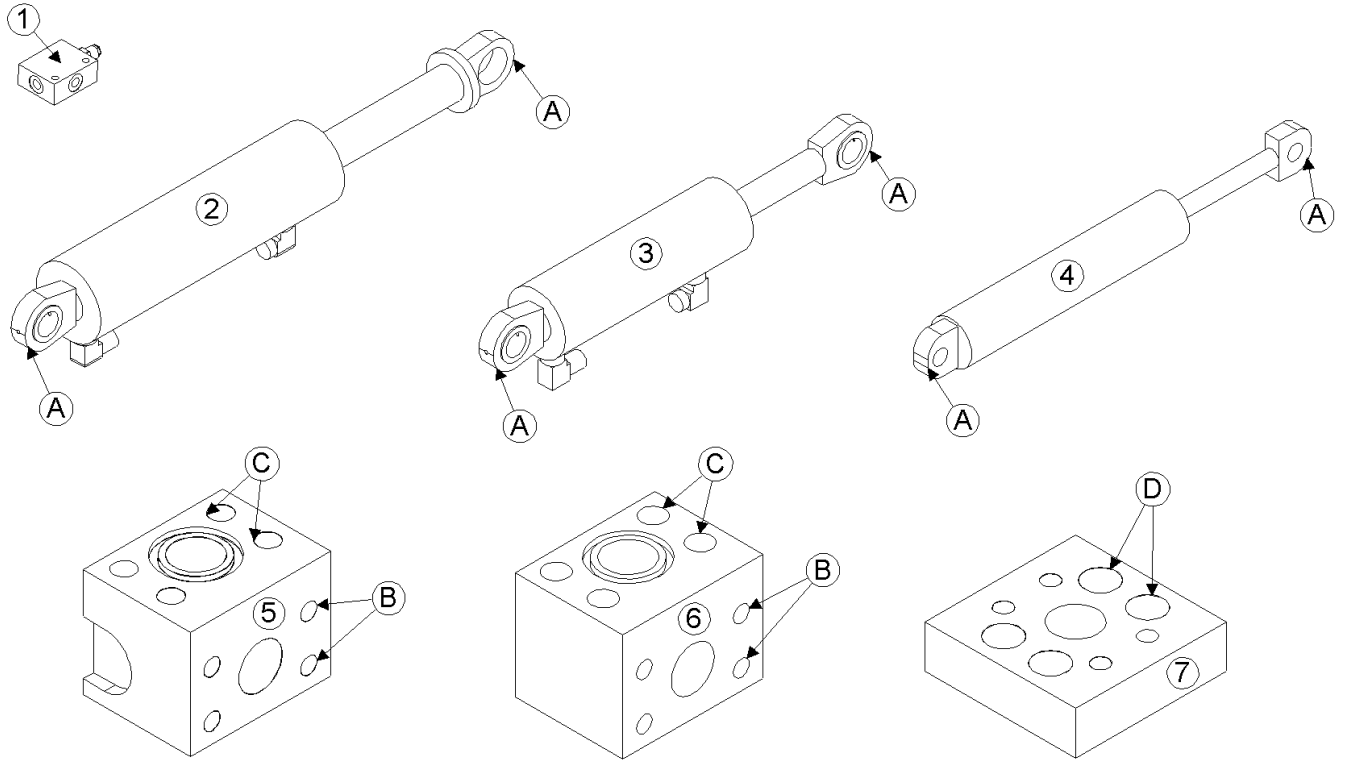


#9 LA-260222 EM CABLE ASM,
TRIM SIGNAL

Model 2970S Hillco Leveling System
For Serial Numbers 2970S-1501 thru 2970S-1599

ELECTRICAL CABLE ASSEMBLIES				
REF.	PART NO.	QTY.	PART NAME	DESCRIPTION
ALL COMBINES				
1	LA-268261	2	EM CABLE ASM, LIMIT SWITCH	
2	LA-255821	1	EM CABLE ASM, CLINOMETER	
3	LA-265831	1	EM WIRE ASM, Y-CONNECTOR	
4	LA-255645	1	EM CABLE ASM, BOX TO VALVE	
5	LA-265772	1	EM CABLE ASM, POWER & GROUND	
6	LA-265581	1	EM CABLE ASM, CAB TO BOX	
7	LA-267621	1	EM ASM, TILT SENSOR PATCH	
..	EC-140851	3	TERMINAL	JD# R104846
..	EC-140861	3	SEAL, RED	JD# 57M7258
..	EC-146761	1	SENSOR, POSITION, 10K OHM	
..	F-PHM-#06C28	2	PHMS #6-32 X 1-3/4	MNTS SENSOR TO CHASSIS
..	F-HNF-#6C	2	HN #6-32, FLNG SERR	MNTS SENSOR TO CHASSIS
FOR COMBINES WHICH FALL WITHIN THE FOLLOWING SERIAL NUMBER BREAKS:				
9560STS (705401-715300)				
8	LA-260242	1	EM CABLE ASM, TRIM SIGNAL	
FOR COMBINES WHICH FALL WITHIN THE FOLLOWING SERIAL NUMBER BREAKS:				
9560 STS (715301-)				
9	LA-260222	1	EM CABLE ASM, TRIM SIGNAL	ALL 70 SERIES
ELECTRICAL CONNECTORS				
REF.	PART NO.	QTY.	PART NAME	DESCRIPTION
NS	EC-133281	2	DIODE, 6 AMP, 50 PIV, SILICON	
NS	EC-139641	5	CONNECTOR, PARALLEL, 16-14 GA	
NS	EC-141741	4	DTM SERIES, 12-SOCKET WEDGE	
NS	EC-141751	3	DTM SERIES 12-SOCKET PLUG W/ A-KEY	
NS	EC-141761	1	DTM SERIES 12-SOCKET PLUG W/ B-KEY	
NS	EC-141771	23	DTM SERIES, SOCKET CONTACT, STAMPED	
NS	EC-145671	4	DTM SERIES, PLUG, SEALING	
NS	EC-145671	6	PLUG, SEALING, DTM	
NS	EC-146501	1	CONNECTOR, STANDARD POWER STRIP	
NS	EC-146511	4	PLUG, GRAY, 2-SOCKET	
NS	EC-146521	4	WEDGE, BLACK, 2-SOCKET W/BKEY	
NS	EC-146531	1	Y-CONNECTOR, BLACK	
NS	EC-146541	1	PLUG, GRAY, W/120 OHM RESISTOR	
NS	EC-146581	16	DTM SERIES, SOCKET CONTACT, SOLID	
NS	ET-ST-20#10	8	TERMINAL, RING, #10, 20 GA., NON-INSULATED	
NS	ET-ST-2004	1	TERMINAL, RING, 1/4, 20 GA. NON-INSULATED	

6 HYDRAULICS

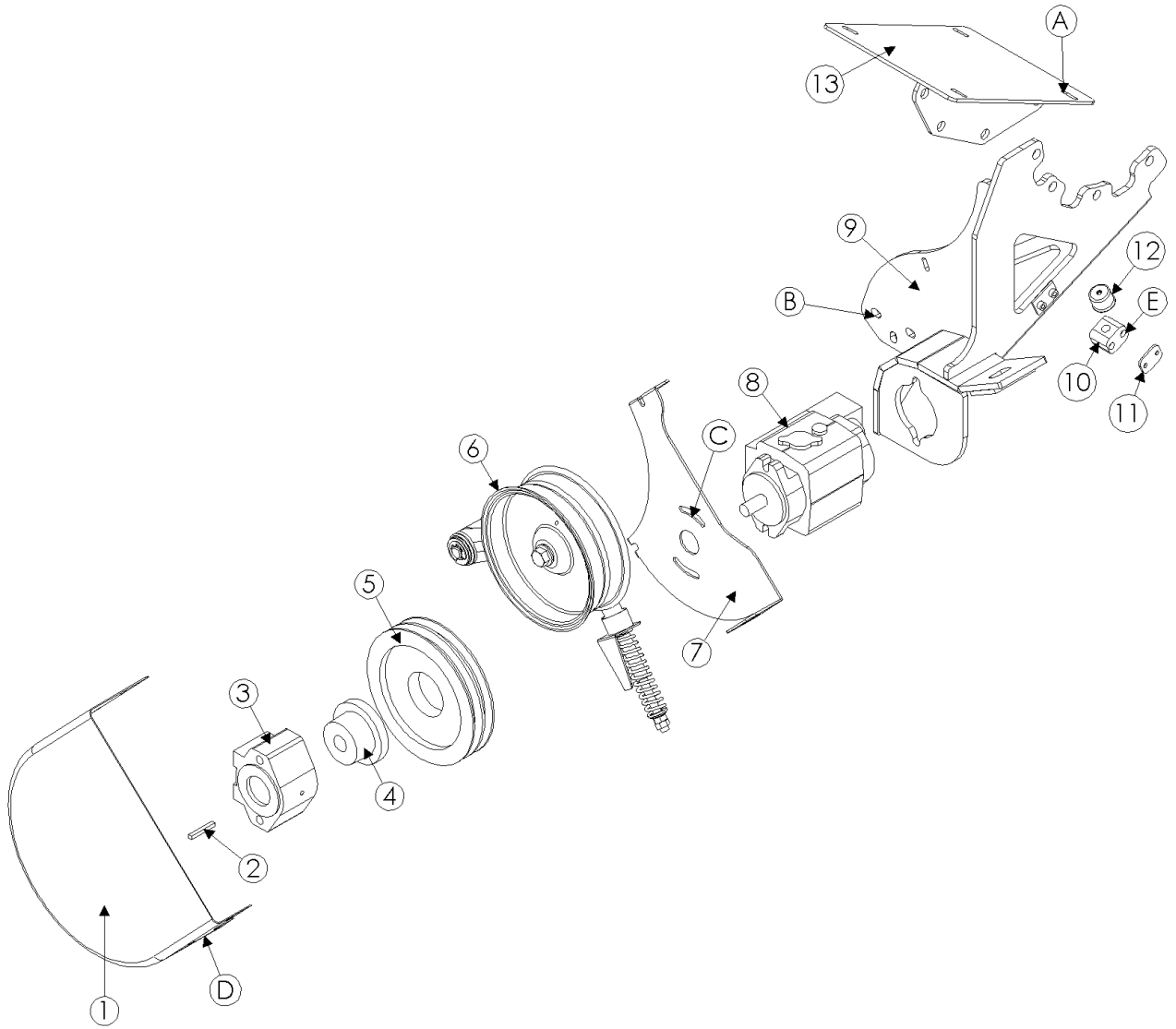


Model 2970S Hillco Leveling System
For Serial Numbers 2970S-1501 thru 2970S-1599

HYDRAULIC COMPONENTS				
REF.	PART NO.	QTY.	PART NAME	NOTES
1	HC-138901	2	VALVE, COUNTER BALANCE	
..	HC-139161	2	CARTRIDGE, COUNTERBALANCE VALVE	
..	HC-139171	2	BODY, COUNTERBALANCE VALVE	
NS	HC-140361	2	SEAL KIT, COUNTERBALANCE VALVE	
2	HC-140312	2	CYLINDER, MAIN LEVELING	
NS	HC-142451	2	SEAL KIT, MAIN LEVELING CYLINDER	
3	HC-140341	1	CYLINDER, MASTER	
NS	HC-134201	1	SEAL KIT, MASTER CYLINDER	
4	HC-138581	1	CYLINDER, SLAVE	
NS	HC-141281	1	SEAL KIT, SLVE CYLINDER	
FOR STANDARD TRANSMISSIONS ONLY				
5	LM-261081	1	HMBLOCK, CODE 62 90°	MOUNTS TO BOTTOM PORT ON HYDRO MOTOR
6	HC-143361	1	CODE 62/CODE 62 ELBOW	MOUNTS TO BOTTOM PORT ON HYDRO MOTOR
7	HC-143371	1	CODE 62 90° ROTATIONAL ADAPTER	MOUNTS TO BOTTOM PORT ON HYDRO MOTOR
HYDRAULIC FASTENERS				
A	F-SSS-04F04	8	SET SCREW, 1/4-28 X 1/4	ALL CYLINDERS
B	F-HC8-07C24	8	HC8 7/16-14 X 1-1/2	CODE 62 SPLT FLANGE
C	F-HC8-07C52	8	HC8 7/16-14 X 3-1/4	THESE FASTENERS COME WITH ELBOWS
C	F-LWH-07	8	LW 7/16 HD	THESE FASTENERS COME WITH ELBOWS
D	F-SHC-07C20	4	SHCS 7/16-14 X 1-1/4	THESE FASTENERS COME WITH ROTATIONAL ADAPTER
D	F-LWHC-07	4	LW 7/16 HD HIGH COLLAR	THESE FASTENERS COME WITH ROTATIONAL ADAPTER
CODE 62 SPLIT FLANGE CONNECTOR KIT ASSEMBLY AND FASTENERS				
ASM	HC-101843	2	CODE 62 SLT FLNG CONNECTOR KIT WITH O-RINGS	FWD AND REVERSE PROPULSION HOSES
ONE HC-101843 KIT INCLUDES:				
8	HC-134911	3	O-RING, CODE 62 CONNECTOR	
9	HC-137891	1	PLATE, CODE 62	
10	HC-137901	2	CODE 62, #16 SPLIT FLANGE KIT	
NS	F-HC8-07C44	4	HC8 7/16 X 2-3/4	
NS	F-HN8-07C	4	HN8 7/16-14	
PRO-DRIVE OPTION				
NS	LM-272092	2	CODE 62 90° ROTATIONAL ADAPTER 1	FLT 1018 CD 1 -1/4 X 4
NS	LM-273011	8	HM FLANGE, CODE 62, #20	HYDRO HOSE EXTENSIONS
NS	HC-147621	8	O-RING, CODE 62, 1-1/4"	HYDRO HOSE EXTENSIONS
NS	LM-272161	2	HM PLT, CODE 62 1-1/4 UNION	
NS	LM-272082	2	HMBLOCK, CODE 62 90° 1-1/4	
NS	F-LW-09	8	LW 9/16 HD	ELBOW TO ROTATIONAL ADAPTER
NS	F-LWHC-09	8	LW 9/16 HD HIGH COLLAR	ROTATIONAL ADAPTER
NS	F-HC-14M045E	8	HC 10.9 M14 X 2.0 X 45 PLT	CODE 62 SPLT FLANGE TO ELBOW
NS	F-HC-14M090E	8	HC-10.9 M14 X 2.0 X 090	ELBOW TO ROTATIONAL ADAPTER
NS	F-SHC-14M030D	8	SHCS-12.9 M14X2.0 X30	ROTATIONAL ADAPTER
NS	F-HC-14M090E	8	HC-10.9 M14 X 2.0 X 090	CODE 62 UNION
NS	F-HNS-14ME	8	HN-10.9 M14 X 2.0 STOVER	CODE 62 UNION
NS	LA-263452	1	HM ASM, PFC PUMP/IDLER & STAND	

Model 2970S Hillco Leveling System
For Serial Numbers 2970S-1501 thru 2970S-1599

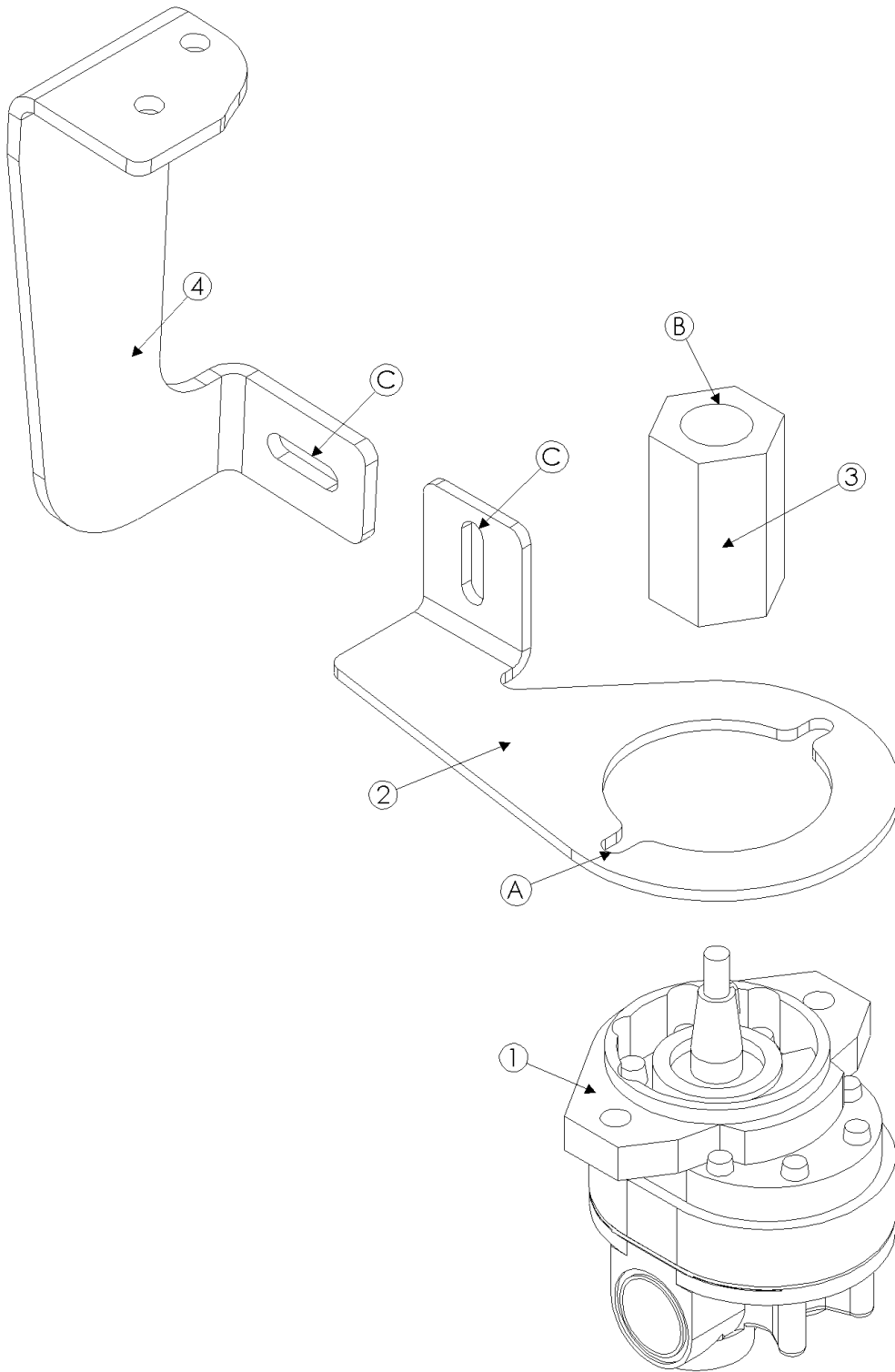
PFC PUMP OPTION



Model 2970S Hillco Leveling System
For Serial Numbers 2970S-1501 thru 2970S-1599

PFC PUMP OPTION COMPONENTS				
REF.	PART NO.	QTY.	PART NAME	NOTES
ASM	LA-263452	1	HM ASM, PFC PUMP/IDLER & STAND	
NS	MC-145781	2	DRIVE BELT	GATES 5VX750
1	MC-145851	1	CAP, CHOPPER DRIVE	PUMP DRIVE SHIEVE
2	LS-235291	1	HM KEY, OHLA	
3	HC-141531X	1	ADAPTER, OVER-HUNG LOAD (300 SERIES)	HM ASM, PFC PUMP
4	MC-103071	1	SK-1 HUB	OHLA
5	MC-103069	1	8.5" 2 GROOVE 5VX SHIEVE	OHLA
6	LA-263371	1	IDLER ASM	
7	LP-264081	1	HM PLT, MOUNT CAP	
8	HC-133151	1	PUMP, HYDRAULIC PFC-116	HM ASM, PFC PUMP
9	LA-263432	1	HM ASM, MOUNT (PFC PUMP)	
10	HC-145881	1	BEHRINGER STANDARD CLAMP (.500 DIAMETER)	OHLA BREATHER HOSE
11	HC-145891	1	BEHRINGER STANDARD COVER PLATE (FOR .500)	OHLA BREATHER HOSE
12	HC-143251	1	METAL FILTER BREATHER, 10 MICRON	OHLA BREATHER PORT
13	LA-272021	1	CM ASM, INSTALL STAND	
PFC PUMP OPTION FASTENERS				
REF.	PART NO.	QTY.	PART NAME	WHERE USED
A	F-HCF-12M030E	4	FLHC 10.9 M12 X 1.75 X 30	INSTALL STAND
A	F-HNF-12ME	4	FLHN 10.9 M12 X 1.75	INSTALL STAND
B	F-HCF-12M030E	3	FLHC 10.9 M12 X 1.5 X 30	FLHC 10.9 M12 X 1.5 X 31
B	F-HNF-12ME	3	FLHN 10.9 M12 X 1.75	IDLER ARM ASM TO BRACKET
C	F-HCF-10M120E	2	FLHC 10.9 M10 X 1.50 X 120	PUMP/OHLA TO BRACKET
C	F-HNF-10ME	2	FLHN 10.9 M10 X 1.5	PUMP/OHLA TO BRACKET
D	F-HCF-08M020E	3	FLHC 10.9 M8 X 1.25 X 20	CAP TO MOUNTING BRACKET
D	F-HNF-08ME	3	FLHN 10.9 M8 X 1.25	CAP TO MOUNTING BRACKET
E	F-HC5-04C24	2	HC5 1/4-20 X 1-1/2	BEHRINGER CLAMP FOR OHLA BREATHER HOSE

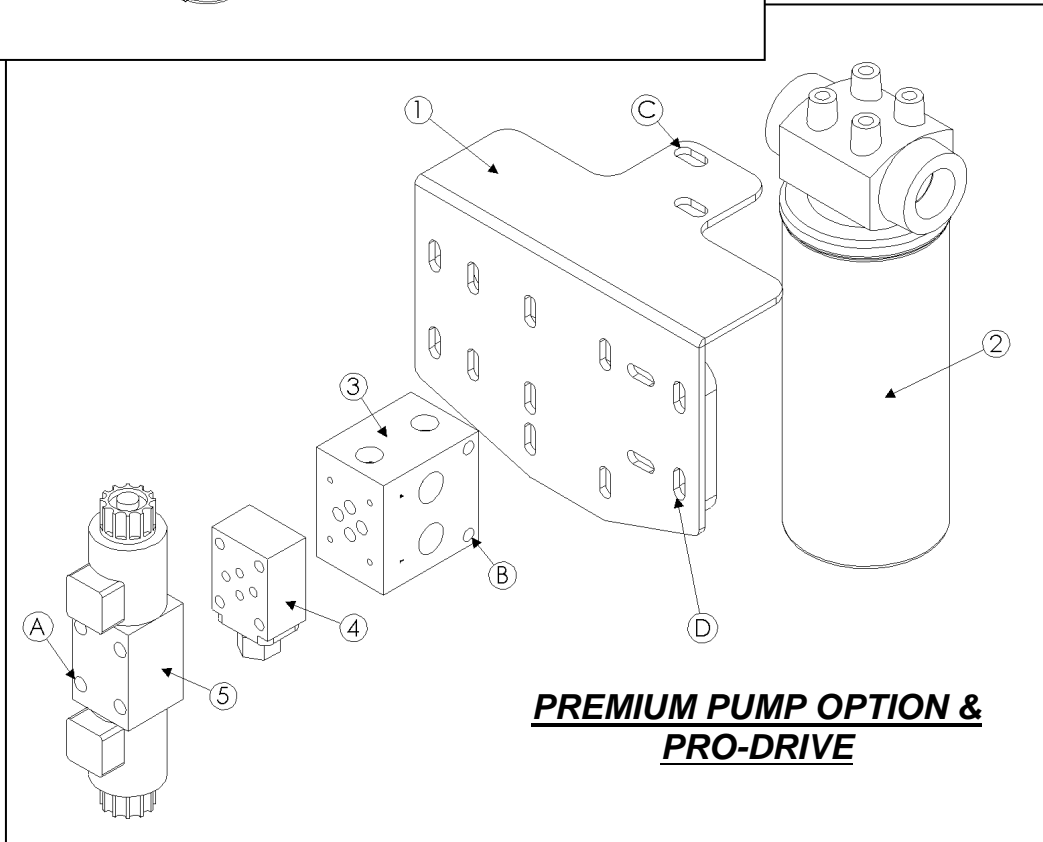
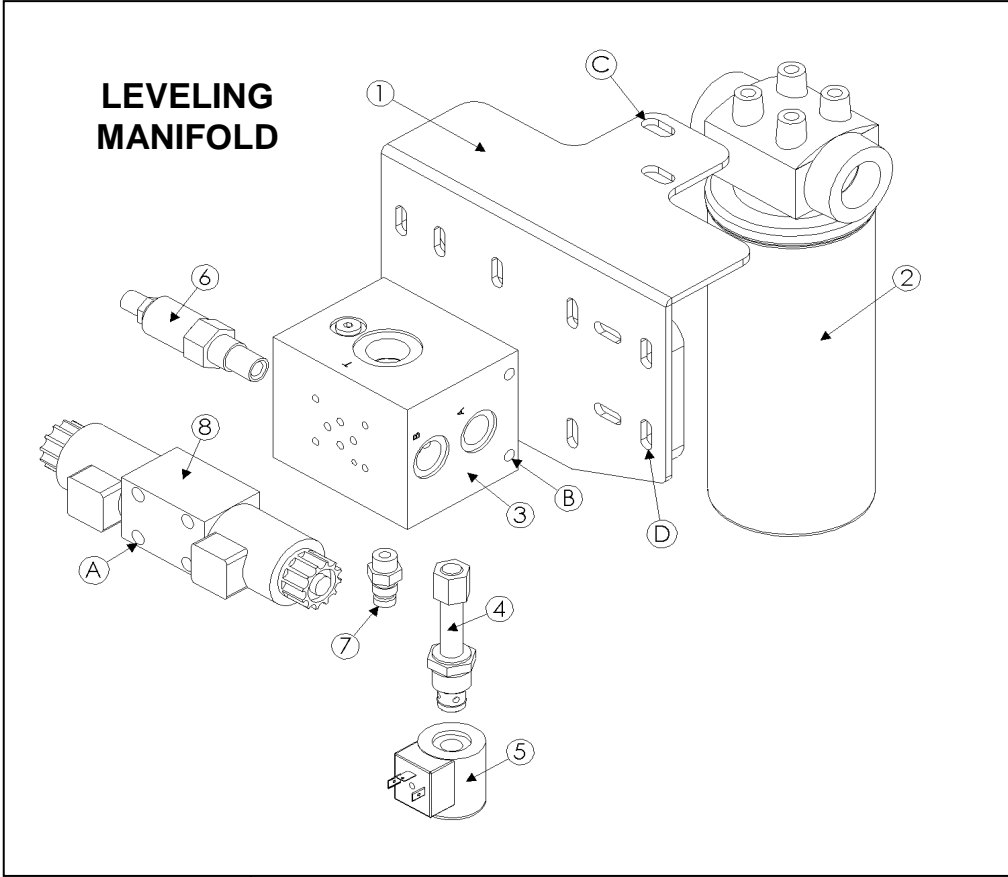
Model 2970S Hillco Leveling System
For Serial Numbers 2970S-1501 thru 2970S-1599
REEL PUMP OPTION



Model 2970S Hillco Leveling System
For Serial Numbers 2970S-1501 thru 2970S-1599

REEL PUMP OPTION COMPONENTS				
REF.	PART NO.	QTY.	PART NAME	NOTES
ASM	LA-276581	1	PUMP ASSEMBLY	REEL OPTION
1	HC-148181	1	HYDRAULIC PUMP ASSEMBLY	
2	LP-276551	1	HM PLT, MOUNT, PUMP ANTI-ROTATION	
3	LM-276541	1	HM HEX, COUPLER, GEAR PUMP	
4	LP-276561	1	HM PLT, ANTI-ROTATION	NOT INCLUDED IN LA-276581
NS	MC-148341	1	PAD-BUMPER JD# H113751	NOT INCLUDED IN LA-276581
NS	MC-137531	1	COVER PLATE W/ 5/16" HOLE	NOT INCLUDED IN LA-276581
REEL PUMP OPTION FASTENERS				
REF.	PART NO.	QTY.	PART NAME	WHERE USED
A	F-HCF-10M035E	2	FLHC-10.9 M10 X 1.50 X 35	ANTI-ROTATION PLATE TO PUMP
A	F-HNSF-10ME	2	FLHN-10.9 M10 X 1.50 STV	ANTI-ROTATION PLATE TO PUMP
B	F-FW-06	1	FW 3/8	PUMP COUPLER TO PUMP
B	F-HNN-06C	1	HN 3/8-16, NYLOCK	PUMP COUPLER TO PUMP
C	F-HCF-10M040E	3	FLHC-10.9 M10 X 1.50 X 40	ANTI -ROTATION PLATES JOINT& MNT
C	F-HNSF-10ME	1	FLHN-10.9 M10 X 1.50 STV	ANTI -ROTATION PLATES JOINT& MNT
NS	F-HCF-08M100E	1	FLHC-10.9 M8 X 1.25 X 100	BEHRINGER CLAMP FOR SUCTION & PRESSURE LINES
NS	F-HNF-08ME	1	FLHN-10.9 M8 X 1.25	BEHRINGER CLAMP FOR SUCTION & PRESSURE LINES

Model 2970S Hillco Leveling System
 For Serial Numbers 2970S-1501 thru 2970S-1599
HYDRAULIC LEVELING MANIFOLD

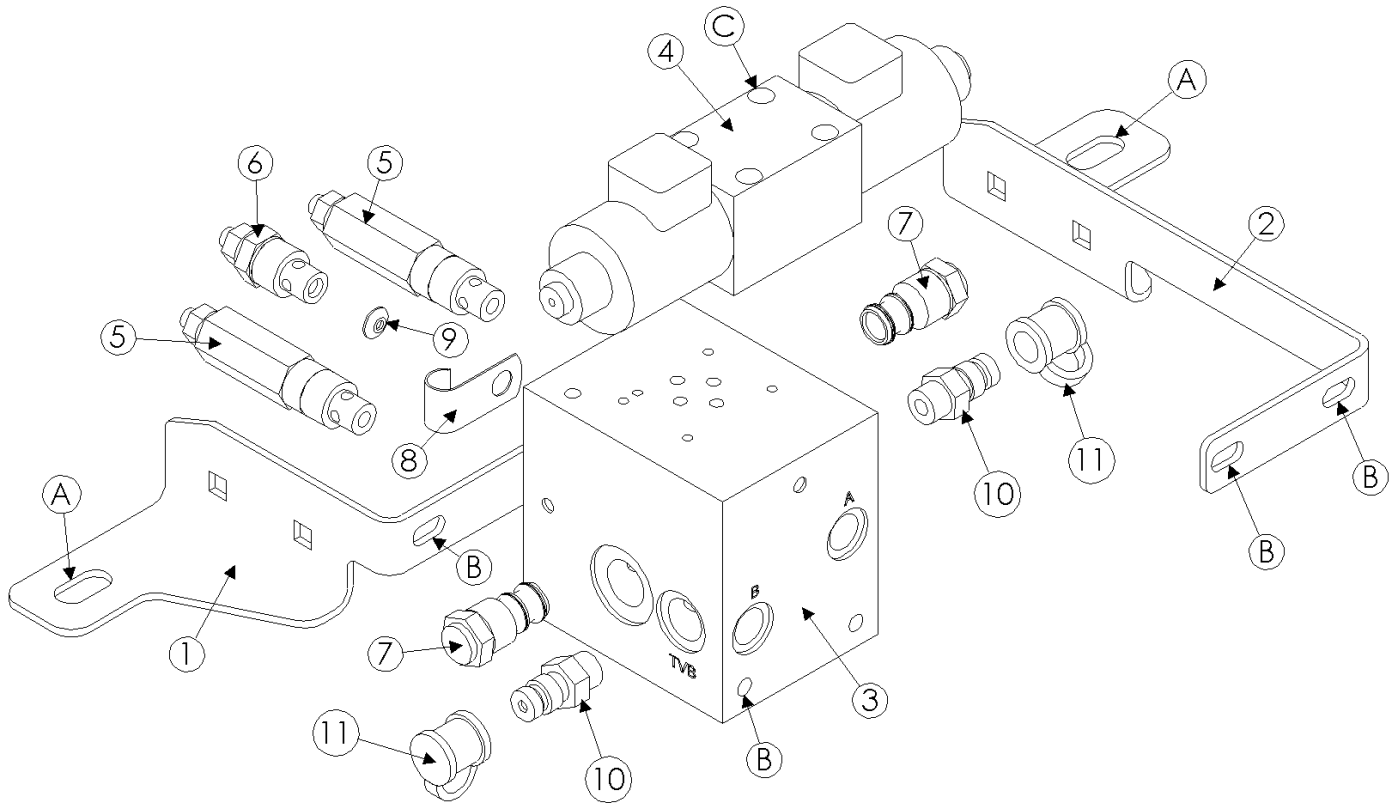
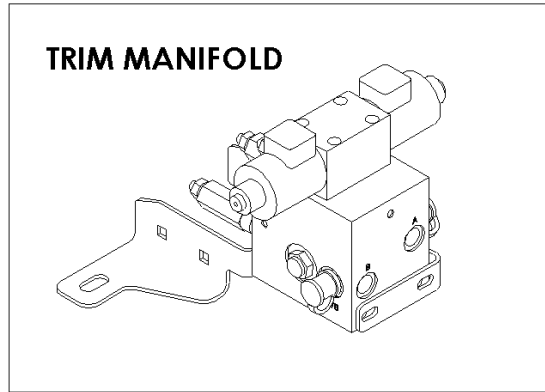


****Note:** Be sure you are looking at the correct manifold drawing as well as the correct description of parts on the page to the right.

Model 2970S Hillco Leveling System
For Serial Numbers 2970S-1501 thru 2970S-1599

LEVELING MANIFOLD COMPONENTS				
REF.	PART NO.	QTY.	PART NAME	NOTES
ASM	LA-263363	1	HM ASM, MANIFOLD/FILTER	
FOR ALL COMBINES				
1	LA-266361	1	HM ASM, MANIFOLD MNT	
2	HC-143441	1	FILTER ASM, OIL	RETURN LINE TO TANK
3	HC-146353	1	MANIFOLD, CUSTOM LEVELING	
4	HC-146362	1	CARTRIDGE, DUMP VALVE	
5	HC-136372	1	COIL, DUMP VALVE	
6	HC-142991	1	RELIEF VALVE CARTRIDGE	
7	HC-143991	1	QUICK-CONNECT COUPLER	
8	HC-140411	1	VALVE, DIRECTIONAL CONTROL, PROPORTIONAL	LEVELING PORTION OF MANIFOLD
LEVELING MANIFOLD COMPONENTS FOR PREMIUM PUMP				
ASM	LA-263701	1	HM ASM, MANIFOLD/FILTER	
REF.	PART NO.	QTY.	PART NAME	NOTES
ASM	LA-249684	1	MANIFOLD ASM, LEVELING	
1	LA-266361	1	HM ASM, MANIFOLD MNT	
2	HC-143441	1	FILTER ASM, OIL	RETURN LINE TO TANK
3	HC-138861	1	MANIFOLD, SINGLE STATION	
4	HC-101264	1	LOAD SENSE SHUTTLE ASM	
5	HC-140411	1	VALVE, DIRECTIONAL CONTROL, PROPORTIONAL	
LEVELING MANIFOLD FASTENERS				
REF.	PART NO.	QTY.	PART NAME	WHERE USED
A	F-SHC-#10C32	4	SHCS 10-24 X 3-1/4	LEVELING SECTION OF MANIFOLD
A	F-LW-#10	4	LW #10	LEVELING SECTION OF MANIFOLD
B	F-HCF-05C08	8	FLHC 5/16-18 X 1/2	MANIFOLD TO MANIFOLD MOUNT
C	F-HCF-10M020E	2	FLHC 10.9 M10 X 1.50 X 20	FILTER HOUSING TO MOUNTING BRACKET
D	F-HCF-08M040E	4	FLHC 10.9 M8 X 1.25 X 40	MOUNTING BRACKET TO CHASSIS
D	F-HNF-8ME	8	FLHN 10.9 M8 X 1.25	MOUNTING BRACKET TO CHASSIS

Model 2970S Hillco Leveling System
For Serial Numbers 2970S-1501 thru 2970S-1599
HYDRAULIC TRIM MANIFOLD



Model 2970S Hillco Leveling System
For Serial Numbers 2970S-1501 thru 2970S-1599

TRIM MANIFOLD COMPONENTS				
REF.	PART NO.	QTY.	PART NAME	NOTES
ASM	LA-263723	1	MANIFOLD ASM, TRIM	
1	LP-273881	1	HM PLT, MANIFOLD MOUNT (LEFT)	
2	LP-273871	1	HM PLT, MANIFOLD MOUNT (RIGHT)	
3	HC-145441	1	MANIFOLD, CUSTOM TRIM	
4	HC-143011	1	VALVE, DIRECTIONAL CONTROL, BANG/BANG	
5	HC-145431	2	RELIEF, POPPET DIRECT ACTING	SET AT 1800 PSI
6	HC-145501	1	VALVE, NEEDLE	
7	HC-145511	2	PILOT OPERATED CHECK	
8	HC-146661	1	CLAMP, COATED J	JD# T32231
9	LM-265561	1	ORIFICE, NEEDLE VALVE	
10	HC-143991	2	HYDRAULIC QUICK-CONNECT COUPLER AH125760	
NS	HC-144007	2	COVER, DUST	JD# 77175
TRIM MANIFOLD FASTENERS				
REF.	PART NO.	QTY.	PART NAME	WHERE USED
A	F-HCF-10M030E	2	FLHC 10.9 M10 X 1.50 X 30 PLT	TRIM MANIFOLD MOUNT
A	F-HNF-10ME	2	FLHN-10.9 M10 X 1.50 PLT	TRIM MANIFOLD MOUNT
B	F-HCF-05C08	4	FLHC 5/16-18 X1/2	MANIFOLD TO MANIFOLD MOUNT
C	F-SHC-#10C28	4	SHCS 10-24 X 1-3/4	DIRECTIONAL CONTROL TO MANIFOLD
C	F-LW-#10	4	LW #10	DIRECTIONAL CONTROL TO MANIFOLD

Model 2970S Hillco Leveling System
For Serial Numbers 2970S-1501 thru 2970S-1599

HYDRAULIC HOSES

REF.	PART NO.	QTY.	PART NAME	WHERE USED
LEVELING HOSES				
NS	LA-271871	1	3/8" 100R2 47" #6 FORS X #6 FORS 90°	LEFT PILOT OPERATED CHECK VALVE #3 TO RIGHT PILOT OPERATED CHECK VALVE #2
NS	LA-138982	1	3/8" 100RD 57" #6 FORS X #6 FORS 90°	LEFT PILOT OPERATED CHECK VALVE #2 TO RIGHT ROD
NS	LA-141093	2	1/4" 100R2 5-7/8" #6 FORS X #6 FORS 90°	LEFT OR RIGHT PILOT OPERATED CHECK VALVE #3 TO RIGHT/LEFT ROD REAR
NS	LA-263542	1	1/2" 100R2 252" #8 FORS 90° X #6 FORS	LEVELING VALVE PORT "A" TO LEFT MAIN LEVELING ROD
NS	LA-263551	1	1/2" 100R2 252" #8 FORS X #6 FORS	LEVELING VALVE PORT "B" TO LEFT MAIN LEV CYL POCV #2
TRIM MANIFOLD HOSES				
NS	LA-143472	1	1/4" 100R2 100" #4 FORS X #4 FORS	MASTER BASE TO TEE THAT CONNECTS TO HOSE LA-139132
NS	LA-143482	1	1/4" 100R2 111" #4 FORS X #4 FORS	MASTER ROD TO TEE THAT CONNECTS TO HOSE LA-139122
NS	LA-139133	2	1/4" 100R2 235" #4 FORS X #4 FORS	SLAVE BASE TO TEE CONNECTED TO HOSE LA-143471
NS	LA-139113	1	1/4" 100R2 54" #4 FORS X #4 FORS	TRIM PORT "A" TO TEE CONNECTED TO HOSE LA-143481
NS	LA-139113	1	1/4" 100R2 54" #4 FORS X #4 FORS	TRIM PORT "B" TO TEE CONNECTED TO HOSE LA-143481
FOR COMBINES WHICH FALL WITHIN THE FOLLOWING SERIAL NUMBER BREAKS: 9650STS (ALL); 9750STS (ALL); 9660STS (-715400); 9760STS (-715500); 9860STS (-715600)				
NS	LA-145751	1	1/2" 100R2 42" #8 FORS X #10 FORS	HIC TO "P" PORT OF TRIM MANIFOLD
NS	LA-145761	1	1/2" 100R1 46" #8 FORS X #10 FORS	HIC TO "T" PORT OF TRIM MANIFOLD
FOR COMBINES WHICH FALL WITHIN THE FOLLOWING SERIAL NUMBER BREAKS: 9660STS (705401-); 9760STS (705501-); 9860 STS (705601-)				
NS	LA-263412	2	1/4" 100R2 55" #4 FORS X #4 FORS 90°	HIC TO "P" & "T" PORTS OF TRIM MANIFOLD
GREASE HOSES				
NS	LA-138943	1	3/16 R1 GREASE 25" 1/8 MPT X 1/8 MPT	MASTER BASE TO BULKHEAD #4
NS	LA-138951	1	3/16 R1 GREASE 40" 1/8 MPT X 1/8 MPT	RIGHT HAND MAIN LEVELING CYLINDER BASE TO BULKHEAD #1
NS	LA-141131	1	3/16 R1 GREASE 53" 1/8 MPT X 1/8 MPT	MAIN PIVOT TO BULKHEAD #3
NS	LA-138974	1	3/16 R1 GREASE 77" 1/8 MPT X 1/8 MPT	LEFT HAND MAIN LEV CYL BASE TO BULKHEAD #2
DROP AXLE HOSES				
NS	LA-273861	1	3/8" 100R2 15" #6 FORS X #6 MORS	EXTENDS RIGHT STEERING HOSE
NS	LA-273461	1	3/8" 100R2 15" #8 FORS X #8 MORS	EXTENDS LEFT STEERING HOSE
HYDRO HOSES				
NS	LA-140383	2	1" 100R15 79" CODE 62 SPLT FLNG 90° SHORT DROP X CODE 62 SPLT FLNG STR	HYDROSTAT FRONT & REAR HOSES
NS	LA-140403	1	3/4" 100R1 80" #12 MORS X #12 FORS	HYDRO MOTOR CASE DRAIN
NS	LA-263562	1	3/4" 100R1 30" #12 FORS X #12 FORS 45°	MANIFOLD "T" PORT TO FILTER HOUSING INLET
NS	LA-274141	1	1-1/4" 100R15 124" CODE 62 SLT FLNG 90° XR X CODE 62 SPLT FLNG STR	HYDROSTAT REAR
NS	LA-274152	1	1-1/4" 100R15 132" CODE 62 SLT FLNG 90° MR X CODE 62 SPLT FLNG STR	HYDROSTAT FORWARD
NS	LA-274151	1	1-1/4" 100R15 124" CODE 62 SLT FLNG 90° MR X CODE 62 SPLT FLNG STR	HYDROSTAT FORWARD
NS	LA-274111	1	3/4 100R1 HOSE 24IN #16 MORS STR X #16 FORS STR	HYDRO MOTOR CASE DRAIN

Model 2970S Hillco Leveling System
For Serial Numbers 2970S-1501 thru 2970S-1599
HYDRAULIC HOSES (CONTINUED)

REF.	PART NO.	QTY.	PART NAME	WHERE USED
BRAKE HOSES				
NS	LA-130371	2	#4 TITE FLEX 31" #4 FORS X #4 FORS & #4 UNION	STANDARD TRANSMISSION ONLY
NS	HA-133131	2	O-RING, TEFLON	STANDARD TRANSMISSION ONLY
NS	LA-273862	2	3/8" 100R2 25" #6 FORS X #6 MORS	EXTENDS BRAKE LINES
NS	LA-273861	2	3/8" 100R2 15" #6 FORS X #6 MORS	EXTENDS BRAKE LINES
PUMP & MANIFOLD HOSES				
NS	LA-263531	1	3/4" 100R12 46" #10 FORS 90° X #12 FORS	PRESSURE HOSE FROM PUMP TO "P" PORT
NS	LA-263571	1	1" 100R1 36" #16 FORS X #16 FORS 90°	FILTER HOUSING OUTLET TO RESERVOIR
NS	LA-143681	1	1" 100R16 (1M2T) 42" #16 FORS X #16 FORS	SUCTION HOSE FROM RUN END OF BTM TEE TO PUMP
PREMIUM PUMP HOSES				
NS	LA-133331	1	3/16 R1 GREASE 10" 1/8 MPT X 1/8 FPT	OHLA BREATHER
NS	HC-145861	1	1/2" HEATER HOSE 2-3/4" (NO ENDS) SAE20R3D2	IDLER ASM
NS	LA-263571	1	1" 100R1 HOSE 36" #16 FORS X #16 FORS 90°	RETURN LINE FROM FILTER OUTLET TO RESERVOIR
NS	LA-263562	1	3/4" 100R1 HOSE 30" #12 FORS X #12 FORS 45°	MANIFOLD "T" PORT TO FILTER INLET
NS	LA-134872	1	3/8" 100R1 HOSE 72" #6 FORS X #6 FORS 90°	PUMP CASE DRAIN TO RESERVOIR
PROPORTIONATOR HOSES				
NS	LA-273461	2	3/8 100R2 15" #8 FORS X #8 MORS	EXTENDS REAR FILTER LINE & FILTER TO VAVLE BLOCK
NS	LA-273861	1	3/8" 100R2 15" #6 FORS X #6 MORS	EXTENDS LUBE LINE PRO-DRIVE
NS	LA-274161	1	3/8" 100R2 48" #6 FORS 90° X #6 FORS	CASE DRAIN PROPORTIONATOR PUMP
NS	LA-274171	1	3/4" 100R2 16" #12 MORS X #12 FORS 90°	EXTENDS PROP MOTOR RETURN
NS	LA-274181	1	1" 100R4 35" #16 FORS X #16 FORS	SUCTION AST PUMP
NS	LA-274191	1	5/8" 100R2 16" #10 MORS X #10 FORS 90°	EXTENDS PROP MOTOR SUPPLY
NS	LA-274211	1	5/8" 100R2 62" #12 FORS X #10 FORS 90°	PROPORTIONATOR PUMP TO FILTER
NS	LA-274201	1	5/8" 100R2 40" #8 FORS 90° X #12 FORS	FILTER OUTLET LINE TO VALVE BLOCK
FOR COMBINES WHICH FALL WITHIN THE FOLLOWING SERIAL NUMBER BREAKS: 9650STS (ALL); 9750STS (ALL); 9660STS (-715400); 9760STS (-715500); 9860STS (-715600)				
NS	LA-134822	1	1/4" 100R2 HOSE 63" #4 FORS X #4 FORS 90°	LOAD SENSE LINE
NS	LA-134832	1	3/4" 100R12 HOSE 54" #12 FORS X #12 FORS	PRESSURE FROM PUMP TO MANIFOLD
NS	LA-134862	1	1" 100R16 (1M2T) 71" #16 FORS X #16 FORS 90°	PUMP SUCTION
FOR COMBINES WHICH FALL WITHIN THE FOLLOWING SERIAL NUMBER BREAKS: 9660STS (705401-); 9760STS (705501-); 9860 STS (705601-); AND ALL 70 SERIES				
NS	LA-145721	1	1/4" 100R2 79" #4 FORS X #4 FORS 90°	LOAD SENSE LINE
NS	LA-145731	1	3/4" 100R12 70" #12 FORS X #12 FORS	PRESSURE FROM PUMP TO MANIFOLD
NS	LA-145741	1	1" 100R16 (1M2T) 62" #16 FORS X #16 FORS 90°	PUMP SUCTION

Model 2970S Hillco Leveling System
For Serial Numbers 2970S-1501 thru 2970S-1599

HYDRAULIC ADAPTERS

REF.	PART NO.	QTY.	PART NAME	WHERE USED
LEVELING MANIFOLD ADAPTERS				
NS	HA-L-12MF16MO	1	#16 MORB X #12 MORS 90°	INLET PORT ON FILTER HOUSING
NS	HA-L-16MF16MO	1	#16 MORB X #16 MORS 90°	OUTLET PORT ON FILTER HOUSING
NS	HA-L-8MF8MO	2	#8 MORB X #8 MORS 90°	"A" & "B" LEVELING PORTS
NS	HA-L-12MF12MO	1	#12 MORB X #12 MORS 90°	"P" PORT
NS	HA-S-12MF12MO	1	#12 MORB X #12 MORS STR	
MAIN CYLINDER ADAPTERS				
NS	HA-Q-6MF6MO	2	#6 MORB X #6 MORS BRANCH TEE	LEFT & RIGHT LEVELING CYLINDER ROD
NS	HA-L-6FF6MF	2	#6 FORS X #6 MORS 90°	LEFT & RIGHT LEVELING CYLINDER ROD
NS	HA-T-6MF6MO	1	#6 MORS X #6 MORB STR THREAD	
NS	HA-L-6MF6MO	3	#6 MORS X #6 MORB 90°	POPERATED CHECK VALVE #2,#3 LEFT & RIGHT
NS	HA-L-6FF6MF	1	#6 FORS X #6 MORS 90°	RIGHT LEVELING CYLINDER ROD
NS	HA-M-6FF6MF	2	#6 FORS X #6 MORS SWIVEL NUT RUN TEE	LEFT MAIN LEVELING CYLINDER ROD/ LEFT PILOT OPERATED CHECK VALVE #2
MASTER & SLAVE CYLINDER ADAPTERS				
NS	HA-L-4MF6MO	2	#4 MORS X #6 MORB 90°	MASTER CYLINDER ROD AND BASE
NS	HA-L-4MF6MO	2	#4 MORS X #6 MORB 90°	SLAVE CYLINDER ROD AND BASE
GREASE FITTING ADAPTERS				
NS	HC-135881	2	1/4-28 MALE X 1/8 FPT STR	MASTER LEVELING CYLINDER BASE
NS	HC-135771	3	1/4-28 MALE X 1/8 FPT 90°	MAIN LEVELING CYLINDER BASE
NS	HA-NJ-2FN	4	1/8" NPSM BULKHEAD LOCKNUT	BULKHEAD CONNECTOR
NS	HA-S-2FP2MN	4	1/8" NPSM X 1/8" FPT BULKHEAD CONNECTOR	GREASE BULKHEAD MOUNT
NS	HC-138011	4	1/4-28 STRAIGHT ZERK	ALL GREASE LINES
TRIM MANIFOLD ADAPTERS				
NS	HA-L-4MF4MO	2	#4 MORB X #4 MORS 90°	"A" & "B" PORTS
NS	HA-S-8MF8MO	2	#8 MORS X #8 MORB STRAIGHT	"P" & "T" PORTS
EARLY SERIAL NUMBER ADAPTERS				
NS	HA-T-16MF16MO	2	#16 MORBX #16 MORS STR THREAD RUN TEE	PUMP SUCTION & RETURN AT RESERVIOR
NS	HA-S-16FF12MF	1	#16 FORS X #12 MORS REDUCER	COOLER TEE
NS	HA-L-10FF10MF	1	#10 FORS X #10 MORS 90°	RETURN OF STACK VALVE
NS	HA-M-10FF10MF	2	#10 ORS SWIVEL NUT RUN TEE	PRESSURE/RETURN STACK VALVE
LATE SERIAL NUMBER ADAPTERS				
NS	HA-L-16MF16MO	1	#16 MORB X #16 MORS 90°	SUCTION PORT (RES)
NS	HA-M-16FF16MF	2	#16 FORS X #16 MORS SWIVEL NUT RUN TEE	SUCTION PORT (RES)
NS	LM-265311	2	ADAPTER, HIC MANIFOLD, MOD	PRESSURE & RETURN OF HIC MANIFOLD
NS	HA-L-8MF8MO	2	#8 FORS X #4 MORS REDUCER	P/T TRIM MANIFOLD D-101017ADL01A
COMMON ADAPTERS				
NS	HA-Y-4MF4MF	2	#4 MORS UNION TEE	SLAVE/MASTER UNION

Model 2970S Hillco Leveling System
 For Serial Numbers 2970S-1501 thru 2970S-1599
HYDRAULIC ADAPTERS (CONTINUED)

REF.	PART NO.	QTY.	PART NAME	WHERE USED
NORTHWEST OPTION ADAPTERS				
NS	HA-E-10MO	1	#10 MORB SOCKET HEAD PLUG (ZERO-LEAK)	"T" PORT
NS	HA-L-12MF10MO	1	#10 MORB X #12 MORS 90°	"P" PORT
NS	HA-S-12MF10MO	1	#10 MORB X #12 MORS STR	"T" PORT
NS	HA-L-8MF8MO	2	#8 MORB X #8 MORS 90°	"A" & "B" LEVELING PORTS
NS	HA-L-4MF4MO	1	#4 MORB X #4 MORS 90°	LOAD SENSE SHUTTLE
NS	HA-S-6FO10MO	1	#6 FORB X #10 MORB STR	"P" PORT
NS	HA-T-6MF6MO	1	#6 MORS X #6 MORB STR THREAD RUN TEE	CASE DRAIN
NS	HA-C-6FF	1	#6 FORS CAP	CASE DRAIN
PFC PUMP OPTION ADAPTERS				
NS	HA-S-12MO16MF	1	#12 MORB X #16 MORS STR.	PUMP SUCTION
NS	HA-L-16FF16MF	1	#16 MORS X #16 FORS 90°	ATTACHED TO HA-S-12MO16MF
NS	HA-L-12MF10MO	1	#10 MORB X #12 MORS 90°	PUMP PRESSURE
NS	HA-L-4MF4MO	1	#4 MORB X #4 MORS 90°	PUMP LOAD SENSE
NS	HA-L-6MF6MO	1	#6 MORB X #6 MORS 90°	PUMP CASE DRAIN
NS	HC-145001	1	1/8" PIPE STREET ELBOW	OHLA BREATHER PORT
MIDWEST OPTION ADAPTERS				
NS	HA-L-16MF16MO	1	#16 MORB X #16 MORS 90°	SUCTION PORT PUMP
NS	HA-T-10MF10MO	1	#10 MORS X #10 MORB STR THREAD RUN TEE	PRESSURE PORT
NS	LA-263651	1	HM ORIFICE ASM, PUMP ASM	MIDDLE LEG OF TEE
PRO-DRIVE OPTION ADAPTERS				
NS	HA-L-12MF12FF	1	#12 FORS X #12 MORS 90°	PROPORTIONATOR MOTOR TO SENSOR
NS	HA-L-6FP6MP	1	3/8 MPT 90° STREET EL	TURNS DR VERTICAL
NS	HA-F-16FF16MF	1	#16FORS X #16 MORS 45°	SUCTION AT PUMP
NS	HA-L-12MF12FF	1	#12 FORS X #12 MORS 90°	PROPORTIONATOR PUMP TO FILTER
NS	HA-L-6FF6MF	1	#6 FORS X #6 MORS 90°	EXTENDS LUBE LINE PRO-DRIVE
NS	HA-L-8FF8MF	1	#8 FORS X #8 MORS 90°	EXTENDS REAR FILTER LINE
NS	HA-S-16MF20MO	1	#20 MORB X #16 MORS STRAIGHT	SUCTION AST PUMP
NS	HA-D-12MO12MF	1	#12MORS X #12MORB 90° EXTRA LONG DROP	RETURN LINE OF MOTOR
COMBINES WITH CONTOUR MASTER				
NS	HA-E-6MF	1	#6 MORS PLUG	CONTOUR MASTER HOSES
NS	HA-E-4MF	1	#4 MORS PLUG	CONTOUR MASTER HOSES

Model 2970S Hillco Leveling System
For Serial Numbers 2970S-1501 thru 2970S-1599

7 MISCELLANEOUS

DECALS AND LITERATURE				
REF.	PART NO.	QTY.	PART NAME	DESCRIPTION
NS	LL20-100782	1	CAUTION LEVELING SYSTEM CAB	WINDOW IN CAB
NS	LL20-100783	2	DANGER, CRUSHING HAZARD	RIGHT & LEFT UNDERCARRIAGE
NS	LL20-100783	2	DANGER, CRUSHING HAZARD	SIDES OF DROP AXLE ASSEMBLY
NS	LL20-100784	2	DECAL, DANGER PINCH POINT	RIGHT & LEFT UPPER TRANS FACE PLT
NS	LL20-100786	1	WARNING ELECTRICAL CRUSHING HAZARD	FRONT OF ELECTRICAL CONTROL BOX
NS	LL20-100787	1	CAUTION - LEVELING SYSTEM HAZARD	ON LADDER PLATFORM
NS	LL20-100788	1	DANGER - HYDRAULIC HAZARD	ON SIDE OF COMBINE ABOVE THE HYDRAULIC MANIFOLD
NS	LL20-100788	2	DANGER - HYDRAULIC HAZARD	1 - EACH MAIN CYLINDER
NS	LL-133741	1	LABEL, GREASE 50 HRS	OC BULKHEAD
NS	LL-133741	2	LABEL, GREASE 50 HRS	RIGHT & LEFT MAIN LEV CYL BOTTOM
NS	LL-133741	1	LABEL, GREASE 50 HRS	MASTER CYLINDER ROD
NS	LL-141301	2	DECAL, SIDEHILL LEVELING SYSTEM	SIDE OF COMBINE
NS	LL-143621	2	DANGER, AVOID CRUSHING INJURY	IN AREA NEAR SAFETY STOP STORAGE LOCATION
NS	LL-147651	1	LABEL, FEMA MEMBER TAG	NEAR SERIAL NUMBER TAG
NS	LA-255961	1	TAG, SERIAL NUMBER	
NS	LL-274401	1	LIMIT SWITCH WARNING LABEL	INSTALLED ON 1 LIMIT SWITCH
NS	D101017ADL01A	1	MANUAL, PARTS	
NS	D-040820CLA02	1	MANUAL, OPERATORS	
NS	D-050611SLR01	1	WARRANTY REGISTRATION CARD	
HOSE CLAMPS AND FASTENERS				
NS	MC-137521	3	TANDEM CLAMPING HALVES BEHRINGER (PAIR)	HYDROSTAT HOSES
NS	MC-137531	3	COVER PLATE W/ 5/16 HOLE (BEHRINGER)	HYDROSTAT HOSES
NS	F-HCF-08M090F	2	FLHC-8.8 M8 X 1.25 X 90	BEHRINGER CLAMP FOR HYDRO HOSES
NS	F-HNF-08ME	5	FLHN-10.9 M8 X 1.25	BEHRINGER CLAMP FOR HYDRO HOSES
NS	F-HC-08M100F	2	HC-8.8 M8 X 1.25 X 100	BEHRINGER CLAMP FOR HYDRO HOSES
NS	F-HC-08M120F	1	HC-8.8 M8 X 1.25 X 120	BEHRINGER CLAMP FOR HYDRO HOSES
NS	MC-135631	2	CLAMP, HOSE 1-1/2 R/C W 3/8 HOLE	CLAMP, GREASE LINES/ TRIM HOSES
NS	HC-142061	1	SLEEVE, ABRASION, SHIFT CABLE 36"	SLEEVE, ABRASION, SHIFT CABLE
NS	HC-139221	2	CLAMP, 1/4" TUBE TANDEM (PAIR)	BRAKE LINES
NS	HC-139231	4	CLAMP, COVER PLATE FOR 1/4" TUBE CLAMP	BRAKE LINES
NS	F-HNF-08ME	1	FLHN- 10.9 M8 X 1.25	BRAKELINE TANDEM CLAMP
NS	F-HCF-8M050E	1	FLHC- 10.9 M8 X 1.25 X 50	BRAKELINE TANDEM CLAMP
NS	HC-143601	3	CLAMP, HOSE 1-1/8" R/C 3/8" HOLE	GREASE HOSES & MASTER CYLINDER HOSES
NS	MC-135631	1	CLAMP, HOSE 1-1/2 R/C 3/8" HOLE	CLAMP TRIM HOSES UNDER FEEDER HOUSE
NS	HC-143601	1	CLAMP, HOSE 1-1/8" R/C 3/8" HOLE	CLAMP TRIM HOSES UNDER FEEDER HOUSE
NS	HC-143601	2	CLAMP, HOSE 1-1/8" R/C 3/8" HOLE	CASE DRAIN HOSE
NS	MC-101343	2	CLAMP, HOSE 2-7/16" R/C 3/8" HOLE	PRESSURE AND RETURN HOSES ABOVE HYDRO HOSES
NS	F-HCF-8M020E	2	FLHC-10.9 M8 X 1.25 X 20	HOSE CLAMPS FROM MANIFOLD TO OC
NS	F-HNF-8ME	2	FLHN-10.9 M8 X 1.25	HOSE CLAMPS FROM MANIFOLD TO OC
NS	MC-135791	4	CLAMP, HOSE 7/8" R/C W/ 3/8 HOLE	SHIFTING CABLE & HDR LIFT CYL HOSE
NS	HC-133541	1	ABRASION SLEEVE	LEVELING AND TRIM HOSES FROM OC
NS	HC-143581	2	SLEEVE, ABRASION	MASTER & SLAVE CYLINDER HOSES

Model 2970S Hillco Leveling System
For Serial Numbers 2970S-1501 thru 2970S-1599

8 PART NUMBER INDEX

PART NUMBER	PAGE NUMBER		PART NUMBER	PAGE NUMBER		PART NUMBER	PAGE NUMBER
D-040820CLA02	7-1		F-HCF-16M050E	4-2		HA-L-12MF12MO	6-13
D-050611SLR01	7-1		F-HCF-16M060E	4-2		HA-L-12MF16MO	6-13
D101017ADL01A	7-1		F-HCF-16M110E	3-4		HA-L-16FF16MF	6-14
EC-100557	5-2		F-HCF-20M110E	3-4		HA-L-16MF16MO	6-13, 6-14
EC-100692	5-2		F-HCF-8M020E	3-4		HA-L-4MF4MO	6-13, 6-14
EC-133281	5-4		F-HCF-8M020E	7-1		HA-L-4MF6MO	6-13
EC-138781	5-2		F-HCF-8M050E	7-1		HA-L-6FF6MF	6-13, 6-14
EC-139641	5-4		F-HN-#10C	5-2		HA-L-6FP6MP	6-14
EC-140851	5-4		F-HN8-07C	6-2		HA-L-6MF6MO	6-13, 6-14
EC-140861	5-4		F-HNF-#10C	5-2		HA-L-8FF8MF	6-14
EC-141741	5-4		F-HNF-#6C	5-2, 5-4		HA-L-8MF8MO	6-13, 6-14
EC-141751	5-4		F-HNF-04C	5-2		HA-M-10FF10MF	6-13
EC-141761	5-4		F-HNF-08ME	3-4, 6-4, 6-6, 7-1		HA-M-16FF16MF	6-13
EC-141771	5-4		F-HNF-10ME	3-4, 5-2, 6-4		HA-M-6FF6MF	6-13
EC-142101	5-2		F-HNF-12ME	6-4		HA-NJ-2FN	6-13
EC-142121	5-2		F-HNF-16ME	2-4, 3-4		HA-Q-6MF6MO	6-13
EC-142201	5-2		F-HNF-8ME	6-8, 6-10, 7-1		HA-S-12MF10MO	6-14
EC-145671	5-4		F-HNN-06C	6-6		HA-S-12MF12MO	6-13
EC-146481	5-2		F-HNN-06MF	3-4		HA-S-12MO16MF	6-14
EC-146501	5-4		F-HNN-10MF	2-4		HA-S-16FF12MF	6-13
EC-146511	5-4		F-HNN-8MF	3-2		HA-S-16MF20MO	6-14
EC-146521	5-4		F-HNS-12ME	2-4, 3-4		HA-S-2FP2MN	6-13
EC-146531	5-2, 5-4		F-HNS-14ME	6-2		HA-S-6FO10MO	6-14
EC-146541	5-2, 5-4		F-HNS-16ME	2-4, 4-2		HA-S-8FF4MF	6-13
EC-146581	5-4		F-HNS-8ME	2-4		HA-S-8MF8MO	6-13
EC-146761	5-4		F-HNSF-10ME	6-6		HA-T-10MF10MO	6-14
ET-ST-20#10	5-4		F-HNSF-20ME	3-4		HA-T-16MF16MO	6-13
ET-ST-2004	5-4		F-HNSF-08ME	2-4		HA-T-6MF6MO	6-13, 6-14
F-CB-10M050F	2-4		F-LW-#10	6-8, 6-10		HA-Y-4MF4MF	6-13
F-CB-16M050E	2-4		F-LW-04	5-2		HC-101264	6-8, 6-10
F-FHD-10	4-2		F-LW-09	6-2		HC-101843	6-2
F-FHS-8M030E	2-4		F-LWH-07	6-2		HC-133151	6-4
F-FW-06	6-6		F-LWHC-07	6-2		HC-133541	7-1
F-FWD-10	3-4		F-LWHC-09	6-2		HC-134201	6-2
F-FWF-06020	3-4		F-MB-14NR40	2-4		HC-134911	6-2
F-FWH-12	5-2		F-PCT-02X16	2-4		HC-135771	6-13
F-HC-06M035E	3-4		F-PHM-#06C28	5-4		HC-135881	6-13
F-HC-08M100F	7-1		F-PHM-#10C08	5-2		HC-136372	6-8, 6-10
F-HC-08M120F	7-1		F-PHM-#10C16	5-2		HC-137891	6-2
F-HC-10M070E	2-4		F-PHM-#10C20	5-2		HC-137901	6-2
F-HC-14M045E	6-2		F-PHM-#10C28	5-2		HC-138011	6-13
F-HC-14M090E	6-2		F-PHM-#6C06	5-2		HC-138581	6-2
F-HC-16M050E	2-4		F-PHM-#6C08	5-2		HC-138582	2-2
F-HC-16M120E	2-4		F-PHM-04C24	5-2		HC-138861	6-8, 6-10
F-HC-16M250E	4-2		F-PHM-04C36	5-2		HC-138901	3-2, 6-2
F-HC5-04C12	5-2		F-PSL-04X48	3-4		HC-139161	6-2
F-HC5-04C24	6-4		F-SHC-#10C32	6-8, 6-10		HC-139171	6-2
F-HC8-07C24	6-2		F-SHC-07C20	6-2		HC-139221	7-1
F-HC8-07C44	6-2		F-SHC-14M030D	6-2		HC-139231	7-1
F-HC8-07C52	6-2		F-SHC-24M080E	3-4		HC-140312	6-2
F-HCF-05C08	6-8, 6-10		F-SSS-04F04	6-2		HC-140313	3-2
F-HCF-08M016E	5-2		F-TCH-06M012E	5-2		HC-140341	6-2
F-HCF-08M020E	6-4		F-TCH-06M025E	5-2		HC-140342	3-2
F-HCF-08M040E	6-8, 6-10		F-TCH-06M035E	5-2		HC-140361	6-2
F-HCF-08M090F	7-1		F-UDS-#7X06	3-4		HC-140411	6-8, 6-10
F-HCF-08M100E	6-6		HA-133131	6-12		HC-141281	6-2
F-HCF-10M020E	6-8, 6-10		HA-C-6FF	6-14		HC-141531X	6-4
F-HCF-10M030F	5-2		HA-D-12MO12MF	6-14		HC-142061	7-1
F-HCF-10M035E	6-6		HA-E-10MO	6-14		HC-142451	6-2
F-HCF-10M040E	3-4, 6-6		HA-E-4MF	6-14		HC-142991	6-8, 6-10
F-HCF-10M120E	6-4		HA-E-6MF	6-14		HC-143251	6-4
F-HCF-12M030E	6-4		HA-F-16FF16MF	6-14		HC-143361	6-2
F-HCF-12M035E	3-4		HA-L-10FF10MF	6-13		HC-143371	6-2
F-HCF-12M040E	2-4, 3-4		HA-L-12MF10MO	6-14		HC-143441	6-8, 6-10
F-HCF-16M040E	2-4, 3-4		HA-L-12MF12FF	6-14		HC-143581	7-1

Model 2970S Hillco Leveling System
 For Serial Numbers 2970S-1501 thru 2970S-1599
PART NUMBER INDEX (CONTINUED)

PART NUMBER	PAGE NUMBER		PART NUMBER	PAGE NUMBER		PART NUMBER	PAGE NUMBER
HC-143601	3-2, 7-1		LA-263551	6-11		LM-250571	2-2
HC-143991	6-8, 6-10		LA-263562	6-11, 6-12		LM-250581	2-2
HC-145001	6-14		LA-263571	6-12		LM-255331	5-2
HC-145861	6-12		LA-263651	6-14		LM-260301	5-2
HC-145881	6-4		LA-263701	6-8, 6-10		LM-260591	3-2
HC-145891	6-4		LA-264171	3-2		LM-260821	2-2
HC-146353	6-8, 6-10		LA-264501	3-2		LM-261081	6-2
HC-146362	6-8, 6-10		LA-264511	3-2		LM-261091	3-2
HC-147501	3-2		LA-265412	2-2		LM-261102	3-2
HC-147621	6-2		LA-265541	4-2		LM-263711	4-2
HC-148181	6-6		LA-265581	5-4		LM-265311	6-13
LA-130371	6-12		LA-265772	5-4		LM-265501X	5-2
LA-133331	6-12		LA-265782	5-2		LM-265511X	5-2
LA-134822	6-12		LA-265802	5-2		LM-270131	3-2
LA-134832	6-12		LA-265831	5-2, 5-4		LM-272082	6-2
LA-134862	6-12		LA-266031	5-2		LM-272092	6-2
LA-134872	6-12		LA-266361	6-8, 6-10		LM-272161	6-2
LA-138943	6-11		LA-267621	5-4		LM-273011	6-2
LA-138951	6-11		LA-268261	5-4		LM-276541	6-6
LA-138974	6-11		LA-269141	2-2		LP-230241	3-2
LA-138982	6-11		LA-269991	3-2		LP-235092	4-2
LA-139113	6-11		LA-270041	3-2		LP-247961	3-2
LA-140383	6-11		LA-270093	5-2		LP-250522	2-2
LA-140403	6-11		LA-270322	5-2		LP-250551	2-2
LA-141093	6-11		LA-271871	6-11		LP-252241	3-2
LA-141131	6-11		LA-272021	6-4		LP-258222	3-2
LA-143472	6-11		LA-272971	2-2		LP-260791	2-2
LA-143482	6-11		LA-273461	6-11, 6-12		LP-260801	2-2
LA-143681	6-12		LA-273861	6-11, 6-12		LP-261121	3-2
LA-145721	6-12		LA-273862	6-12		LP-264081	6-4
LA-145731	6-12		LA-274111	6-11		LP-264341	3-2
LA-145741	6-12		LA-274141	6-11		LP-270323	3-2
LA-145751	6-11		LA-274151	6-11		LP-274231	3-2
LA-145761	6-11		LA-274152	6-11		LP-274251	3-2
LA-230552	3-2		LA-274161	6-12		LP-274531	3-2
LA-246703	4-2		LA-274171	6-12		LP-274901	3-2
LA-247094	3-2		LA-274181	6-12		LP-274911	3-2
LA-247482	3-2		LA-274191	6-12		LP-276131	3-4
LA-249684	6-8, 6-10		LA-274201	6-12		LP-276141	3-4
LA-250165	2-2		LA-274211	6-12		LP-276151	3-4
LA-250243	2-2		LA-274262	3-2		LP-276391	3-2
LA-250713	2-2		LA-274292	3-2		LP-276551	6-6
LA-253141	3-2		LA-274741	3-2		LP-276561	6-6
LA-253883	2-2, 3-2		LA-274751	3-2		LS-235291	6-4
LA-254013	4-2		LA-275932	3-2		LTP-241721	2-2
LA-255645	5-4		LA-276091	3-2		MC-101343	7-1
LA-255821	5-4		LA-276101	3-2		MC-103069	6-4
LA-255961	3-2, 7-1		LA-276581	6-6		MC-103071	6-4
LA-260222	5-4		LL-133741	7-1		MC-135531	2-2
LA-260242	5-4		LL-141301	7-1		MC-135631	3-2, 7-1
LA-260721	2-2		LL-143621	7-1		MC-135791	5-2, 7-1
LA-260772	2-2		LL-147651	7-1		MC-137521	7-1
LA-260851	2-2		LL20-100782	7-1		MC-137531	6-6, 7-1
LA-260861	2-2		LL20-100783	7-1		MC-138641	3-2
LA-261021	2-2		LL20-100784	7-1		MC-138651	3-2
LA-261191	5-2		LL20-100786	7-1		MC-141551	3-2
LA-262022	3-2		LL20-100787	7-1		MC-142921	3-2
LA-263363	6-8, 6-10		LL20-100788	7-1		MC-143591	2-2
LA-263371	6-4		LL-274401	7-1		MC-143641	2-4
LA-263412	6-11		LM-226841	2-2		MC-143711	3-4
LA-263432	6-4		LM-229193	2-2		MC-143721	3-4
LA-263442	6-2, 6-4		LM-250534	2-2		MC-145851	6-4
LA-263531	6-12		LM-250541	2-2		MC-146402	2-2
LA-263542	6-11		LM-250561	2-2		MC-148341	6-6