

Model 2970
Hillside Leveling System
Parts Manual

SN 2970-0043 thru 2970-0050

D-060601ADL01A





2970 Hillside Leveling System
for 9650 STS, 9660 STS, 9760 STS, 9860 STS
AND 9750 STS John Deere Combines

TABLE OF CONTENTS

1 GENERAL INFORMATION	1-3
Serial Number Location	1-3
Text Format and Illustrations	1-3
Abbreviations.....	1-3
Right and Left Identification	1-3
Parts Orders	1-3
2 TRANSITION	2-1
Radial Pin Slip Clutch	2-3
Transition Fasteners.....	2-5
3 CARRIAGE	3-1
Carriage Fasteners.....	3-3
4 Y-BRACE	4-1
5 DROP AXLE	5-1
6 LADDER	6-1
7 ELECTRICAL COMPONENTS	7-1
Electrical Connectors	7-3
Electrical Cables.....	7-5
Rear Wheel Assist.....	7-7
8 HYDRAULICS	8-1
Hydraulic Manifold	8-3
Hydraulic Manifold (Continued)	8-5
Hydraulic Pump	8-7
Hydraulic Hoses	8-9
Hydraulic Adapters	8-10
9 MISCELLANEOUS	9-1
10 PART NUMBER INDEX	10-1
Part Number Index (Continued).....	10-2

Model 2970 Hillco Leveling System
For Serial Numbers 2970-0043 thru 2970-0050

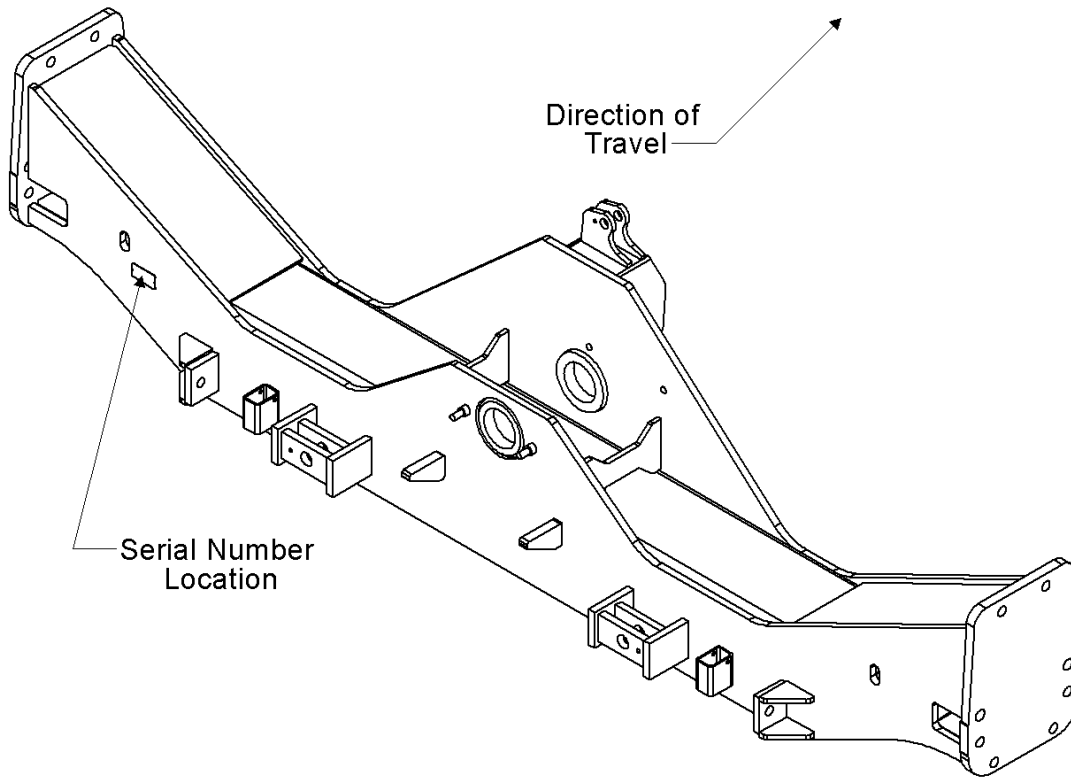
Hillco Technologies, Inc.
107 1st Avenue
Nezperce Id. 83543

Fax	208.937.2280
Phone	208.937.2461
Toll Free	800.937.2461

www.hillcotechnologies.com

1 GENERAL INFORMATION

SERIAL NUMBER LOCATION



TEXT FORMAT AND ILLUSTRATIONS

The arrangement of this parts catalog is for easy identification of parts. All parts are illustrated in exploded views in proper relation to each other. Some diagrams refer to other pages for further information. Reference numbers used in the illustrations refer to line numbers in the part lists. The part lists appear to the right of all diagrams and correspond with those diagrams. Included in the part lists, along with the reference numbers are part numbers, part descriptions and the quantity of the part required per leveling system.

ABBREVIATIONS

SN "Serial Number" refers to the serial number given to each leveling system (by Hillco Technologies), as well as the serial number given to the combine (by the specific combine manufacturer) the leveling system is installed upon. This abbreviation is used interchangeably in both instances. Each model 2970 Leveling System uses the following serial number format: 2970-XXXX (sequential numbers).

ASM "Assembly" refers to a whole grouping of parts (usually shown in the diagram corresponding with the page where "ASM" is shown unless otherwise noted). Some assemblies have parts that are sold separately, however some must be purchased as a single unit. Hillco Product Specialists will be able to assist you with any questions.

NS "Not Shown" refers to a part that is not depicted in the illustration.

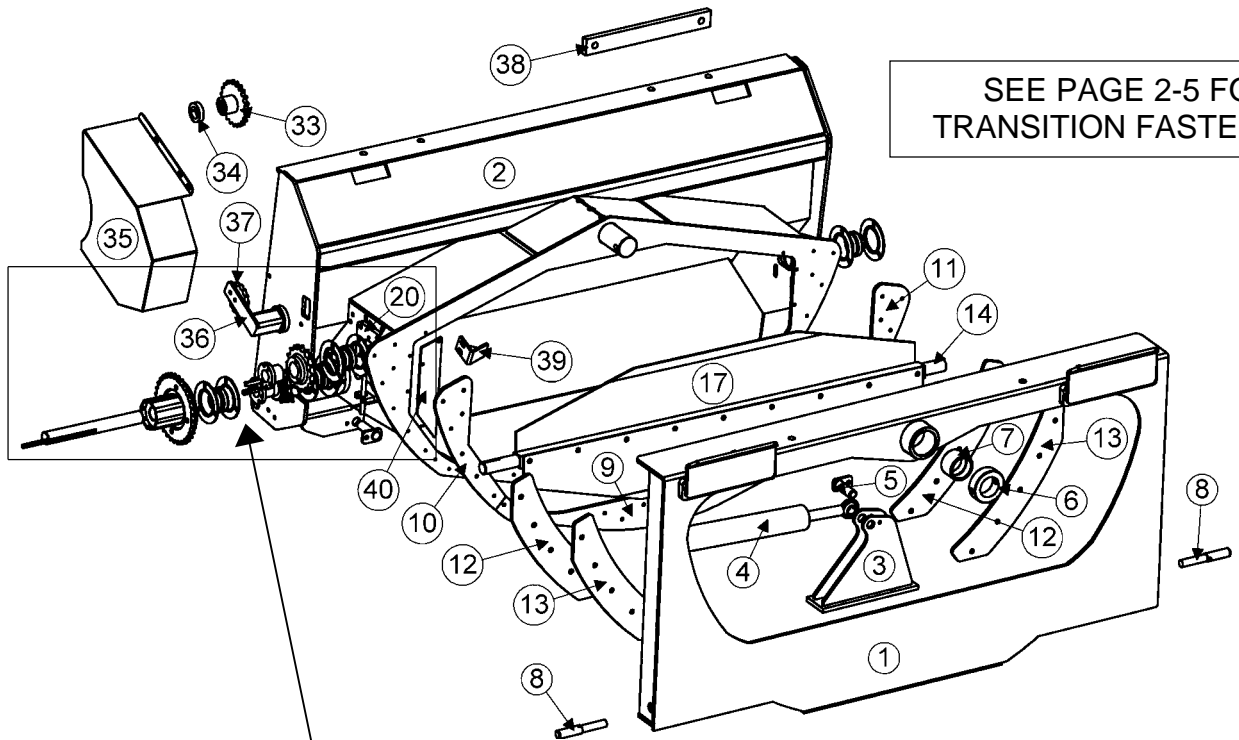
RIGHT AND LEFT IDENTIFICATION

The reference to right-hand and left-hand in this catalog is identified by the operator sitting in the operator's seat, looking toward the front of the machine (in normal forward travel).

PARTS ORDERS

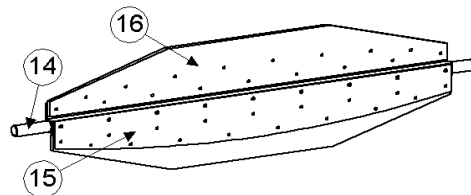
Orders must specify product model, serial number, correct part number, complete description, quantity required, method of shipment, shipping address, and billing address.

2 TRANSITION

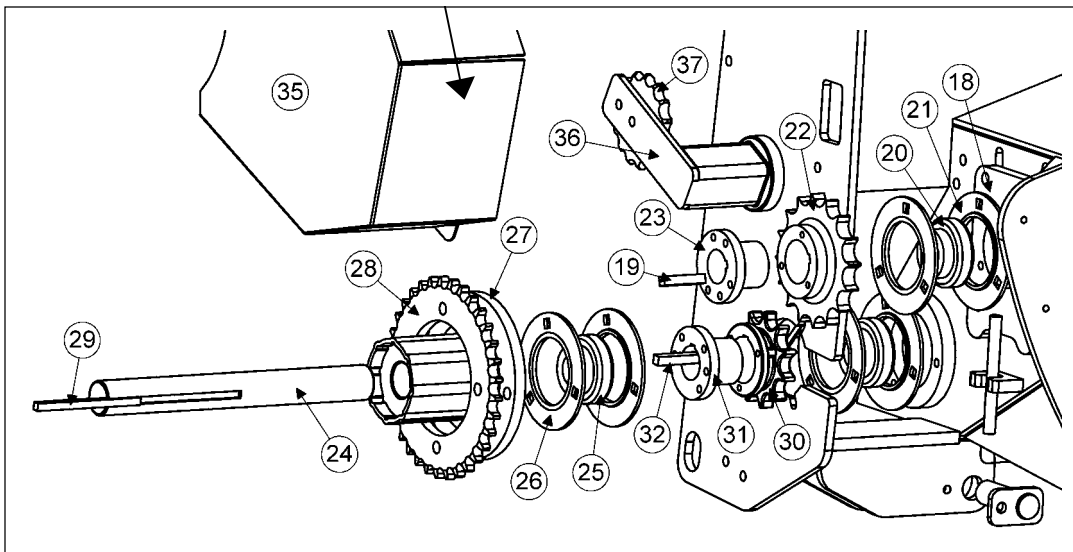


SEE PAGE 2-5 FOR
TRANSITION FASTENERS

Midwest Option View:
Rubber Paddles with Backing Plates



TRANSITION DRIVE COMPONENT DETAIL

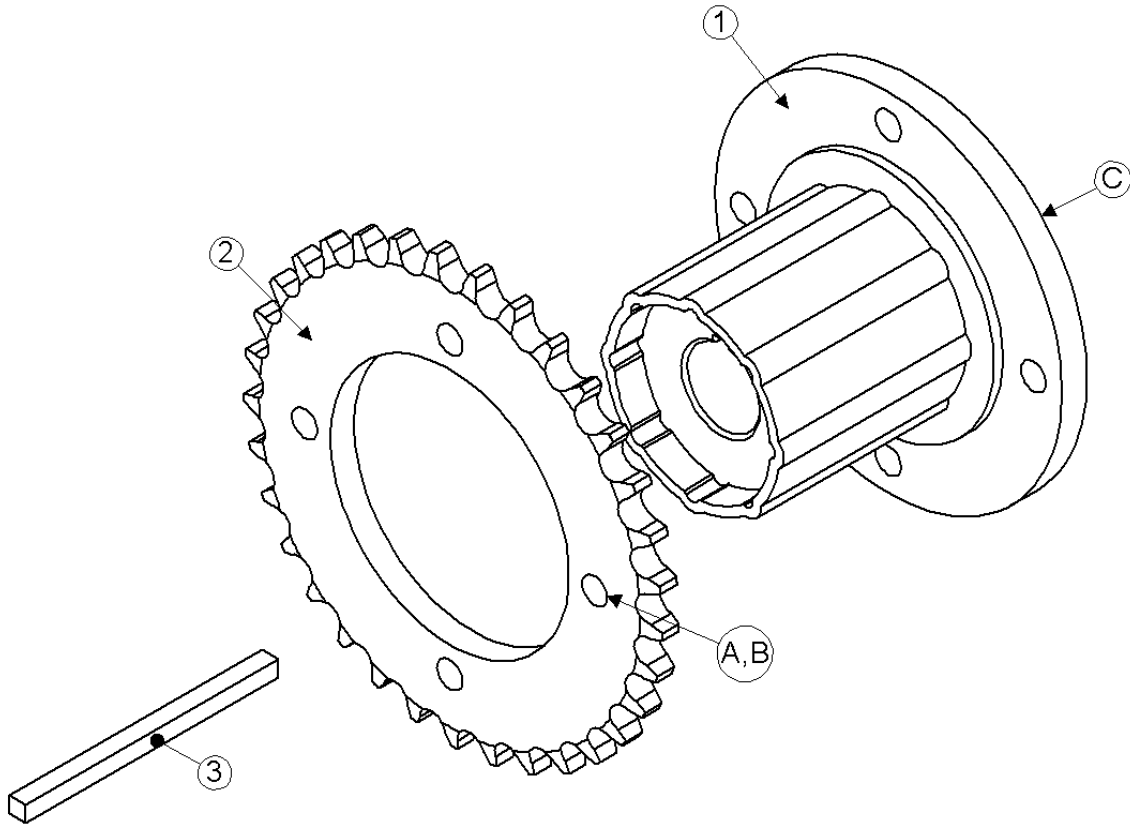


Model 2970 Hillco Leveling System
For Serial Numbers 2970-0043 thru 2970-0050

TRANSITION COMPONENTS				
REF.	PART NO.	QTY.	PART NAME	NOTES
1	LA-228893	1	TA ADAPTER ASM	
2	LA-234952	1	TT THROAT ASM	
3	LA-229022	1	TM MOUNT ASM, ROD	
4	HC-100706	1	CYLINDER, SLAVE, 2-1/2 X 12-1/2	SEE HYDRAULICS PAGE 8-1
NS	HC-134191	1	SEAL KIT, SLAVE CYLINDER	
5	LA-229071	2	TM PIN ASM, TRIM CYLINDER	
NS	LM-237751	1	LM STOP, SLAVE CYL ROD	MIDWEST COMBINES WITH 6-ROW CORN HEAD
NS	LM-237761	1	LM STOP, SLAVE CYL BASE	MIDWEST COMBINES WITH 6-ROW CORN HEAD
6	LM-226841	1	TM COLLAR, PIVOT	
7	LTP-241721	1	BUSHING, GRAPHITE	
8	LM-229192	2	TM ROD, LOCK	
NS	MC-135531	2	SPRING, COMPRESSION	
9	LM-229152	1	TM PLATE, WEAR BOTTOM	
10	LM-229161	1	TM PLATE, WEAR LH	
11	LM-229171	1	TM PLATE, WEAR RH	
12	LM-249861	2	TM PLT, BACKING	
13	LP-249871	2	TM UHMW, BACKING	
BEATER SHAFT				
14	LA-249611	1	TB ASM, SHAFT	
15	LM-228442	2	TB PLATE, PADDLE BACKING	MIDWEST COMBINES ONLY
16	LP-228881	2	TB PADDLE, RUBBER	MIDWEST COMBINES ONLY
17	LM-238341	2	TB PADDLE, METAL	NORTHWEST COMBINES ONLY
18	LA-229051	2	TM MOUNT ASM, BEATER	
19	LS-212701	1	TM KEY, BEATER DRIVE, 3/8 X 2	
20	MC-100548	2	BEARING INSERT, 1-7/16, NON-RELUBE	
21	MC-101339	2	FLANGETTES, RND BEARING	
22	MC-135501	1	SPROCKET, 16T 80P TAPER BORE HRD	
23	MC-135511	1	HUB, SPLIT TAPER 1-7/16	
NS	LP-232162	1	TM ROLLER CHAIN, 28 PIN 80P	JACK SHAFT TO BEATER SHAFT
NS	MC-139341	1	LINK, CONNECTING, 80P	
NS	MC-139351	1	LINK, OFFSET, 80P	
TRANSITION THROAT JACK SHAFT				
24	LM-229142	1	TM SHAFT, JACK	
25	MC-100548	2	BEARING INSERT, 1-7/16, NON-RELUBE	
26	MC-101339	2	FLANGETTES, RND BEARING	
27	MC-136921	1	RADIAL PIN SLIP CLUTCH	
28	LM-226532	1	TM SPROCKET, RADIAL PIN SLIP CLUTCH	
29	LS-244471	1	TM KEY, RADIAL PIN SLIP CLUTCH	
30	MC-135491	1	SPROCKET, 11T 80P TAPER BORE HRD	
31	MC-135511	1	HUB, SPLIT TAPER 1-7/16	
32	LS-212701	1	TM KEY, BEATER DRIVE, 3/8 X 2	
NS	LP-255131	1	TM CHAIN, 72 PIN 60P	DRIVE SPROCKET TO SLIP CLUTCH
NS	MC-139361	1	LINK, CONNECTING, 60P	
NS	MC-139371	1	LINK, OFFSET, 60P	
FEEDER HOUSE BEATER DRIVE				
33	LA-235891	1	TM DRIVE ASM TRAN., 21T 21SP/60P	
34	MC-142001	2	1PC COLLAR, SPLIT, 1-3/8 BORE	
35	LM-236232	1	TM SHIELD, DRIVE	
TENSIONER				
36	MC-100546	1	TENSIONER	
37	MC-100237	1	SPROCKET, IDLER, 15T 60P 5/8B	
NS	MC-139241	1	TENSIONER HARDWARE KIT	
OPTIONAL- FOR COMBINES WITH CONTOUR MASTER				
38	LM-254781	1	LM FLAT, CM BAR	
OPTIONAL - PADDLE BEATER ANTI-WRAP				
39	LA-260051	2	TM ASM, ANTI-WRAP	
40	LM-260041	2	TM PLT, NARROWING	
NS	LA-243121	1	TRANSITION THROAT NARROWING KIT	

Model 2970 Hillco Leveling System
For Serial Numbers 2970-0043 thru 2970-0050

RADIAL PIN SLIP CLUTCH

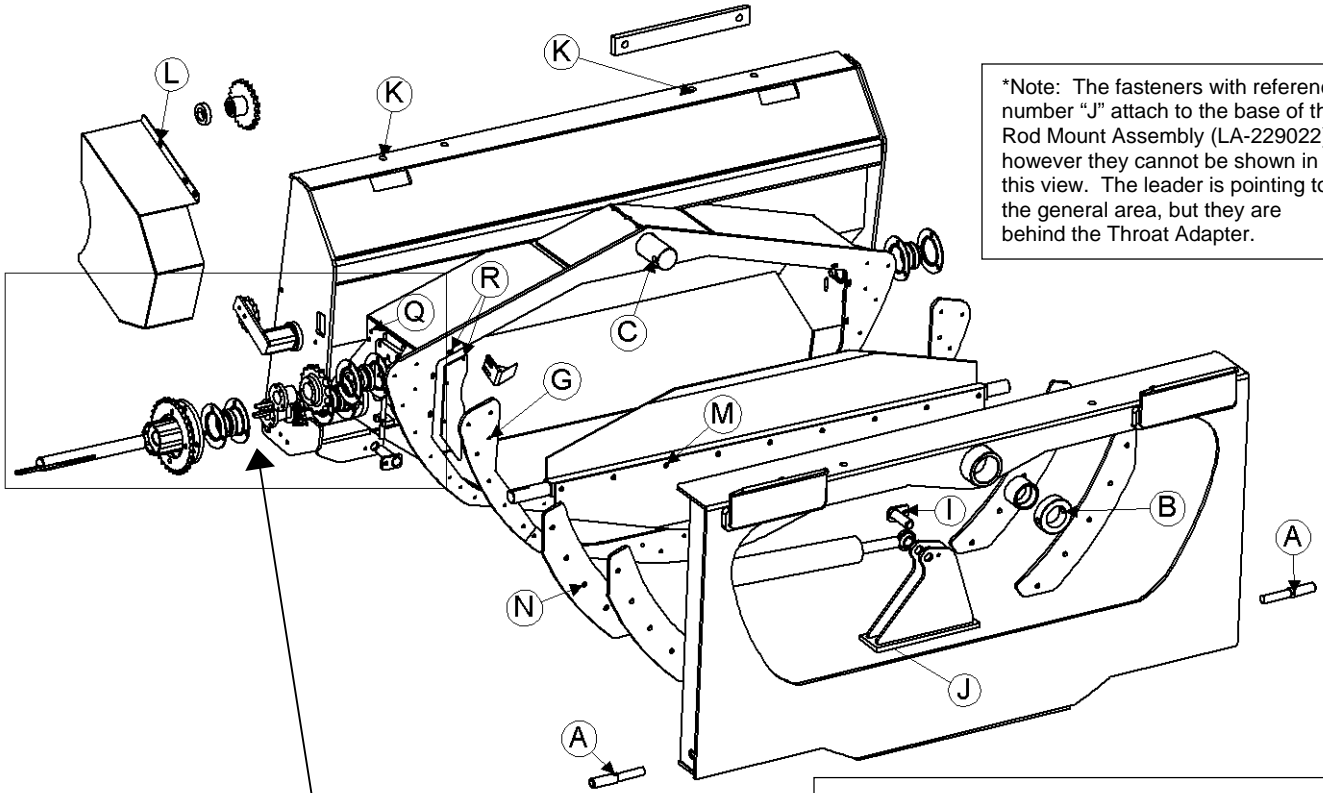


Model 2970 Hillco Leveling System
 For Serial Numbers 2970-0043 thru 2970-0050

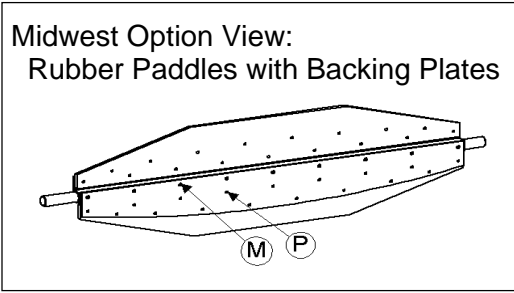
RADIAL PIN SLIP CLUTCH COMPONENTS				
REF.	PART NO.	QTY.	PART NAME	NOTES
1	MC-136921	1	RADIAL PIN SLIP CLUTCH	
2	LM-226532	1	TM SPROCKET, RADIAL SLIP CLUTCH	
3	LS-244471	2	TM KEY, RADIAL PIN SLIP CLUTCH	
RADIAL PIN SLIP CLUTCH FASTENERS				
A	F-HC8-08F20	4	HC8 1/2-20 X 1-1/4	
B	F-LW-08A	4	LW 1/2 HD	
C	F-SSS-06C08	2	SCREW, SOCKET SET 3/8-16 X 2	

Model 2970 Hillco Leveling System
 For Serial Numbers 2970-0043 thru 2970-0050

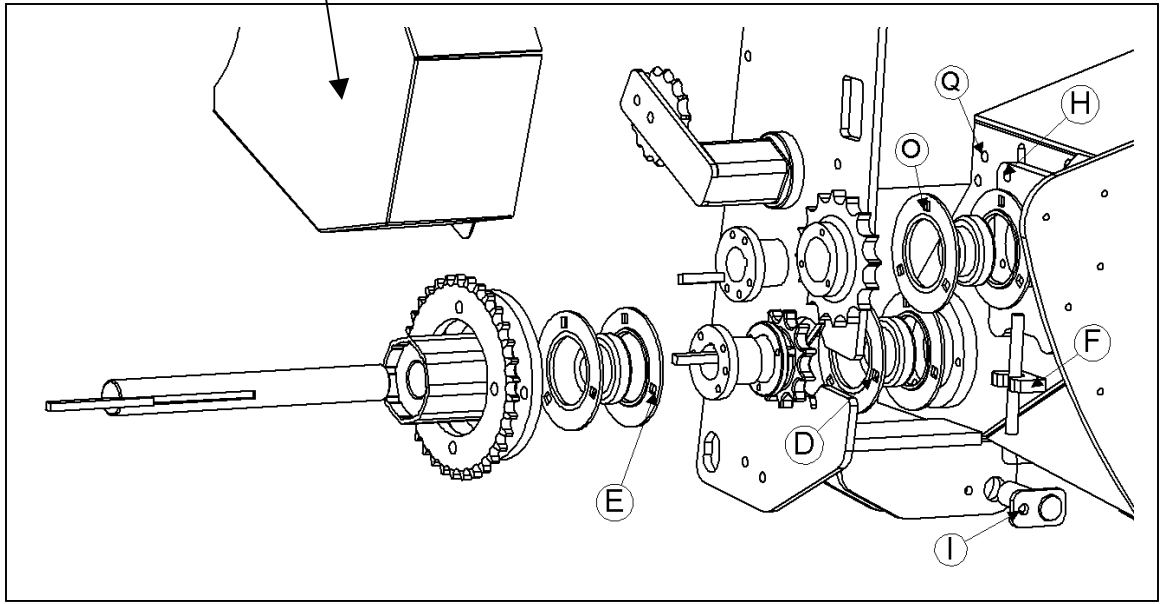
TRANSITION FASTENERS



*Note: The fasteners with reference number "J" attach to the base of the Rod Mount Assembly (LA-229022), however they cannot be shown in this view. The leader is pointing to the general area, but they are behind the Throat Adapter.



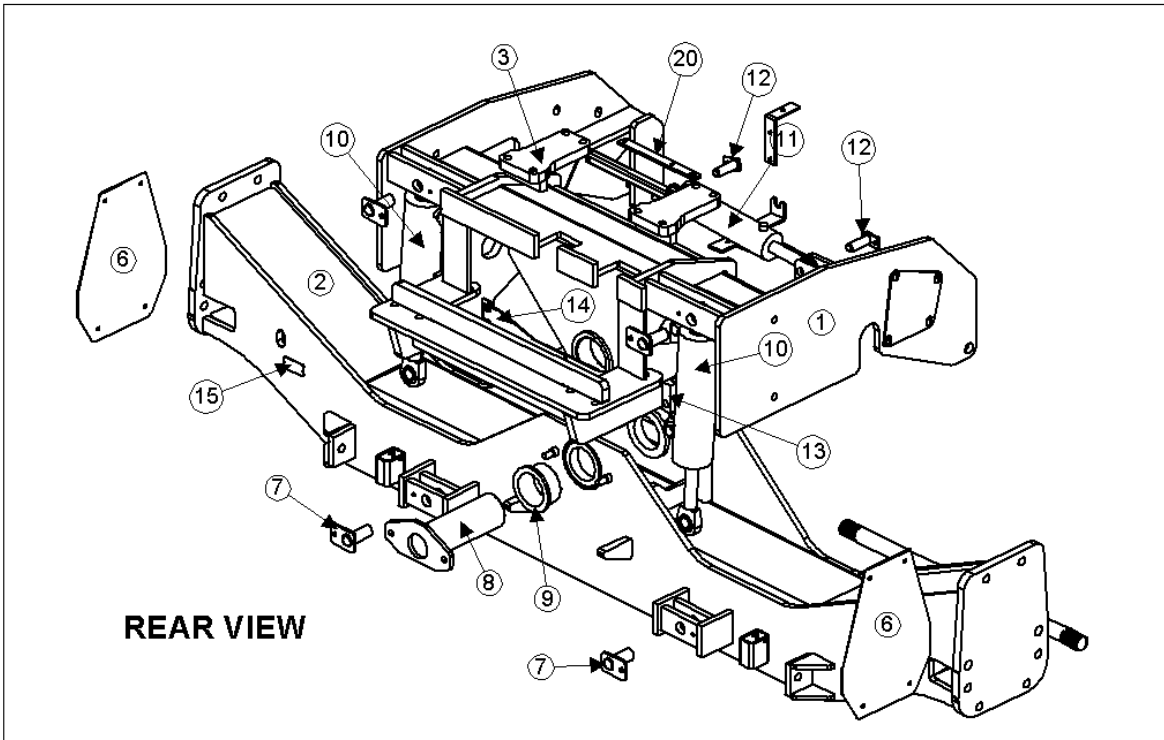
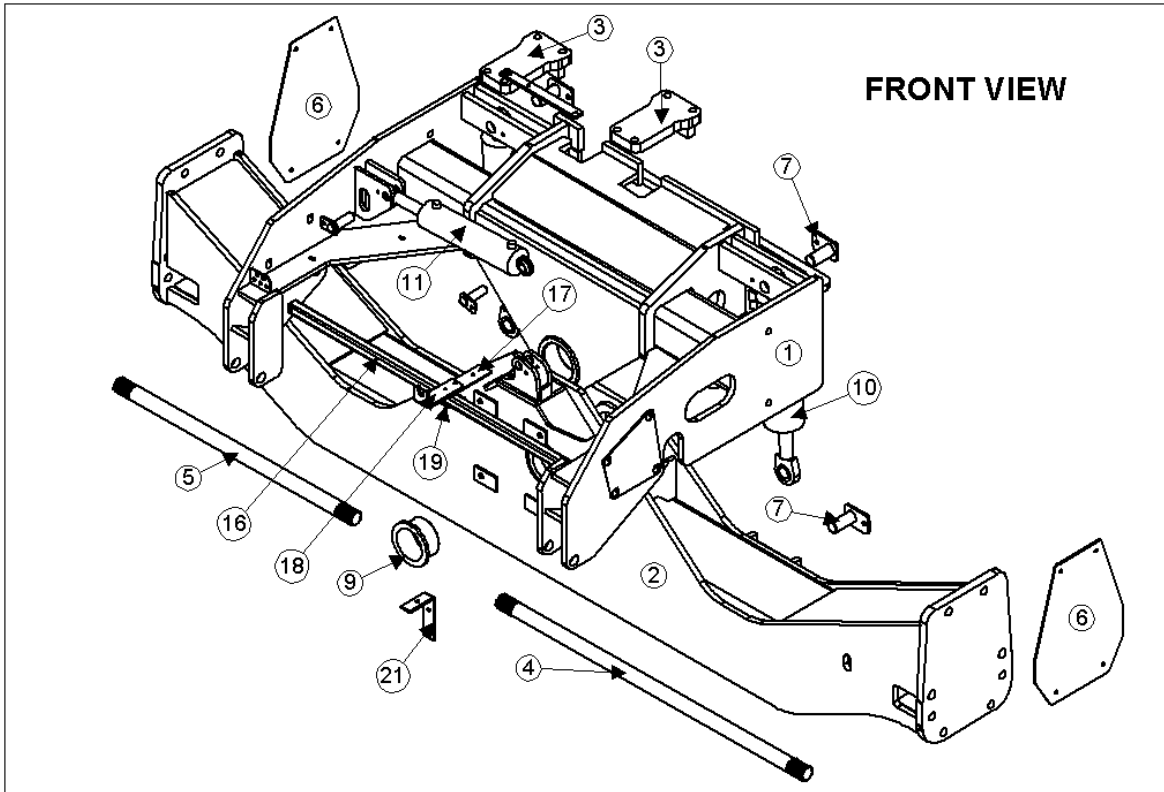
TRANSITION DRIVE COMPONENT FASTENERS DETAIL



Model 2970 Hillco Leveling System
For Serial Numbers 2970-0043 thru 2970-0050

TRANSITION FASTENERS				
REF.	PART NO.	QTY.	PART NAME	WHERE USED
A	F-SHC-10M070F	2	SHCS-8.8 M10 X 1.50 X 70	THA HEADER LOCK
B	F-HC-16M120E	1	HC-10.9 M16 X 2.00 X 120	MAIN PIVOT PIN COLLAR
B	F-HNS-16ME	1	HN-10.9 M16 X 2.00 STOVER	MAIN PIVOT PIN COLLAR
C	F-MB-14NR40	3	MACH BUSH 14 GA NR 2-1/2" ID	MAIN PIVOT PIN
D	F-HCF-10M020E	3	FLHC-10.9 M10 X 1.50 X 20	INNER 3-BOLT JS BEARING
E	F-CB-10M030F	3	CARR-8.8 M10 X 1.50 X 30	OUTER 3-BOLT JS BEARING
E	F-HNF-10MF	3	FLHN-8.8 M10 X 1.50	OUTER 3-BOLT JS BEARING
F	F-FWH-08	4	FW 1/2 HD YELLOW	BEATER BRNG TAKE-UP BLT
F	F-HNJ-12MF	4	HN-8.8 M12 X 1.75 JAM	BEATER BRNG TAKE-UP BLT
G	F-FHS-8M015E	29	FHSC-10.9 M8 X 1.25 X 15	UHMW WEAR PLATES
H	F-CB-12M040F	8	CARR-8.8 M12 X 1.75 X 40	TT BEATER BRNG MNT PLT
H	F-HNF-12MF	8	FLHN-8.8 M12 X 1.75	TT BEATER BRNG MNT PLT
I	F-HCF-10M020F	2	FLHC-8.8 M10 X 1.50 X 20	SLAVE CYL MNT PIN
J	F-HC-16M050E	3	HC-10.9 M16 X 2.00 X 50	ROD MNT
J	F-HNS-16ME	3	HN-10.9 M16 X 2.00 STOVER	ROD MNT
K	F-HCF-12M040E	4	FLHC-10.9 M12 X 1.75 X 40	TRANSITION MNT- FOR SN [9750 (-688210); 9650 (-686329)]
K	F-HCF-16M040E	4	FLHC-10.9 M16 X 2.00 X 40	TRANSITION MNT ALL 60 SERIES COMBINES; [9750 (688211-); 9650 (688330-)]
L	F-HNF-10MF	2	FLHN-8.8 M10 X 1.50	TM DRIVE SHIELD
L	F-HCF-10M020F	2	FLHC-8.8 M10 X 1.50 X 20	TM DRIVE SHIELD
M	F-HNSF-12ME	9	FLHN-10.9 M12 X 1.75 STOVER	STEEL BEATER PADDLES OR PADDLE BACKING PLATES
M	F-HCF-12M080E	9	FLHC-10.9 M12 X 1.75 X 80	STEEL BEATER PADDLES OR PADDLE BACKING PLATES
N	F-HCF-12M040E	10	FLHC-10.9 M12 X 1.75 X 40	BACKING PLATES
O	F-HCF-10M020F	6	FLHC-8.8 M10 X 1.50 X 20	BEATER BRNG MNT PLT
FOR MIDWEST COMBINES				
P	F-EB-04C20	34	BOLT, ELEVATOR, 1/4-20 x 1-1/4 ZINC	PB PADDLES
P	F-HNF-04C	34	SERR. FLHN 1/4-20 ZINC	PB PADDLES
OPTIONAL PADDLE BEATER ANTI-WRAP				
Q	F-HCF-10M025E	4	FLHC-10.9 M10 X 1.50 X 25	ANTI-WRAP ASSEMBLIES
Q	F-HNF-10ME	4	FLHN-10.9 M10 X 1.50	ANTI-WRAP ASSEMBLIES
R	F-HC-06M020F	6	HC-8.8 M6 X 1.0 X 20	THROAT NARROWING PLATES
R	F-HNF-06MF	6	FLHN-8.8 M6 X 1.0	THROAT NARROWING PLATES

3 CARRIAGE

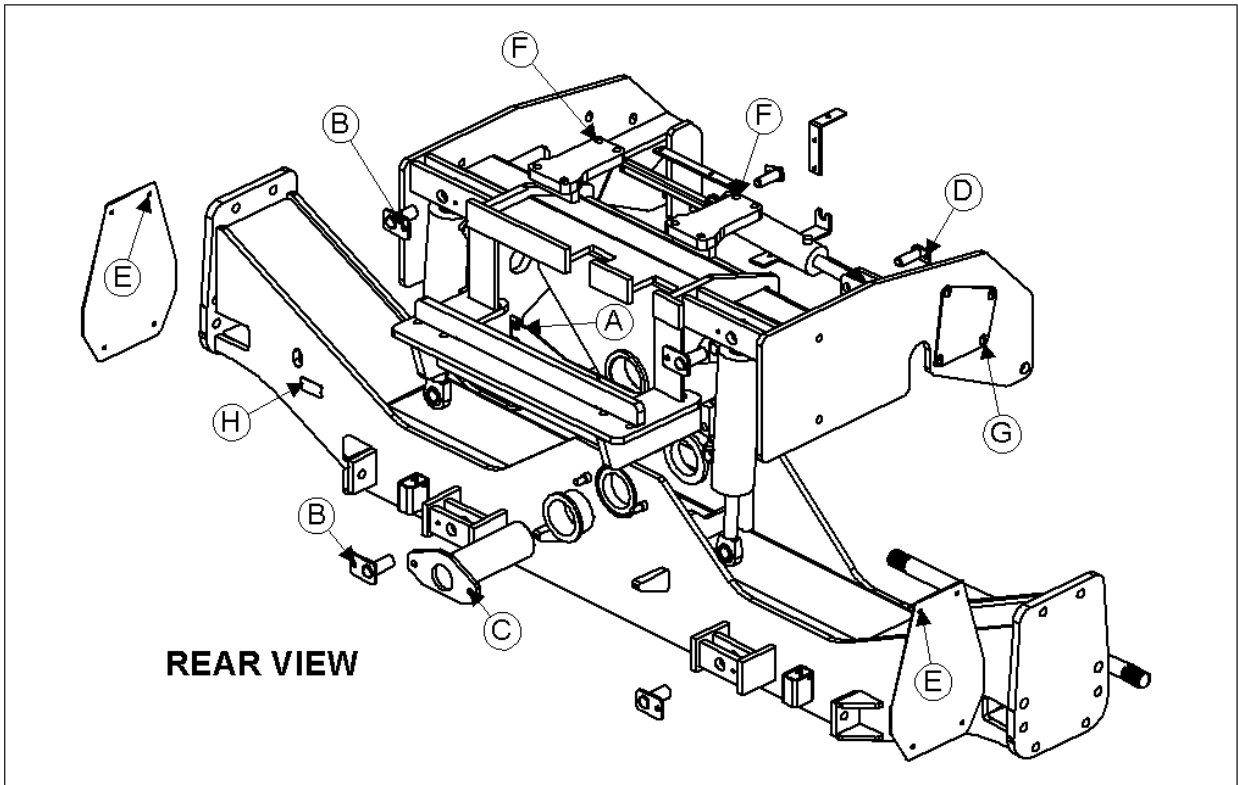
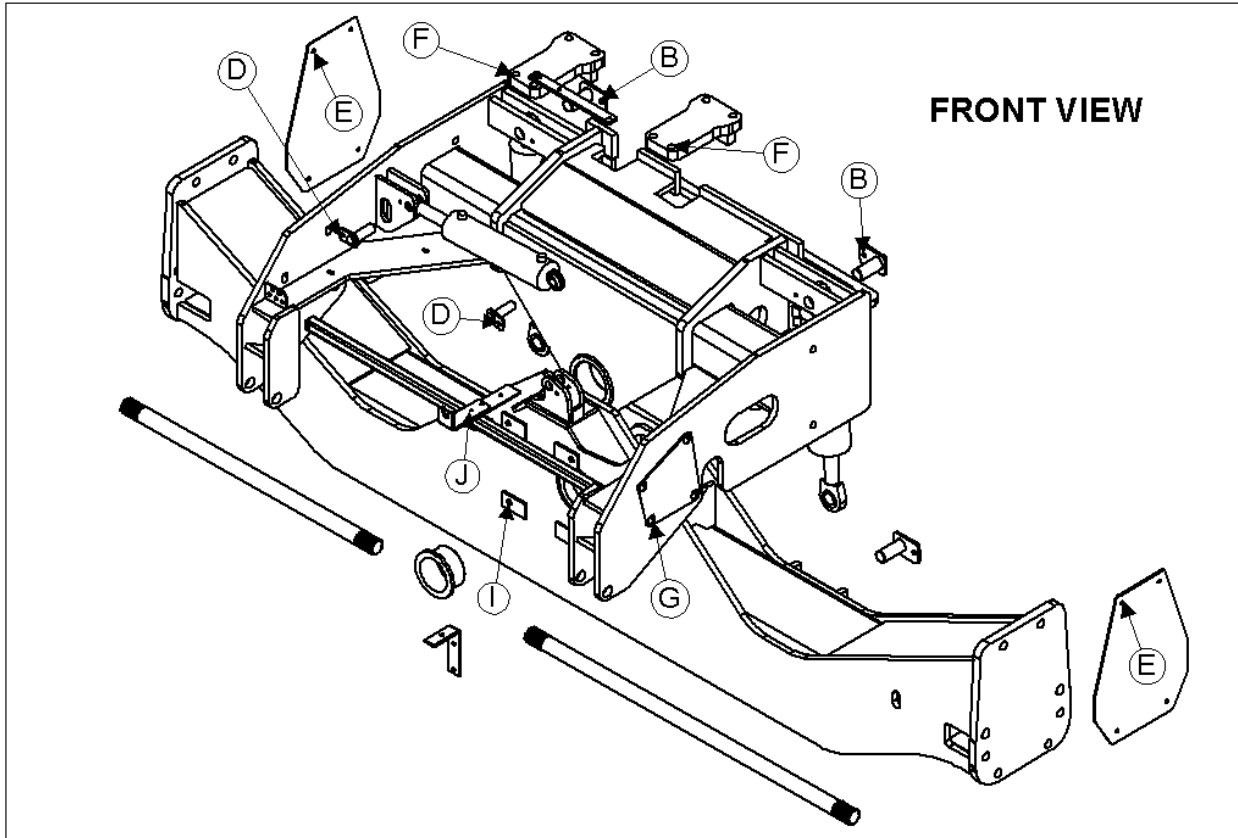


Model 2970 Hillco Leveling System
For Serial Numbers 2970-0043 thru 2970-0050

CARRIAGE COMPONENTS				
REF.	PART NO.	QTY.	PART NAME	NOTES
1	LA-234923	1	CO ASM, 2970	
2	LA-234964	1	CU ASM, 122.5	
NS	LA-234943	1	CU ASM, 114.5	OPTIONAL-- FOR MIDWEST COMBINES
3	LA-235711	2	CM PLATE ASM, TOP	
4	MC-134261	1	COUNTER SHAFT, 1228 MM, LEFT	RG&P, 122.5 UNDERCARRIAGE, NO EXTENSIONS
4	MC-134281	1	COUNTER SHAFT, 1126.5 MM, LEFT	RG&P, 114.5 UNDERCARRIAGE, NO EXTENSIONS
4	MC-134301	1	COUNTER SHAFT, 1175.5 MM, LEFT	RG&P, 114.5 UNDERCARRIAGE, WITH EXTENSIONS
5	MC-134271	1	COUNTER SHAFT, 951 MM, RIGHT	RG&P, 122.5, UNDERCARRIAGE, NO EXTENSIONS
5	MC-134291	1	COUNTER SHAFT, 849.5, RIGHT	RG&P, 114.5 UNDERCARRIAGE, NO EXTENSIONS
5	MC-134311	1	COUNTER SHAFT, 898.5 MM, RIGHT	RG&P, 114.5 UNDERCARRIAGE, WITH EXTENSIONS
6	LP-230241	2	CM CAP, AXLE	
7	LA-230551	4	CM PIN ASM, MAIN CYLINDER	
8	LA-229252	1	CM PIN ASM, MAIN PIVOT	
9	LP-103871	2	CO BUSHING, PIVOT	
10	HC-103227	2	CYLINDER, MAIN LEVELING	SEE HYDRAULICS PAGE 8-1
11	HC-101842	1	CYLINDER, MASTER	SEE HYDRAULICS PAGE 8-1
12	LA-229071	2	TM PIN ASM, TRIM CYLINDER	
13	HC-139151	2	VALVE, 3-PORT COUNTERBALANCE	SEE HYDRAULICS PAGE 8-1
14	LM-234653	1	EM MOUNT, CONTROL BOX	
15	LA-256001	1	TAG, SERIAL NUMBER	
16	LM-260121	1	CM TUBE, HOSE HANGER	
17	LM-260131	1	CM MOUNT, HYDRO HOSE	
18	LM-260141	1	CM MNT, HDR LIFT CYL HOSE	
19	LM-260151	1	CM CLAMP, HOSE MOUNT	
MISCELLANEOUS CARRIAGE COMPONENTS				
20	LM-248781	1	LM FLT, BRAKELINE BRACKET	
21	LM-261861	1	HM MOUNT, HYDRO HOSE CLAMP	BOLTS TO TRANSMISSION
NS	LM-255531	1	BEHRINGER CLAMP, SPACER	
NS	MC-137521	2	HOSE CLAMP, TANDEM	
NS	MC-137531	2	HOSE CLAMP, TANDEM COVER PLATE	
NS	HC-142051	1	SLEEVE, ABRASION , E- BRAKE CABLE	
NS	HC-142061	1	SLEEVE, ABRASION , SHIFT CABLE	
NS	LP-249321	2	CM SPACER, SHIPPING	
NS	MC-142921	2	EMERGENCY BRAKE CABLES	
NS	F-HNN-05F	2	HN,5/16-24 NYLOCK	EMERGENCY BRAKE CABLE
NS	F-HC-08M090F	2	HC-8.8 M8 X 1.25 X 90	CLAMP FOR HYDRO HOSES
NS	F-HC-08M100F	1	HC-8.8 M8 X 1.25 X 100	CLAMP FOR HYDRO HOSES
NS	F-HNF-08MF	2	FLHN-8.8 M8 X 1.25	CLAMP FOR HYDRO HOSES

Model 2970 Hillco Leveling System
For Serial Numbers 2970-0043 thru 2970-0050

CARRIAGE FASTENERS

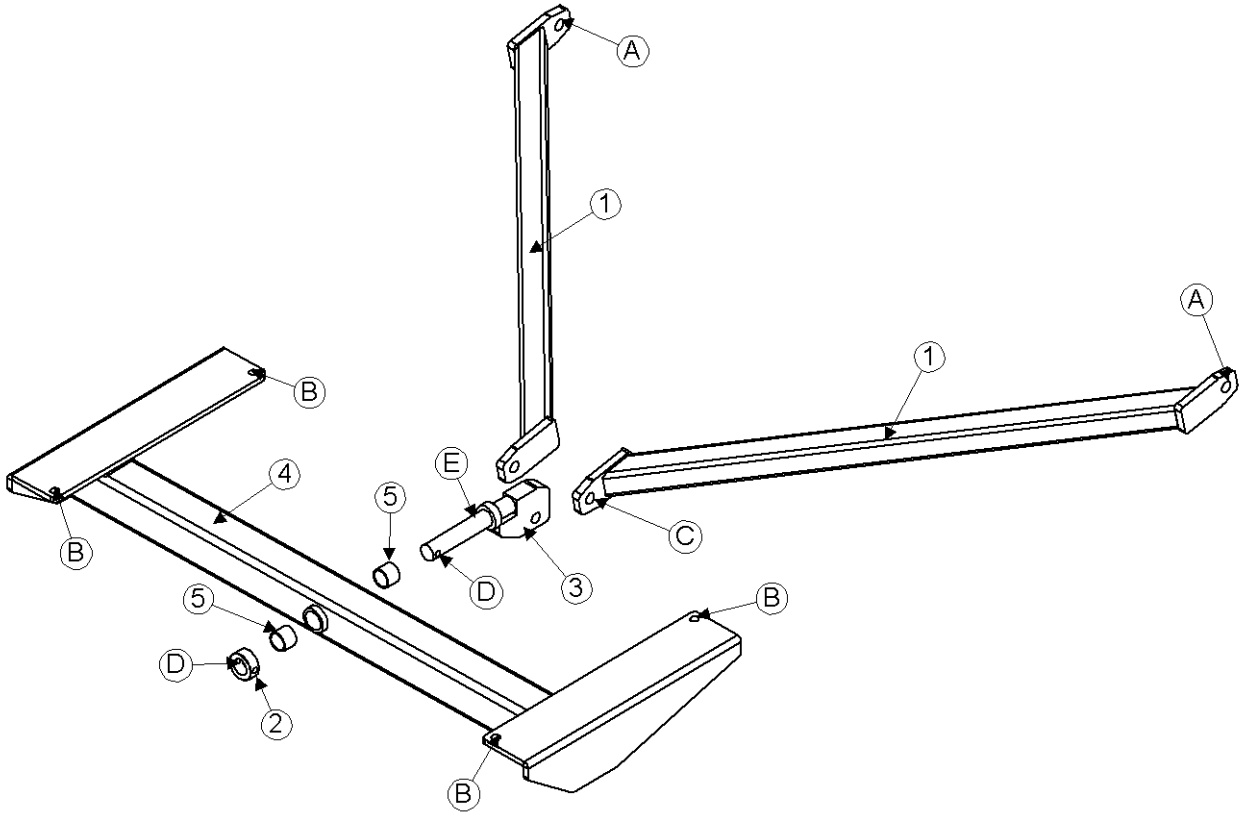


Model 2970 Hillco Leveling System
For Serial Numbers 2970-0043 thru 2970-0050

CARRIAGE FASTENERS				
REF.	PART NO.	QTY.	PART NAME	WHERE USED
A	F-HNF-10MF	4	FLHN-8.8 M10 X 1.50	EM MOUNT, CONTROL BOX
A	F-HC-10M025F	4	HC-8.8 M10 X 1.50 X 25	EM MOUNT, CONTROL BOX
B	F-HCF-12M025F	4	FLHC-8.8 M12 X 1.75 X 25	LEVELING CYL MNT PIN
C	F-HNS-16ME	2	HN-10.9 M16 X 2.00 STOVER	MAIN PVT PIN
D	F-HCF-10M020E	2	FLHC-10.9 M10 X 1.50 X 20	MASTER CYL MNT PIN
E	F-HCF-10M040F	8	HC 8.8 M10 X 1.50 X 40 FLNG	ORIGINAL AXLE COVER
E	F-HNF-10MF	8	HC 8.8 M10 X 1.50 FLNG	ORIGINAL AXLE COVER
E	F-FWF-06020	8	FW 3/8 X 1-1/4, FENDER	ORIGINAL AXLE COVER
F	F-HC8-12C240	8	HC8 3/4-10 X 15	OVERCARRIAGE CLAMP
F	F-HNS-12C	8	HN8 3/4-10 STOVER	OVERCARRIAGE CLAMP
G	F-HC-16M110E	8	HC-10.9 M16 X 2.00 X 110	OVERCARRIAGE FRONT MOUNT
G	F-FWHD-10	8	FW 5/8 HD	OVERCARRIAGE FRONT MOUNT
H	F-UDS-#7X06	2	SCREW U-DRIVE, #7 X 3/8	SERIAL NUMBER PLATE
I	F-HCF-16M080E	4	FLHC-10.9 M16 X 2.00 X 80	TRANSMISSION
J	F-HC-08M060F	2	HC-8.8 M8 X 1.25 X 60	HYDRO & HDR LIFT CYL HOSE BRACKETS
J	F-HNF-08MF	2	FLHN-8.8 M8 X 1.25	HYDRO & HDR LIFT CYL HOSE BRACKETS
NS	F-PSL-04X48	2	SNAP LOCK PIN, 1/4-3	SHIPPING SPACER

Model 2970 Hillco Leveling System
For Serial Numbers 2970-0043 thru 2970-0050

4 Y-BRACE

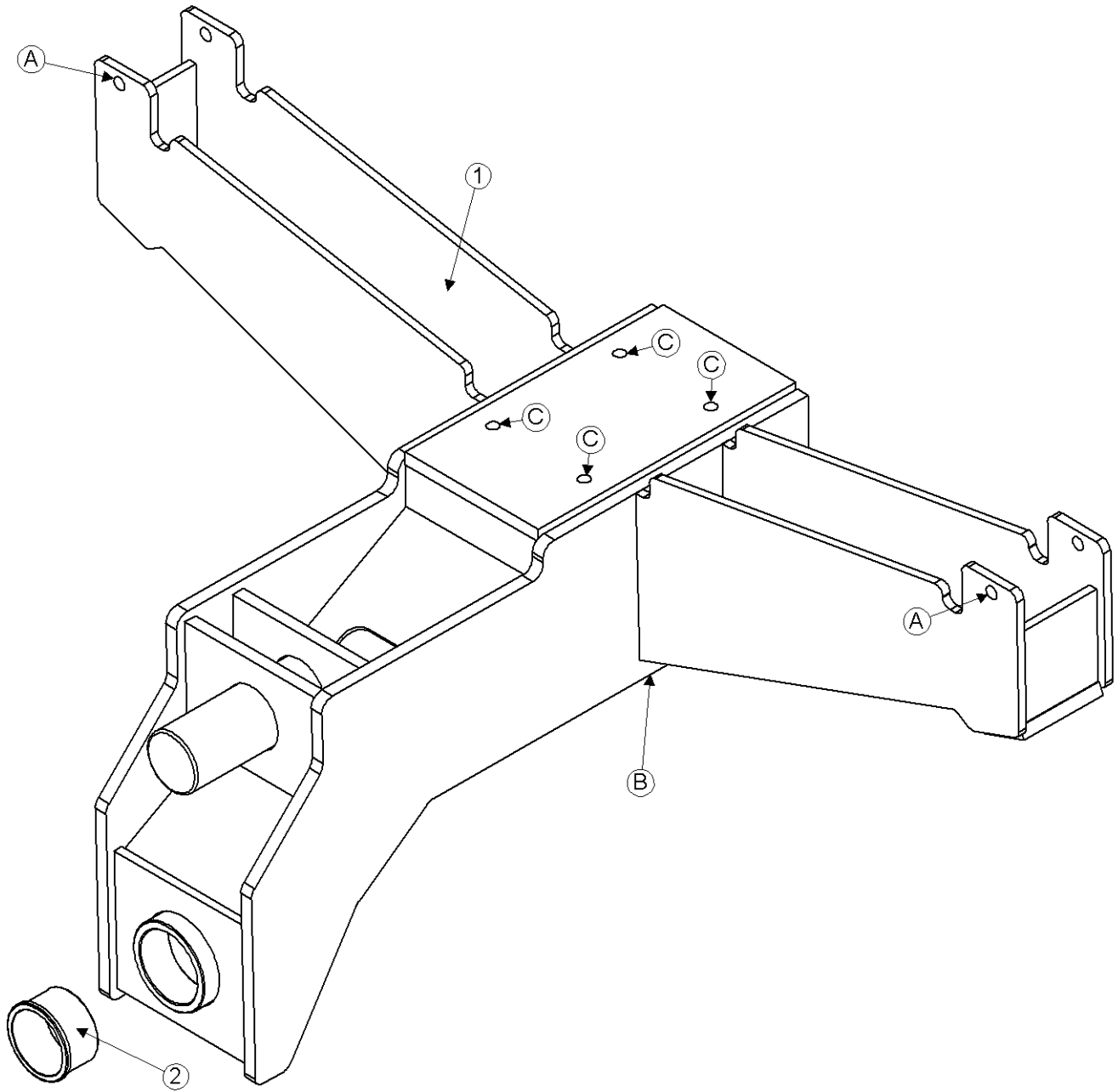


Model 2970 Hillco Leveling System
For Serial Numbers 2970-0043 thru 2970-0050

Y-BRACE COMPONENTS				
REF.	PART NO.	QTY.	PART NAME	NOTES
1	LA-228702	2	YB ARM ASM	
2	LM-234101	1	YB COLLAR, PIVOT PIN	
3	LA-228762	1	YB PIN ASM, PIVOT	
4	LA-255361	1	YB SUPPORT ASM, CROSS	<i>FOR 60 SERIES COMBINES</i>
NS	LA-234931	1	YB SUPPORT ASM, CROSS	<i>FOR 50 SERIES COMBINES</i>
5	LM-245431	2	BUSHING, PLANE	
Y-BRACE FASTENERS				
REF.	PART NO.	QTY.	PART NAME	WHERE USED
A	F-HC-24M070E	2	HC-10.9 M24 X 3.00 X 70	Y-BRACE FRNT MNT
A	F-HNS-24ME	2	HN-10.9 M24 X 3.00 STOVER	Y-BRACE FRNT MNT
B	F-HCF-16M090F	4	FLHC-10.9 M16 X 2 X 90	Y-BRACE CROSS SUPPORT <i>FOR 60 SERIES COMBINES</i>
B	F-HNSF-16ME	4	FLHN 10.9 M16 X 2 STOVER FLNG	Y-BRACE CROSS SUPPORT <i>FOR 60 SERIES COMBINES</i>
NS	F-HC-12M040E	6	HC-10.9 M12 X 1.75 X 40	Y-BRACE CROSS SUPPORT <i>FOR 50 SERIES COMBINES</i>
NS	F-HNS-12ME	6	HN-10.9 M12 X 1.75 STOVER	Y-BRACE CROSS SUPPORT <i>FOR 50 SERIES COMBINES</i>
C	F-HC-24M110E	1	HC-10.9 M24 X 3.00 X 110	Y-BRACE REAR MNT
C	F-HNS-24ME	1	HN-10.9 M24 X 3.00 STOVER	Y-BRACE REAR MNT
D	F-HC-12M080E	1	HC-10.9 M12 X 1.75 X 80	Y-BRACE PVT PIN COLLAR
D	F-HNS-12ME	1	HN-10.9 M12 X 1.75 STOVER	Y-BRACE PVT PIN COLLAR
E	F-MB-18NR24	20	MACH BUSH 18GA NR 1-1/2" ID	Y-BRACE PVT PIN

Model 2970 Hillco Leveling System
For Serial Numbers 2970-0043 thru 2970-0050

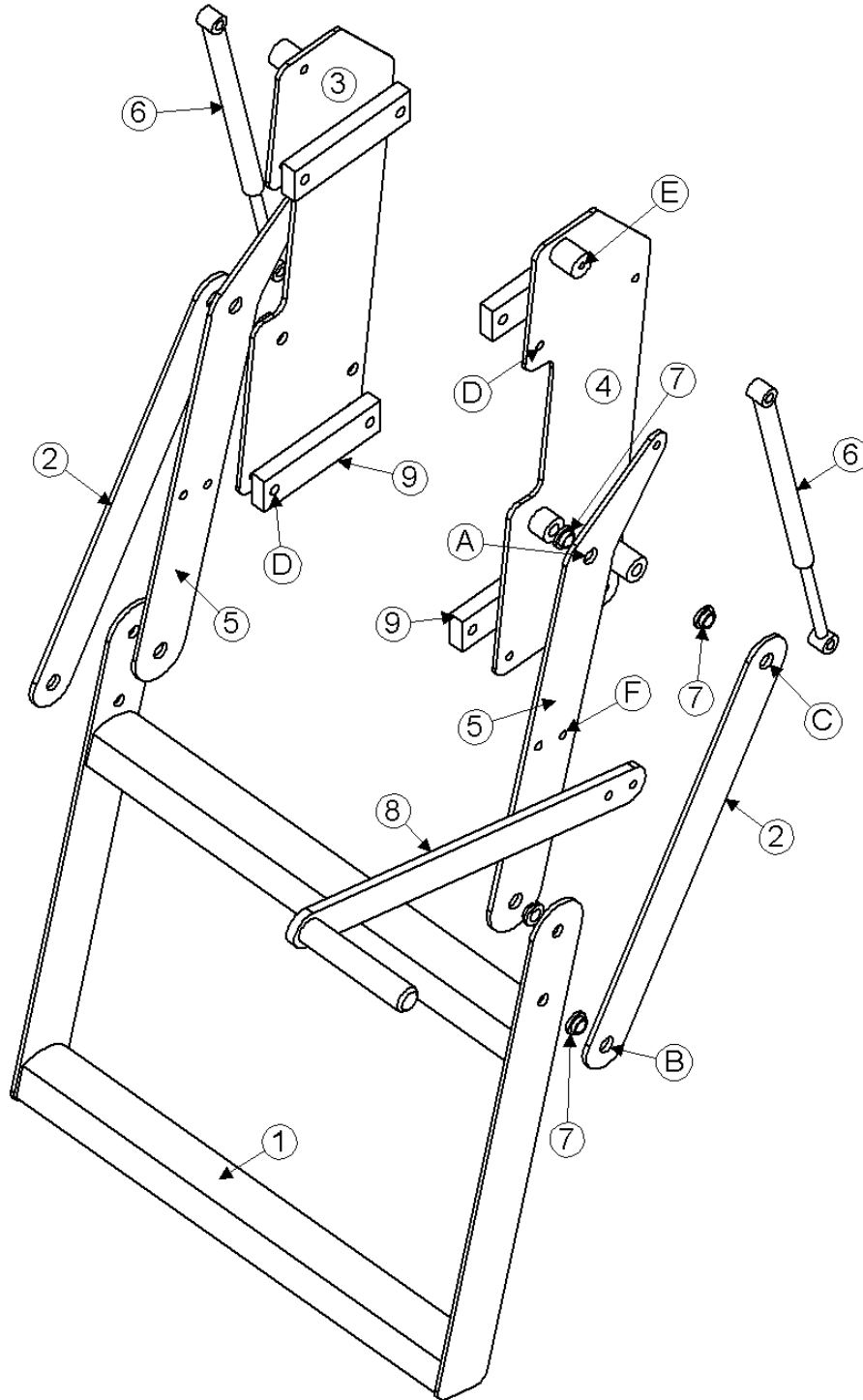
5 DROP AXLE



Model 2970 Hillco Leveling System
For Serial Numbers 2970-0043 thru 2970-0050

DROP AXLE COMPONENTS				
REF.	PART NO.	QTY.	PART NAME	NOTES
1	LA-234971	1	DA ASM	
2	LP-235092	1	LM BUSHING, DA PIVOT	
DROP AXLE FASTENERS				
REF.	PART NO.	QTY.	PART NAME	WHERE USED
A	F-HNS-16ME	2	HN-10.9 M16 X 2.00 STOVER	DROP AXLE WING
A	F-HC-16M190E	2	HC-10.9 M16 X 2.00 X 190	DROP AXLE WING
B	F-HC-16M250E	4	HC-10.9 M16 X 2.00 X 250	DROP AXLE LOWER PLATE
B	F-HNSF-16ME	4	HN 10.9 M16 X 2.00 STOVER, FLNG	DROP AXLE LOWER PLATE
C	F-HC-16M050E	4	HC-10.9 M16 X 2.00 X 50	DROP AXLE UPPER PLATE
C	F-HNS-16ME	4	HN-10.9 M16 X 2.00 STOVER	DROP AXLE UPPER PLATE

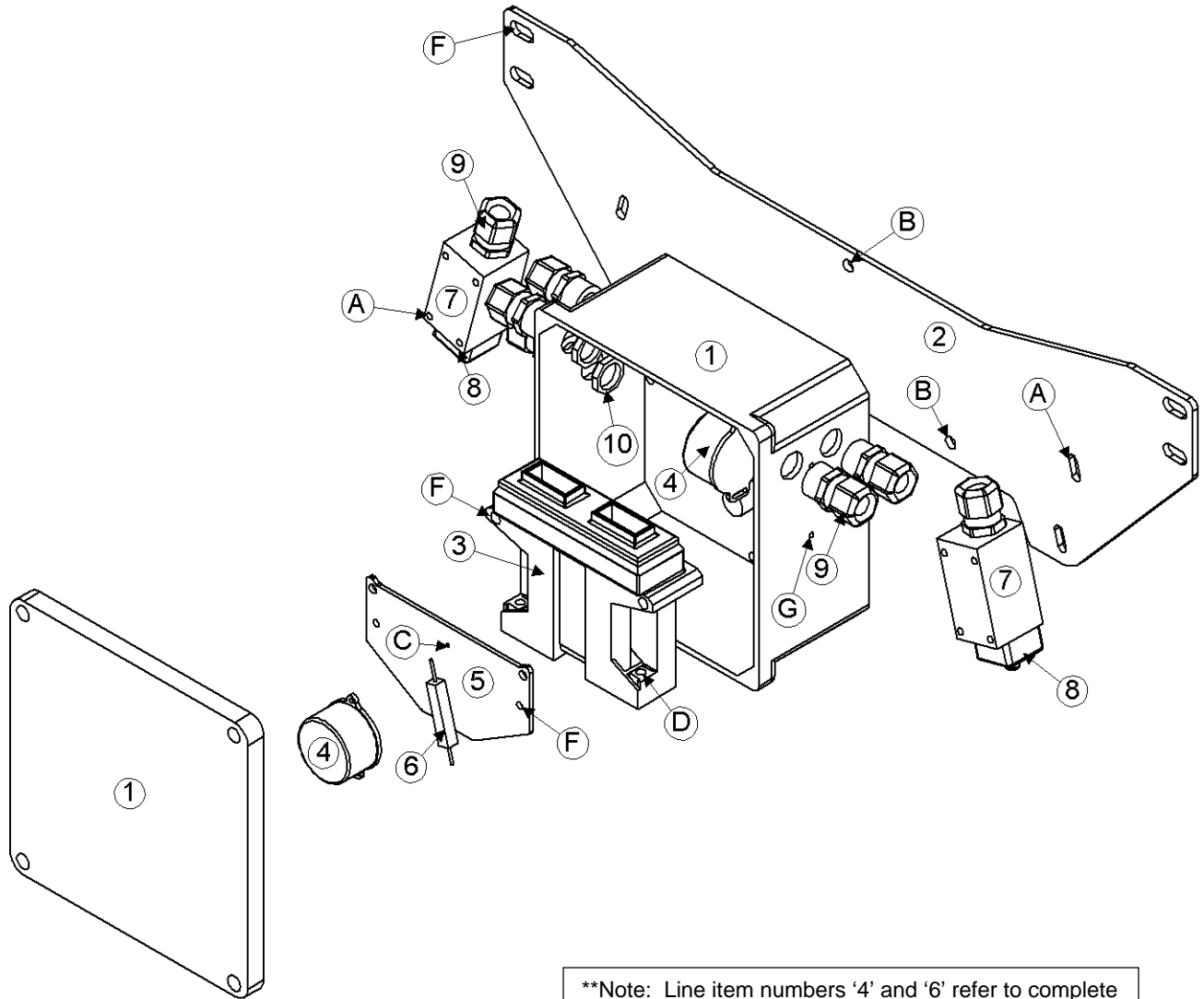
6 LADDER



Model 2970 Hillco Leveling System
For Serial Numbers 2970-0043 thru 2970-0050

LADDER COMPONENTS				
REF.	PART NO.	QTY.	PART NAME	NOTES
1	LA-236563	1	LM STEP ASM, FOLDING LADDER LOWER	
2	LM-236053	2	LM PLT, FOLDING LADDER LINK	
3	LA-236542	1	LM PLT ASM, LFT SIDE FOLDING LADDER	
4	LA-236552	1	LM PLT ASM, RHT SIDE FOLDING LADDER	
5	LM-236632	2	LM PLT, UPPER ARM	
6	MC-134921	2	GAS CHARGED LIFT SUPPORT	
NS	MC-134931	2	LIFT SUPPORT BRACKETS (PAIR)	
7	MC-134941	8	FLANGED BUSHING, OILITE	
8	LA-238761	1	LM ASM, LADDER HANDLE	
9	LM-241271	4	LM FLT, LADDER SPACER	
LADDER FASTENERS				
REF.	PART NO.	QTY.	PART NAME	WHERE USED
A	F-HC-12M050F	2	HC-8.8 M12 X 1.75 X 50	LADDER TOP SIDE PLATE PIVOT
A	F-HNS-12ME	2	HN-10.9 M12 X 1.75 STOVER	LADDER PIVOTS
B	F-HC-12M030F	4	HC-8.8 M12 X 1.75 X 30	LADDER MIDDLE PIVOTS
B	F-HNS-12ME	4	HN-10.9 M12 X 1.75 STOVER	LADDER PIVOTS
C	F-HC-12M065F	2	HC-8.8 M12 X 1.75 X 65	LADDER BOTTOM SIDE PLT PIVOTS
C	F-HNS-12ME	2	HN-10.9 M12 X 1.75 STOVER	LADDER PIVOTS
D	F-HC-08M035F	8	HC-8.8 M8 X 1.25 X 35	LADDER SIDE PLATE MOUNTS
D	F-HNF-08MF	8	FLHN 8.8 M8 X 1.25	LADDER SIDE PLATE MOUNTS
E	F-HNJ-05C	2	HN5 5/16-18 JAM NUT	LADDER BALL STUD
E	F-LW-05	2	LW 5/16	LADDER BALL STUD
F	F-HC-08M025F	2	HC-8.8 M8 X 1.25 X 25	LADDER HANDLE
F	F-HNF-08MF	2	FLHN 8.8 M8 X 1.25	LADDER HANDLE

7 ELECTRICAL COMPONENTS

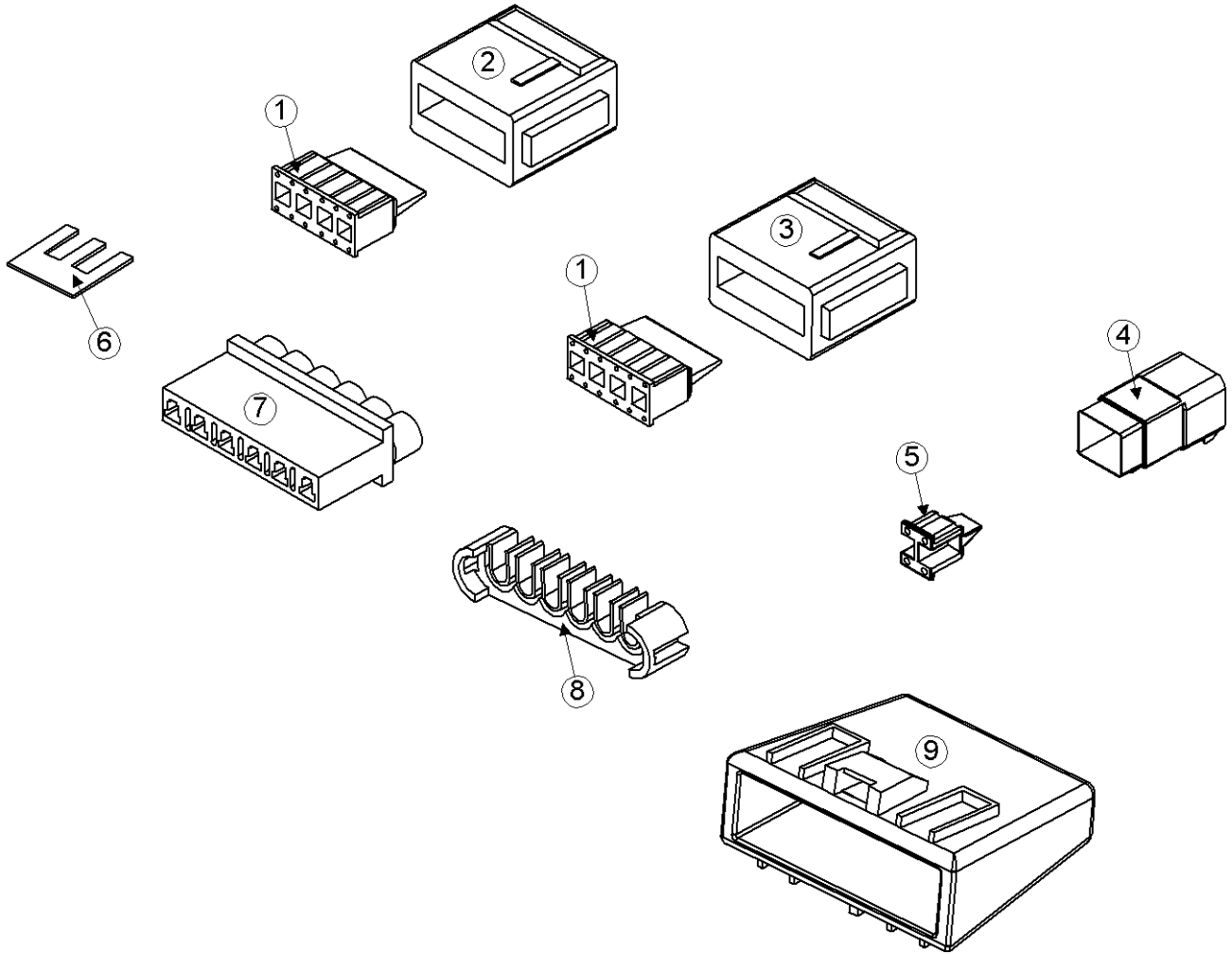


**Note: Line item numbers '4' and '6' refer to complete assemblies. The complete assemblies are not shown in this diagram. See page 7-5 for a picture of the complete assemblies.

Model 2970 Hillco Leveling System
For Serial Numbers 2970-0043 thru 2970-0050

ELECTRICAL COMPONENTS				
REF.	PART NO.	QTY.	PART NAME	NOTES
2970H EARLY SN [9650 STS (BEFORE SN-695500); 9750 STS (BEFORE SN-695600)]				
ASM	LA-259301	1	EM ASM, CONTROLLER	
2970H LATE SN [9650 STS (SN 695501- AND AFTER); 9750 STS (695601-AND AFTER); 9660 STS (705501-AND AFTER); 9760 STS (705601-AND AFTER); 9860 STS (705701-AND AFTER)]				
ASM	LA-259311	1	EM ASM, CONTROLLER	
FOR ALL COMBINES				
1	LM-255341	1	EM BOX, CONTROLLER MOUNT	
2	LP-234653	1	EM MOUNT, CONTROL BOX	
3	EC-141831	1	CONTROLLER	
4	LA-261191	1	EM ASM, CLINOMETER	**SEE NOTE BELOW DIAGRAM
5	LM-255331	1	EM SHT, CLINOMETER MOUNT	
6	LA-255621	1	EM CABLE ASM, RESISTOR	**SEE NOTE BELOW DIAGRAM
7	EC-100557	2	BODY, LIMIT SWITCH	
8	EC-100692	2	HEAD, LIMIT SWITCH STR PLUNGER	
9	EC-138781	6	STRAIN RELIEF, NYLON, BLK, 1/2 NPT	
10	EC-142121	4	STRAIN RELIEF NUT, 1/2" NYLON, BLK	
ELECTRICAL FASTENERS				
REF.	PART NO.	QTY.	PART NAME	WHERE USED
A	F-PHM-#10C28	4	PHMS 10-24 X 1-3/4	LIMIT SWITCH MNT
A	F-HNF-#10C	4	HN 10-24, FLNG, SERR	LIMIT SWITCH MNT
B	F-HC5-04C12	3	HC5 1/4-20 X 3/4	PVC BOX TO BRACKET
B	F-LW-04	3	LW 1/4	PVC BOX TO BRACKET
C	F-PHM-#6C06	2	PHMS #6-32 X 3/8	CLINOMETER MNT TO PLATE
D	F-PHM-04C24	2	PHMS 1/4-20 X 1-1/2	CONTROLLER TO PVC BOX
D	F-HNF-04C	2	FLHN 1/4-20, SERR	CONTROLLER TO PVC BOX
E	F-PHM-04C36	2	PHMS 1/4-20 X 2-1/4	GROUNDING PLATE MOUNTING
E	F-HNF-04C	2	FLHN 1/4-20, SERR	GROUNDING PLATE MOUNTING
F	F-PHM-#10C16	2	PHMS 10-24 X 3/4	GROUNDING PLATE GROUND
F	F-HNF-#10C	2	HN5 10-24, FLNG, SERR	GROUNDING PLATE GROUND
F	F-HN-#10C	2	HN5 10-24	GROUNDING PLATE GROUND
G	F-PHM-#6C08	2	PHMS #6-32 X 1/2	CLINOMETER MNT TO BOX
G	F-HNF-#6C	1	FLHN #6-32 SERR.	CLINOMETER MNT TO BOX

Model 2970 Hillco Leveling System
For Serial Numbers 2970-0043 thru 2970-0050
ELECTRICAL CONNECTORS



Model 2970 Hillco Leveling System
For Serial Numbers 2970-0043 thru 2970-0050

ELECTRICAL CONNECTORS				
REF.	PART NO.	QTY.	PART NAME	DESCRIPTION
1	EC-141741	4	DTM SERIES, 12-SOCKET WEDGE	
2	EC-141751	2	DTM SERIES, 12-SOCKET PLUG, GRAY	
3	EC-141761	1	DTM SERIES, 12-SOCKET PLUG, BLACK	
4	EC-141791	1	DTM SERIES, 4-SOCKET PLUG	
5	EC-141801	1	DTM SERIES, 4-SOCKET WEDGE	
6	EC-143291	1	COMMON BAR, 3 GANG	
7	EC-143301	1	BODY, SPLICE PACK	
8	EC-143311	1	TPA	
9	EC-143321	1	CAP, EXTENDED, BLACK	
NS	EC-143281	3	PLUG, CAVITY	
NS	EC-136631	8	SEAL, GREEN	
NS	EC-136701	5	PIN,AMP	
NS	EC-136711	1	AMP SOCKET	
NS	EC-140841	1	TERMINAL	
NS	EC-140851	2	TERMINAL	
NS	EC-136621	2	TERMINAL, FEMALE SLEEVE, WP	
NS	EC-136661	2	TERMINAL, MALE PIN, WP	
NS	EC-143331	3	TERMINAL, FEMALE, MP 280 SERIES	
NS	EC-140861	2	SEAL, RED	
NS	EC-100164	6	PIN, ELECTRICAL	
NS	EC-100165	3	SOCKET, SIZE 16 DEUTSCH	
NS	EC-139631	2	CONNECTOR, PARALLEL, 12-10 GA	
NS	EC-139641	2	CONNECTOR, PARALLEL, 16-14 GA	
NS	EC-143211	1	CONNECTOR, 2-MALE, WP	
NS	EC-143221	1	CONNECTOR, 2-FEMALE, WP	
NS	EC-143421	1	DTM SERIES, 12- PIN PLUG, FLANGE MNT, GRAY	
NS	EC-141771	40	DTM SERIES, SOCKET CONTACT, STAMPED	
NS	EC-141781	14	DTM SERIES, PIN CONTACT, STAMPED	

Model 2970 Hillco Leveling System
For Serial Numbers 2970-0043 thru 2970-0050

ELECTRICAL CABLES



#1 LA-255631
EM CABLE ASM, LIMIT SWITCH



#2 LA-261191
EM ASM,
CLINOMETER

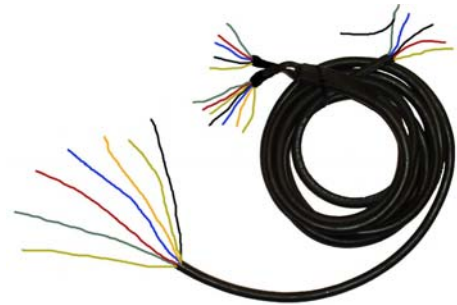


#3 LA-252462
EM CABLE ASM, MAX LEVEL LIGHT

#4 LA-260271
EM CABLE ASM,
MANIFOLD



#5 LA-255721
EM ALL CABLE ASM, CAB TO BOX, EARLY



#6 LA-260251
EM ALL CABLE ASM, BOX TO VALVE



#7 LA-255731
EM ALL CABLE ASM, CAB TO BOX, LATE



#8 LA-255621
EM CABLE ASM,
RESISTOR



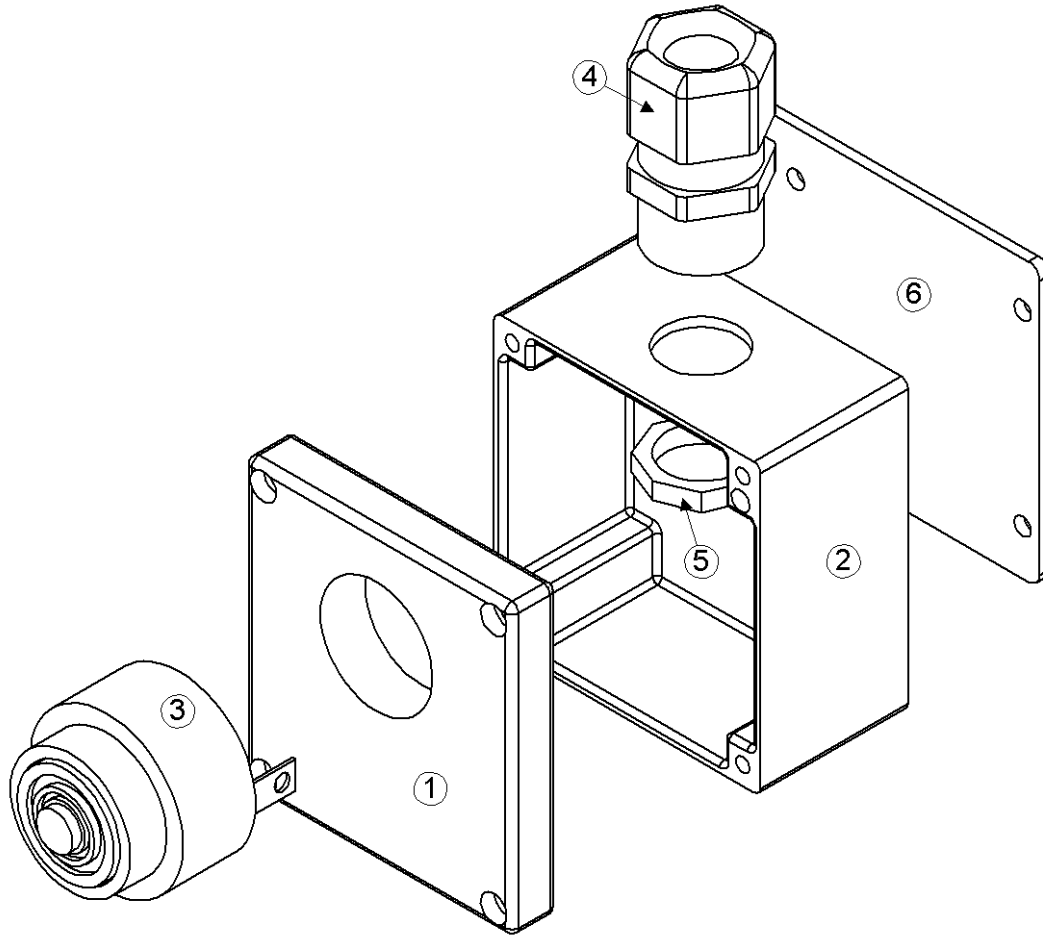
#6 LA-260231
EM ALL CABLE ASM, BOX TO VALVE

Model 2970 Hillco Leveling System
For Serial Numbers 2970-0043 thru 2970-0050

CABLE ASSEMBLIES				
REF.	PART NO.	QTY.	PART NAME	NOTES
FOR ALL COMBINES				
1	LA-255631	2	EM CABLE ASM, LIMIT SWITCH	
2	LA-261191	1	EM ASM, CLINOMETER	
3	LA-252462	1	EM CABLE ASM, MAX LEVEL LIGHT	
NS	LA-261691	1	EM ASM, DIAGNOSTIC CONNECTION	
4	LA-260271	1	EM CABLE ASM, MANIFOLD	
..	LA-261141	1	EM CABLE ASM, LEVEL LEFT	INCLUDED IN LA-260271
..	LA-261151	1	EM CABLE ASM, LEVEL RIGHT	INCLUDED IN LA-260271
..	LA-261161	1	EM CABLE ASM, TRIM LEFT	INCLUDED IN LA-260271
..	LA-261171	1	EM CABLE ASM, TRIM RIGHT	INCLUDED IN LA-260271
..	LA-260291	1	EM CABLE ASM, RWA SIGNAL	INCLUDED IN LA-260271
2970H EARLY [COMBINES W/ S/N 9650 STS (-695500); 9750 STS (-695600)]				
5	LA-255721	1	EM ALL CABLE ASM, CAB TO BOX, EARLY	
..	LA-252482	1	EM CABLE ASM, CAB TO BOX	INCLUDED IN LA-255721
..	LA-252462	1	EM CABLE ASM, MAX LEVEL LIGHT	INCLUDED IN LA-255721
2970H COMBINES WITH SERIAL NUMBERS: 9650 STS (ALL); 9750 STS (ALL); 9660 STS (705501-715400); 9760 STS (705601-715500); 9860 STS (705701-715600)				
6	LA-260251	1	EM ALL CABLE ASM, BOX TO VALVE	
..	LA-255642	1	EM CABLE ASM, BOX TO VALVE	INCLUDED IN LA-260251
..	LA-260241	1	EM CABLE ASM, TRIM SIGNAL	INCLUDED IN LA-260251
7	LA-255731	1	EM ALL CABLE ASM, CAB TO BOX, LATE	
8	LA-255621	1	EM CABLE ASM, RESISTOR	INCLUDED IN LA-255731
2970H COMBINES WITH SERIAL NUMBERS: 9660 STS (715401-AND AFTER); 9760 STS (715501-AND AFTER); 9860 STS (715601-AND AFTER)				
9	LA-260231	1	EM ALL CABLE ASM, BOX TO VALVE	
..	LA-255642	1	EM CABLE ASM, BOX TO VALVE	
..	LA-260221	1	EM CABLE ASM, TRIM SIGNAL	

Model 2970 Hillco Leveling System
For Serial Numbers 2970-0043 thru 2970-0050

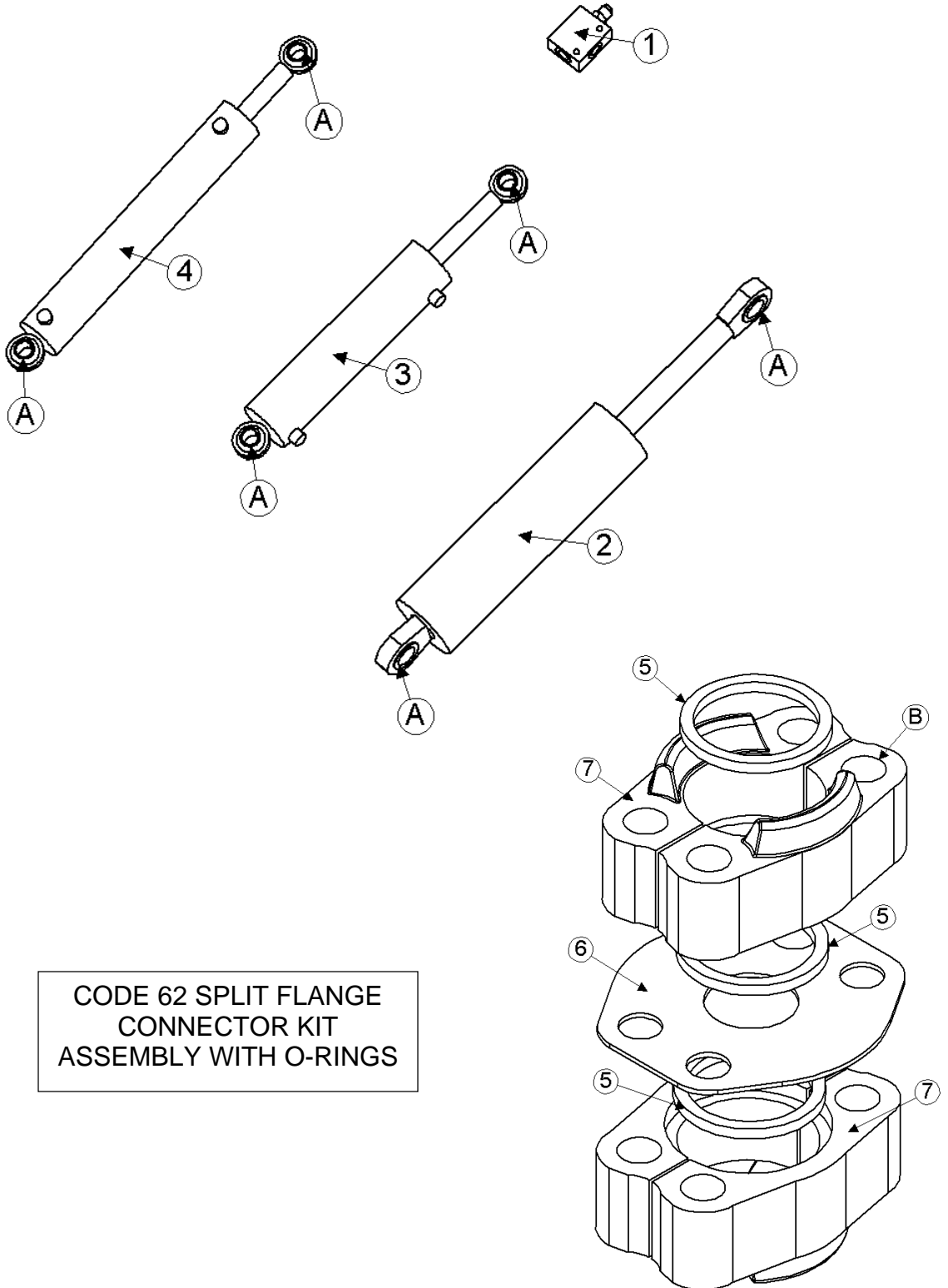
REAR WHEEL ASSIST



Model 2970 Hillco Leveling System
For Serial Numbers 2970-0043 thru 2970-0050

REAR WHEEL ASSIST				
REF.	PART NO.	QTY.	PART NAME	DESCRIPTION
ASM	LA-260201	1	EM CABLE ASM, RWA WARNING	
1	LM-260181	1	EM LID, WARNING ALARM	
2	LM-260191	1	EM BOX, WARNING ALARM	
NS	EC-141771	1	SOCKET CONTACT, STAMPED, DTM SERIES	
3	EC-143191	1	ALARM, AUDIBLE ELECTRONIC, LED	
4	EC-138781	1	STRAIN RELIEF, NYLON, BLK,1/2 NPT	
5	EC-142121	1	STRAIN RELIEF NUT, 1/2" NYLON, BLK	
6	LM-261851	1	EM MOUNT, RWA ALARM	
NS	LL-143671	1	RWA WARNING LABEL	

8 HYDRAULICS



CODE 62 SPLIT FLANGE
CONNECTOR KIT
ASSEMBLY WITH O-RINGS

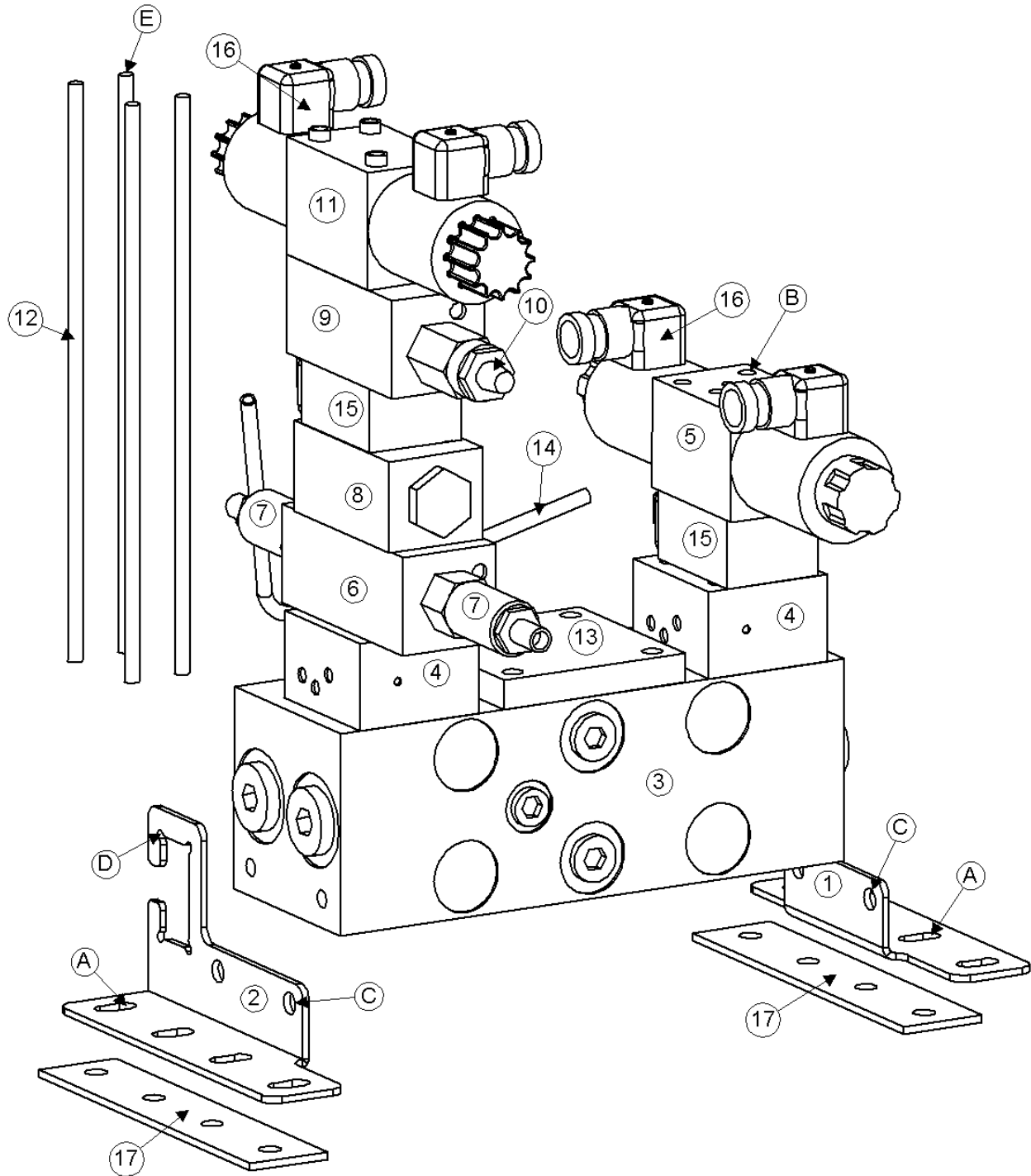
Model 2970 Hillco Leveling System
 For Serial Numbers 2970-0043 thru 2970-0050

COUNTERBALANCE VALVE AND CYLINDERS				
REF.	PART NO.	QTY.	PART NAME	NOTES
1	HC-139151	2	COUNTERBALANCE VALVE, 3 PORT	
..	HC-139181	2	BODY, COUNTERBALANCE VALVE	
..	HC-139161	2	CARTRIDGE, COUNTERBALANCE VALVE	
NS	HC-140361	2	SEAL KIT, COUNTERBALANCE VALVE	
2	HC-103227	2	CYLINDER, MAIN	
NS	HC-134251	2	SEAL KIT, MAIN CYLINDER	
3	HC-101842	1	CYLINDER, MASTER	
NS	HC-134201	1	SEAL KIT, MASTER CYLINDER	
4	HC-100706	1	CYLINDER, SLAVE, 2-1/2 X 12-1/2	
NS	HC-134191	1	SEAL KIT, SLAVE CYLINDER	
CODE 62 SPLIT FLANGE CONNECTOR KIT ASSEMBLY				
ASM	HC-101843	2	CODE 62 SLT FLNG CONNECTOR KIT WITH O-RINGS	FWD AND REAR PROPULSION HOSE
5	HC-134911	6	O-RING, CODE 62 CONNECTOR	
6	HC-137891	2	PLATE, CODE 62	
7	HC-137901	4	CODE 62, #16 SPLIT FLANGE KIT	
HYDRAULIC FASTENERS				
REF.	PART NO.	QTY.	PART NAME	WHERE USED
A	F-SSS-04F04	8	SET SCREW, SOCKET 1/4-28 X 1/4	ALL CYLINDERS
B	F-HC8-07C44	8	HC8 7/16 X 2-3/4	CODE 62 SPLIT FLANGE KIT
B	F-HN8-07C	8	HN8 7/16-14	CODE 62 SPLIT FLANGE KIT

Model 2970 Hillco Leveling System
For Serial Numbers 2970-0043 thru 2970-0050

HYDRAULIC MANIFOLD

**HYDRAULIC MANIFOLD FOR LEVELING SYSTEM SERIAL NUMBERS
2970-0043 THRU 2970-0045 & 2970-0049 THRU 2970-0050**

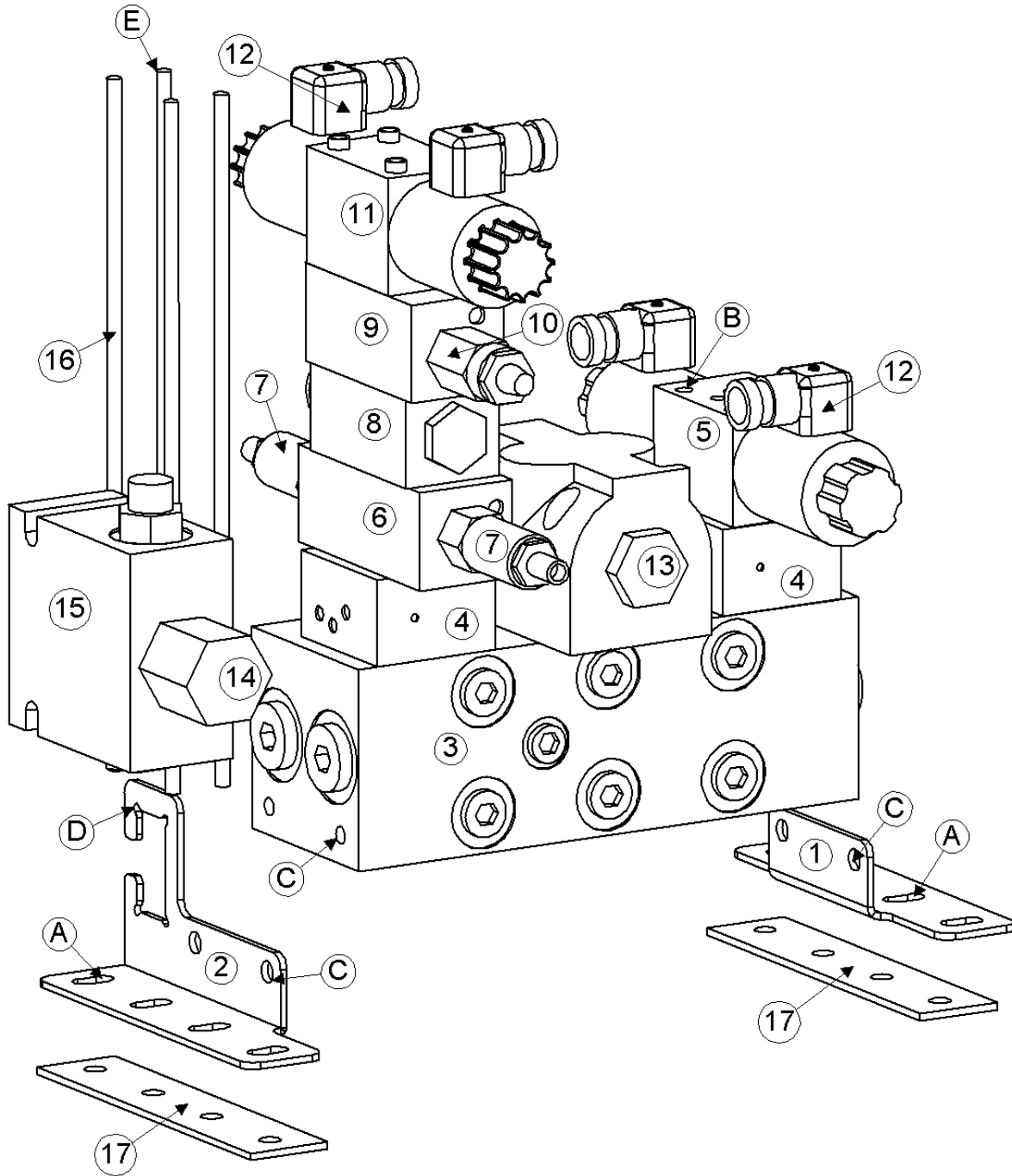


Model 2970 Hillco Leveling System
For Serial Numbers 2970-0043 thru 2970-0050

MANIFOLD COMPONENTS				
FOR LEVELING SYSTEM SERIAL NUMBERS 2970-0043 THRU 2970-0045 AND 2970-0049 THRU 2970-0050				
REF.	PART NO.	QTY.	PART NAME	NOTES
1	LP-250041	1	HM PLT, MANIFOLD MNT	
2	LP-261031	1	HM MOUNT, MANIFOLD ELECTRICAL	
3	HC-142981	1	MANIFOLD, 3-STATION W/ RELIEF CAVITY	
4	HC-143001	2	ADAPTER, D03/D05 VALVE	LEVELING AND TRIM SECTIONS OF MANIFOLD
5	HC-140411	1	VALVE, DIRECTIONAL CONTROL, PROPORTIONAL	
NS	HC-142731	1	SEAL KIT, DIRECTIONAL CONTROL VALVE	FOR HC-140411
6	HC-143731	1	HOUSING, DUAL RELIEF	TRIM PORTION OF MANIFOLD
7	HC-142991	3	CARTRIDGE, PRESSURE RELIEF	MANIFOLD AND DUAL RELIEF HOUSING
8	HC-101034	1	CHECK VALVE, DUAL PILOT OPERATED	TRIM PORTION OF MANIFOLD
9	HC-143061	1	BODY, FLOW CONTROL	TRIM PORTION OF MANIFOLD
10	HC-143741	1	CARTRIDGE, PRESSURE COMP FLOW CONTROL	TRIM PORTION OF MANIFOLD
11	HC-143011	1	VALVE, DIRECTIONAL CONTROL, BANG/BANG	
NS	HC-142731	1	SEAL KIT, DIRECTIONAL CONTROL VALVE	FOR HC-143011
12	LM-249701	4	HM STUD, MANIFOLD TRIM	
13	HC-143041	1	PLATE, COVER D05	MIDDLE STATION ON MANIFOLD
14	LM-261181	1	HM TUBE, LOAD SENSE	
15	HC-101264	2	LOAD SENSE SHUTTLE ASM	LEVELING STATION ON MANIFOLD
..	HC-101021	1	CARTRIDGE, LOAD SENSE VALVE	
..	HC-101022	1	BODY, LOAD SENSE VALVE	
NS	HC-102082	1	SEAL KIT, LOAD SENSE SHUTTLE ASM	
16	HC-140291	4	PLUG, DIN, LIGHTED (DIN CONNECTOR W/ LED/PG-11)	COILS ON DIRECTIONAL CONTROL VALVES
NS	HC-142971	4	GASKET, DIN CONNECTOR	COILS ON DIRECTIONAL CONTROL VALVES
17	LM-260211	2	HM PLT, MANIFOLD MNT WASHER	
MANIFOLD FASTENERS				
A	F-HCF-8M020F	8	FLHC-8.8 M8 X 1.25 X 20	MANIFOLD BRACKET
A	F-HNF-08MF	8	FLHN-8.8 M8 X 1.25	MANIFOLD BRACKET
B	F-SHC-#10C52	4	SHCS 10-24 X 3-1/4	LEVELING STATION OF MANIFOLD
B	F-LW-#10	4	LW #10	LEVELING STATION OF MANIFOLD
C	F-HCF-05C08	4	HC5 5/16-18 X 1/2 FLANGE	MANIFOLD TO BRACKET
D	F-PHM-#6C08	4	PHMS 6-32 X 1/2	RECEPTACLE PLUG MOUNTING
D	F-HNF-#6C	4	FLHN 6-32 SERR	RECEPTACLE PLUG MOUNTING
E	HC-139871	4	NUT, STUD, 10-24	

Model 2970 Hillco Leveling System
For Serial Numbers 2970-0043 thru 2970-0050
HYDRAULIC MANIFOLD (CONTINUED)

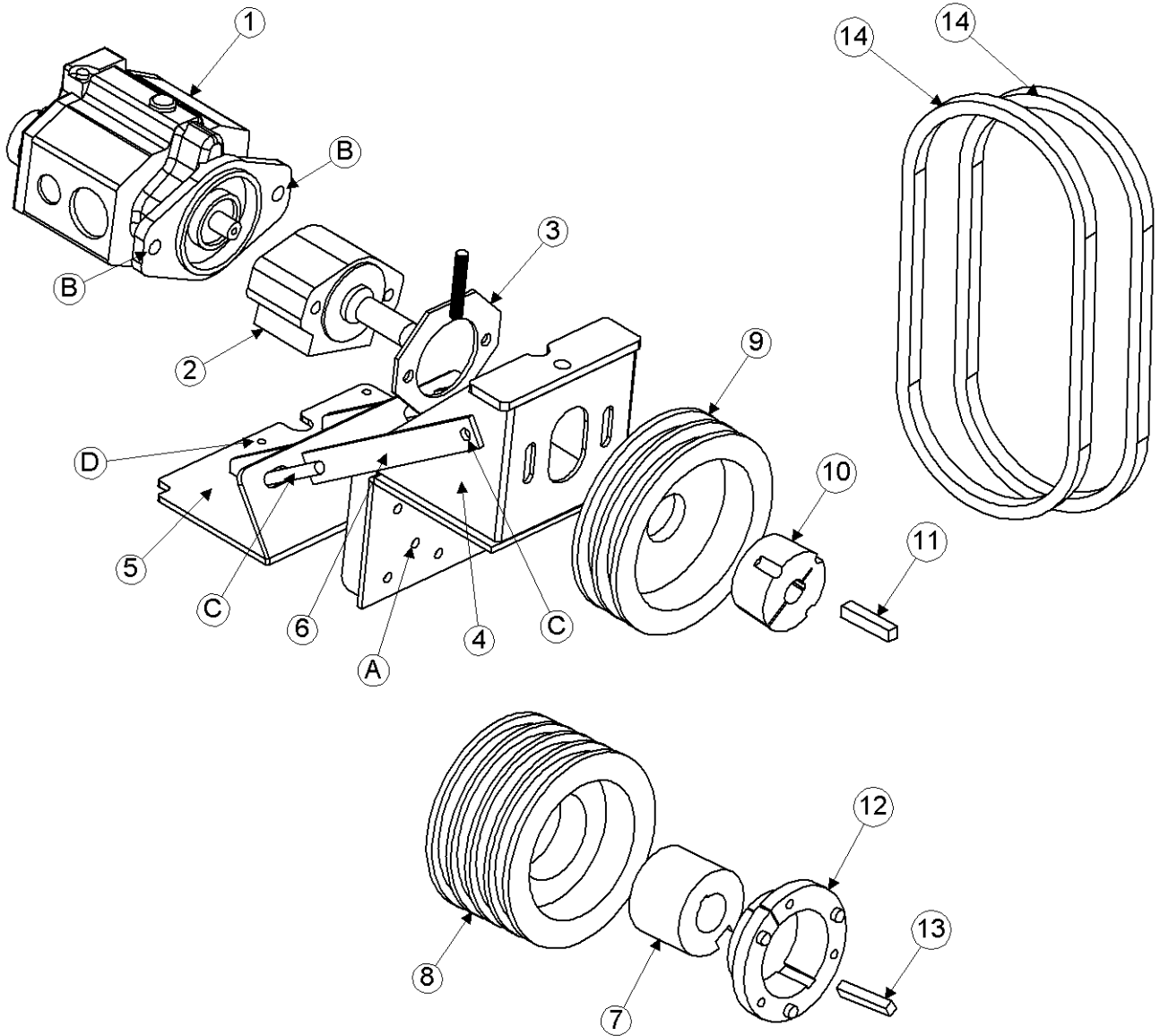
HYDRAULIC MANIFOLD FOR LEVELING SYSTEM SERIAL NUMBERS
2970-0046 THRU 2970-0048



Model 2970 Hillco Leveling System
For Serial Numbers 2970-0043 thru 2970-0050

MANIFOLD COMPONENTS				
FOR LEVELING SYSTEM SERIAL NUMBERS 2970-0046 THRU 2970-0048				
REF.	PART NO.	QTY.	PART NAME	NOTES
1	LP-250041	1	HM PLT, MANIFOLD MNT	
2	LP-261031	1	HM MOUNT, MANIFOLD ELECTRICAL	
3	HC-142981	1	MANIFOLD, 3-STATION W/ RELIEF CAVITY	
4	HC-143001	2	ADAPTER, D03/D05 VALVE	LEVELING AND TRIM SECTIONS OF MANIFOLD
5	HC-140411	1	VALVE, DIRECTIONAL CONTROL, PROPORTIONAL	
NS	HC-142731	1	SEAL KIT, DIRECTIONAL CONTROL VALVE	FOR HC-140411
6	HC-143731	1	HOUSING, DUAL RELIEF	TRIM PORTION OF MANIFOLD
7	HC-142991	3	CARTRIDGE, PRESSURE RELIEF	MANIFOLD AND DUAL RELIEF HOUSING
8	HC-101034	1	CHECK VALVE, DUAL PILOT OPERATED	TRIM PORTION OF MANIFOLD
9	HC-143061	1	BODY, FLOW CONTROL	TRIM PORTION OF MANIFOLD
10	HC-143741	1	CARTRIDGE, PRESSURE COMP FLOW CONTROL	TRIM PORTION OF MANIFOLD
11	HC-143011	1	VALVE, DIRECTIONAL CONTROL, BANG/BANG	
NS	HC-142731	1	SEAL KIT, DIRECTIONAL CONTROL VALVE	FOR HC-143011
12	HC-140291	5	PLUG, DIN, LIGHTED (DIN CONNECTOR W/ LED/PG-11)	COILS ON DIRECTIONAL CONTROL VALVES
NS	HC-142971	5	GASKET, DIN CONNECTOR	COILS ON DIRECTIONAL CONTROL VALVES
13	HC-143071	1	VALVE, D05, SOFT SHIFT DUMP	
14	HC-143081	1	VALVE, PRIORITY FLOW CONTROL	
15	HC-143091	1	BODY, PRIORITY FLOW CONTROL VALVE	
16	LM-260871	4	HM STUD, MANIFOLD TRIM	
17	LM-260211	2	HM PLT, MANIFOLD MNT WASHER	
MANIFOLD FASTENERS				
A	F-HCF-8M020F	8	FLHC-8.8 M8 X 1.25 X 20	MANIFOLD BRACKET
A	F-HNF-08MF	8	FLHN-8.8 M8 X 1.25	MANIFOLD BRACKET
B	F-SHC-#10C52	4	SHCS 10-24 X 3-1/4	LEVELING STATION OF MANIFOLD
B	F-LW-#10	4	LW #10	LEVELING STATION OF MANIFOLD
C	F-HCF-05C08	4	HC5 5/16-18 X 1/2 FLANGE	MANIFOLD TO BRACKET
D	F-PHM-#6C08	4	PHMS 6-32 X 1/2	RECEPTACLE PLUG MOUNTING
D	F-HNF-#6C	4	FLHN 6-32 SERR	RECEPTACLE PLUG MOUNTING
E	HC-139871	4	NUT, STUD, 10-24	

Model 2970 Hillco Leveling System
For Serial Numbers 2970-0043 thru 2970-0050
HYDRAULIC PUMP



Model 2970 Hillco Leveling System
For Serial Numbers 2970-0043 thru 2970-0050

PUMP DRIVE COMPONENTS				
REF.	PART NO.	QTY.	PART NAME	NOTES
1	HC-133151	1	PUMP, HYDRAULIC PFC-116	
NS	HC-135231	1	SEAL KIT, PUMP	
..	HC-135241	1	SEAL, PUMP MAIN SHAFT	
..	HC-135251	2	SEAL, PINTLE SHAFT	
..	HC-103099	1	COMPENSATOR #2	
..	HC-137061	1	KEY, HYDRAULIC PUMP SHAFT	
2	HC-141531	1	ADAPTER, OVER-HUNG LOAD	
NS	LA-259551	1	REBUILD KIT, 300 OHLA	
3	LA-235271	1	HM PUMP DR, MOUNT PLT ASM	
4	LA-235261	1	HM PUMP DR, ASM	
5	LA-238821	1	HM ASM, PUMP MNT ANCHOR	
6	LA-238791	2	HM ASM, PUMP MNT DRAW BOLT	
7	LM-235281	1	HM PUMP DR, HUB	
8	MC-134321	1	SHEAVE, 4 GROOVE, 8"	
9	MC-134502	1	SHEAVE, 2 GROOVE, 7.5"	
10	MC-134342	1	BUSHING, TAPER LOCK	
11	LS-235291	1	HM PUMP DR, OHLA KEY	
12	MC-134351	1	BUSHING, 3-1/2", TAPER LOCK	
13	LM-236611	1	KEY, 3-1/2 QD HUB	
14	MC-140371	2	BELT, DRIVE	C-54 V-BELT
NS	LA-260401	1	OHLA SYNTHETIC OIL (I5068)	2.5mL
NS	HC-143251	1	METAL FILTER BREATHER, 10 MICRON	
NS	HC-143231	1	1/8" PIPE X 3" CLOSED NIPPLE	
NS	HC-143241	1	1/8" FPIPE MECHANIC COUPLER	
PUMP DRIVE FASTENERS				
REF.	PART NO.	QTY.	PART NAME	WHERE USED
A	F-HC-10M040E	5	HC-10.9 M10 X 1.50 X 40	HYDRAULIC PUMP MOUNT
A	F-HNF-10ME	5	FLHN-10.9 M10 X 1.50	HYDRAULIC PUMP MOUNT
B	F-HC-10M110E	2	HC-10.9 M10 X 1.50 X 110	PUMP/OHLA TO BRACKET
B	F-HNF-10ME	2	FLHN-10.9 M10 X 1.50	PUMP/OHLA TO BRACKET
C	F-HNF-12ME	6	FLHN-10.9 M12 X 1.75	PUMP MNT DRAW BOLT
C	F-HC-12M030E	2	HC-10.9 M12 X 1.75 X 30	PUMP MNT DRAW BOLT
D	F-HCF-10M030E	4	FLHC-10.9 M10 X 1.50 X 30	PUMP MNT ANCHOR

Model 2970 Hillco Leveling System
For Serial Numbers 2970-0043 thru 2970-0050

HYDRAULIC HOSES

REF.	PART NO.	QTY.	PART NAME	WHERE USED
MAIN LEV CYLINDERS				
NS	LA-140071	2	1/4 100R2 HOSE 79-1/2" #6 FORS 90° X #6 FORS STR	L OR R POCV #3 TO L OR R POCV #2
NS	LA-140081	2	1/2 100R2 HOSE 70-1/2" #8 FORS STR X #8 FORS STR	L OR R ROD TO POCV #2
GREASE HOSES				
NS	LA-140091	1	3/16 R1 GREASE HOSE 95-3/4" 1/8 MPT X 1/8 MPT	LH MAIN LEV CYL BASE TO BH #1
NS	LA-140101	1	3/16 R1 GREASE HOSE 48" 1/8 MPT X 1/8 MPT	RH MAIN LEV CYL BASE TO BH #2
NS	LA-140111	1	3/16 R1 GREASE HOSE 64" 1/8 MPT X 1/8 MPT	MSTR BASE TO BH #3
NS	LA-140121	1	3/16 R1 GREASE HOSE 26" 1/8 MPT X 1/8 MPT	MSTR ROD TO BH #4
NS	LA-138962	1	3/16 R1 GREASE HOSE 61" 1/8 MPT X 1/8 MPT	MAIN PVT TO BH #5
BRAKES				
NS	LA-130371	1	#4 TITE FLEX #4 FORS X #4 MORS	BRAKE HOSE RIGHT
NS	LA-130371	1	#4 TITE FLEX #4 FORS X #4 MORS	BRAKE HOSE LEFT
NS	HA-133131	2	TEFLON O-RING	FOR ABOVE TWO BRAKE HOSES
MANIFOLD TO LEFT LEV CYL				
NS	LA-139521	1	1/2 100R2 HOSE 186" #8 FORS X #8 FORS	LEVELING VALVE PORT A & B TO LEFT MAIN LEV CYL
NS	LA-140131	1	1/2 100R2 HOSE 241" #8 FORS X #8 FORS	LEVELING VALVE PORT A & B TO RIGHT MAIN LEV CYL
MANIFOLD TO PUMP				
NS	LA-134821	1	1/4 100R2 HOSE 167" #4 FORS X #4 FORS 90	LOAD SENSE LINE
NS	LA-134831	1	3/4 100R2 HOSE 167" #10 FORS X #10 FORS	PRESSURE FROM PUMP TO MANIFOLD
NS	LA-134841	1	3/4 100R1 HOSE 39-1/2" #10 FORS X #12 FORS 90°	RETURN LINE
PUMP				
NS	LA-134861	1	1 100R1 HOSE 66-1/2" #16 FORS X #16 FORS	PUMP SUCTION
NS	LA-134871	1	3/8 100R2 HOSE 65-1/2" #6 FORS X #6 FORS 90°	PUMP CASE DRAIN TO RESEVOIR
HYDROSTAT				
NS	LA-140381	1	1 100R15 68" CODE 62 SLT FLNG 180° X CODE 62 SPLT FLNG STR	HYDROSTAT FRONT
NS	LA-140391	1	1 100R15 58" CODE 62 SLT FLNG 180° X CODE 62 SPLT FLNG STR	HYDROSTAT REAR
NS	LA-143851	1	3/4 100R1 HOSE 58-1/2" #12 MORS X #12 FORS 45°	HYDRO MOTOR CASE DRAIN
TRIM HOSES				
NS	LA-143861	2	1/4" 100R2 147" #4 FORS X #4 FORS	TRIM VALVE TO RELIEF VALVE
NS	LA-139141	2	1/4" 100R2 110-1/2" #4 FORS X #4 FORS	RELIEF VALVE TO MASTER
NS	LA-139531	1	1/4" 100R2 295" #4 FORS X #6 FORS	RELIEF TO SLAVE BASE
NS	LA-139541	1	1/4" 100R2 309" #4 FORS X #6 FORS	RELIEF TO SLAVE ROD
OPTIONAL-FOR COMBINES WITH CONTOUR MASTER				
NS	HA-E-4MF	1	#4 MORS PLUG	
NS	HA-E-6MF	1	#6 MORS PLUG	
NS	LM-254781	1	LM FLAT, CM BAR	

Model 2970 Hillco Leveling System
For Serial Numbers 2970-0043 thru 2970-0050

HYDRAULIC ADAPTERS

REF.	PART NO.	QTY.	PART NAME	WHERE USED
MAIN CYLINDERS				
NS	HA-L-4MF6MO	2	#4 MORS X #6 MORB 90°	
NS	HA-L-8FF8MF	2	#8 FORS X #8 MORS 90°	POCV #2 LEFT AND RIGHT
NS	HA-L-8MO8MO	2	#8 MORB X #8 MORB 90°	L & R POCV #1
NS	HA-T-8MO8MO	2	#8 MORB X #8 MORS STR THREAD RUN TEE	L & R POCV #2
NS	HA-Q-8MF8MO	2	#8 MORB X #8 MORS STR THREAD BRANCH TEE	L & R MAIN CYL ROD
NS	HA-L-6MF6MO	2	#6 MORB X #6 MORS 90°	L & R POCV #3
NS	HA-S-8FF6MF	2	#8 FORS X #6 MORS REDUCER	L & R POCV #2
MASTER AND SLAVE CYLINDER				
NS	HA-L-4MF6MO	2	#4 MORS X #6 MORB 90°	MASTER CYL ROD AND BASE PORTS
NS	HA-L-6MF6MO	2	#6 MORS X #6 MORB 90°	SLAVE CYL ROD AND BASE PORTS
PUMP ADAPTERS				
NS	HA-S-12MO16MF	1	#12 MORB X #16 MORS STR	PUMP SUCTION
NS	HA-T-16MF16MO	1	#16 MORB X #16 MORS STR THREAD RUN TEE	PUMP SUCTION AT RESEVOIR
NS	HA-L-16FF16MF	1	#16 MORS X #16 FORS 90°	PUMP SUCTION AT RESEVOIR
NS	HA-S-10MF10MO	1	#10 MORB X #10 MORS STR	PUMP PRESSURE
NS	HA-T-6MF6MO	1	#6 MORB X #6 MORS STR THREAD RUN TEE	CASE DRAIN AT RESEVOIR
NS	HA-C-6FF	1	#6 FORS CAP	CASE DRAIN AT RESEVOIR
NS	HA-L-4MF4MO	1	#4 MORB X #4 MORS 90°	PUMP LOAD SENSE
NS	HA-S-6MF6MO	1	#6 MORB X #6 MORS STR	PUMP CASE DRAIN
MANIFOLD ADAPTERS				
NS	HA-S-10MF12MO	2	#12 MORB X #10 MORS STR	"P" & "T" PORTS
NS	HA-L-10FF10MF	1	#10 FORS X #10 MORS 90°	"P" & "T" PORTS
NS	HA-S-4MF4MO	1	#4 MORB X #4 MORS STR	LOAD SENSE SHUTTLE
NS	HA-T-4MF4MO	1	#4 MORB X #4 MORS STR THREAD RUN TEE	LOAD SENSE SHUTTLE
NS	HA-A-12MO	1	#12 MORB ALLEN HEAD PLUG	"T" PORT
NS	HA-L-8MF8MO	2	#8 MORB X #8 MORS 90°	"A" & "B" LEVELING PORTS
NS	HA-S-4MF8MO	2	#8 MORB X #4 MORS STR	TRIM "A" & "B" PORTS
NS	HA-L-4FF4MF	2	#4 FORS X #4 MORS 90°	TRIM "A" & "B" PORTS
NS	HA-S-4FP12MO	1	#10 MORB X #4 FNPT STR	PRESSURE GAUGE
NS	HA-S-10FO12MO	1	#10 FORB X #12 MORB STR	PRESSURE GAUGE
NS	HA-M-12MF12FF	1	#12 ORS SWIVEL NUT RUN TEE	RETURN LINE
NS	HC-139901	2	#4 ORS-TF NUT	STEEL LOAD SENSE LINE
NS	HC-139911	2	#4 ORS-TF FERRULE	STEEL LOAD SENSE LINE
NS	HC-139921	2	#4 ORS-TF SLEEVE	STEEL LOAD SENSE LINE
HEADER LIFT CYLINDERS				
NS	HA-L-8FF8MF	1	#8 FORS X #8 MORS 90°	HEADER LIFT CYL HOSE BULKHEAD
HEADER TRIM				
NS	HA-Y-4MF4MF	1	#4 MORS UNION TEE	UNION OF SLAVE, MASTER AND VALVE HOSES ABOVE FAN
GREASE FITTINGS				
NS	HA-S-2FP2MN	5	1/8" NPSM X 1/8" FPT BULKHEAD CONNECTOR	GREASE BULKHEAD MOUNT
NS	HA-NJ-2FN	5	1/8" NPSM BULKHEAD LOCKNUT	BULKHEAD CONNECTOR
NS	HC-138011	5	1/4-28 STRAIGHT ZERK	ALL GREASE LINES
NS	HA-L-2FP2MP	1	1/8 MPT 90 STREET EL	MAIN PIVOT PIN
NS	HC-135771	3	1/4-28 MALE X 1/8 FPT 90°	MASTER AND MAIN LEV CYL BASE
NS	HC-135881	1	1/4-28 MALE X 1/8 FPT STR	MASTER ROD
OVER-HUNG LOAD ADAPTERS				
NS	HC-143231	1	1/8" PIPE X 3" NIPPLE (304 STAINLESS)	OHLA BREATHER PORT
NS	HC-143241	1	1/8" FPIPE MERCHANT COUPLER (304 STAINLESS)	OHLA BREATHER PORT
NS	HC-143251	1	METAL FILTER BREATHER, 10 MICRON	BREATHER, OIL

Model 2970 Hillco Leveling System
For Serial Numbers 2970-0043 thru 2970-0050

9 MISCELLANEOUS

DOCUMENTS AND LABELS				
REF.	PART NO.	QTY.	PART NAME	NOTES
NS	LL-142091	2	DECALS, JD HILLSIDE LEV SYSTEM	
NS	LL20-100784	2	DANGER PINCH POINT	RH & LH UPPER TRANS FACE PLT
NS	LL20-100786	1	WARNING ELECTRONIC CRUSHING HAZARD	FRONT OF CONTROL BOX
NS	LL20-100786	1	WARNING ELECTRONIC CRUSHING HAZARD	EM, ASM CONTROLLER
NS	LL20-100783	6	DANGER, CRUSHING HAZARD	2-DROP AXLE END PLATES, 4-RT & LT UC FRONT AND BACK
NS	LL-133741	2	LABEL, GREASE 50 HRS	OC BULKHEAD
NS	LL-133741	1	LABEL, GREASE 50 HRS	RH TRANS SIDE PLT (FOR SLAVE CYL)
NS	LL-133741	2	LABEL, GREASE 50 HRS	MAIN LEV CYL BOTTOM (RH & LH)
NS	LL-143671	1	RWA WARNING LABEL	
NS	LA-256001	1	TAG, SERIAL NUMBER	
NS	D-010823DJC01	1	MANUAL, OPERATORS	
NS	D-010725CLA01	1	MANUAL, INSTALLATION	
NS	D-060601ADL01A		MANUAL, PARTS	
NS	LA-251701	1	SAFETY LABEL PACKET	
NS	..	1	LL20-100782--CAUTION LEVELING SYSTEM CAB	WINDOW IN CAB
NS	..	1	LL20-100785--CAUTION MOVING STEP	LADDER
NS	..	2	LL20-100787--CAUTION LEVELING SYSTEM HAZARD	GULL WINGS
NS	..	3	LL20-100788--DANGER HYDRAULIC HAZARD	1 EA MAIN CYLINDER; 1 ABOVE MANIFOLD

Model 2970 Hillco Leveling System
For Serial Numbers 2970-0043 thru 2970-0050

10 PART NUMBER INDEX

PART NUMBER	PAGE NUMBER	PART NUMBER	PAGE NUMBER	PART NUMBER	PAGE NUMBER
D-010725CLA01	9-1	F-HC-16M250E	5-2	HA-L-10FF10MF	8-10
D-010823DJC01	9-1	F-HC-24M070E	4-2	HA-L-16FF16MF	8-10
D-060601ADL01A	9-1	F-HC-24M110E	4-2	HA-L-2FP2MP	8-10
EC-100164	7-4	F-HC5-04C12	7-2	HA-L-4FF4MF	8-10
EC-100165	7-4	F-HC8-07C44	8-2	HA-L-4MF4MO	8-10
EC-100557	7-2	F-HC8-08F20	2-4	HA-L-4MF6MO	8-10
EC-100692	7-2	F-HC8-12C240	3-4	HA-L-6MF6MO	8-10
EC-136621	7-4	F-HCF-05C08	8-4, 8-6	HA-L-8FF8MF	8-10
EC-136631	7-4	F-HCF-10M020E	2-6, 3-4	HA-L-8MF8MO	8-10
EC-136661	7-4	F-HCF-10M020F	2-6	HA-L-8MO8MO	8-10
EC-136701	7-4	F-HCF-10M025E	2-6	HA-M-12MF12FF	8-10
EC-136711	7-4	F-HCF-10M030E	8-8	HA-NJ-2FN	8-10
EC-138781	7-2, 7-8	F-HCF-10M040F	3-4	HA-Q-8MF8MO	8-10
EC-139631	7-4	F-HCF-12M025F	3-4	HA-S-10FO12MO	8-10
EC-139641	7-4	F-HCF-12M040E	2-6	HA-S-10MF10MO	8-10
EC-140841	7-4	F-HCF-12M080E	2-6	HA-S-10MF12MO	8-10
EC-140851	7-4	F-HCF-16M040E	2-6	HA-S-12MO16MF	8-10
EC-140861	7-4	F-HCF-16M080E	3-4	HA-S-2FP2MN	8-10
EC-141741	7-4	F-HCF-16M090F	4-2	HA-S-4FP12MO	8-10
EC-141751	7-4	F-HCF-8M020F	8-4, 8-6	HA-S-4MF4MO	8-10
EC-141761	7-4	F-HN-#10C	7-2	HA-S-4MF8MO	8-10
EC-141771	7-4, 7-8	F-HN8-07C	8-2	HA-S-6MF6MO	8-10
EC-141781	7-4	F-HNF-#10C	7-2	HA-S-8FF6MF	8-10
EC-141791	7-4	F-HNF-#6C	7-2, 8-4, 8-6	HA-T-16MF16MO	8-10
EC-141801	7-4	F-HNF-04C	2-6, 7-2	HA-T-4MF4MO	8-10
EC-141831	7-2	F-HNF-06MF	2-6	HA-T-6MF6MO	8-10
EC-142121	7-2, 7-8	F-HNF-08MF	3-2, 3-4, 6-2, 8-4, 8-6	HA-T-8MO8MO	8-10
EC-143191	7-8	F-HNF-10ME	2-6, 8-8	HA-Y-4MF4MF	8-10
EC-143211	7-4	F-HNF-10MF	2-6, 3-4	HC-100706	2-2, 8-2
EC-143221	7-4	F-HNF-12ME	8-8	HC-101021	8-4
EC-143281	7-4	F-HNF-12MF	2-6	HC-101022	8-4
EC-143291	7-4	F-HNJ-05C	6-2	HC-101034	8-4, 8-6
EC-143301	7-4	F-HNJ-12MF	2-6	HC-101264	8-4
EC-143311	7-4	F-HNN-05F	3-2	HC-101842	3-2, 8-2
EC-143321	7-4	F-HNS-12C	3-4	HC-101843	8-2
EC-143331	7-4	F-HNS-12ME	4-2, 6-2	HC-102082	8-4
EC-143421	7-4	F-HNS-16ME	2-6, 3-4, 5-2	HC-103099	8-8
F-CB-10M030F	2-6	F-HNS-24ME	4-2	HC-103227	3-2, 8-2
F-CB-12M040F	2-6	F-HNSF-12ME	2-6	HC-133151	8-8
F-EB-04C20	2-6	F-HNSF-16ME	4-2, 5-2	HC-134191	2-2, 8-2
F-FHS-8M015E	2-6	F-LW-#10	8-4, 8-6	HC-134201	8-2
F-FWF-06020	3-4	F-LW-04	7-2	HC-134251	8-2
F-FWH-08	2-6	F-LW-05	6-2	HC-134911	8-2
F-FWHD-10	3-4	F-LW-08A	2-4	HC-135231	8-8
F-HC-06M020F	2-6	F-MB-14NR40	2-6	HC-135241	8-8
F-HC-08M025F	6-2	F-MB-18NR24	4-2	HC-135251	8-8
F-HC-08M035F	6-2	F-PHM-#10C16	7-2	HC-135771	8-10
F-HC-08M060F	3-4	F-PHM-#10C28	7-2	HC-135881	8-10
F-HC-08M090F	3-2	F-PHM-#6C06	7-2	HC-137061	8-8
F-HC-08M100F	3-2	F-PHM-#6C08	7-2, 8-4, 8-6	HC-137891	8-2
F-HC-10M025F	3-4	F-PHM-04C24	7-2	HC-137901	8-2
F-HC-10M040E	8-8	F-PHM-04C36	7-2	HC-138011	8-10
F-HC-10M110E	8-8	F-PSL-04X48	3-4	HC-139151	3-2, 8-2
F-HC-12M030E	8-8	F-SHC-#10C52	8-4, 8-6	HC-139161	8-2
F-HC-12M030F	6-2	F-SHC-10M070F	2-6	HC-139181	8-2
F-HC-12M040E	4-2	F-SSS-04F04	8-2	HC-139871	8-4, 8-6
F-HC-12M050F	6-2	F-SSS-06C08	2-4	HC-139901	8-10
F-HC-12M065F	6-2	F-UDS-#7X06	3-4	HC-139911	8-10
F-HC-12M080E	4-2	HA-133131	8-9	HC-139921	8-10
F-HC-16M050E	2-6, 5-2	HA-A-12MO	8-10	HC-140291	8-4, 8-6
F-HC-16M110E	3-4	HA-C-6FF	8-10	HC-140361	8-2
F-HC-16M120E	2-6	HA-E-4MF	8-9	HC-140411	8-4, 8-6
F-HC-16M190E	5-2	HA-E-6MF	8-9	HC-141531	8-8

Model 2970 Hillco Leveling System
 For Serial Numbers 2970-0043 thru 2970-0050

PART NUMBER INDEX (CONTINUED)

PART NUMBER	PAGE NUMBER		PART NUMBER	PAGE NUMBER		PART NUMBER	PAGE NUMBER
HC-142051	3-2		LA-238821	8-8		LM-254781	2-2, 8-9
HC-142061	3-2		LA-243121	2-2		LM-255331	7-2
HC-142731	8-4, 8-6		LA-249611	2-2		LM-255341	7-2
HC-142971	8-4, 8-6		LA-251701	9-1		LM-255531	3-2
HC-142981	8-4, 8-6		LA-252462	7-6		LM-260041	2-2
HC-142991	8-4, 8-6		LA-252482	7-6		LM-260121	3-2
HC-143001	8-4, 8-6		LA-255361	4-2		LM-260131	3-2
HC-143011	8-4, 8-6		LA-255621	7-2, 7-6		LM-260141	3-2
HC-143041	8-4		LA-255631	7-6		LM-260151	3-2
HC-143061	8-4, 8-6		LA-255642	7-6		LM-260181	7-8
HC-143071	8-6		LA-255721	7-6		LM-260191	7-8
HC-143081	8-6		LA-255731	7-6		LM-260211	8-4, 8-6
HC-143091	8-6		LA-256001	3-2, 9-1		LM-260871	8-6
HC-143231	8-8, 8-10		LA-259301	7-2		LM-261181	8-4
HC-143241	8-8, 8-10		LA-259311	7-2		LM-261851	7-8
HC-143251	8-8, 8-10		LA-259551	8-8		LM-261861	3-2
HC-143731	8-4, 8-6		LA-260051	2-2		LP-103871	3-2
HC-143741	8-4, 8-6		LA-260201	7-8		LP-228881	2-2
LA-130371	8-9		LA-260221	7-6		LP-230241	3-2
LA-134821	8-9		LA-260231	7-6		LP-232162	2-2
LA-134831	8-9		LA-260241	7-6		LP-234653	7-2
LA-134841	8-9		LA-260251	7-6		LP-235092	5-2
LA-134861	8-9		LA-260271	7-6		LP-249321	3-2
LA-134871	8-9		LA-260291	7-6		LP-249871	2-2
LA-138962	8-9		LA-260401	8-8		LP-250041	8-4, 8-6
LA-139141	8-9		LA-261141	7-6		LP-255131	2-2
LA-139521	8-9		LA-261151	7-6		LP-261031	8-4, 8-6
LA-139531	8-9		LA-261161	7-6		LS-212701	2-2
LA-139541	8-9		LA-261171	7-6		LS-235291	8-8
LA-140071	8-9		LA-261191	7-2, 7-6		LS-244471	2-2, 2-4
LA-140081	8-9		LA-261691	7-6		LTP-241721	2-2
LA-140091	8-9		LL-133741	9-1		MC-100237	2-2
LA-140101	8-9		LL-142091	9-1		MC-100546	2-2
LA-140111	8-9		LL-143671	7-8, 9-1		MC-100548	2-2
LA-140121	8-9		LL20-100782	9-1		MC-101339	2-2
LA-140131	8-9		LL20-100783	9-1		MC-134261	3-2
LA-140381	8-9		LL20-100784	9-1		MC-134271	3-2
LA-140391	8-9		LL20-100786	9-1		MC-134281	3-2
LA-143851	8-9		LL20-100787	9-1		MC-134291	3-2
LA-143861	8-9		LL20-100788	9-1		MC-134301	3-2
LA-228702	4-2		LM-226532	2-2, 2-4		MC-134311	3-2
LA-228762	4-2		LM-226841	2-2		MC-134321	8-8
LA-228893	2-2		LM-228442	2-2		MC-134342	8-8
LA-229022	2-2		LM-229142	2-2		MC-134351	8-8
LA-229051	2-2		LM-229152	2-2		MC-134502	8-8
LA-229071	2-2, 3-2		LM-229161	2-2		MC-134921	6-2
LA-229252	3-2		LM-229171	2-2		MC-134931	6-2
LA-230551	3-2		LM-229192	2-2		MC-134941	6-2
LA-234923	3-2		LM-234101	4-2		MC-135491	2-2
LA-234931	4-2		LM-234653	3-2		MC-135501	2-2
LA-234943	3-2		LM-235281	8-8		MC-135511	2-2
LA-234952	2-2		LM-236053	6-2		MC-135531	2-2
LA-234964	3-2		LM-236232	2-2		MC-136921	2-2, 2-4
LA-234971	5-2		LM-236611	8-8		MC-137521	3-2
LA-235261	8-8		LM-236632	6-2		MC-137531	3-2
LA-235271	8-8		LM-237751	2-2		MC-139241	2-2
LA-235711	3-2		LM-237761	2-2		MC-139341	2-2
LA-235891	2-2		LM-238341	2-2		MC-139351	2-2
LA-236542	6-2		LM-241271	6-2		MC-139361	2-2
LA-236552	6-2		LM-245431	4-2		MC-139371	2-2
LA-236563	6-2		LM-248781	3-2		MC-140371	8-8
LA-238761	6-2		LM-249701	8-4		MC-142001	2-2
LA-238791	8-8		LM-249861	2-2		MC-142921	3-2