

**Model 2970**  
**Hillside Leveling System**  
**Parts Manual**

SN 2970-0029 thru 2970-0042

D-050707ADL01C







**2970 Hillside Leveling System**  
for 9650 STS, 9660 STS, 9760 STS, 9860 STS  
AND 9750 STS John Deere Combines

**TABLE OF CONTENTS**

<b>1 GENERAL INFORMATION</b> .....	<b>1-3</b>
Serial Number Location .....	1-3
Text Format and Illustrations .....	1-3
Abbreviations.....	1-3
Right and Left Identification .....	1-3
Parts Orders .....	1-3
<b>2 TRANSITION</b> .....	<b>2-1</b>
Radial Pin Slip Clutch .....	2-3
Transition Fasteners.....	2-5
<b>3 CARRIAGE</b> .....	<b>3-1</b>
Carriage Fasteners.....	3-3
<b>4 Y-BRACE</b> .....	<b>4-1</b>
<b>5 DROP AXLE</b> .....	<b>5-1</b>
<b>6 LADDER</b> .....	<b>6-1</b>
<b>7 ELECTRICAL COMPONENTS AND CONNECTORS</b> .....	<b>7-1</b>
Electrical Cables.....	7-3
<b>8 HYDRAULICS</b> .....	<b>8-1</b>
Hydraulic Manifold .....	8-3
Hydraulic Pump .....	8-5
Header Tilt Valve .....	8-7
Hydraulic Hoses .....	8-9
Hydraulic Adapters .....	8-10
<b>9 MISCELLANEOUS</b> .....	<b>9-1</b>
<b>10 PART NUMBER INDEX</b> .....	<b>10-1</b>
Part Number Index (Continued).....	10-2

Model 2970 Hillco Leveling System  
For Serial Numbers 2970-0029 thru 2970-0042

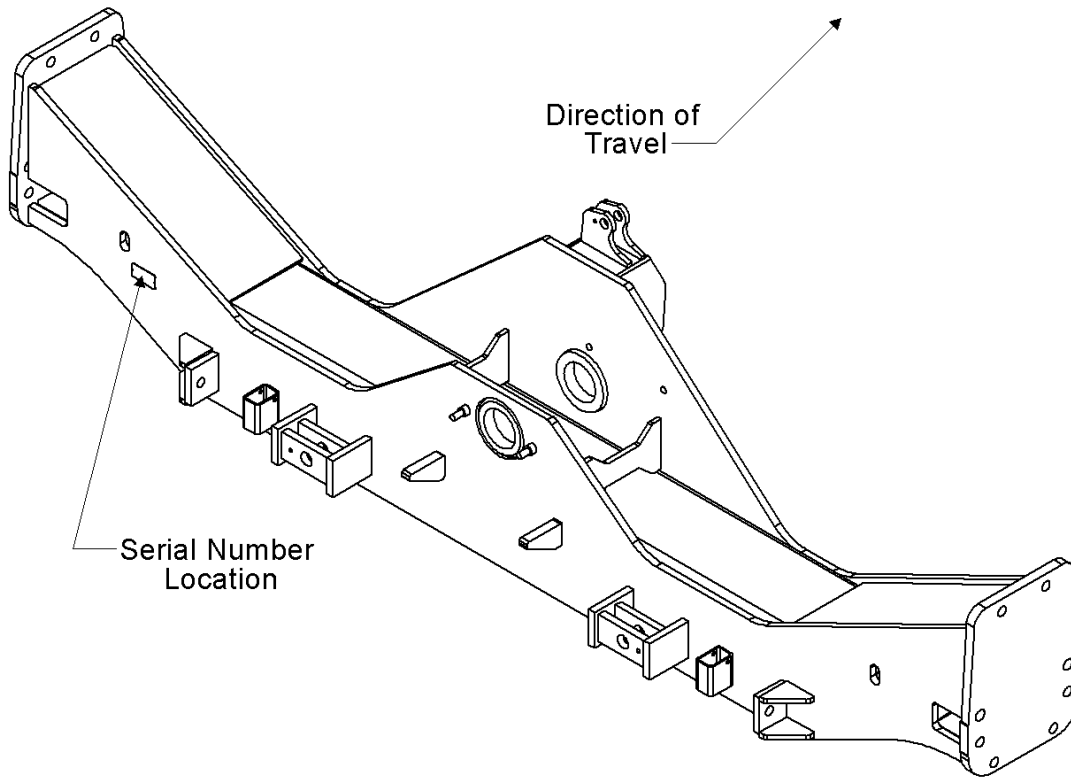
Hillco Technologies, Inc.  
107 1<sup>st</sup> Avenue  
Nezperce Id. 83543

Fax	208.937.2280
Phone	208.937.2461
Toll Free	800.937.2461

[www.hillcotechnologies.com](http://www.hillcotechnologies.com)

## 1 GENERAL INFORMATION

### SERIAL NUMBER LOCATION



### TEXT FORMAT AND ILLUSTRATIONS

The arrangement of this parts catalog is for easy identification of parts. All parts are illustrated in exploded views in proper relation to each other. Some diagrams refer to other pages for further information. Reference numbers used in the illustrations refer to line numbers in the part lists. The part lists appear to the right of all diagrams and correspond with those diagrams. Included in the part lists, along with the reference numbers are part numbers, part descriptions and the quantity of the part required per leveling system.

### ABBREVIATIONS

- SN** "Serial Number" The four digits shown in the SN column refer to the last four digits in the Hillco serial number. Each Model 2970 system uses the following format:  
2970-XXXX (sequential numbers).
- ASM** "Assembly" refers to a whole grouping of parts (usually shown in the diagram corresponding with the page where "ASM" is shown).
- NS** "Not Shown" refers to a part that is not depicted in the illustration.

### RIGHT AND LEFT IDENTIFICATION

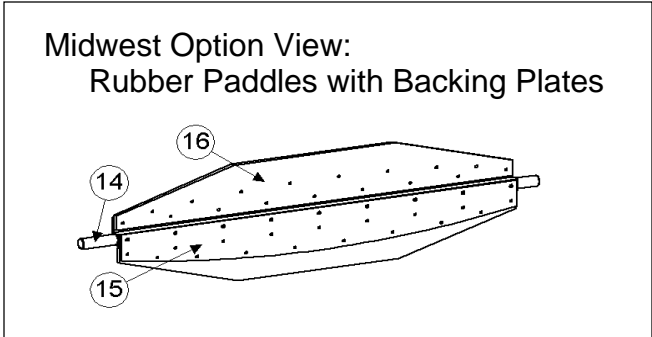
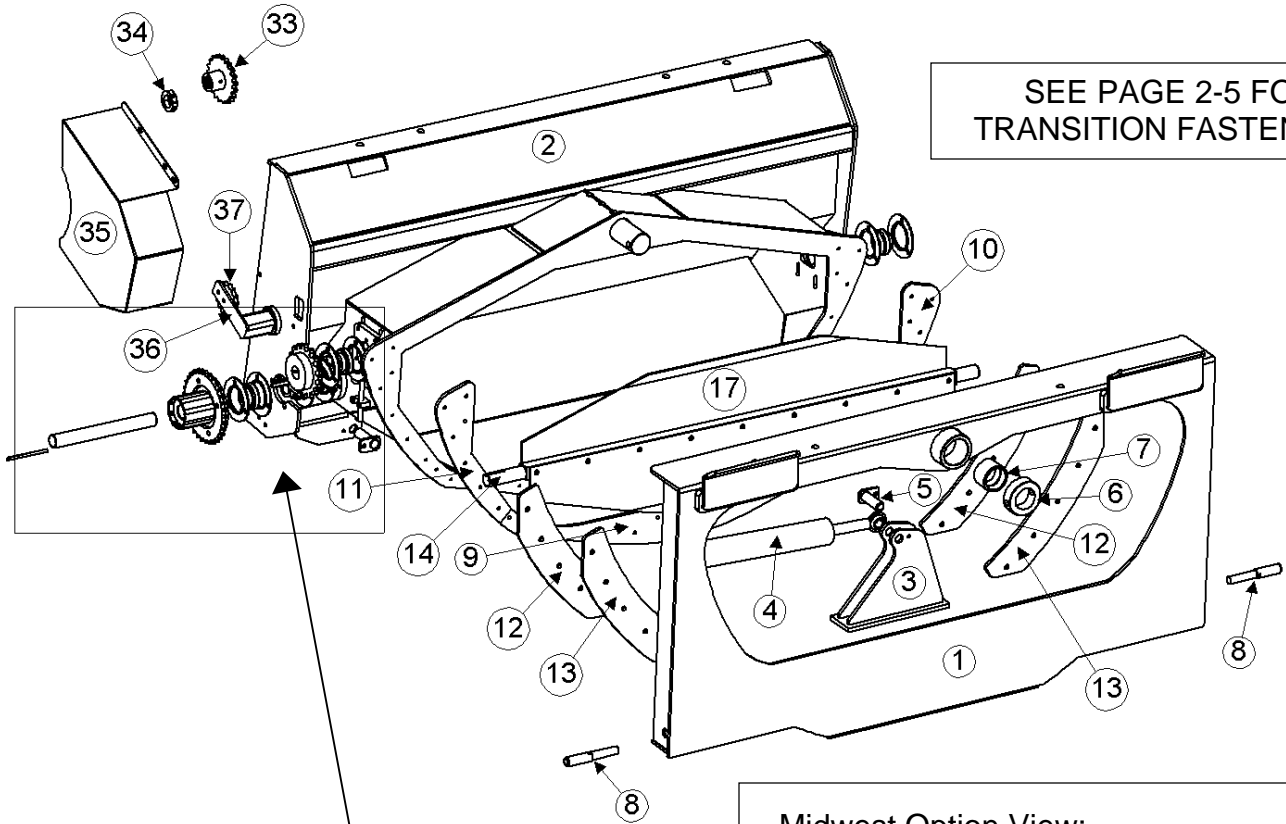
The reference to right-hand and left-hand in this catalog is identified by the operator standing at the rear of the machine looking toward the front of the machine (in normal forward travel).

### PARTS ORDERS

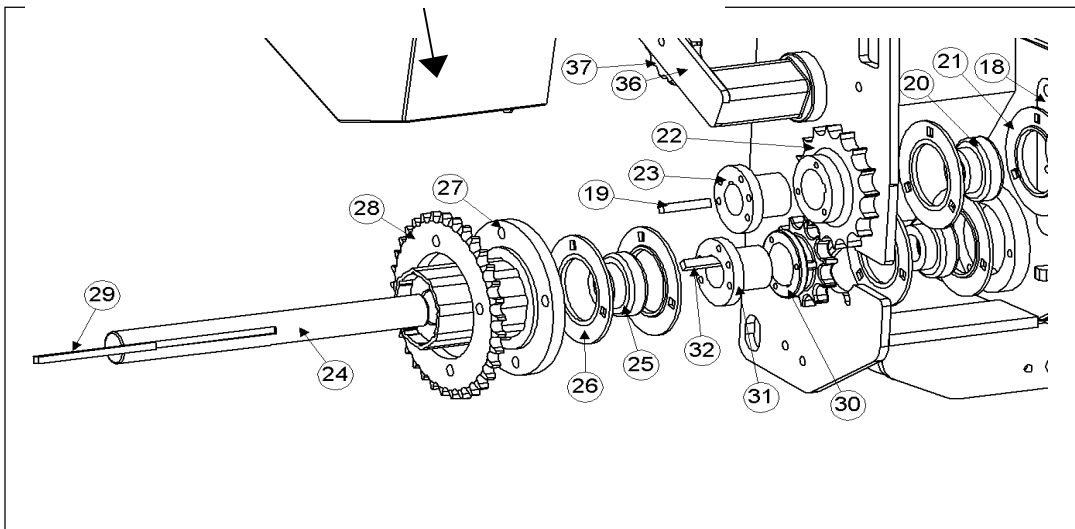
Orders must specify product model, serial number, correct part number, complete description, quantity required, method of shipment, shipping address, and billing address.

## 2 TRANSITION

SEE PAGE 2-5 FOR  
TRANSITION FASTENERS



### TRANSITION DRIVE COMPONENT DETAIL

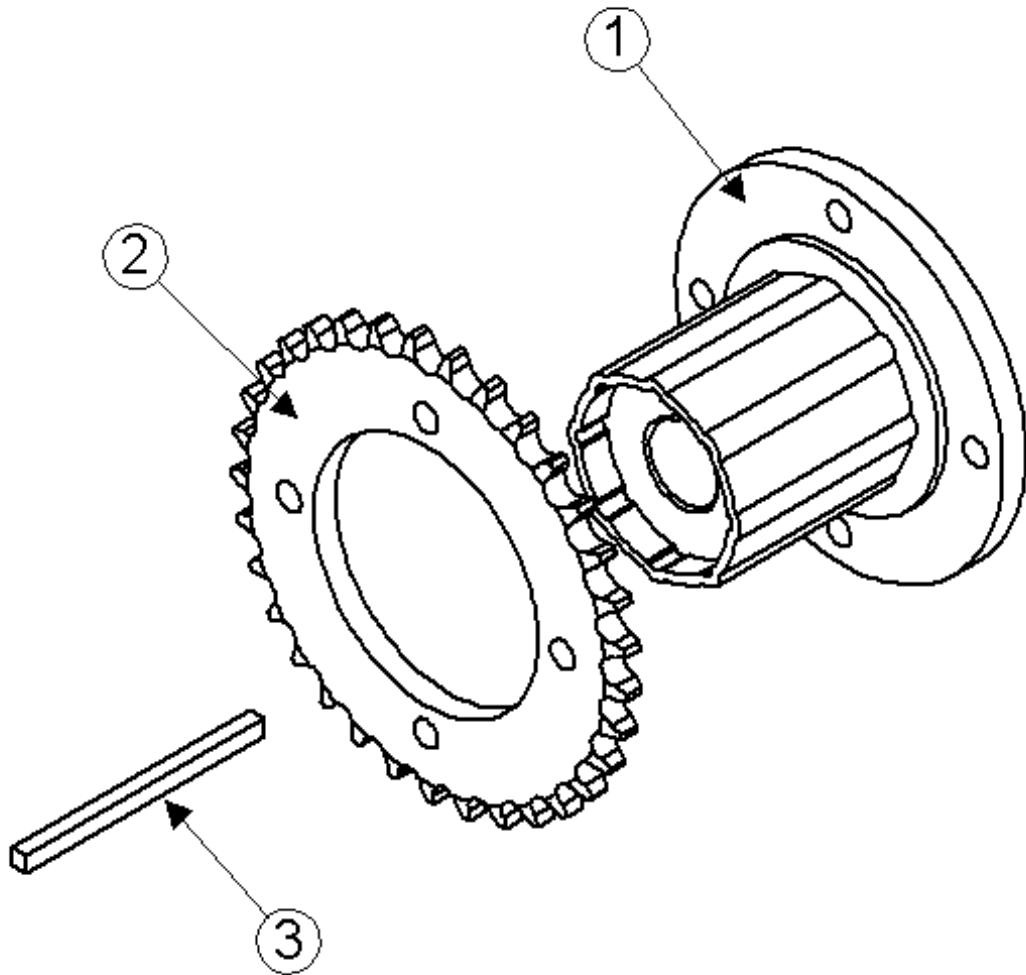


Model 2970 Hillco Leveling System  
For Serial Numbers 2970-0029 thru 2970-0042

<b>TRANSITION COMPONENTS</b>				
<b>REF.</b>	<b>PART NO.</b>	<b>QTY.</b>	<b>PART NAME</b>	<b>DESCRIPTION</b>
1	LA-228893	1	TA ADAPTER ASM	
2	LA-234952	1	TT THROAT ASM	
3	LA-229022	1	TM MOUNT ASM, ROD	
4	HC-100706	1	CYLINDER, SLAVE, 2-1/2 X 12-1/2	SEE HYDRAULICS PAGE 8-1
NS	HC-134191	1	SEAL KIT, SLAVE CYLINDER	
5	LA-229071	2	TM PIN ASM, TRIM CYLINDER	
6	LM-226841	1	TM COLLAR, PIVOT	
7	LTP-241721	1	BUSHING, GRAPHITE	
8	LM-229192	2	TM ROD, LOCK	
NS	MC-135531	2	SPRING, COMPRESSION	
9	LM-229152	1	TM PLATE, WEAR BOTTOM	
10	LM-229161	1	TM PLATE, WEAR LH	
11	LM-229171	1	TM PLATE, WEAR RH	
12	LM-249861	2	TM PLT, BACKING	
13	LP-249871	2	TM UHMW, BACKING	
<b>BEATER SHAFT</b>				
14	LA-249611	1	TB ASM, SHAFT	
15	LM-228442	2	TB PLATE, PADDLE BACKING	MIDWEST COMBINES ONLY
16	LP-228881	2	TB PADDLE, RUBBER	MIDWEST COMBINES ONLY
17	LM-238341	2	TB PADDLE, METAL	NORTHWEST COMBINES ONLY
18	LA-229051	2	TM MOUNT ASM, BEATER	
19	LS-212701	1	TM KEY, BEATER DRIVE, 3/8 X 2	
20	MC-100548	1	BEARING INSERT, 1-7/16, NON-RELUBE	
21	MC-101339	2	FLANGETTES, RND BEARING	
22	MC-135501	1	SPROCKET, 16T 80P TAPER BORE HRD	
23	MC-135511	1	HUB, SPLIT TAPER 1-7/16	
NS	LP-232162	1	TM ROLLER CHAIN, 28 PIN 80P	JACK SHAFT TO BEATER SHAFT
NS	MC-139341	1	LINK, CONNECTING, 80P	
NS	MC-139351	1	LINK, OFFSET, 80P	
<b>TRANSITION THROAT JACK SHAFT</b>				
24	LM-229142	1	TM SHAFT, JACK	
25	MC-100548	2	BEARING INSERT, 1-7/16, NON-RELUBE	
26	MC-101339	2	FLANGETTES, RND BEARING	
27	LM-226532	1	TM RADIAL SLIP CLUTCH	
28	LM-226532	1	TM SPROCKET, PLATE, 33T 60P	
29	LS-244471	1	TM KEY, RADIAL PIN SLIP CLUTCH	
30	MC-135491	1	SPROCKET, 11T 80P TAPER BORE HRD	
31	MC-135511	1	HUB, SPLIT TAPER 1-7/16	
32	LS-212701	1	TM KEY, BEATER DRIVE, 3/8 X 2	
NS	LP-255131	1	TM CHAIN, 72 PIN 60P	DRIVE SPROCKET TO SLIP CLUTCH
NS	MC-139361	1	LINK, CONNECTING, 60P	
NS	MC-139371	1	LINK, OFFSET, 60P	
<b>FEEDER HOUSE BEATER DRIVE</b>				
33	LA-235891	1	TM DRIVE ASM TRAN., 21T 21SP/60P	
34	MC-142001	2	1PC COLLAR, SPLIT, 1-3/8 BORE	
35	LM-236232	1	TM SHIELD, DRIVE	
<b>TENSIONER</b>				
36	MC-100546	1	TENSIONER	
37	MC-100237	1	SPROCKET, IDLER, 15T 60P 5/8B	
NS	MC-139241	1	TENSIONER HARDWARE KIT	

Model 2970 Hillco Leveling System  
For Serial Numbers 2970-0029 thru 2970-0042

**RADIAL PIN SLIP CLUTCH**





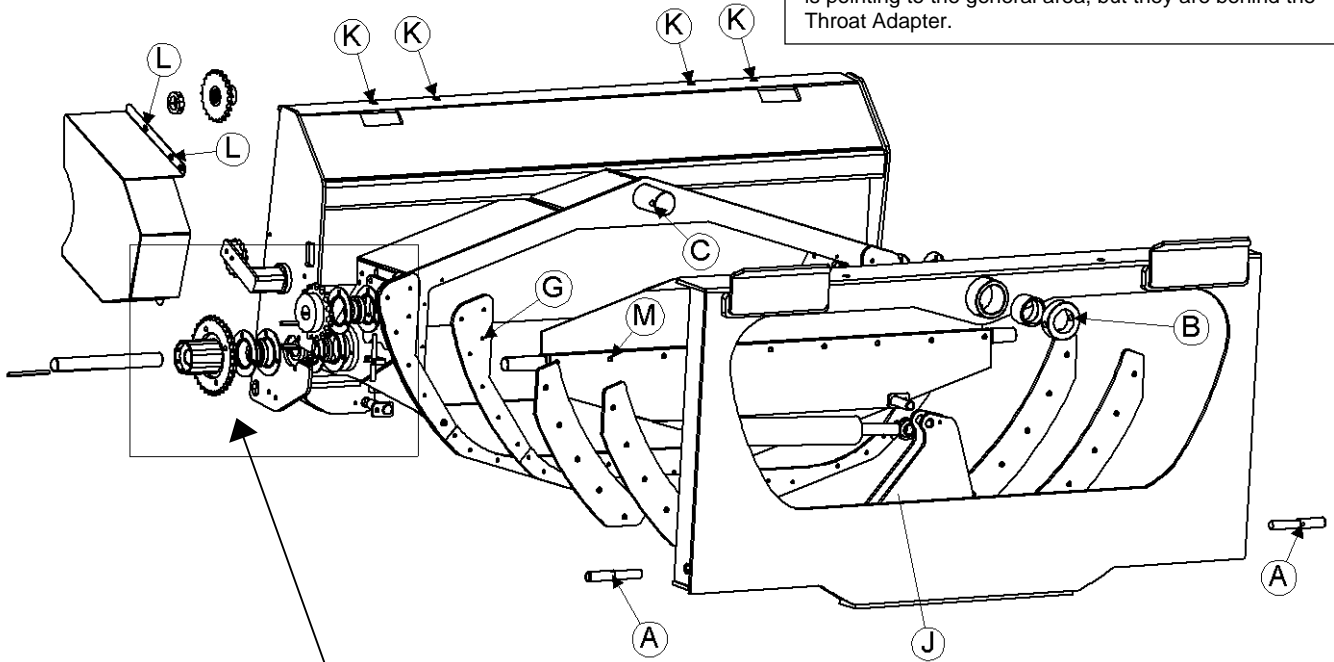
Model 2970 Hillco Leveling System  
For Serial Numbers 2970-0029 thru 2970-0042

<b>RADIAL PIN SLIP CLUTCH</b>				
<b>REF.</b>	<b>PART NO.</b>	<b>QTY.</b>	<b>PART NAME</b>	<b>DESCRIPTION</b>
1	MC-136921	1	RADIAL PIN SLIP CLUTCH	
2	LM-226532	1	TM SPROCKET, RADIAL SLIP CLUTCH	
3	LS-244471	2	TM KEY, RADIAL PIN SLIP CLUTCH	
NS	F-HC8-08F20	4	HC8 1/2-20 X 1-1/4	
NS	F-LW-08A	4	LW 1/2 HD	
NS	F-SSS-06C08	2	SCREW, SOCKET SET 3/8-16 X 2	

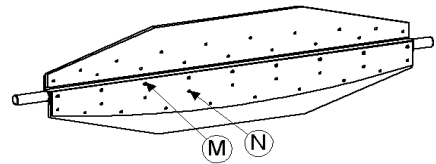
Model 2970 Hillco Leveling System  
For Serial Numbers 2970-0029 thru 2970-0042

### TRANSITION FASTENERS

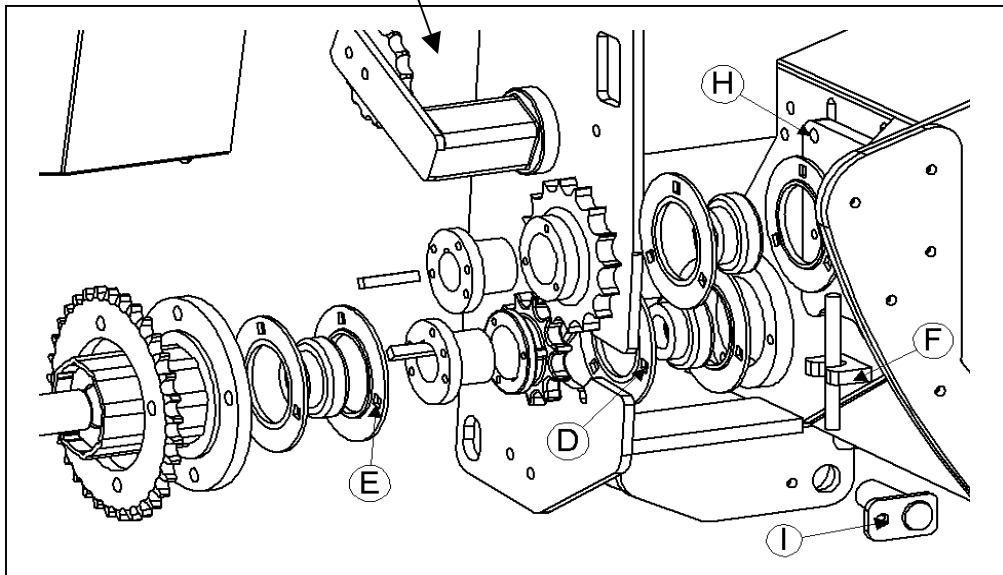
\*Note: The fasteners with reference number "J" attach to the base of the Rod Mount Assembly (LA-229022), however they cannot be shown in this view. The leader is pointing to the general area, but they are behind the Throat Adapter.



Midwest Option View:  
Rubber Paddles with Backing



### TRANSITION DRIVE COMPONENT FASTENERS DETAIL

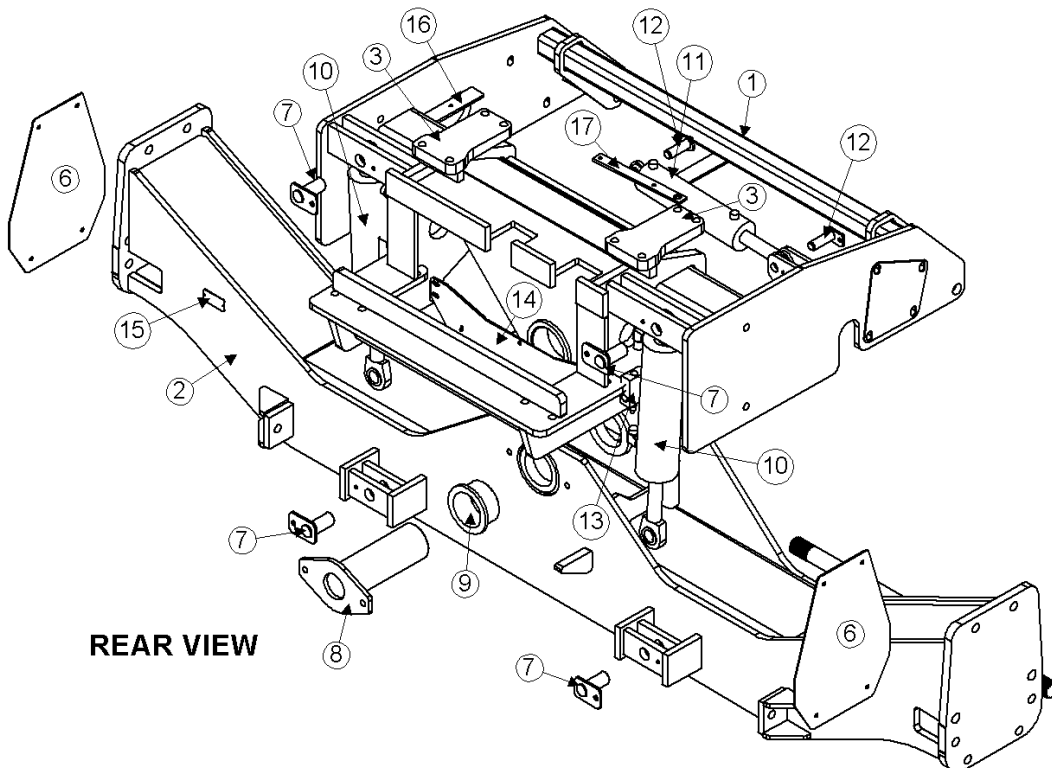
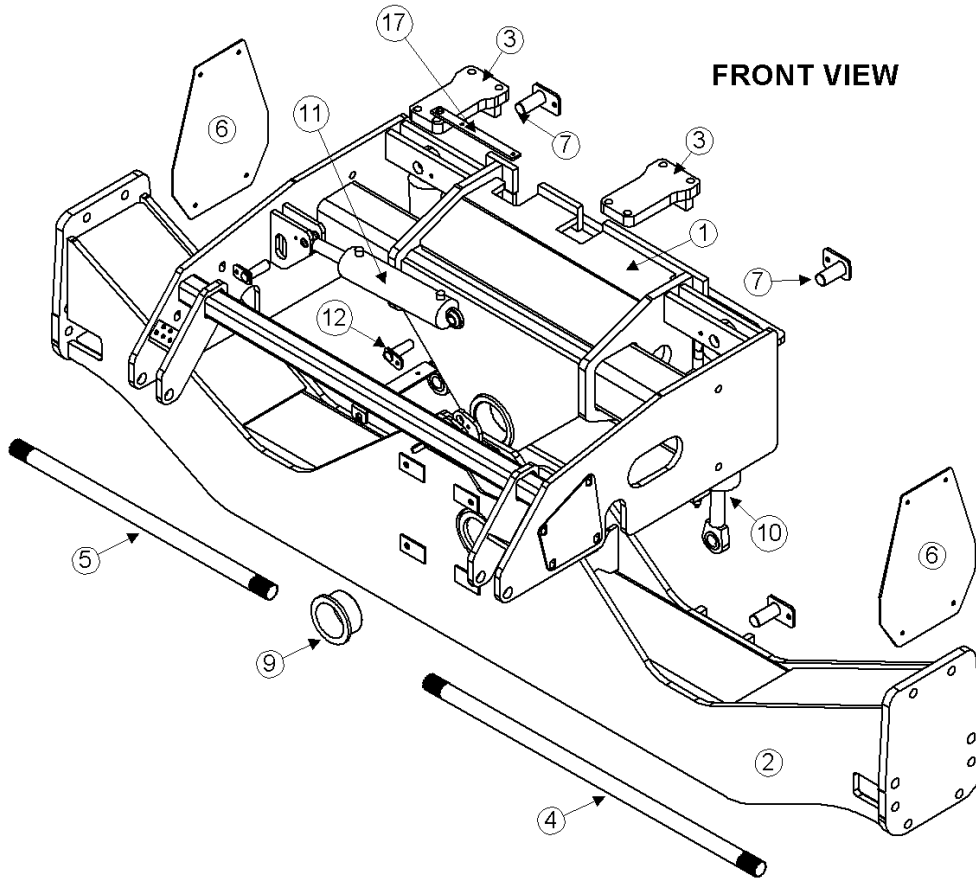


Model 2970 Hillco Leveling System  
For Serial Numbers 2970-0029 thru 2970-0042

<b>TRANSITION FASTENERS</b>				
<b>REF.</b>	<b>PART NO.</b>	<b>QTY.</b>	<b>PART NAME</b>	<b>DESCRIPTION</b>
A	F-SHC-10M070F	2	SHCS-8.8 M10 X 1.50 X 70 PLT	THA HEADER LOCK
B	F-HC-16M120E	1	HC-10.9 M16 X 2.00 X 120 PLT	MAIN PIVOT PIN COLLAR
B	F-HNS-16ME	1	HN-10.9 M16 X 2.00 STOVER PLT	MAIN PIVOT PIN COLLAR
C	F-MB-14NR40	3	MACH BUSH 14 GA NR 2-1/2 ID	MAIN PIVOT PIN
D	F-HCF-10M020E	3	FLHC-10.9 M10 X 1.50 X 20 PLT	INNER 3-BOLT JS BEARING
E	F-CB-10M030F	3	CARR-8.8 M10 X 1.50 X 30 PLT	OUTER 3-BOLT JS BEARING
E	F-HNF-10MF	3	FLHN-8.8 M10 X 1.50 PLT	OUTER 3-BOLT JS BEARING
F	F-AT8-12M	9+IN	ALL THREAD, B7 M12 X 1.75	BEATER BRNG TAKE-UP BLT
F	F-FWH-08	4	FW 1/2 HD YELLOW PLT	BEATER BRNG TAKE-UP BLT
F	F-HNJ-12MF	4	HN-8.8 M12 X 1.75 JAM PLT	BEATER BRNG TAKE-UP BLT
G	F-FHS-8M015E	29	FHSC-10.9 M8 X 1.25 X 15	UHMW WEAR PLATES
H	F-CB-12M040F	8	CARR-8.8 M12 X 1.75 X 40 PLT	TT BEATER BRNG MNT PLT
H	F-MB-14WR26	2	MACH BUSH 14 GA WR 1-5/8 ID	TT BEATER BRNG MNT PLT
H	F-HCF-10M020F	6	FLHC-8.8 M10 X 1.50 X 20 PLT	TT BEATER BRNG MNT PLT
H	F-HNF-12MF	8	FLHN-8.8 M12 X 1.75 PLT	TT BEATER BRNG MNT PLT
I	F-HCF-10M020F	2	FLHC-8.8 M10 X 1.50 X 20 PLT	SLAVE CYL MNT PIN
J	F-HC-16M050E	3	HC-10.9 M16 X 2.00 X 50 PLT	ROD MNT
J	F-HNS-16ME	3	HN-10.9 M16 X 2.00 STOVER PLT	ROD MNT
K	F-HCF-12M040E	4	FLHC-10.9 M12 X 1.75 X 40 PLT	TRANSITION MNT- FOR SN [9750 ( -688210); 9650 ( -686329)]
K	F-HCF-16M040E	4	FLHC-10.9 M16 X 2.00 X 40 PLT	TRANSITION MNT ALL 60 SERIES COMBINES; [9750 (688211- ); 9650 (688330- )]
L	F-HNF-10MF	2	FLHN-8.8 M10 X 1.50 PLT	TM DRIVE SHIELD
L	F-HCF-10M020F	2	FLHC-8.8 M10 X 1.50 X 20 PLT	TM DRIVE SHIELD
M	F-HNSF-12ME	9	FLHN-10.9 M12 X 1.75 STOVER PLT	STEEL BEATER PADDLES OR PADDLE BACKING PLATES
M	F-HCF-12M080E	9	FLHC-10.9 M12 X 1.75 X 80 PLT	STEEL BEATER PADDLES OR PADDLE BACKING PLATES
N	F-HCF-12M040E	10	FLHC-10.9 M12 X 1.75 X 40 PLT	BACKING PLATES
<b>FOR MIDWEST COMBINES</b>				
NS	F-EB-04C20	34	BOLT, ELEVATOR, 1/4-20 x 1-1/4 ZINC PLT	PB PADDLES
NS	F-HNF-04C	34	SERR. FLHN 1/4-20 ZINC PLT	PB PADDLES

Model 2970 Hillco Leveling System  
For Serial Numbers 2970-0029 thru 2970-0042

### 3 CARRIAGE

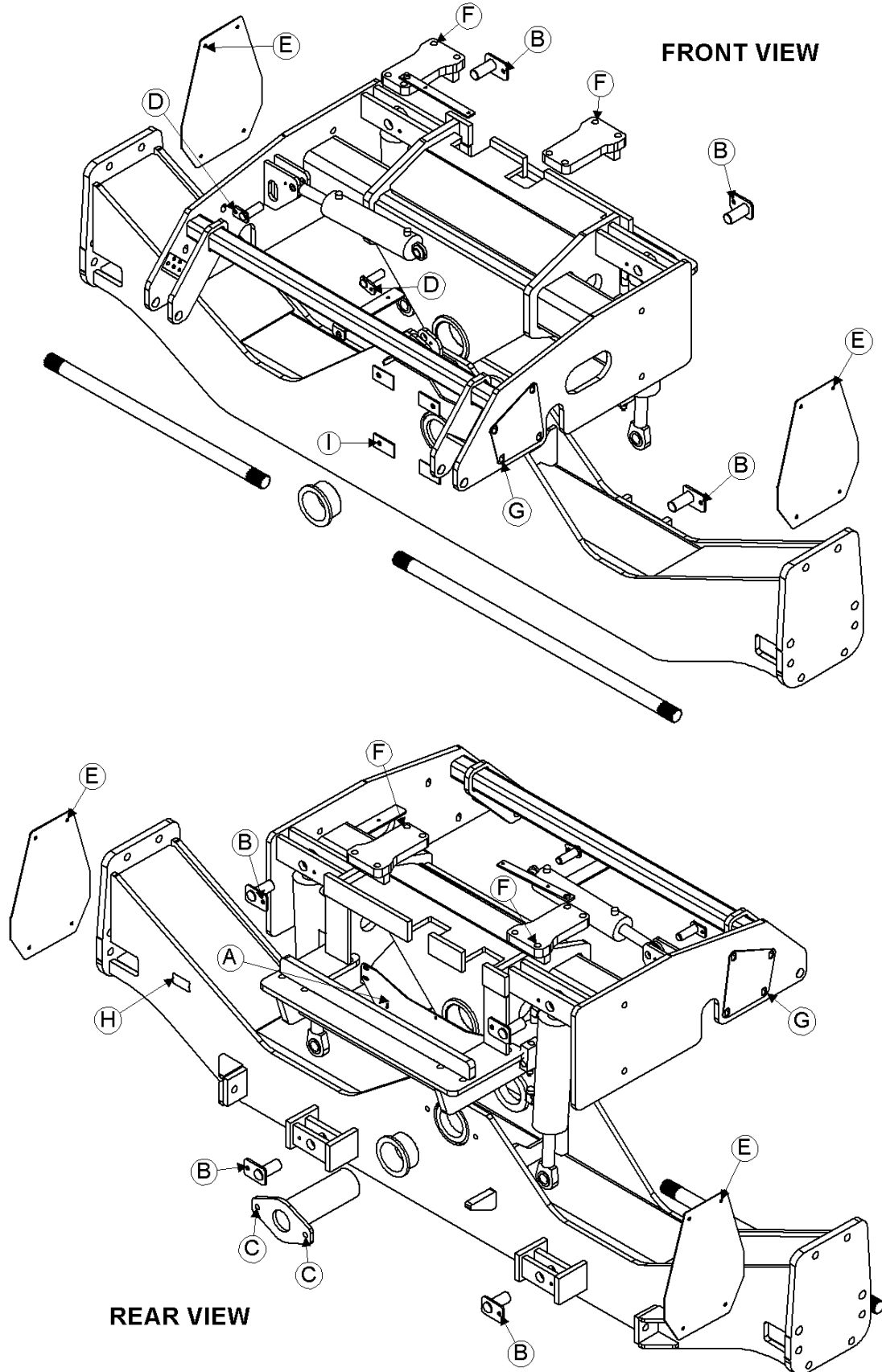


Model 2970 Hillco Leveling System  
For Serial Numbers 2970-0029 thru 2970-0042

<b>CARRIAGE COMPONENTS</b>				
<b>REF.</b>	<b>PART NO.</b>	<b>QTY.</b>	<b>PART NAME</b>	<b>NOTES</b>
1	LA-234922	1	CO ASM, 2970	
2	LA-234963	1	CU ASM, 122.5	
NS	LA-234943	1	CU ASM, 114.5	OPTIONAL--FOR MIDWEST COMBINES
3	LA-235711	2	CM PLATE ASM, TOP	
4	MC-134261	1	COUNTER SHAFT, 1228 MM, LEFT	RG&P, 122.5 UNDERCARRIAGE, NO EXTENSIONS
4	MC-134281	1	COUNTER SHAFT, 1126.5 MM, LEFT	RG&P, 114.5 UNDERCARRIAGE, NO EXTENSIONS
4	MC-134301	1	COUNTER SHAFT, 1175.5 MM, LEFT	RG&P, 114.5 UNDERCARRIAGE, WITH EXTENSIONS
5	MC-134271	1	COUNTER SHAFT, 951MM, RIGHT	RG&P, 122.5, UNDERCARRIAGE, NO EXTENSIONS
5	MC-134291	1	COUNTER SHAFT, 849.5, RIGHT	RG&P, 114.5 UNDERCARRIAGE, NO EXTENSIONS
5	MC-134311	1	COUNTER SHAFT, 898.5 MM, RIGHT	RG&P, 114.5 UNDERCARRIAGE, WITH EXTENSIONS
6	LP-230241	2	CM CAP, AXLE	
7	LA-230551	4	CM PIN ASM, MAIN CYLINDER	
8	LA-229251	1	CM PIN ASM, MAIN PIVOT	
9	LP-103871	2	CO BUSHING, PIVOT	
10	HC-103227	2	CYLINDER, MAIN LEVELING	SEE HYDRAULICS PAGE 8-1
11	HC-101842	1	CYLINDER, MASTER	SEE HYDRAULICS PAGE 8-1
12	LA-229071	2	TM PIN ASM, TRIM CYLINDER	
13	HC-139151	2	VALVE, 3-PORT COUNTERBALANCE	SEE HYDRAULICS PAGE 8-1
14	LM-234653	1	EM MOUNT, CONTROL BOX	
15	LA-256001	1	TAG, SERIAL NUMBER	
<b>OPTIONAL</b>				
NS	LA-243131	1	2970 HEADER LIFT CYL. DROP KIT	FOR 12 ROW CORN HEADS
<b>MISCELLANEOUS CARRIAGE COMPONENTS</b>				
NS	MC-137521	2	HOSE CLAMP, TANDEM	
NS	MC-137531	2	HOSE CLAMP, TANDEM COVER PLT	
16	LM-255531	1	BEHRINGER CLAMP, SPACER	HYDROSTAT HOSES
17	LM-248781	1	LM FLT, BRAKELINE BRKT	
NS	HC-142051	1	SLEEVE, ABRASION , E- BRAKE CABLE	EMERGENCE BRAKE CABLE SLEEVE
NS	HC-142061	1	SLEEVE, ABRASION , SHIFT CABLE	SLEEVE, ABRASION, SHIFT CABLE
NS	MC-140481	2	EMERGENCY BRAKE CABLES	EMERGENCY BRAKE CABLE
NS	F-HNN-05F	2	HN,5/16-24 NYLOCK	EMERGENCY BRAKE CABLE
NS	F-HC-08M090F	2	HC-8.8 M8 X 1.25 X 90 PLT	CLAMP FOR HYDRO HOSES
NS	F-HC-08M100F	1	HC-8.8 M8 X 1.25 X 100 PLT	CLAMP FOR HYDRO HOSES
NS	F-HNF-08MF	2	FLHN-8.8 M8 X 1.25 PLT	CLAMP FOR HYDRO HOSES

Model 2970 Hillco Leveling System  
For Serial Numbers 2970-0029 thru 2970-0042

### CARRIAGE FASTENERS

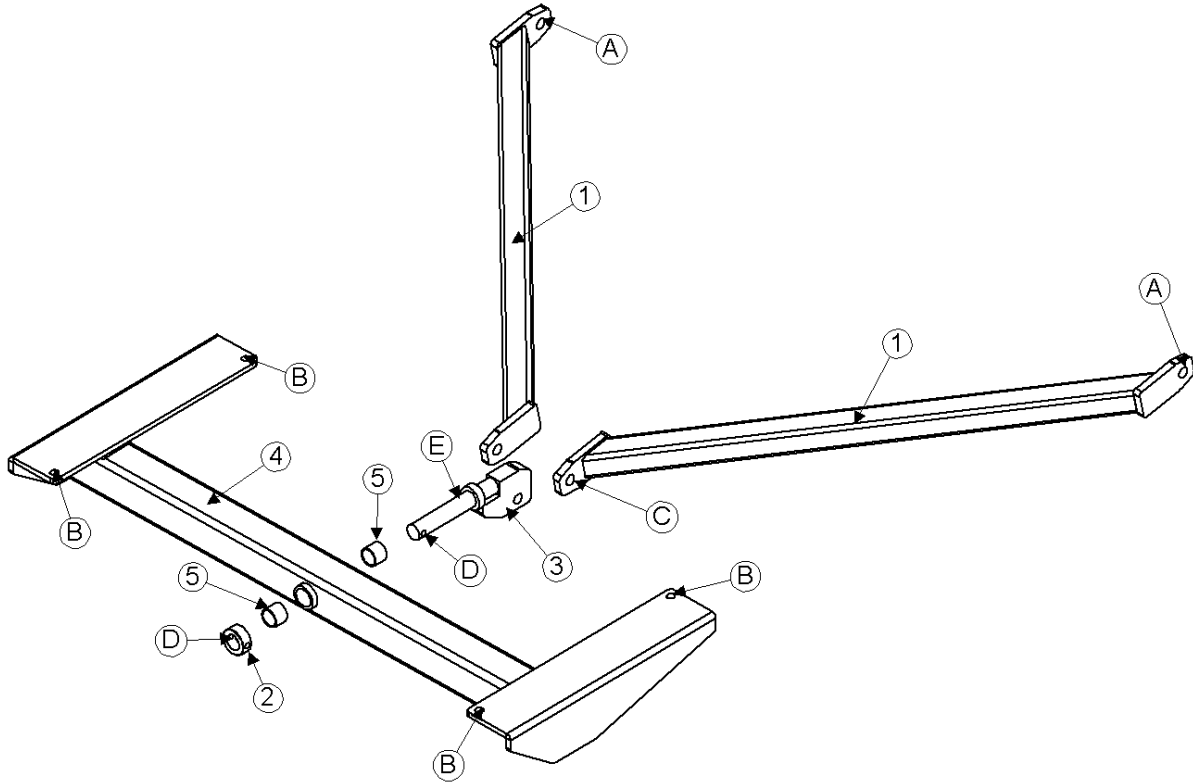


Model 2970 Hillco Leveling System  
For Serial Numbers 2970-0029 thru 2970-0042

<b>CARRIAGE FASTENERS</b>				
<b>REF.</b>	<b>PART NO.</b>	<b>QTY.</b>	<b>PART NAME</b>	<b>WHERE USED</b>
A	F-HNF-10MF	4	FLHN-8.8 M10 X 1.50 PLT	EM MOUNT, CONTROL BOX
A	F-HC-10M025F	4	HC-8.8 M10 X 1.50 X 25 PLT	EM MOUNT, CONTROL BOX
B	F-HCF-12M025F	4	FLHC-8.8 M12 X 1.75 X 25 PLT	LEVELING CYL MNT PIN
C	F-HC-16M060E	2	HC-10.9 M16 X 2.00 X 60 PLT	MAIN PVT PIN
C	F-HNS-16ME	2	HN-10.9 M16 X 2.00 STOVER PLT	MAIN PVT PIN
D	F-HCF-10M020E	2	FLHC-10.9 M10 X 1.50 X 20 PLT	MASTER CYL MNT PIN
E	F-HCF-10M040F	8	HC 8.8 M10 X 1.50 X 40 FLNG	ORIGINAL AXLE COVER
E	F-HNF-10MF	8	HC 8.8 M10 X 1.50 FLNG	ORIGINAL AXLE COVER
E	F-FWF-06020	8	FW 3/8 X 1-1/4, FENDER	ORIGINAL AXLE COVER
F	F-HC8-12C240	8	HC8 3/4-10 X 15 PLT	OVERCARRIAGE CLAMP
F	F-HNS-12C	8	HN8 3/4-10 STOVER PLT	OVERCARRIAGE CLAMP
G	F-HC-16M110E	8	HC-10.9 M16 X 2.00 X 110 PLT	OVERCARRIAGE FRONT MOUNT
G	F-FWHD-10	8	FW 5/8 HD PLT	OVERCARRIAGE FRONT MOUNT
H	F-UDS-#7X06	2	SCREW U-DRIVE, #7 X 3/8	SERIAL NUMBER PLATE
I	F-HCF-16M080E	4	FLHC-10.9 M16 X 2.00 X 80 PLT	TRANSMISSION

Model 2970 Hillco Leveling System  
For Serial Numbers 2970-0029 thru 2970-0042

### 4 Y-BRACE



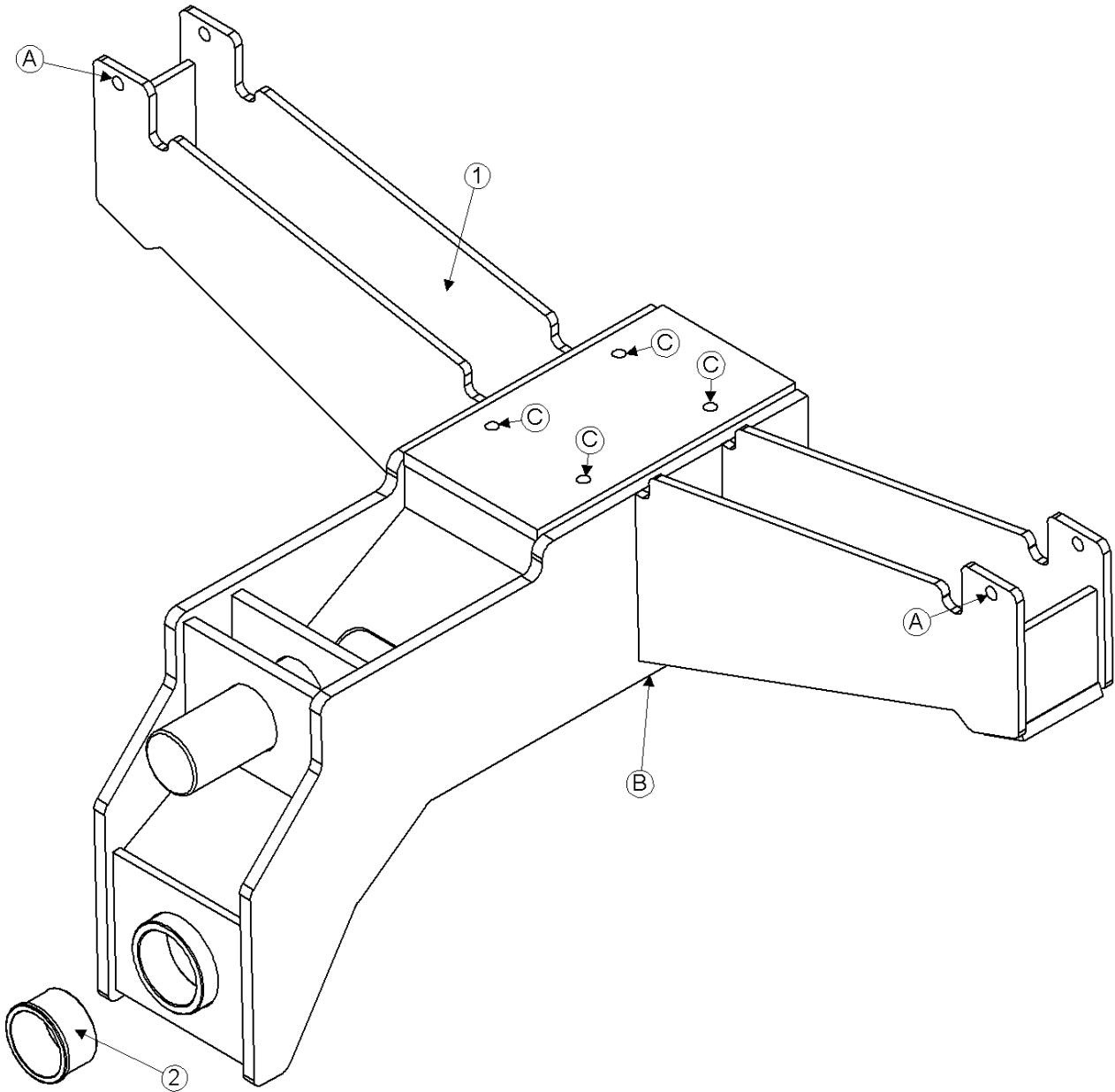


Model 2970 Hillco Leveling System  
For Serial Numbers 2970-0029 thru 2970-0042

<b>Y-BRACE COMPONENTS</b>				
<b>REF.</b>	<b>PART NO.</b>	<b>QTY.</b>	<b>PART NAME</b>	<b>DESCRIPTION</b>
1	LA-228702	2	YB ARM ASM	
2	LM-234101	1	YB COLLAR, PIVOT PIN	
3	LA-228762	1	YB PIN ASM, PIVOT	
4	LA-255361	1	YB SUPPORT ASM, CROSS	<i>FOR 60 SERIES COMBINES</i>
NS	LA-234931	1	YB SUPPORT ASM, CROSS	<i>FOR 50 SERIES COMBINES</i>
5	LM-245431	2	BUSHING, PLANE	
<b>Y-BRACE FASTENERS</b>				
<b>REF.</b>	<b>PART NO.</b>	<b>QTY.</b>	<b>PART NAME</b>	<b>WHERE USED</b>
A	F-HC-24M070E	2	HC-10.9 M24 X 3.00 X 70 PLT	Y-BRACE FRNT MNT
A	F-HNS-24ME	2	HN-10.9 M24 X 3.00 STOVER PLT	Y-BRACE FRNT MNT
B	F-HCF-16M090F	4	FLHC-10.9 M16 X 2 X 90 PLT	Y-BRACE CROSS SUPPORT <i>FOR 60 SERIES COMBINES</i>
B	F-HNSF-16ME	4	FLHN 10.9 M16 X 2 STOVER FLANGE PLT	Y-BRACE CROSS SUPPORT <i>FOR 60 SERIES COMBINES</i>
NS	F-HC-12M040E	6	HC-10.9 M12 X 1.75 X 40 PLT	Y-BRACE CROSS SUPPORT <i>FOR 50 SERIES COMBINES</i>
NS	F-HNS-12ME	6	HN-10.9 M12 X 1.75 STOVER PLT	Y-BRACE CROSS SUPPORT <i>FOR 50 SERIES COMBINES</i>
C	F-HC-24M110E	1	HC-10.9 M24 X 3.00 X 110 PLT	Y-BRACE REAR MNT
C	F-HNS-24ME	1	HN-10.9 M24 X 3.00 STOVER PLT	Y-BRACE REAR MNT
D	F-HC-12M080E	1	HC-10.9 M12 X 1.75 X 80 PLT	Y-BRACE PVT PIN COLLAR
D	F-HNS-12ME	1	HN-10.9 M12 X 1.75 STOVER PLT	Y-BRACE PVT PIN COLLAR
E	F-MB-18NR24	20	MACH BUSH 18GA NR 1-1/2 ID	Y-BRACE PVT PIN

Model 2970 Hillco Leveling System  
For Serial Numbers 2970-0029 thru 2970-0042

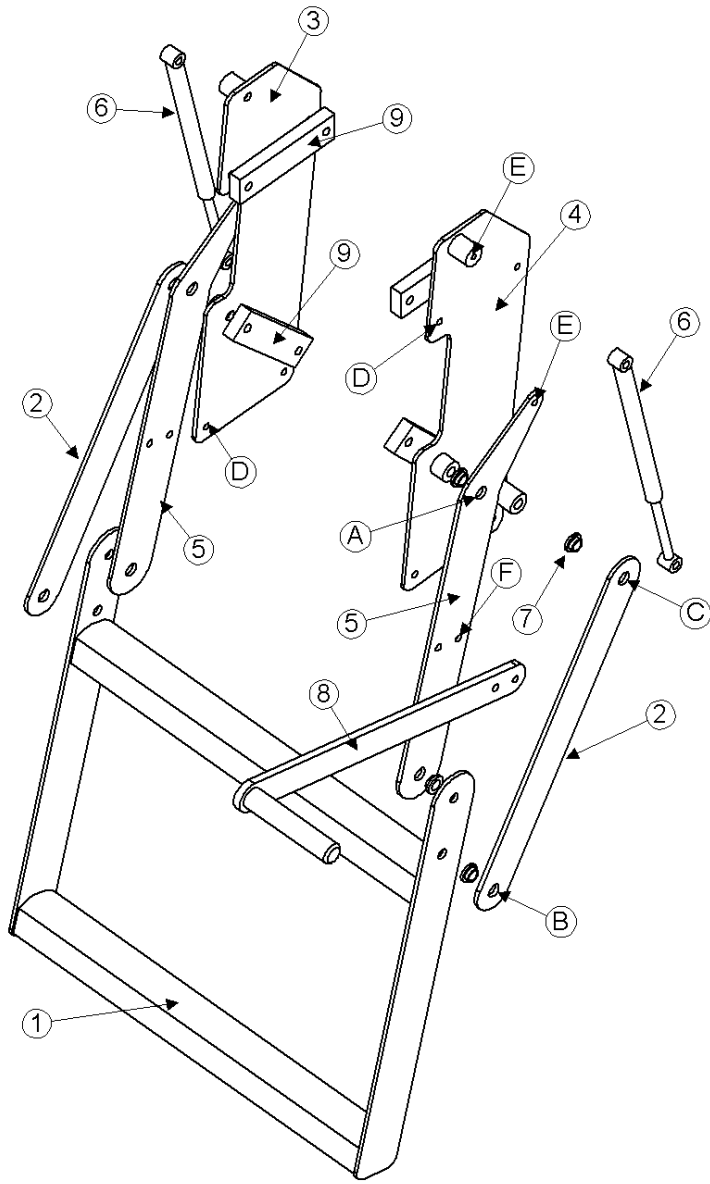
### 5 DROP AXLE



Model 2970 Hillco Leveling System  
For Serial Numbers 2970-0029 thru 2970-0042

<b>DROP AXLE COMPONENTS</b>				
<b>REF.</b>	<b>PART NO.</b>	<b>QTY.</b>	<b>PART NAME</b>	<b>DESCRIPTION</b>
1	LA-234971	1	DA ASM	
2	LP-235092	1	LM BUSHING, DA PIVOT	
<b>DROP AXLE FASTENERS</b>				
<b>REF.</b>	<b>PART NO.</b>	<b>QTY.</b>	<b>PART NAME</b>	<b>WHERE USED</b>
A	F-HNS-16ME	2	HN-10.9 M16 X 2.00 STOVER PLT	DROP AXLE WING
A	F-HC-16M190E	2	HC-10.9 M16 X 2.00 X 190 PLT	DROP AXLE WING
B	F-HC-16M250E	4	HC-10.9 M16 X 2.00 X 250 PLT	DROP AXLE LOWER PLATE
B	F-HNSF-16ME	4	HN 10.9 M16 X 2.00 STOVER, FLANGE	DROP AXLE LOWER PLATE
C	F-HC-16M050E	4	HC-10.9 M16 X 2.00 X 50 PLT	DROP AXLE UPPER PLATE
C	F-HNS-16ME	4	HN-10.9 M16 X 2.00 STOVER PLT	DROP AXLE UPPER PLATE

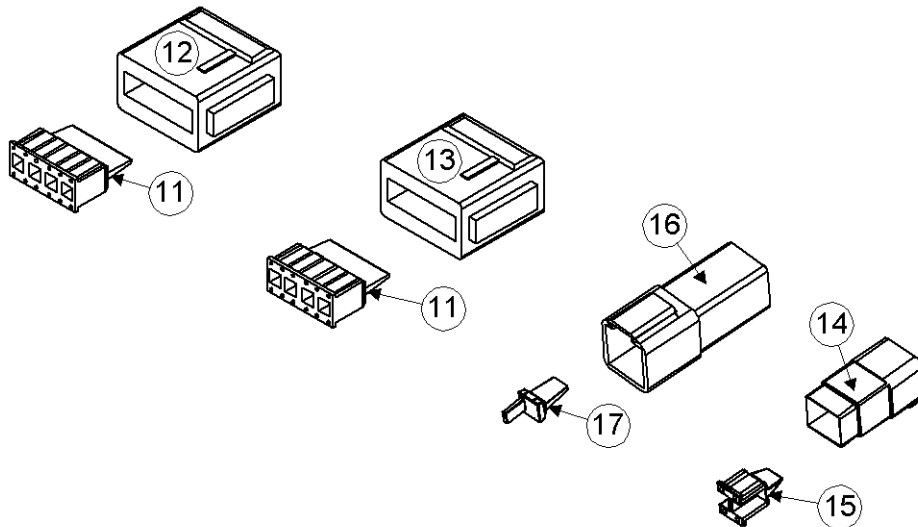
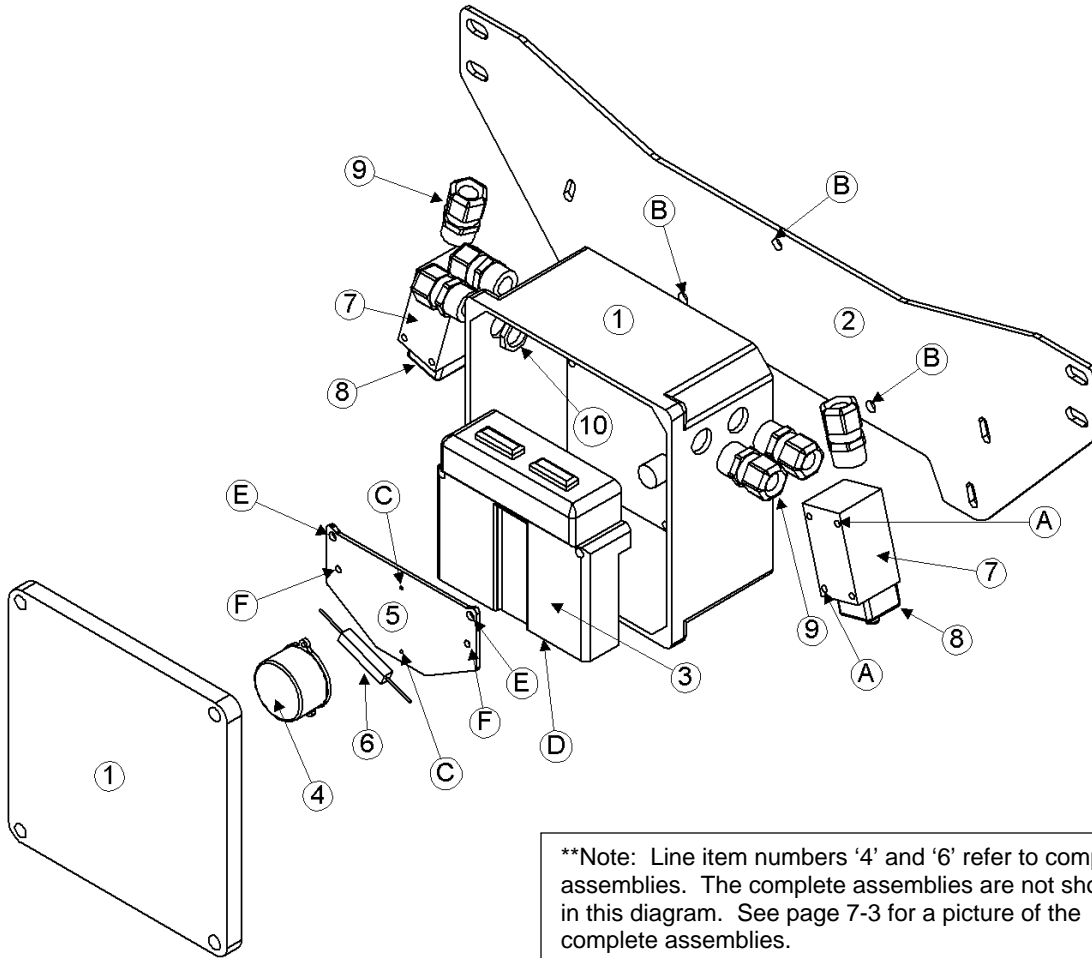
### 6 LADDER



Model 2970 Hillco Leveling System  
For Serial Numbers 2970-0029 thru 2970-0042

<b>LADDER COMPONENTS</b>				
<b>REF.</b>	<b>PART NO.</b>	<b>QTY.</b>	<b>PART NAME</b>	<b>DESCRIPTION</b>
1	LA-236563	1	LM STEP ASM, FOLDING LADDER LOWER	
2	LM-236053	2	LM PLT, FOLDING LADDER LINK	
3	LA-236542	1	LM PLT ASM, LFT SIDE FOLDING LADDER	
4	LA-236552	1	LM PLT ASM, RHT SIDE FOLDING LADDER	
5	LM-236632	2	LM PLT, UPPER ARM	
6	MC-134921	2	GAS CHARGED LIFT SUPPORT	
NS	MC-134931	2	LIFT SUPPORT BRACKETS (PAIR)	
7	MC-134941	8	FLANGED BUSHING, OILITE	
8	LA-238761	1	LM ASM, LADDER HANDLE	
9	LM-241271	4	LM FLT, LADDER SPACER	
<b>LADDER FASTENERS</b>				
<b>REF.</b>	<b>PART NO.</b>	<b>QTY.</b>	<b>PART NAME</b>	<b>WHERE USED</b>
A	F-HC-12M050F	2	HC-8.8 M12 X 1.75 X 50 PLT	LADDER TOP SIDE PLATE PIVOT
A	F-HNS-12ME	2	HN-10.9 M12 X 1.75 STOVER PLT	LADDER PIVOTS
B	F-HC-12M030F	4	HC-8.8 M12 X 1.75 X 30 PLT	LADDER MIDDLE PIVOTS
B	F-HNS-12ME	4	HN-10.9 M12 X 1.75 STOVER PLT	LADDER PIVOTS
C	F-HC-12M065F	2	HC-8.8 M12 X 1.75 X 65 PLT	LADDER BOTTOM SIDE PLT PIVOTS
C	F-HNS-12ME	2	HN-10.9 M12 X 1.75 STOVER PLT	LADDER PIVOTS
D	F-HC-08M035F	8	HC-8.8 M8 X 1.25 X 35 PLT	LADDER SIDE PLATE MOUNTS
D	F-HNF-08MF	8	FLHN 8.8 M8 X 1.25 PLT	LADDER SIDE PLATE MOUNTS
E	F-HNJ-05C	2	HN5 5/16-18 JAM NUT PLT	LADDER BALL STUD
E	F-LW-05	2	LW 5/16	LADDER BALL STUD
F	F-HC-08M025F	2	HC-8.8 M8 X 1.25 X 25 PLT	LADDER HANDLE
F	F-HNF-08MF	2	FLHN 8.8 M8 X 1.25 PLT	LADDER HANDLE

## 7 ELECTRICAL COMPONENTS AND CONNECTORS



Model 2970 Hillco Leveling System  
For Serial Numbers 2970-0029 thru 2970-0042

<b>ELECTRICAL COMPONENTS</b>				
REF.	PART NO.	QTY.	PART NAME	NOTES
<b>2970H EARLY SN [9650 STS (BEFORE SN-695500); 9750 STS (BEFORE SN-695600)]</b>				
ASM	LA-259301	1	EM ASM, CONTROLLER	
<b>2970H LATE SN [9650 STS (SN 695501- AND AFTER); 9750 STS (695601-AND AFTER); 9660 STS (705501- AND AFTER); 9760 STS (705601-AND AFTER); 9860 STS (705701-AND AFTER)]</b>				
ASM	LA-259311	1	EM ASM, CONTROLLER	
<b>FOR ALL COMBINES</b>				
1	LM-255341	1	EM BOX, CONTROLLER MOUNT	
2	LP-234653	1	EM MOUNT, CONTROL BOX	
3	EC-141831	1	CONTROLLER	
4	LA-255821	1	EM ASM, CLINOMETER	**SEE NOTE BELOW DIAGRAM
5	LM-255331	1	EM SHT, CLINOMETER MOUNT	
6	LA-255621	1	EM CABLE ASM, RESISTOR	**SEE NOTE BELOW DIAGRAM
7	EC-100557	2	BODY, LIMIT SWITCH	
8	EC-100692	2	HEAD, LIMIT SWITCH STR PLUNGER	
9	EC-138781	6	STRAIN RELIEF, NYLON, BLK,1/2 NPT	
10	EC-142121	4	STRAIN RELIEF NUT, 1/2" NYLON, BLK	
<b>ELECTRICAL FASTENERS</b>				
REF.	PART NO.	QTY.	PART NAME	WHERE USED
A	F-PHM-#10C28	4	PHMS 10-24 X 1-3/4	LIMIT SWITCH MNT
A	F-HNF-#10C	4	HN 10-24, FLNG SERR	LIMIT SWITCH MNT
B	F-HC5-04C12	3	HC5 1/4-20 X 3/4	PVC BOX TO BRACKET
B	F-LW-04	3	LW 1/4	PVC BOX TO BRACKET
C	F-PHM-#6C06	2	PHMS #6-32 X 3/8	CLINOMETER MOUNT
D	F-PHM-04C24	2	PHMS 1/4-20 X 1-1/2	CONTROLLER TO PVC BOX
D	F-HNF-04C	2	FLHN 1/4-20 SERR.	CONTROLLER TO PVC BOX
E	F-PHM-04C36	2	PHMS 1/4-20 X 2-1/4	GROUNDING PLATE MOUNTING
E	F-HNF-04C	2	FLHN 1/4-20 SERR.	GROUNDING PLATE MOUNTING
F	F-PHM-#10C16	2	PHMS 10-24 X 3/4	GROUNDING PLATE GROUND
F	F-HNF-#10C	2	HN5 10-24, FLNG SERR	GROUNDING PLATE GROUND
F	F-HN-#10C	2	HN5 10-24	GROUNDING PLATE GROUND
<b>ELECTRICAL CONNECTORS</b>				
REF.	PART NO.	QTY.	PART NAME	DESCRIPTION
NS	EC-136631	1	SEAL, GREEN	
NS	EC-140841	1	TERMINAL	
NS	EC-140851	2	TERMINAL	
NS	EC-140861	2	SEAL, RED	
NS	EC-100164	1	PIN, ELECTRICAL	
NS	EC-100165	2	SOCKET, SIZE 16 DEUTSCH	
NS	EC-139631	1	CONNECTOR, PARALLEL, 12-10 GA	
NS	EC-139641	2	CONNECTOR, PARALLEL, 16-14 GA	
11	EC-141741	2	DTM SERIES, 12-SOCKET WEDGE	
12	EC-141751	1	DTM SERIES 12-SOCKET PLUG -GRAY	
13	EC-141761	1	DTM SERIES 12-SOCKET PLUG -BLACK	
14	EC-141791	1	DTM SERIES 4-SOCKET PLUG	
15	EC-141801	1	DTM SERIES 4-SOCKET WEDGE	
NS	EC-141771	15	DTM SERIES SOCKET CONTACT, STAMPED	
16	EC-141811	1	DTM SERIES 4-PIN RECEPTACLE	
17	EC-141821	1	DTM SERIES 4-PIN WEDGE	
NS	EC-141781	4	DTM SERIES PIN CONTACT, STAMPED	

**ELECTRICAL CABLES**



**#1** LA-249062  
EM CABLE ASM, LEVELING VALVE



**#2** LA-255631  
EM CABLE ASM, LIMIT SWITCH



**#3** LA-255641  
EM CABLE ASM, BOX TO VALVE



**#4** LA-255821  
EM CABLE ASM, CLINOMETER



**#5** LA-255721  
EM ALL CABLE ASM, CAB TO BOX  
EARLY SERIAL NUMBER



**#6** LA-255731  
EM ALL CABLE ASM, CAB TO BOX  
LATE SERIAL NUMBER  
(INCLUDES #7 SHOWN BELOW)



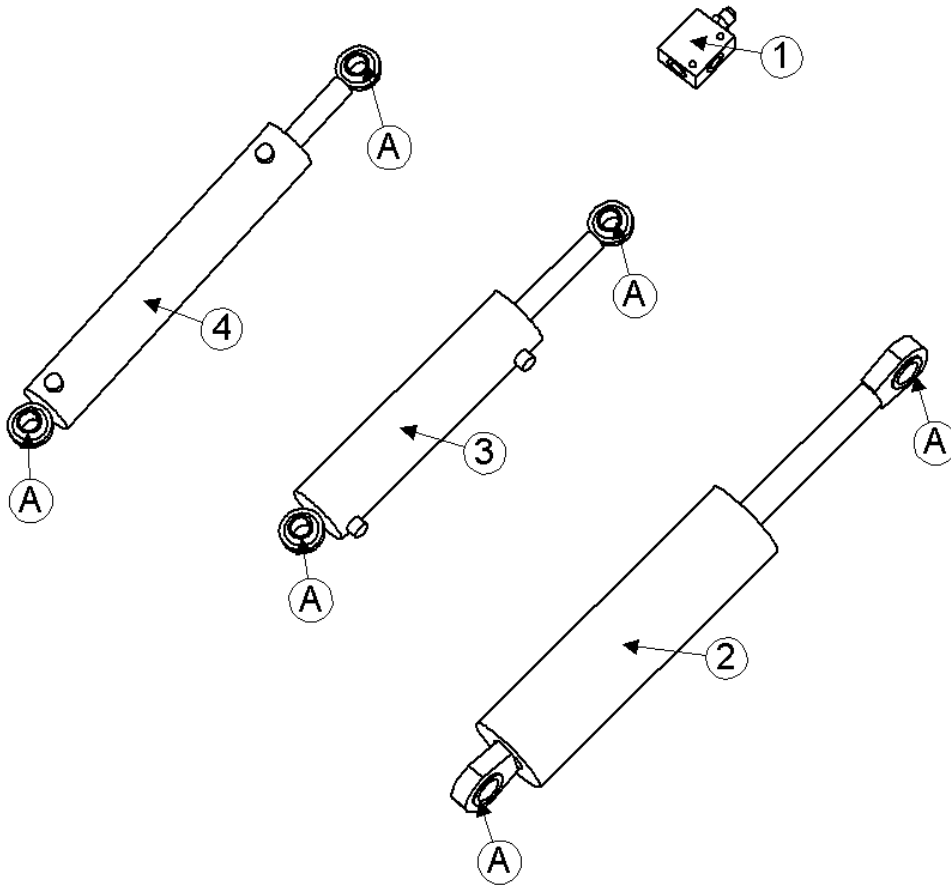
**#7** LA-255621  
EM CABLE ASM, RESISTOR



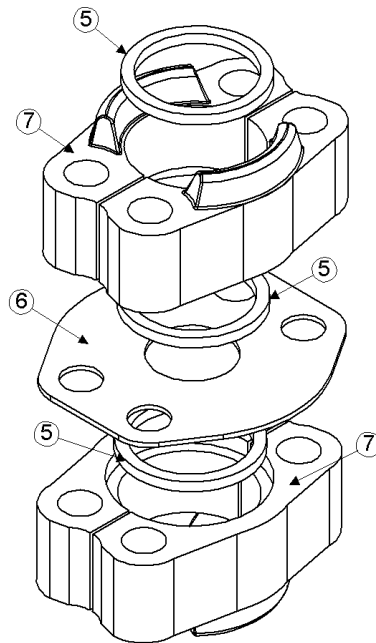
Model 2970 Hillco Leveling System  
 For Serial Numbers 2970-0029 thru 2970-0042

<b>CABLE ASSEMBLIES</b>				
<b>REF.</b>	<b>PART NO.</b>	<b>QTY.</b>	<b>PART NAME</b>	<b>DESCRIPTION</b>
<b>FOR ALL COMBINES</b>				
1	LA-249062	1	EM CABLE ASM, LEVELING VALVE	
2	LA-255631	2	EM CABLE ASM, LIMIT SWITCH	
3	LA-255641	1	EM CABLE ASM, BOX TO VALVE	
4	LA-255821	1	EM ASM, CLINOMETER	
<b>2970H EARLY SN [9650 STS (BEFORE SN-695500); 9750 STS (BEFORE SN-695600)]</b>				
5	LA-255721	1	EM ALL CABLE ASM, CAB TO BOX, EARLY	
<b>2970H LATE SN [9650 STS (SN 695501- AND AFTER); 9750 STS (695601-AND AFTER); 9660 STS (705501-AND AFTER); 9760 STS (705601-AND AFTER); 9860 STS (705701-AND AFTER)]</b>				
6	LA-255731	1	EM ALL CABLE ASM, CAB TO BOX, LATE	
7	LA-255621	1	EM CABLE ASM, RESISTOR	

### 8 HYDRAULICS



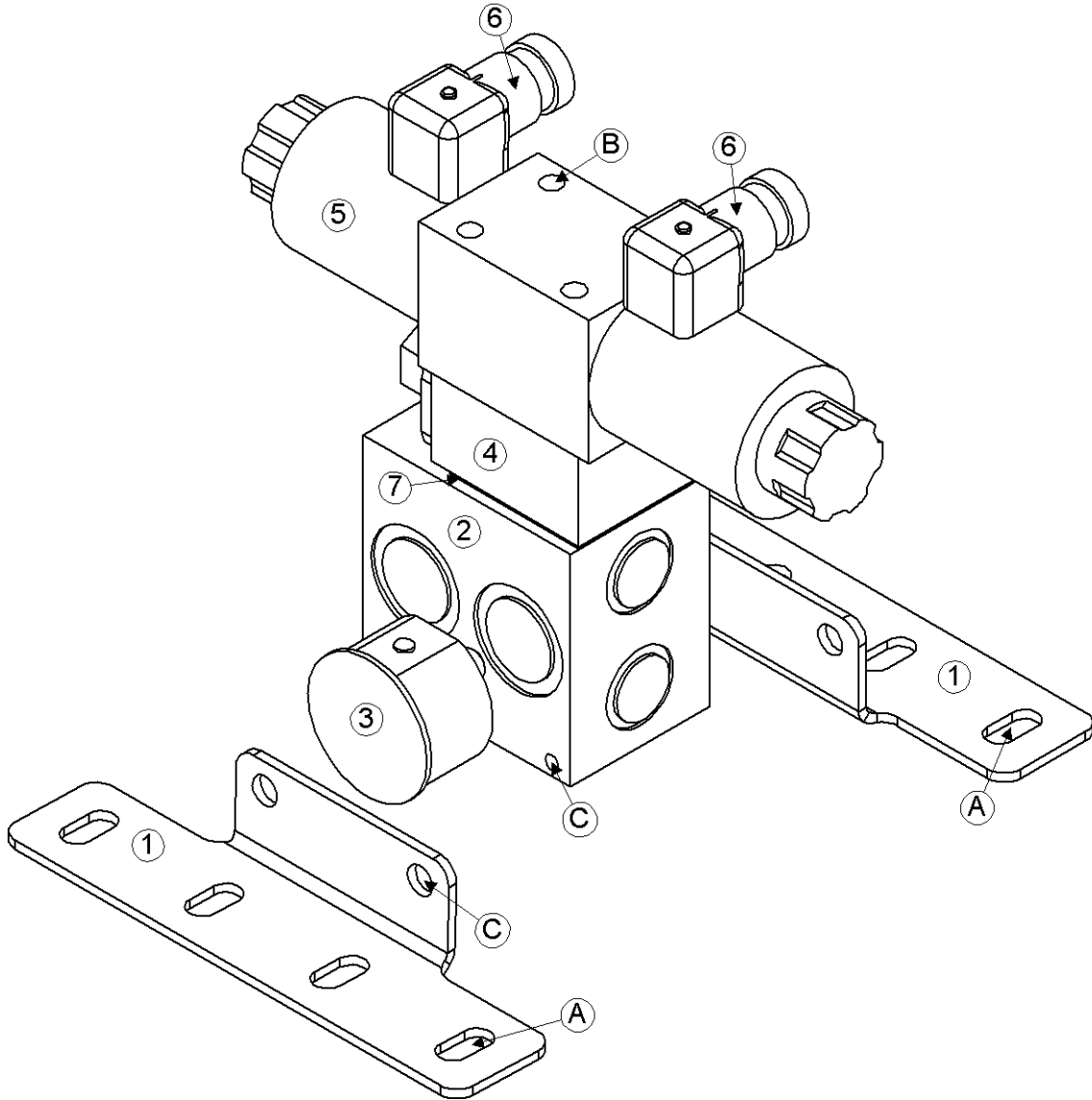
CODE 62 SPLIT FLANGE  
CONNECTOR KIT  
ASSEMBLY WITH O-RINGS



Model 2970 Hillco Leveling System  
 For Serial Numbers 2970-0029 thru 2970-0042

<b>COUNTERBALANCE VALVE AND CYLINDERS</b>				
<b>REF.</b>	<b>PART NO.</b>	<b>QTY.</b>	<b>PART NAME</b>	<b>DESCRIPTION</b>
1	HC-139151	2	COUNTERBALANCE VALVE, 3 PORT	
..	HC-139181	2	BODY, COUNTERBALANCE VALVE	
..	HC-139161	2	CARTRIDGE, COUNTERBALANCE VALVE	
NS	HC-140361	2	SEAL KIT, COUNTERBALANCE VALVE	
2	HC-103227	2	CYLINDER, MAIN	
NS	HC-134251	2	SEAL KIT, MAIN CYLINDER	
3	HC-101842	1	CYLINDER, MASTER	
NS	HC-134201	1	SEAL KIT, MASTER CYLINDER	
4	HC-100706	1	CYLINDER, SLAVE, 2-1/2 X 12-1/2	
NS	HC-134191	1	SEAL KIT, SLAVE CYLINDER	
<b>CODE 62 SPLIT FLANGE CONNECTOR KIT ASSEMBLY</b>				
ASM	HC-101843	2	CODE 62 SLT FLNG CONNECTOR KIT WITH O-RINGS	FWD AND REAR PROPULSION HOSE
5	HC-134911	6	O-RING, CODE 62 CONNECTOR	
6	HC-137891	2	PLATE, CODE 62	
7	HC-137901	4	CODE 62, #16 SPLIT FLANGE KIT	
NS	F-HC8-07C44	8	HC8 7/16 X 2-3/4 PLT	
NS	F-HN8-07C	8	HN8 7/16-14	
<b>HYDRAULIC FASTENERS</b>				
A	F-SSS-04F04	8	SET SCREW, SOCKET 1/4-28 X 1/4	ALL CYLINDERS

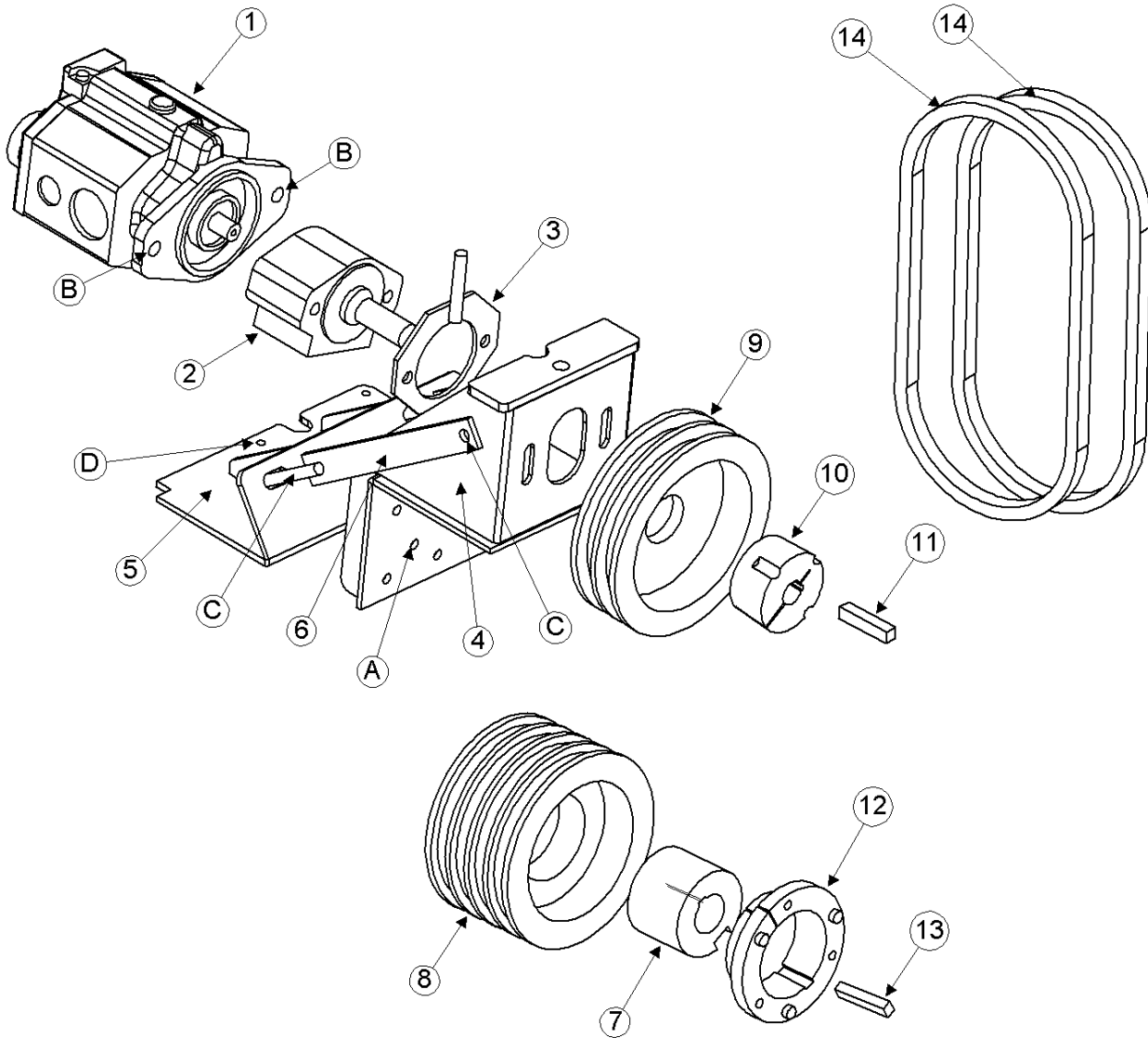
Model 2970 Hillco Leveling System  
For Serial Numbers 2970-0029 thru 2970-0042  
**HYDRAULIC MANIFOLD**



Model 2970 Hillco Leveling System  
For Serial Numbers 2970-0029 thru 2970-0042

<b>MANIFOLD COMPONENTS</b>				
<b>REF.</b>	<b>PART NO.</b>	<b>QTY.</b>	<b>PART NAME</b>	<b>DESCRIPTION</b>
1	LP-250041	2	HM PLT, MANIFOLD MNT	
2	HC-138861	1	MANIFOLD, SINGLE STATION	
3	HC-101019	1	3000 PSI PRESSURE GUAGE WITH 1/4" MALE PIPE FITTING	
4	HC-101264	1	LOAD SENSE SHUTTLE ASM	
..	HC-101021	1	CARTRIDGE, LOAD SENSE VALVE	
..	HC-101022	1	BODY, LOAD SENSE VALVE	
NS	HC-102082	1	SEAL KIT, LOAD SENSE SHUTTLE ASM	
5	HC-140411	1	VALVE, DIRECTIONAL CONTROL, PROPORTIONAL	
NS	LM-250111	1	ORIFICE, .128, "P" PORT ON DIRECTIONAL CONTROL VALVE	
NS	HC-142731	1	SEAL KIT, DIRECTIONAL CONTROL VALVE	
6	HC-140291	2	PLUG, DIN LIGHTED	
7	HC-142761	1	SUBPLATE	
<b>MANIFOLD FASTENERS</b>				
A	F-HC-8M030F	8	HC-8.8 M8 X 1.25 X 30 PLT	MANIFOLD BRACKET
A	F-HNF-08MF	8	FLHN-8.8 M8 X 1.25 PLT	MANIFOLD BRACKET
B	F-SHC-#10C52	4	SHCS 10-24 X 3-1/4	LEVELING STATION OF MANIFOLD
B	F-LW-#10	4	LW #10	LEVELING STATION OF MANIFOLD
C	F-HCF-05C08	4	HC5 5/16-18 X 1/2 FLANGE	MANIFOLD TO BRACKET

Model 2970 Hillco Leveling System  
For Serial Numbers 2970-0029 thru 2970-0042  
**HYDRAULIC PUMP**

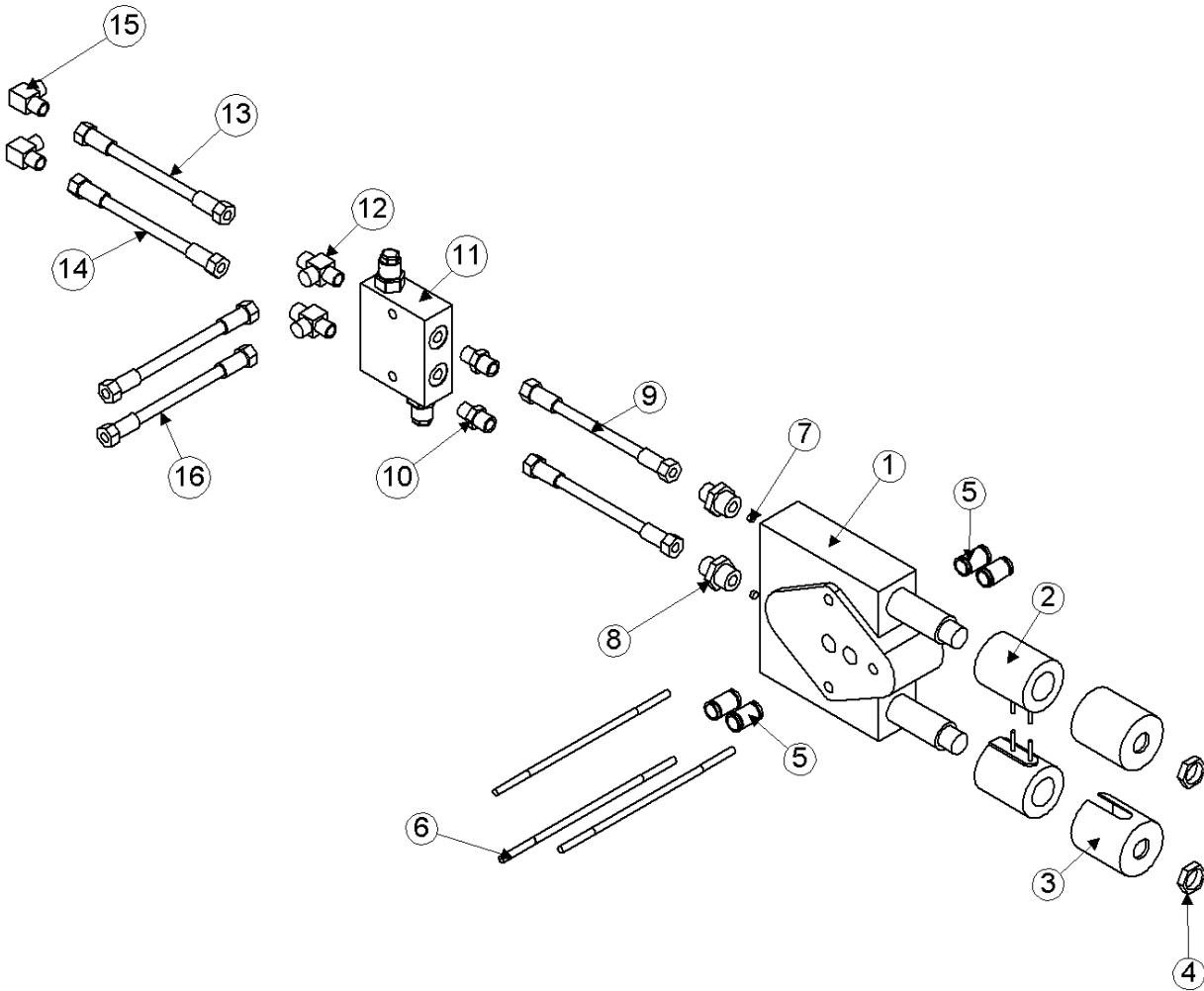


Model 2970 Hillco Leveling System  
For Serial Numbers 2970-0029 thru 2970-0042

<b>PUMP DRIVE COMPONENTS</b>				
<b>REF.</b>	<b>PART NO.</b>	<b>QTY.</b>	<b>PART NAME</b>	<b>DESCRIPTION</b>
1	HC-133151	1	PUMP, HYDRAULIC PFC-116	
NS	HC-135231	1	SEAL KIT, PUMP	
..	HC-135241	1	SEAL, PUMP MAIN SHAFT	
..	HC-135251	2	SEAL, PINTLE SHAFT	
..	HC-103099	1	COMPENSATOR #2	
..	HC-137061	1	KEY, HYDRAULIC PUMP SHAFT	
2	HC-141531	1	ADAPTER, OVER-HUNG LOAD	
3	LA-235271	1	HM PUMP DR, MOUNT PLT ASM	
4	LA-235261	1	HM PUMP DR, ASM	
5	LA-238821	1	HM ASM, PUMP MNT ANCHOR	
6	LA-238791	2	HM ASM, PUMP MNT DRAW BOLT	
7	LM-235281	1	HM PUMP DR, HUB	
8	MC-134321	1	SHEAVE, 4 GROOVE, 8 IN	
9	MC-134502	1	SHEAVE, 2 GROOVE, 7.5 IN	
10	MC-134342	1	BUSHING, TAPER LOCK	
11	LS-235291	1	HM PUMP DR, OHLA KEY	
12	MC-134351	1	BUSHING, 3-1/2IN, TAPER LOCK	
13	LM-236611	1	KEY, 3-1/2 QD HUB	
14	MC-140371	2	BELT, DRIVE	
<b>PUMP DRIVE FASTENERS</b>				
<b>REF.</b>	<b>PART NO.</b>	<b>QTY.</b>	<b>PART NAME</b>	<b>DESCRIPTION</b>
A	F-HC-10M040E	5	HC-10.9 M10 X 1.50 X 40 PLT	HYDRAULIC PUMP MOUNT
A	F-HNF-10ME	5	FLHN-10.9 M10 X 1.50 PLT	HYDRAULIC PUMP MOUNT
B	F-HC-10M110E	2	HC-10.9 M10 X 1.50 X 110 PLT	PUMP/OHLA TO BRACKET
B	F-HNF-10ME	2	FLHN-10.9 M10 X 1.50 PLT	PUMP/OHLA TO BRACKET
C	F-HNF-12ME	6	FLHN-10.9 M12 X 1.75 PLT	PUMP MNT DRAW BOLT
C	F-HC-12M030E	2	HC-10.9 M12 X 1.75 X 30 PLT	PUMP MNT DRAW BOLT
D	F-HCF-10M030E	4	FLHC-10.9 M10 X 1.50 X 30 PLT	PUMP MNT ANCHOR

Model 2970 Hillco Leveling System  
For Serial Numbers 2970-0029 thru 2970-0042

### HEADER TILT VALVE





Model 2970 Hillco Leveling System  
For Serial Numbers 2970-0029 thru 2970-0042

<b>HEADER TILT VALVE</b>				
<b>REF.</b>	<b>PART NO.</b>	<b>QTY.</b>	<b>PART NAME</b>	<b>DESCRIPTION</b>
1	HC-136511	1	LATERAL TILT VALVE	
2	HC-136561	2	COILS	
3	HC-136571	2	COIL COVERS	
4	HC-136581	2	COIL COVER NUTS	
5	HC-136551	4	SHORT THROUGH TUBES	
6	LP-248471	3	ALL THREAD, B7, 1/4-20 X 15.625, PLATED	
7	LM-254541	2	HM ORIFICE, TRIM VALVE ( DRILLED TO .040 )	
8	HA-S-4MF8MO	2	#4 MORS X #8 MORB ADAPTER	
9	LA-139111	1	1/4" 100R2 83-1/2 IN #4FORS X #4FORS	
9	LA-139111	1	1/4" 100R2 83-1/2 IN #4FORS X #4FORS	
10	HA-S-4MF4MO	2	#4MORB X #4MORS STRAIGHT	
11	HC-138691	1	MANIFOLD, RELIEF VALVE	
12	HA-T-4MF4MO	2	#4 MORB X #4 MORS STR THREAD RUN TEE	
13	LA-139531	1	1/4" 100R2 295 IN #4FORS X #6FORS	SLAVE CYLINDER ROD TO RELIEF VALVE #2
14	LA-139541	1	1/4" 100R2 309 IN #4FORS X #6FORS	SLAVE CYLINDER BASE TO RELIEF VALVE #1
15	HA-L-4MF6MO	2	#4 MORS X #6 MORB 90 DEG	SLAVE CYLINDER
16	LA-139141	1	1/4" 100R2 114-1/2 IN #4FORS X #4FORS	RELIEF VALVE #1 TO MASTER BASE
16	LA-139141	1	1/4" 100R2 114-1/2 IN #4FORS X #4FORS	RELIEF VALVE #2 TO MASTER ROD

Model 2970 Hillco Leveling System  
For Serial Numbers 2970-0029 thru 2970-0042

**HYDRAULIC HOSES**

REF.	PART NO.	QTY.	PART NAME	WHERE USED
<b>MAIN LEV CYLINDERS</b>				
NS	LA-140071	2	1/4 100R2 HOSE 79-1/2 IN #6 FORS 90 DEG X #6 FORS STR	L OR R POCV #3 TO L OR R POCV #2
NS	LA-140081	2	1/2 100R2 HOSE 70-1/2 IN #8 FORS STR X #8 FORS STR	L OR R ROD TO POCV #2
<b>GREASE HOSES</b>				
NS	LA-140091	1	3/16 R1 GREASE HOSE 95-3/4 IN 1/8 MPT X 1/8 MPT	LH MAIN LEV CYL BASE TO BH #1
NS	LA-140101	1	3/16 R1 GREASE HOSE 48 IN 1/8 MPT X 1/8 MPT	RH MAIN LEV CYL BASE TO BH #2
NS	LA-140111	1	3/16 R1 GREASE HOSE 64 IN 1/8 MPT X 1/8 MPT	MSTR BASE TO BH #3
NS	LA-140121	1	3/16 R1 GREASE HOSE 26 IN 1/8 MPT X 1/8 MPT	MSTR ROD TO BH #4
NS	LA-138962	1	3/16 R1 GREASE HOSE 61 IN 1/8 MPT X 1/8 MPT	MAIN PVT TO BH #5
<b>BRAKES</b>				
NS	LA-130371	1	#4 TITE FLEX W / #4 FORS X #4 MORS (31 IN)	BRAKE HOSE RIGHT
NS	LA-130371	1	#4 TITE FLEX W / #4 FORS X #4 MORS (31 IN)	BRAKE HOSE LEFT
NS	HA-133131	2	TEFLON O-RING	FOR ABOVE TWO BRAKE HOSES
<b>MANIFOLD TO LEFT LEV CYL</b>				
NS	LA-139521	1	1/2 100R2 HOSE 186 IN #8 FORS X #8 FORS	LEVELING VALVE PORT A & B TO LEFT MAIN LEV CYL
NS	LA-140131	1	1/2 100R2 HOSE 241 IN #8 FORS X #8 FORS	LEVELING VALVE PORT A & B TO RIGHT MAIN LEV CYL
<b>MANIFOLD TO PUMP</b>				
NS	LA-134821	1	1/4 100R2 HOSE 167 IN #4 FORS X #4 FORS 90	LOAD SENSE LINE
NS	LA-134831	1	3/4 100R2 HOSE 167 IN #10 FORS X #10 FORS	PRESSURE FROM PUMP TO MANIFOLD
NS	LA-134841	1	3/4 100R1 HOSE 39-1/2 IN #10 FORS X #12 FORS 90	RETURN LINE
<b>PUMP</b>				
NS	LA-134861	1	1 100R1 HOSE 66-1/2 IN #16 FORS X #16 FORS	PUMP SUCTION
NS	LA-134871	1	3/8 100R2 HOSE 65-1/2 IN #6 FORS X #6 FORS 90	PUMP CASE DRAIN TO RESEVOIR
<b>HYDROSTAT</b>				
NS	LA-140381	1	1 100R15 68 IN CODE 62 SLT FLNG 180DEG X CODE 62 SPLT FLNG STR	HYDROSTAT FRONT
NS	LA-140391	1	1 100R15 58 IN CODE 62 SLT FLNG 180DEG X CODE 62 SPLT FLNG STR	HYDROSTAT REAR
NS	LA-140401	1	3/4 100R1 HOSE 38-1/2 IN #12 MORS X #12 FORS 45 DEG	HYDRO MOTOR CASE DRAIN
<b>TRIM HOSES</b>				
NS	LA-139111	2	1/4" 100R2 83-1/2 IN #4FORS X #4FORS	TRIM VALVE TO RELIEF VALVE
NS	LA-139141	2	1/4" 100R2 110-1/2 IN #4FORS X #4FORS	RELIEF VALVE TO MASTER
NS	LA-139531	1	1/4" 100R2 295 IN #4FORS X #6FORS	RELIEF TO SLAVE BASE
NS	LA-139541	1	1/4" 100R2 309 IN #4FORS X #6FORS	RELIEF TO SLAVE ROD

Model 2970 Hillco Leveling System  
For Serial Numbers 2970-0029 thru 2970-0042

**HYDRAULIC ADAPTERS**

REF.	PART NO.	QTY.	PART NAME	WHERE USED
<b>MAIN CYLINDERS</b>				
NS	HA-L-8FF8MF	2	#8 FORS X #8 MORS 90 DEG	POCV #2 LEFT AND RIGHT
NS	HA-L-8MO8MO	2	#8 MORB X #8 MORB 90 DEG	L & R POCV #1
NS	HA-T-8MO8MO	2	#8 MORB X #8 MORS STR THREAD RUN TEE	L & R POCV #2
NS	HA-Q-8MF8MO	2	#8 MORB X #8 MORS STE THREAD BRANCH TEE	L & R MAIN CYL ROD
NS	HA-L-6MF6MO	2	#6 MORB X #6 MORS 90 DEG	L & R POCV #3
NS	HA-S-8FF6MF	2	#8 FORS X #6 MORS REDUCER	L & R POCV #2
<b>MASTER AND SLAVE CYLINDER</b>				
NS	HA-L-4MF6MO	2	#4 MORS X #6 MORB 90 DEG	MASTER CYL ROD AND BASE PORTS
NS	HA-L-6MF6MO	2	#6 MORS X #6 MORB 90 DEG	SLAVE CYL ROD AND BASE PORTS
<b>PUMP ADAPTERS</b>				
NS	HA-S-12MO16MF	1	#12 MORB X #16 MORS STR	PUMP SUCTION
NS	HA-T-16MF16MO	1	#16 MORB X #16 MORS STR THREAD RUN TEE	PUMP SUCTION AT RESEVOIR
NS	HA-L-16FF16MF	1	#16 MORS X #16 FORS 90 DEG	PUMP SUCTION AT RESEVOIR
NS	HA-S-10MF10MO	1	#10 MORB X #10 MORS STR	PUMP PRESSURE
NS	HA-T-6MF6MO	1	#6 MORB X #6 MORS STR THREAD RUN TEE	CASE DRAIN AT RESEVOIR
NS	HA-C-6FF	1	#6 FORS CAP	CASE DRAIN AT RESEVOIR
NS	HA-L-4MF4MO	1	#4 MORB X #4 MORS 90 DEG	PUMP LOAD SENSE
NS	HA-S-6MF6MO	1	#6 MORB X #6 MORS STR	PUMP CASE DRAIN
<b>MANIFOLD ADAPTERS</b>				
NS	HA-S-10MF10MO	1	#10 MORB X #10 MORS STR	"P" & "T" PORTS
NS	HA-L-10FF10MF	1	#10 FORS X #10 MORS 90 DEG	"P" & "T" PORTS
NS	HA-S-4MF4MO	1	#4 MORB X #4 MORS STR	LOAD SENSE SHUTTLE
NS	HA-A-10MO	1	#10 MORB ALLEN HEAD PLUG	"T" PORT
NS	HA-S-10MF10MO	1	#10 MORB X #10 MORS STR	TANK OUT
NS	HA-L-10FF10MF	1	#10 FORS X #10 MORS 90 DEG	TANK OUT
NS	HA-L-8MF8MO	2	#8 MORB X #8 MORS 90	"A" & "B" LEVELING PORTS
NS	HA-S-4FP10MO	1	#10 MORB X #4 FNPT STR	PRESSURE GAUGE
NS	HA-M-12MF12FF	1	#12 ORS SWIVEL NUT RUN TEE	RETURN LINE
<b>LATERAL TILT VALVE</b>				
NS	HA-S-4MF8MO	2	#8 MORB X #4 MORS STRAIGHT	LATERAL TILT VALVE
NS	LP-248471	3	ALL THREAD, B7, 1/4-20 X 15.625, PLATED	JD STACK VALVE
<b>LATERAL TILT RELIEF VALVE</b>				
NS	HA-S-4MF4MO	2	#4MORB X #4MORS STR	LATERAL TILT RELIEF VALVE
NS	HA-T-4MF4MO	2	#4 MORB X #4 MORS STR THREAD RUN TEE	LATERAL TILT RELIEF VALVE
<b>HEADER LIFT CYLINDERS</b>				
NS	HA-L-8FF8MF	1	#8 FORS X #8 MORS 90 DEG	HEADER LIFT CYL HOSE BULKHEAD
<b>GREASE FITTINGS</b>				
NS	HA-S-2FP2MN	5	1/8" NPSM X 1/8" FPT BULKHEAD CONNECTOR	GREASE BULKHEAD MOUNT
NS	HA-NJ-2FN	5	1/8" NPSM BULKHEAD LOCKNUT	BULKHEAD CONNECTOR
NS	HC-138011	5	1/4-28 STRAIGHT ZERK	ALL GREASE LINES
NS	HA-L-2FP2MP	1	1/8 MPT 90 STREET EL	MAIN PIVOT PIN
NS	HC-135771	3	1/4-28 MALE X 1/8 FPT 90 DEG	MASTER AND MAIN LEV CYL BASE
NS	HC-135881	1	1/4-28 MALE X 1/8 FPT STR	MASTER ROD

Model 2970 Hillco Leveling System  
 For Serial Numbers 2970-0029 thru 2970-0042

**9 MISCELLANEOUS**

DOCUMENTS AND LABELS				
REF.	PART NO.	QTY.	PART NAME	WHERE USED
NS	LL-142091	2	DECALS, JD HILLSIDE LEV SYSTEM	
NS	LL20-100784	2	DANGER PINCH POINT	RH & LH UPPER TRANS FACE PLT
NS	LL20-100786	1	WARNING ELECTRONIC CRUSHING HAZARD	FRONT OF CONTROL BOX
NS	LL20-100786	1	WARNING ELECTRONIC CRUSHING HAZARD	EM, ASM CONTROLLER
NS	LL20-100783	6	DANGER, CRUSHING HAZARD	2-DROP AXLE END PLATES, 4-RT & LT UC FRONT AND BACK
NS	LL-133741	2	LABEL, GREASE 50 HRS	OC BULKHEAD
NS	LL-133741	1	LABEL, GREASE 50 HRS	RH TRANS SIDE PLT (FOR SLAVE CYL)
NS	LL-133741	2	LABEL, GREASE 50 HRS	MAIN LEV CYL BOTTOM (RH & LH)
NS	LA-256001	1	TAG, SERIAL NUMBER	
NS	D-010823DJC01	1	MANUAL, OPERATOR'S	
NS	D-010725CLA01	1	MANUAL, INSTALLATION	
NS	D-050707ADL01C	1	MANUAL, PARTS	
NS	LA-251701	1	SAFETY LABEL PACKET	
NS	..	1	LL20-100782--CAUTION LEVELING SYSTEM CAB	WINDOW IN CAB
NS	..	1	LL20-100785--CAUTION MOVING STEP	LADDER
NS	..	2	LL20-100787--CAUTION LEVELING SYSTEM HAZARD	GULL WINGS
NS	..	3	LL20-100788--DANGER HYDRAULIC HAZARD	1 EA MAIN CYLINDER; 1 ABOVE MANIFOLD

**10 PART NUMBER INDEX**

PART NUMBER	PAGE NUMBER	PART NUMBER	PAGE NUMBER	PART NUMBER	PAGE NUMBER
D-010725CLA01	9-1	F-HC5-04C12	7-2	HA-L-10FF10MF	8-10
D-010823DJC01	9-1	F-HC8-07C44	8-2	HA-L-16FF16MF	8-10
D-050707ADL01	9-1	F-HC8-08F20	2-4	HA-L-2FP2MP	8-10
EC-100164	7-2	F-HC8-12C240	3-4	HA-L-4MF4MO	8-10
EC-100165	7-2	F-HC-8M030F	8-4	HA-L-4MF6MO	8-8, 8-10
EC-100557	7-2	F-HCF-05C08	8-4	HA-L-6MF6MO	8-10
EC-100692	7-2	F-HCF-10M020E	2-6, 3-4	HA-L-8FF8MF	8-10
EC-136631	7-2	F-HCF-10M020F	2-6	HA-L-8MF8MO	8-10
EC-138781	7-2	F-HCF-10M030E	8-6	HA-L-8MO8MO	8-10
EC-139631	7-2	F-HCF-10M040F	3-4	HA-M-12MF12FF	8-10
EC-139641	7-2	F-HCF-12M025F	3-4	HA-NJ-2FN	8-10
EC-140841	7-2	F-HCF-12M040E	2-6	HA-Q-8MF8MO	8-10
EC-140851	7-2	F-HCF-12M080E	2-6	HA-S-10MF10MO	8-10
EC-140861	7-2	F-HCF-16M040E	2-6	HA-S-12MO16MF	8-10
EC-141741	7-2	F-HCF-16M080E	3-4	HA-S-2FP2MN	8-10
EC-141751	7-2	F-HCF-16M090F	4-2	HA-S-4FP10MO	8-10
EC-141761	7-2	F-HN-#10C	7-2	HA-S-4MF4MO	8-8, 8-10
EC-141771	7-2	F-HN8-07C	8-2	HA-S-4MF8MO	8-8, 8-10
EC-141781	7-2	F-HNF-#10C	7-2	HA-S-6MF6MO	8-10
EC-141791	7-2	F-HNF-04C	2-6, 7-2	HA-S-8FF6MF	8-10
EC-141801	7-2	F-HNF-08MF	3-2, 6-2, 8-4	HA-T-16MF16MO	8-10
EC-141811	7-2	F-HNF-10ME	8-6	HA-T-4MF4MO	8-8, 8-10
EC-141821	7-2	F-HNF-10MF	2-6, 3-4	HA-T-6MF6MO	8-10
EC-141831	7-2	F-HNF-12ME	8-6	HA-T-8MO8MO	8-10
EC-142121	7-2	F-HNF-12MF	2-6	HC-100706	2-2, 8-2
F-AT8-12M	2-6	F-HNJ-05C	6-2	HC-101019	8-4
F-CB-10M030F	2-6	F-HNJ-12MF	2-6	HC-101021	8-4
F-CB-12M040F	2-6	F-HNN-05F	3-2	HC-101022	8-4
F-EB-04C20	2-6	F-HNS-12C	3-4	HC-101264	8-4
F-FHS-8M015E	2-6	F-HNS-12ME	4-2, 6-2	HC-101842	3-2, 8-2
F-FWF-06020	3-4	F-HNS-16ME	2-6, 3-4, 5-2	HC-101843	8-2
F-FWH-08	2-6	F-HNS-24ME	4-2	HC-102082	8-4
F-FWHD-10	3-4	F-HNSF-12ME	2-6	HC-103099	8-6
F-HC-08M025F	6-2	F-HNSF-16ME	4-2, 5-2	HC-103227	3-2, 8-2
F-HC-08M035F	6-2	F-LW-#10	8-4	HC-133151	8-6
F-HC-08M090F	3-2	F-LW-04	7-2	HC-134191	2-2, 8-2
F-HC-08M100F	3-2	F-LW-05	6-2	HC-134201	8-2
F-HC-10M025F	3-4	F-LW-08A	2-4	HC-134251	8-2
F-HC-10M040E	8-6	F-MB-14NR40	2-6	HC-134911	8-2
F-HC-10M110E	8-6	F-MB-14WR26	2-6	HC-135231	8-6
F-HC-12M030E	8-6	F-MB-18NR24	4-2	HC-135241	8-6
F-HC-12M030F	6-2	F-PHM-#10C16	7-2	HC-135251	8-6
F-HC-12M040E	4-2	F-PHM-#10C28	7-2	HC-135771	8-10
F-HC-12M050F	6-2	F-PHM-#6C06	7-2	HC-135881	8-10
F-HC-12M065F	6-2	F-PHM-04C24	7-2	HC-136511	8-8
F-HC-12M080E	4-2	F-PHM-04C36	7-2	HC-136551	8-8
F-HC-16M050E	2-6, 5-2	F-SHC-#10C52	8-4	HC-136561	8-8
F-HC-16M060E	3-4	F-SHC-10M070F	2-6	HC-136571	8-8
F-HC-16M110E	3-4	F-SSS-04F04	8-2	HC-136581	8-8
F-HC-16M120E	2-6	F-SSS-06C08	2-4	HC-137061	8-6
F-HC-16M190E	5-2	F-UDS-#7X06	3-4	HC-137891	8-2
F-HC-16M250E	5-2	HA-133131	8-9	HC-137901	8-2
F-HC-24M070E	4-2	HA-A-10MO	8-10	HC-138011	8-10
F-HC-24M110E	4-2	HA-C-6FF	8-10	HC-138691	8-8

Model 2970 Hillco Leveling System  
 For Serial Numbers 2970-0029 thru 2970-0042  
**PART NUMBER INDEX (CONTINUED)**

PART NUMBER	PAGE NUMBER	PART NUMBER	PAGE NUMBER	PART NUMBER	PAGE NUMBER
HC-138861	8-4	LA-238761	6-2	LP-232162	2-2, 2-4
HC-139151	3-2, 8-2	LA-238791	8-6	LP-234653	7-2
HC-139161	8-2	LA-238821	8-6	LP-235092	5-2
HC-139181	8-2	LA-243131	3-2	LP-248471	8-8, 8-10
HC-140291	8-4	LA-249062	7-4	LP-249871	2-2
HC-140361	8-2	LA-249611	2-2, 2-4	LP-250041	8-4
HC-140411	8-4	LA-251701	9-1	LP-255131	2-2, 2-4
HC-141531	8-6	LA-255361	4-2	LS-212701	2-2, 2-4
HC-142051	3-2	LA-255621	7-2, 7-4	LS-235291	8-6
HC-142061	3-2	LA-255631	7-4	LS-244471	2-2, 2-4
HC-142731	8-4	LA-255641	7-4	LTP-241721	2-2
LA-130371	8-9	LA-255721	7-4	MC-100237	2-2, 2-4
LA-134821	8-9	LA-255731	7-4	MC-100546	2-2, 2-4
LA-134831	8-9	LA-255821	7-2, 7-4	MC-100548	2-2, 2-4
LA-134841	8-9	LA-256001	3-2, 9-1	MC-101339	2-2, 2-4
LA-134861	8-9	LA-259301	7-2	MC-134261	3-2
LA-134871	8-9	LA-259311	7-2	MC-134271	3-2
LA-138962	8-9	LL-133741	9-1	MC-134281	3-2
LA-139111	8-8, 8-9	LL-142091	9-1	MC-134291	3-2
LA-139141	8-8, 8-9	LL20-100782	9-1	MC-134301	3-2
LA-139521	8-9	LL20-100783	9-1	MC-134311	3-2
LA-139531	8-8, 8-9	LL20-100784	9-1	MC-134321	8-6
LA-139541	8-8, 8-9	LL20-100785	9-1	MC-134342	8-6
LA-140071	8-9	LL20-100786	9-1	MC-134351	8-6
LA-140081	8-9	LL20-100787	9-1	MC-134502	8-6
LA-140091	8-9	LL20-100788	9-1	MC-134921	6-2
LA-140101	8-9	LM-226532	2-2, 2-4	MC-134931	6-2
LA-140111	8-9	LM-226841	2-2	MC-134941	6-2
LA-140121	8-9	LM-228442	2-2, 2-4	MC-135491	2-2, 2-4
LA-140131	8-9	LM-229142	2-2, 2-4	MC-135501	2-2, 2-4
LA-140381	8-9	LM-229152	2-2	MC-135511	2-2, 2-4
LA-140391	8-9	LM-229161	2-2	MC-136921	2-4
LA-140401	8-9	LM-229171	2-2	MC-137521	3-2
LA-228702	4-2	LM-229192	2-2	MC-137531	3-2
LA-228762	4-2	LM-232141	2-2	MC-139241	2-2, 2-4
LA-228893	2-2	LM-234101	4-2	MC-139341	2-2, 2-4
LA-229022	2-2	LM-234653	3-2	MC-139351	2-2, 2-4
LA-229051	2-2, 2-4	LM-235281	8-6	MC-139361	2-2, 2-4
LA-229071	2-2, 3-2	LM-236053	6-2	MC-139371	2-2, 2-4
LA-229251	3-2	LM-236232	2-2, 2-4	MC-140371	8-6
LA-230551	3-2	LM-236611	8-6	MC-140481	3-2
LA-234922	3-2	LM-236632	6-2	MC-142001	2-2, 2-4
LA-234931	4-2	LM-238341	2-2, 2-4		
LA-234943	3-2	LM-241271	6-2		
LA-234952	2-2	LM-245431	4-2		
LA-234963	3-2	LM-248781	3-2		
LA-234971	5-2	LM-249861	2-2		
LA-235261	8-6	LM-254541	8-8		
LA-235271	8-6	LM-255331	7-2		
LA-235711	3-2	LM-255341	7-2		
LA-235891	2-2, 2-4	LM-255531	3-2		
LA-236542	6-2	LP-103871	3-2		
LA-236552	6-2	LP-228881	2-2, 2-4		
LA-236563	6-2	LP-230241	3-2		