

**Model 2955S**  
**Sidehill Leveling System**  
**Parts Manual**

SN 2955S-1001 thru 2955S-1004

D-051230ADL01A







**2955S Sidehill Leveling System**  
*for 9560 STS Combines*

**TABLE OF CONTENTS**

<b>1 GENERAL INFORMATION</b> .....	<b>1-3</b>
Serial Number Location.....	1-3
Text Format and Illustrations .....	1-3
Abbreviations.....	1-3
Right and Left Identification .....	1-3
Catalog Revisions and Supplements.....	1-3
Parts Orders .....	1-3
<b>2 TRANSITION</b> .....	<b>2-1</b>
Transition Fasteners.....	2-3
<b>3 CARRIAGE</b> .....	<b>3-1</b>
Carriage Fasteners.....	3-3
<b>4 DROP AXLE</b> .....	<b>4-1</b>
<b>5 ELECTRICAL CONTROL AND CAB CONTROL ASSEMBLIES</b> .....	<b>5-1</b>
Electrical Cables.....	5-3
<b>6 HYDRAULICS</b> .....	<b>6-1</b>
Leveling and Header Tilt Valves.....	6-3
Hydraulic Hoses .....	6-5
Hydraulic Adapters .....	6-6
<b>7 MISCELLANEOUS</b> .....	<b>7-1</b>
<b>8 PART NUMBER INDEX</b> .....	<b>8-1</b>

Model 2955S Hillco Leveling System  
For Serial Numbers 2955S-1001 thru 2955S-1004

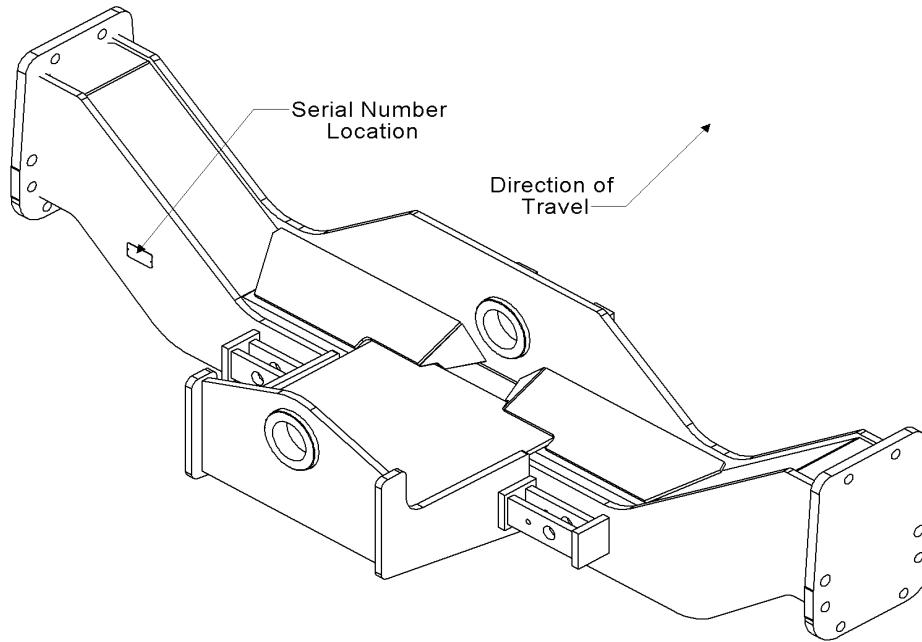
Hillco Technologies, Inc.  
107 1<sup>st</sup> Avenue  
Nezperce Id. 83543

Fax	208.937.2280
Phone	208.937.2461
Toll Free	800.937.2461

[www.hillcotechnologies.com](http://www.hillcotechnologies.com)

## 1 GENERAL INFORMATION

### SERIAL NUMBER LOCATION



### TEXT FORMAT AND ILLUSTRATIONS

The arrangement of this parts catalog is for easy identification of parts. All parts are illustrated in exploded views in proper relation to each other. Some diagrams refer to other pages for further information. Reference numbers used in the illustrations refer to line numbers in the part lists. The part lists appear to the right of all diagrams and correspond with those diagrams. Included in the part lists, along with the reference numbers are part numbers, part descriptions and the quantity of the part required per leveling system.

### ABBREVIATIONS

- SN** "Serial Number" The four digits shown in the SN column refer to the last four digits in the Hillco serial number. Each Model 2955S system uses the following format:  
2955S-XXXX (sequential numbers).
- ASM** "Assembly" refers to a whole grouping of parts (usually shown in the diagram corresponding with the page where "ASM" is shown).
- NS** "Not Shown" refers to a part that is not depicted in the illustration.

### RIGHT AND LEFT IDENTIFICATION

The reference to right-hand and left-hand in this catalog is identified by the operator standing at the rear of the machine looking toward the front of the machine (in normal forward travel).

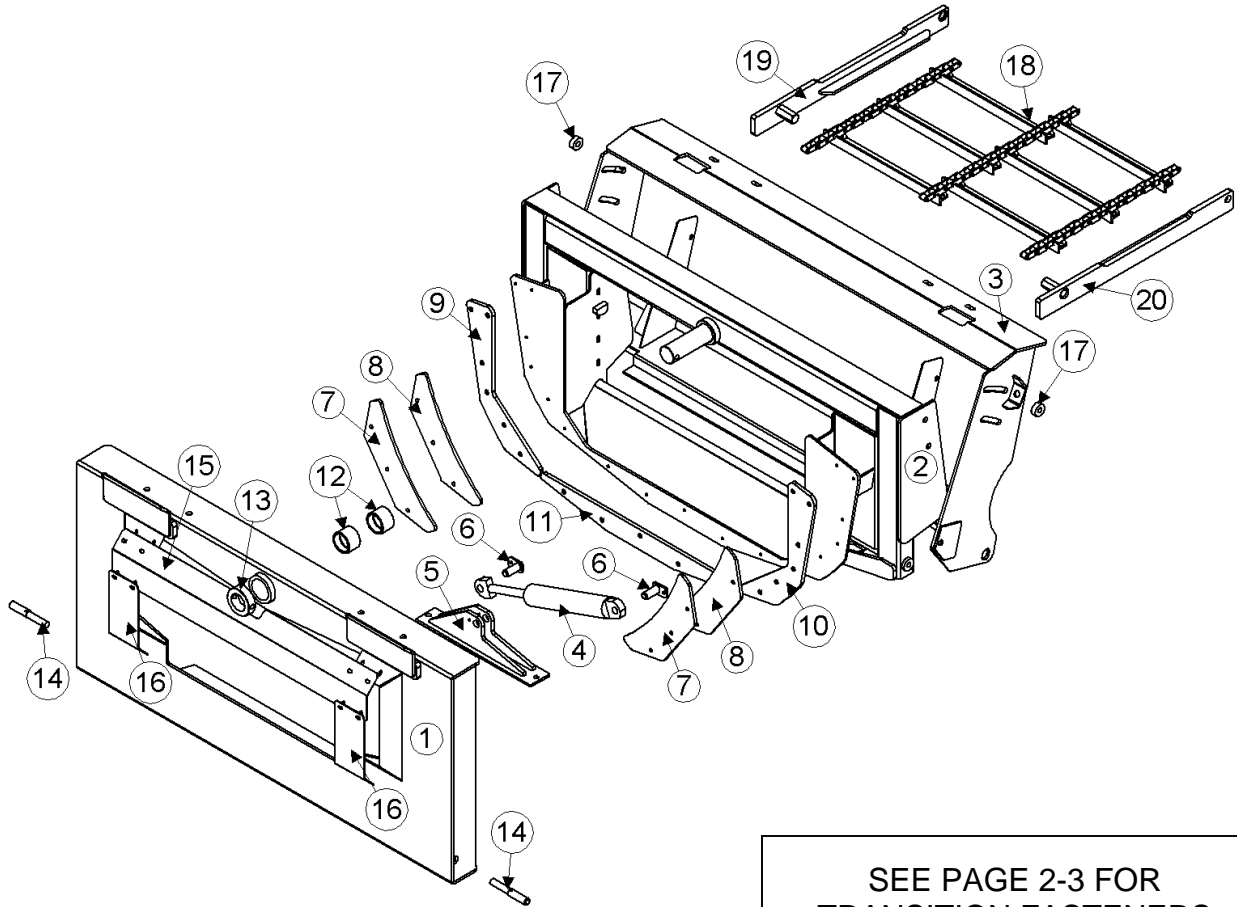
### CATALOG REVISIONS AND SUPPLEMENTS

Changes to the product may make it necessary to revise or add pages to this catalog. A cover sheet will list all pages released in a revision or supplement. All revised and new pages must be put into the parts catalog as soon as they are received.

### PARTS ORDERS

Orders must specify product model, serial number, correct part number, complete description, quantity required, method of shipment, shipping address, and billing address.

## 2 TRANSITION



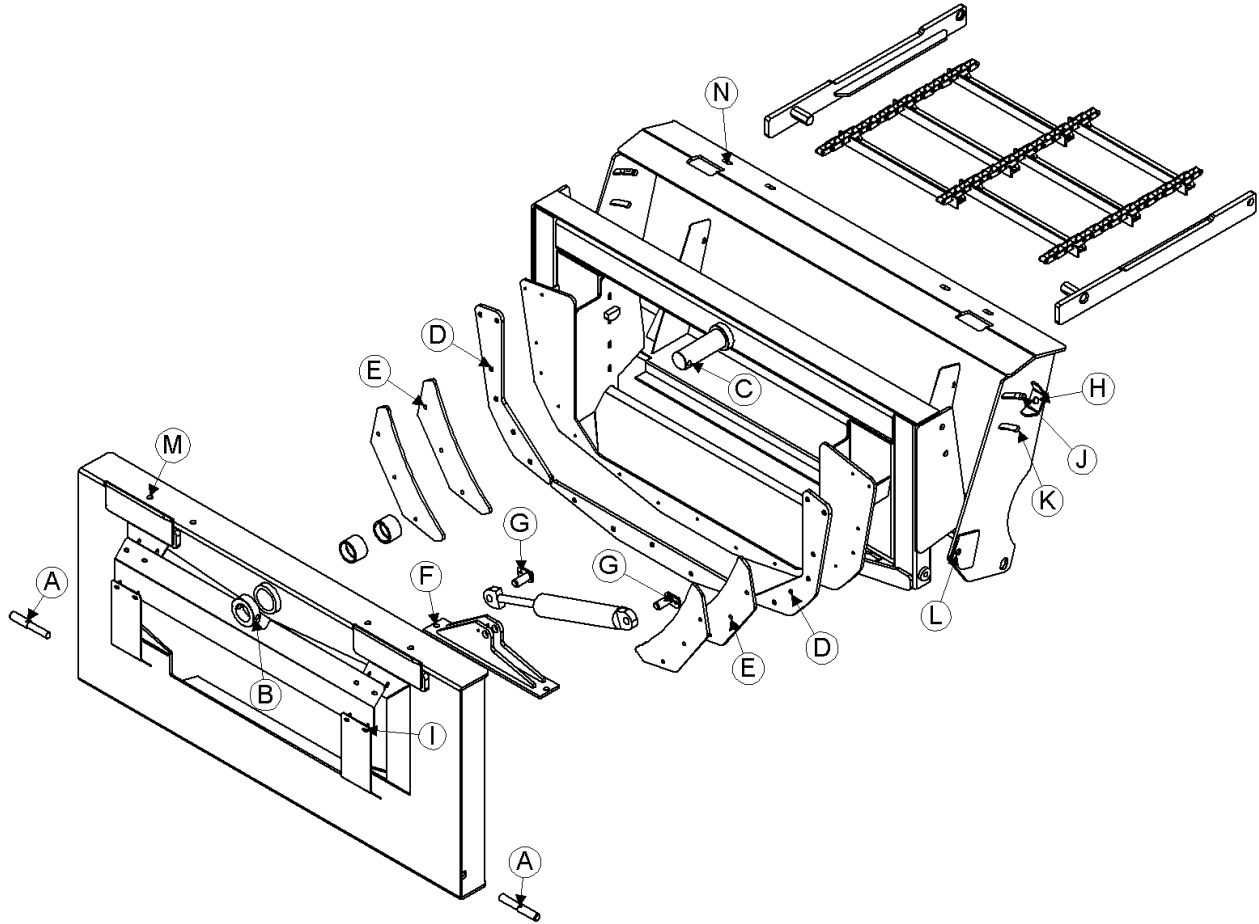
SEE PAGE 2-3 FOR  
TRANSITION FASTENERS

Model 2955S Hillco Leveling System  
For Serial Numbers 2955S-1001 thru 2955S-1004

<b>TRANSITION COMPONENTS</b>				
<b>REF.</b>	<b>PART NO.</b>	<b>QTY.</b>	<b>PART NAME</b>	<b>NOTES</b>
1	LA-253161	1	TA ASM	
2	LA-253221	1	TT ASM, FRONT	
3	LA-253241	1	TT ASM, REAR	
4	HC-138581	1	CYLINDER, SLAVE	<b>**SEE HYDRAULIC PAGE 6-2</b>
5	LA-250711	1	TM ASM, SLV CYL ROD MNT	
6	LA-253881	2	LM ASM, PIN	
7	LP-250551	2	TM UHMW, BACKING WEARPAD	
8	LM-250541	2	TM PLT, BACKING	
9	LM-250571	1	TM UHMW, RIGHT WEARPAD	
10	LM-250561	1	TM UHMW, LEFT WEARPAD	
11	LM-250581	1	TM UHMW, BOTTOM WEARPAD	
12	LTP-241721	2	BUSHING, PIVOT	
13	LM-226841	1	TM COLLAR, PIVOT	
14	LM-229192	2	TM ROD, LOCK	
NS	MC-135531	2	TM SPRING, LOCK PIN	
15	LP-253451	1	TM PLT, TOP SHIELD	
16	LP-250531	2	TM PLT, L&R SHIELD	
17	LM-250591	2	TM RND, EYEBOLT SPACER	
18	LM-254421	1	CHAIN, FEEDER	
19	LA-255681	1	TM ARM ASM, FEEDER DRUM RHT	
20	LA-255671	1	TM ARM ASM, FEEDER DRUM LFT	
<b>FOR ALL COMBINES WITH CONTOUR MASTER FACE PLATE</b>				
NS	LM-254781	1	LM FLAT, CM BAR	INPLACE OF THE CM CYLINDER
NS	LP-254791	2	LM PLATE, FILLER	FLOOR FILLER PLATES

Model 2955S Hillco Leveling System  
For Serial Numbers 2955S-1001 thru 2955S-1004

### **TRANSITION FASTENERS**

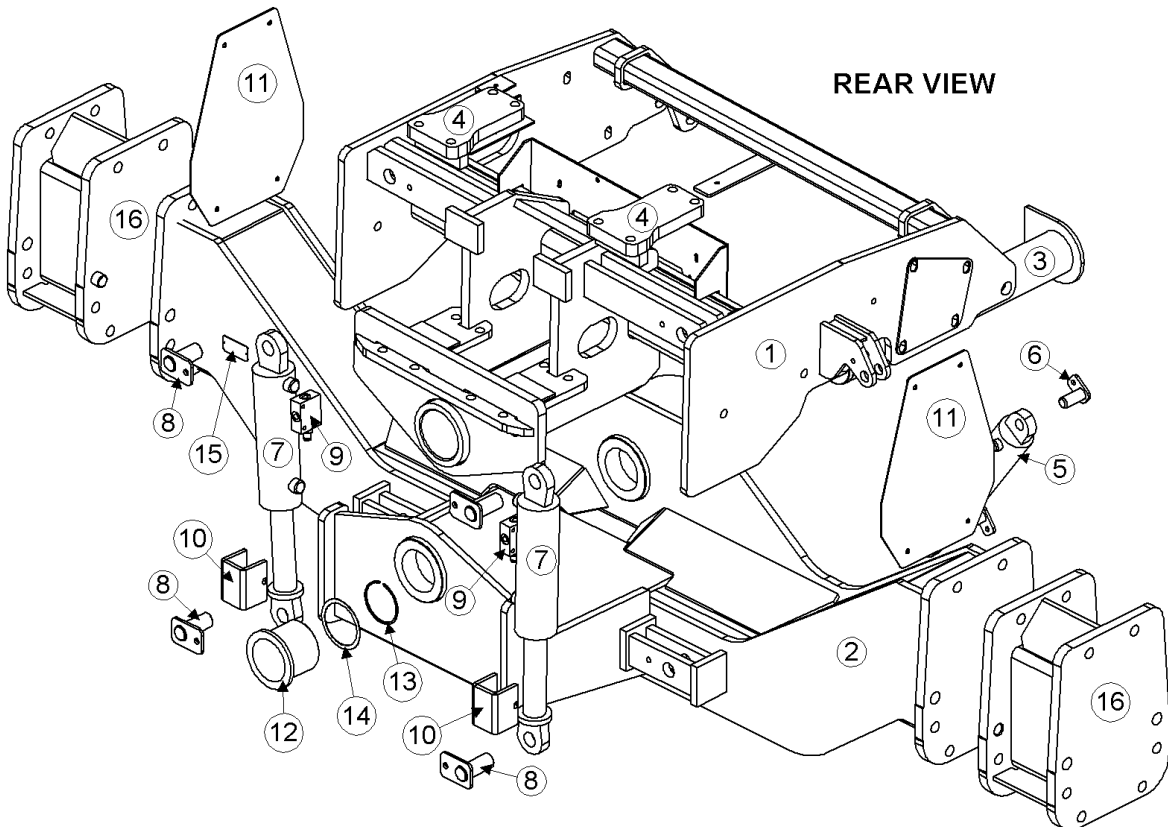
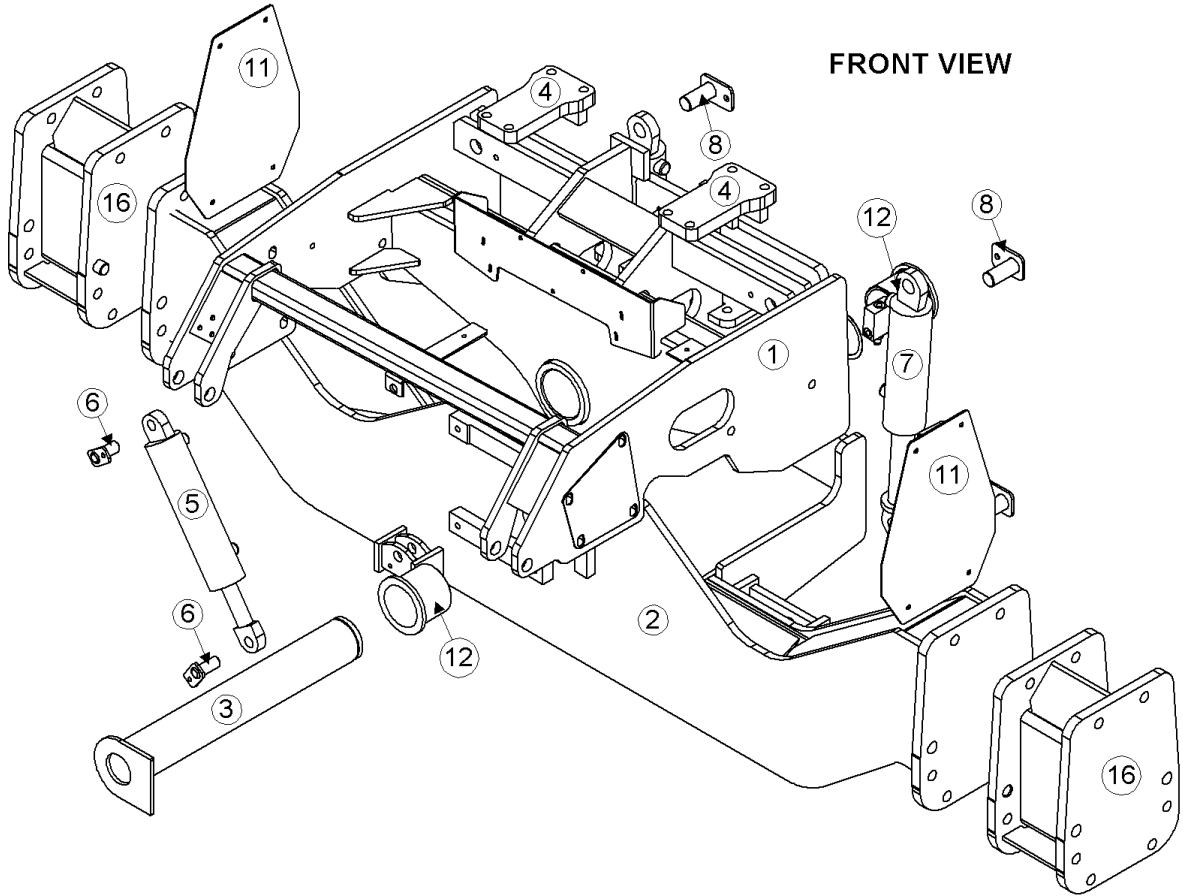




Model 2955S Hillco Leveling System  
For Serial Numbers 2955S-1001 thru 2955S-1004

<b>TRANSITION FASTENERS</b>				
<b>REF.</b>	<b>PART NO.</b>	<b>QTY.</b>	<b>PART NAME</b>	<b>WHERE USED</b>
A	F-HC-10M070E	2	HC-10.9 M10 X 1.5 X 70	LOCK PINS
B	F-HC-16M120E	1	HC-10.9 M16 X 2.00 X 120	MAIN PIVOT PIN COLLAR
B	F-HNS-16ME	1	HN-10.9 M16 X 2.00 STV	MAIN PIVOT PIN COLLAR
C	F-MB-14NR40	4	MACH BUSH 14 GA NR 2-1/2" ID	MAIN PIVOT PIN
D	F-FHS-8M030E	17	FHSC-10.9 M8 X 1.25 X 30	UHMW FACE PLT
D	F-HNS-8ME	17	HN-10.9 M8 X 1.25 STV	UHMW FACE PLT
E	F-HCF-12M040E	6	FLHC-10.9 M12 X 1.75 X 40	BACKING PLTS
F	F-HNF-16ME	2	FLHN-10.9 M16 X 2.00	SLAVE CYL ROD MNT
F	F-HCF-16M040E	2	FLHC-10.9 M16 X 2.00 X 40	SLAVE CYL ROD MNT
G	F-HCF-10M020E	2	FLHC-10.9 M10 X 1.50 X 20	SLAVE CYL MNT PIN
H	F-EYB-16M150F	2	EYEBOLT M16 X 2.00 X 150	THROAT
H	F-HNF-16ME	4	FLHN-10.9 M16 X 2.00	EYEBOLTS ON THROAT
I	F-HNF-08ME	12	FLHN-10.9 M8 X 1.25	SHIELDS
I	F-HCF-8M020E	12	FLHC- 10.9 M8 X 1.25 X 20	SHIELDS
J	F-HCF-16M070E	2	FLHC-10.9 M16 X 2.00 X 70	UPPER SLOT W/ EYEBOLT
K	F-HCF-16M040E	2	FLHC-10.9 M16 X 2.00 X 40	LOWER SLOT
L	F-HCF-20M060E	2	FLHC-10.9 M20 X 2.50 X 60	PIVOT
M	F-HNF-16ME	4	FLHN 10.9 M16 X 2.00	HEADER TOP SPACER PLTS
N	F-HCF-16M040E	4	FLHC-10.9 M16 X 2.00 X 40	TRANSITION MNT
<b>FOR COMBINES WITH CONTOUR MASTER FACE PLATE</b>				
NS	F-HCF-8M020E	4	FLHC- 10.9 M8 X 1.25 X 20	FLOOR FILLER PLATES
NS	F-HNF-08ME	4	FLHN- 10.9 M8 X 1.25	FLOOR FILLER PLATES

### 3 CARRIAGE

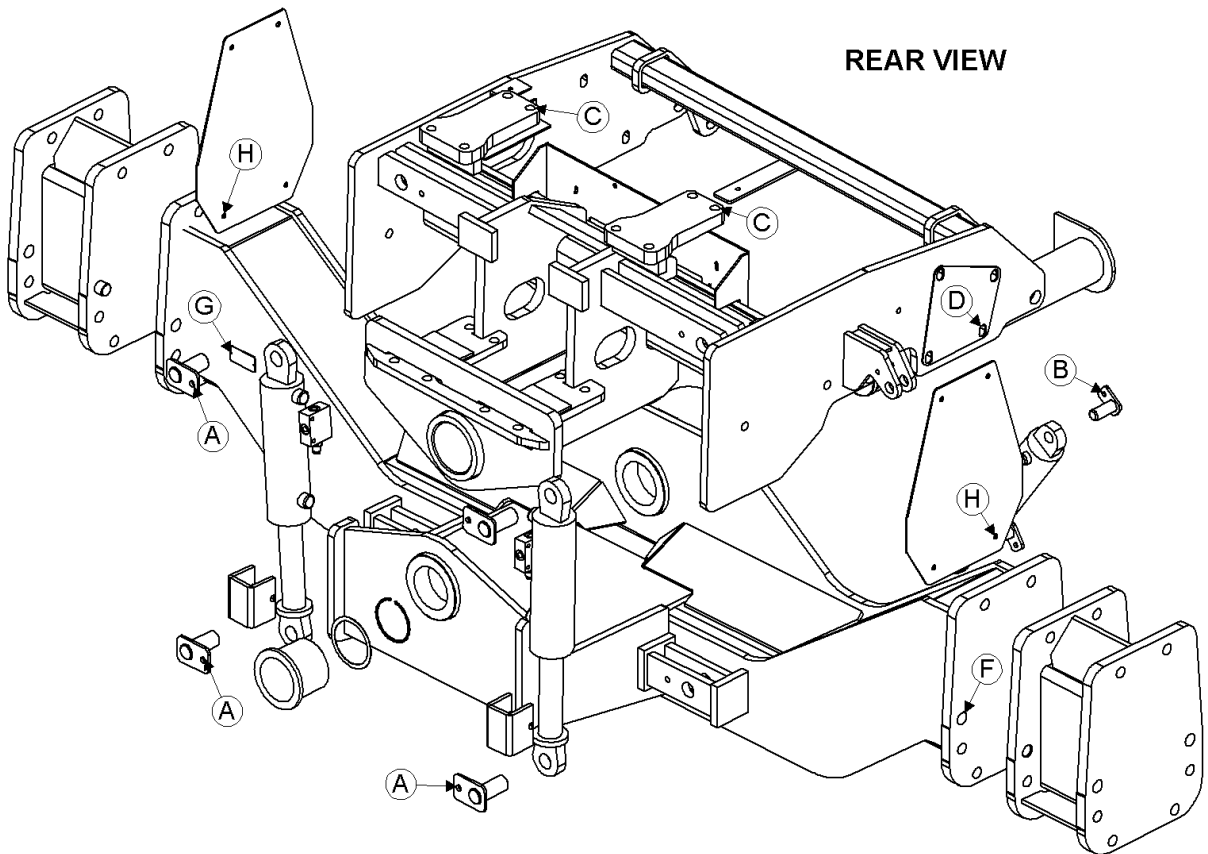
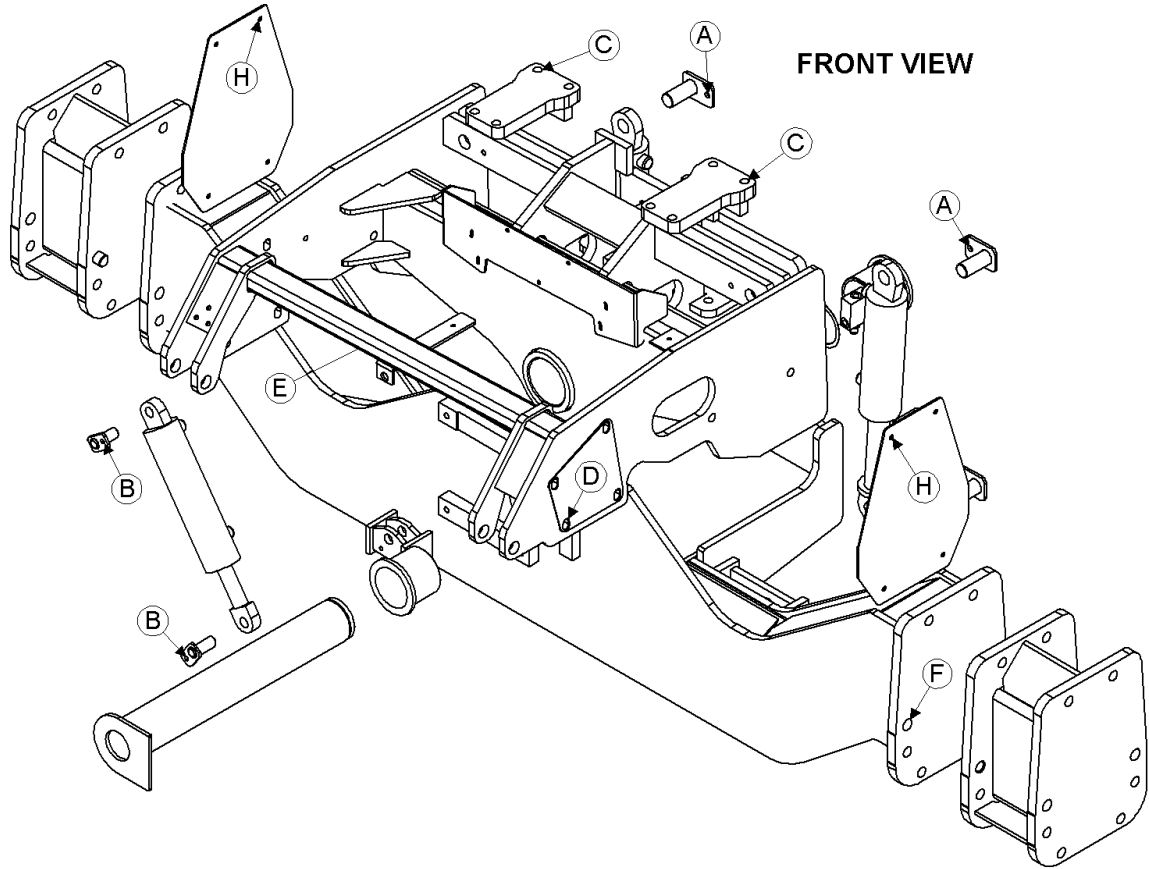


Model 2955S Hillco Leveling System  
For Serial Numbers 2955S-1001 thru 2955S-1004

<b>CARRIAGE COMPONENTS</b>				
<b>REF.</b>	<b>PART NO.</b>	<b>QTY.</b>	<b>PART NAME</b>	<b>NOTES</b>
1	LA-253441	1	CO ASM	
2	LA-253081	1	CU ASM	
3	LA-247481	1	CM ASM, MAIN PVT PIN	
4	LA-235711	2	CM PLATE ASM, TOP	
5	HC-140341	1	CYLINDER, MASTER	**SEE HYDRAULIC PAGE 6-2
6	LA-253881	2	LM ASM, PIN	
7	HC-140311	2	CYLINDER, MAIN LEVELING	**SEE HYDRAULIC PAGE 6-2
8	LA-230551	4	CM PIN ASM, MAIN CYLINDER	
9	HC-138901	2	VALVE, COUNTER BALANCE	**SEE HYDRAULIC PAGE 6-2
10	LP-254431	2	LM PLT, CYL STOP	
11	LP-230241	2	CM CAP, AXLE	
12	LP-247961	2	CM BUSHING, PIVOT	
13	MC-138651	1	SNAP RING 4"	
14	MC-138641	1-4	WASHER 4.016" ID X 4.764" OD X .048"	
15	LA-255971	1	TAG, SERIAL NUMBER	
<b>CARRIAGE OPTIONS</b>				
16	LA-253131	1	LM ASM, 9.25 AXLE EXTENSION KIT	

Model 2955S Hillco Leveling System  
For Serial Numbers 2955S-1001 thru 2955S-1004

### **CARRIAGE FASTENERS**

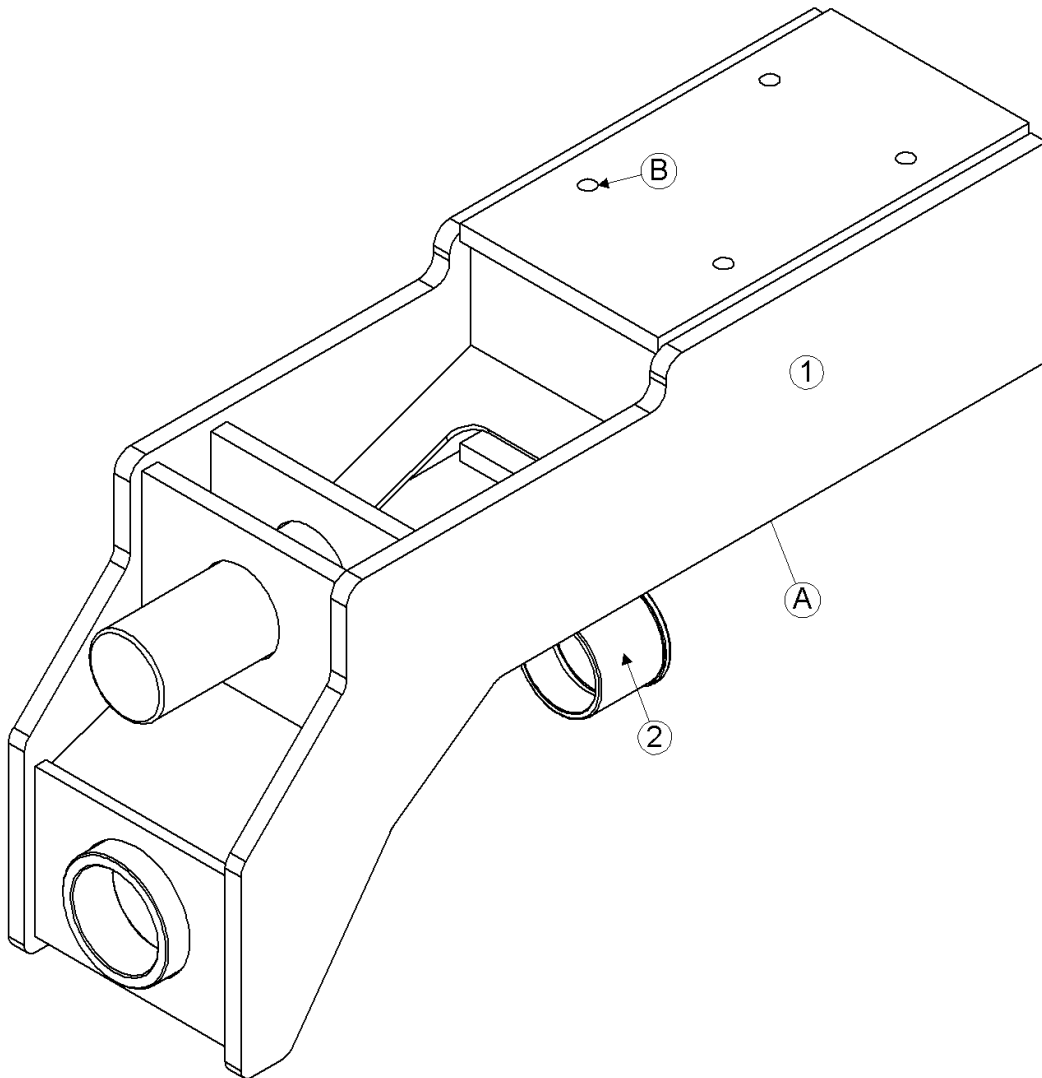


Model 2955S Hillco Leveling System  
For Serial Numbers 2955S-1001 thru 2955S-1004

<b>CARRIAGE FASTENERS</b>				
<b>REF.</b>	<b>PART NO.</b>	<b>QTY.</b>	<b>PART NAME</b>	<b>WHERE USED</b>
A	F-HCF-12M025F	4	FLHC-8.8 M12 X 1.75 X 25	LEVELING CYL MNT PIN
B	F-HCF-10M020E	2	FLHC-10.9 M10 X 1.50 X 20	MASTER CYL MNT PIN
C	F-HC8-12C240	8	HC8 3/4-10 X 15	OVERCARRIAGE CLAMP
C	F-HNS-12C	8	HN8 3/4-10 STV	OVERCARRIAGE CLAMP
D	F-HC-16M110E	8	HC-10.9 M16 X 2.00 X 110	OVERCARRIAGE FRONT
D	F-FWHD-10	8	FW 5/8 HD	OVERCARRIAGE FRONT
E	F-HCF-16M055E	4	FLHC-10.9 M16 X 2.00 X 55	TRANSMISSION
F	F-SHC-24M080E	4	SHCS 10.9-M24 X 3 X 80 ZINC	FINAL
G	F-UDS-#7X06	2	SCREW, U-DRIVE #7 X 3/8	SERIAL NUMBER PLATE
H	F-HCF-10M040E	8	FLHC-10.9 M10 X 1.50 X 40	ORIGINAL AXLE COVER
H	F-HNF-10ME	8	FLHN-10.9 M10 X 1.50	ORIGINAL AXLE COVER
H	F-FWF-06020	8	3/8 FW FENDER X 1-1/4	ORIGINAL AXLE COVER
NS	F-UDS-#4X03	2	SCREW, U-DRIVE #4 X 3/16	HYDRO MOTOR PART# TAG

Model 2955S Hillco Leveling System  
For Serial Numbers 2955S-1001 thru 2955S-1004

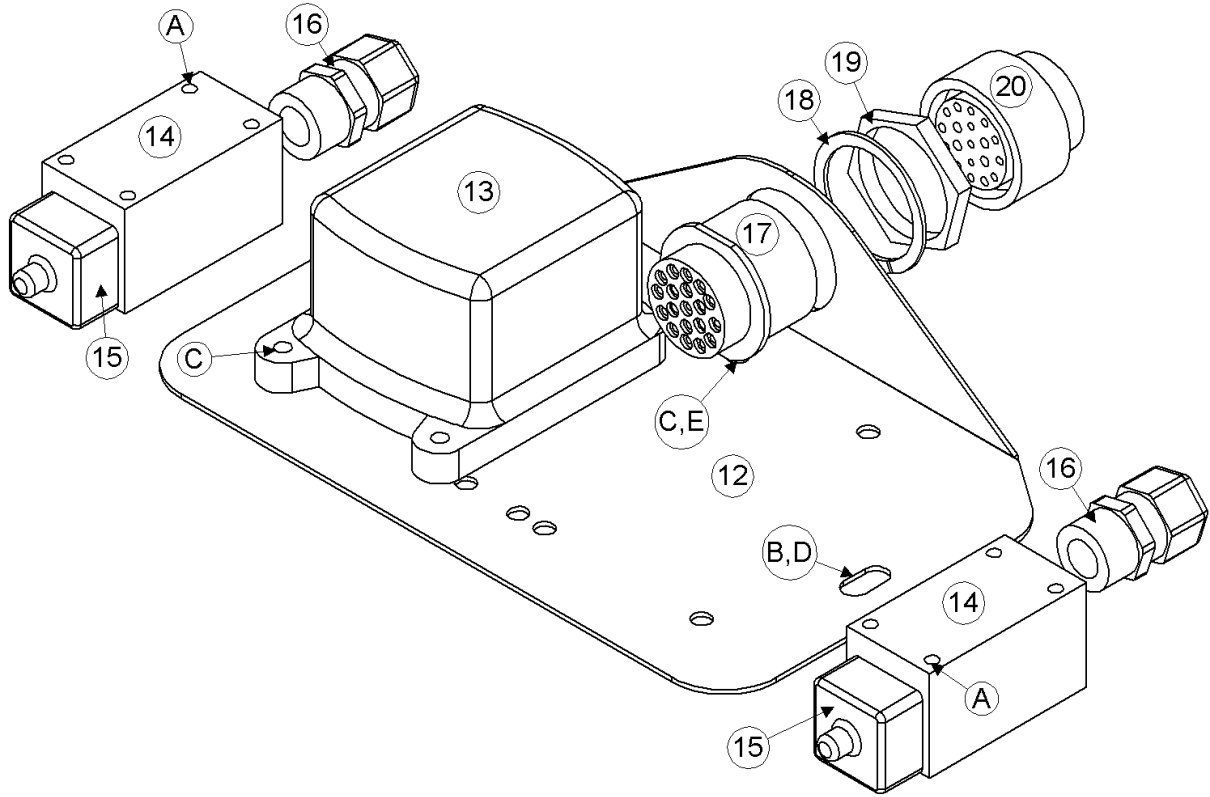
### 4 **DROP AXLE**



Model 2955S Hillco Leveling System  
For Serial Numbers 2955S-1001 thru 2955S-1004

<b>DROP AXLE COMPONENTS</b>				
<b>REF.</b>	<b>PART NO.</b>	<b>QTY.</b>	<b>PART NAME</b>	<b>NOTES</b>
1	LA-246701	1	DA ASM	
2	LP-235092	1	LM BUSHING, DA PIVOT	
<b>DROP AXLE FASTENERS</b>				
<b>REF.</b>	<b>PART NO.</b>	<b>QTY.</b>	<b>PART NAME</b>	<b>WHERE USED</b>
A	F-HC-16M250E	4	HC-10.9 M16 X 2.00 X 250	DROP AXLE
A	F-HNS-16ME	4	HN-10.9 M16 X 2.00 STV	DROP AXLE
B	F-HC-16M050E	4	HC-10.9 M16 X 2.00 X 50	DROP AXLE
B	F-HNS-16ME	4	HN-10.9 M16 X 2.00 STV	DROP AXLE

## 5 ELECTRICAL CONTROL AND CAB CONTROL ASSEMBLIES





Model 2955S Hillco Leveling System  
For Serial Numbers 2955S-1001 thru 2955S-1004

<b>ELECTRICAL CONTROLLER COMPONENTS</b>				
<b>REF.</b>	<b>PART NO.</b>	<b>QTY.</b>	<b>PART NAME</b>	<b>NOTES</b>
1	LP-249121	1	EM PLATE, MAIN CONTROL	
2	EC-100002	1	LEVELING CONTROLLER, LOW SPEED	
3	EC-100557	2	BODY, LIMIT SWITCH	
4	EC-100692	2	HEAD, LIMIT SWITCH STRAIGHT PLUNGER	
5	EC-138781	2	STRAIN RELIEF, NYLON, BLK, 1/2 NPT	
6	EC-138751	1	DEUTSCH, RECEPTICAL	
7	EC-138771	1	DEUTSCH, PANEL LOCK WASHER	
8	EC-138761	1	DEUTSCH, PANEL NUT	
9	EC-138741	1	DEUTSCH PLUG	
<b>ELECTRICAL FASTENERS</b>				
<b>REF.</b>	<b>PART NO.</b>	<b>QTY.</b>	<b>PART NAME</b>	<b>WHERE USED</b>
A	F-PHM-#10C28	4	PHMS 10-24 X 1-3/4	
A	F-HNF-#10C	4	HN 10-24, FLNG SERR	
B	F-THMS-06C16	2	THMS 3/8-16 X 1, SLT SERR	
B	F-HNF-06C	2	HN 3/8-16, FLNG SERR	
C	F-THMS-04C08	4	THMS 1/4-20 X 1/2, SLT SERR	
C	F-HNF-04C	4	FLHN 1/4-20 SERR	
D	F-SW-06	2	WASHER, STAR 3/8"	
E	F-SW-04	1	WASHER, STAR 1/4"	
<b>ELECTRICAL CONNECTORS</b>				
<b>REF.</b>	<b>PART NO.</b>	<b>QTY.</b>	<b>PART NAME</b>	<b>NOTES</b>
NS	EC-100164	17	PIN, ELECTRICAL	
NS	EC-100628	8	PLUG, SEALING 18 GA	
NS	ET-ST-2004	3	TERMINAL RING 1/4 20 GA	
NS	EC-100165	17	SOCKET, ELECTRICAL	
NS	ET-ST-20#6	13	TERMINAL RING #6 20 GA	
NS	ET-SP-20	4	TERMINAL FEMALE SPADE 20 GA	

Model 2955S Hillco Leveling System  
For Serial Numbers 2955S-1001 thru 2955S-1004

**ELECTRICAL CABLES**



**#1** LA-254481 EM CABLE  
ASM, LIMIT SWITCH



**#2** LA-252471 EM ASM,  
MAIN LEVELING HARNESS

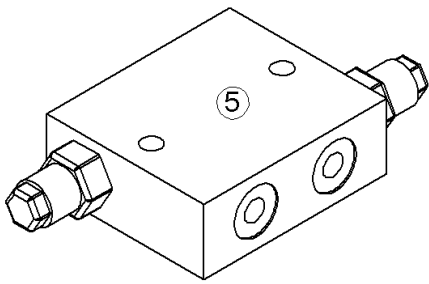
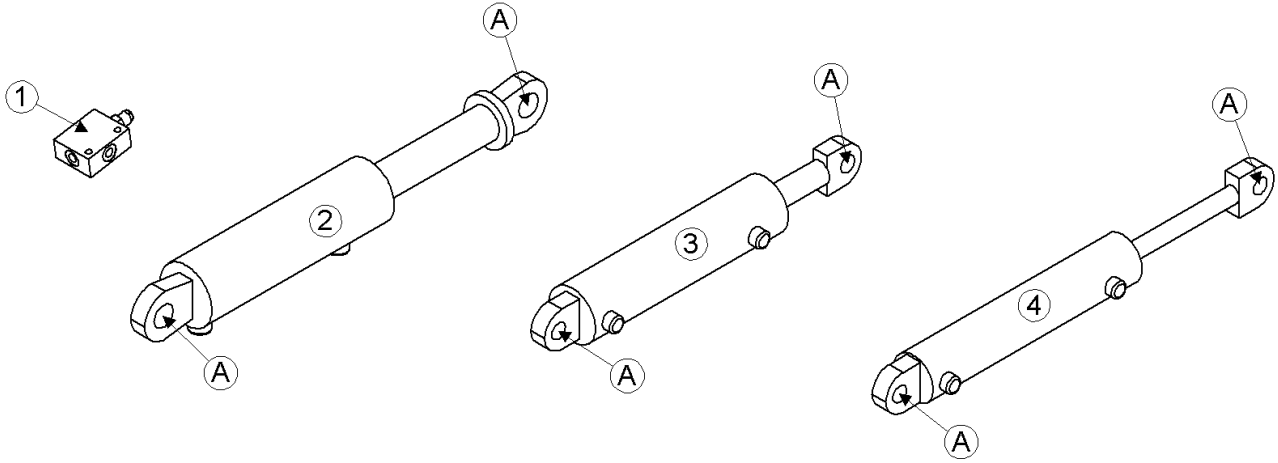


**#3** LA-248451 EM CABLE ASM,  
JD STACK VALVE

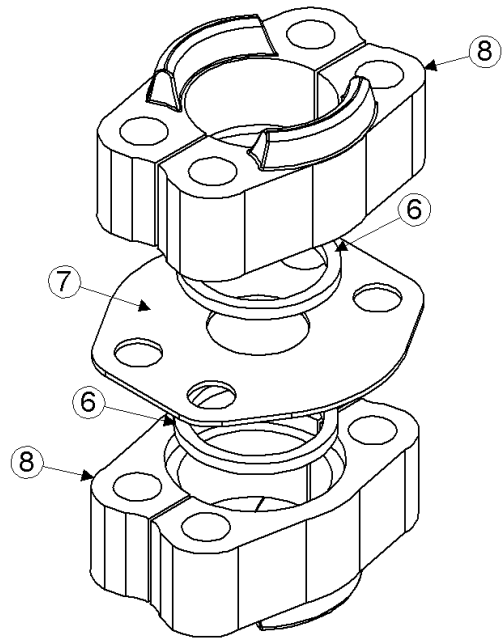
Model 2955S Hillco Leveling System  
For Serial Numbers 2955S-1001 thru 2955S-1004

<b>CABLES ASSEMBLIES</b>				
<b>REF.</b>	<b>PART NO.</b>	<b>QTY.</b>	<b>PART NAME</b>	<b>NOTES</b>
1	LA-254481	1	EM CABLE ASM, LIMIT SWITCH	
2	LA-252471	1	EM ASM, MAIN LEVELING HARNESS	
3	LA-248451	1	EM CABLE ASM, JD STACK VALVE	

## 6 HYDRAULICS



MANIFOLD, RELIEF VAVLE

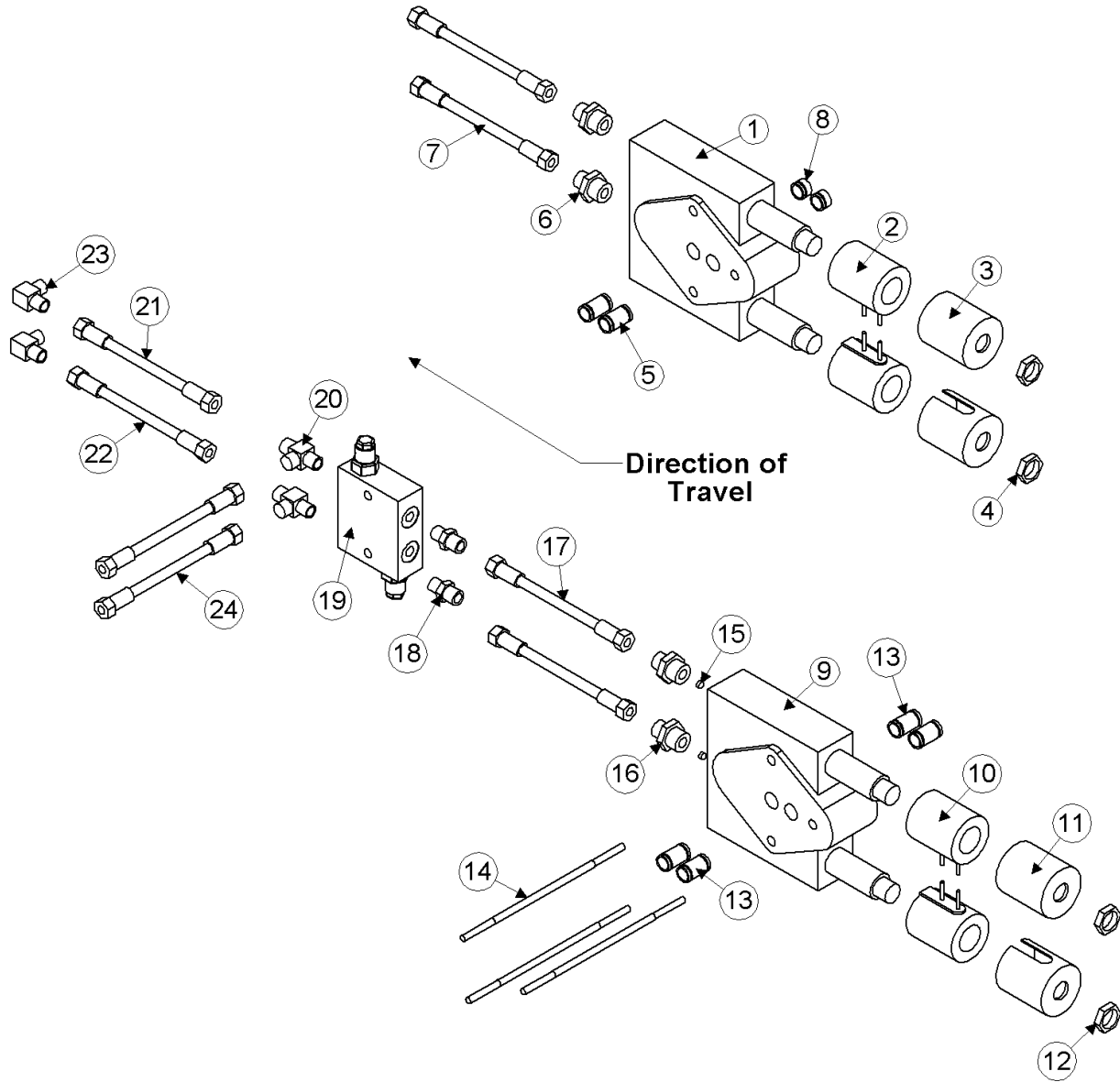


CODE 62 SPLIT FLANGE  
CONNECTOR KIT  
ASSEMBLY WITH O-RINGS

Model 2955S Hillco Leveling System  
For Serial Numbers 2955S-1001 thru 2955S-1004

<b>HYDRAULIC COMPONENTS</b>				
<b>REF.</b>	<b>PART NO.</b>	<b>QTY.</b>	<b>PART NAME</b>	<b>DESCRIPTION</b>
1	HC-138901	2	VALVE, COUNTER BALANCE	
..	HC-139161	2	CARTRIDGE, COUNTERBALANCE VALVE	
..	HC-139171	2	BODY, COUNTERBALANCE VALVE	
NS	HC-140361	2	SEAL KIT, COUNTERBALNCE VALVE	
2	HC-140311	2	CYLINDER, MAIN LEVELING	
NS	HC-139271	2	SEAL KIT, MAIN LEVELING CYLINDER	
3	HC-140341	1	CYLINDER, MASTER	
NS	HC-134201	1	SEAL KIT, MASTER LEVELING CYLINDER	
4	HC-138581	1	CYLINDER, SLAVE	
NS	HC-141281	1	SEAL KIT, SLAVE CYLINDER	
5	HC-138691	1	MANIFOLD, RELIEF VAVLE	
NS	HC-141351	2	CARTRIDGE, RELIEF VALVE	
NS	HC-141361	1	SEAL KIT, RELIEF VALVE	
<b>CODE 62 SPLIT FLANGE CONNECTOR KIT ASSEMBLY WITH O-RINGS</b>				
<b>REF.</b>	<b>PART NO.</b>	<b>QTY.</b>	<b>PART NAME</b>	<b>DESCRIPTION</b>
ASM	HC-101843	2	CODE 62 SLT FLNG CONNECTOR KIT WITH O-RINGS	
<b>ONE HC-101843 KIT INCLUDES:</b>				
6	HC-134911	3	O-RING, CODE 62 CONNECTOR (SQUARE)	
7	HC-137891	1	PLATE, CODE 62	
8	HC-137901	2	CODE 62, #16 SPLIT FLNG KIT (PAIR)	
NS	F-HC8-07C28	4	HC8 7/16 X 1-3/4 PLT	
NS	F-LW-O7	4	LW 7/16 PLT	
<b>HYDRAULIC FASTENERS</b>				
<b>REF.</b>	<b>PART NO.</b>	<b>QTY.</b>	<b>PART NAME</b>	<b>WHERE USED</b>
A	F-SSS-04F04	8	SET SCREW, SOCKET 1/4-28 X 1/4, GRADE 8	ALL CYLINDERS

Model 2955S Hillco Leveling System  
For Serial Numbers 2955S-1001 thru 2955S-1004  
**LEVELING AND HEADER TILT VALVES**



Model 2955S Hillco Leveling System  
For Serial Numbers 2955S-1001 thru 2955S-1004

<b>LEVELING VALVE</b>				
<b>REF.</b>	<b>PART NO.</b>	<b>QTY.</b>	<b>PART NAME</b>	<b>NOTES</b>
1	HC-136511	1	LATERAL TILT VALVE	
2	HC-136561	2	COILS	
3	HC-136571	2	COIL COVERS	
4	HC-136581	2	COIL COVER NUTS	
5	HC-136551	2	SHORT THROUGH TUBES	
6	HA-S-6MF8MO	2	#6 MORS X #8 MORB ADAPTER	
7	LA-139101	2	3/8" 100R2 135" #6 FORS X #6 FORS	
8	HC-141491	2	PLUG, TUBE	
<b>HEADER TILT VALVE</b>				
<b>REF.</b>	<b>PART NO.</b>	<b>QTY.</b>	<b>PART NAME</b>	<b>NOTES</b>
9	HC-136511	1	LATERAL TILT VALVE	
10	HC-136561	2	COILS	
11	HC-136571	2	COIL COVERS	
12	HC-136581	2	COIL COVER NUTS	
13	HC-136551	4	SHORT THROUGH TUBES	
14	LP-248471	3	ALL THREAD B7, 1/4-20 X 15.625	
15	LM-254541	2	HM ORIFICE, TRIM VALVE (DRILLED TO .040 )	
16	HA-S-4MF8MO	2	#4 MORS X #8 MORB ADAPTER	
17	LA-139111	2	1/4" 100R2 83-1/2" #4 FORS X #4 FORS	
18	HA-S-4MF4MO	2	#4 MORB X #4 MORS STR	
19	HC-138691	1	MANIFOLD, RELIEF VALVE	SEE PAGE 6-2 FOR DETAILS
20	HA-T-4MF4MO	2	#4 MORB X #4 MORS STR THREAD RUN TEE	
21	LA-139131	1	1/4" 100R2 216" #4 FORS X #4 FORS	SLAVE CYLINDER ROD TO RELIEF VALVE #2
22	LA-139121	1	1/4" 100R2 202-1/2" #4 FORS X #6 FORS	SLAVE CYLINDER BASE TO RELIEF VALVE #1
23	HA-L-4MF6MO	2	#4 MORS X #6 MORB 90°	SLAVE CYLINDER
24	LA-139141	1	1/4" 100R2 114-1/2" #4 FORS X #4 FORS	RELIEF VALVE #1 TO MASTER BASE
24	LA-139141	1	1/4" 100R2 114-1/2" #4 FORS X #4 FORS	RELIEF VALVE #2 TO MASTER ROD

Model 2955S Hillco Leveling System  
 For Serial Numbers 2955S-1001 thru 2955S-1004

**HYDRAULIC HOSES**

REF.	PART NO.	QTY.	PART NAME	WHERE USED
<b>LEVELING</b>				
NS	LA-141081	2	3/8" 100R2 31" #6 FORS X #6 FORS	LEFT OR RIGHT POCV#2 TO RIGHT/LEFT ROD FRONT
NS	LA-141091	2	1/4" 100R2 30" #6 FORS 90° X #6 FORS	LEFT OR RIGHT POCV#3 TO RIGHT/LEFT ROD REAR
NS	LA-141101	1	1/4" 100R2 120-1/2" #4 FORS X #4 FORS	RELIEF VALVE #2 TO MASTER ROD
<b>TRIM</b>				
NS	LA-141101	2	1/4" 100R2 120-1/2" #4 FORS X #4 FORS	RELIEF VALVE TO MASTER
<b>GREASE</b>				
NS	LA-138961	2	3/16" R1 GREASE HOSE 78-1/2" 1/8 MPT X 1/8 MPT	MAIN PVT TO BH #1/RH MAIN BASE EO BH#2
NS	LA-141111	1	3/16" R1 GREASE HOSE 96-1/2" 1/8 MPT X 1/8 MPT	LH MAIN LEV CYL BASE TO BH #3
<b>HYDROSTAT</b>				
NS	LA-141271	2	1" 100R15 72-1/2" CODE 62 SLT FLNG 180° X CODE 62 SPLT FLNG STR	HYDROSTAT FRONT & REAR
NS	LA-140391	1	1" 100R15 58" CODE 62 SLT FLNG 180° X CODE 62 SPLT FLNG STR	HYDROSTAT REAR
NS	LA-140401	1	3/4" 100R1 HOSE 38-1/2" #12 MORS X #12 FORS 45°	HYDRO MOTOR CASE DRAIN
<b>BRAKES</b>				
NS	LA-130371	2	1/4" TITFLEX 31" #4 FORS X #4 MORS	LEFT AND RIGHT BRAKE HOSES
NS	HA-133131	2	TEFLON O-RING	BRAKE HOSES



Model 2955S Hillco Leveling System  
 For Serial Numbers 2955S-1001 thru 2955S-1004

**HYDRAULIC ADAPTERS**

REF.	PART NO.	QTY.	PART NAME	WHERE USED
<b>MAIN CYLINDER ADAPTERS</b>				
NS	HA-L-6MF6MO	4	#6 MORS X #6 MORB 90°	POCV #2,#3 LEFT & RIGHT
NS	HA-K-6MF6MO	2	#6 MORB X #6 MORS BRANCH TEE	LEFT AND RIGHT LEV CYL ROD
NS	HA-L-6MO6MO	2	# 6 MORB X #6 MORB 90°	POCV #1 LEFT AND RIGHT LEV CYL BASE
NS	HA-M-6FF6MF	2	#6 FORS X #6 MORS SWIVEL NUT RUN TEE	LEFT MAIN LEV CYL ROD/ LEFT POCV #2
NS	HA-L-6FF6MF	1	#6 FORS X #6 MORS 90°	RIGHT LEV CYL ROD
NS	HA-S-6FO8MO	4	#8 MORB X #6 FORB STR	ALL MAIN LEV CYL PORTS
NS	HA-L-6FF6MF	1	#6 MORS X #6 FORS 90°	RIGHT LOWER POCV #2
<b>MASTER CYLINDER ADAPTERS</b>				
NS	HA-L-4MF6MO	2	#4 MORS X #6 MORB 90°	MASTER CYLINDER ROD AND BASE
<b>GREASE FITTINGS ADAPTERS</b>				
NS	HA-S-2FP2MN	3	1/8" NPSM X 1/8" FPT BULKHEAD CONNECTOR	GREASE BULKHEAD MOUNT
NS	HA-NJ-2FN	3	1/8" NPSM BULKHEAD LOCKNUT	BULKHEAD CONNECTOR
NS	HC-138011	3	1/4-28 STRAIGHT ZERK	ALL GREASE LINES
NS	HA-L-2FP2MP	1	1/8 NPT 90 STREET EL	MAIN PIVOT PIN
NS	HC-135771	2	1/4-28 MALE X 1/8 FPT 90°	MASTER CYLINDER BASE, MAIN LEV CYL BASE
NS	HC-133891	1	1/8 NPT STRAIGHT ZERK	DROP AXLE

Model 2955S Hillco Leveling System  
For Serial Numbers 2955S-1001 thru 2955S-1004

**7 MISCELLANEOUS**

<b>DECALS, LITERATURE AND HOSE CLAMPS</b>				
<b>DECALS AND LITERATURE</b>				
<b>REF.</b>	<b>PART NO.</b>	<b>QTY.</b>	<b>PART NAME</b>	<b>DESCRIPTION</b>
NS	LL-141301	2	DECAL, HILLCO SIDEHILL	
NS	LL20-100782	1	CAUTION LEVELING SYSTEM CAB	
NS	LL20-100783	4	DANGER, CRUSHING HAZARD	4-RT & LT UC (FRONT AND BACK)
NS	LL20-100786	1	WARNING, ELECTRONIC CRUSHING HAZARD	UNDERCARRIAGE FRONT
NS	LL20-100788	2	DANGER HYDRAULIC HAZARD	1- EA MAIN CYLINDER (INST)
NS	LL20-100783	4	DANGER CRUSHING HAZARD	2- R&L UNDERCARRIAGE
NS	LL-133741	2	LABEL, GREASE 50 HRS	REAR AXLE, LEFT AND RIGHT
NS	LL-133741	1	LABEL, GREASE 50 HRS	OC BULKHEAD
NS	LL-133741	1	LABEL, GREASE 50 HRS	RH TRANS SIDE PLT
NS	LL-133741	2	LABEL, GREASE 50 HRS	MAIN LEV CYL BOTTOM (RH & LH)
NS	LL-133741	1	LABEL, GREASE 50 HRS	MASTER CYLINDER ROD
NS	LL-138441	1	LABEL, CAB CONTROL	CAB CONTROL BOX
NS	LA-255961	1	TAG, SERIAL NUMBER PLATE	REAR OF UNDERCARRIAGE
NS	LL-140811	2	DECAL, SIDEHILL FEEDER DRUM POSITION	
NS	D-051230ADL01	1	MANUAL, PARTS	
<b>HOSE CLAMPS AND FASTENERS</b>				
NS	F-HCF-08M090F	2	FLHC-8.8 M8 X 1.25 X 90	BEHRINGER CLAMP FOR HYDRO HOSES
NS	F-HNF-08MF	2	FLHN-8.8 M8 X 1.25	BEHRINGER CLAMP FOR HYDRO HOSES
NS	MC-137521	2	TANDEM CLAMPING HALVES BEHRINGER (PAIR)	HYDROSTAT HOSES
NS	MC-137531	2	COVER PLATE W/ 5/16" HOLE (BEHRINGER)	HYDROSTAT HOSES
NS	HC-139201	2	CLAMP, 1" BERINGER HD (PAIR)	HYDRO STEEL LINES
NS	HC-139211	2	CLAMP, WELD PLATE FOR 1" BERINGER	HYDRO STEEL LINES
NS	HC-139221	1	CLAMP, 1/4" TUBE TANDEM (PAIR)	BRAKE LINES
NS	HC-139231	2	CLAMP, COVER PLATE FOR 1/4" TUBE CLAMP	BRAKE LINES
NS	HC-139191	2	ABRASION SLEEVE, NYLON -- 2.19" ID X 60"	JD HYDRO HOSES
NS	HC-248991	1	HM TUBE, HYDRO FRONT	
NS	HC-249001	1	HM TUBE, HYDRO REAR	
NS	F-HCF-8M050E	1	FLHN-10.9 M8 X 1.25 X 50	BRAKELINE CLAMP
NS	F-HNF-08ME	1	FLHN-10.9 M8 X 1.25	BRAKELINE CLAMP
NS	F-HNN-05C	2	HN5 5/16-18 NYLOCK	BRAKE CABLES

Model 2955S Hillco Leveling System  
For Serial Numbers 2955S-1001 thru 2955S-1004

**8 PART NUMBER INDEX**

PART NUMBER	PAGE NUMBER	PART NUMBER	PAGE NUMBER	PART NUMBER	PAGE NUMBER
D-051230ADL01	7-1	F-UDS-#7X06	3-4	LA-141081	6-5
EC-100002	5-2	HA-133131	6-5	LA-141091	6-5
EC-100164	5-2	HA-K-6MF6MO	6-6	LA-141101	6-5
EC-100165	5-2	HA-L-2FP2MP	6-6	LA-141111	6-5
EC-100557	5-2	HA-L-4MF6MO	6-4, 6-6	LA-141271	6-5
EC-100628	5-2	HA-L-6FF6MF	6-6	LA-230551	3-2
EC-100692	5-2	HA-L-6MF6MO	6-6	LA-235711	3-2
EC-138741	5-2	HA-L-6MO6MO	6-6	LA-246701	4-2
EC-138751	5-2	HA-M-6FF6MF	6-6	LA-247481	3-2
EC-138761	5-2	HA-NJ-2FN	6-6	LA-248451	5-4
EC-138771	5-2	HA-S-2FP2MN	6-6	LA-250711	2-2
EC-138781	5-2	HA-S-4MF4MO	6-4	LA-252471	5-4
ET-SP-20	5-2	HA-S-4MF8MO	6-4	LA-253081	3-2
ET-ST-20#6	5-2	HA-S-6FO8MO	6-6	LA-253131	3-2
ET-ST-2004	5-2	HA-S-6MF8MO	6-4	LA-253161	2-2
F-EYB-16M150F	2-4	HA-T-4MF4MO	6-4	LA-253221	2-2
F-FHS-8M030E	2-4	HC-101843	6-2	LA-253241	2-2
F-FWF-06020	3-4	HC-133891	6-6	LA-253441	3-2
F-FWHD-10	3-4	HC-134201	6-2	LA-253881	2-2, 3-2
F-HC-10M070E	2-4	HC-134911	6-2	LA-254481	5-4
F-HC-16M050E	4-2	HC-135771	6-6	LA-255671	2-2
F-HC-16M110E	3-4	HC-136511	6-4	LA-255681	2-2
F-HC-16M120E	2-4	HC-136551	6-4	LA-255961	7-1
F-HC-16M250E	4-2	HC-136561	6-4	LA-255971	3-2
F-HC8-07C28	6-2	HC-136571	6-4	LL-138441	7-1
F-HC8-12C240	3-4	HC-136581	6-4	LL-140811	7-1
F-HCF-08M090F	7-1	HC-137891	6-2	LL-141301	7-1
F-HCF-10M020E	2-4, 3-4	HC-137901	6-2	LL20-100782	7-1
F-HCF-10M040E	3-4	HC-138011	6-6	LL20-100783	7-1
F-HCF-12M025F	3-4	HC-138581	2-2, 6-2	LL20-100786	7-1
F-HCF-12M040E	2-4	HC-138691	6-2, 6-4	LL20-100788	7-1
F-HCF-16M040E	2-4	HC-138901	3-2, 6-2	LM-226841	2-2
F-HCF-16M055E	3-4	HC-139161	6-2	LM-229192	2-2
F-HCF-16M070E	2-4	HC-139171	6-2	LM-250541	2-2
F-HCF-20M060E	2-4	HC-139191	7-1	LM-250561	2-2
F-HCF-8M020E	2-4	HC-139201	7-1	LM-250571	2-2
F-HCF-8M050E	7-1	HC-139211	7-1	LM-250581	2-2
F-HNF-#10C	5-2	HC-139221	7-1	LM-250591	2-2
F-HNF-04C	5-2	HC-139231	7-1	LM-254421	2-2
F-HNF-06C	5-2	HC-139271	6-2	LM-254541	6-4
F-HNF-08ME	2-4, 7-1	HC-140311	3-2, 6-2	LM-254781	2-2
F-HNF-08MF	7-1	HC-140341	3-2, 6-2	LP-230241	3-2
F-HNF-10ME	3-4	HC-140361	6-2	LP-235092	4-2
F-HNF-16ME	2-4	HC-141281	6-2	LP-247961	3-2
F-HNN-05C	7-1	HC-141351	6-2	LP-248471	6-4
F-HNS-12C	3-4	HC-141361	6-2	LP-249121	5-2
F-HNS-16ME	2-4, 4-2	HC-141491	6-4	LP-250531	2-2
F-HNS-8ME	2-4	HC-248991	7-1	LP-250551	2-2
F-LW-07	6-2	HC-249001	7-1	LP-253451	2-2
F-MB-14NR40	2-4	LA-130371	6-5	LP-254431	3-2
F-PHM-#10C28	5-2	LA-138961	6-5	LP-254791	2-2
F-SHC-24M080E	3-4	LA-139101	6-4	LTP-241721	2-2
F-SSS-04F04	6-2	LA-139111	6-4	MC-135531	2-2
F-SW-04	5-2	LA-139121	6-4	MC-137521	7-1
F-SW-06	5-2	LA-139131	6-4	MC-137531	7-1
F-THMS-04C08	5-2	LA-139141	6-4	MC-138641	3-2
F-THMS-06C16	5-2	LA-140391	6-5	MC-138651	3-2
F-UDS-#4X03	3-4	LA-140401	6-5		