

Model 2955S
Leveling System
Parts Manual

(SN 2955S-1005 thru 2955S-1019)
(D-050822ADL01B)





TABLE OF CONTENTS

1 GENERAL INFORMATION	1-3
Serial Number Location.....	1-3
Text Format and Illustrations.....	1-3
Abbreviations.....	1-3
Right and Left Identification.....	1-3
Parts Orders.....	1-3
2 TRANSITION	2-1
Transition Fasteners.....	2-3
3 CARRIAGE	3-1
Carriage Fasteners.....	3-3
Emergency Brake Extension.....	3-5
4 DROP AXLE	4-1
5 ELECTRICAL BOX AND CONNECTORS	5-1
Electrical Cables.....	5-3
6 HYDRAULICS	6-1
Leveling and Header Tilt Valves.....	6-3
Hydraulic Hoses.....	6-5
Hydraulic Adapters.....	6-6
7 MISCELLANEOUS	7-1
8 PART NUMBER INDEX	8-1

Model 2955S Hillco Leveling System
For Serial Numbers 2955S-1005 thru 2955S-1019

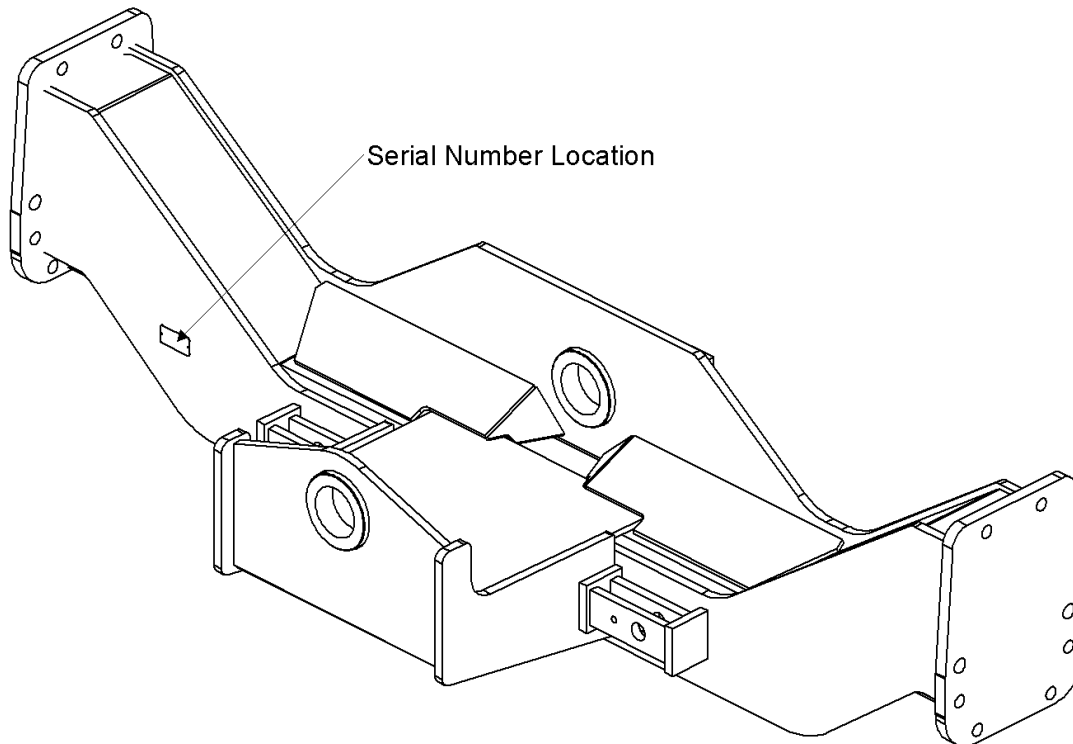
Hillco Technologies, Inc.
107 1st Avenue
Nezperce Id. 83543

Fax	208.937.2280
Phone	208.937.2461
Toll Free	800.937.2461

www.hillcotechnologies.com

1 GENERAL INFORMATION

SERIAL NUMBER LOCATION



TEXT FORMAT AND ILLUSTRATIONS

The arrangement of this parts catalog is for easy identification of parts. All parts are illustrated in exploded views in proper relation to each other. Some diagrams refer to other pages for further information. Reference numbers used in the illustrations refer to line numbers in the part lists. The part lists appear to the right of all diagrams and correspond with those diagrams. Included in the part lists, along with the reference numbers are part numbers, part descriptions and the quantity of the part required per leveling system.

ABBREVIATIONS

SN "Serial Number" The four digits shown in the SN column refer to the last four digits in the Hillco serial number. Each Model 2955S system uses the following format:
2955S-XXXX (sequential numbers).

ASM "Assembly" refers to a whole grouping of parts (usually shown in the diagram corresponding with the page "ASM" is shown).

NS "Not Shown" refers to a part that is not depicted in the illustration.

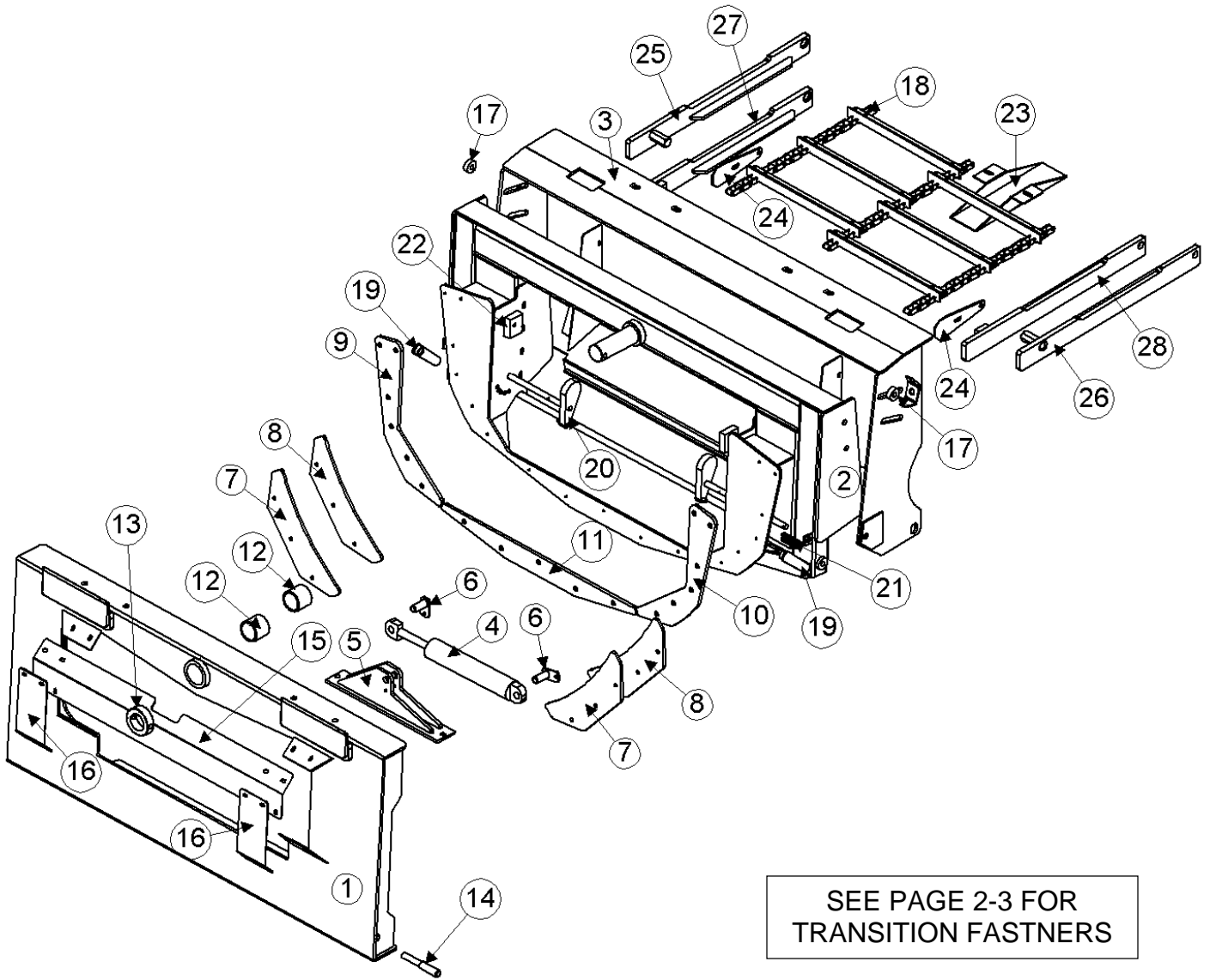
RIGHT AND LEFT IDENTIFICATION

The reference to right-hand and left-hand in this catalog is identified by the operator standing at the rear of the machine looking toward the front of the machine (in normal forward travel).

PARTS ORDERS

Orders must specify product model, serial number, correct part number, complete description, quantity required, method of shipment, shipping address, and billing address.

2 TRANSITION

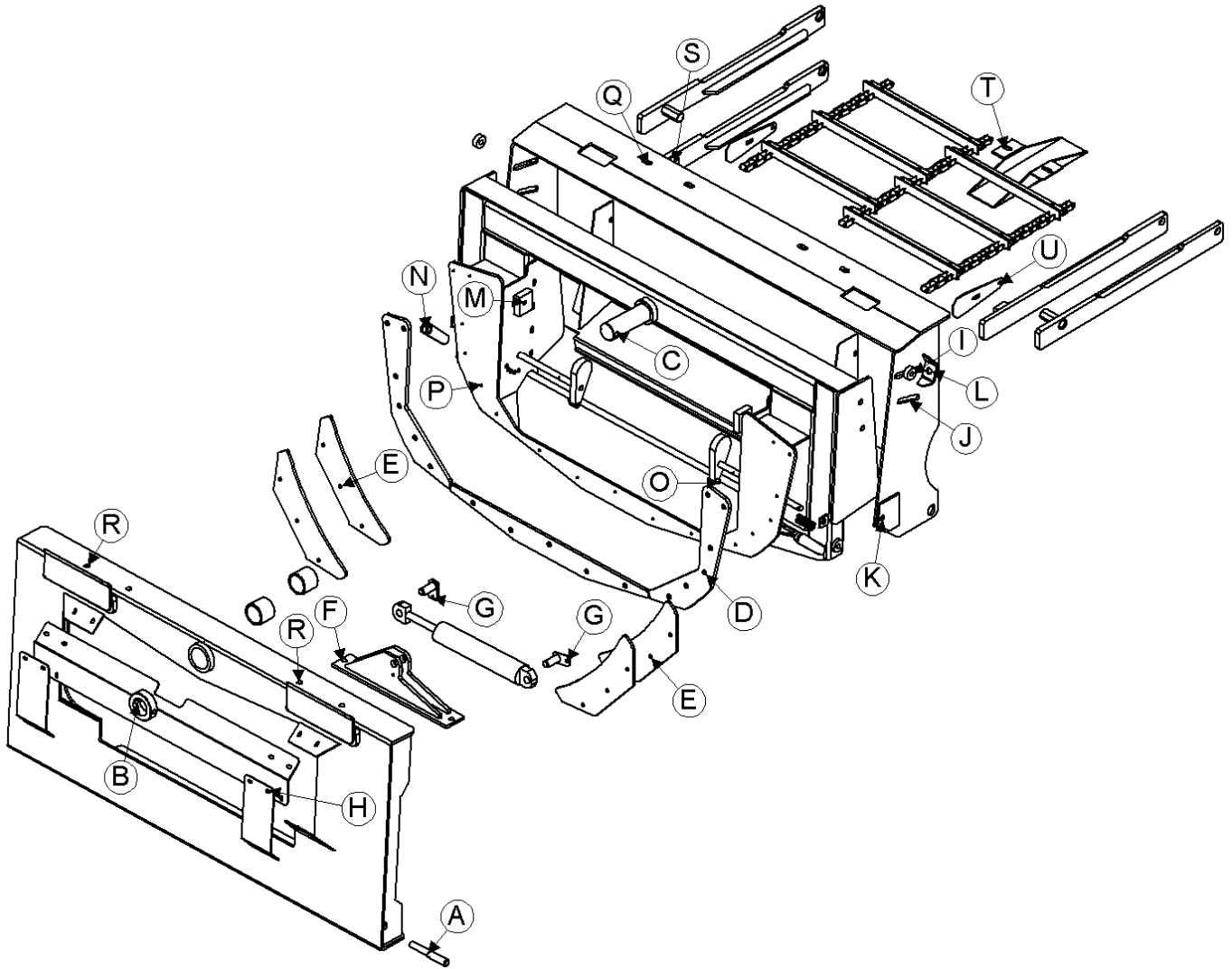


Model 2955S Hillco Leveling System
For Serial Numbers 2955S-1005 thru 2955S-1019

TRANSITION COMPONENTS				
REF.	PART NO.	QTY.	PART NAME	DESCRIPTION
1	LA-253162	1	TA ASM	
2	LA-253222	1	TT ASM, FRONT	
3	LA-253242	1	TT ASM, REAR	
4	HC-138581	1	CYLINDER, SLAVE	**SEE HYDRAULIC PAGE 8-2
5	LA-250712	1	TM ASM, SLV CYL ROD MNT	
6	LA-253882	2	LM ASM, PIN	
7	LP-250551	2	TM UHMW, BACKING WEARPAD	
8	LM-250541	2	TM PLT, BACKING	
9	LM-250571	1	TM UHMW, RIGHT WEARPAD	
10	LM-250561	1	TM UHMW, LEFT WEARPAD	
11	LM-250581	1	TM UHMW, BOTTOM WEARPAD	
12	LTP-241721	2	BUSHING, PIVOT	
13	LM-226841	1	TM COLLAR, PIVOT	
14	LM-229192	2	TM ROD, LOCK	
NS	MC-135531	2	TM SPRING, LOCK PIN	
15	LP-253451	1	TM PLATE, TOP SHIELD	
16	LM-250532	2	TM PLT, LEFT & RIGHT SHIELD	
17	LM-250591	2	TM RND, EYEBOLT SPACER	
18	LM-254421	1	CHAIN, FEEDER	
NS	MC-141331	6	CONNECTING LINK, JD HD CHAIN	
NS	MC-142251	3	OFFSET LINK, JD HD FEEDER CHAIN	
NS	MC-142261	1	S-WIRE KEEPER PINS	
19	LA-256161	2	TM ASM HANDLE ADJUSTER	
20	LA-256201	2	TM ASM LOWER CAM ADJUSTER	
21	MC-142181	1	SPRING, COMPRESSION	
22	LM-255592	2	BAR, UPPER STOP BLOCK	
23	LP-258211	1	SHIELD, TT HOSES	
24	LP-258241	2	PLATE COVER, JD'S ADJUSTER	
FOR ALL COMBINES WITH CONTOUR MASTER				
NS	LM-254781	1	LM FLAT, CM BAR	INPLACE OF THE CM CYLINDER
NS	LP-254791	2	LM PLT, FILLER	FLOOR FILLER PLATES
FOR EARLY 60 SERIES COMBINES WITH SERIAL NUMBERS: 2955S - 1005 TO COMBINE SN 710568				
25	LA-255681	1	TM ARM ASM, FEEDER DRUM RHT	
26	LA-255671	1	TM ARM ASM, FEEDER DRUM LFT	
FOR LATE 60 SERIES COMBINES WITH SERIAL NUMBERS: 2955S - 1005 AND AFTER COMBINE SN 710568 TO CURRENT				
27	LA-256101	1	TM ARM ASM, FEEDER DRUM RHT	
28	LA-256091	1	TM ARM ASM, FEEDER DRUM LFT	

Model 2955S Hillco Leveling System
For Serial Numbers 2955S-1005 thru 2955S-1019

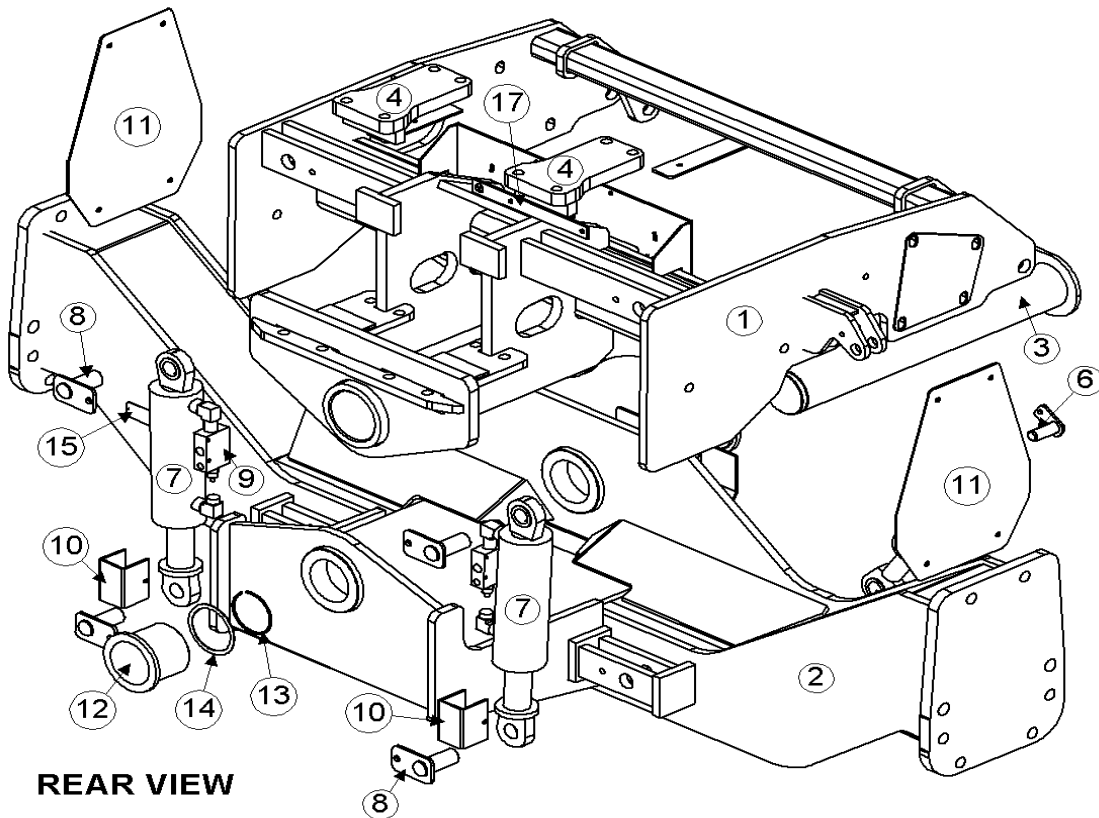
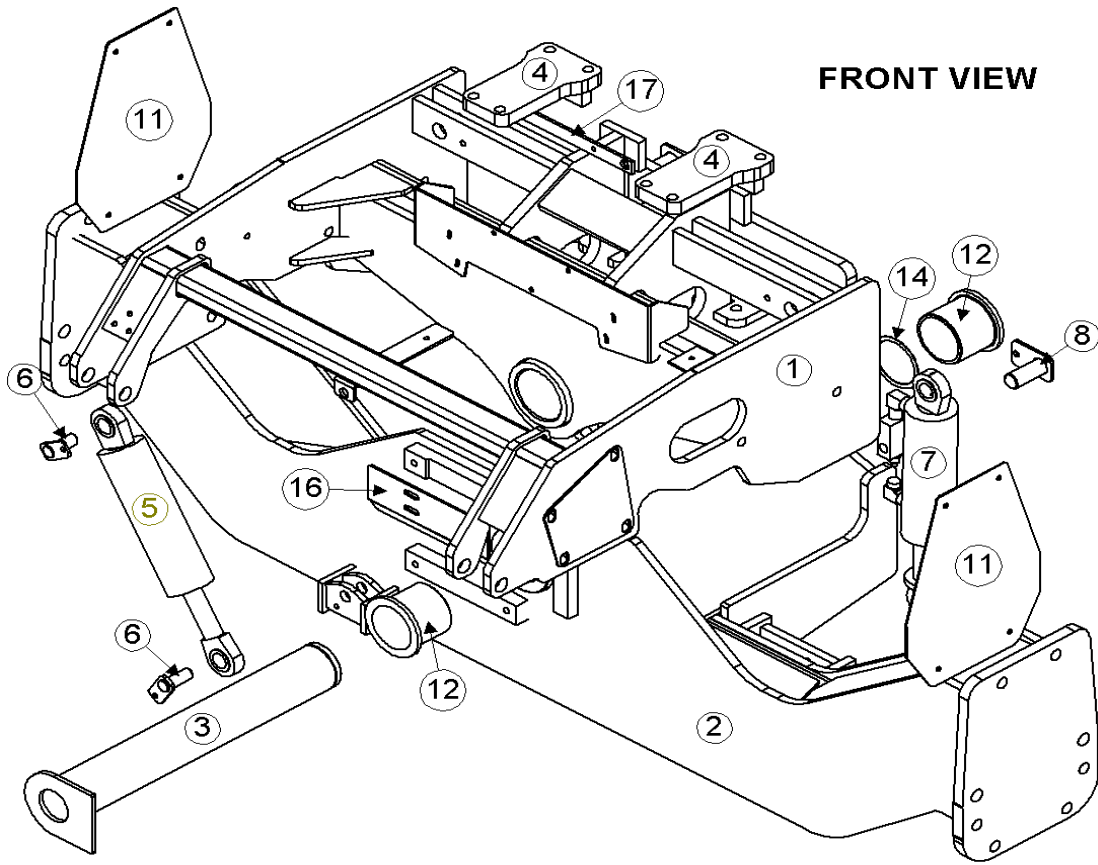
TRANSITION FASTENERS



Model 2955S Hillco Leveling System
For Serial Numbers 2955S-1005 thru 2955S-1019

TRANSITION FASTENERS				
REF.	PART NO.	QTY.	PART NAME	WHERE USED
A	F-HC-10M070E	2	HC-10.9 M10 X 1.5 X 70 PLT	HEADER LOCK PINS
B	F-HC-16M120E	1	HC-10.9 M16 X 2.00 X 120 PLT	MAIN PIVOT PIN COLLAR
B	F-HNS-16ME	1	HN-10.9 M16 X 2.00 STOVER PLT	MAIN PIVOT PIN COLLAR
C	F-MB-14NR40	4	MACH BUSH 14 GA NR 2-1/2 ID	MAIN PIVOT PIN
D	F-FHS-8M030E	17	FHSC-10.9 M8 X 1.25 X 30 PLT	UHMW FACE PLATE
D	F-HNS-8ME	17	HN-10.9 M8 X 1.25 STOVER PLT	UHMW FACE PLATE
E	F-HCF-12M040E	6	FLHC-10.9 M12 X 1.75 X 40 PLT	BACKING PLATES
F	F-HNF-16ME	2	FLHN-10.9 M16 X 2.00 PLT	SLAVE CYL ROD MNT
F	F-HCF-16M040E	2	FLHC-10.9 M16 X 2.00 X 40 PLT	SLAVE CYL ROD MNT
G	F-HCF-10M020E	2	FLHC-10.9 M10 X 1.50 X 20 PLT	SLAVE CYL MNT PIN
H	F-HNF-08ME	12	FLHN-10.9 M8 X 1.25 PLT	SHIELDS
H	F-HCF-8M020E	12	FLHC- 10.9 M8 X 1.25 X 20 PLT	SHIELDS
I	F-HCF-16M070E	2	FLHC-10.9 M16 X 2.00 X 70 PLT	BOLTS THROATS TOGETHER
J	F-HCF-16M040E	2	FLHC-10.9 M16 X 2.00 X 40 PLT	BOLTS THROATS TOGETHER
K	F-HCF-20M060E	2	FLHC-10.9 M20 X 2.50 X 60 PLT	PVT BOLTS
L	F-EYB-16M150F	2	EYEBOLT M16 X 2.00 X 150	
L	F-HNF-16ME	4	FLHN-10.9 M16 X 2.00 PLT	EYEBOLT
M	F-HC-16M030E	2	HC-10.9 M16 X 2.00 X 30 PLT	UPPER STOP
M	F-HNF-16ME	2	FLHN-10.9 M16 X 2.00 PLT	UPPER STOP
N	F-PR-04X20	4	PIN, ROLL 1/4 X 1-1/4	CAM ADJUSTER HANDLE
O	F-PH-#11	2	CLIP, HITCH PIN	CAM ADJUSTER
P	F-FWH-12	2	FW, HD 3/4	CAM ADJUSTER SHAFT
Q	F-HCF-16M040E	4	FLHC-10.9 M16 X 2.00 X 40 PLT	TRANSITION MNT
R	F-HNF-16ME	4	FLHN-10.9 M16 X 2.00 NUT	HEADER TOP SPACER PLATES
S	F-PCT-02X16	2	PIN COTTER 1/8 X 1	PINS FOR FEEDER DRUM ARMS
T	F-HCF-12M040E	2	FLHC-10.9 M12 X 1.75 X 40	HOSE SHIELD
U	F-CB-12M025F	2	CARR-8.8 M12 X 1.75 X 25 PLT	ADJUSTER COVER PLATE

3 CARRIAGE

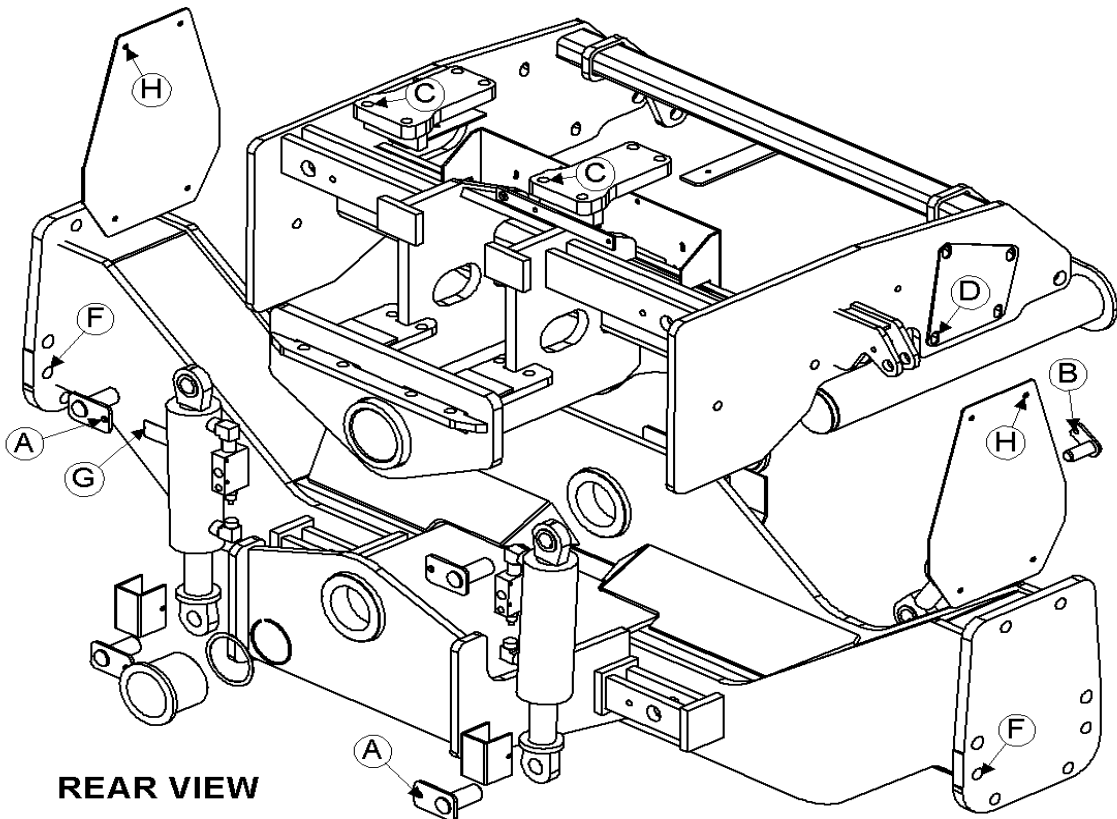
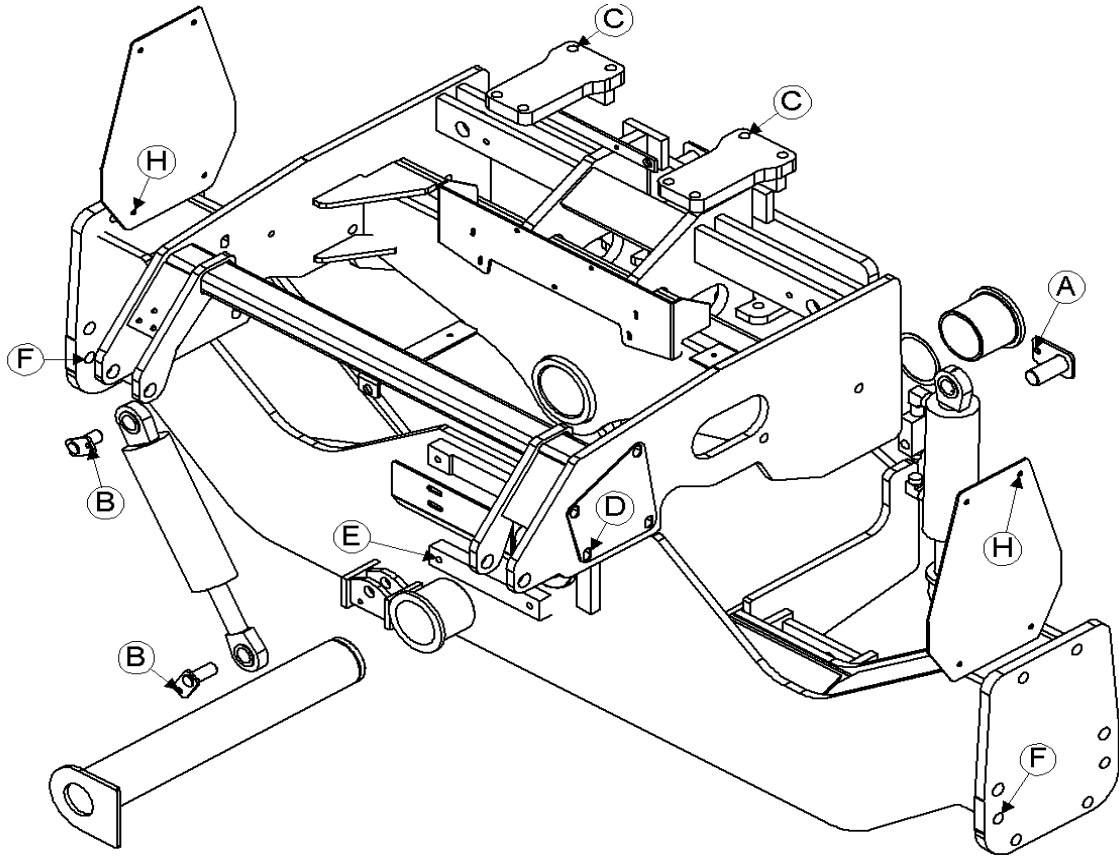


Model 2955S Hillco Leveling System
For Serial Numbers 2955S-1005 thru 2955S-1019

CARRIAGE COMPONENTS				
REF.	PART NO.	QTY.	PART NAME	DESCRIPTION
1	LA-253442	1	CO ASM	
2	LA-253081	1	CU ASM	
3	LA-247481	1	CM ASM, MAIN PVT PIN	
4	LA-235711	2	CM PLATE ASM, TOP	
5	HC-140341	1	CYLINDER, MASTER	**SEE HYDRAULIC PAGE 8-2
6	LA-253882	2	LM ASM, PIN	
7	HC-140312	2	CYLINDER, MAIN LEVELING	**SEE HYDRAULIC PAGE 8-2
8	LA-230552	4	CM PIN ASM, MAIN CYLINDER	
9	HC-138901	2	VALVE, COUNTERBALANCE	**SEE HYDRAULIC PAGE 8-2
10	LP-254431	2	LM PLT, CYL STOP	
11	LP-230241	2	CM CAP, AXLE	
12	LP-247961	2	CM BUSHING, PIVOT	
13	MC-138651	1	SNAP RING 4"	
14	MC-138641	1-4	WASHER 4.016ID X 4.764OD X .048	
15	LA-255971	1	TAG, SERIAL NUMBER	
16	LP-258221	1	SHIELD, SHIFT CABLE	
17	LM-258781	1	LM FLT, BRAKELINE BRKT	
CARRIAGE OPTIONS FOR COMBINES WITH DUAL TIRES				
NS	LA-253141	1	LM ASM, 9.25 AXLE EXTENSION KIT	

Model 2955S Hillco Leveling System
For Serial Numbers 2955S-1005 thru 2955S-1019

CARRIAGE FASTENERS

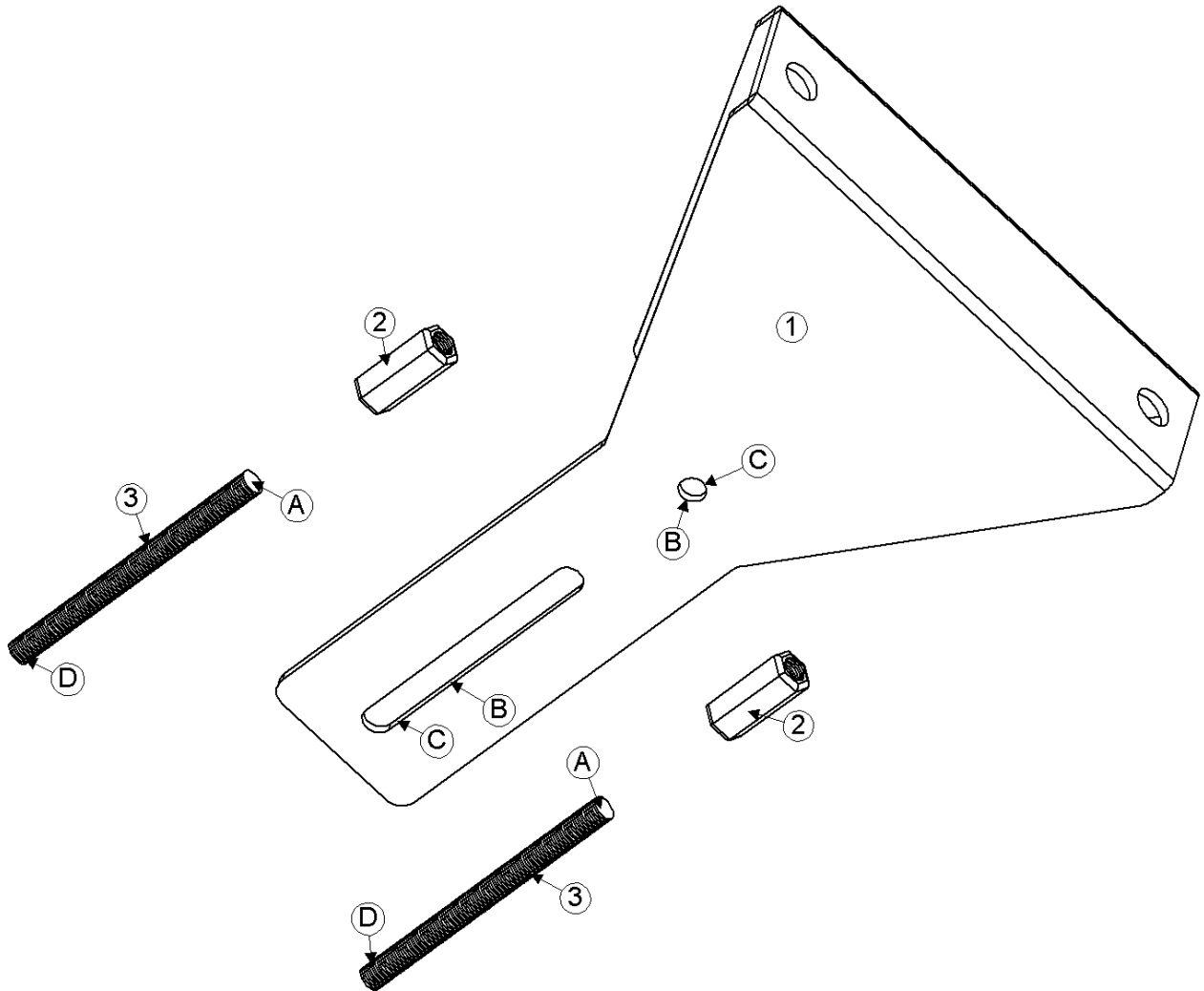


REAR VIEW

Model 2955S Hillco Leveling System
For Serial Numbers 2955S-1005 thru 2955S-1019

CARRIAGE FASTENERS				
REF.	PART NO.	QTY.	PART NAME	WHERE USED
A	F-HCF-12M040F	4	FLHC-8.8 M12 X 1.75 X 40 PLT	LEVELING CYL MNT PIN
A	F-HNS-12ME	4	HN-10.9 M12 X 1.75 STOVER PLT	LEVELING CYL MNT PIN
B	F-HCF-10M035E	2	FLHC-10.9 M10 X 1.50 X 35 PLT	MASTER CYL MNT PIN
B	F-HNS-10ME	2	HN-10.9 M10 X 1.5 STOVER PLT	MASTER CYL MNT PIN
C	F-HC8-12C240	8	HC8 3/4-10 X 15 Plated	OVERCARRIAGE CLAMP
C	F-HNS-12C	8	HN8 3/4-10 STOVER Plated	OVERCARRIAGE CLAMP
D	F-HC-16M110E	8	HC-10.9 M16 X 2.00 X 110 PLT	OVERCARRIAGE FRONT
D	F-FWHD-10	8	FW 5/8 HD PLT	OVERCARRIAGE FRONT
E	F-HCF-16M055E	4	FLHC-10.9 M16 X 2.00 X 55 PLT	TRANSMISSION
F	F-SHC-24M080E	4	SHCS 10.9-M24 X 3 X 80 ZINC PLT	FINAL
G	F-UDS-#7X06	2	SCREW, U-DRIVE #7 X 3/8	SERIAL NUMBER PLATE
H	F-HCF-10M040E	8	FLHC-10.9 M10 X 1.50 X 40 PLT	ORIGINAL AXLE COVER
H	F-HNF-10ME	8	FLHN-10.9 M10 X 1.50 PLT	ORIGINAL AXLE COVER
H	F-FWF-06020	8	3/8 FW FENDER X 1-1/4 PLT	ORIGINAL AXLE COVER
NS	F-UDS-#4X03	2	SCREW, U-DRIVE # 4 X 3/16	HYDRO MOTOR PART# TAG

Model 2955S Hillco Leveling System
For Serial Numbers 2955S-1005 thru 2955S-1019
EMERGENCY BRAKE EXTENSION

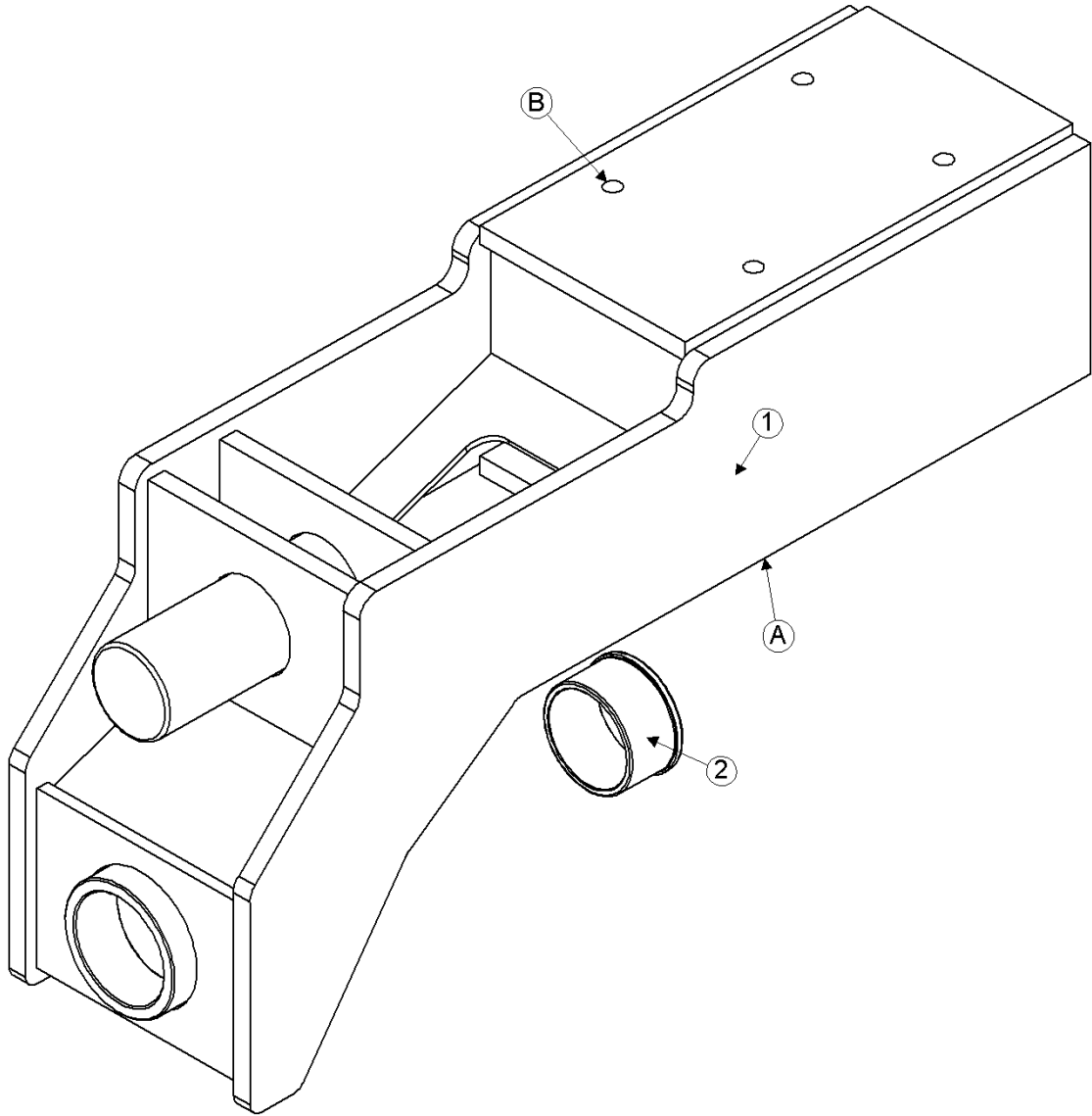


Model 2955S Hillco Leveling System
For Serial Numbers 2955S-1005 thru 2955S-1019

EMERGENCY BRAKE EXTENSION COMPONENTS				
REF.	PART NO.	QTY.	PART NAME	NOTES
1	LM-255541	1	E-BRAKE EXTENSION, BRACKET	
2	LM-255551	2	EXTENSION,E-BRAKE CABLE	
3	LM-255561	2	NUT, EXTENSION E-BRAKE CABLE	
EMERGENCY BRAKE EXTENSION FASTENERS				
REF.	PART NO.	QTY.	PART NAME	WHERE USED
A	F-HNJ-08ME	4	HN-10.9 M8X1.25, JAM	NUT, E-BRAKE EXTESION
B	F-FW-05	2	FW 5/16	FLAT WASHER, BRAKE BRACKET
C	F-PCT-02X16	2	PIN COTTER 1/8 X 1	PINS FOR BRAKE BRACKET
D	F-HNN-8MF	2	HN-8.8 M8X1.25 NYLOCK PLT	NUT, FOR BRAKE CABLE

Model 2955S Hillco Leveling System
For Serial Numbers 2955S-1005 thru 2955S-1019

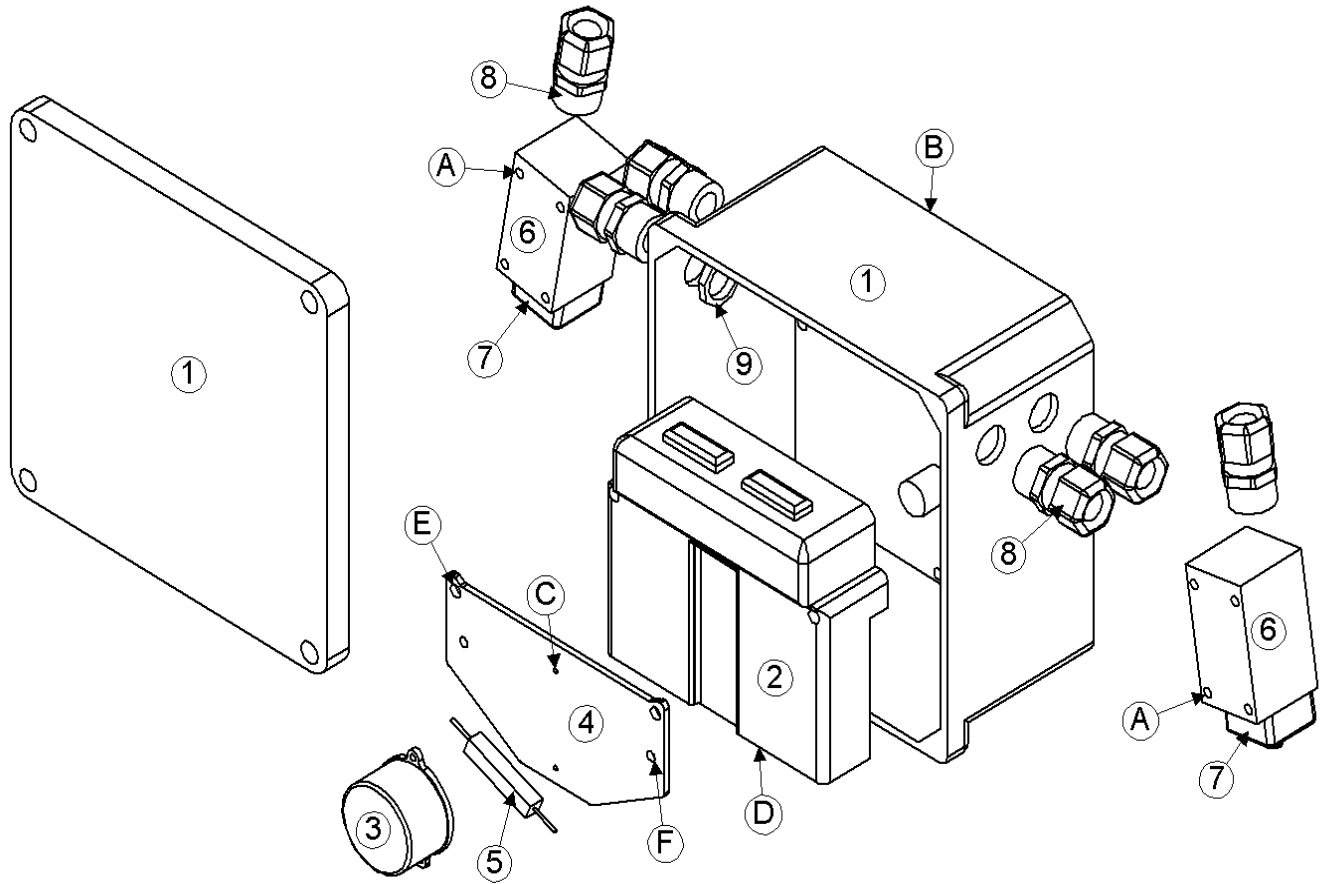
4 **DROP AXLE**



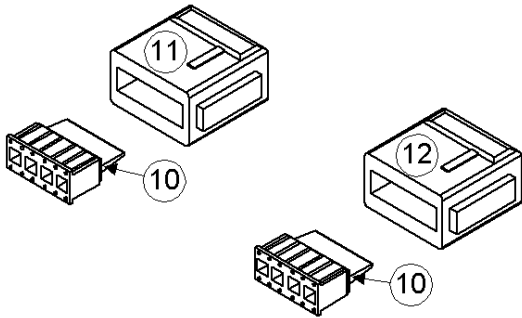
Model 2955S Hillco Leveling System
For Serial Numbers 2955S-1005 thru 2955S-1019

DROP AXLE COMPONENTS				
REF.	PART NO.	QTY.	PART NAME	DESCRIPTION
1	LA-246701	1	DA ASM	
2	LP-235092	1	LM BUSHING, DA PIVOT	
DROP AXLE FASTENERS				
REF.	PART NO.	QTY.	PART NAME	WHERE USED
A	F-HC-16M250E	4	HC-10.9 M16 X 2.00 X 250 PLT	DROP AXLE
A	F-HNS-16ME	4	HN-10.9 M16 X 2.00 STOVER PLT	DROP AXLE
B	F-HC-16M050E	4	HC-10.9 M16 X 2.00 X 50 PLT	DROP AXLE
B	F-HNS-16ME	4	HN-10.9 M16 X 2.00 STOVER PLT	DROP AXLE

5 ELECTRICAL BOX AND CONNECTORS



****Note:** Line item numbers '3' and '5' refer to complete assemblies. The complete assemblies are not shown in this diagram. See page 5-3 for a picture of the complete assembly.



Model 2955S Hillco Leveling System
For Serial Numbers 2955S-1005 thru 2955S-1019

ELECTRICAL COMPONENTS				
REF.	PART NO.	QTY.	PART NAME	WHERE USED
ASM	LA-255921	1	EM ASM, CONTROLLER	
1	LM-255341	1	EM BOX, CONTROLLER MOUNT	
2	EC-141831	1	CONTROLLER	
3	LA-255821	1	EM ASM, CLINOMETER	<i>*SEE NOTE BELOW DIAGRAM</i>
4	LM-255331	1	EM SHT, CLINOMETER MOUNT	
5	LA-255621	1	EM CABLE ASM, RESISTOR	<i>*SEE NOTE BELOW DIAGRAM</i>
6	EC-100557	2	BODY, LIMIT SWITCH	
7	EC-100692	2	HEAD, LIMIT SWITCH STRAIGHT PLUNGER	
8	EC-138781	4	STRAIN RELIEF, NYLON, BLK, 1/2 NPT	
9	EC-142121	4	STRAIN RELIEF NUT, 1/2" NYLON, BLK	
ELECTRICAL FASTENERS				
REF.	PART NO.	QTY.	PART NAME	WHERE USED
A	F-PHM-#10C28	4	PHMS 10-24 X 1-3/4	LIMIT SWITCH MNT
A	F-HNF-#10C	4	HN 10-24, FLNG SERR	LIMIT SWITCH MNT
B	F-HC5-04C12	3	HC5 1/4-20 X 3/4	PVC BOX TO BRACKET
B	F-LW-04	3	LW 1/4	PVC BOX TO BRACKET
C	F-PHM-#6C06	2	PHMS #6-32 X 3/8	CLINOMETER MOUNT
D	F-PHM-04C24	2	PHMS 1/4-20 X 1-1/2	CONTROLLER TO PVC BOX
D	F-HNF-04C	2	FLHN 1/4-20 SERR.	CONTROLLER TO PVC BOX
E	F-PHM-04C36	2	PHMS 1/4-20 X 2-1/4	GROUNDING PLATE MOUNTING
E	F-HNF-04C	2	FLHN 1/4-20 SERR.	GROUNDING PLATE MOUNTING
F	F-PHM-#10C16	2	PHMS 10-24 X 3/4	GROUNDING PLATE GROUND
F	F-HNF-#10C	2	HN5 10-24, FLNG SERR	GROUNDING PLATE GROUND
F	F-HN-#10C	2	HN5 10-24	GROUNDING PLATE GROUND
ELECTRICAL CONNECTORS				
REF.	PART NO.	QTY.	PART NAME	WHERE USED
NS	EC-100164	1	PIN, ELECTRICAL	
NS	EC-100165	2	SOCKET, SIZE 16 DEUTSCH	
NS	EC-139631	5	CONNECTOR, PARALLEL, 12-10 GA	
NS	EC-139641	2	CONNECTOR, PARALLEL, 16-14 GA	
10	EC-141741	2	DTM SERIES, 12-SOCKET WEDGE	
11	EC-141751	1	DTM SERIES, 12-SOCKET PLUG BLACK	
12	EC-141761	1	DTM SERIES, 12-SOCKET PLUG GRAY	
NS	EC-141771	12	DTM SERIES, SOCKET, CONTACT STAMPED	
NS	EC-141781	1	DTM SERIES, PIN, CONTACT STAMPED	

ELECTRICAL CABLES



#1 LA-255631
EM CABLE ASM, LIMIT SWITCH



#2 LA-248452
EM CABLE ASM, BOX TO VALVE



#3 LA-255821
EM CABLE ASM, CLINOMETER



#4 LA-255731
EM ALL CABLE ASM, CAB TO BOX
(INCLUDES #5 TO LEFT)

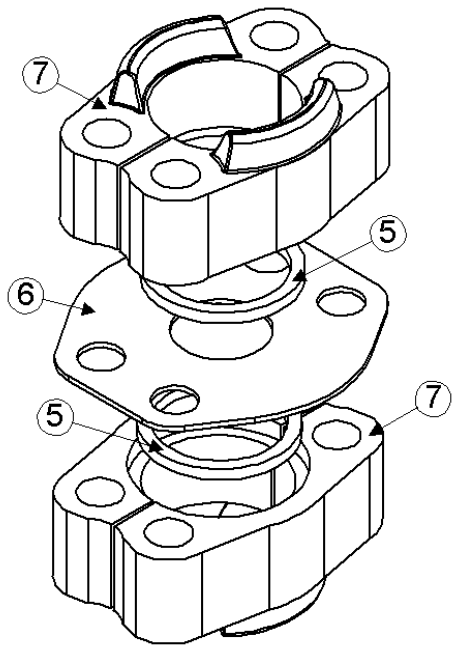
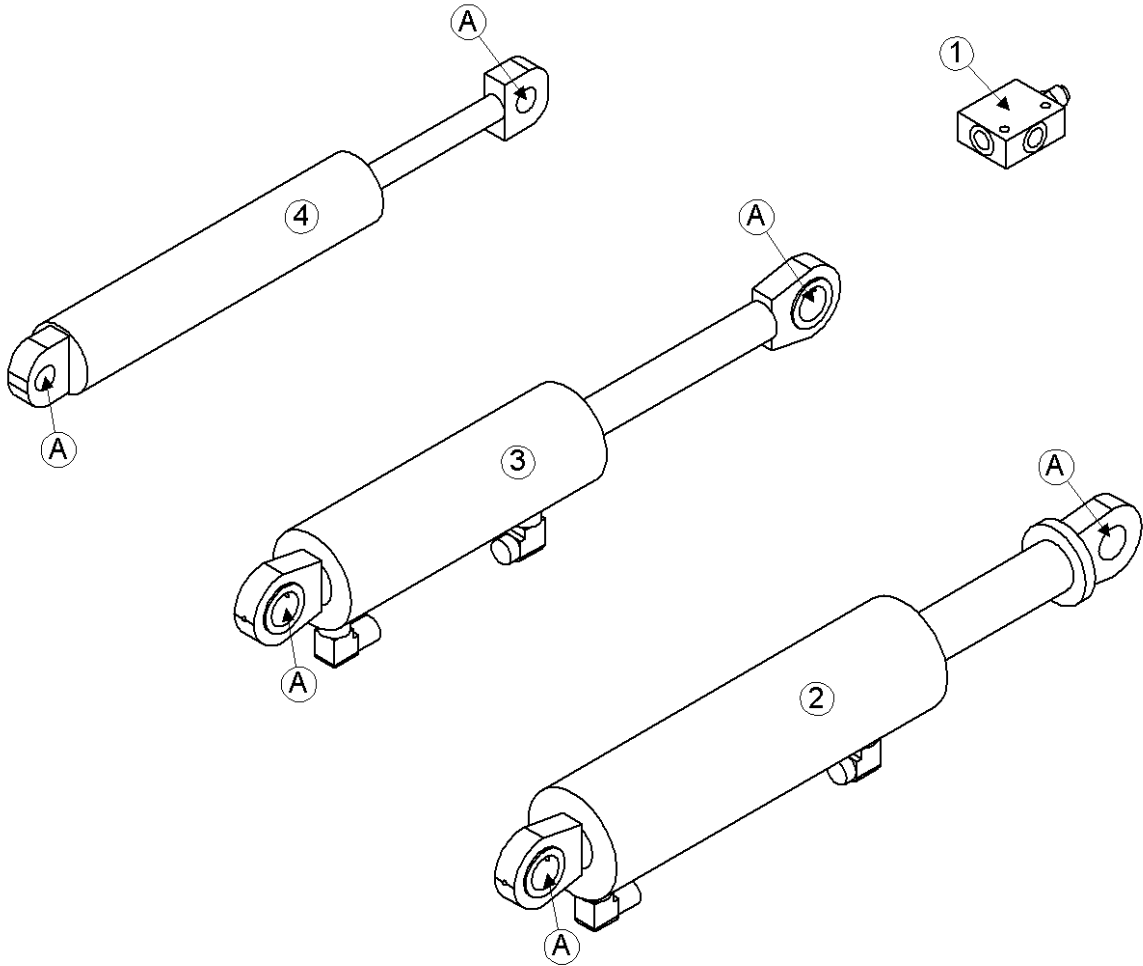


#5 LA-255621
EM CABLE ASM, RESISTOR

Model 2955S Hillco Leveling System
For Serial Numbers 2955S-1005 thru 2955S-1019

ELECTRICALCABLE ASSEMBLIES				
REF.	PART NO.	QTY.	PART NAME	DESCRIPTION
1	LA-255631	2	EM CABLE ASM, LIMIT SWITCH	
2	LA-248452	1	EM CABLE ASM, BOX TO VALVE	
3	LA-255821	1	EM CABLE ASM, CLINOMETER	
4	LA-255731	1	EM ALL CABLE ASM, CAB TO BOX	
5	LA-255621	1	EM CABLE ASM, RESISTOR	

6 HYDRAULICS

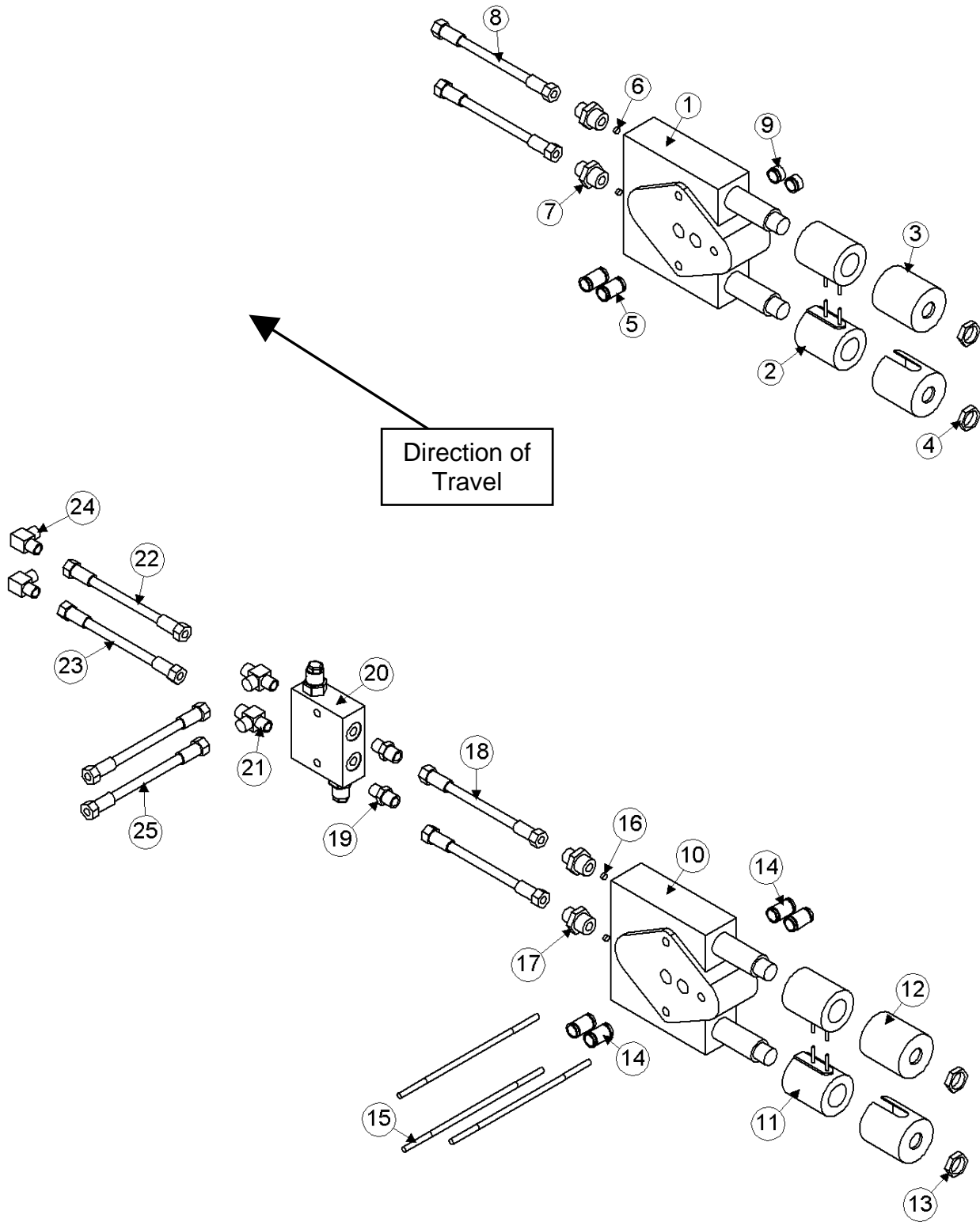


**CODE 62 SPLIT FLANGE
CONNECTOR KIT
ASSEMBLY WITH O-RINGS**

Model 2955S Hillco Leveling System
For Serial Numbers 2955S-1005 thru 2955S-1019

COUNTERBALANCE VALVE AND CYLINDERS				
REF.	PART NO.	QTY.	PART NAME	DESCRIPTION
1	HC-138901	2	VALVE, COUNTER BALANCE	
..	HC-139161	2	CARTRIDGE, COUNTERBALANCE VALVE	
..	HC-139171	2	BODY, COUNTERBALANCE VALVE	
NS	HC-140361	2	SEAL KIT, COUNTERBALANCE VALVE	
2	HC-140312	2	CYLINDER, MAIN LEVELING	
NS	HC-142451	2	SEAL KIT, MAIN LEVELING CYLINDER	
3	HC-140341	1	CYLINDER, MASTER	
NS	HC-134201	1	SEAL KIT, MASTER CYLINDER	
4	HC-138581	1	CYLINDER, SLAVE	
NS	HC-141281	1	SEAL KIT, SLVE CYLINDER	
OPTION FOR ANY COMBINE USING A SIX ROW CORN HEADER				
NS	LM-257391	1	STOP, CYLINDER ROD	SLAVE CYLINDER ROD END
CODE 62 SPLIT FLANGE CONNECTOR KIT ASSEMBLY				
ASM	HC-101843	2	CODE 62 SLT FLNG CONNECTOR KIT WITH O-RINGS	FWD AND REAR PROPULSION HOSE
ONE HC-101843 KIT INCLUDES:				
5	HC-134911	3	O-RING, CODE 62 CONNECTOR	
6	HC-137891	1	PLATE, CODE 62	
7	HC-137901	2	CODE 62, #16 SPLIT FLANGE KIT (PAIR)	
NS	F-HC8-07C44	4	HC8 7/16 X 2-3/4 PLT	
NS	F-HN8-07C	4	HN8 7/16-14	
HYDRAULIC FASTENERS				
REF.	PART NO.	QTY.	PART NAME	WHERE USED
A	F-SSS-04F04	8	SET SCREW, 1/4-28 X 1/4	ALL CYLINDERS

Model 2955S Hillco Leveling System
For Serial Numbers 2955S-1005 thru 2955S-1019
LEVELING AND HEADER TILT VALVES



Model 2955S Hillco Leveling System
For Serial Numbers 2955S-1005 thru 2955S-1019

LEVELING VALVE				
REF.	PART NO.	QTY.	PART NAME	DESCRIPTION
1	HC-136511	1	LATERAL TILT VALVE	
2	HC-136561	2	COILS	
3	HC-136571	2	COIL COVERS	
4	HC-136581	2	COIL COVER NUTS	
5	HC-136551	2	SHORT THROUGH TUBES	
6	LM-254541	2	HM ORIFICE, TRIM VALVE (DRILLED TO .040)	
7	HA-S-4MF8MO	2	#4 MORS X #8 MORB ADAPTER	
8	LA-139111	2	1/4" 100R2 83-1/2 IN #4FORS X #4FORS	
9	HC-141791	2	PLUG, TUBE	
HEADER TILT VALVE				
REF.	PART NO.	QTY.	PART NAME	DESCRIPTION
10	HC-136511	1	LATERAL TILT VALVE	
11	HC-136561	2	COILS	
12	HC-136571	2	COIL COVERS	
13	HC-136581	2	COIL COVER NUTS	
14	HC-136551	4	SHORT THROUGH TUBES	
15	LP-248471	3	ALL THREAD, B7, 1/4-20 X 15.625, PLT	
16	LM-254541	2	HM ORIFICE, TRIM VALVE (DRILLED TO .040)	
17	HA-S-4MF8MO	2	#4 MORS X #8 MORB ADAPTER	
18	LA-139111	2	1/4" 100R2 83-1/2 IN #4FORS X #4FORS	
19	HA-S-4MF4MO	2	#4MORB X #4MORS STRAIGHT	
20	HC-138691	1	MANIFOLD, RELIEF VALVE	
21	HA-T-4MF4MO	2	#4 MORB X #4 MORS STR THREAD RUN TEE	
22	LA-139531	1	1/4" 100R2 295 IN #4FORS X #6FORS	SLAVE CYLINDER ROD TO RELIEF VALVE #2
23	LA-139541	1	1/4" 100R2 309 IN #4FORS X #6FORS	SLAVE CYLINDER BASE TO RELIEF VALVE #1
24	HA-L-4MF6MO	2	#4 MORS X #6 MORB 90 DEG	SLAVE CYLINDER
25	LA-139141	1	1/4" 100R2 114-1/2 IN #4FORS X #4FORS	RELIEF VALVE #1 TO MASTER BASE
25	LA-139141	1	1/4" 100R2 114-1/2 IN #4FORS X #4FORS	RELIEF VALVE #2 TO MASTER ROD

Model 2955S Hillco Leveling System
 For Serial Numbers 2955S-1005 thru 2955S-1019

HYDRAULIC HOSES

LEVELING				
REF.	PART NO.	QTY.	PART NAME	WHERE USED
NS	LA-141081	2	3/8" 100R2 31 IN #6FORS X #6FORS	LEFT OR RIGHT POCV#2 TO RIGHT/LEFT ROD FRONT
NS	LA-252151	2	1/4" 100R2 17-1/2 IN #6 FORS X #6 FORS	LEFT OR RIGHT POCV#3 TO RIGHT/LEFT ROD REAR
TRIM				
NS	LA-141101	1	1/4" 100R2 120-1/2 IN #4FORS X #4FORS	RELIEF VALVE #2 TO MASTER ROD
NS	LA-141101	1	1/4" 100R2 120-1/2 IN #4FORS X #4FORS	RELIEF VALVE #1 TO MASTER BASE
HYDROSTAT				
NS	LA-141501	1	1 100R15 76-1/2 IN CODE 62 SLT FLNG 180DEG X CODE 62 SPLT FLNG STR	HYDROSTAT FRONT
NS	LA-141511	1	1 100R15 80-1/2 IN CODE 62 SLT FLNG 180DEG X CODE 62 SPLT FLNG STR	HYDROSTAT REAR
NS	LA-140401	1	3/4 100R1 HOSE 38-1/2 IN #12 MORS X #12 FORS 45 DEG	HYDRO MOTOR CASE DRAIN
NS	HC-101843	2	CODE 62 SLT FLNG CONNECTOR KIT WITH O-RINGS	
GREASE				
NS	LA-141131	1	3/16 R1 GREASE HOSE 53 IN 1/8 MPT X 1/8 MPT	RH MAIN BASE EO BH#2
NS	LA-141141	1	3/16 R1 GREASE HOSE 50-1/2 IN 1/8 MPT X 1/8 MPT	MAIN PVT TO BH #1
NS	LA-141151	1	3/16 R1 GREASE HOSE 72 IN 1/8 MPT X 1/8 MPT	LH MAIN BASE TO BH #3

Model 2955S Hillco Leveling System
 For Serial Numbers 2955S-1005 thru 2955S-1019

HYDRAULIC ADAPTERS

MAIN CYLINDERS				
REF.	PART NO.	QTY.	PART NAME	WHERE USED
NS	HA-L-6MF6MO	4	#6 MORS X #6 MORB 90 DEG	POCV #2,#3 LEFT & RIGHT
NS	HA-K-6MF6MO	2	#6 MORB X #6 MORS BRANCH TEE	LEFT AND RIGHT LEV CYL ROD
NS	HA-L-6MO6MO	2	# 6 MORB X #6 MORB 90 DEG	POCV #1 LEFT AND RIGHT LEV CYL BASE
NS	HA-M-6FF6MF	2	#6 FORS X #6 MORS SWIVEL NUT RUN TEE	LEFT MAIN LEV CYL ROD/ LEFT POCV #2
NS	HA-L-6FF6MF	3	#6 FORS X #6 MORS 90 DEG	LEFT AND RIGHT LEV CYL ROD
NS	HA-L-6FF6MF	1	#6 MORS X #6 FORS 90 DEG	RIGHT LOWER POCV #2
MASTER CYLINDER				
NS	HA-L-4MF6MO	2	#4 MORS X #6 MORB 90 DEG	MASTER CYLINDER ROD AND BASE
GREASE FITTINGS				
NS	HA-S-2FP2MN	3	1/8" NPSM X 1/8" FPT BULKHEAD CONNECTOR	GREASE BULKHEAD MOUNT
NS	HA-NJ-2FN	3	1/8" NPSM BULKHEAD LOCKNUT	BULKHEAD CONNECTOR
NS	HC-138011	3	1/4-28 STRAIGHT ZERK	ALL GREASE LINES
NS	HA-L-2FP2MP	1	1/8 NPT 90 STREET EL	MAIN PIVOT PIN
NS	HC-135771	2	1/4-28 MALE X 1/8 FPT 90 DEG	MASTER AND MAIN LEV CYL BASE

Model 2955S Hillco Leveling System
For Serial Numbers 2955S-1005 thru 2955S-1019

7 MISCELLANEOUS

DECALS AND LITERATURE				
REF.	PART NO.	QTY.	PART NAME	DESCRIPTION
NS	LL20-100782	1	CAUTION LEVELING SYSTEM CAB	WINDOW IN CAB
NS	LL20-100783	4	DANGER, CRUSHING HAZARD	4-RT & LT UC (FRONT AND BACK)
NS	LL20-100784	2	DANGER, PINCH POINT	RH & LH UPPER TRANS FACE PLT
NS	LL20-100786	1	WARNING ELECTRONIC CRUSHING HAZARD	FRONT OF CONTROL BOX
NS	LL20-100786	1	WARNING ELECTRONIC CRUSHING HAZARD	UNDERCARRIAGE FRONT
NS	LL20-100788	2	DANGER HYDRAULIC HAZARD	1- EA MAIN CYLINDER
NS	LL-133741	1	LABEL, GREASE 50 HRS	MASTER CYLINDER ROD
NS	LL-133741	1	LABEL, GREASE 50 HRS	OC BULKHEAD
NS	LL-133741	2	LABEL, GREASE 50 HRS	MAIN LEV CYL BOTTOM (RH & LH)
NS	LL-133741	1	LABEL, GREASE 50 HRS	MASTER CYLINDER ROD
NS	LL-133741	2	LABEL, GREASE 50 HRS	REAR AXLE, LEFT AND RIGHT
NS	LL-141301	2	DECAL, HILLCO SIDEHILL	GULL WING DOORS
NS	LL-142311	2	DECAL, HEADER ANGLE/FEEDER ARM STOP	TRANSITION SIDE PLATES
NS	LA-255971	1	TAG, SERIAL NUMBER	REAR OF UNDERCARRIAGE
NS	D-050823ADL01	1	PARTS MANUAL	
NS	D-040820CLA01C	1	OPERATION MANUAL	
NS	D-252420LJH01A	1	INSTALLATION MANUAL	
HOSE CLAMPS AND FASTENERS				
REF.	PART NO.	QTY.	PART NAME	WHERE USED
NS	F-HCF-08M090F	2	FLHC-8.8 M8 X 1.25 X 90 PLT	BEHRINGER CLAMP FOR HYDRO HOSES
NS	F-HNF-08MF	2	FLHN-8.8 M8 X 1.25 PLT	BEHRINGER CLAMP FOR HYDRO HOSES
NS	MC-137521	2	TANDEM CLAMPING HALVES BEHRINGER (PAIR)	HYDROSTAT HOSES
NS	MC-137531	2	COVER PLATE W/ 5/16 HOLE (BEHRINGER)	HYDROSTAT HOSES
NS	F-HCF-10M035E	2	FLHC-10.9 M10 X 1.50 X 35 PLT	CLAMP, GREASE LINES/ TRIM HOSES
NS	F-HNS-10ME	2	HN-10.9 M10 X 1.5 STOVER PLT	CLAMP, GREASE LINES/ TRIM HOSES
NS	MC-135631	2	CLAMP, HOSE 1-1/2 R/C W 3/8 HOLE	CLAMP, GREASE LINES/ TRIM HOSES

Model 2955S Hillco Leveling System
For Serial Numbers 2955S-1005 thru 2955S-1019

8 PART NUMBER INDEX

PART NUMBER	PAGE NUMBER	PART NUMBER	PAGE NUMBER	PART NUMBER	PAGE NUMBER	PART NUMBER	PAGE NUMBER
D-040820CLA01C	7-1	F-HNS-12C	3-4	HC-140312	3-2, 6-2	LL-141301	7-1
D-050823ADL01	7-1	F-HNS-12ME	3-4	HC-140341	3-2	LL-142311	7-1
D-252420LJH01A	7-1	F-HNS-16ME	2-4, 4-2	HC-140341	6-2	LL20-100782	7-1
EC-100164	5-2	F-HNS-8ME	2-4	HC-140361	6-2	LL20-100783	7-1
EC-100165	5-2	F-LW-04	5-2	HC-141281	6-2	LL20-100784	7-1
EC-100557	5-2	F-MB-14NR40	2-4	HC-141791	6-4	LL20-100786	7-1
EC-100692	5-2	F-PCT-02X16	2-4	HC-142451	6-2	LL20-100786	7-1
EC-138781	5-2	F-PH-#11	2-4	LA-139111	6-4	LL20-100788	7-1
EC-139631	5-2	F-PHM-#10C16	5-2	LA-139141	6-4	LM-226841	2-2
EC-139641	5-2	F-PHM-#10C28	5-2	LA-139531	6-4	LM-229192	2-2
EC-141741	5-2	F-PHM-#6C06	5-2	LA-139541	6-4	LM-250532	2-2
EC-141831	5-2	F-PHM-04C24	5-2	LA-140401	6-5	LM-250541	2-2
EC-142121	5-2	F-PHM-04C36	5-2	LA-141081	6-5	LM-250561	2-2
F-CB-12M025F	2-4	F-PR-04X20	2-4	LA-141101	6-5	LM-250571	2-2
F-EYB-16M150F	2-4	F-SHC-24M080E	3-4	LA-141131	6-5	LM-250581	2-2
F-FHS-8M030E	2-4	F-SSS-04F04	6-2	LA-141141	6-5	LM-250591	2-2
F-FWF-06020	3-4	F-UDS-#4X03	3-4	LA-141151	6-5	LM-254421	2-2
F-FWH-12	2-4	F-UDS-#7X06	3-4	LA-141501	6-5	LM-254541	6-4
F-FWHD-10	3-4	HA-K-6MF6MO	6-6	LA-141511	6-5	LM-254781	2-2
F-HC-10M070E	2-4	HA-L-2FP2MP	6-6	LA-230552	3-2	LM-255331	5-2
F-HC-16M030E	2-4	HA-L-4MF6MO	6-4, 6-6	LA-235711	3-2	LM-255341	5-2
F-HC-16M050E	4-2	HA-L-6FF6MF	6-6	LA-246701	4-2	LM-255592	2-2
F-HC-16M110E	3-4	HA-L-6MF6MO	6-6	LA-247481	3-2	LM-257391	6-2
F-HC-16M120E	2-4	HA-L-6MO6MO	6-6	LA-248452	3-6, 5-4	LM-258781	3-2
F-HC-16M250E	4-2	HA-M-6FF6MF	6-6	LA-250712	2-2	LP-230241	3-2
F-HC5-04C12	5-2	HA-NJ-2FN	6-6	LA-252151	6-5	LP-235092	4-2
F-HC8-07C44	6-2	HA-S-2FP2MN	6-6	LA-253081	3-2	LP-247961	3-2
F-HC8-12C240	3-4	HA-S-4MF4MO	6-4	LA-253141	3-2	LP-248471	6-4
F-HCF-08M090F	7-1	HA-S-4MF8MO	6-4	LA-253162	2-2	LP-250551	2-2
F-HCF-10M020E	2-4	HA-T-4MF4MO	6-4	LA-253222	2-2	LP-253451	2-2
F-HCF-10M035E	3-4, 7-1	HC-101843	6-2, 6-5	LA-253242	2-2	LP-254431	3-2
F-HCF-10M040E	3-4	HC-134201	6-2	LA-253442	3-2	LP-254791	2-2
F-HCF-12M040E	2-4	HC-134911	6-2	LA-253882	2-2, 3-2	LP-258211	2-2
F-HCF-12M040F	3-4	HC-135771	6-6	LA-255621	3-6, 5-2, 5-4	LP-258221	3-2
F-HCF-16M040E	2-4	HC-136511	6-4	LA-255631	3-6, 5-4	LP-258241	2-2
F-HCF-16M055E	3-4	HC-136551	6-4	LA-255671	2-2	LTP-241721	2-2
F-HCF-16M070E	2-4	HC-136561	6-4	LA-255681	2-2	MC-135531	2-2
F-HCF-20M060E	2-4	HC-136571	6-4	LA-255721	3-6	MC-135631	7-1
F-HCF-8M020E	2-4	HC-136581	6-4	LA-255731	3-6, 5-4	MC-137521	7-1
F-HN-#10C	5-2	HC-137891	6-2	LA-255821	3-6, 5-2, 5-4	MC-137531	7-1
F-HN8-07C	6-2	HC-137901	6-2	LA-255921	5-2	MC-138641	3-2
F-HNF-#10C	5-2	HC-138011	6-6	LA-255971	3-2, 7-1	MC-138651	3-2
F-HNF-04C	5-2	HC-138581	2-2, 6-2	LA-256091	2-2	MC-141331	2-2
F-HNF-08ME	2-4, 7-1	HC-138691	6-4	LA-256101	2-2	MC-142181	2-2
F-HNF-10ME	3-4	HC-138901	3-2, 6-2	LA-256161	2-2	MC-142251	2-2
F-HNF-16ME	2-4	HC-139161	6-2	LA-256201	2-2	MC-142261	2-2
F-HNS-10ME	3-4, 7-1	HC-139171	6-2	LL-133741	7-1		