



# **Model 2950-2960 Leveling System Parts Book**

**Model 2950: 2950-1001 thru 2950-1007  
Model 2960: 2960-0001 thru 2960-0025**

(D010611MDH01B)

	<b>2950 &amp; 2960 Leveling Systems</b> <i>Model 2960 for 9600, 9610 and 9650 John Deere Combines</i> <i>Model 2950 for 9500, 9510, CTS, CTS II, 9650 CTS, and 9660 CTS John Deere Combines</i>
---	---

**TABLE OF CONTENTS**

**1 GENERAL INFORMATION ..... 1-3**  
Serial Number Location .....1-3  
Text Format and Illustrations.....1-3  
Abbreviations .....1-3  
Right and Left Identification .....1-3  
Catalog Revisions and Supplements .....1-3  
Parts Orders.....1-3

**2 TRANSITION ..... 2-1**  
Drive Components .....2-3  
Slip Clutch.....2-5  
Transition Fasteners for Early Serial Numbers .....2-7  
Transition Fasteners for Late Serial Numbers .....2-9

**3 CARRIAGE ..... 3-1**  
Carriage Fasteners .....3-3

**4 Y-BRACE ..... 4-1**

**5 DROP AXLE ..... 5-1**

**6 LADDER ..... 6-1**

**7 ELECTRICAL COMPONENTS ..... 7-1**  
Electrical Fasteners .....7-2  
Electrical Connectors, Wires and Cables.....7-5

**8 HYDRAULIC COMPONENTS ..... 8-1**  
Manifold .....8-1  
Pump Drive Components.....8-3  
Pump Drive Fasteners .....8-5  
Hydraulic Cylinders and Components.....8-7  
Hydraulic Hoses.....8-9  
Hydraulic Adapters.....8-11

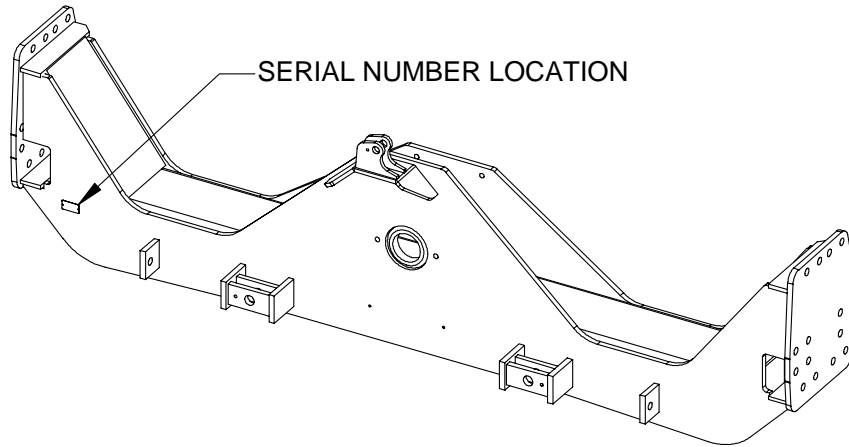
**9 LITERATURE AND SAFETY LABELS ..... 8-13**

**10 PART NUMBER INDEX ..... 10-1**

# Model 2950 and Model 2960 Hillco Leveling Systems

## 1 GENERAL INFORMATION

### SERIAL NUMBER LOCATION



### TEXT FORMAT AND ILLUSTRATIONS

The arrangement of this parts catalog is for easy identification of parts. All parts are illustrated in exploded views in proper relation to each other. Reference numbers used in the illustrations refer to line numbers in the part lists for each grouping. The part lists reference number, part number, part description and the quantity required per leveling system. Some part lists also include the page numbers of additional part breakdown information and reference the location of the part on the combine.

### ABBREVIATIONS

**SN** "Serial Number" The four digits shown in the SN column refer to the last four digits in the Hillco serial number. Each Model 2950 and 2960 system uses the following format: 2950-XXXX or 2960-XXXX (sequential numbers).

**ASM** "Assembly" refers to a permanent grouping of parts not sold separately.

**NSS** "Not Sold Separately" refers to items depicted in illustrations that are not available to be purchased.

**NS** "Not Shown" refers to a part that is not depicted in the illustration.

### RIGHT AND LEFT IDENTIFICATION

The reference to right-hand and left-hand in this catalog is identified by the operator standing at the rear of the machine looking toward the front of the machine (in normal forward travel).

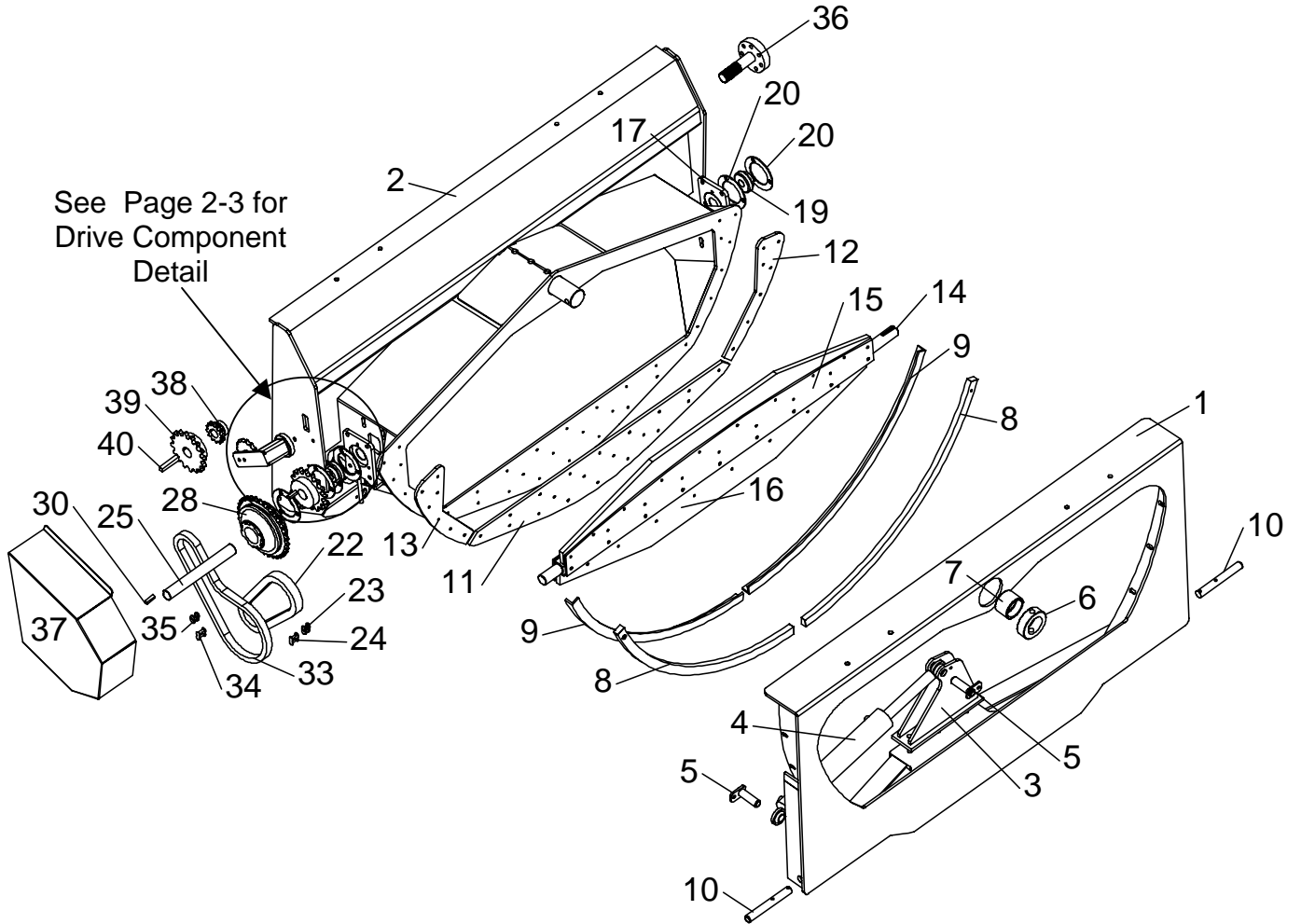
### CATALOG REVISIONS AND SUPPLEMENTS

Changes to the product may make it necessary to revise or add pages to this catalog. A cover sheet will list all pages released in a revision or supplement. All revised and new pages must be put into the parts catalog as soon as they are received.

### PARTS ORDERS

Orders must specify product model, serial number, correct part number, complete description, quantity required, method of shipment, shipping address, and billing address.

**2 TRANSITION**



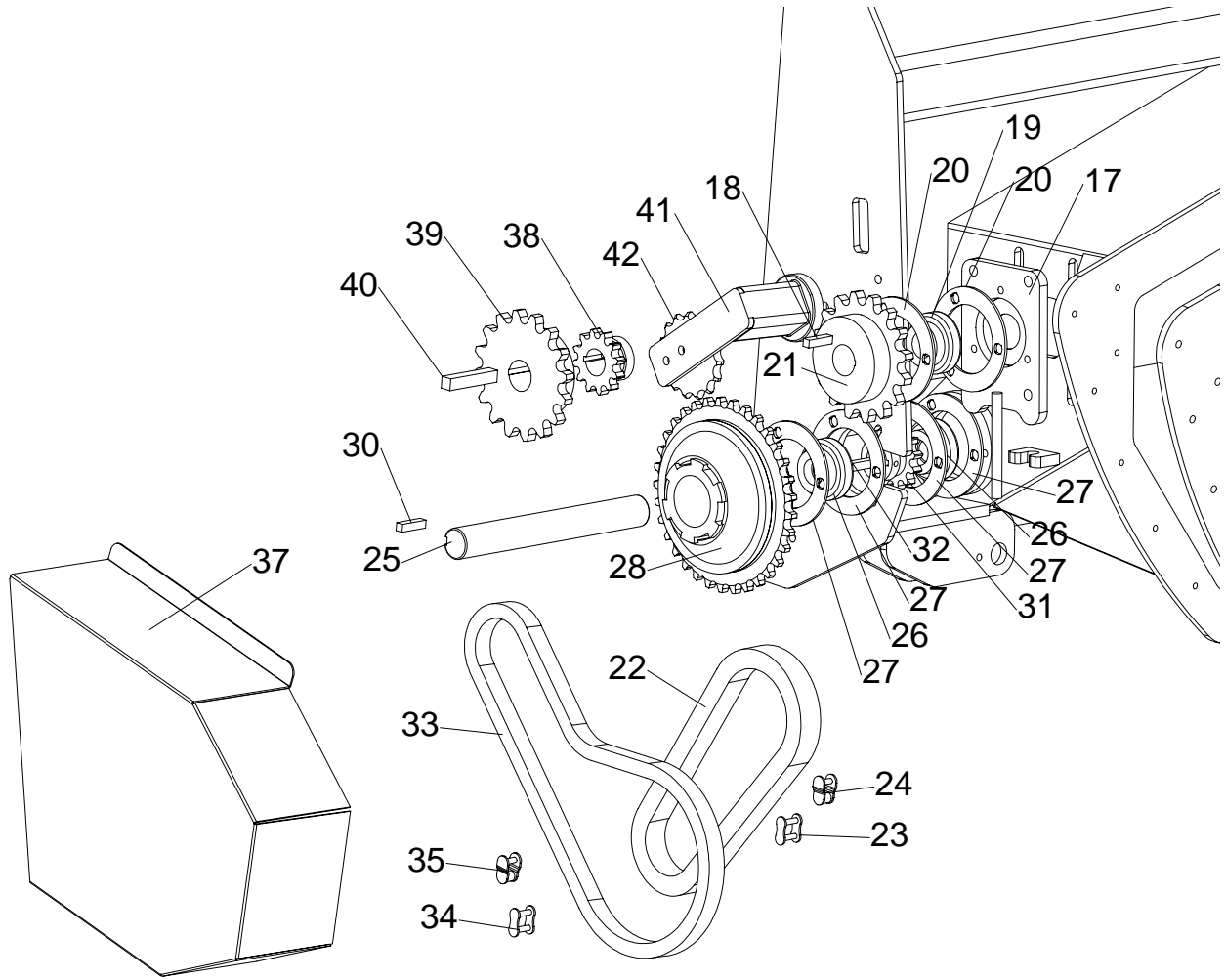
SEE PAGES 2-7 AND 2-9  
FOR TRANSITION  
FASTENERS

## Model 2950 and Model 2960 Hillco Leveling Systems

TRANSITION						
REF.	PART NO.	2950 SN	2960 SN	QTY.	PART NAME	NOTES
1	LA-228891	NA	0001-0012	1	TA ADAPTER ASM	
	LA-228892		0013-0025	1	TA ADAPTER ASM	
2	LA-234951	NA	0001-0012	1	TT THROAT ASM	
	LA-234952		0013-	1	TT THROAT ASM	
3	LA-229021	NA	0001-0012	1	TM MOUNT ASM, ROD	
	LA-229021		0013-	1	TM MOUNT ASM, ROD	
4	HC-100706			1	CYLINDER, SLAVE	
	HC-134191			1	SEAL KIT	
5	LA-229071			2	TM PIN ASM, TRIM CYLINDER	
6	LM-207801	NA	1001-1005	1	THA BUSHING, PIVOT	
	LM-226841		1006-	1	TM COLLAR, PIVOT	
7	LM-226831			1	TM BUSHING, PIVOT	
8	LM-229201			2	TM PAD, BACKING WEAR	
9	LM-229181			2	TM ANGLE, BACKING	
10	LM-229191	NA	0001-0012	2	TM ROD, LOCK	
	LM-229192		0013-	2	TM ROD, LOCK	
	MC-135531		0013-	1	SPRING, COMPRESSION 1"OD X .866"ID	
11	LM-229151	NA	0001-0012	1	TM PLATE, WEAR BOTTOM	
	LM-229152		0013-	1	TM PLATE, WEAR BOTTOM	
12	LM-229161			1	TM PLATE, WEAR LH	
13	LM-229171			1	TM PLATE, WEAR RH	
BEATER SHAFT						
14	LM-228871	NA	0001-0012	1	TB SHAFT, MAIN	
	LM-228872		0013-	1	TB SHAFT, MAIN	
15	LM-228441			2	TB PLATE, PADDLE BACKING	OPTIONAL (USE FOR CORN AND EDIBLE BEANS)
	LM-228442			2	TB PLATE, PADDLE BACKING	OPTIONAL (USE FOR CORN AND EDIBLE BEANS)
16	LP-228881			2	TB PADDLE, RUBBER	OPTIONAL (USE FOR CORN AND EDIBLE BEANS)
	LM-238341			2	TB PADDLE, METAL	OPTIONAL (USE FOR SMALL GRAIN)
17	LA-229051			2	TM MOUNT ASM, BEATER	
18	LM-212701			1	TM KEY, BEATER DRIVE, 3/8 X 2	
19	MC-100548			2	INSERT, BEARING, 1-7/16	
20	MC-101339			2	FLANGETTES, RND BEARING (PAIR)	
21	MC-101881	1001	0001-0021	1	SPROCKET, 17T, 80P, 1-7/16B, HARD	SUB TO MC-135501 AND MC-135511
	MC-135501	1002-	0022-	1	SPROCKET, 16T 80P TAPER BORE HRD	
	MC-135511	1002-	0022-	1	HUB, SPLIT TAPER 1-7/16	
22	LM-232161			1	TM ROLLER CHAIN, 28 PIN 80P	SUB TO LP-232162
	LP-232162			1	TM ROLLER CHAIN, 28 PIN 80P	
23	MC-101333			1	CONNECTING LINK, 80P	SUB TO MC-139341
	MC-139341			1	CONNECTING LINK, 80P	
24	MC-101332			1	HALF LINK, 80P	SUB TO MC-139351
	MC-139351			1	HALF LINK, 80P	
TRANSITION THROAT JACK SHAFT						
25	LM-229141	NA	0001-0021	1	TM SHAFT, JACK	USE WITH TORQUE TAMER CLUTCH
	LM-229142		0022-	1	TM SHAFT, JACK	USE WITH RADIAL PIN SLIP CLUTCH
26	MC-100548			2	INSERT, BEARING, 1-7/16	
27	MC-101339			2	FLANGETTES, RND BEARING (PAIR)	NO GREASE ZERK
28	MC-102153	1001-1005	0001-0021	1	CLUTCH, SLIP, 60P, 1-7/16B	SEE PG. 2-5 FOR BREAK DOWN
	MC-136921	1006-	0022-	1	RADIAL PIN SLIP CLUTCH 1-7/16B	SEE PG. 2-5 FOR BREAK DOWN
29	LM-232141	NA	0001-0012	1	TM SPROCKET, PLATE, 39T 60P	SUB TO LM-226531
	LM-226531	1001-1005	0013-0021	1	TM SPROCKET, PLATE, 33T 60P	USE WITH TORQUE TAMER CLUTCH
	LM-226532	1006-	0022-	1	TM SPROCKET, PLATE, 33T 60P	USE WITH RADIAL PIN SLIP CLUTCH
30	LM-234231	1001-1005	0001-0021	1	TM KEY, TORQUE TAMER, 3/8 X 4	USE WITH TORQUE TAMER CLUTCH
	LM-244471	1006-	0022-	1	TM KEY, RADIAL PIN SLIP CLUTCH	USE WITH RADIAL PIN SLIP CLUTCH
31	MC-103066	1001	0001-0021	1	SPROCKET, 80P, 11T, 1-7/16B, HD	SUB TO MC-135491 AND MC-135511
	MC-135491	1002-	0022-	1	SPROCKET, 11T 80P TAPER BORE HRD	
	MC-135511	1002-	0022-	1	HUB, SPLIT TAPER 1-7/16	
32	LM-212701			1	TM KEY, BEATER DRIVE, 3/8 X 1-1/2	
33	LM-232151			1	TM ROLLER CHAIN, 58 PIN 60P	SUB TO LP-213252
	LP-213252			1	TM ROLLER CHAIN, 62 PIN 60P	
34	MC-100239			1	LINK, CONNECTING, 60P	SUB TO MC-139361
	MC-139361			1	LINK, CONNECTING, 60P	
35	MC-100240			1	LINK, HALF, 60P	SUB TO MC-139371
	MC-139371			1	LINK, HALF, 60P	
FEEDER HOUSE BEATER DRIVE						
36	LA-235601	NA		1	LM 1-3/8-21 SPLINED COUPLERS, ASM	9600 & 9610 ONLY
	LTA-242191	NA	0022-	1	LTM ASM, HEX DRIVE ADAPTOR	9600 & 9610 ONLY
37	LA-229121	NA	1001-1009	1	TM SHIELD ASM, BEATER DRIVE	
	LM-236231	1001-1005	1010-0021	1	TM SHIELD ASM, BEATER DRIVE	
	LM-236232	1006-	0022-	1	TM SHIELD ASM, BEATER DRIVE	USE WITH RADIAL PIN SLIP CLUTCH
38	MC-103067	NA		1	SPROCKET, 13T, 60P, 1-1/2B, HARD, 3/8 KEY	9600 & 9610 ONLY
39	MC-103113	NA		1	SPROCKET, 15T, 60P, 1-1/2B, HARD, 3/8 KEY	9600 & 9610 ONLY
40	LM-234241	NA		1	TM KEY, FEEDER SHAFT, 9/16 X 3	9600 & 9610 ONLY
NS	LM-241261		NA	1	TM SPROCKET, 15T 60P B POWERLOCK	9500 & 9510 ONLY
NS	MC-136961		NA	1	HUB, POWER LOCK, 1-1/2B	9500 & 9510 ONLY
TENSIONER						
41	MC-100546			1	TENSIONER	
42	MC-100237			1	SPROCKET, IDLER, 15T, 60P, 5/8B	

Model 2950 and Model 2960 Hillco Leveling Systems

**DRIVE COMPONENTS**



Model 2950 and Model 2960 Hillco Leveling Systems

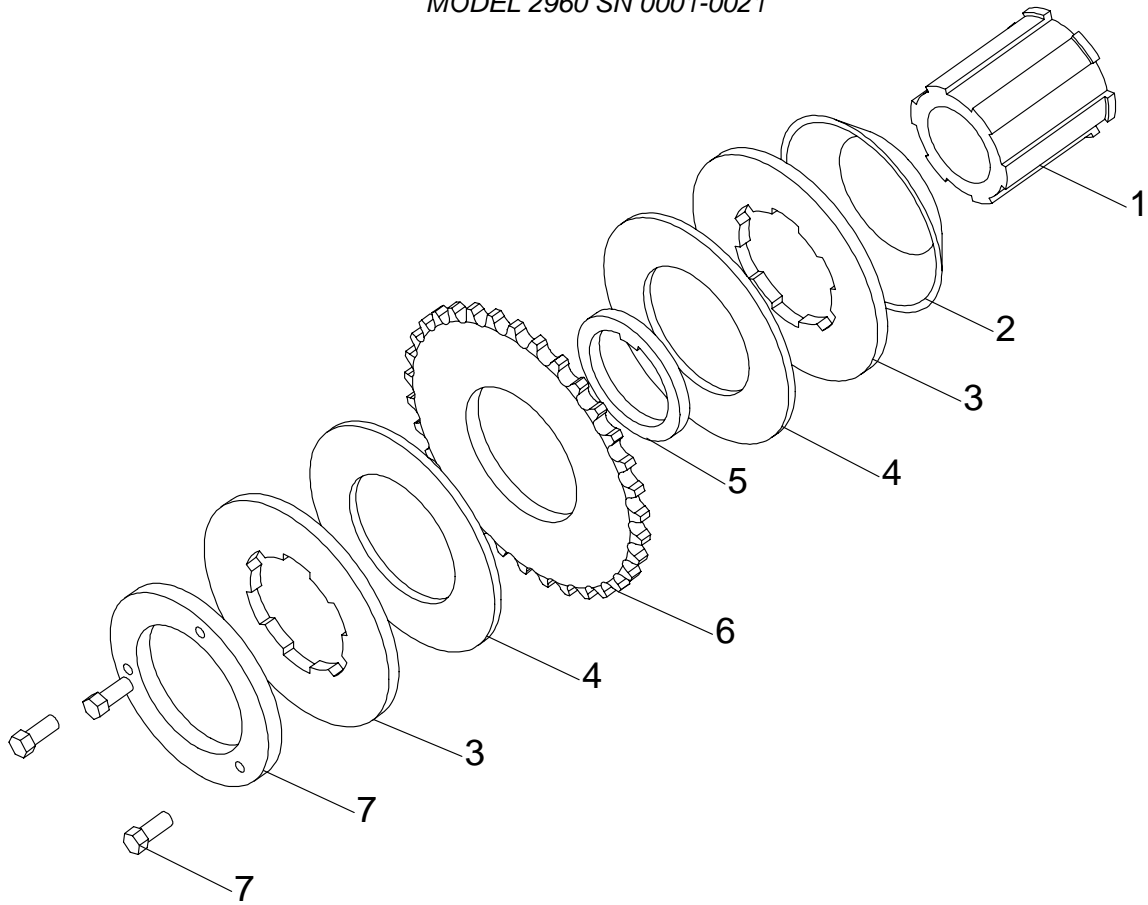
DRIVE COMPONENTS						
REF.	PART NO.	2950 SN	2960 SN	QTY.	PART NAME	NOTES
17	LA-229051			2	TM MOUNT ASM, BEATER	
18	LM-212701			1	TM KEY, BEATER DRIVE, 3/8 X 2	
19	MC-100548			2	INSERT, BEARING, 1-7/16	
20	MC-101339			2	FLANGETTES, RND BEARING (PAIR)	
21	MC-101881	1001	0001-0021	1	SPROCKET, 17T, 80P, 1-7/16B, HARD	SUB TO MC-135501 AND MC-135511
	MC-135501	1002-	0022-	1	SPROCKET, 16T 80P TAPER BORE HRD	
	MC-135511	1002-	0022-	1	HUB, SPLIT TAPER 1-7/16	
22	LM-232161			1	TM ROLLER CHAIN, 28 PIN 80P	SUB TO LP-232162
	LP-232162			1	TM ROLLER CHAIN, 28 PIN 80P	
23	MC-101333			1	CONNECTING LINK, 80P	SUB TO MC-139341
	MC-139341			1	CONNECTING LINK, 80P	
24	MC-101332			1	HALF LINK, 80P	SUB TO MC-139351
	MC-139351			1	HALF LINK, 80P	
TRANSITION THROAT JACK SHAFT						
25	LM-229141	NA	0001-0021	1	TM SHAFT, JACK	USE WITH TORQUE TAMER CLUTCH
	LM-229142		0022-	1	TM SHAFT, JACK	USE WITH RADIAL PIN SLIP CLUTCH
26	MC-100548			2	INSERT, BEARING, 1-7/16	
27	MC-101339			2	FLANGETTES, RND BEARING (PAIR)	NO GREASE ZERK
28	MC-102153	1001-1005	0001-0021	1	CLUTCH, SLIP, 60P, 1-7/16B	SEE PG. 2-5 FOR BREAK DOWN
	MC-136921	1006-	0022-	1	RADIAL PIN SLIP CLUTCH 1-7/16B	SEE PG. 2-5 FOR BREAK DOWN
29	LM-232141	NA	0001-0012	1	TM SPROCKET, PLATE, 39T 60P	SUB TO LM-226531
	LM-226531	1001-1005	0013-0021	1	TM SPROCKET, PLATE, 33T 60P	USE WITH TORQUE TAMER CLUTCH
	LM-226532	1006-	0022-	1	TM SPROCKET, PLATE, 33T 60P	USE WITH RADIAL PIN SLIP CLUTCH
30	LM-234231	1001-1005	0001-0021	1	TM KEY, TORQUE TAMER, 3/8 X 4	USE WITH TORQUE TAMER CLUTCH
	LM-244471	1006-	0022-	1	TM KEY, RADIAL PIN SLIP CLUTCH	USE WITH RADIAL PIN SLIP CLUTCH
31	MC-103066	1001	0001-0021	1	SPROCKET, 80P, 11T, 1-7/16B, HD	SUB TO MC-135491 AND MC-135511
	MC-135491	1002-	0022-	1	SPROCKET, 11T 80P TAPER BORE HRD	
	MC-135511	1002-	0022-	1	HUB, SPLIT TAPER 1-7/16	
32	LM-212701			1	TM KEY, BEATER DRIVE, 3/8 X 1-1/2	
33	LM-232151			1	TM ROLLER CHAIN, 58 PIN 60P	SUB TO LP-213252
	LP-213252			1	TM ROLLER CHAIN, 62 PIN 60P	
34	MC-100239			1	LINK, CONNECTING, 60P	SUB TO MC-139361
	MC-139361			1	LINK, CONNECTING, 60P	
35	MC-100240			1	LINK, HALF, 60P	SUB TO MC-139371
	MC-139371			1	LINK, HALF, 60P	
FEEDER HOUSE BEATER DRIVE						
36	LA-235601	NA		1	LM 1-3/8-21 SPLINED COUPLERS, ASM	9600 & 9610 ONLY
	LTA-242191	NA	0022-	1	LTM ASM, HEX DRIVE ADAPTOR	9600 & 9610 ONLY
37	LA-229121	NA	1001-1009	1	TM SHIELD ASM, BEATER DRIVE	
	LM-236231	1001-1005	1010-0021	1	TM SHIELD ASM, BEATER DRIVE	
	LM-236232	1006-	0022-	1	TM SHIELD ASM, BEATER DRIVE	USE WITH RADIAL PIN SLIP CLUTCH
38	MC-103067	NA		1	SPROCKET, 13T, 60P, 1-1/2B, HARD, 3/8 KEY	9600 & 9610 ONLY
39	MC-103113	NA		1	SPROCKET, 15T, 60P, 1-1/2B, HARD, 3/8 KEY	9600 & 9610 ONLY
40	LM-234241	NA		1	TM KEY, FEEDER SHAFT, 9/16 X 3	9600 & 9610 ONLY
NS	LM-241261		NA	1	TM SPROCKET, 15T 60P B POWERLOCK	9500 & 9510 ONLY
NS	MC-136961		NA	1	HUB, POWER LOCK, 1-1/2B	9500 & 9510 ONLY
TENSIONER						
41	MC-100546			1	TENSIONER	
42	MC-100237			1	SPROCKET, IDLER, 15T, 60P, 5/8B	



Model 2950 and Model 2960 Hillco Leveling Systems

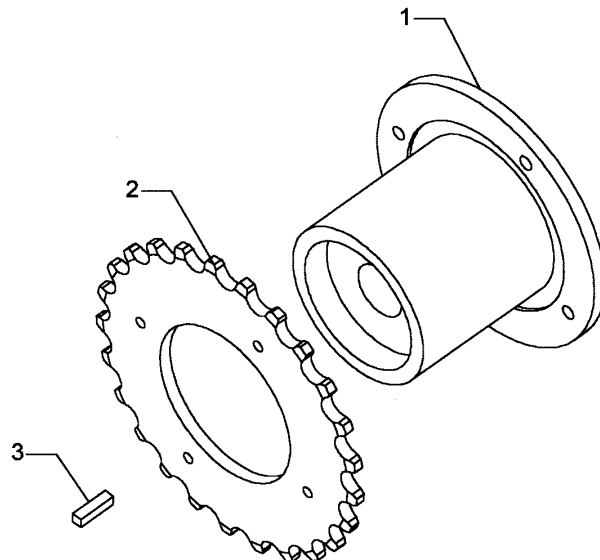
**SLIP CLUTCH – FRICTION**

MODEL 2950 SN 1001-1005  
MODEL 2960 SN 0001-0021



**SLIP CLUTCH – RADIAL PIN**

MODEL 2950 SN 1006 AND AFTER  
MODEL 2960 SN 0022 AND AFTER

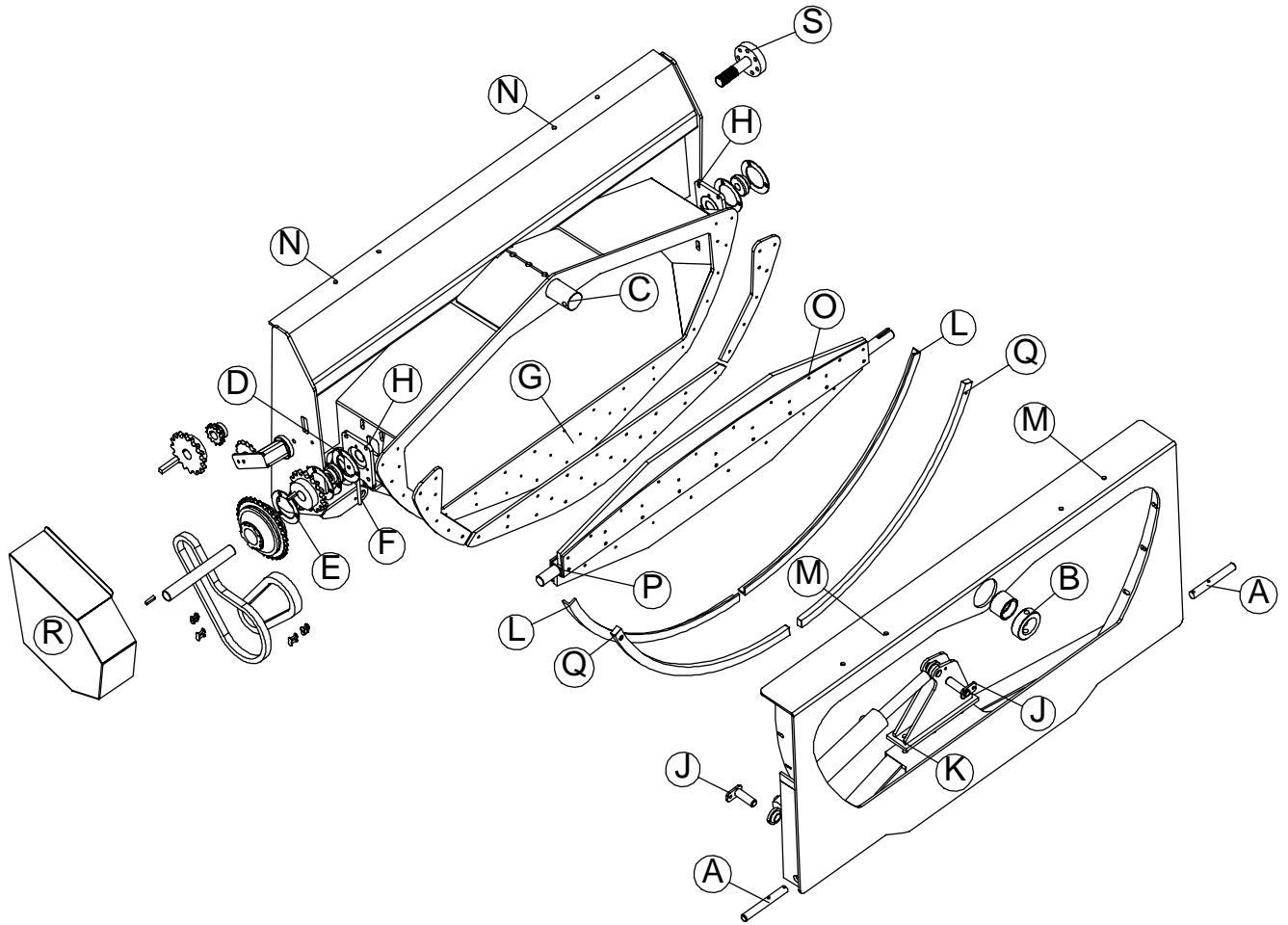


Model 2950 and Model 2960 Hillco Leveling Systems

FRICTION DISK SLIP CLUTCH ASM						
REF.	PART NO.	2950 SN	2960 SN	QTY.	PART NAME	DESCRIPTION
ASM	MC-102153	1001-1005	0001-0021	1	CLUTCH, SLIP, 60P, 1-7/16B	
1	NSS	1001-1005	0001-0021	1	HUB, 1-7/16B	
2	MC-100321	1001-1005	0001-0021	1	SPRING, BELVILLE	
3	NSS	1001-1005	0001-0021	2	PLATE, BACK UP	
4	MC-100323	1001-1005	0001-0021	1	DISK, FRICTION PAIR	
5	MC-100325	1001-1005	0001-0021	1	BUSHING, SINTERED, 3/8	NOT INCLUDED IN MC-102153
6	LM-232141	1001-1005	0001-0021	1	TM SPROCKET, PLATE, 39T 60P	NOT INCLUDED IN MC-102153
7	NSS	1001-1005	0001-0021	1	NUT, TENSIONING WITH BOLTS	

RADIAL PIN SLIP CLUTCH ASM						
REF.	PART NO.	2950 SN	2960 SN	QTY.	PART NAME	NOTES
1	MC-136921	1006-	0022-	1	RADIAL PIN SLIP CLUTCH ASM 1-7/16B	
2	LM-226532	1006-	0022-	1	TM SPROCKET, PLATE, 33T 60P	
3	LM-244471	1006-	0022-	1	TM KEY, RADIAL PIN SLIP CLUTCH	

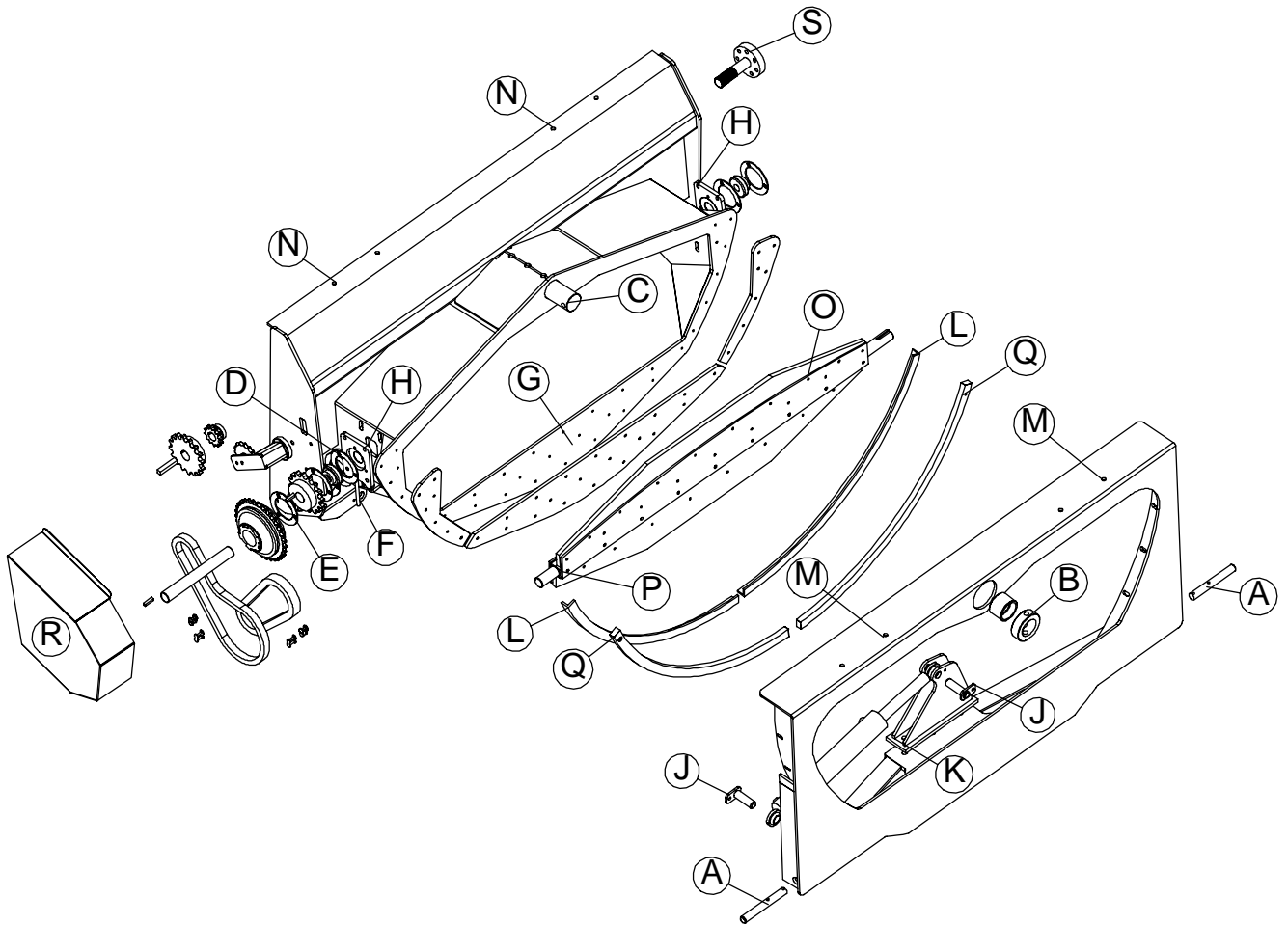
**TRANSITION FASTENERS FOR SN 2960-1009 & BEFORE**



Model 2950 and Model 2960 Hillco Leveling Systems

<b>TRANSITION FASTENERS</b>					
<b>FOR SN 2960-1009 AND BEFORE</b>					
<b>REF.</b>	<b>PART NO.</b>	<b>SN</b>	<b>QTY.</b>	<b>PART NAME</b>	<b>DESCRIPTION</b>
A	F-SHC-06C48		2	SHCS 3/8-16 X 3	HEADER LOCK PIN
A	F-PR-05X20		2	PIN, ROLL 5/16 X 1-1/4	HEADER LOCK PIN
B	F-HC8-10C88	1006-	1	HC8 5/8-16 X 5-1/2	MAIN PIVOT PIN COLLAR
B	F-HNS-10C	1006-	1	HN 5/8-11 STOVER	MAIN PIVOT PIN COLLAR
B	LM-237001	1001-1005	1	NUT, HEX JAM, MAIN PIVOT PIN	MAIN PIVOT PIN
B	F-SS-06C08	1001-1005	1	SET SCREW, 3/8-16 X 1/2	MAIN PIVOT PIN
B	F-PZS-02		1	PIPE ZERK, 1/8 NPT	MAIN PIVOT PIN
C	F-MB-14NR40	1006-	3	MACH BUSH 14 GA NR 2-1/2 ID	MAIN PIVOT PIN
D	F-HC5-06C14		3	HC5 3/8-16 X 7/8	INNER 3-BOLT PB BEARING
D	F-LW-06		3	LW 3/8	INNER 3-BOLT PB BEARING
E	F-CB-06C20		3	BOLT, CARRIAGE 3/8-16 X 1-1/4	OUTER 3-BOLT PB BEARING
E	F-HN5-06C		3	HN5 3/8-16	OUTER 3-BOLT PB BEARING
E	F-LW-06		3	LW 3/8	OUTER 3-BOLT PB BEARING
F	F-HNJ-08C		4	HN5 1/2-13 JAM	BEATER BRNG TAKE-UP BLT
F	F-FWH-08		4	FW 1/2 HD	BEATER BRNG TAKE-UP BLT
G	F-FHS-05F10		34	FHSC 5/16-24 X 5/8	TT FACE PLATE
H	F-CB-08C28		8	BOLT, CARRIAGE 1/2-13 X 1-3/4	TT BEATER BRNG MNT PLT
H	F-HN5-08C		8	HN5 1/2-13	TT BEATER BRNG MNT PLT
H	F-LW-08		8	LW 1/2	TT BEATER BRNG MNT PLT
I	F-HC5-06C14		6	HC5 3/8-16 X 7/8	TT BEATER BRNG MNT PLT
I	F-LW-06		6	LW 3/8	TT BEATER BRNG MNT PLT
J	F-HC5-06C14		2	HC5 3/8-16 x 3/4	SLAVE CYL MNT PIN
J	F-LW-06		2	LW 3/8	SLAVE CYL MNT PIN
K	F-HC8-10C32		3	HC8 5/8-11 X 2	ROD MNT
K	F-HN8-10C		3	HN8 5/8-11	ROD MNT
K	F-LW-10A		3	LW 5/8 HD	ROD MNT
L	F-HC5-06C20		12	HC5 3/8-16 X 1-1/4	BACKING ANGLE
L	F-HN5-06C		12	HN5 3/8-16	BACKING ANGLE
L	F-LW-06		12	LW 3/8	BACKING ANGLE
L	F-FWH-06		12	FW 3/8 HARD	BACKING ANGLE
M	F-CB-08C32		4	BOLT, CARRIAGE 1/2-13 X 2	THA DOGBONE
M	F-HNF-08C		4	HN 1/2-13, FLNG, SERR	THA DOGBONE
N	F-FWH-08		8	FW 1/2 HARD	TT MOUNT
O	F-FC8-06C40		9	HC8 3/8-16 X 2-1/2	BEATER BACKING PLT MNT
O	F-HN8-06C		9	HN8 3/8-16	BEATER BACKING PLT MNT
O	F-LW-06A		9	LW 3/8 HD	BEATER BACKING PLT MNT
P	F-EB-04C20		34	BOLT, ELEVATOR 1/4-20 X 1-1/4	PADDLE MNT
P	F-HNF-04C		34	HN 1/4-20, FLNG, SERR	PADDLE MNT
Q	F-FHS-05F16		14	FHSC 5/16-24 X 1	UHMW BACKING WEAR PAD
Q	F-HNSF-05F		14	HN 5/16-24 STOVER, FLNG	UHMW BACKING WEAR PAD
R	F-THMS-06C96		2	THMS 3/8-16 X 6	BEATER DRIVE SHIELD BOLT
R	F-HNF-06C		2	HN 3/8-16 FLNG, SERR	BEATER DRIVE SHIELD BOLT
S	F-HC8-08C32		7	HC8 1/2-13 X 2	FEEDER HS HEX DRIVE SHAFT
S	F-HNSF-08C		7	HN 1/2-13, STOVER, FLNG	FEEDER HS HEX DRIVE SHAFT
S	F-FWH-08		7	FW 1/2 HARD	FEEDER HS HEX DRIVE SHAFT
NS	F-HNF-06C		1	HN 3/8-16, FLNG, SERR	TRANSITION HOSE CLAMP
NS	F-THMS-06C16		1	THMS 3/8-16 X 1, SLT, SERR	TRANSITION HOSE CLAMP
NS	F-THC-05C12		1	THRD CUT, HWH, 5/16-18 X 3/4	TRANSITION HOSE CLAMP
NS	F-CB-05C16		2	BOLT, CARRIAGE 5/16-18 X 1	TRANSITION HOSE CLAMP
NS	F-HNF-05C		2	HN 5/16-18, FLNG, SERR	TRANSITION HOSE CLAMP
NS	MC-100168		5	HOSE CLAMP, R/C, 1-1/4	TRANSITION HOSE CLAMP

**TRANSITION FASTENERS FOR  
SN 2950-1001 & AFTER AND SN 2960-1010 & AFTER**



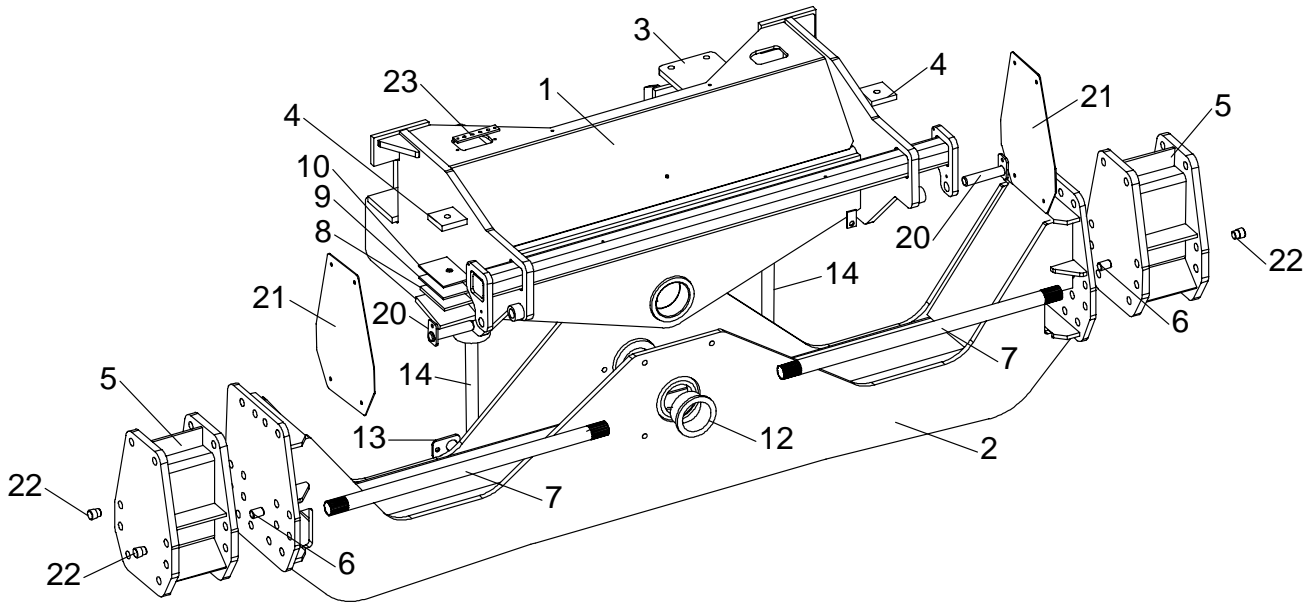
Model 2950 and Model 2960 Hillco Leveling Systems

TRANSITION FASTENERS					
FOR HILLCO SN 2950-1001 AND AFTER AND SN 2960-1010 AND AFTER					
REF.	PART NO.	SN	QTY.	PART NAME	DESCRIPTION
A	F-HC-10M070F		2	MM HC 8.8 M10 X 1.50 X 70	THA HEADER LOCK
A	F-PR-05X20		2	PIN, ROLL 5/16 X 1-1/4	THA HEADER LOCK
B	F-HC-16M140E		1	MM HC-10.9 M16 X 2.00 X 120	MAIN PIVOT PIN COLLAR
B	F-HNS-16ME		1	MM HN-10.9 M16 X 2.00 STOVER	MAIN PIVOT PIN COLLAR
C	F-MB-14NR40		3	MACH BUSH 14 GA NR 2-1/2 ID	MAIN PIVOT PIN
D	F-HCF-10M020F		3	MM HC-8.8 M10 X 1.50 X 20, FLNG.	INNER 3-BOLT PB BEARING
E	F-CB-10M030F		3	MM CARR-8.8 M10 X 1.50 X 30	OUTER 3-BOLT JACK SHAFT BEARING
E	F-HNF-10MF		3	MM HN-8.8 M10 X 1.50, FLNG.	OUTER 3-BOLT JACK SHAFT BEARING
F	F-FWH-12M		4	1/2 FW HD	BEATER BRNG TAKE-UP BLT
F	F-HN-12MF		4	MM HN-8.8 M12 X 1.75 JAM	BEATER BRNG TAKE-UP BLT
G	F-FHS-8M015E		34	MM FHSC-10.9 M8 X 1.25 X 15	TT FACE PLATE
H	F-CB-12M040F		8	MM CARR-8.8 M12 X 1.75 X 40	TT BEATER BRNG MNT PLT
I	F-HCF-10M020F		6	MM HC-8.8 M10 X 1.50 X 20, FLNG.	TT BEATER BRNG MNT PLT
I	F-HNF-12MF		6	MM HN-8.8 M12 X 1.75, FLNG.	TT BEATER BRNG MNT PLT
J	F-HCF-10M020F		2	MM HC-8.8 M10 X 1.50 X 20, FLNG.	SLAVE CYL MNT PIN
K	F-HCF-16M050E		3	MM HC-10.9 M16 X 2.00 X 50, FLNG.	ROD MNT
K	F-HNF-16ME		3	MM HN-10.9 M16 X 2.00, FLNG.	ROD MNT
L	F-HNF-10ME		12	MM HN-10.9 M10 X 1.50, FLNG.	BACKING ANGLE
L	F-FWH-10M		12	MM FW 10 HD	BACKING ANGLE
L	F-HC-10M030F		12	MM HC-8.8 M10 X 1.50 X 30	BACKING ANGLE
M	F-HNF-12ME		4	<i>JD SN 686329 AND BELOW</i> MM HN-10.9 M12 X 1.75, FLNG.	THA DOGBONE
M	F-HNF-16ME		4	<i>JD SN 686330 AND ABOVE</i> MM HN-10.9 M16 X 2.00, FLNG.	THA DOGBONE
N	F-HCF-12M050E		4	<i>JD SN 686329 AND BELOW</i> MM HC-10.9 M12 X 1.75 X 40, FLNG.	TRANSITION MNT
N	F-HCF-16M060E		4	<i>JD SN 686330 AND ABOVE</i> MM HC-10.9 M16 X 2.00 X 40, FLNG.	TRANSITION MNT
O	F-HCF-10M060E		9	MM HC-10.9 M10 X 1.50 X 60, FLNG.	BEATER BACKING MNT PLT
O	F-HNF-10ME		9	MM HN-10.9 M10 X 1.50, FLNG.	BEATER BACKING MNT PLT
P	F-EB-04C20		34	BOLT, ELEVATOR, 1/4-20 x 1-1/4	PB PADDLES
P	F-HNF-04C		34	HN 1/4-20, FLNG., SERR.	PB PADDLES
Q	F-FHS-8M025E		14	MM FHSC-10.9 M8 X 1.25 X 25	UHMW BACKING WEAR PAD
Q	F-HNN-8ME		14	MM HN-10.9 M8 X 1.25 NYLOCK	UHMW BACKING WEAR PAD
R	F-HNF-10MF		2	MM HN 8.8 M10 X 1.25, FLNG.	BEATER DRIVE SHIELD BOLT
R	F-HC-10M020F		2	MM HC 8.8 M10 X 1.5 X 20	BEATER DRIVE SHIELD BOLT
S	F-HC8-08C32		7	HC8 1/2-13 X 2	FEEDER HOUSE HEX DRIVE SHAFT
S	F-HNS-08C		7	HN 1/2-13, STOVER, FLNG	FEEDER HOUSE HEX DRIVE SHAFT
S	F-FWH-08		7	FW 1/2 HARD	FEEDER HOUSE HEX DRIVE SHAFT

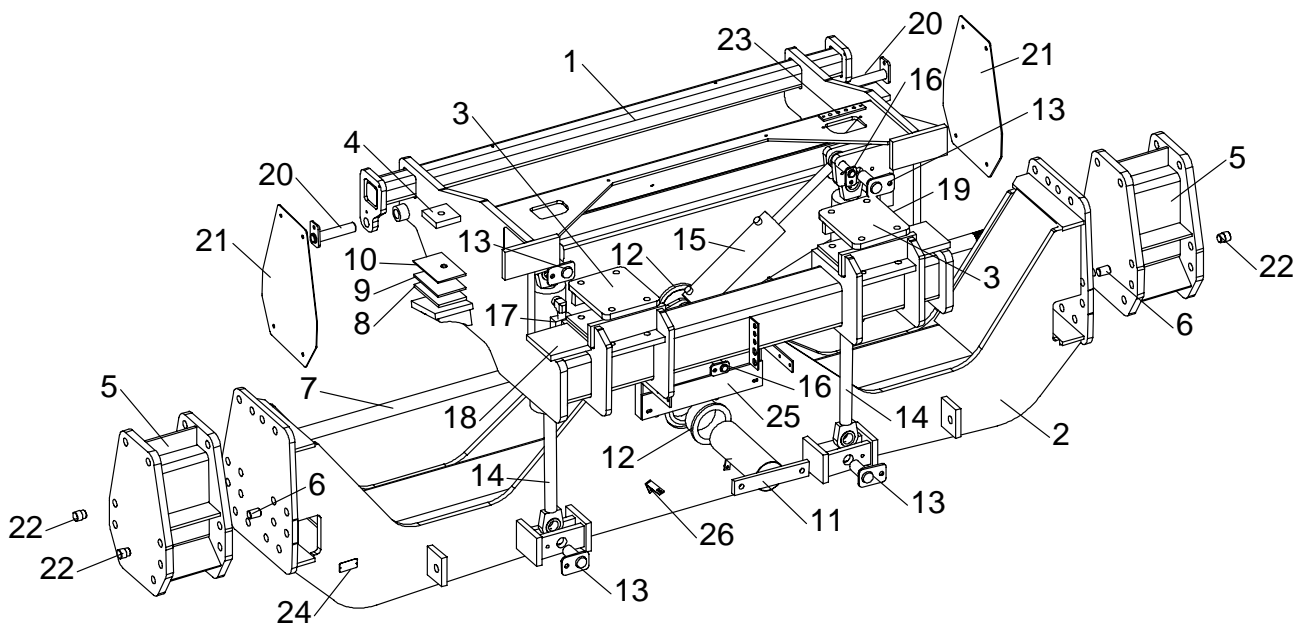
Model 2950 and Model 2960 Hillco Leveling Systems

**3 CARRIAGE**

*FRONT VIEW*



*REAR VIEW*



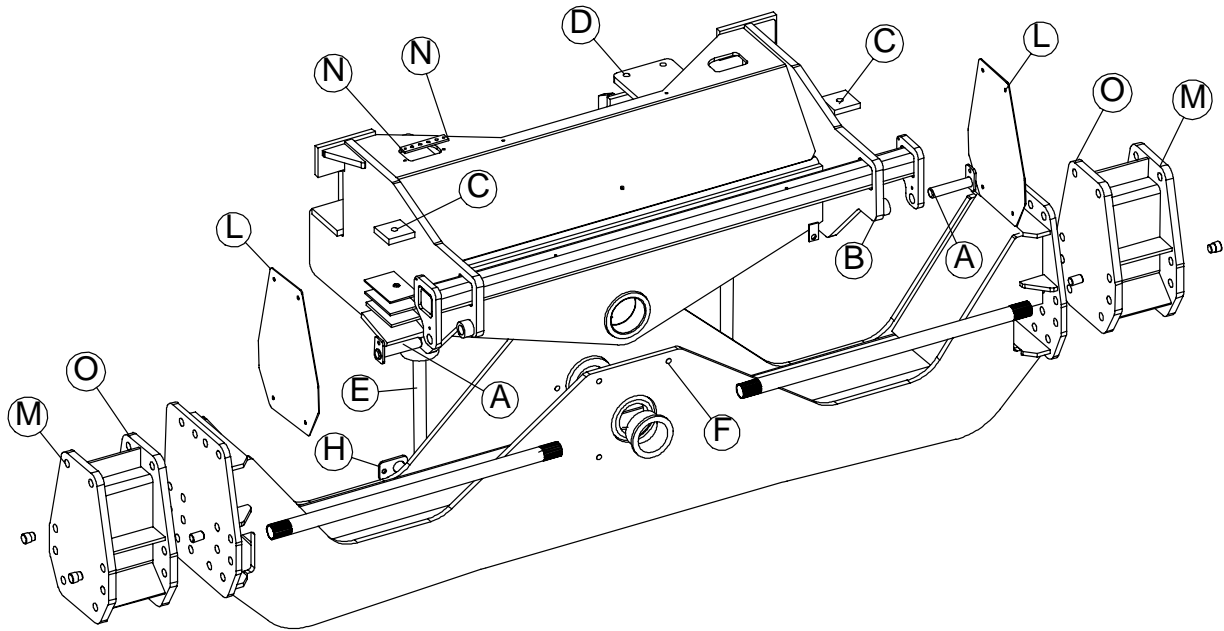
Model 2950 and Model 2960 Hillco Leveling Systems

CARRIAGE						
REF.	PART NO.	2950 SN	2960 SN	QTY.	PART NAME	NOTES
1	LA-228451	NA	0001-0012	1	CO OVERCARRIAGE ASM	
	LA-228452	NA	0013-	1	CO OVERCARRIAGE ASM	
2	LA-228581	NA	0001-0012	1	CU UNDERCARRIAGE ASM	
	LA-228582	NA	0013-	1	CU UNDERCARRIAGE ASM	FOR USE WITH PLANETARY FINAL DRIVES
	LA-238151	NA	0013-	1	CU UNDERCARRIAGE ASM	OPTIONAL 113.375" FOR RING AND PINNION FINALS AND SINGLE TIRES
	LA-238271	NA	0013-	1	CU UNDERCARRIAGE ASM	OPTIONAL 131.875" FOR RING AND PINNION FINALS AND DUAL TIRES
	LA-240461		NA		CU UNDERCARRIAGE ASM	
3	LA-228681			2	CM PLATE ASM, AXLE BOLT	
4	LM-230631			2	CM PAD, CO MOUNT TOP	
5	LA-228791	NA	1006-	2	CM EXTENSION ASM, 9 INCH	OPTIONAL (RING GEAR AND PINION)
	LA-236741	NA		2	CM EXTENSION ASM, 5 INCH	OPTIONAL
	LM-229221	NA		2	CM PLATE, EXTENSION 1 INCH	OPTIONAL (PLANETARY)
6	LM-230751	NA	1002-	4	CM DOWEL, RING GEAR FINAL	RING GEAR AND PINION
7	MC-133061	NA		2	SHAFT, COUNTER	RING GEAR AND PINION, NO EXTENSIONS
	MC-133071	NA		2	SHAFT, COUNTER	RING GEAR AND PINION, 5 IN. EXTENSIONS
	MC-133081	NA		2	SHAFT, COUNTER	RING GEAR AND PINION, 9 IN. EXTENSIONS
	MC-133091	NA		2	SHAFT, COUNTER	PLANETARY, NO EXTENSIONS
	MC-134281		NA	1	SHAFT, COUNTER	(RG&P) 1126.5 mmx18 tooth, LH
	MC-134291		NA	1	SHAFT, COUNTER	(RG&P) 849.5 mmx18 tooth, RH
8	LM-230621			2	CM SPACER, CO MOUNT 3/8	
9	LM-230611			2	CM SPACER, CO MOUNT 1/4	
10	LM-230641			2	CM SPACER, CO MOUNT 3/16	
11	LA-229251			1	CM PIN ASM, MAIN PIVOT	
12	LP-103871			2	CO BUSHING, PIVOT	
13	LA-230551			4	CM PIN ASM, MAIN CYLINDER	
14	HC-103228			2	CYLINDER, MAIN LEVELING	SEE PG. 8-7
15	HC-101842			1	CYLINDER, MASTER	SEE PG. 8-7
16	LA-229071			2	TM PIN ASM, TRIM CYLINDER	
17	HC-101265			2	VALVE, COUNTER BALANCE	SEE PG. 8-7
18	LM-206841		0001-0012	1	HM ADAPTER, 90 DEG W/ PILOT RT	
19	LM-206851		0001-0012	1	HM ADAPTER, 90 DEG W/ PILOT LFT	
20	LA-234141	NA	0001-0012	2	CM PIN ASM, HEADER LIFT	
	LM-229483		0013-	2	CM PIN, HEADER LIFT	
21	LP-230241			2	CM CAP, AXLE	
22	LM-230271	NA	0001-0012	4	CM DOWEL, FINAL	
23	LM-234291	NA		1	CM BULKHEAD, GREASE	
24	LL20-100790			1	PLATE, SERIAL NUMBER	
25	LA-236491			1	CM MOUNT ASM, CONTROL BOX	
26	LM-229431			2	EM MOUNT, LIMIT SWITCH STOP	

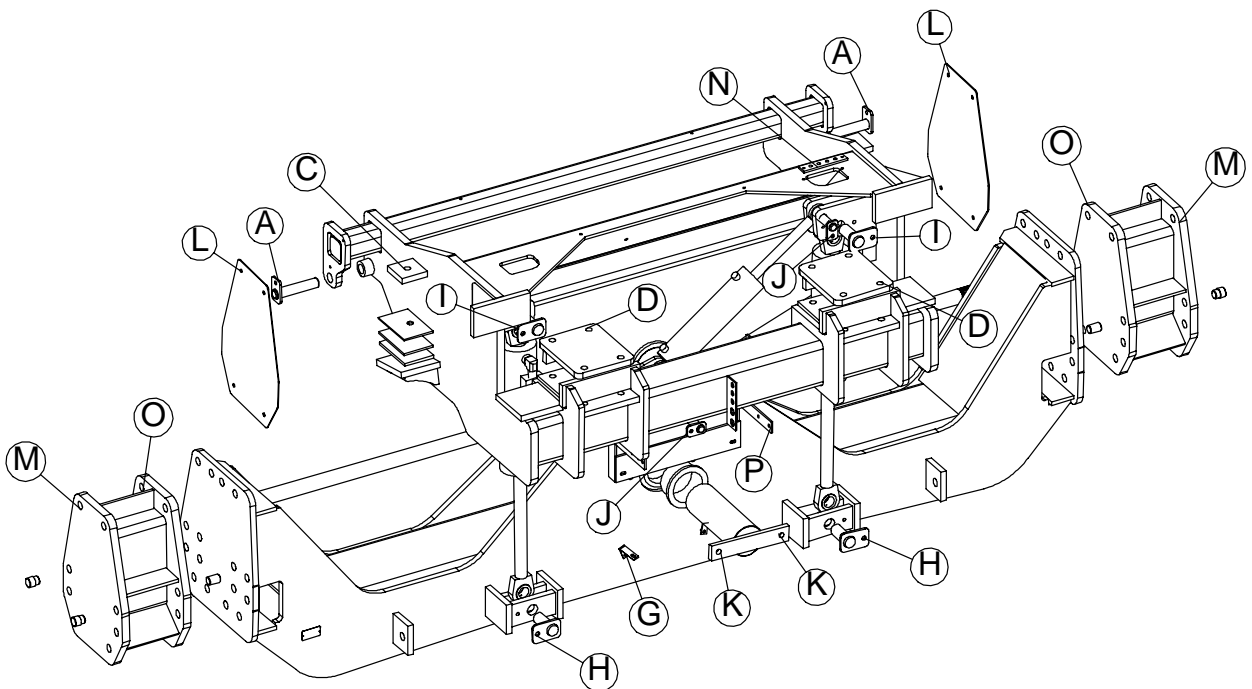


### CARRIAGE FASTENERS

FRONT VIEW



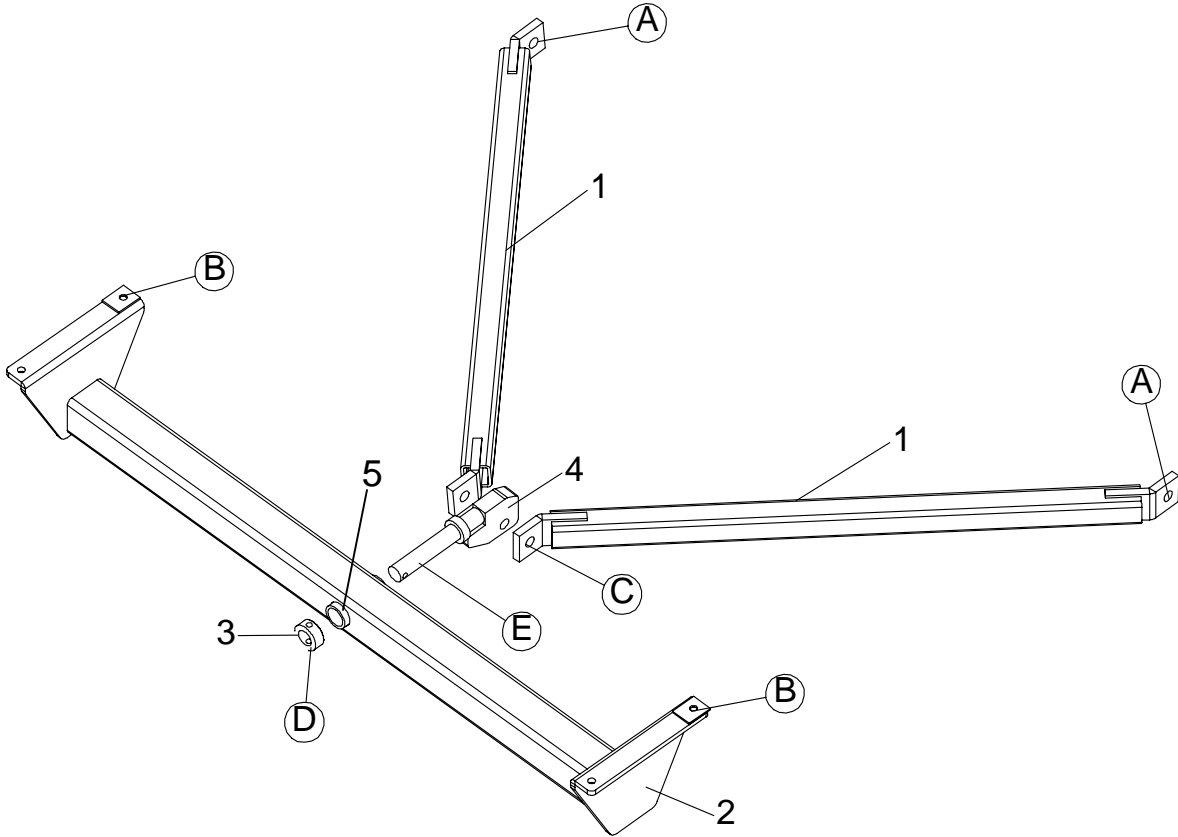
REAR VIEW



Model 2950 and Model 2960 Hillco Leveling Systems

CARRIAGE FASTENERS						
REF.	PART NO.	2950 SN	2960 SN	QTY.	PART NAME	NOTES
A	F-HC5-06C12	NA	0006-0012	2	HC5 3/8-16 X 3/4	BUTT END HEADER LIFT CYL
A	F-LW-06	NA	0006-0012	2	LW 3/8	BUTT END HEADER LIFT CYL
A	F-PCT-04X48	NA	0001-0005	4	PIN, COTTER 1/4 X 3	BUTT END HEADER LIFT CYL
A	F-MB-10NR20	NA	0001-0005	4	MACH BUSH, 10 GA NR 1-1/4	BUTT END HEADER LIFT CYL
B	MC-100168	NA	0001-0012	2	HOSE CLAMP, R/C, 1-1/4	HEADER LIFT CYL HOSES
B	F-THC-05C12	NA	0001-0012	3	THRD CUT, HWH, 5/16-18 X 3/4	HDR LIFT CYL HOSES & SHIFT CABLE MNT
C	F-HC8-10C112	NA	0001-0012	2	HC8 5/8-11 X 7	FRONT OVERCARRIAGE MNT
C	F-FWH-10	NA	0001-0012	4	FW 5/8 HARD	FRONT OVERCARRIAGE MNT
C	F-LW-10A	NA	0001-0009	2	LW 5/8 HD	FRONT OVERCARRIAGE MNT
C	F-HN8-10C	NA	0001-0012	2	HN8 5/8-11	FRONT OVERCARRIAGE MNT
C	F-HC-16M180E		0013-	2	MM HC-10.9 M16 X 2.00 X 180	FRONT OVERCARRIAGE MNT
C	F-FWH-10		0013-	4	FW 5/8 HD Plated	FRONT OVERCARRIAGE MNT
C	F-HNS-16ME		0013-	2	MM HN-10.9 M16 X 2.00 STOVER	FRONT OVERCARRIAGE MNT
D	F-HC8-12C240	NA		8	HC8 3/4-10 X 15	REAR OVERCARRIAGE MNT
D	F-HC8-12C256		NA	8	HC8 3/4-10 X 16 PLATED	REAR OVERCARRIAGE MNT
D	F-HNS-12C			8	HN8 3/4-10 STOVER	REAR OVERCARRIAGE MNT
D	F-LW-12A			8	LW 3/4 HD	REAR OVERCARRIAGE MNT
E	MC-101343	NA		2	CLAMP, HOSE, RC 2-7/16	MAIN CYL HYDRAULIC LINES
F	F-HC-16M100E	NA	0001-0012	2	MM HC 10.9 16 X 2 X 100	TRANSMISSION
F	F-HNF-16M	NA	0001-0009	2	MM HN 16 X 2, FLNG, SERR	TRANSMISSION
F	F-HNN-16M	NA	0001-0012	2	MM HN 16 X 2, NYLOCK	TRANSMISSION
F	F-FW-16M	NA	0001-0012	2	MM FW 16	TRANSMISSION
F	F-HCF-16M080E		0013-	4	MM FLHC-10.9 M16 X 2.00 X 80	TRANSMISSION
G	F-THC-05C12	NA	0001-0012	2	THRD CUT, HWH, 5/16-18 X 3/4	LIMIT SWITCH ACTUATOR
G	F-HNF-04C			4	HN 1/4-20, FLNG, SERR	LIMIT SWITCH ACTUATOR
G	F-EB-04C20			2	BOLT, ELEVATOR 1/4-20 X 1-1/4, PLT	LIMIT SWITCH ACTUATOR
H	F-HC5-08C20	NA	0001-0012	2	HC5 1/2-13 X 1-1/4	LOWER MAIN CYL MNT PIN
H	F-LW-08	NA	0001-0012	2	LW 1/2	LOWER MAIN CYL MNT PIN
H	F-HCF-12M025F		0013-	2	MM FLHC-8.8 M12 X 1.75 X 25	LOWER MAIN CYL MNT PIN
I	F-HC5-08C20	NA	0001-0012	2	HC5 1/2-13 X 1-1/4	TOP MAIN CYL MNT PIN
I	F-LW-08	NA	0001-0012	2	LW 1/2	TOP MAIN CYL MNT PIN
I	F-HCF-12M025F		0013-	2	MM FLHC-8.8 M12 X 1.75 X 25	TOP MAIN CYL MNT PIN
J	F-HC5-06C12	NA	0001-0012	2	HC5 3/8-16 X 3/4	MASTER CYL MNT PIN
J	F-LW-06	NA	0001-0012	2	LW 3/8	MASTER CYL MNT PIN
J	F-HCF-10M020E		0013-		MM FLHC-10.9 M10 X 1.50 X 20	MASTER CYL MNT PIN
K	F-HC8-10C36	NA	0001-0012	2	HC8 5/8-11 X 2-1/4	MAIN PVT PIN
K	F-HN5-10C	NA	0001-0012	2	HN8 5/8-11 STOVER	MAIN PVT PIN
K	F-HC5-10F16	NA	0001-0012	1	HC5 5/8-18 X 1	MAIN PVT PIN
K	F-HC-16M060E		0013-	2	MM HC-10.9 M16 X 2.00 X 60	MAIN PVT PIN
K	F-HNS-16ME		0013-	2	MM HN-10.9 M16 X 2.00 STOVER	MAIN PVT PIN
L	F-THMS-06C24	NA	0001-0012	8	THMS 3/8-16 X 1-1/2,SLT, SERR.	ORIGINAL AXLE COVER
L	F-FWF-06X20	NA	0001-0012	8	WASHER, FENDER, 3/8 X 1-1/4	ORIGINAL AXLE COVER
L	F-HNN-06C	NA	0001-0012	8	HN2 3/8-16, NYLOCK	ORIGINAL AXLE COVER
L	F-HC-10M040F		0013-	8	MM HC-8.8 M10 X 1.50 X 40	ORIGINAL AXLE COVER
L	F-FWF-06020		0013-	8	3/8 FW FENDER X 1-1/4	ORIGINAL AXLE COVER
L	F-HNF-10MF		0013-	8	MM FLHN-8.8 M10 X 1.50	ORIGINAL AXLE COVER
M	F-HC-24M160E	NA	0002-0012	6	MM HC 10.9 24 X 3.0 X 160	FINALS
N	F-HC5-04C16	NA		2	HC5 1/4-20 X 1	GREASE BULKHEAD
N	F-HNF-04C	NA		2	HN5 1/4-20, FLNG., SERR.	GREASE BULKHEAD
O	F-HC8-16C48	NA	0002-	12	HC8 1-8 X 3	EXTENSIONS, 5" AND 9"
O	F-LWH-16	NA	0002-	12	LW 1 HD	EXTENSIONS, 5" AND 9"
O	F-HN8-16C	NA	0002-	12	HN8 1-8	EXTENSIONS, 5" AND 9"
P	F-HC5-06C20	NA	0001-0012	4	HC5 3/8-16 X 1-1/4	CONTROL BOX MOUNT BRKT
P	F-HN5-06C	NA	0001-0012	4	HN5 3/8-16	CONTROL BOX MOUNT BRKT
P	F-LW-06	NA	0001-0012	4	LW 3/8	CONTROL BOX MOUNT BRKT
P	F-HC-10M025F		0013-	4	MM HC-8.8 M10 X 1.50 X 25	CONTROL BOX MOUNT BRKT
P	F-HNF-10MF		0013-	4	MM FLHN-8.8 M10 X 1.50	CONTROL BOX MOUNT BRKT
Q	F-HC5-04C16	NA	0010-0012	2	HC5 1/4-20 X 1	GREASE BULKHEAD
Q	F-HNF-04C	NA	0010-0012	2	HN5 1/4-20, FLNG., SERR.	GREASE BULKHEAD

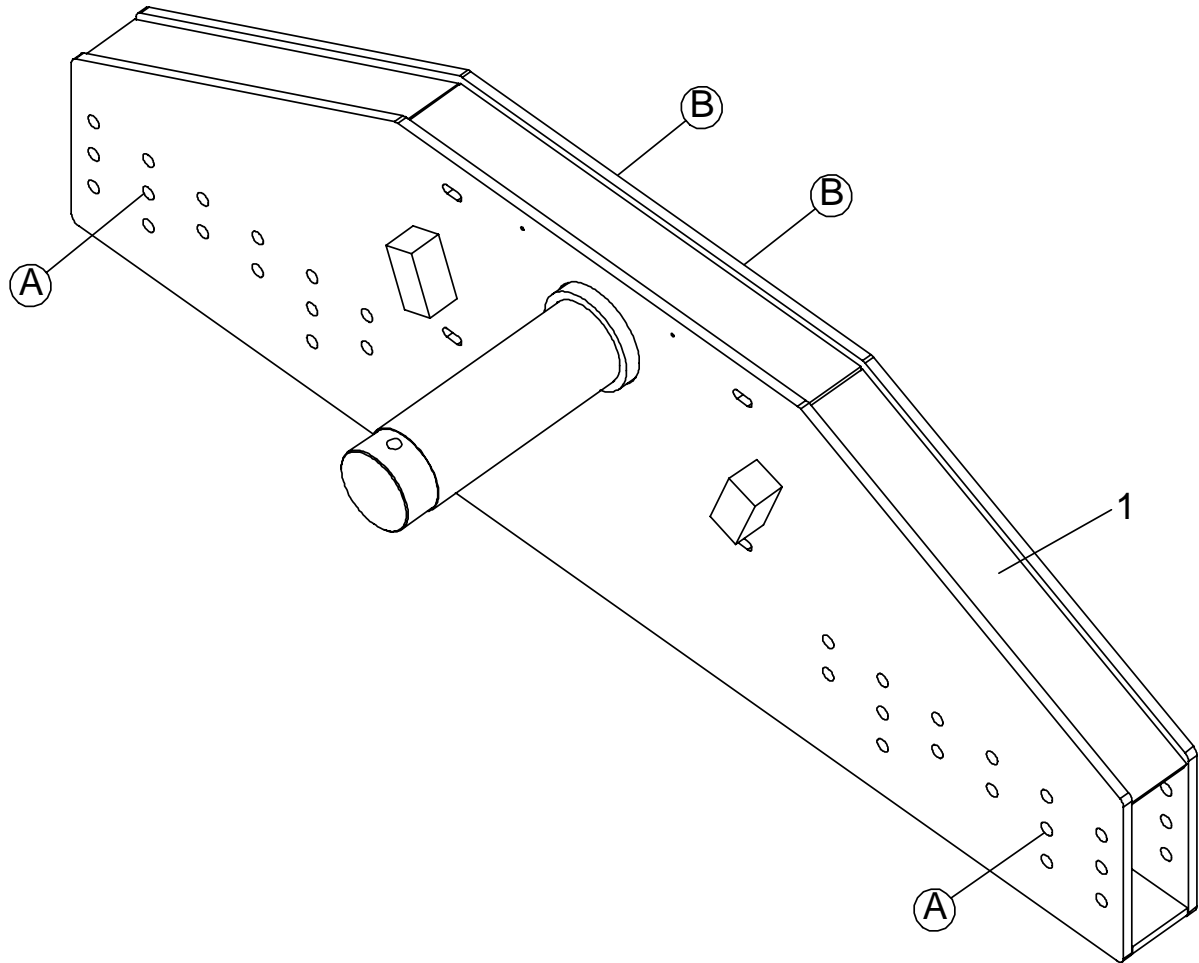
**4 Y-BRACE**



Model 2950 and Model 2960 Hillco Leveling Systems

Y-BRACE						
REF.	PART NO.	2950 SN	2960 SN	QTY.	PART NAME	NOTES
1	LA-228701			2	YB ARM ASM	
2	LA-228721	NA		1	YB SUPPORT ASM, CROSS	
	LA-240481		NA	1	YB SUPPORT ASM, CROSS	
3	LM-234101			1	YB COLLAR, PIVOT PIN	
4	LA-228761			1	YB PIN ASM, PIVOT	
5	MC-135431			2	BUSHING, PLANE	
Y-BRACE FASTENERS						
A	F-HC8-16C44	NA	0001-0012	2	HC8 1-8 X 2-3/4	Y-BRACE FRNT MNT
A	F-HNSF-16C	NA	0001-0012	2	HN8 1-8 STOVER, FLNG	Y-BRACE FRNT MNT
A	F-HC-24M070E		0013-		MM HC-10.9 M24 X 3.00 X 70	Y-BRACE FRNT MNT
A	F-HNS-24ME		0013-		MM HN-10.9 M24 X 3.00 STOVER	Y-BRACE FRNT MNT
B	F-HC8-10C88	NA	0001-0012	4	HC8 5/8-11 X 5-1/2	Y-BRACE FRAME MNT
B	F-HNSF-10C	NA	0001-0012	4	HN8 5/8-11 STOVER, FLNG	Y-BRACE FRAME MNT
B	F-FWH-10	NA	0001-0012	8	FW 5/8 HARD	Y-BRACE FRAME MNT
B	F-HC-16M140E		0013-	4	MM HC-10.9 M16 X 2.00 X 140	Y-BRACE FRAME MNT
B	F-HNS-16ME		0013-	4	MM HN-10.9 M16 X 2.00 STOVER	Y-BRACE FRAME MNT
B	F-FWH-10		0013-	8	FW 5/8 HD Plated	Y-BRACE FRAME MNT
C	F-HC8-16C56	NA	0001-0012	1	HC8 1-8 X 3-1/2	Y-BRACE REAR MNT
C	F-HNSF-16C	NA	0001-0012	1	HN8 1-8 STOVER, FLNG	Y-BRACE REAR MNT
C	F-HC-24M110E		0013-	1	MM HC-10.9 M24 X 3.00 X 110	Y-BRACE REAR MNT
C	F-HNS-24ME		0013-	1	MM HN-10.9 M24 X 3.00 STOVER	Y-BRACE REAR MNT
D	F-HC8-08C48	NA	0006-	1	HC8 1/2-13 X 3	Y-BRACE PVT PIN COLLAR
D	F-HNSF-08C	NA	0006-	1	HN8 1/2-13 STOVER, FLNG	Y-BRACE PVT PIN COLLAR
D	F-HC-12M080E		0013-	1	MM HC-10.9 M12 X 1.75 X 80	Y-BRACE PVT PIN COLLAR
D	F-HNS-12ME		0013-	1	MM HN-10.9 M12 X 1.75 STOVER	Y-BRACE PVT PIN COLLAR
E	F-HNC-24F	NA	0001-0005	1	HN SLT, 1-1/2-12	Y-BRACE PVT PIN
E	F-PCT-05X48	NA	0001-0005	1	PIN, COTTER 5/16 X 3	Y-BRACE PVT PIN
E	F-MB-18NR24			20	MACH BUSH 18 GA NR 1-1/2 ID	Y-BRACE PVT PIN

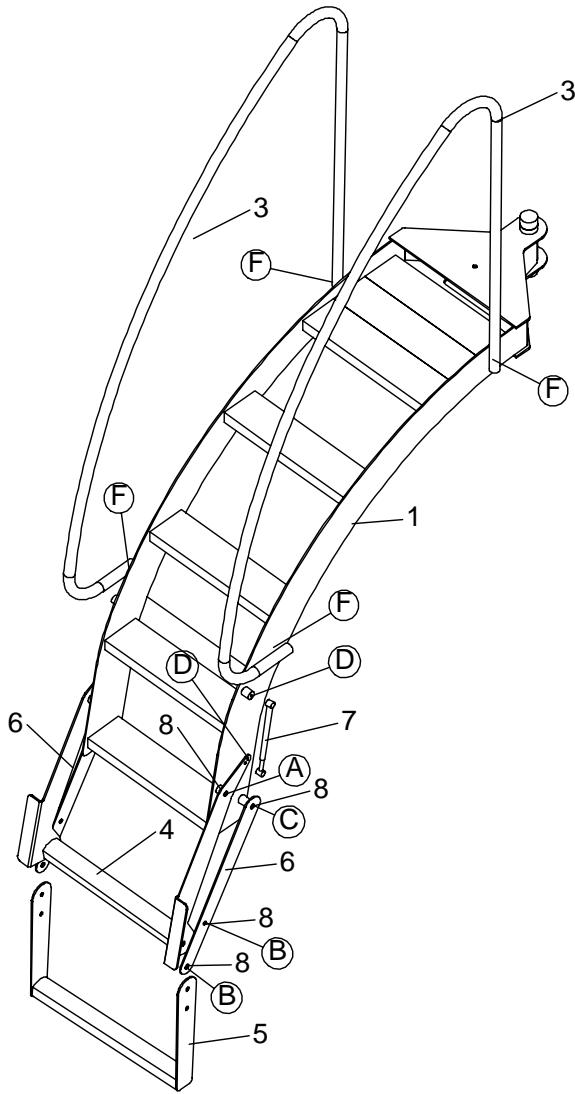
**5 DROP AXLE**



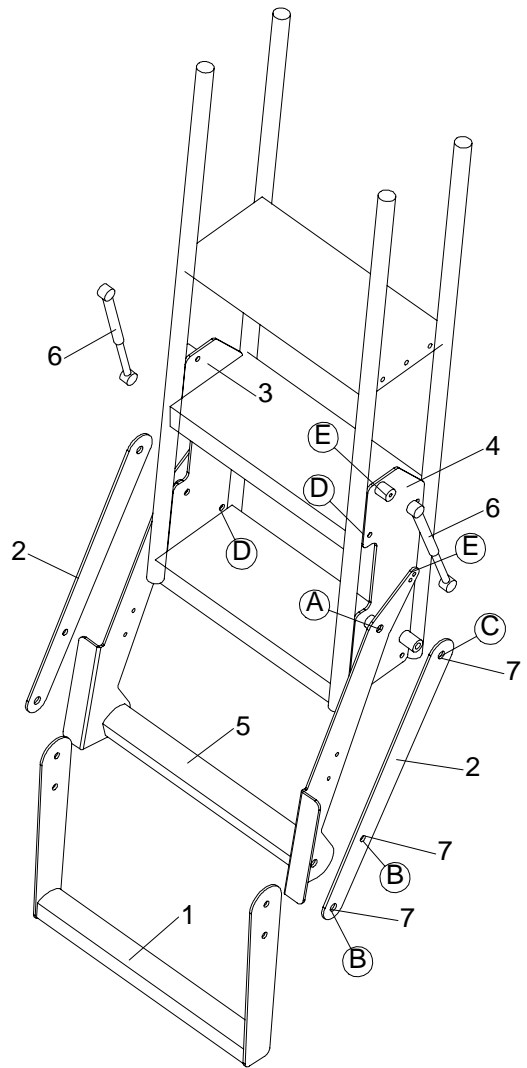
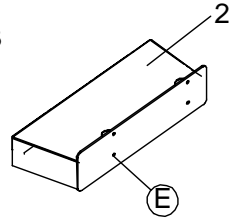
## Model 2950 and Model 2960 Hillco Leveling Systems

<b>DROP AXLE</b>						
<b>REF.</b>	<b>PART NO.</b>	<b>2950 SN</b>	<b>2960 SN</b>	<b>QTY.</b>	<b>PART NAME</b>	<b>NOTES</b>
1	LA-228811			1	DA AXLE ASM, DROP	
<b>DROP AXLE FASTENERS</b>						
A	F-HC-20M160E			8	MM HC 10.9 20 X 2.5 X 160	REAR AXLE
A	F-HC-20M210E			4	MM HC 10.9 20 X 2.5 X 210	REAR AXLE
A	F-HN-20ME		0002-	12	MM HN 10.9 20 X 2.5	REAR AXLE
B	F-HC5-04C28	NA	0001-0012	2	HC5 1/4-20 X 1-3/4	REAR AXLE STEERING HOSE MOUNTS
B	F-LW-04	NA	0001-0012	2	LW 1/4	REAR AXLE STEERING HOSE MOUNTS
B	F-FW-04	NA	0001-0012	2	FW 1/4	REAR AXLE STEERING HOSE MOUNTS
B	F-HCF-06M045F			2	MM FLHC-8.8 M6 X 1.00 X 45	REAR AXLE STEERING HOSE MOUNTS

### 6 LADDER



LADDER FOR MODEL 2960  
SN 2960-0001 THROUGH  
SN 2960-0009



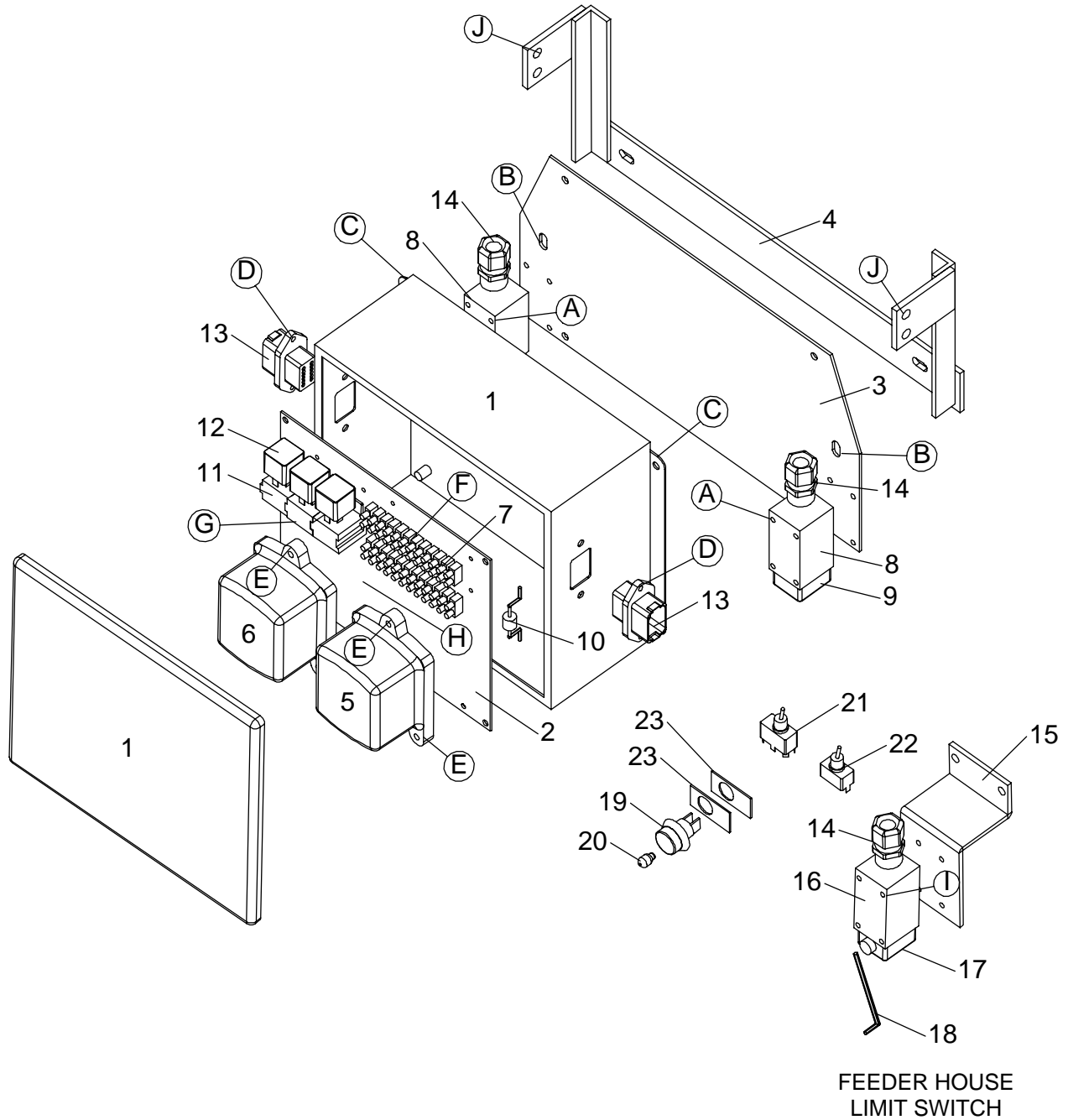
LADDER FOR MODEL 2960  
SN 2960-0010 AND AFTER

## Model 2950 and Model 2960 Hillco Leveling Systems

2960 EARLY SN LADDER						
REF.	PART NO.	2950 SN	2960 SN	QTY.	PART NAME	NOTES
1	LA-236241	NA	0001-0009	1	LM ASM, LADDER	
2	LA-236341	NA	0001-0009	1	LM ASM, PLATFORM EXT	
3	LM-236321	NA	0001-0009	2	LM HANDRAIL	
4	LA-236891	NA	0001-0009	1	LM STEP ASM, 2960 FOLDING LDR UPR	
5	LA-236881	NA	0001-0009	1	LM STEP ASM, 2960 FOLDING LDR LWR	
6	LM-236051	NA	0001-0009	2	LM LINK, FOLDING LADDER	
7	MC-134921	NA	0001-0009	2	GAS CHARGES LIFT SUPPORT	LADDER
NS	MC-134931	NA	0001-0009	2	LIFT SUPPORT BRACKET PAIR	LADDER
8	MC-134941	NA	0001-0009	8	FLANGED BUSHING, OILITE, 1/2 ID X 5/8 OD X 5/16	LADDER PVT BUSHING
LADDER FASTENERS						
A	F-HC5-08C32	NA	0001-0009	2	HC5 1/2-13 X 2	LADDER TOP SIDE PLATE PIVOT
A	F-HNS-08C	NA	0001-0009	2	HN 1/2-13 STOVER	LADDER TOP SIDE PLATE PIVOT
B	F-HC5-08C20	NA	0001-0009	4	HC5 1/2-13 X 1-1/4	LADDER MIDDLE PIVOTS
B	F-HNS-08C	NA	0001-0009	4	HN 1/2-13 STOVER	LADDER MIDDLE PIVOTS
C	F-HC5-08C40	NA	0001-0009	2	HC5 1/2-13 X 2-1/2	LADDER BOTTOM SIDE PLT PIVOTS
C	F-HNS-08C	NA	0001-0009	2	HN 1/2-13 STOVER	LADDER BOTTOM SIDE PLT PIVOTS
D	F-HNJ-10C	NA	0001-0009	2	HN 5/16-18 JAM NUT	LADDER BALL STUD
E	F-HCF-10M020F	NA	0001-0009	3	HC 8.8 M10 X 1.5 X 20, FLNG.	PLATFORM EXTENSION
E	F-HNF-10MF	NA	0001-0009	3	HN 8.8 M10 X 1.5, FLNG.	PLATFORM EXTENSION
F	F-HCF-10M050F	NA	0001-0009	8	HN 8.8 M10 X 1.5 X 50, FLNG.	LADDER HANDRAIL
F	F-HNFN-10MF	NA	0001-0009	8	HN 8.8 M10 X 1.5, FLNG., NYLOCK	LADDER HANDRAIL
NS	F-HCF-10M050F	NA	0001-0009	4	HN 8.8 M10 X 1.5 X 50, FLNG.	PLATFORM EXTENSION HANDRAIL
NS	F-HNFN-10MF	NA	0001-0009	4	HN 8.8 M10 X 1.5, FLNG., NYLOCK	PLATFORM EXTENSION HANDRAIL
NS	F-HCF-10M050F	NA	0001-0009	2	HN 8.8 M10 X 1.5 X 50, FLNG.	JOHN DEERE HANDRAIL
NS	F-HNFN-10MF	NA	0001-0009	2	HN 8.8 M10 X 1.5, FLNG., NYLOCK	JOHN DEERE HANDRAIL
2950 AND 2960 LATE SN LADDER						
REF.	PART NO.	2950 SN	2960 SN	QTY.	PART NAME	NOTES
1	LA-236561	NA	0010-0012	1	LM STEP ASM, FOLDING LADDER LOWER	
	LA-236562	NA	0013-	1	LM STEP ASM, FOLDING LADDER LOWER	SUB LA-236563
	LA-236563			1	LM STEP ASM, FOLDING LADDER LOWER	
2	LM-236051	NA	0010-0012	2	LM LINK, FOLDING LADDER	
	LM-236052			2	LM LINK, FOLDING LADDER	
3	LA-236541	NA	0010-0012	1	LM PLT ASM, LFT SIDE FOLDING LADDER	
	LA-236542		0013-	1	LM PLT ASM, LFT SIDE FOLDING LADDER	
4	LA-236551	NA	0010-0012	1	LM PLT ASM, RHT SIDE FOLDING LADDER	
	LA-236552		0013-	1	LM PLT ASM, RHT SIDE FOLDING LADDER	
5	LA-236571	NA	0010-0012	1	LM STEP ASM, FOLDING LADDER UPPER	
	LM-236631	NA	0013-	2	LM PLT, UPPER ARM	SUB LA-236632
	LM-236632			2	LM PLT, UPPER ARM	
6	MC-134921	NA		2	GAS CHARGED LIFT SUPPORT	
NS	MC-134931	NA		2	LIFT SUPPORT BRACKETS (PAIR)	
7	MC-134941	NA		8	FLANGED BUSHING, OILITE, 1/2 ID X 5/8 OD X 5/16	
NS	LA-238761		0017-		LM ASM, LADDER HANDLE	
LADDER FASTENERS						
A	F-HC5-08C32	NA	0001-0009	2	HC5 1/2-13 X 2	LADDER TOP SIDE PLT PVT
	F-HC-12M050E		0010-	2	MM HC-8.8 M12 X 1.75 X 50	LADDER TOP SIDE PLT PVT
A	F-HNS-08C	NA	0001-0009	2	HN 1/2-13 STOVER	LADDER TOP SIDE PLT PVT
	F-HNS-12ME		0010-	2	MM HN-10.9 M12 X 1.75 Stover	LADDER TOP SIDE PLT PVT
B	F-HC5-08C20	NA	0001-0009	4	HC5 1/2-13 X 1-1/4	LADDER MIDDLE PIVOTS
	F-HC-12M030F		0010-	4	MM HC-8.8 M12 X 1.75 X 30	LADDER MIDDLE PIVOTS
B	F-HNS-08C	NA	0001-0009	4	HN 1/2-13 STOVER	LADDER MIDDLE PIVOTS
	F-HNS-12ME		0010-	4	MM HN-10.9 M12 X 1.75 Stover	LADDER MIDDLE PIVOTS
C	F-HC5-08C40	NA	0001-0009	2	HC5 1/2-13 X 2-1/2	LADDER BTM SIDE PLT PVTS
	F-HC-12M050E		0010-	2	MM HC-8.8 M12 X 1.75 X 50	LADDER BTM SIDE PLT PVTS
C	F-HNS-08C	NA	0001-0009	2	HN 1/2-13 STOVER	LADDER BTM SIDE PLT PVTS
	F-HNS-12ME		0010-	2	MM HN-10.9 M12 X 1.75 Stover	LADDER BTM SIDE PLT PVTS
D	F-THM-06C16	NA	0001-0009	8	THMS 3/8-16 X 1, SLT., SERR.	LADDER SIDE PLATE MOUNTS
	F-HC-10M025F		0010-	8	MM HC-8.8 M8 X 1.25 X 25	LADDER SIDE PLATE MOUNTS
D	F-HNF-06C	NA	0001-0009	8	HN 3/8-16, FLNG., SERR.	LADDER SIDE PLATE MOUNTS
	F-HNF-08MF		0010-	8	MM FLHN 8.8 M8 X 1.25	LADDER SIDE PLATE MOUNTS
E	F-HNJ-10C			2	HN5 5/16-18 JAM	LADDER BALL STUD
NS	F-HC-10M025F			2	MM HC-8.8 M8 X 1.25 X 25	LADDER HANDLE
NS	F-HNF-08MF			2	MM FLHN 8.8 M8 X 1.25	LADDER HANDLE
REAR LADDER						
NS	LA-238691			1	LM ASM, REAR LADDER	



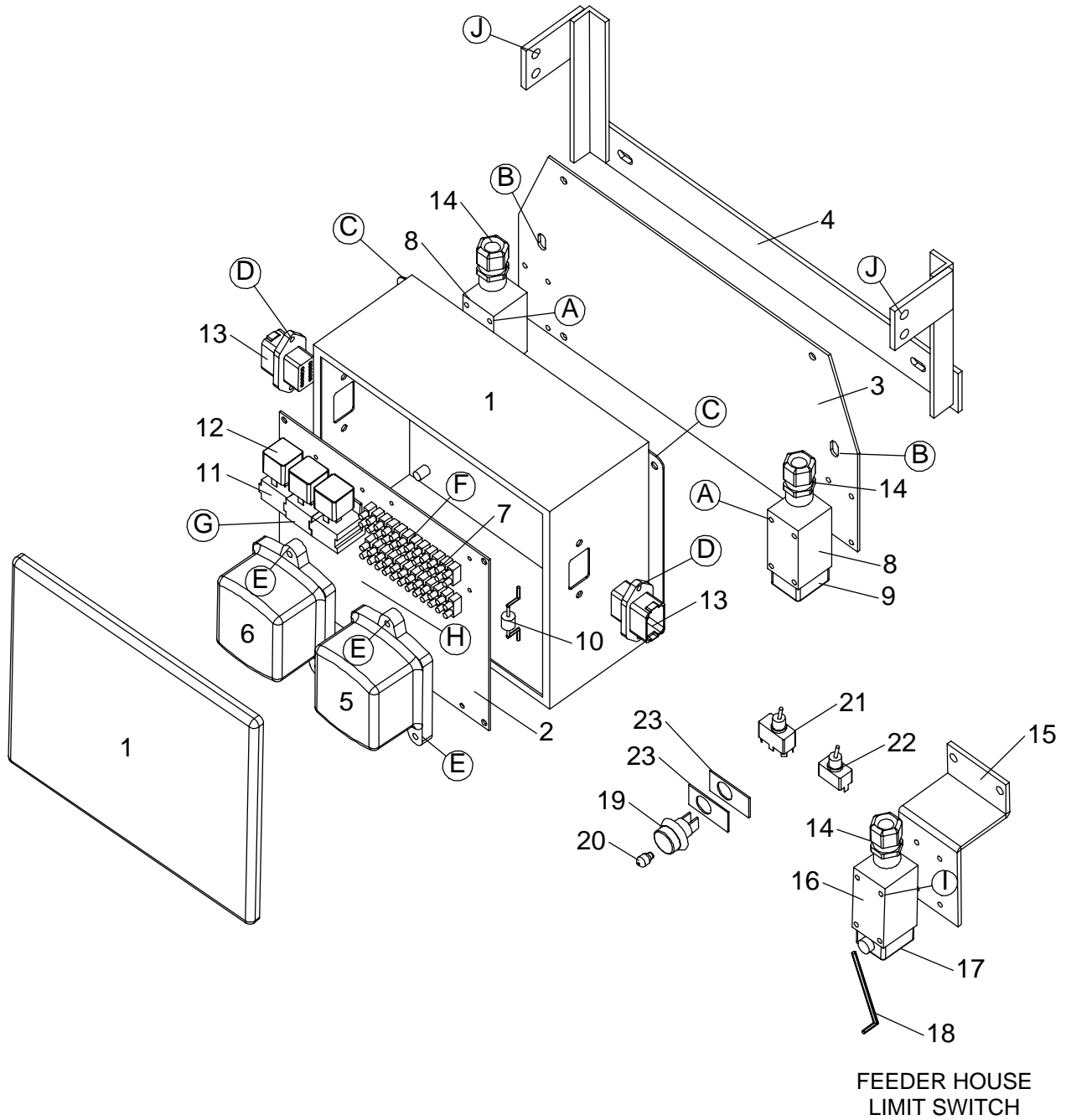
### 7 ELECTRICAL COMPONENTS



## Model 2950 and Model 2960 Hillco Leveling Systems

ELECTRICAL COMPONENTS						
REF	PART NO.	2950 SN	2960 SN	QTY.	PART NAME	NOTES
1	LM-230501			1	EM BOX, CONTROL	
2	LM-229501			1	EM PLATE, CONTROLLER MOUNT	
3	LM-229491			1	EM PLATE, CONTROL BOX MOUNT	
4	LA-229471		1002-	1	EM MOUNT ASM, CONTROL BOX	
5	LM-235841			1	HIGH SPEED LEVELING CONTROLLER ASM	
6	LM-235851			1	LOW SPEED LEVELING CONTROLLER ASM	
7	EC-100012			2	STRIP, TERMINAL	
8	EC-100557			2	SWITCH, LIMIT, BODY	
9	EC-100692			2	SWITCH, LIMIT, STRAIGHT PLUNGER HEAD	
10	EC-133281			8	DIODE, 6 AMP, 50 PIV, SILICON	
11	EC-100010			4	RELAY, AUTOMOTIVE	
12	EC-100009			4	BASE, RELAY, AUTOMOTIVE	
13	EC-100555			2	RECEPTACLE, MT FLNG, 12 PIN	
NS	EC-100018			15	WIRE TIE, HEAVY DUTY	
14	EC-100186			6	STRAIN RELIEF, PLASTIC, 1/2	
NS	EC-133171			1	OPTIONAL KNOB	MACHINES W/O CONTOUR MASTER
NS	EC-133181			1	OPTIONAL SWITCH	MACHINES W/O CONTOUR MASTER
FEEDERHOUSE LIMIT SWITCH						
15	LM-230251	NA	0001-0012	1	EM MOUNT, FEEDER LIMIT	
16	EC-100557	NA	0001-0012	1	SWITCH, LIMIT, BODY	
17	EC-133261	NA	0001-0012	1	SWITCH, LIMIT, ROTARY HEAD STANDARD	
18	LM-235861	NA	0001-0012	1	SWITCH, LIMIT, WIRE ACTUATOR	
CAB CONTROLS 0001-0021						
NS	EC-133191		0001-0021	1	SN 640301 AND AFTER CONSOLE LABELS	
NS	EC-133201		0001-0021	1	SN 640301 AND AFTER SWITCH, CONSOLE, LEV	
NS	EC-133211		0001-0021	1	SN 640301 AND AFTER SWITCH, CONSOLE, POWER	
NS	EC-133221		0001-0021	2	SN 640301 AND AFTER ACTUATOR	LEVELING AND POWER
NS	EC-133231		0001-0021	1	SN 640301 AND AFTER PLUG, CABLE CONNECTOR	WEATHERPACK
NS	EC-133241		0001-0021	4	SN 640301 AND AFTER SOCKET, CABLE CONNECTOR	WEATHERPACK
NS	EC-133251		0001-0021	4	SN 640301 AND AFTER SEAL, CABLE CONNECTOR	WEATHERPACK
19	EC-101876		0001-0021	1	BEFORE SN 640301 LAMP, INDICATOR, RED LENSE	
20	EC-101877		0001-0021	1	BEFORE SN 640301 BULB, INDICATOR	
21	EC-101874		0001-0021	1	BEFORE SN 640301 TOGGLE SWITCH, DP ON-OFF-ON	
22	EC-100177		0001-0021	1	BEFORE SN 640301 TOGGLE SWITCH, SP MO-OFF-MO	
NS	EC-100186		0001-0021	1	BEFORE SN 640301 STRAIN RELIEF, PLASTIC, 1/2	
NS	EC-100187		0001-0021	1	BEFORE SN 640301 LOCK NUT, SEALING, 1/2	
23	LM-219501		0001-0021	2	BEFORE SN 640301 EM MOUNT, OUT OF LEVEL LAMP	
NS	LL20-101869		0001-0021	1	BEFORE SN 640301 PLATE, MAXIMUM LEVEL	
NS	LL20-101868		0001-0021	1	BEFORE SN 640301 PLATE, CONSOLE SWITCH	
CAB CONTROLS 0022-						
NS	EC-100177		0022-		SWITCH, TOGGLE, SP (ON)/OFF/(ON)	
NS	EC-101874		0022-		SWITCH, TOGGLE DP ON/OFF/ON	
NS	EC-101877		0022-		BULB, INDICATOR, LAMP	
NS	EC-136211		0022-		3 AG FUSE HOLDER	
NS	EC-136221		0022-		FUSE, AGC-6A	
NS	EM-08-18		0022-		CABLE, SO, 18GA 8 WIRE	
NS	LL-138441		0022-		DECAL CAB CONTROL BOX	
NS	LM-241101		0022-		EM PLT,CAB CONTROL BOX MNT	9000-10 SERIES COMBINES
NS	LM-243061		0022-		EM PLT,CAB CONTROL BOX MNT	50-60 SERIES COMBINES
NS	LM-241111		0022-		EM, CAB CONTROL BOX LID	
NS	LM-241121		0022-		EM, CAB CONTROL BOX	

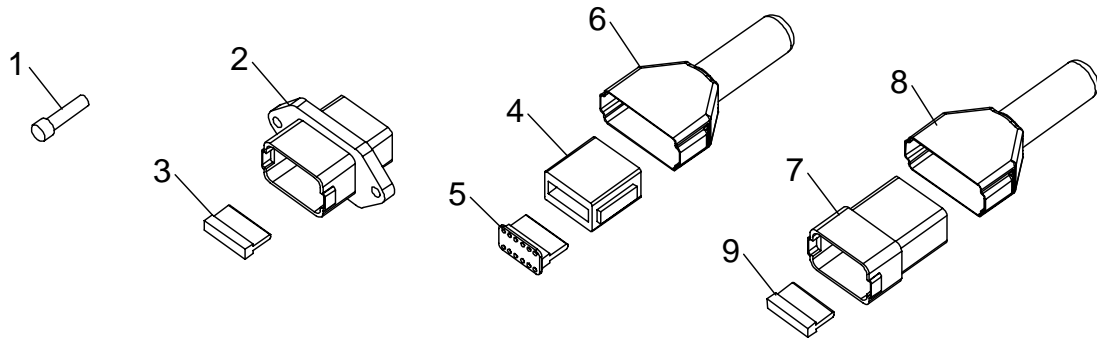
### ELECTRICAL FASTENERS



Model 2950 and Model 2960 Hillco Leveling Systems

ELECTRICAL FASTENERS					
REF.	PART NO.	SN	QTY.	PART NAME	DESCRIPTION
A	F-PHMS-#10C28		8	PHMS #10-24 X 1-3/4	LIMIT SWITCH MOUNT
A	F-HNF-#10C		8	HN #10-24, FLNG, SERR	LIMIT SWITCH MOUNT
B	F-THMS-06C16		2	THMS 3/8-16 X 1, SLT, SERR	MOUNT PLATE MOUNT
B	F-HNF-06C		2	HN 3/8-16, FLNG, SERR	MOUNT PLATE MOUNT
C	F-THMS-04C12		4	THMS 1/4-20 X 3/4, SLT, SERR	CONTROL BOX MOUNT
C	F-HNF-04C		4	HN 1/4-20, FLNG, SERR	CONTROL BOX MOUNT
D	F-THMS-04C12		4	THMS 1/4-20 X 3/4, SLT, SERR	CONTROL BOX MPC
D	F-HNF-04C		4	HN 1/4-20, FLNG, SERR	CONTROL BOX MPC
E	F-THMS-04C08		6	THMS 1/4-20 X 1/2, SLT, SERR	CONTROLLER MOUNT
F	F-PHMS-#6C12		4	PHMS #6-32 X 3/4	TERMINAL STRIP MOUNT
F	F-HNF-#6C		4	HN #6-32, FLNG, SERR	TERMINAL STRIP MOUNT
G	F-PHMS-#6C12		2	PHMS #6-32 X 3/4	RELAY MOUNT
G	F-HNF-#6C		2	HN #6-32, FLNG, SERR	RELAY MOUNT
G	F-LWE-#6		2	LW #6, EXT STAR	RELAY MOUNT
H	F-PHMS-#6C12		1	PHMS #6-32 X 3/4	GROUND
H	F-HNF-#6C		2	HN #6-32, FLNG, SERR	GROUND
I	F-PHMS-#10C28	1001-1012	4	PHMS #10-24 X 1-3/4	FEEDER HOUSE LIMIT SWITCH
I	F-HNF-#10C	1001-1012	4	HN #10-24, FLNG, SERR	FEEDER HOUSE LIMIT SWITCH
I	F-THMS-05C12	1001-1012	2	THMS 5/16-18 X 3/4, SLT, SERR	FEEDER HOUSE LIMIT SWITCH
I	F-HNF-05C	1001-1012	2	HN 5/16-18, FLNG, SERR	FEEDER HOUSE LIMIT SWITCH
NS	F-EB-04C20	1001-1012	1	BOLT, ELEVATOR 1/4-20 X 1-1/4, PLT	FEEDER HOUSE LIMIT SWITCH ACTUATOR
NS	F-HNF-04C	1001-1012	2	HN 1/4-20, FLNG, SERR	FEEDER HOUSE LIMIT SWITCH ACTUATOR
NS	F-THC-05C12	1001-1012	1	THRD CUT, HWH, 5/16-18 X 3/4	FEEDER HOUSE LIMIT SWITCH ACTUATOR
J	F-HC5-06C20		4	HC5 3/8-16 X 1-1/4	CONTROL BOX MOUNT BRACKET
J	F-HN5-06C		4	HN5 3/8-16	CONTROL BOX MOUNT BRACKET
J	F-LW-06		4	LW 3/8	CONTROL BOX MOUNT BRACKET

***ELECTRICAL CONNECTORS, WIRES AND CABLES***

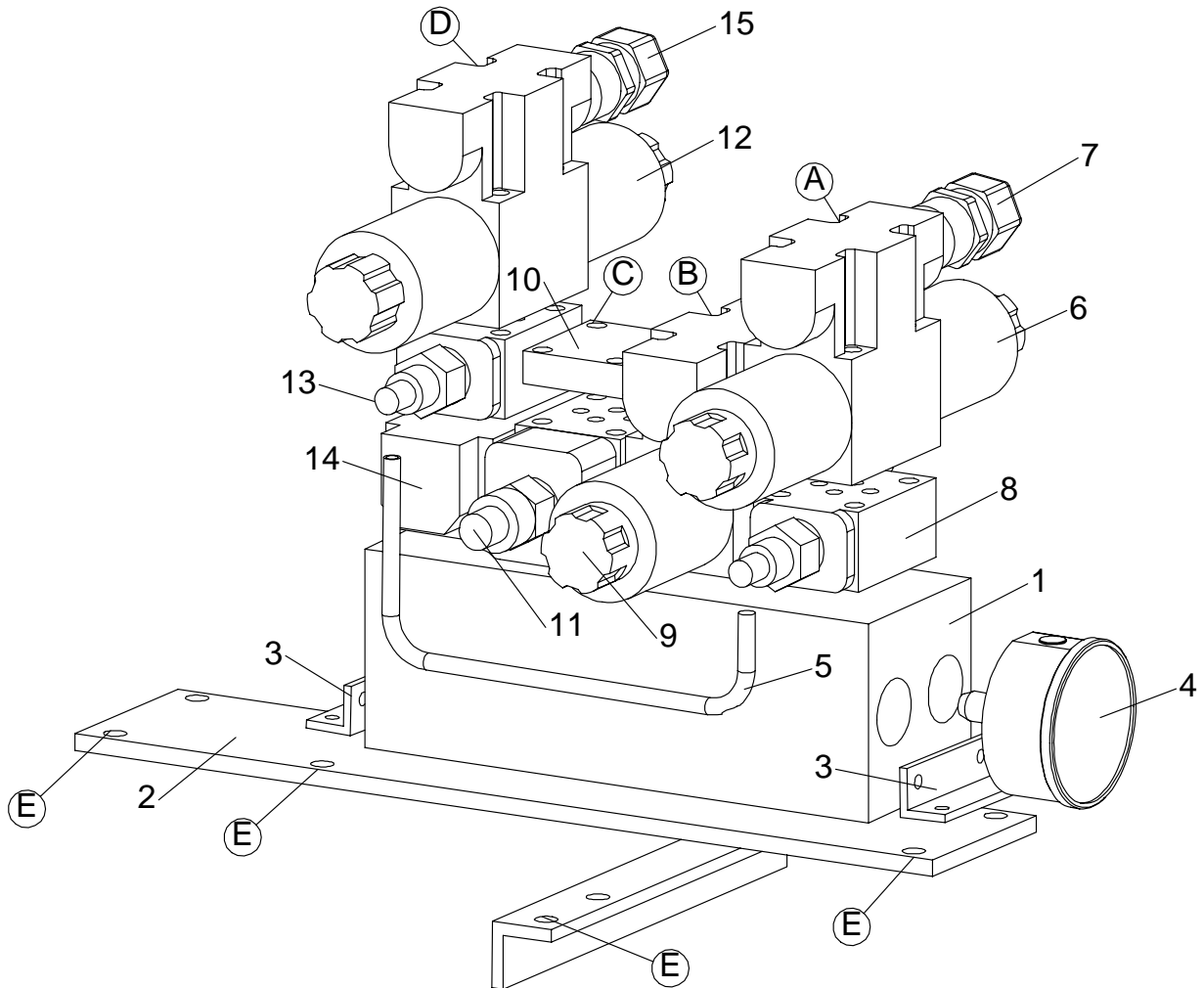


Model 2950 and Model 2960 Hillco Leveling Systems

ELECTRICAL CONNECTORS, WIRES AND CABLES						
ELECTRICAL CONNECTORS						
REF.	PART NO.	2950 SN	2960 SN	QTY.	PART NAME	DESCRIPTION
NS	EC-100165			36	SOCKET, ELECTRICAL	
NS	EC-100164			29	PIN, ELECTRICAL	
1	EC-100628			12	SEALING PLUG, 18 GA	
2	EC-100555			2	RECEPTACLE, MT FLNG, 12 PIN	
3	EC-100162			2	WEDGE, 12 PIN	
NS	EC-102021			2	MT FLNG GASKET, 12 PIN	
4	EC-100161			3	PLUG, 12 SOCKET	
5	EC-100163			3	WEDGE, 12 SOCKET	
6	EC-100167			3	BOOT, 12 SOCKET	
7	EC-100555			1	RECEPTACLE, 12 PIN	
8	EC-100166			1	BOOT, 12 PIN	
9	EC-100162			1	WEDGE, 12 PIN	
WIRES AND CABLES						
REF.	PART NO.	2950 SN	2960 SN	QTY.	PART NAME	DESCRIPTION
NS	LA-134621			1	WIRE KIT, CONTROL BOX	
NS	LA-134631	NA	0001-0021	1	<i>BEFORE SN 640301</i> CABLE A	CONSOLE TO CONTROL BOX
NS	LA-134641	NA	0001-0021	1	<i>SN 640301 AND AFTER</i> CABLE A	CONSOLE TO CONTROL BOX
NS			0022-	1	CABLE A	CONSOLE TO CONTROL BOX
NS	LA-134651			1	CABLE B	CONTROL BOX TO MANIFOLD
NS	LA-134661			1	CABLE C	LEFT LIMIT SWITCH TO CONTROL BOX
NS	LA-134671			1	CABLE D	RIGHT LIMIT SWITCH TO CONTROL BOX
NS	LA-134681			1	<i>SN 640301 AND AFTER</i> CABLE E	CABLE A
NS	LA-134691			1	CABLE F	MANIFOLD TO MULTI-PIN CONNECTOR
NS	LA-134701			1	CABLE G	MANIFOLD TO MULTI-PIN CONNECTOR
NS	LA-134711			1	CABLE H	MANIFOLD TO MULTI-PIN CONNECTOR
NS	LA-134721	NA	0001-0012	1	CABLE I	FEEDER HOUSE LIMIT SWITCH

## 8 HYDRAULIC COMPONENTS

### MANIFOLD



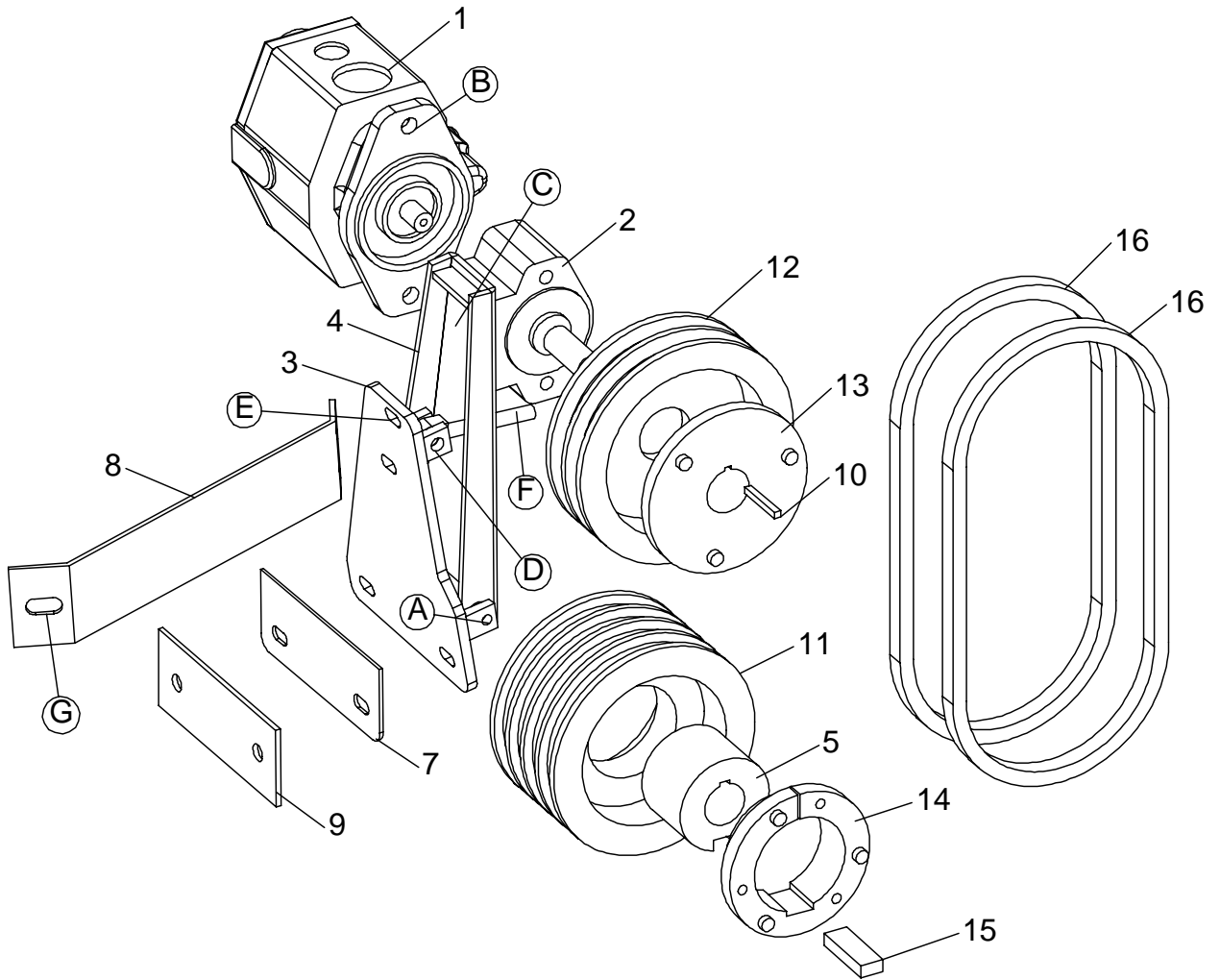
Model 2950 and Model 2960 Hillco Leveling Systems

<b>MANIFOLD</b>					
REF.	PART NO.	SN	QTY.	PART NAME	DESCRIPTION
1	HC-133141		1	4-STATION MANIFOLD ASSEMBLY	
2	LA-229291		1	HM MOUNT ASM, MANIFOLD	
3	HC-131111		1	MANIFOLD MOUNT BRACKET KIT	
NS	HA-E-4MO		1	ADAPTER, HYDRAULIC	#4 MORB PLUG
4	HC-101019		1	GAUGE, PRESSURE	
NS	HA-S-4FP10MO		1	ADAPTER, HYDRAULIC	#4 FPIPE X #10 MORB, STR.
5	MFL20-100721		1	TUBE, MANIFOLD LOAD SENSE	
<b>LOW SPEED STATION</b>					
6	HC-100969		1	VALVE, DIRECTIONAL CONTROL	LOW SPEED
..	HC-102052		2	COIL, DIRECTIONAL CONTROL VALVE	
..	HC-101020		1	SEAL KIT, COIL O-RING	
7	EC-100186		1	STRAIN RELIEF, 1/2 IN.	
NS	HC-100809		1	ORIFICE, LOW SPEED LEVEL	
8	HC-101264		1	VALVE, COMPLETE LOAD SENSE	
..	HC-101021		1	CARTRIDGE, LOAD SENSE VALVE	
..	HC-101022		1	HOUSING, LOAD SENSE VALVE	
..	HC-102082		1	SEAL KIT, LOAD SENSE O-RING	
NS	HC-101024		1	SUBPLATE	
..	HC-100338		1	SEAL KIT, SUB-PLATE O-RING	
<b>HIGH SPEED STATION</b>					
9	HC-100969		1	VALVE, DIRECTIONAL CONTROL	HIGH SPEED
..	HC-102052		2	COIL, DIRECTIONAL CONTROL VALVE	
..	HC-101020		1	SEAL KIT, COIL O-RING	
NS	EC-100186		1	STRAIN RELIEF, 1/2 IN.	
NS	HC-100810		1	ORIFICE, HIGH SPEED LEVEL	
<b>HEADER TRIM #1</b>					
10	HC-101025		1	COVER PLATE	
..	HC-100338		1	SEAL KIT, SUB-PLATE O-RING	
11	HC-102317		1	VALVE, HEADER TRIM RELIEF	LEFT/RIGHT
..	HC-101038		1	SEAL KIT, HEADER TRIM RELIEF	
<b>HEADER TRIM #2</b>					
12	HC-101030		1	VALVE, DIRECTIONAL CONTROL	HEADER TRIM
..	HC-102052		2	COIL, DIRECTIONAL CONTROL VALVE	
..	HC-101020		1	SEAL KIT, COIL O-RING	
13	HC-101264		1	VALVE, COMPLETE LOAD SENSE	
..	HC-101021		1	CARTRIDGE, LOAD SENSE VALVE	
..	HC-101022		1	HOUSING, LOAD SENSE VALVE	
..	HC-102082		1	SEAL KIT, LOAD SENSE O-RING	
14	HC-101034		1	VALVE, PILOT CHECK, A-B	
..	HC-101064		1	SEAL KIT, PILOT CHECK VALVE	
15	EC-100186		1	STRAIN RELIEF, 1/2 IN.	
NS	HC-100811		1	ORIFICE, HEADER TRIM	
NS	HC-101024		1	SUBPLATE	
..	HC-100338		1	SEAL KIT, SUB-PLATE O-RING	
<b>FASTENERS</b>					
A	HC-101259		1	BOLT KIT	LOW SPEED STATION
B	HC-101262		1	BOLT KIT	HIGH SPEED STATION
C	HC-103085		1	BOLT KIT	HEADER TRIM STATION #1
D	HC-101261		1	BOLT KIT	HEADER TRIM STATION #2
E	F-THMS-05C12		8	THMS 5/16-18 X 3/4	MANIFOLD MOUNT
E	F-HNF-05C		8	HN 5/16-18, FLNG, SERR	MANIFOLD MOUNT



Model 2950 and Model 2960 Hillco Leveling Systems

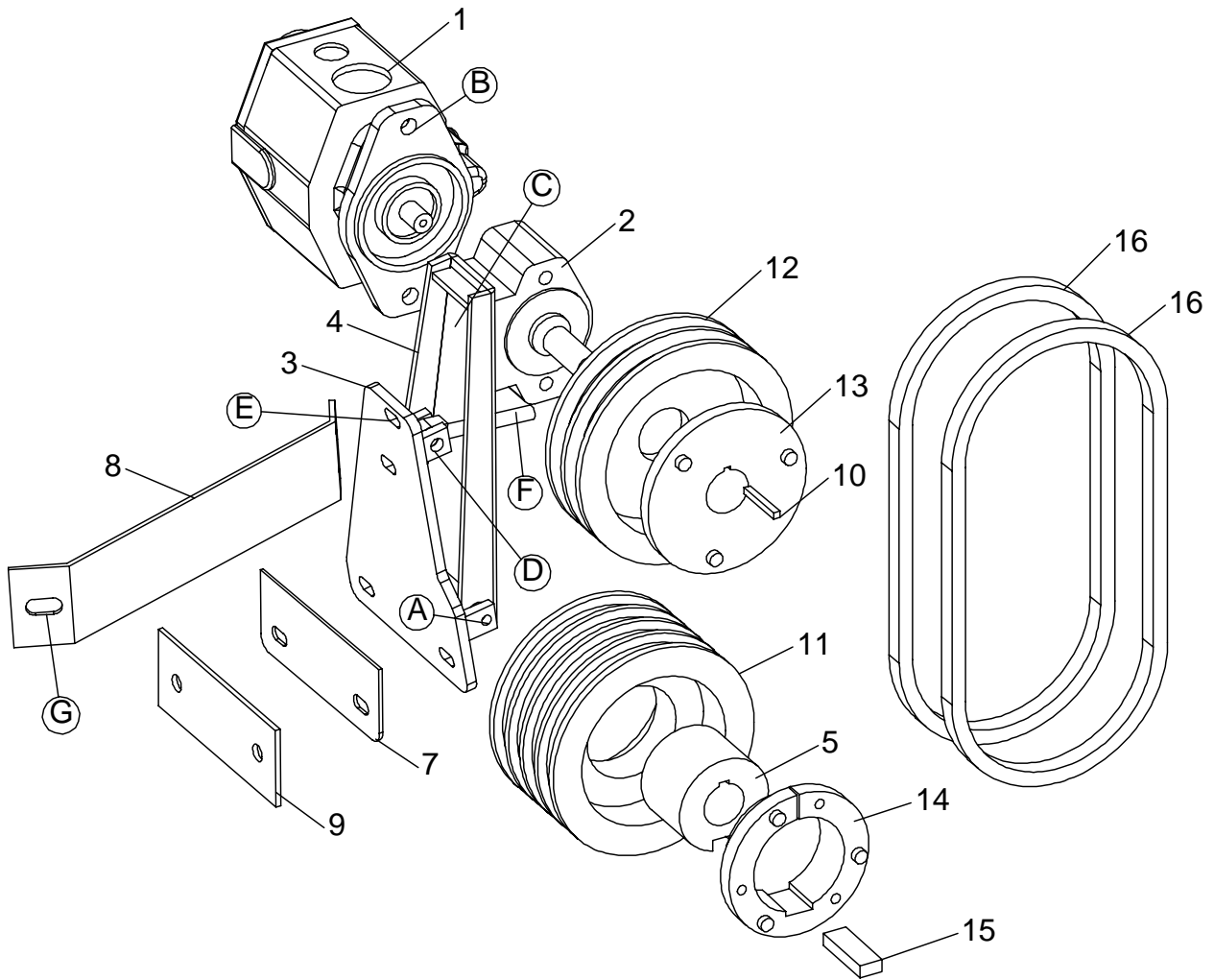
**PUMP DRIVE COMPONENTS**



Model 2950 and Model 2960 Hillco Leveling Systems

PUMP DRIVE COMPONENTS					
REF.	PART NO.	SN	QTY.	PART NAME	DESCRIPTION
1	HC-133151	1006-	1	PUMP, HYDRAULIC PFC-116	
	HC-134531	1001-1005	1	PUMP, HYDRAULIC PFC-116	
..	HC-135231		1	SEAL KIT, PUMP	
..	HC-135241		1	SEAL, PUMP MAIN SHAFT	
..	HC-135251		2	SEAL, PINTLE SHAFT	
..	HC-103099		1	COMPENSATOR #2	
..	HC-137061		1	KEY, HYDRAULIC PUMP SHAFT	
2	HC-133161		1	ADAPTER, OVER-HUNG LOAD	HYDRAULIC PUMP
3	LA-235371	1006-	1	HM PUMP DR, ASM MNT	
4	LA-235381	1006-	1	HM PUMP DR, PUMP MNT ASM	
5	LM-235281	1006-	1	HM HUB, JD PUMP DRIVE	
7	LP-235311	1006-	1	HM PUMP DR, SPACER PLT	
8	LM-235821	1006-	1	HM PUMP DR, GUSSET	
9	LM-235831	1006-	1	HM PUMP DR, STIFFENER PLT	
10	LM-235291		1	HM PUMP DR, OHLA KEY	
11	MC-134321	1010-	1	SHIEVE, 4 GROOVE, 8 IN.	
12	MC-134331	1010-	1	SHIEVE, 2 GROOVE, 8-1/2 IN.	
13	MC-134341	1010-	1	BUSHING, 1 IN., TAPER LOCK	
14	MC-134351	1010-	1	BUSHING, 3-1/2 IN., TAPER LOCK	
15	LM-236611	1010-	1	KEY, 3-1/2 QD HUB	
16	MC-134361	1010-	2	BELT, DRIVE	
NS	LA-229401	1001-1005	1	HM BASE ASM, PUMP MOUNT	
NS	LA-229411	1001-1005	1	HM MOUNT ASM, PUMP	
NS	LA-230841	1001-1005	1	HM MOUNT ASM, PUMP 9600	
NS	LM-235921	1001-1005	1	HM ALLTHREAD, PUMP DRIVE	
NS	LA-229291	1001-1005	1	HM DRIVE ASM, PUMP 3.75	
NS	LA-230571	1002-1005	1	HM DRIVE ASM, PUMP 4.5	

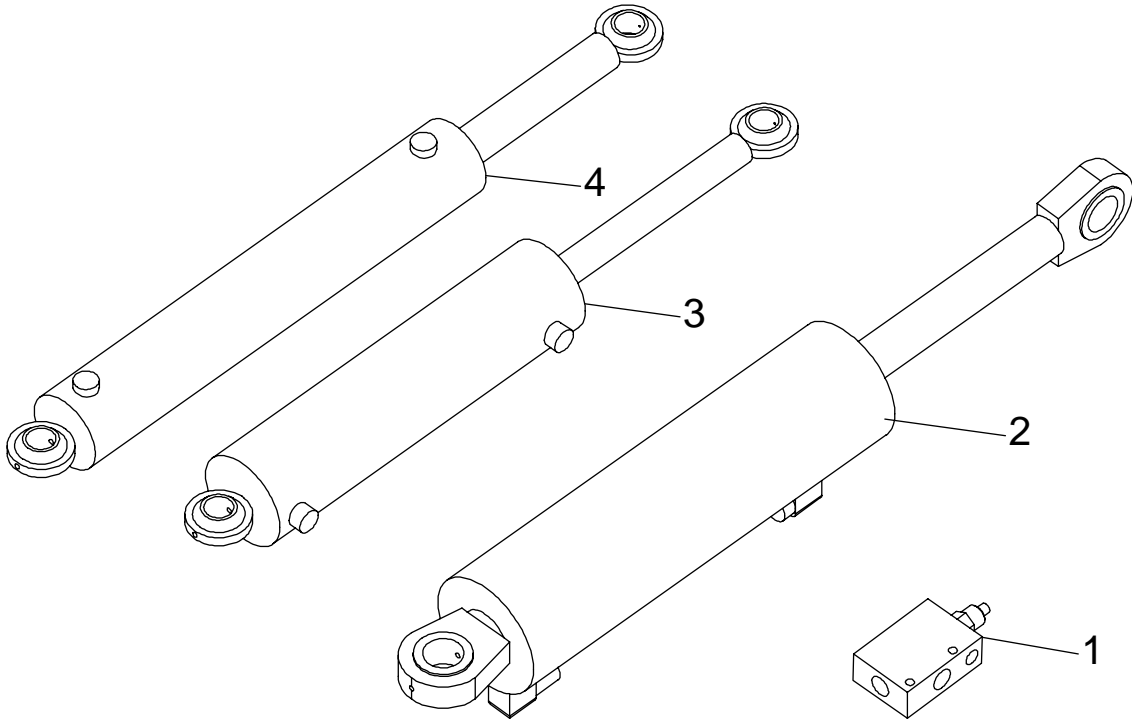
**PUMP DRIVE FASTENERS**



Model 2950 and Model 2960 Hillco Leveling Systems

PUMP DRIVE FASTENERS					
REF.	PART NO.	SN	QTY.	PART NAME	DESCRIPTION
A	MC-100051		2	OILITE BRNZ BUSH, 3/8 ID X 1/2 OD X 1/2 L	PUMP DRIVE PIVOT BUSHING
A	F-HC8-06C120		1	HC8 3/8-16 X 7-1/2	PUMP MNT PVT BOLT
A	F-HNN-06C		1	HN 3/8-16, NYLOCK	PUMP MNT PVT BOLT
A	F-HC8-06C80	1001-1005	1	HC8 3/8-16 X 5	PUMP MNT PVT BOLT
A	F-HNN-06C	1001-1005	1	HN2 3/8-16, NYLOCK	PUMP MNT PVT BOLT
B	F-HC8-07C64		2	HC8 7/16-14 X 4	PUMP TO ADAPTER MOUNT
B	F-HN8-07C		2	HN8 7/16-14	PUMP TO ADAPTER MOUNT
C	F-HC8-06C20		4	HC8 3/8-16 X 1-1/4	ADAPTER MOUNT
C	F-LW-06A		4	LW 3/8 HD	ADAPTER MOUNT
D	F-HC8-08C36		1	HC8 1/2-13 X 2-1/4	PUMP BELT SWING BOLT PVT
D	F-HNN-08C		1	HN2 1/2-13, NYLOCK	PUMP BELT SWING BOLT PVT
E	F-HCF-12M040E		4	MM HC-10.9 M12 X 1.75 X 40, FLNG.	PUMP MNT TO GRAIN TANK
E	F-HNF-12ME		4	MM HN-10.9 M12 X 1.75, FLNG.	PUMP MNT TO GRAIN TANK
F	F-REA-08C80		1	ROD END 1/2-13 X 5	PUMP BELT TENSIONER
F	F-HNN-08C		1	HN2 1/2-13, NYLOCK	PUMP BELT TENSIONER
F	F-FW-08	1010-	1	FW 1/2	PUMP TIGHTENER
G	F-HCF-10M040E		1	MM HC-10.9 M10X 1.5 X 40, FLNG.	PUMP/GRAINTANK GUSSET
NS	LM-232191	1001-1005	1	KEY, STRAIGHT 1/2 X 1/2 X 1-3/4	PUMP DRIVE DRIVE HUB
NS	LM-232201	1001-1005	1	KEY, STRAIGHT 1/4 X 1/4 X 1-3/4	PUMP DRIVE DRIVEN HUB
NS	F-THMS-06C16	1001-1005	3	THMS 3/8-16 X 1, SLT, SERR.	PUMP BRACKET MOUNT
NS	F-HNF-06C	1001-1005	3	HN 3/8-16, FLNG, SERR	PUMP BRACKET MOUNT
NS	F-EYA-08F	1001-1005	1	END YOKE, ADJUSTABLE, 1/2-20	PUMP TIGHTENER
NS	F-PCL-08024	1001-1005	1	PIN, CLEVIS, 1/2 X 1-1/2	PUMP TIGHTENER
NS	F-PCT-03016	1001-1005	1	PIN, COTTER, 5/32 X 1	PUMP TIGHTENER
NS	F-HN5-08F	1001-1005	1	HN5 1/2-20	PUMP TIGHTENER
NS	F-AT-08F	1001-1005	8.5 IN.	ALL THREAD, B7, 1/2-20	PUMP TIGHTENER
NS	F-HNN-08F	1001-1005	1	HN2 1/2-20, NYLOCK	PUMP TIGHTENER
NS	F-FW-08	1001-1005	1	FW 1/2	PUMP TIGHTENER
NS	MC-134951	1001-1005	1	SPRING, COMP., .875 OD, 2-1/2 OA L., .135 DIA	PUMP TIGHTENER
NS	F-HC8-06C88	1001-1005	3	HC8 3/8-16 X 5-1/2	9600 PUMP DRIVE
NS	F-LW-06A	1001-1005	3	LW 3/8 HD	9600 PUMP DRIVE
NS	F-HC-10M100E	1001-1005	3	MM 10.9 10 X 1.5 X 100MM	9610 PUMP DRIVE
NS	F-LW-10M	1001-1005	3	LW 10MM	9610 PUMP DRIVE

Model 2950 and Model 2960 Hillco Leveling Systems  
**HYDRAULIC CYLINDERS AND COMPONENTS**



Model 2950 and Model 2960 Hillco Leveling Systems

<b>HYDRAULIC CYLINDERS AND COMPONENTS</b>					
<b>COUNTERBALANCE VALVES AND CYLINDERS</b>					
<b>REF.</b>	<b>PART NO.</b>	<b>SN</b>	<b>QTY.</b>	<b>PART NAME</b>	<b>DESCRIPTION</b>
1	HC-101265		2	VALVE, COUNTER BALANCE	
..	HC-102125		1	BODY, COUNTERBALANCE VALVE	
..	HC-102068		1	CARTRIDGE, COUNTERBALANCE VALVE	
..	HC-100805		1	KIT, SEAL, COUNTERBALANCE VALVE	BUNA
2	HC-103228		2	CYLINDER, MAIN LEVELING	
..	HC-134251		1	KIT, SEAL, MAIN LEVELING CYLINDER	
3	HC-101842		1	CYLINDER, MASTER	
..	HC-134201		1	KIT, SEAL, MASTER CYLINDER	
4	HC-100706		1	CYLINDER, SLAVE	
..	HC-134191		1	KIT, SEAL, SLAVE CYLINDER	
<b>HYDRAULIC COMPONENTS</b>					
NS	HC-101843		1	CODE 62 SLT FLNG CONNECTOR KIT WITH O-RINGS	HYDROSTAT HIGH PRESSURE HOSE FORWARD PROPULSION
..	HC-134911		1	O-RING, CODE 62 CONNECTOR	
NS	HC-101843		1	CODE 62 SLT FLNG CONNECTOR KIT WITH O-RINGS	HYDROSTAT HIGH PRESSURE HOSE REAR PROPULSION
..	HC-134911		1	O-RING, CODE 62 CONNECTOR	
NS	HC-101942		1	HYDRAULIC ADAPTER, 90	CO GREASE PORT
NS	HC-101941		1	HYDRAULIC ADAPTER, STR	CO GREASE PORT
NS	HC-101870		36 IN.	NYLON TUBE	CO GREASE PORT
NS	HC-101878		1	PIPE COUPLER, BLACK STEEL, 1/8	CO GREASE PORT
<b>HYDRAULIC FASTENERS</b>					
NS	F-HC5-04C16	1006-	4	HC5 1/4-20 X 1	GREASE HOSES
NS	F-HN5-04C	1006-	4	HN5 1/4-20	GREASE HOSES
NS	F-LW-04	1006-	4	1/4 LW	GREASE HOSES
NS	MC-100768	1006-	4	1/2 R/C HOSE CLAMP	GREASE HOSES

Model 2950 and Model 2960 Hillco Leveling Systems

**HYDRAULIC HOSES**

HYDRAULIC HOSES COMMON TO BOTH 2950 (SN 1001- ) & 2960 (SN 0010- )				
PART NO.	SN	QTY.	PART NAME	DESCRIPTION
<b>MANIFOLD</b>				
LA-130312		1	3/4 100R1 W / #10 FORS X #12 FORS (50 IN)	MANIFOLD "T" PORT TO RETURN LINE
LA-130332		1	1/2 100R2 W / #8 FORS BOTH ENDS (93 IN)	LEVEL A TO BULKHEAD #6
LA-130332		1	1/2 100R2 W / #8 FORS BOTH ENDS (93 IN)	LEVEL B TO BULKHEAD #5
LA-130342		1	1/4 100R2 W / #4 FORS BOTH ENDS (101 IN)	TRIM A TO BULKHEAD #4
LA-130342		1	1/4 100R2 W / #4 FORS BOTH ENDS (101 IN)	TRIM B TO BULKHEAD #3
<b>PUMP</b>				
LA-133932		1	1/2 100R2 W / #10 FORS BOTH ENDS (138 IN)	PRESSURE PUMP TO MANIFOLD (P)
LA-133952		1	1/4 100R2 W / #4 FORS 90 X #6 FORS STR (126 IN)	LOAD SENSE PUMP TO MANIFOLD
LA-133912		1	1 100R1 W / # 16 FORS X #16 FORS 90 (96 IN)	SUCTION RESERVOIR TO PUMP
LA-133922		1	3/8 100R2 W / #6 FORS X #6 FORS 90 (96 IN)	RESERVOIR TO PUMP CASE DRAIN
LA-133942		1	1/4 100R2 W / #4 FORS X #6 FORS 90 (245 IN)	PUMP CASE DRAIN TO BULKHEAD #2
<b>BRAKES</b>				
LA-130371		1	#4 TITE FLEX W / #4 FORS X #4 MORS (31 IN)	BRAKE LINE LEFT
LA-130371		1	#4 TITE FLEX W / #4 FORS X #4 MORS (31 IN)	BRAKE LINE RIGHT
<b>FEEDERHOUSE</b>				
LA-135051		1	1/2 100R2 W / #8 MORS X #8 FORS (30 IN)	FEEDER HOUSE HOSE EXTENSIONS
LA-135061		1	3/8 100R2 W / #6 MORS X #6 FORS (30 IN)	FEEDER HOUSE HOSE EXTENSIONS
LA-135071		1	1/2 100R2 W / #8 MORB X #8 FORS (136-3/4 IN)	FEEDER HOUSE HOSE EXTENSIONS
LA-135081		1	1/2 100R2 W / #8 MORB X #10 FORS (139-3/4 IN)	FEEDER HOUSE HOSE EXTENSIONS
LA-135091		1	3/8 100R2 W / #6 FORS X #4 FORS (154 IN)	FEEDER HOUSE HOSE EXTENSIONS
<b>HYDROSTAT</b>				
LA-130762		1	3/4" 100R1 W / #12 FORS X #12 FORS 45 DEG (135 IN)	HYDROSTAT RETURN HOSE
<b>2950 SPECIFIC</b>				
<b>LEVELING CYLINDERS, MASTER CYLINDER TO BULKHEAD</b>				
LA-136021		1	1/2 100R2 W / #8 FORS BOTH ENDS (45 IN)	POCV #2 LEFT TO BULKHEAD #6 RIGHT
LA-136021		1	1/2 100R2 W / #8 FORS BOTH ENDS (45 IN)	POCV #2 RIGHT TO BULKHEAD #5 LEFT
LA-136031		1	1/4 100R2 W / #4 FORS BOTH ENDS (42.5 IN)	POCV #4 LEFT TO BULKHEAD #2 RIGHT
LA-136031		1	1/4 100R2 W / #4 FORS BOTH ENDS (42.5 IN)	POCV #4 RIGHT TO BULKHEAD #2 LEFT
LA-136041		1	1/4 100R2 W / #4 FORS BOTH ENDS (67 IN)	MASTER ROD TO BULKHEAD #4 LEFT
LA-136051		1	1/4 100R2 W / #4 FORS BOTH ENDS (80.5 IN)	MASTER BASE TO BULKHEAD #3 LEFT
LA-136061		1	1/4 100 R2 W / #4 FORS X #4 FORS 90 (49.5 IN)	BULKHEAD #5 RIGHT REAR TO POCV #3 LEFT
LA-136061		1	1/4 100 R2 W / #4 FORS X #4 FORS 90 (49.5 IN)	BULKHEAD #6 LEFT REAR TO POCV #3 RIGHT
LA-130402		1	1/2 100R2 W / #8 FORS BOTH ENDS (54.5 IN)	MAIN CYL ROD LEFT TO BULKHEAD #5 RIGHT
LA-130402		1	1/2 100R2 W / #8 FORS BOTH ENDS (54.5 IN)	MAIN CYL ROD RIGHT TO BULKHEAD #6 LEFT
LA-130462		1	1/4 100R2 HOSE W / #4 FORS X #6 MORB (180 IN)	BULKHEAD #2 TO SLAVE BASE
LA-130472		1	1/4 100R2 HOSE W / #4 FORS X #6 MORB (195 IN)	BULKHEAD #3 TO SLAVE ROD
<b>HEADER LIFT CYLINDER HOSES</b>				
LA-136071		1	1/2 100R2 W / #8 FORS BOTH ENDS (105 IN)	RIGHT HDR LFT CYL TO BULKHEAD #1 RIGHT
LA-136071		1	1/2 100R2 W / #8 FORS BOTH ENDS (105 IN)	LEFT HDR LFT CYL TO BULKHEAD #1 LEFT
LA-136071		1	1/2 100 R2 W / #8 FORS BOTH ENDS (105 IN)	T AT ACCUMULATOR VALVE TO BULKHEAD #1
<b>GREASE HOSES &amp; FITTINGS</b>				
LA-136081		1	3/16 100R7 66.5 IN. 1/8 MP X 1/8 MP	LFT LEV CYL BASE TO GREASE BULKHD #1
LA-136091		1	3/16 100R7 72 IN. 1/8 MP X 1/8 MP	MASTER ROD TO GREASE BULKHEAD #2
LA-136101		1	3/16 100R7 30 IN. 1/8 MP X 1/8 MP	MASTER BASE TO GREASE BULKHEAD #3
LA-136111		1	3/16 100R7 45 IN. 1/8 MP X 1/8 MP	RIGHT LEV CYL BASE TO GREASE BULKHEAD #4
LA-136121		1	3/16 100R7 60 IN 1/8 MP X 1/8 MP	MAIN PIVOT PIN TO BULKHEAD #5
HC-138011		5	1/4-28 STRAIGHT ZERK	ALL GREASE LINES
HA-S-2MN2FP		5	1/8 NPSM X 1/8 FPT BULKHEAD CONNECTOR	BULKHEAD CONNECTOR
HA-NJ-2FN		5	1/8 NPSM BULKHEAD LOCKNUT	BULKHEAD CONNECTOR
HA-L-2FP2MP		1	1/8 MPT 90 STREET EL	MAIN PIVOT PIN
HC-135761		1	1/4-28 MALE X 1/8 FPT 45 DEG	LEFT MAIN CYLINDER BASE
HC-135771		1	1/4-28 MALE X 1/8 FPT 90 DEG	RIGHT MAIN CYLINDER BASE
HC-135771		1	1/4-28 MALE X 1/8 FPT 90 DEG	MASTER BASE
<b>9500 PRIOR TO SN 655201 (COMBINES W/ STEEL LINES)</b>				
LA-135011		1	1 100R15 W / CODE 62 SPLT FLNG STR X CODE 62 SPLT FLNG 180DEG (119 IN)	HYDROSTAT HIGH PRESSURE HOSE
LA-136181		1	1 100R15 W / CODE 62 SPLT FLNG STR X CODE 62 SPLT FLNG 180DEG (114 IN)	HYDROSTAT HIGH PRESSURE HOSE
<b>9500 SN 655201 AND AFTER, 9510 &amp; 9550 (COMBINES W/OUT STEEL LINES)</b>				
LA-130771		1	1 100R15 W / CODE 62 SLT FLNG STR. X CODE 62 SLT FLNG 90 (SHORT DROP) (49 IN)	HYDROSTAT HIGH PRESSURE HOSE
LA-130781		1	1 100R15 W / CODE 62 SLT FLNG STR. X CODE 62 SLT FLNG 90 (SHORT DROP) (78 IN)	HYDROSTAT HIGH PRESSURE HOSE
<b>9500 PRIOR TO SN 640201</b>				
LA-136191		1	1/4 100R2 W / #6 FORS X #6 FORS 90 (135 IN)	PARK BRAKE LINE

Model 2950 and Model 2960 Hillco Leveling Systems

**HYDRAULIC HOSES (CONTINUED)**

2950 SPECIFIC (CONTINUED)				
<b>CTS PRIOR TO SN 655401 (COMBINES W/ STEEL LINES)</b>				
LA-135011		1	1 100R15 W/ CODE 62 SPLT FLNG STR X CODE 62 SPLT FLNG 180DEG (119 IN)	HYDROSTAT HIGH PRESSURE HOSE
LA-136181		1	1 100R15 W/ CODE 62 SPLT FLNG STR X CODE 62 SPLT FLNG 180DEG (114 IN)	HYDROSTAT HIGH PRESSURE HOSE
<b>CTS SN 655401 AND AFTER, CTS II &amp; 9650 CTS (COMBINES W/OUT STEEL LINES)</b>				
LA-130771		1	1 100R15 W/CODE 62 SLT FLNG STR. X CODE 62 SLT FLNG 90 (SHORT DROP) (49 IN)	HYDROSTAT HIGH PRESSURE HOSE
LA-137881		1	1 100R15 W/CODE 62 SLT FLNG STR. X CODE 62 SLT FLNG 90 (SHORT DROP) (78 IN)	HYDROSTAT HIGH PRESSURE HOSE
2960 SPECIFIC				
<b>LEVELING CYLINDERS, MASTER CYLINDER TO BULKHEAD</b>				
LA-130382		1	1/2 100R2 W / #8 FORS BOTH ENDS (50 IN)	POCV #2 LEFT TO BULKHEAD #6 RIGHT
LA-130382		1	1/2 100R2 W / #8 FORS BOTH ENDS (50 IN)	POCV #2 RIGHT TO BULKHEAD #5 LEFT
LA-130412		1	1/4 100R2 W / #4 FORS BOTH ENDS (47 IN)	POCV #4 LEFT TO BULKHEAD #2 RIGHT
LA-130412		1	1/4 100R2 W / #4 FORS BOTH ENDS (47 IN)	POCV #4 RIGHT TO BULKHEAD #2 LEFT
LA-130422		1	1/4 100R2 W / #4 FORS BOTH ENDS (34 IN)	MASTER ROD TO BULKHEAD #4 LEFT
LA-130432		1	1/4 100R2 W / #4 FORS BOTH ENDS (42.5 IN)	MASTER BASE TO BULKHEAD #3 LEFT
LA-130482		1	1/4 100 R2 W/ #4 FORS X #4 FORS 90 (54.5 IN)	BULKHEAD #5 RIGHT REAR TO POCV #3 LEFT
LA-130482		1	1/4 100 R2 W/ #4 FORS X #4 FORS 90 (54.5 IN)	BULKHEAD #6 LEFT REAR TO POCV #3 RIGHT
LA-130402		1	1/2 100R2 W / #8 FORS BOTH ENDS (54.5 IN)	MAIN CYL ROD LEFT TO BULKHEAD #5 RIGHT
LA-130402		1	1/2 100R2 W / #8 FORS BOTH ENDS (54.5 IN)	MAIN CYL ROD RIGHT TO BULKHEAD #6 LEFT
LA-130462		1	1/4 100R2 HOSE W/ #4FORS X #6 MORB (180 IN)	BULKHEAD #2 TO SLAVE BASE
LA-130472		1	1/4 100R2 HOSE W/ #4FORS X #6 MORB (195 IN)	BULKHEAD #3 TO SLAVE ROD
<b>HEADER LIFT CYLINDER HOSES</b>				
LA-133631		1	1/2 100R2 W / #8 FORS BOTH ENDS (82 IN)	RIGHT HDR LFT CYL TO BULKHEAD #1 RIGHT
LA-133631		1	1/2 100R2 W / #8 FORS BOTH ENDS (82 IN)	LEFT HDR LFT CYL TO BULKHEAD #1 LEFT
LA-136071		1	1/2 100 R2 W/ #8 FORS BOTH ENDS (105 IN)	T AT ACCUMULATOR VALVE TO BULKHEAD #1
<b>GREASE HOSES &amp; FITTINGS</b>				
LA-133672		1	3/16 100R7 70 IN. 1/8 MP X 1/8 MP	LFT LEV CYL BASE TO GREASE BULKHD #1
LA-133672		1	3/16 100R7 70 IN. 1/8 MP X 1/8 MP	MASTER ROD TO GREASE BULKHEAD #2
LA-133692		1	3/16 100R7 29.25 IN. 1/8 MP X 1/8 MP	MASTER BASE TO GREASE BULKHEAD #3
LA-133692		1	3/16 100R7 29.25 IN. 1/8 MP X 1/8 MP	RIGHT LEV CYL BASE TO GREASE BULKHEAD #4
LA-135611		1	3/16 100R7 57 IN 1/8 MP X 1/8 MP	MAIN PIVOT PIN TO BULKHEAD #5
HC-138011		5	1/4-28 STRAIGHT ZERK	ALL GREASE LINES
HA-S-2MN2FP		5	1/8 NPSM X 1/8 FPT BULKHEAD CONNECTOR	BULKHEAD CONNECTOR
HA-NJ-2FN		5	1/8 NPSM BULKHEAD LOCKNUT	BULKHEAD CONNECTOR
HA-L-2FP2MP		1	1/8 MPT 90 STREET EL	MAIN PIVOT PIN
HC-135761		2	1/4-28 MALE X 1/8 FPT 45 DEG	LEFT MAIN AND MASTER CYLINDER BASE
HC-135881		2	1/4-28 MALE X 1/8 FPT STR	RIGHT MAIN CYL BASE AND MASTER ROD
<b>9600 PRIOR TO SN 655301 (COMBINES W/ STEEL LINES)</b>				
LA-135011		1	1 100R15 W/ CODE 62 SPLT FLNG STR X CODE 62 SPLT FLNG 180DEG (119 IN)	HYDROSTAT HIGH PRESSURE HOSE
LA-136181		1	1 100R15 W/ CODE 62 SPLT FLNG STR X CODE 62 SPLT FLNG 180DEG (114 IN)	HYDROSTAT HIGH PRESSURE HOSE
<b>9600 SN 655301 AND AFTER, 9610 &amp; 9650 (COMBINES W/OUT STEEL LINES)</b>				
LA-130771		1	1 100R15 W/CODE 62 SLT FLNG STR. X CODE 62 SLT FLNG 90 (SHORT DROP) (49 IN)	HYDROSTAT HIGH PRESSURE HOSE
LA-137881		1	1 100R15 W/CODE 62 SLT FLNG STR. X CODE 62 SLT FLNG 90 (SHORT DROP) (78 IN)	HYDROSTAT HIGH PRESSURE HOSE
<b>9600 PRIOR TO 640301</b>				
LA-136191		1	1/4 100R2 W/ #6 FORS X #6 FORS 90 (135 IN)	PARK BRAKE LINE



Model 2950 and Model 2960 Hillco Leveling Systems

**HYDRAULIC ADAPTERS**

FOR 2960 SN 0001-0009

HYDRAULIC ADAPTERS				
PART NO.	SN	QTY.	PART NAME	DESCRIPTION
<b>PUMP</b>				
HA-S-12MO16MJ		1	12 MORB X 16 MJIC STR.	PUMP SUCTION
HA-S-10MJ10MO		1	10 MORB X 10 MJIC STR.	PUMP PRESSURE
HA-L-4MJ4MO		1	4 MORB X 4 MJIC 90	PUMP LOAD SENSE
HA-L-6MO8MJ	1001-1009	1	6 MORB X 8 MJIC 90	CASE DRAIN
HA-Q-6MJ6MO	1010-	1	6 MORB X 6 MJIC STR. THREAD BRANCH TEE	CASE DRAIN
LM-235931	1001-1005	1	HM #16ORS SWIVEL NUT RUN TEE	PUMP DRIVE
<b>MANIFOLD</b>				
HA-S-10MJ10MO		1	10 MORB X 10 MJIC STR.	PRESSURE IN
HA-L-10FJ10MJ		1	10 FJIC X 10 MJIC 90	PRESSURE IN
HA-L-4FF4MJ	1001-1009	1	4 MJIC X 4 FORS 90	
HA-L-4MF4FF	1010-	1	4 MORS X 4 FORS 90 DEG	LOAD SENSE
HA-P-8MO		4	8 MORB HEX PLUG	A & B PORT PLUGS
HA-P-10MO		1	10 MORB HEX PLUG	T PLUG
HA-S-4FP10MO		1	10 MORB X 4 FPIPE STR.	PRESSURE GAUGE
HA-S-10MJ10MO		1	10 MORB X 10 MJIC STR.	TANK OUT
HA-L-10FJ10MJ		1	10 FJIC X 10 MJIC 90	TANK OUT
HA-L-8MJ8MO		2	8 MORB X 8 MJIC 90	LEV A&B
HA-S-4MJ8MO		2	8 MORB X 4 MJIC STR.	TRIM A & B
HA-L-4FJ4MJ		2	4 FJIC X 4 MJIC 90	TRIM A & B
<b>BULKHEAD</b>				
HA-J-4MJ4MJ		1	4 MJIC BULKHEAD RUN TEE	LOW PRESSURE
HA-NB-4FJ		1	4 MJIC BULKHEAD NUT	LOW PRESSURE
HA-J-4MJ4MJ		1	4 MJIC BULKHEAD RUN TEE	TRIM LEFT
HA-NB-4FJ		1	4 MJIC BULKHEAD NUT	TRIM LEFT
HA-J-4MJ4MJ		1	4 MJIC BULKHEAD RUN TEE	TRIM RIGHT
HA-NB-4FJ		1	4 MJIC BULKHEAD NUT	TRIM RIGHT
HA-J-8MJ8MJ		1	8 MJIC BULKHEAD RUN TEE	LEVEL LEFT
HA-NB-8FJ		1	8 MJIC BULKHEAD NUT	LEVEL LEFT
HA-J-8MJ8MJ		1	8 MJIC BULKHEAD RUN TEE	LEVEL RIGHT
HA-NB-8FJ		1	8 MJIC BULKHEAD NUT	LEVEL RIGHT
<b>BRAKE LINE</b>				
HA-S-4FF4MJ		1	4 FORS X 4 MJIC STR.	LEFT BRAKE
HA-S-4FF4MJ		1	4 FORS X 4 MJIC STR.	RIGHT BRAKE
HA-133131		2	TEFLON O-RING	FOR ABOVE ADAPTERS
<b>TRIM CYLINDERS</b>				
HA-L-4MJ6MO		1	4 MJIC X 6 MORB 90	MASTER ROD
HA-L-4MJ6MO		1	4 MJIC X 6 MORB 90	MASTER BASE
HA-L-4MJ6MO		1	4 MJIC X 6 MORB 90	SLAVE ROD
HA-L-4MJ6MO		1	4 MJIC X 6 MORB 90	SLAVE BASE
<b>RESERVOIR</b>				
HA-M-16MF16FF	1001-1005	1	16 ORS SWIV NUT RUN TEE	PUMP TANK SUPPLY AT RESERVOIR
HA-L-2MP4MJ	1001-1005	1	2 MPIPE X 4 MJIC 90	#1 BULKHEAD TO TANK TEE
HA-S-16FF16MJ	1001-1005	1	16 FORS X 16 MJIC STR.	PUMP TANK SUPPLY AT RESERVOIR
HA-M-12MF12MO	1001-1005	1	12 ORS RUN TEE	PUMP CASE DRAIN AT TANK
HA-T-6MF6MO	1006-1009	1	#6 MORB x #6 MORS STRAIGHT THREAD RUN TEE	CASE DRAIN AT RESERVOIR
HA-T-6MF6MO	1006-	1	#6 MORB x #6 MORS STRAIGHT THREAD RUN TEE	CASE DRAIN AT RESERVOIR
HA-C-6FF	1006-	1	#6 FORS CAP	CASE DRAIN AT RESERVOIR

Model 2950 and Model 2960 Hillco Leveling Systems

**HYDRAULIC ADAPTERS (CONTINUED)**

FOR 2960 SN 0001-0009

PART NO.	SN	QTY.	PART NAME	DESCRIPTION
<b>MAIN CYLINDERS</b>				
HA-L-8MO8MO		2	8 MORB X 8 MORB 90	POCV #1
HA-L-8MJ8MO		2	8 MJIC X 8 MORB 90	POCV #2
HA-L-4MJ8MO		2	4 MJIC X 8 MORB 90	POCV #3
HA-L-4MJ6MO		2	4 MJIC X 6 MORB 90	POCV #4
HA-L-8MJ8MO		1	8 MJIC X 8 MORB 90	RIGHT MAIN CYLINDER ROD END
HA-L-8MJ8MO		1	8 MJIC X 8 MORB 90	LEFT MAIN CYLINDER ROD END
HA-L-2MP4MJ		2	2 MPIPE X 4 MJIC 90	MAIN CYLINDER ROD END
<b>HEADER LIFT CYLINDERS</b>				
HA-S-8FF8MJ		1	8 FORS X 8 MJIC STR.	OFF STEEL LINE TEE POINTED FORWARD (RIGHT CYL)
HA-S-8FF8MJ		1	8 FORS X 8 MJIC STR.	OFF STEEL LINE TEE POINTED DOWNWARD (LEFT CYL)
HA-L-8FJ8MJ		1	8 FJIC X 8 MJIC 90	OFF STEEL LINE TEE POINTED DOWNWARD (LEFT CYL)
HA-L-8MJ8MO		1	8 MORB X 8 MJIC 90	LEFT LIFT CYL
HA-L-8MJ8MO		1	8 MORB X 8 MJIC 90	RIGHT LIFT CYL
<b>HYDROSTAT</b>				
HA-S-12MJ12MO		1	12 MORB X 12 MJIC STR. LONG	HYDROSTAT
<b>GREASE</b>				
F-PZL-04F	1006-	4	1/4-28 90 DEG ZERK	ALL GREASE LINES
HA-S-2MN2FP	1006-	4	1/8 NPSM X 1/8 FPT BULKHEAD CONNECTOR	BULKHEAD CONNECTOR
HA-NJ-2FN	1006-	4	1/8 NPSM BULKHEAD LOCKNUT	BULKHEAD CONNECTOR
HA-L-2FP2MP	1006-	5	1/8 MPT 90 STREET EL	BULKHEAD CONNECTOR
HA-F-2FP2MP	1006-	2	1/8 MPT X 1/8 FPT 45 DEG	BULKHEAD CONNECTOR

Model 2950 and Model 2960 Hillco Leveling Systems

**HYDRAULIC ADAPTERS**  
**FOR 2950 SN 1001 AND AFTER AND**  
**2960 SN 0010 AND AFTER**

HYDRAULIC ADAPTERS			
PART NO.	QTY.	PART NAME	DESCRIPTION
<b>PUMP ADAPTERS</b>			
HA-S-12MO16MF	1	12 MORB X 16 MORS	PUMP SUCTION
HA-S-10MF10MO	1	10 MORB X 10 MORS	PUMP PRESSURE
HA-L-6MF4MO	1	4 MORB X 6 MORS 90	PUMP LOAD SENSE
HA-Q-6MF6MO	1	6 MORB X 6 MORS STRAIGHT THREAD BRANCH TEE	CASE DRAIN
<b>MANIFOLD ADAPTERS</b>			
HA-S-10MF10MO	1	10 MORB X 10 MORS STR.	PRESSURE IN
HA-L-10FF10MF	1	10 FORS X 10 MORS 90	PRESSURE IN
HA-L-4FF4MF	1	4 FORS X 4 MORS 90	LOAD SENSE
HA-P-8MO	4	8 MORB HEX PLUG	A & B PORT PLUGS
HA-P-10MO	1	10 MORB HEX PLUG	T PLUG
HA-P-6MO	1	6 MORB HEX PLUG	GAUGE PORT ON MANIFOLD
HA-S-10MF10MO	1	10 MORB X 10 MORS STR	TANK OUT
HA-L-10FF10MF	1	10 FORS X 10 MORS 90	TANK OUT
HA-S-4FP10MO	1	#10 MORB X #4 FNPT STR.	PRESSURE GUAGE
HA-L-8MF8MO	2	8 MORB X 8 MORS 90	LEV A&B
HA-S-4MF8MO	2	8 MORB X 4 MORS STR	TRIM A & B
HA-L-4FF4MF	2	4 FORS X 4 MORS 90	TRIM A & B
<b>BULKHEAD MOUNT</b>			
HA-J-8MF8MF	1	#8MORS X #8MORS X #8MORS BULKHEAD RUN TEE	BULKHEAD #1 POINTED UP
COMES W/ TEE	1	#8 ORS STRAIGHT THREAD BULKHEAD LOCKNUT	BULKHEAD #1
HA-J-4MF4MF	1	#4MORS X #4MORS X #4MORS BULKHEAD RUN TEE	BULKHEAD #2
COMES W/ TEE	1	#4 ORS STRAIGHT THREAD BULKHEAD LOCKNUT	BULKHEAD #2
HA-J-4MF4MF	1	#4MORS X #4MORS X #4MORS BULKHEAD RUN TEE	BULKHEAD #3
COMES W/ TEE	1	#4 ORS STRAIGHT THREAD BULKHEAD LOCKNUT	BULKHEAD #3
HA-J-4MF4MF	1	#4MORS X #4MORS X #4MORS BULKHEAD RUN TEE	BULKHEAD #4
COMES W/ TEE	1	#4 ORS STRAIGHT THREAD BULKHEAD LOCKNUT	BULKHEAD #4
HA-J-8MF8MF	1	#8MORS X #8MORS X #8MORS BULKHEAD RUN TEE	BULKHEAD #5
COMES W/ TEE	1	#8 ORS STRAIGHT THREAD BULKHEAD LOCKNUT	BULKHEAD #5
HA-M-8F	1	#8 ORS SWIVEL NUT RUN TEE	BULKHEAD #5 POINTED RIGHT
HA-S-8FF4MF	1	#8FORS X #4MORS REDUCER	BULKHEAD #5 RIGHT REAR
HA-J-8MF8MF	1	#8MORS X #8MORS X #8MORS BULKHEAD RUN TEE	BULKHEAD #6
COMES W/ TEE	1	#8 ORS STRAIGHT THREAD BULKHEAD LOCKNUT	BULKHEAD #6
HA-M-8F	1	#8 ORS SWIVEL NUT RUN TEE	BULKHEAD #6 POINTED LEFT
HA-S-8FF4MF	1	#8FORS X #4MORS REDUCER	BULKHEAD #6 LEFT REAR
<b>MASTER CYLINDER</b>			
HA-L-4MF6MO	1	#4 MORS X #6 MORB 90 DEG	MASTER ROD
HA-L-4MF6MO	1	#4 MORS X #6 MORB 90 DEG	MASTER BASE
<b>RESERVOIR</b>			
HA-T-6MF6MO	1	#6 MORB x #6 MORS STRAIGHT THREAD RUN TEE	CASE DRAIN AT RESERVOIR
HA-C-6F	1	#6 FORS CAP	CASE DRAIN AT RESERVOIR
HA-M-16F	1	#16 ORS SWIVEL NUT RUN TEE	SUCTION BY JD FILTER
<b>MAIN CYLINDERS</b>			
HA-L-8MO8MO	2	8 MORB X 8 MORB 90	POCV #1
HA-S-8MF8MO	2	#8 MORS X #8 MORB STR	POCV #2
HA-L-4MF8MO	2	#4 MORS X #8 MORB 90	POCV #3
HA-S-4MF6MO	2	#4 MORS X #6 MORB STR	POCV #4
HA-L-8MF8MO	1	#8 MORS X #8 MORB 90	RIGHT MAIN CYLINDER ROD END
HA-L-8MF8MO	1	#8 MORS X #8 MORB 90	LEFT MAIN CYLINDER ROD END
<b>HEADER LIFT CYLINDERS</b>			
HA-L-8FF8MF	2	#8 FORS X #8 MORS 90	HEADER LIFT CYLINDERS

**9 LITERATURE AND SAFETY LABELS**

<b>LITERATURE AND SAFETY LABELS</b>				
<b>PART NO.</b>	<b>SN</b>	<b>QTY.</b>	<b>PART NAME</b>	<b>DESCRIPTION</b>
D-010511CLA01		1	MANUAL, INSTALLATION	
D-010512DJC01		1	MANUAL, OPERATOR'S	
D-010611MDH01		1	PARTS BOOK	
LL20-100786		1	LABEL, SAFETY	WARNING, ELECTRONIC CRUSHING HAZARD
LL20-100785		1	LABEL, SAFETY	CAUTION, MOVING STEP
LL20-100782		1	LABEL, SAFETY	CAUTION, LEVELING SYSTEM CAB
LL20-100784		2	LABEL, SAFETY	DANGER, PINCH POINT
LL20-100787		2	LABEL, SAFETY	CAUTION, LEVELING SYSTEM HAZARD
LL20-100788		3	LABEL, SAFETY	DANGER, HYDRAULIC HAZARD
LL20-100783		6	LABEL, SAFETY	DANGER, CRUSHING HAZARD
LL-133731		1	LABEL, GREASE 10 HRS	REAR AXLE
LL-133731		2	LABEL, GREASE 10 HRS	RH OVERCARRIAGE
LL-133741		1	LABEL, GREASE 50 HRS	RH OVERCARRIAGE
LL-133731		1	LABEL, GREASE 10 HRS	LH OVERCARRIAGE
LL-133741		1	LABEL, GREASE 50 HRS	RH TRANS SIDE PLT
LL-133741		1	LABEL, GREASE 50 HRS	HDR LIFT CYL MNT (MAIN PVT PIN)
LL-133731		2	LABEL, GREASE 10 HRS	MAIN LEV CYL BOTTOM RH AND LH
LL20-100790		1	SERIAL NUMBER PLATE	
LL-134551		2	DECAL, HILLCO 2000 SERIES LEVELING SYSTEM	BLACK

Model 2950 and Model 2960 Hillco Leveling Systems

**10 PART NUMBER INDEX**

PART NO.	PAGE	PART NO.	PAGE	PART NO.	PAGE	PART NO.	PAGE
D-010511CLA01	9-1	F-FWH-12M	2-9	F-HNF-04C	2-7, 2-9, 3-3,	HA-133131	8-11
D-010512DJC01	9-1	F-HC-10M020F	2-9	F-HNF-05C	2-7, 7-3, 8-1	HA-C-6FF	8-11
D-010611MDH01	9-1	F-HC-10M030F	2-9	F-HNF-06C	2-7, 7-3, 8-5	HA-E-4MO	8-1
EC-100009	7-1	F-HC-10M070F	2-9	F-HNF-08C	2-7	HA-F-2FP2MP	8-12
EC-100010	7-1	F-HC-10M100E	8-5	F-HNF-10ME	2-9	HA-J-4MJ4MJ	8-11
EC-100012	7-1	F-HC-16M100E	3-3	F-HNF-10MF	2-7, 2-9	HA-J-8MJ8MJ	8-11
EC-100018	7-1	F-HC-16M140E	2-9	F-HNF-10MF	2-9	HA-L-10FJ10MJ	8-11
EC-100161	7-5	F-HC-20M160E	5-1	F-HNF-12ME	2-9, 8-5	HA-L-2FP2MP	8-12
EC-100162	7-5	F-HC-20M210E	5-1	F-HNF-12MF	2-9	HA-L-2MP4MJ	8-11, 8-12
EC-100163	7-5	F-HC-24M160E	3-3	F-HNF-16M	3-3	HA-L-4FF4MJ	8-11
EC-100164	7-5	F-HC5-04C16	3-3	F-HNF-16ME	2-9	HA-L-4FJ4MJ	8-11
EC-100165	7-5	F-HC5-04C16	8-7	F-HNFN-10MF	2-7	HA-L-4MF4FF	8-11
EC-100166	7-5	F-HC5-04C28	5-1	F-HNJ-08C	2-7	HA-L-4MJ4MO	8-11
EC-100167	7-5	F-HC5-06C12	3-3	F-HNJ-10C	6-1	HA-L-4MJ6MO	8-11, 8-12
EC-100177	7-1	F-HC5-06C14	2-7	F-HNN-06C	3-3, 8-5	HA-L-4MJ8MO	8-12
EC-100186	7-1, 8-1	F-HC5-06C20	2-7, 3-3, 7-3	F-HNN-08C	8-5	HA-L-6MO8MJ	8-11
EC-100187	7-1	F-HC5-08C20	3-3, 6-1	F-HNN-08F	8-5	HA-L-8FJ8MJ	8-12
EC-100555	7-1, 7-5	F-HC5-08C32	6-1	F-HNN-16M	3-3	HA-L-8MJ8MO	8-11, 8-12
EC-100557	7-1	F-HC5-08C40	6-1	F-HNN-8ME	2-9	HA-L-8MO8MO	8-12
EC-100628	7-5	F-HC5-10F16	3-3	F-HNS-08C	2-9, 6-1	HA-M-12MF12MO	8-11
EC-100692	7-1	F-HC8-06C120	8-5	F-HNS-10C	2-7	HA-M-16MF16FF	8-11
EC-101874	7-1	F-HC8-06C20	8-5	F-HNS-12C	3-3	HA-NB-4FJ	8-11
EC-101876	7-1	F-HC8-06C80	8-5	F-HNS-16ME	2-9	HA-NB-8FJ	8-11
EC-101877	7-1	F-HC8-06C88	8-5	F-HNSF-05F	2-7	HA-NJ-2FN	8-12
EC-102021	7-5	F-HC8-07C64	8-5	F-HNSF-08C	2-7, 4-1	HA-P-10MO	8-11
EC-133171	7-1	F-HC8-08C32	2-7, 2-9	F-HNSF-10C	4-1	HA-P-8MO	8-11
EC-133181	7-1	F-HC8-08C36	8-5	F-HNSF-16C	4-1	HA-Q-6MJ6MO	8-11
EC-133191	7-1	F-HC8-08C48	4-1	F-LW-04	5-1, 8-7	HA-S-10MJ10MO	8-11
EC-133201	7-1	F-HC8-10C112	3-3	F-LW-06	2-7, 3-3, 7-3	HA-S-12MJ12MO	8-12
EC-133211	7-1	F-HC8-10C32	2-7	F-LW-06A	2-7, 8-5	HA-S-12MO16MJ	8-11
EC-133221	7-1	F-HC8-10C36	3-3	F-LW-08	2-7, 3-3	HA-S-16FF16MJ	8-11
EC-133231	7-1	F-HC8-10C88	2-7, 4-1	F-LW-10A	2-7, 3-3	HA-S-2MN2FP	8-12
EC-133241	7-1	F-HC8-12C240	3-3	F-LW-10M	8-5	HA-S-4FF4MJ	8-11
EC-133251	7-1	F-HC8-16C44	4-1	F-LW-12A	3-3	HA-S-4FP10MO	8-1, 8-11
EC-133261	7-1	F-HC8-16C48	3-3	F-LWE-#6	7-3	HA-S-4MJ8MO	8-11
EC-133281	7-1	F-HC8-16C56	4-1	F-LWH-16	3-3	HA-S-8FF8MJ	8-12
F-AT-08F	8-5	F-HCF-10M020F	2-7, 2-9	F-MB-10NR20	3-3	HA-T-6MF6MO	8-11
F-CB-05C16	2-7	F-HCF-10M040E	8-5	F-MB-14NR40	2-7, 2-9	HC-100338	8-1
F-CB-06C20	2-7	F-HCF-10M050F	6-1	F-MB-18NR24	4-1	HC-100341	8-3
F-CB-08C28	2-7	F-HCF-10M060E	2-9	F-PCL-08024	8-5	HC-100342	8-3
F-CB-08C32	2-7	F-HCF-12M040E	8-5	F-PCT-03016	8-5	HC-100706	2-1, 8-7
F-CB-10M030F	2-9	F-HCF-12M050E	2-9	F-PCT-04X48	3-3	HC-100805	8-7
F-CB-12M040F	2-9	F-HCF-16M050E	2-9	F-PCT-05X48	4-1	HC-100809	8-1
F-EB-04C20	2-7, 2-9, 3-3, 7-3	F-HCF-16M060E	2-9	F-PHMS-#10C28	7-3	HC-100810	8-1
F-EYA-08F	8-5	F-HN-12MF	2-9	F-PHMS-#6C12	7-3	HC-100811	8-1
F-FC8-06C40	2-7	F-HN-20ME	5-1	F-PR-05X20	2-7, 2-9	HC-100969	8-1
F-FHS-05F10	2-7	F-HN5-04C	8-7	F-PZL-04F	8-12	HC-101019	8-1
F-FHS-05F16	2-7	F-HN5-06C	2-7, 3-3, 7-3	F-PZS-02	2-7	HC-101020	8-1
F-FHS-8M015E	2-9	F-HN5-08C	2-7	F-REA-08C80	8-5	HC-101021	8-1
F-FHS-8M025E	2-9	F-HN5-08F	8-5	F-SHC-06C48	2-7	HC-101022	8-1
F-FW-04	5-1	F-HN5-10C	3-3	F-SS-06C08	2-7	HC-101024	8-1
F-FW-08	8-5	F-HN8-06C	2-7	F-THC-05C12	2-7, 3-3, 7-3	HC-101025	8-1
F-FW-16M	3-3	F-HN8-07C	8-5	F-THMS-04C08	7-3	HC-101034	8-1
F-FWF-06X20	3-3	F-HN8-10C	2-7, 3-3	F-THMS-04C12	7-3	HC-101038	8-1
F-FWH-06	2-7	F-HN8-16C	3-3	F-THMS-05C12	8-1	HC-101064	8-1
F-FWH-08	2-7, 2-9	F-HNC-24F	4-1	F-THMS-06C16	2-7, 7-3, 8-5	HC-101259	8-1
F-FWH-10	3-3, 4-1	F-HNF-#10C	7-3	F-THMS-06C24	3-3	HC-101261	8-1
F-FWH-10M	2-9	F-HNF-#6C	7-3	F-THMS-06C96	2-7	HC-101262	8-1

Model 2950 and Model 2960 Hillco Leveling Systems

**PART NUMBER INDEX (CONTINUED)**

PART NO.	PAGE	PART NO.	PAGE	PART NO.	PAGE	PART NO.	PAGE
HC-101264	8-1	LA-134641	7-5	LM-226831	2-1	MC-100324	2-5
HC-101265	3-1, 8-7	LA-134651	7-5	LM-226841	2-1	MC-100325	2-5
HC-101842	3-1, 8-7	LA-134661	7-5	LM-228441	2-1	MC-100546	2-1, 2-3
HC-101843	8-7	LA-134671	7-5	LM-228871	2-1	MC-100548	2-1, 2-3
HC-101870	8-7	LA-134681	7-5	LM-229141	2-1, 2-3	MC-100768	8-7
HC-101878	8-7	LA-134691	7-5	LM-229151	2-1	MC-101332	2-1, 2-3
HC-101941	8-7	LA-134701	7-5	LM-229161	2-1	MC-101333	2-1, 2-3
HC-101942	8-7	LA-134711	7-5	LM-229171	2-1	MC-101339	2-1, 2-3
HC-102025	8-7	LA-134721	7-5	LM-229181	2-1	MC-101343	3-3
HC-102052	8-1	LA-228451	3-1	LM-229191	2-1	MC-101881	2-1, 2-3
HC-102067	8-3	LA-228581	3-1	LM-229201	2-1	MC-101881	2-3
HC-102068	8-7	LA-228701	4-1	LM-229221	3-1	MC-102153	2-1, 2-3, 2-5
HC-102082	8-1	LA-228721	4-1	LM-229431	3-1	MC-103066	2-1, 2-3
HC-102125	8-7	LA-228761	4-1	LM-229491	7-1	MC-103067	2-1, 2-3
HC-102317	8-1	LA-228791	3-1	LM-229501	7-1	MC-103113	2-1, 2-3
HC-103085	8-1	LA-228811	5-1	LM-230251	7-1	MC-133061	3-1
HC-103228	3-1, 8-7	LA-228891	2-1	LM-230271	3-1	MC-133071	3-1
HC-131111	8-1	LA-229021	2-1	LM-230501	7-1	MC-133081	3-1
HC-133141	8-1	LA-229051	2-1, 2-3	LM-230611	3-1	MC-133091	3-1
HC-133151	8-3	LA-229071	2-1, 2-3	LM-230621	3-1	MC-134321	8-3
HC-133161	8-3	LA-229121	2-1, 2-3	LM-230631	3-1	MC-134331	8-3
HC-134191	8-7	LA-229251	3-1	LM-230641	3-1	MC-134341	8-3
HC-134201	8-7	LA-229291	8-1, 8-3	LM-230751	3-1	MC-134351	8-3
HC-134531	8-3	LA-229401	8-3	LM-232141	2-1, 2-3, 2-5	MC-134361	8-3
HC-134541	8-7	LA-229411	8-3	LM-232151	2-1, 2-3	MC-134921	6-1
HC-134911	8-7	LA-229471	7-1	LM-232161	2-1, 2-3	MC-134931	6-1
LA-130291	8-9	LA-230551	3-1	LM-232191	8-5	MC-134941	6-1
LA-130301	8-9	LA-230571	8-3	LM-232201	8-5	MC-134951	8-5
LA-130311	8-9	LA-230841	8-3	LM-234101	4-1	MFL20-100721	8-1
LA-130321	8-9	LA-234141	3-1	LM-234231	2-1, 2-3		
LA-130331	8-9, 8-10	LA-234951	2-1	LM-234241	2-1, 2-3		
LA-130341	8-9	LA-235371	8-3	LM-234291	3-1		
LA-130351	8-10	LA-235381	8-3	LM-235281	8-3		
LA-130371	8-9	LA-235601	2-1, 2-3	LM-235291	8-3		
LA-130381	8-9	LA-236241	6-1	LM-235821	8-3		
LA-130401	8-9	LA-236341	6-1	LM-235831	8-3		
LA-130411	8-9	LA-236491	3-1	LM-235841	7-1		
LA-130421	8-10	LA-236741	3-1	LM-235851	7-1		
LA-130431	8-10	LA-236881	6-1	LM-235861	7-1		
LA-130441	8-9	LA-236891	6-1	LM-235921	8-3		
LA-130451	8-9	LL-133731	9-1	LM-235931	8-11		
LA-130461	8-10	LL-133741	9-1	LM-236051	6-1		
LA-130471	8-10	LL-134551	9-1	LM-236231	2-1		
LA-130481	8-9	LL20-100782	9-1	LM-236321	6-1		
LA-130761	8-10	LL20-100783	9-1	LM-236611	8-3		
LA-130771	8-10	LL20-100784	9-1	LM-237001	2-7		
LA-130781	8-10	LL20-100785	9-1	LP-103871	3-1		
LA-133671	8-10	LL20-100786	9-1	LP-228881	2-1		
LA-133681	8-10	LL20-100787	9-1	LP-230241	3-1		
LA-133691	8-10	LL20-100788	9-1	LP-235311	8-3		
LA-133701	8-10	LL20-100790	3-1, 9-1	MC-100051	8-5		
LA-133911	8-9	LL20-101868	7-1	MC-100168	2-7, 3-3		
LA-133921	8-9	LL20-101869	7-1	MC-100237	2-1, 2-3		
LA-133931	8-9	LM-206841	3-1	MC-100239	2-1, 2-3		
LA-133941	8-9	LM-206851	3-1	MC-100240	2-1, 2-3		
LA-133951	8-9	LM-207801	2-1	MC-100321	2-5		
LA-134621	7-5	LM-212701	2-1, 2-3	MC-100322	2-5		
LA-134631	7-5	LM-219501	7-1	MC-100323	2-5		