

Model 2810
Hillside Leveling System
Parts Manual

SN 2810-1201 thru 2810-1299

D-070206ADL01A





2810 Leveling System *for AFX 8010 Combines*

TABLE OF CONTENTS

| | |
|--|------------|
| 1 GENERAL INFORMATION | 1-3 |
| Serial Number Location | 1-3 |
| Text Format and Illustrations | 1-3 |
| Abbreviations..... | 1-3 |
| Right and Left Identification | 1-3 |
| Parts Orders | 1-3 |
| 2 TRANSITION | 2-1 |
| Radial Pin Slip Clutch | 2-3 |
| Transition Fasteners..... | 2-5 |
| Wheel, Wheel Spacer & Wheel Washer | 2-7 |
| 3 CARRIAGE | 3-1 |
| Carriage Fasteners..... | 3-3 |
| 4 DROP AXLE | 4-1 |
| 5 LADDER | 5-1 |
| 6 ELECTRICAL | 6-1 |
| Electrical Connectors and Cables | 6-3 |
| 7 HYDRAULICS | 7-1 |
| Hydraulic Manifold..... | 7-3 |
| Hydraulic Hoses | 7-5 |
| Hydraulic Adapters | 7-6 |
| 8 MISCELLANEOUS | 8-1 |
| 9 PART NUMBER INDEX | 9-1 |
| Part Number Index (Continued)..... | 9-2 |

Model 2810 Hillco Leveling System
For Serial Numbers 2810-1201 thru 2810-1299

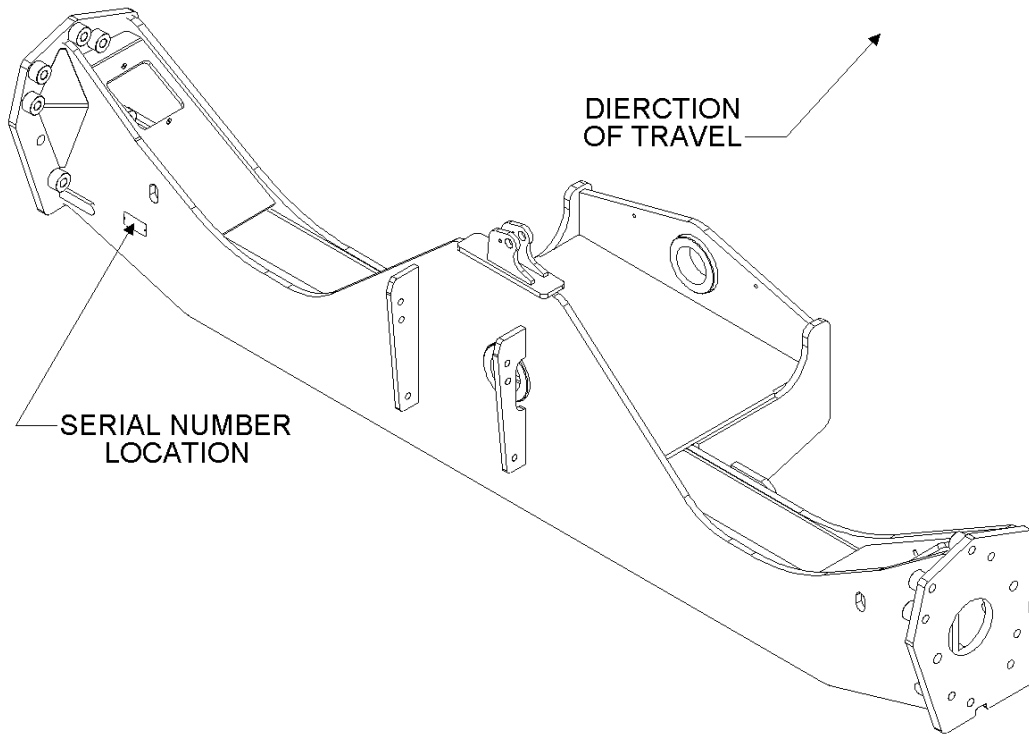
Hillco Technologies, Inc.
107 1st Avenue
Nezperce Id. 83543

| | |
|-----------|--------------|
| Fax | 208.937.2280 |
| Phone | 208.937.2461 |
| Toll Free | 800.937.2461 |

www.hillcotechnologies.com

1 GENERAL INFORMATION

SERIAL NUMBER LOCATION



TEXT FORMAT AND ILLUSTRATIONS

The arrangement of this parts catalog is for easy identification of parts. All parts are illustrated in exploded views in proper relation to each other. Some diagrams refer to other pages for further information. Reference numbers used in the illustrations refer to line numbers in the part lists. The part lists appear to the right or below all diagrams and correspond with those diagrams. Included in the part lists, along with the reference numbers are part numbers, part descriptions and the quantity of the part required per leveling system.

ABBREVIATIONS

SN "Serial Number" refers to the serial number given to each leveling system (by Hillco Technologies), as well as the serial number given to the combine (by the specific combine manufacturer) the leveling system is installed. See above for the leveling system's serial number location. This abbreviation is used interchangeably in both instances. Each Model 2810 Leveling System uses the following serial number format: 2810-XXXX (sequential numbers).

ASM "Assembly" refers to a whole grouping of parts (shown in the diagram corresponding with the page where "ASM" is shown unless otherwise noted). Some assemblies have parts that are sold separately, however some must be purchased as a single unit. Hillco Product Specialists will be able to assist you with any questions.

NS "Not Shown" refers to a part that is not depicted in the illustration.

RIGHT AND LEFT IDENTIFICATION

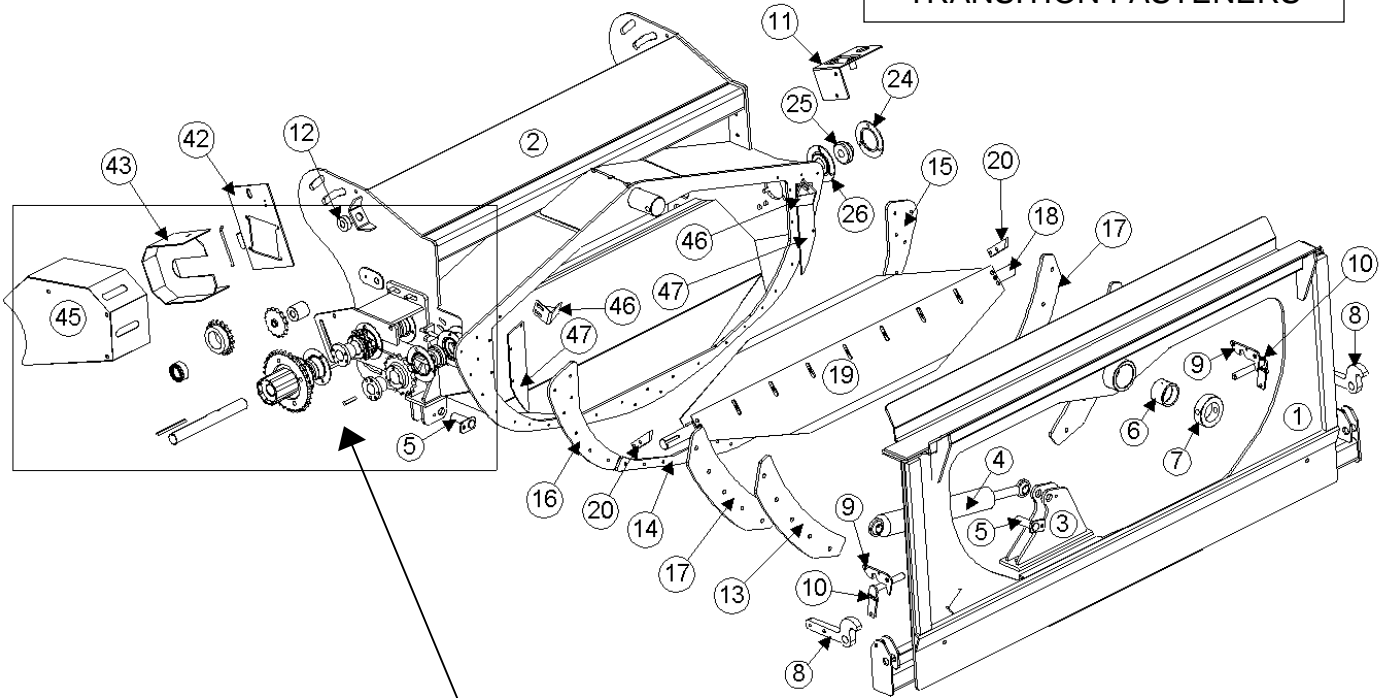
The reference to right-hand and left-hand in this catalog is identified by the operator sitting in the operator's seat, looking toward the front of the machine (in normal forward travel).

PARTS ORDERS

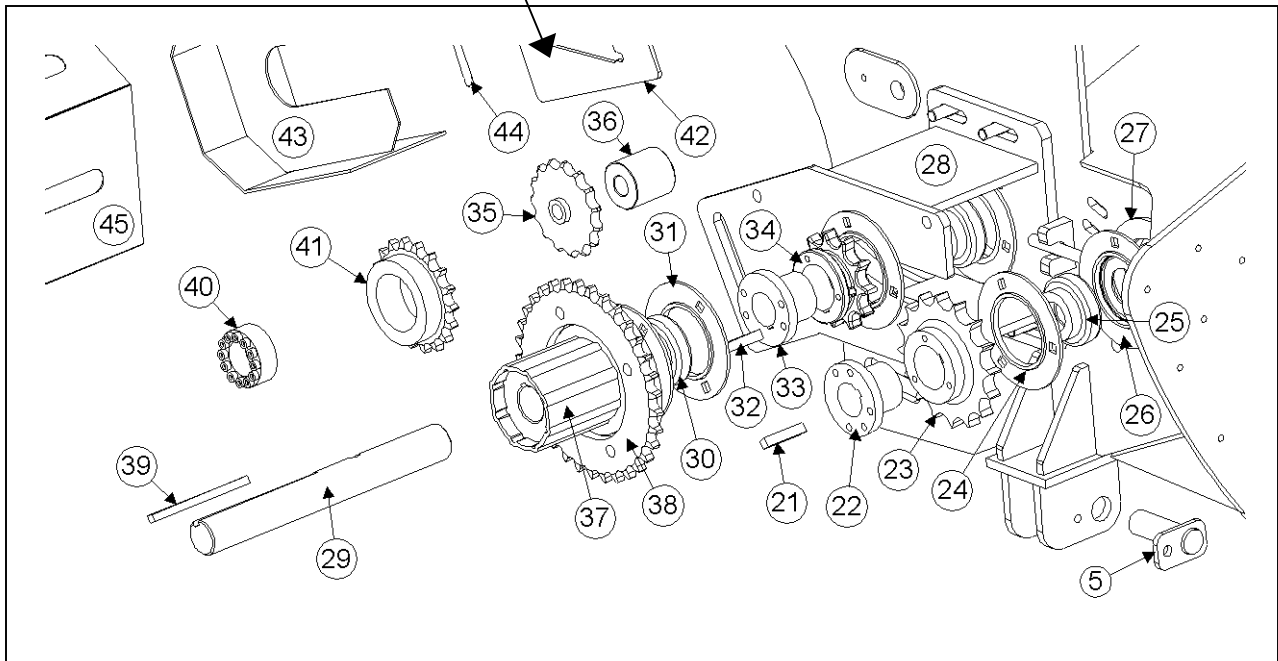
Orders must specify product model, serial number, correct part number, complete description, quantity required, method of shipment, shipping address, and billing address.

2 TRANSITION

SEE PAGE 2-3 FOR
TRANSITION FASTENERS



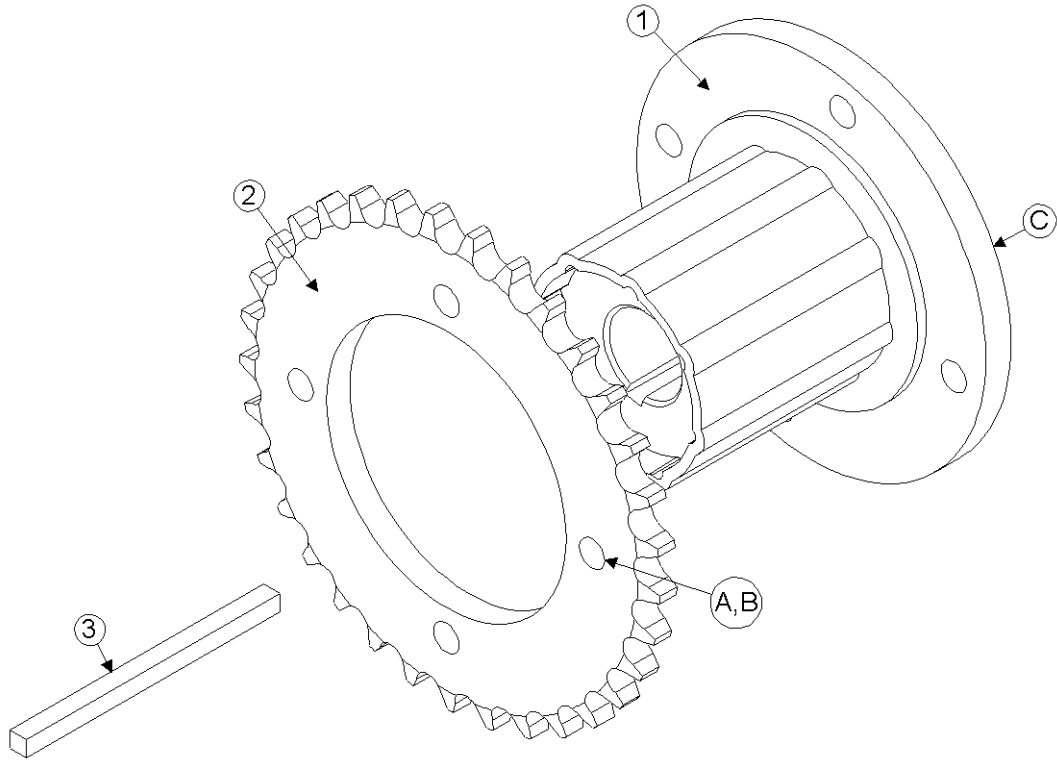
DRIVE COMPONENT DETAIL



Model 2810 Hillco Leveling System
For Serial Numbers 2810-1201 thru 2810-1299

| TRANSITION COMPONENTS | | | | |
|---|-----------------|-------------|---------------------------------|---------------------------------|
| REF. | PART NO. | QTY. | PART NAME | NOTES |
| 1 | LA-251512 | 1 | TA ASM | |
| 2 | LA-251624 | 1 | TT ASM | |
| 3 | LA-255141 | 1 | TM MOUNT ASM, ROD | |
| 4 | HC-100706 | 1 | CYLINDER, SLAVE | SEE HYDRAULIC PAGE 7-1 |
| 5 | LA-229071 | 2 | TM PIN ASM, TRIM CYLINDER | |
| 6 | LTP-241721 | 1 | BUSHING, PIVOT | |
| 7 | LM-226841 | 1 | TM COLLAR, PIVOT | |
| 8 | LM-250641 | 2 | TM ARM, HEADER LOCK | |
| 9 | LM-262951 | 2 | TM PLATE, HEADER LATCH | |
| 10 | LA-262981 | 2 | TM ASM, HEADER LOCK | |
| 11 | LA-253621 | 1 | TM ASM, HYDRAULIC COUPLER | |
| 12 | LM-251791 | 2 | TM SPACER, EYEBOLT | |
| 13 | LP-249871 | 2 | TM UHMW, BACKING | |
| 14 | LM-255181 | 1 | TM PLATE, WEAR BOTTOM | |
| 15 | LM-255191 | 1 | TM PLATE, WEAR LH | |
| 16 | LM-255201 | 1 | TM PLATE, WEAR RH | |
| 17 | LM-255121 | 2 | TM PLATE, BACKING | |
| NS | MC-145461 | 1 | SPRING, TORSION, LH WIND | HEADER LOCK LATCH |
| NS | MC-145471 | 1 | SPRING, TORSION, RH WIND | HEADER LOCK LATCH |
| BEATER SHAFT | | | | |
| 18 | LA-251632 | 1 | TB ASM, SHAFT | MUST BE USED WITH METAL PADDLES |
| 19 | LM-251002 | 2 | TB PADDLE, METAL | NOT SUITABLE FOR CORN |
| 20 | LM-262811 | 2 | TM STRIPPER, BEATER SHAFT | |
| 21 | LS-212701 | 1 | TM KEY, BEATER DRIVE | |
| 22 | MC-135511 | 1 | HUB, SPLIT TAPER 1-7/16 | |
| 23 | MC-136151 | 1 | SPROCKET, 80P, 14T TAPER BORE | |
| 24 | MC-101339 | 1 | FLANGETTES, RND BEARING (PAIR) | |
| 25 | MC-100548 | 2 | INSERT, BEARING, 1-7/16 | |
| 26 | LA-243691 | 2 | TM ASM, INNER FLANGETTE | |
| 27 | LP-263111 | 2 | TM SPACER, BEATER BEARING | |
| NS | LM-213243 | 1 | TM CHAIN, 30 PIN 80P | |
| NS | MC-142871 | 1 | LINK, CONNECTING, 80P | |
| NS | MC-142881 | 1 | LINK, OFFSET, 80P | |
| TRANSITION THROAT JACK SHAFT | | | | |
| 28 | LA-251322 | 1 | TM ASM, JS MOUNT | |
| 29 | LM-251771 | 1 | TT SHAFT, JACK | |
| 30 | MC-100548 | 2 | INSERT, BEARING, 1-7/16 | |
| 31 | MC-101339 | 2 | FLANGETTES, RND BEARING (PAIR) | |
| 32 | LS-212701 | 1 | TM KEY, JACK SHAFT | |
| 33 | MC-135511 | 1 | HUB, SPLIT TAPER 1-7/16 | |
| 34 | MC-135491 | 1 | SPROCKET, 80P, 11T TAPER BORE | |
| 35 | MC-100237 | 1 | SPROCKET, IDLER, 60P, 15T, 5/8B | |
| 36 | LM-251881 | 1 | TM SPACER, 60P IDLER SPROCKET | |
| 37 | LA-259821 | 1 | RADIAL PIN SLIP CLUTCH | 1050 Nm |
| 38 | LM-226532 | 1 | TM SPROCKET, RADIAL SLIP CLUTCH | |
| 39 | LM-244471 | 1 | TM KEY, RADIAL SLIP CLUTCH | |
| 40 | MC-101838 | 1 | HUB, POWER LOCK, 1-3/8B | |
| NS | MC-145481 | 2 | DRAW LATCH, RUBBER | |
| NS | LP-251782 | 1 | TM CHAIN, 68 PIN 60P | |
| NS | MC-139361 | 1 | LINK, CONNECTING, 60P | |
| NS | MC-139371 | 1 | LINK, OFFSET, 60P | |
| FEEDER HOUSE BEATER DRIVE | | | | |
| 41 | LM-255211 | 1 | TM SPROCKET, POWERLOCK, 18T 60P | |
| 42 | LA-263061 | 1 | TM SHIELD ASM, REAR DRIVE INNER | |
| 43 | LA-263071 | 1 | TM SHIELD ASM, REAR DRIVE OUTER | |
| 44 | LM-263091 | 1 | TM RND, SHIELD PIVOT | |
| 45 | LM-253862 | 1 | TM SHIELD, MAIN DRIVE | |
| OPTIONAL FOR COMBINES HARVESTING LEGUMES (PEAS, LENTILS, GARBANZO BEANS, FLAX) | | | | |
| 46 | LA-259881 | 2 | TM ASM, ANTI-WRAP | |
| 47 | LM-259861 | 2 | TM PLATE, NARROWING | |
| OPTIONAL FOR COMBINES HARVESTING GRASS | | | | |
| NS | LM-262031 | 2 | TM FLAT, TARP HOLDER | |
| NS | LP-262041 | 2 | TM COVER, GRASS | |

Model 2810 Hillco Leveling System
For Serial Numbers 2810-1201 thru 2810-1299
RADIAL PIN SLIP CLUTCH

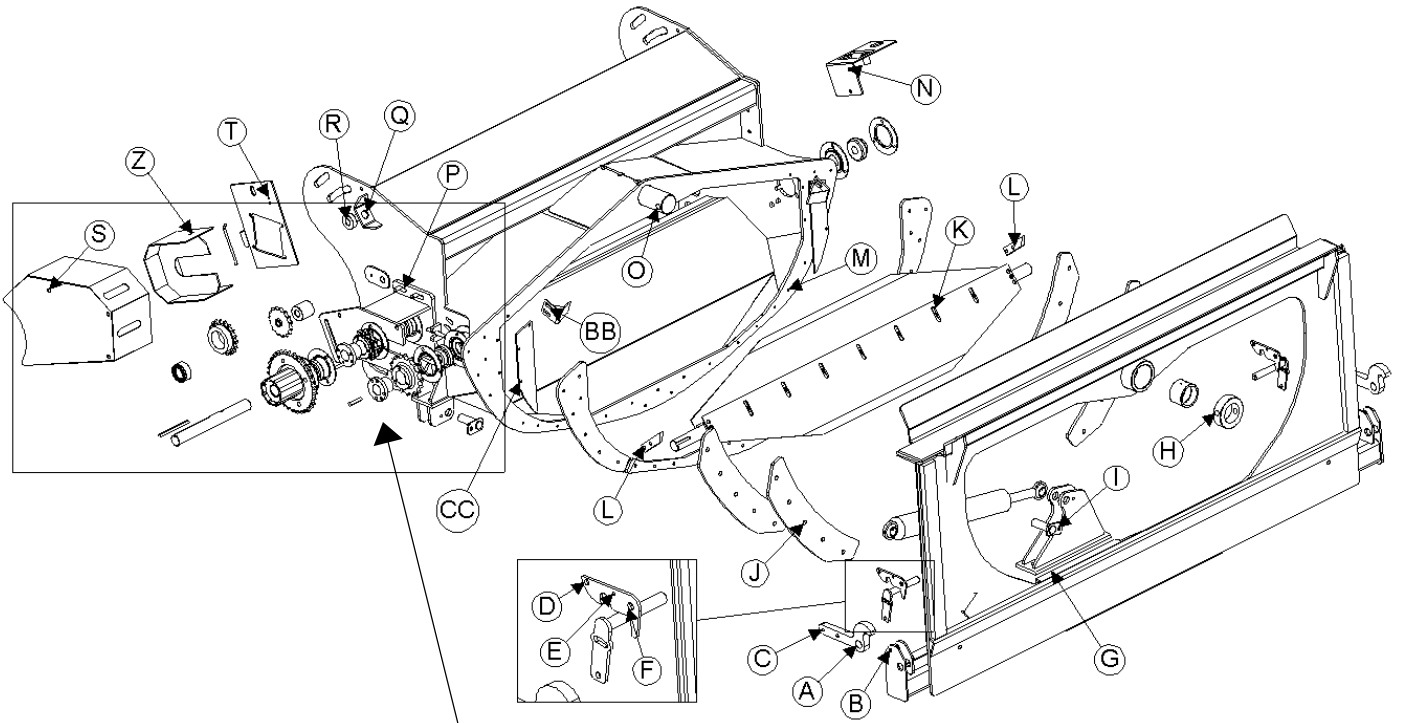


Model 2810 Hillco Leveling System
 For Serial Numbers 2810-1201 thru 2810-1299

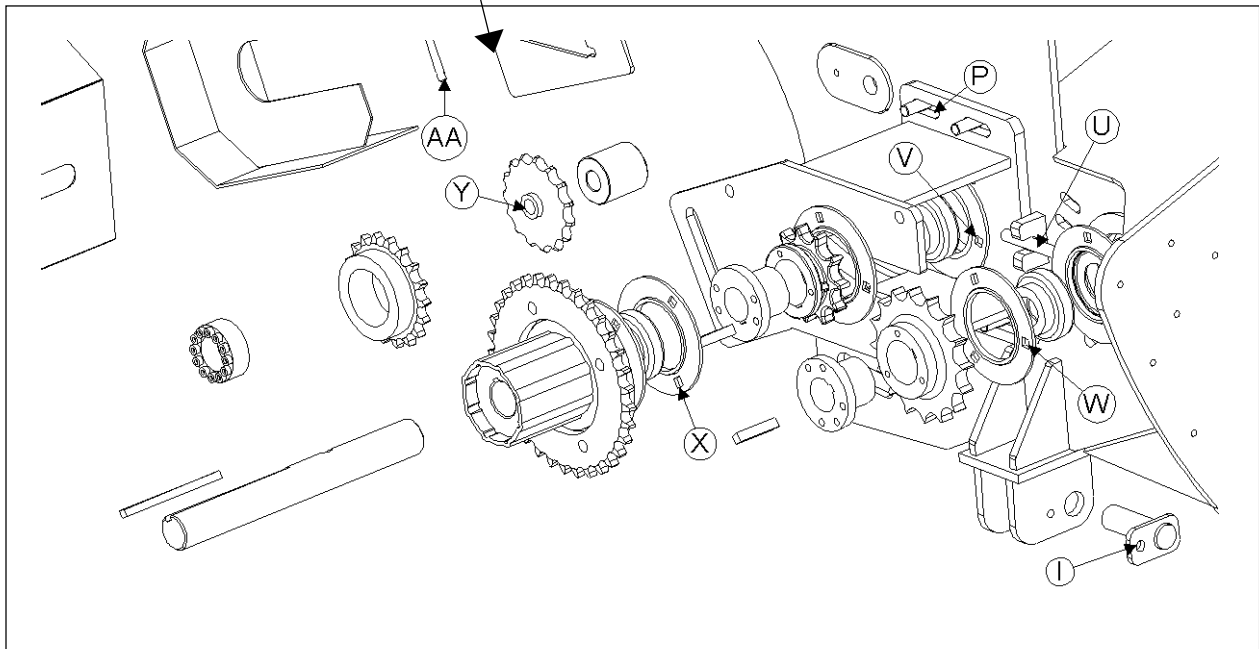
| RADIAL PIN SLIP CLUTCH | | | | |
|---|-----------------|-------------|---------------------------------|--------------------|
| REF. | PART NO. | QTY. | PART NAME | DESCRIPTION |
| 1 | LA-259821 | 1 | RADIAL PIN SLIP CLUTCH | 1050 Nm |
| 2 | LM-226532 | 1 | TM SPROCKET, RADIAL SLIP CLUTCH | |
| 3 | LM-244471 | 1 | TM KEY, RADIAL SLIP CLUTCH | |
| RADIAL PIN SLIP CLUTCH FASTENERS | | | | |
| REF. | PART NO. | QTY. | PART NAME | WHERE USED |
| A | F-HC8-08F20 | 4 | HC8 1/2-20 X 1-1/4 | |
| B | F-LWH-08 | 4 | LW 1/2 HD | |
| C | F-SSS-06C08 | 2 | SCREW, SOCKET SET 3/8-16 X 1/2 | |

Model 2810 Hillco Leveling System
For Serial Numbers 2810-1201 thru 2810-1299

TRANSITION FASTENERS



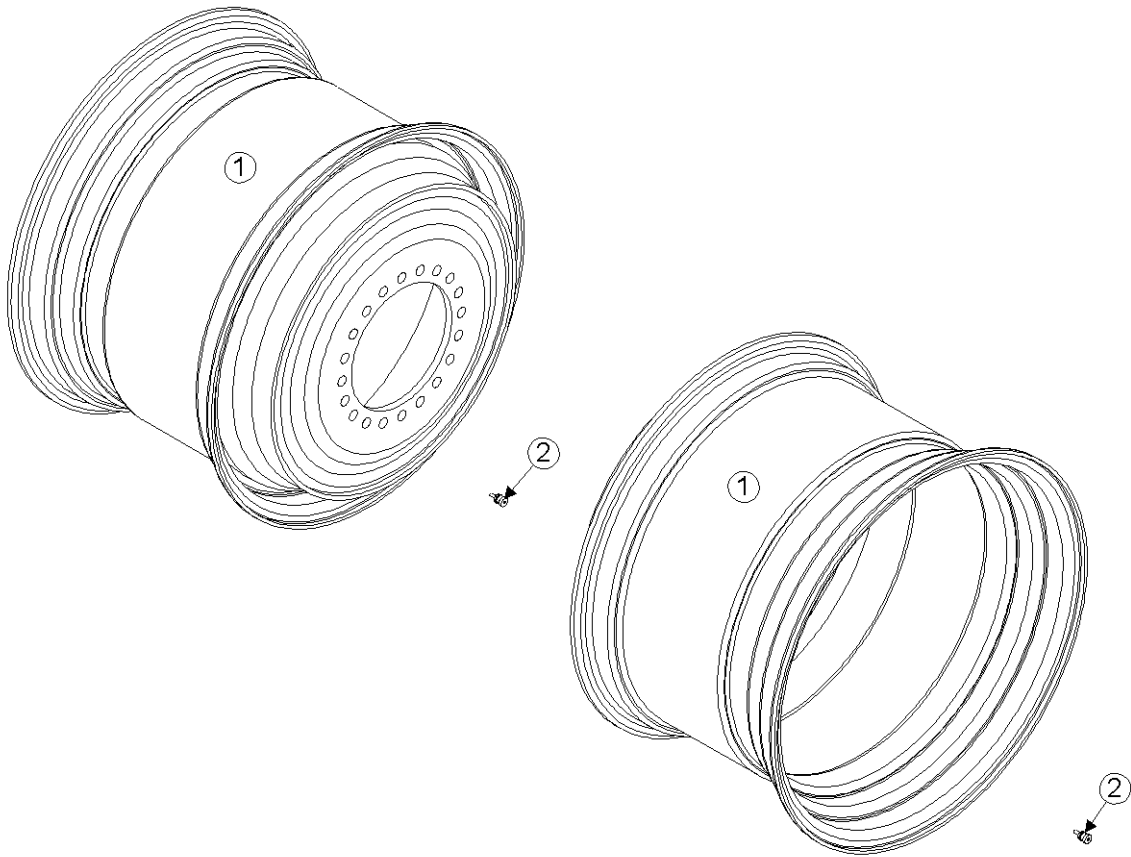
DRIVE COMPONENT FASTENERS DETAIL



Model 2810 Hillco Leveling System
For Serial Numbers 2810-1201 thru 2810-1299

| TRANSITION FASTENERS | | | | |
|---|-----------------|-------------|---------------------------------------|-------------------------------------|
| REF. | PART NO. | QTY. | PART NAME | WHERE USED |
| A | F-PCL-16X32 | 2 | PIN, CLEVIS, 1 X 2 | HEADER LOCK ARM |
| A | F-PCT-03X32 | 2 | PIN, COTTER, 3/16 X 2 | HEADER LOCK ARM |
| B | F-PQR-08X32 | 2 | PIN, QUICK RELEASE | HEADER LOCK ARM |
| C | F-HCF-10M040E | 4 | FLHC-10.0 M10 X 1.50 X 40 | HEADER LOCK ASM TO ARM |
| C | F-HNSF-10ME | 4 | FLHN-10.9 M10 X 1.50 STOVER | HEADER LOCK ASM TO ARM |
| D | F-PR-06X40 | 2 | PIN, ROLL, 3/8 X 2-1/2 PLT | HEADER LOCK LATCH |
| E | F-HC-06M020F | 2 | HC-8.8 M6 X 1.00 X 20 | HEADER LOCK LATCH TORSION SPRING |
| E | F-HNF-06ME | 2 | FLHN-10.9 M6 X 1.00 | HEADER LOCK LATCH TORSION SPRING |
| F | F-PCT-02X16 | 2 | PIN, COTTER, 1/8 X 1 | HEADER LOCK LATCH CLEVIS PIN |
| F | F-PCL-08X32 | 2 | PIN, CLEVIS, 1/2 X 2 PLT | HEADER LOCK LATCH PIVOT |
| G | F-HC-16M050E | 3 | HC-10.9 M16 X 2.00 X 50 | ROD MNT |
| G | F-HNS-16ME | 3 | HN-10.9 M16 X 2.00 STOVER | ROD MNT |
| H | F-HC-16M120E | 1 | HC-10.9 M16 X 2.00 X 120 | TT PIVOT PIN COLLAR |
| H | F-HNS-16ME | 1 | HN-10.9 M16 X 2.00 STOVER | TT PIVOT PIN COLLAR |
| I | F-HCF-10M020E | 2 | FLHC-10.9 M10 X 1.50 X 20 | SLAVE CYLINDER MOUNT PIN |
| J | F-HCF-12M040E | 10 | FLHC-10.9 M12 X 1.75 X 40 | BACKING PLATES |
| K | F-HNSF-12ME | 9 | FLHN-10.9 M12 X 1.75 STOVER | STEEL PADDLES |
| K | F-HCF-12M080E | 9 | FLHC-10.9 M12 X 1.75 X 80 | STEEL PADDLES |
| L | F-HCF-12M020E | 4 | FLHC-10.0 M12 X 1.75 X 20 | BEATER SHAFT STRIPPERS |
| M | F-FHS-8M016E | 29 | FHSC-10.9 M8 X 1.25 X 16 | TT FACE PLATE |
| N | F-HCF-10M025E | 2 | FLHC-10.9 M10 X 1.50 X 25 | HDR HYDRAULIC COUPLER MNT |
| N | F-HNF-10ME | 2 | FLHN-10.9 M10 X 1.50 | HDR HYDRAULIC COUPLER MNT |
| O | F-MB-14NR40 | 3 | BUSHING, MACH 14 GA, NR, 2 1/2" ID | TT PIVOT PIN |
| P | F-HNF-12ME | 4 | FLHN-10.9 M12 X 1.75 | TT 80P CHAIN ADJUSTER |
| Q | F-EYB-20M150E | 2 | EYEBOLT M20 X 2.50 X 150 | ANGLE ADJUSTMENT |
| Q | F-HNF-20ME | 4 | FLHN-10.9 M20 X 2.50 | ANGLE ADJUSTMENT |
| R | F-CB-12C56 | 2 | CARR-GR. 5 3/4-10 X 3-1/2 | ANGLE ADJUSTMENT |
| R | F-HNF-12C | 2 | FLHN-GR. 5 3/4-10 | ANGLE ADJUSTMENT |
| S | F-HNF-10ME | 9 | FLHN-10.9 M10 X 1.50 PLT | MAIN BEATER DRIVE SHIELD |
| S | F-WN-10MF | 3 | WING NUT M10 X 1.50 PLT | MAIN BEATER DRIVE SHIELD |
| S | LM-263021 | 3 | TM ALL THREAD | MAIN DRIVE SHIELD |
| T | F-HCF-08M025E | 4 | FLHC-10.9 M8 X 1.25 X 25 | REAR TRANSITION DRIVE SHIELD |
| T | F-HNS-08ME | 4 | HN-10.9 M8 X 1.25 STOVER | REAR TRANSITION DRIVE SHIELD |
| U | F-FWH-08 | 2 | FW 1/2 HD YELLOW | TT 80P CHAIN ADJUSTER |
| U | F-HNJ-12MF | 2 | HN-8.8 M12 X 1.75 JAM | TT 80P CHAIN ADJUSTER |
| V | F-HCF-10M016F | 3 | FLHC-8.8 M10 X 1.50 X 16 | INNER JACKSHAFT BEARING |
| W | F-CB-10M030F | 6 | CARR-8.8 M10 X 1.50 X 30 | TT BEATER BRNG |
| W | F-HNF-10MF | 6 | FLHN-8.8 M10 X 1.50 | TT BEATER BRNG |
| X | F-CB-10M030F | 3 | CARR-8.8 M10 X 1.50 X 30 | OUTER JACKSHAFT BEARING |
| X | F-HNF-10MF | 3 | FLHN-8.8 M10 X 1.50 | OUTER JACKSHAFT BEARING |
| Y | F-HC-16M110E | 1 | HC-10.9 M16 X 2.0 X 110 | 60P IDLER SPROCKET |
| Y | F-HNS-16ME | 1 | HN-10.9 M16 X 2.0 STOVER | 60P IDLER SPROCKET |
| Y | F-FWH-10 | 5 | FW 5/8 HD | 60P IDLER SPROCKET |
| Z | F-PHM-#6C08 | 6 | PHMS #6-32 X 1/2 | BOLT DRAW LATCH TO SHIELD |
| Z | F-HNF-#6C | 6 | FLHN #6-32 | BOLT DRAW LATCH TO SHIELD |
| AA | F-PCT-02X16 | 1 | PIN, COTTER, 1/8 X 1 | SHIELD PIVOT PIN |
| OPTIONAL FOR COMBINES HARVESTING LEGUMES (PEAS, LENTILS, GARBANZO BEANS, FLAX) | | | | |
| BB | F-HCF-10M025E | 4 | FLHC-10.9 M10 X 1.50 X 25 | ANTI-WRAP ASSEMBLIES |
| BB | F-HNF-10ME | 4 | FLHN-10.9 M10 X 1.50 | ANTI-WRAP ASSEMBLIES |
| CC | F-HC-06M020F | 6 | HC-8.8 M6 X 1.0 X 20 | THROAT NARROWING PLATE |
| CC | F-HNF-06MF | 6 | FLHN-8.8 M6 X 1.0 | THROAT NARROWING PLATE |

Model 2810 Hillco Leveling System
For Serial Numbers 2810-1201 thru 2810-1299
WHEEL, WHEEL SPACER & WHEEL WASHER

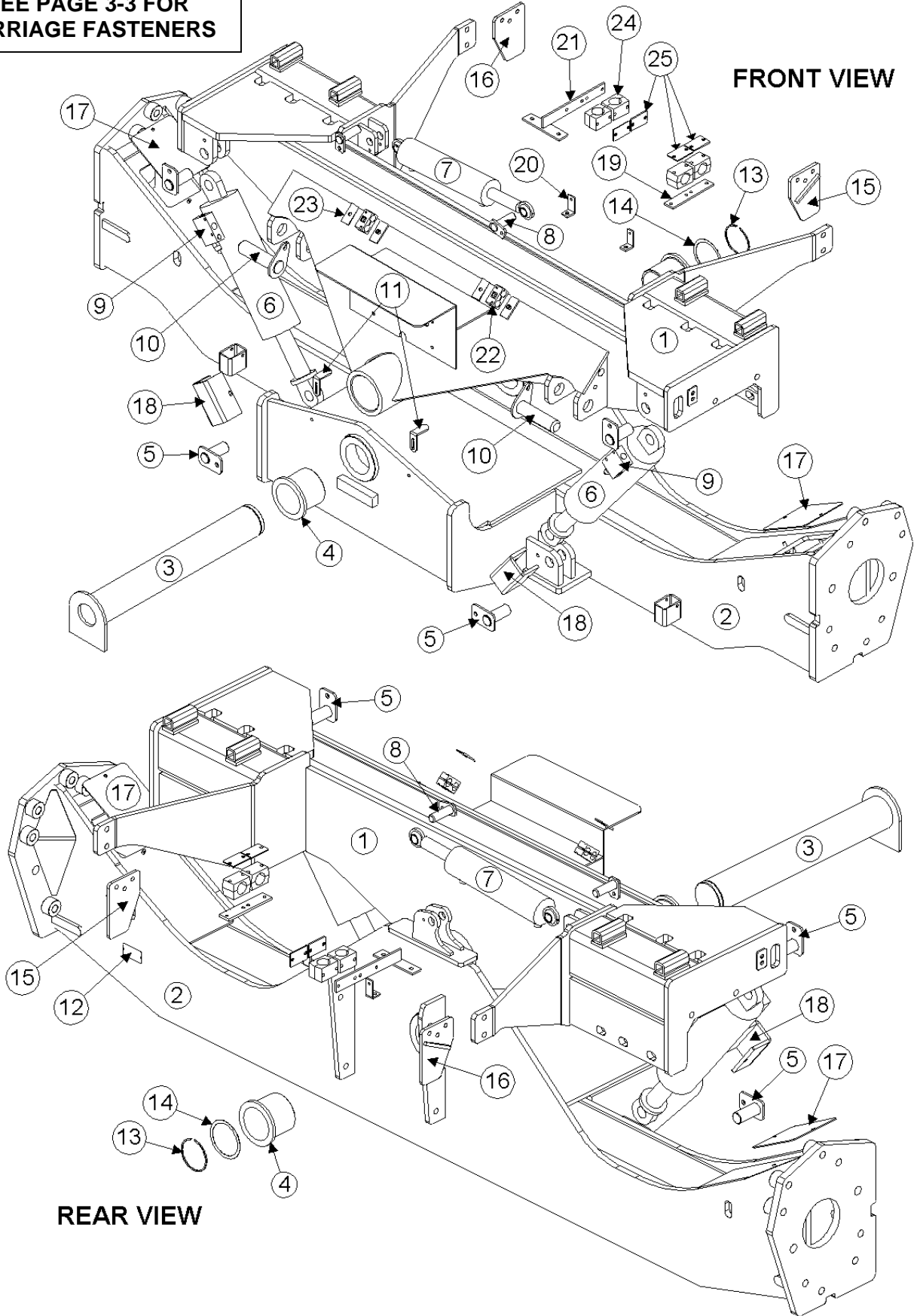


Model 2810 Hillco Leveling System
For Serial Numbers 2810-1201 thru 2810-1299

| WHEEL COMPONENTS | | | | |
|-------------------------|-----------------|-------------|----------------------------|-------------------|
| REF. | PART NO. | QTY. | PART NAME | NOTES |
| 1 | MC-143121 | 4 | 32 X 21 SINGLE PIECE WHEEL | |
| 2 | MC-143921 | 4 | VALVE STEM | |
| WHEEL FASTENERS | | | | |
| REF. | PART NO. | QTY. | PART NAME | NOTES |
| NS | N/A | 20 | BOLT | CASE P/N 87283525 |
| NS | N/A | 10 | SPACER PLATE | CASE P/N 87253501 |
| NS | N/A | 20 | NUT | CASE P/N 336845 |

3 CARRIAGE

SEE PAGE 3-3 FOR
CARRIAGE FASTENERS

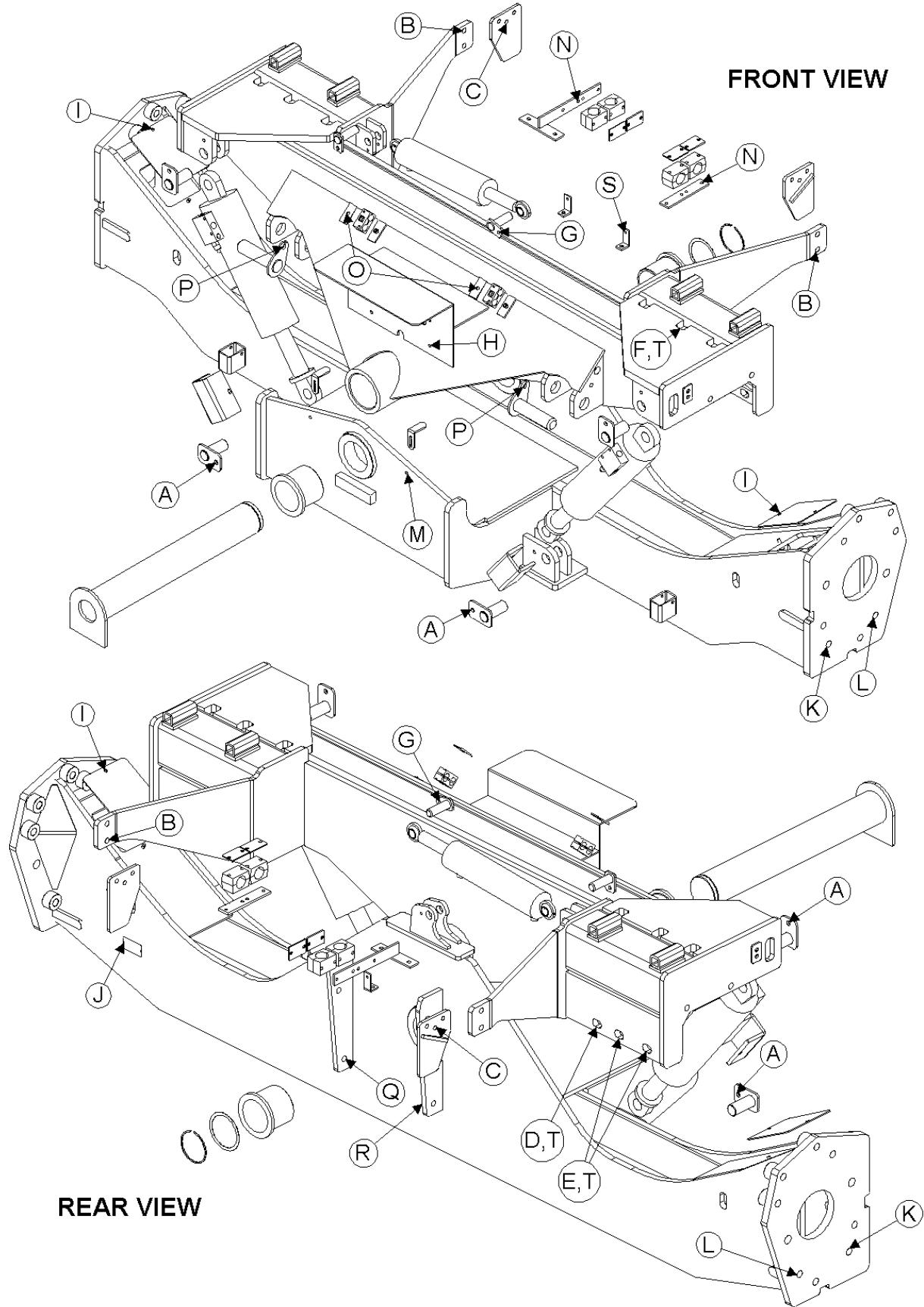


Model 2810 Hillco Leveling System
For Serial Numbers 2810-1201 thru 2810-1299

| CARRIAGE COMPONENTS | | | | |
|--|-----------------|-------------|---------------------------------------|---|
| REF. | PART NO. | QTY. | PART NAME | NOTES |
| 1 | LA-251491 | 1 | CO ASM | |
| 2 | LA-251531 | 1 | CU ASM | |
| 3 | LA-247481 | 1 | CM ASM, MAIN PVT PIN | |
| 4 | LP-247961 | 2 | CM BUSHING, PIVOT | |
| 5 | LA-230551 | 4 | CM PIN ASM, MAIN CYLINDER | |
| 6 | HC-102218 | 2 | CYLINDER, MAIN | SEE HYDRAULICS PAGE 7-1 |
| 7 | HC-101842 | 1 | CYLINDER, MASTER | SEE HYDRAULICS PAGE 7-1 |
| 8 | LA-229071 | 2 | TM PIN ASM, TRIM CYLINDER | |
| 9 | HC-139151 | 2 | VALVE, 3-PORT COUNTERBALANCE | SEE HYDRAULICS PAGE 7-1 |
| 10 | LM-255301 | 2 | CM PIN, HEADER LIFT CYLINDER | |
| 11 | LP-251551 | 2 | EM PLATE, LIMIT STOP | |
| 12 | LA-255951 | 1 | PLATE, SERIAL NUMBER | |
| 13 | MC-138651 | 1 | SNAP RING 4" | |
| 14 | MC-138641 | 1-4 | WASHER, 4.016" ID X 4.764" OD X .48 | |
| 15 | LA-251471 | 1 | CM ASM, LEFT SWING ARM MOUNT | |
| 16 | LA-251481 | 1 | CM ASM, RIGHT SWING ARM MOUNT | |
| 17 | LP-251461 | 2 | CM PLATE, FINAL BOLT COVER | |
| 18 | LP-249321 | 2 | CM SPACER, SHIPPING | |
| NS | MC-137501 | ? | WASHER, QUICK REPAIR 2" | OPTIONAL -- SAFETY STOP -- QTY. AS NEEDED |
| NS | MC-137251 | ? | COLLAR, 2-PIECE CLAMPING 2" BORE | OPTIONAL -- SAFETY STOP -- QTY. AS NEEDED |
| MISCELLANEOUS CARRIAGE COMPONENTS | | | | |
| REF. | PART NO. | QTY. | PART NAME | NOTES |
| 19 | LM-251861 | 1 | HM FLAT, HYDRO HOSE BRACKET | |
| 20 | LM-251871 | 2 | HM MOUNT, BRAKE LINE | |
| 21 | LA-251831 | 1 | HM ASM, HYDRO HOSE BRACKET | |
| 22 | HC-140461 | 2 | BEHRINGER TWIN CLAMP .875 DIAMETER | ON OC HOSES BETWEEN CYLINDERS |
| 23 | HC-139451 | 2 | BEHRINGER TWIN COVER PLATE (FOR .875) | ON OC HOSES BETWEEN CYLINDERS |
| 24 | HC-140641 | 4 | BEHRINGER STD. CLAMP 2" DIAMETER | HYDRO HOSES |
| 25 | HC-140651 | 4 | BEHRINGER STD. COVER PLATE | HYDRO HOSES |

Model 2810 Hillco Leveling System
For Serial Numbers 2810-1201 thru 2810-1299

CARRIAGE FASTENERS

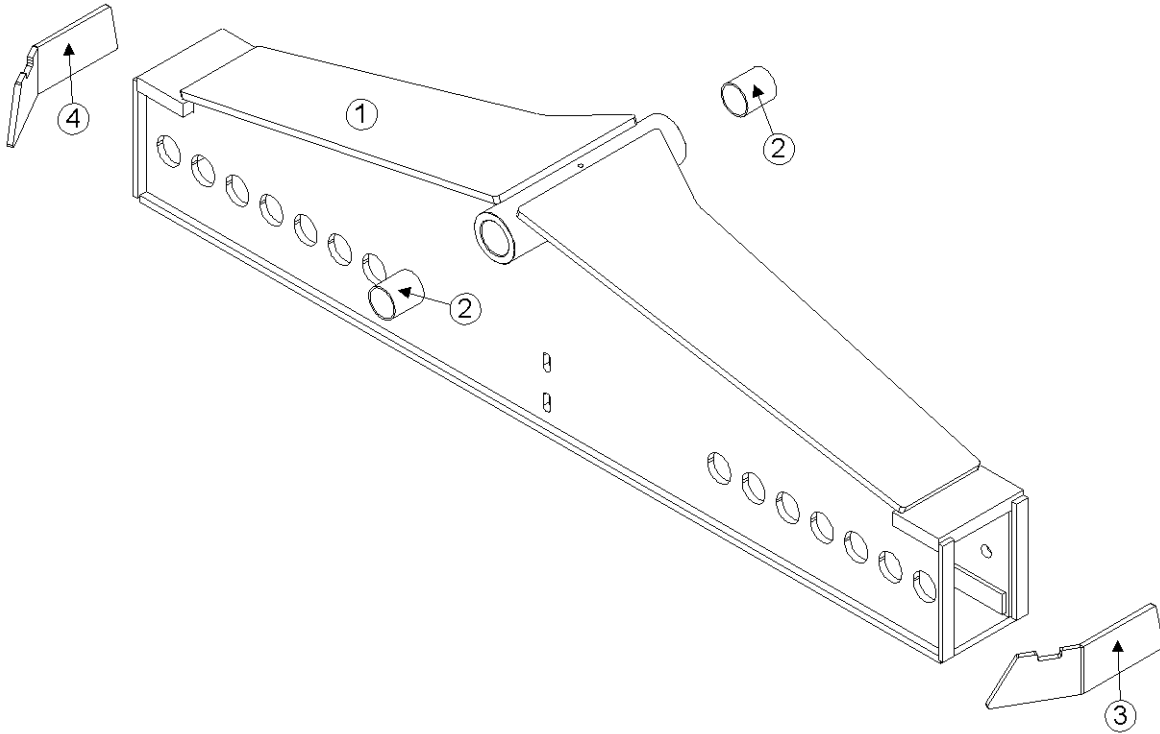


Model 2810 Hillco Leveling System
For Serial Numbers 2810-1201 thru 2810-1299

| CARRIAGE FASTENERS | | | | |
|---------------------------|-----------------|-------------|---|----------------------------------|
| REF. | PART NO. | QTY. | PART NAME | WHERE USED |
| A | F-HCF-12M025F | 4 | FLHC-8.8 M12 X 1.75 X 25 | LEVELING CYL MNT PIN |
| B | F-HC-16M050E | 4 | HC-10.9 M16 X 2.00 X 50 | OC SWING ARM PLATE |
| B | F-HNS-16ME | 4 | HN-10.9 M16 X 2.00 STOVER | OC SWING ARM PLATE |
| C | F-HCF-12M030E | 6 | FLHC-10.9 M12 X 1.75 X 30 | SWING ARM MOUNTING BRACKET |
| C | F-HNF-12MF | 6 | FLHN-8.8 M12 X 1.75 | SWING ARM MOUNTING BRACKET |
| D | F-HC-20M070E | 2 | HC-10.9 M20 X 2.5 X 70 | OC REAR MOUNTING PLATE |
| E | F-HC-20M120 | 4 | HC-10.9 M20 X 2.5 X 120 | OC REAR MOUNTING PLATE |
| F | F-HC-20M280E | 6 | HC-10.9 M20 X 2.5 X 280 | OC BOTTOM MOUNTING PLATE |
| G | F-HCF-10M020E | 2 | FLHC-10.9 M10 X 1.50 X 20 | MASTER CYL MNT PIN |
| H | F-HCF-08M020E | 4 | FLHC-10.9 M8 X 1.25 X 20 | ELECTRICAL ASM TO OC |
| H | F-HNF-08ME | 4 | FLHN-10.9 M8 X 1.25 | ELECTRICAL ASM TO OC |
| I | F-HNF-8MF | 4 | FLHN-10.9 M8 X 1.25 | UC FINAL BOLT COVER PLATES |
| J | F-UDS-#7X06 | 2 | SCREW, U-DRIVE #7 X 3/8 | SERIAL NUMBER PLATE |
| K | F-HC-20M090E | 16 | HC-10.9 M20 X 2.50 X 90 | FINAL DRIVES |
| L | F-SHC-20M090E | 2 | SHCS- 10.9 M20 X 25 X 90 | FINAL DRIVES |
| M | F-HC-8M040F | 2 | HC-8.8 M8 X 1.25 X 40 | LIMIT SWITCH STOPS |
| M | F-HNF-08MF | 2 | FLHN-8.8 M8 X 1.25 | LIMIT SWITCH STOPS |
| N | F-HC-6M090F | 8 | HC-8.8 M6 X 1.0 X 90 | HYDRO HOSE CLAMPS |
| N | F-HNF-6MF | 8 | FLHN-8.8 M6 X 1.0 | HYDRO HOSE CLAMPS |
| O | HC-139461 | 2 | BEHRINGER TWIN BOLT (FOR .875) HC5 5/16-18 X 1-3/4 | ON OC HOSES BETWEEN CYLINDERS |
| P | F-HC-12M040E | 2 | HC-10.9 M12 X 1.75 X 40 | HEADER LIFT CYLINDER PINS |
| P | F-HNS-12ME | 2 | HN-10.9 M12 X 1.75 STOVER | HEADER LIFT CYLINDER PINS |
| Q | F-HC-16M050E | 6 | HC-10.9 M16 X 2.00 X 50 | TRANSMISSION MOUNTING |
| R | MC-141961 | -- | SHIM, ALIGNMENT, 1/16 | TRANSMISSION MOUNTING |
| R | MC-141971 | -- | SHIM, ALIGNMENT, 1/32 | TRANSMISSION MOUNTING |
| R | MC-141981 | -- | SHIM, ALIGNMENT, 1/64 | TRANSMISSION MOUNTING |
| S | F-HC-06M020F | 2 | HC-8.8 M6 X 1.0 X 20 | BRAKE HOSES |
| S | F-HNF-6MF | 2 | FLHN-8.8 M6 X 1.0 | BRAKE HOSES |
| T | F-HNS-20ME | 16 | HN-10.9 M20 X 2.50 STOVER PLT | ALL OC MOUNTING BOLTS |

Model 2810 Hillco Leveling System
For Serial Numbers 2810-1201 thru 2810-1299

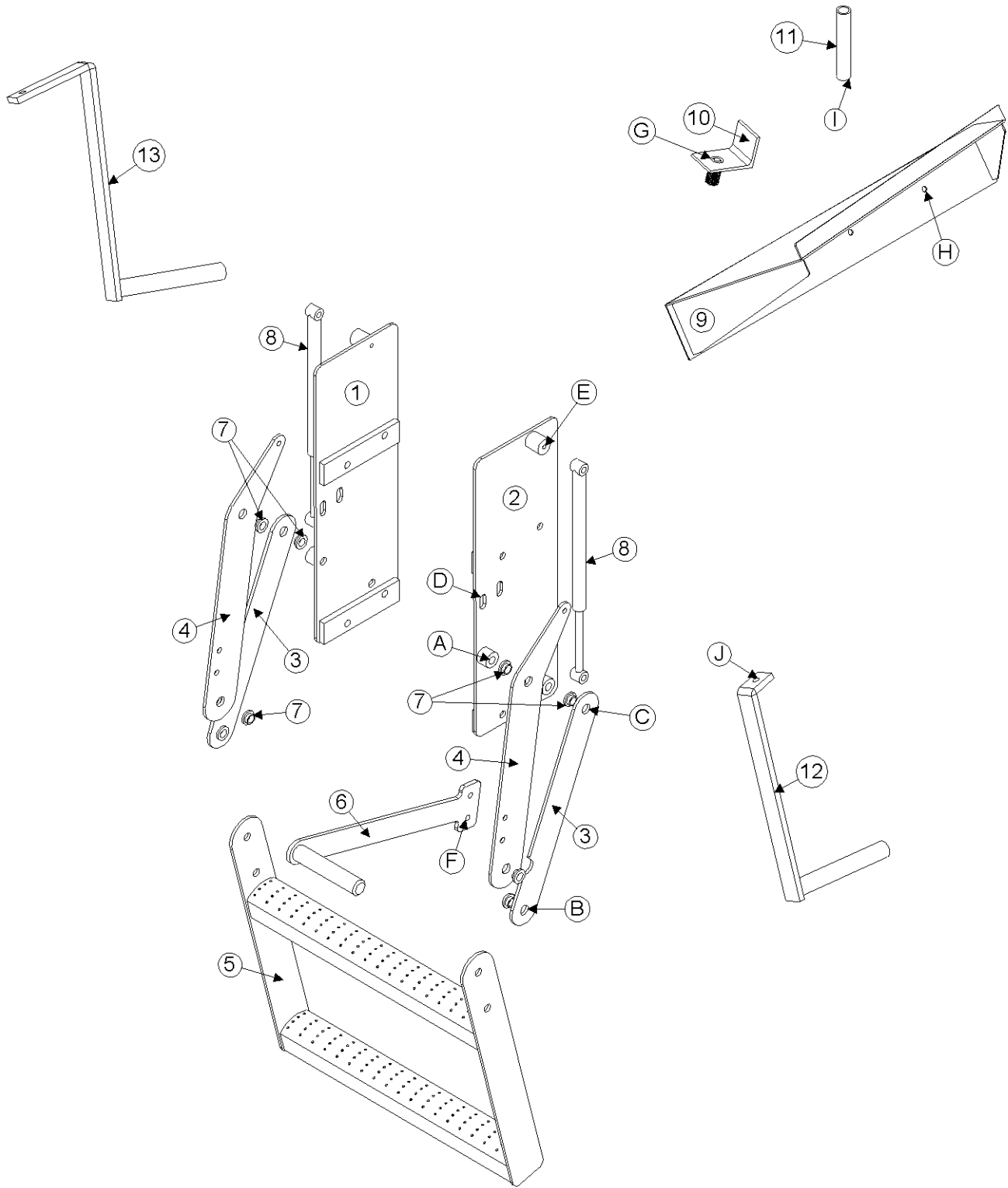
4 DROP AXLE



Model 2810 Hillco Leveling System
For Serial Numbers 2810-1201 thru 2810-1299

| DROP AXLE COMPONENTS | | | | |
|---|-----------------|-------------|----------------------------|------------------|
| REF. | PART NO. | QTY. | PART NAME | NOTES |
| 1 | LA-252161 | 1 | DA ASM | |
| 2 | MC-140791 | 2 | REAR AXLE PIVOT SLEEVE | CNH P/N 84334438 |
| 3 | LP-263211 | 1 | LM GUSSET, REAR AXLE RIGHT | WELDED IN PART |
| 4 | LP-263221 | 1 | LM GUSSET, REAR AXLE LEFT | WELDED IN PART |
| DROP AXLE FASTENERS | | | | |
| **ALL FASTENERS USED ON THE DROP AXLE ARE ORIGINAL EQUIPMENT | | | | |

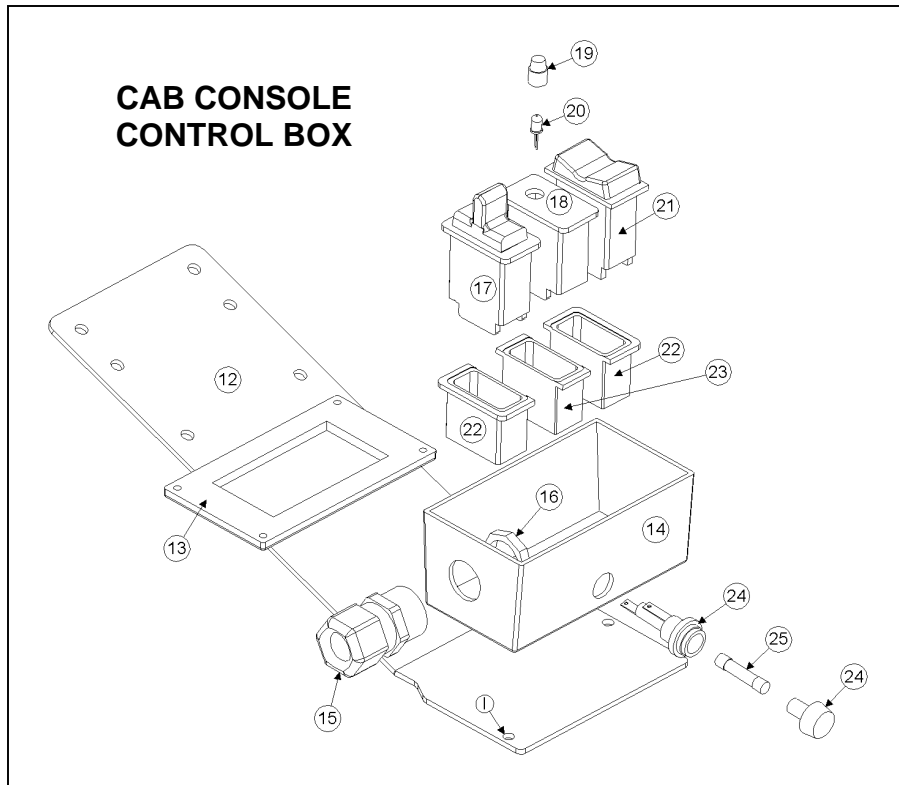
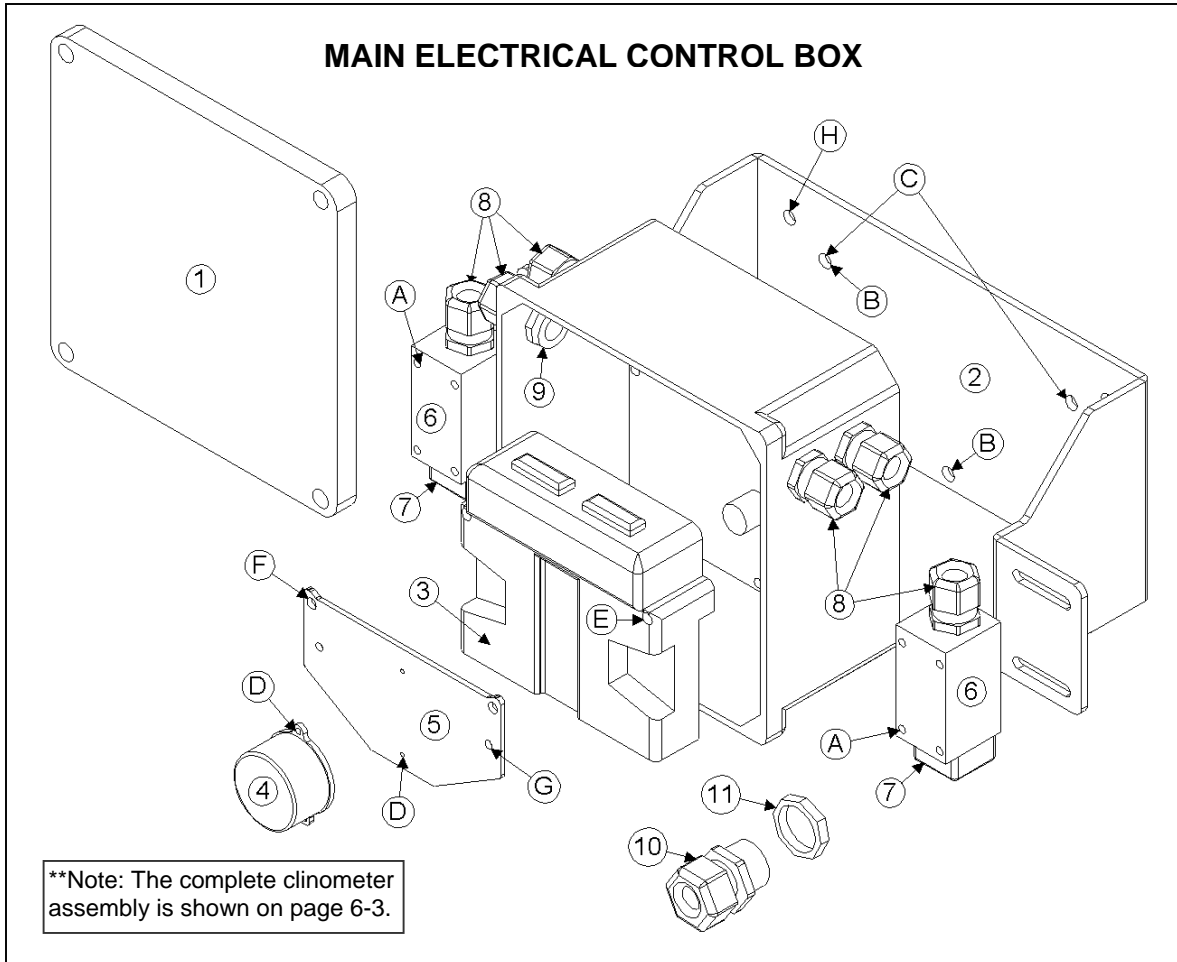
5 LADDER



Model 2810 Hillco Leveling System
For Serial Numbers 2810-1201 thru 2810-1299

| LADDER COMPONENTS | | | | |
|--|-----------------|-------------|-------------------------------|------------------------|
| REF. | PART NO. | QTY. | PART NAME | NOTES |
| 1 | LA-252332 | 1 | LM ASM, LEFT LADDER MNT | |
| 2 | LA-252342 | 1 | LM ASM, RIGHT LADDER MNT | |
| 3 | LM-252262 | 2 | LM PLATE, FOLDING LADDER LINK | |
| 4 | LM-252272 | 2 | LM PLATE, UPPER ARM | |
| 5 | LA-252322 | 1 | LM STEP ASM, FOLDING LADDER | |
| 6 | LA-248861 | 1 | LM ASM, LADDER HANDLE | |
| 7 | MC-134941 | 8 | FLANGED BUSHING | |
| 8 | MC-139251 | 2 | GAS CHARGED LIFT SUPPORT | |
| NS | MC-134931 | 2 | LIFT SUPPORT BRACKETS (PAIR) | |
| 9 | LA-253901 | 1 | LM ASM, LADDER WEDGE | |
| 10 | LA-253961 | 1 | LM ASM, LADDER STOP | |
| 11 | LS-256381 | 1 | LM SPACER, FLASHING LIGHT | |
| 12 | LA-255841 | 1 | LM ASM, LH SIDE STEP SUPPORT | |
| FOR AFX 8010 COMBINES WITH SN PRIOR TO HAJ106401 | | | | |
| 13 | LA-251801 | 1 | LM ASM, RH SIDE STEP SUPPORT | |
| FOR AFX 8010 COMBINES WITH SN HAJ106401 AND AFTER | | | | |
| NS | LA-251802 | 1 | LM ASM, RH SIDE STEP SUPPORT | |
| LADDER FASTENERS | | | | |
| REF. | PART NO. | QTY. | PART NAME | WHERE USED |
| A | F-HC-12M050F | 2 | HC-8.8 M12 X 1.75 X 50 | TOP SIDE PLATE PIVOTS |
| A | F-HNS-12ME | 2 | HN- 10.9 M12 X 1.75 STOVER | PIVOTS |
| B | F-HC-12M030F | 4 | HC-8.8 M12 X 1.75 X 30 | MIDDLE PIVOTS |
| B | F-HNS-12ME | 4 | HN- 10.9 M12 X 1.75 STOVER | PIVOTS |
| C | F-HC-12M065F | 2 | HC-8.8 M12 X 1.75 X 65 | BOTTOM SIDE PLT PIVOTS |
| C | F-HNS-12ME | 2 | HN- 10.9 M12 X 1.75 STOVER | PIVOTS |
| D | F-HC-10M040F | 8 | HC-8.8 M10 X 1.50 X 40 | SIDE PLATE MOUNTS |
| D | F-HNS-10ME | 8 | HN-10.9 M10 X 1.50 STOVER | SIDE PLATE MOUNTS |
| E | F-HNJ-05C | 2 | HN5 5/16-18 JAM NUT | BALL STUD |
| E | F-LW-05 | 4 | LW 5/16 | BALL STUD |
| F | F-HC-08M025F | 2 | HC-8.8 M8 X 1.25 X 25 | HANDLE |
| F | F-HNF-08MF | 2 | FLHN-8.8 M8 X 1.25 | HANDLE |
| G | F-HN5-12C | 1 | HN5 3/4-10 | STOP |
| G | F-LW-12 | 1 | LW 3/4 | STOP |
| H | F-HCF-8M020E | 3 | FLHC-10.9 M8 X 1.25 X 20 | WEDGE |
| H | F-HNF-08ME | 3 | FLHN-10.9 M8 X 1.25 | WEDGE |
| I | F-HC-12M280F | 1 | HC-8.8 M12 X 1.75 X 280 | FLASHING LIGHT BRACKET |
| J | F-HNF-10ME | 2 | FLHN-10.9 M10 X 1.50 | LEFT SIDE STEP SUPPORT |
| J | F-HC-10M040F | 1 | HC-8.8 M10 X 1.50 X 40 | LEFT SIDE STEP SUPPORT |

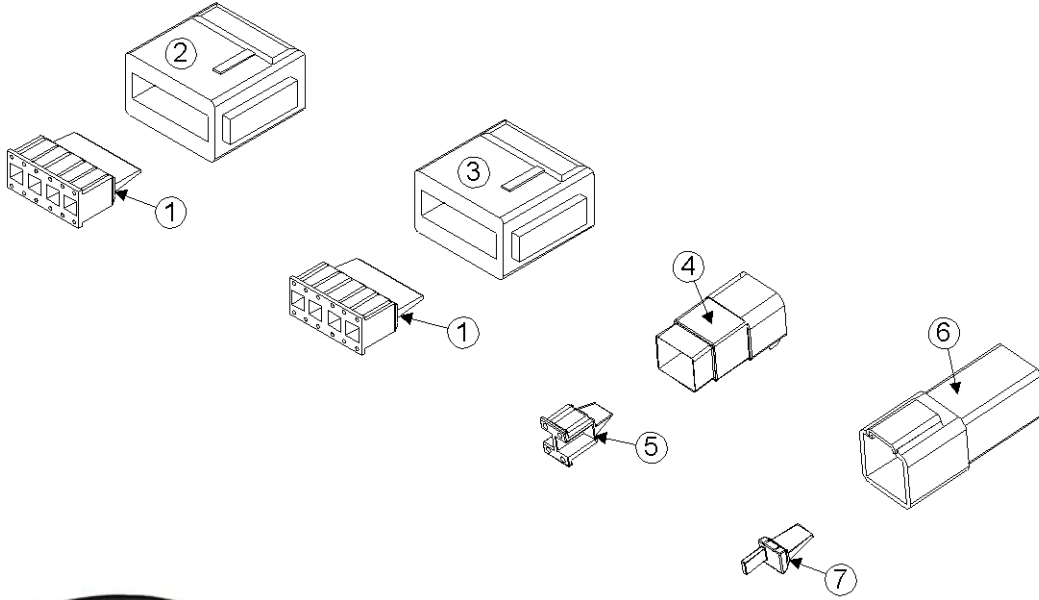
6 ELECTRICAL



Model 2810 Hillco Leveling System
For Serial Numbers 2810-1201 thru 2810-1299

| MAIN ELECTRICAL BOX COMPONENTS | | | | |
|--|---------------|------|------------------------------------|--|
| REF. | PART NO. | QTY. | PART NAME | NOTES |
| ASM | LA-254472 | 1 | EM ASM, CONTROLLER | |
| 1 | LM-255341 | 1 | EM BOX, CONTROLLER MOUNT | |
| 2 | LP-251432 | 1 | EM MOUNT, LEVELING BOX | |
| 3 | EC-141831 | 1 | CONTROLLER | |
| 4 | LA-255821 | 1 | EM ASM, CLINOMETER | SEE NOTE BELOW DIAGRAM |
| 5 | LM-255331 | 1 | EM SHT, CLINOMETER MOUNT | |
| 6 | EC-100557 | 2 | BODY, LIMIT SWITCH | |
| 7 | EC-100692 | 2 | HEAD, LIMIT SWITCH STR PLUNGER | |
| 8 | EC-138781 | 6 | STRAIN RELIEF, NYLON, BLK, 1/2 NPT | |
| 9 | EC-142121 | 4 | STRAIN RELIEF NUT, 1/2" NYLON, BLK | |
| 10 | EC-141891 | 1 | STRAIN RELIEF, NYLON, BLK | BOTTOM OF CAB |
| 11 | EC-141901 | 1 | STRAIN RELIEF NUT, NYLON, BLK | BOTTOM OF CAB |
| ELECTRICAL BOX FASTENERS | | | | |
| REF. | PART NO. | QTY. | PART NAME | WHERE USED |
| A | F-PHM-5M050F | 8 | PHMS M5 X 0.8 X 50 | LIMIT SWITCH MNT |
| A | F-HNF-5MF | 8 | FLHN-8.8 M5 X 0.8 | LIMIT SWITCH MNT |
| B | F-HC5-04C12 | 3 | HC5 1/4-20 X 3/4 | PVC BOX TO BRACKET |
| B | F-LW-04 | 3 | LW 1/4 | PVC BOX TO BRACKET |
| C | F-HCF-08M020E | 4 | FLHC-10.9 M8 X 1.25 X 20 | ELECTRICAL PLATE TO OC |
| C | F-HNF-08ME | 4 | FLHN-10.9 M8 X 1.25 | ELECTRICAL PLATE TO OC |
| D | F-PHM-#6C06 | 2 | PHMS #6-32 X 3/8 | CLINOMETER MOUNT |
| E | F-PHM-04C24 | 2 | PHMS 1/4-20 X 1-1/2 | CONTROLLER TO PVC BOX |
| E | F-HNF-04C | 2 | FLHN 1/4-20 SERR | CONTROLLER TO PVC BOX |
| F | F-PHM-04C36 | 2 | PHMS 1/4-20 X 2-1/4 | GROUNDING PLATE MOUNTING |
| F | F-HNF-04C | 2 | FLHN 1/4-20 SERR | GROUNDING PLATE MOUNTING |
| G | F-PHM-#10C16 | 2 | PHMS 10-24 X 3/4 | GROUNDING PLATE GROUND |
| G | F-HNF-#10C | 2 | HN5 10-24, SERR | GROUNDING PLATE GROUND |
| G | F-HN-#10C | 2 | HN5 10-24 | GROUNDING PLATE GROUND |
| H | F-LWE-05 | 1 | LW 5/16, EXTERNAL STAR | EXTERNAL GROUND WIRE |
| CAB CONSOLE CONTROL BOX COMPONENTS | | | | |
| REF. | PART NO. | QTY. | PART NAME | NOTES |
| ASM | LA-254452 | 1 | EM ASM, CAB CONTROL BOX | |
| FOR AFX 8010 COMBINES WITH SN PRIOR TO HAJ200001 | | | | |
| NS | LM-251641 | 1 | EM MOUNT, CAB CONSOLE | |
| FOR AFX 8010 COMBINES WITH SN HAJ200001 AND AFTER | | | | |
| 12 | LM-263201 | 1 | EM MOUNT, CAB CONSOLE | |
| FOR ALL COMBINES | | | | |
| 13 | LM-252611X | 1 | EM LID, CAB CONTROL BOX | |
| 14 | LM-241122X | 1 | EM, CAB CONTROL BOX | |
| 15 | EC-138791 | 1 | STRAIN RELIEF, NYLON, BLK | |
| 16 | EC-138801 | 1 | STRAIN RELIEF NUT, NYLON, BLK | |
| 17 | LA-259671 | 1 | SWITCH ASM, LEFT-RIGHT | |
| 18 | LM-252621 | 1 | EM MOUNT, MAX LEVEL LAMP | |
| 19 | EC-140761 | 1 | LENSE, YELLOW | |
| 20 | EC-140871 | 1 | LED, WHITE | |
| 21 | LA-259661 | 1 | SWITCH ASM, AUTO-OFF-MANUAL | |
| 22 | EC-140751 | 2 | GANG MOUNT | |
| 23 | EC-140771 | 1 | BEZEL, CENTER | |
| 24 | EC-136211 | 1 | 3AG FUSE HOLDER | |
| 25 | EC-136221 | 1 | AGC-6A FUSE | |
| CAB CONSOLE CONTROL BOX FASTENERS | | | | |
| REF. | PART NO. | QTY. | PART NAME | WHERE USED |
| I | F-PHM-#6C12 | 2 | PHMS 6-32 X 3/4 | CONSOLE BOX TO BRACKET |
| I | F-HNF-#6C | 2 | FLHN 6-32 | CONSOLE BOX TO BRACKET |
| NS | F-PHM-6M020F | 4 | PHMS M6 X 1.0 X 20 | CAB CONSOLE BOX BRACKET TO LARGE MONITOR |
| NS | F-PHM-6M015F | 4 | PHMS M6 X 1.0 X 15 | CAB CONSOLE BOX BRACKET TO SMALL MONITOR |
| NS | F-FW-04 | 4 | FW 1/4 | CAB CONSOLE BOX BRACKET TO MONITOR |

Model 2810 Hillco Leveling System
 For Serial Numbers 2810-1201 thru 2810-1299
ELECTRICAL CONNECTORS AND CABLES



#8 LA-255631
 EM CABLE ASM, LIMIT SWITCH



#9 LA-249102
 EM CABLE ASM, BOX TO VALVE



#11 LA-249062
 EM CABLE ASM, LEVELING CABLE



#10 LA-255821
 EM ASM, CLINOMETER

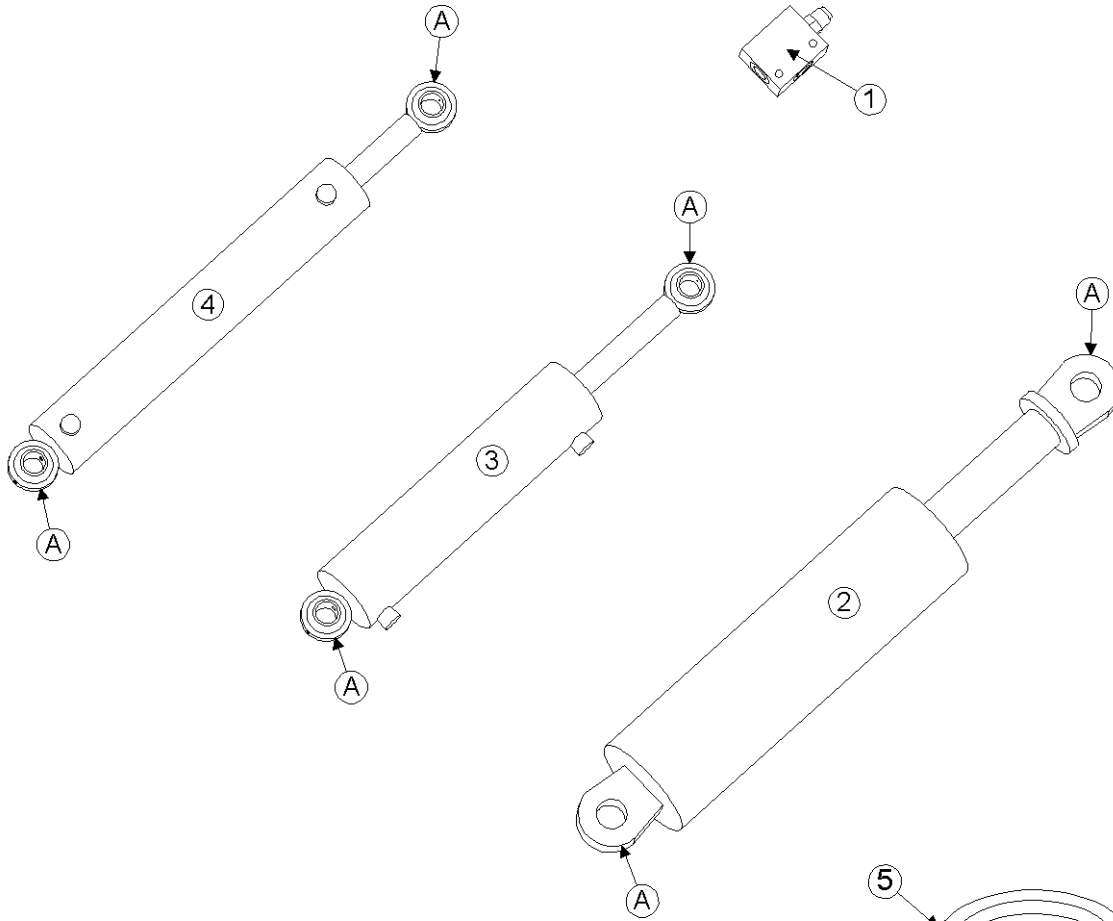


#12 LA-255751
 EM CABLE ASM, CAB BOX TO VALVE

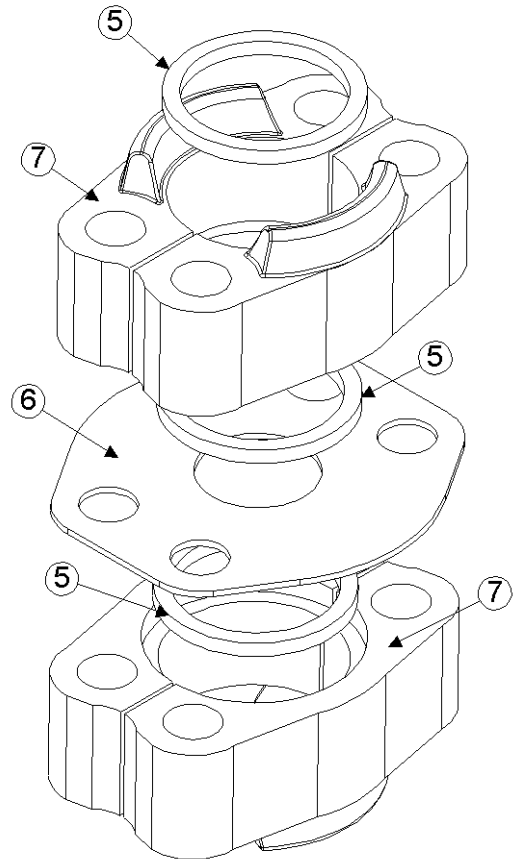
Model 2810 Hillco Leveling System
For Serial Numbers 2810-1201 thru 2810-1299

| ELECTRICAL CONNECTORS | | | | |
|------------------------------|-----------------|-------------|--|--------------|
| REF. | PART NO. | QTY. | PART NAME | NOTES |
| 1 | EC-141741 | 2 | DTM SERIES 12-SOCKET WEDGE | |
| 2 | EC-141751 | 1 | DTM SERIES 12-SOCKET PLUG-GRAY | |
| 3 | EC-141761 | 1 | DTM SERIES 12-SOCKET PLUG-BLACK | |
| 4 | EC-141791 | 1 | DTM SERIES 4-SOCKET PLUG | |
| 5 | EC-141801 | 1 | DTM SERIES 4-SOCKET WEDGE | |
| NS | EC-141771 | 17 | DTM SERIES SOCKET, CONTACT STAMPED | |
| 6 | EC-141811 | 1 | DTM SERIES 4-PIN RECEPTACLE | |
| 7 | EC-141821 | 1 | DTM SERIES 4-PIN WEDGE | |
| NS | EC-141781 | 4 | DTM SERIES PIN, CONTACT STAMPED | |
| NS | ET-ST-20#10 | 6 | TERMINAL, RING, #10, 20 GA., NON-INSULATED | |
| NS | ET-ST-2005 | 1 | TERMINAL, RING, NON-INS, 5/16, 20 GA | |
| NS | EC-140891 | 16 | SPADE, FEMALE, INSULATED, 16-22 GA | |
| NS | EC-139641 | 4 | CONNECTOR, PARALLEL 16-14 GA. | |
| NS | ET-SP-20 | 2 | TERMINAL, FEMALE SPADE, NON-INSUL, 20 GA | |
| NS | EC-100008 | 1 | TERMINAL, RELAY, AUTOMOTIVE | |
| CABLE ASSEMBLIES | | | | |
| REF. | PART NO. | QTY. | PART NAME | NOTES |
| 8 | LA-255631 | 2 | EM CABLE ASM, LIMIT SWITCH | |
| 9 | LA-249102 | 1 | EM CABLE ASM, BOX TO VALVE | |
| 10 | LA-255821 | 1 | EM ASM, CLINOMETER | |
| 11 | LA-249062 | 1 | EM CABLE ASM, LEVELING CABLE | |
| 12 | LA-255751 | 1 | EM CABLE ASM, CAB TO BOX | |

7 HYDRAULICS



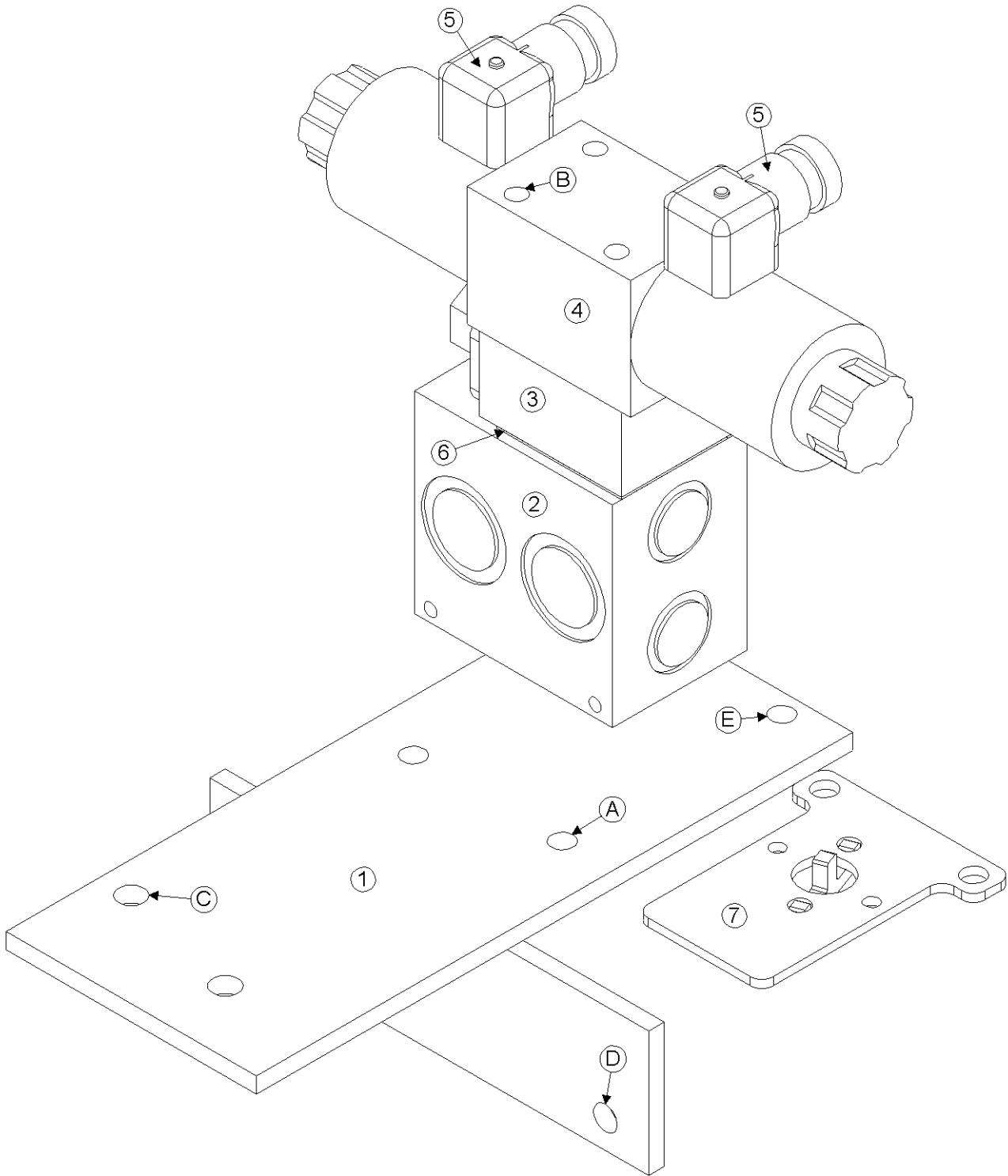
**CODE 62 SPLIT FLANGE
CONNECTOR KIT
ASSEMBLY WITH O-RINGS**



Model 2810 Hillco Leveling System
For Serial Numbers 2810-1201 thru 2810-1299

| COUNTERBALANCE VALVE AND CYLINDERS | | | | |
|---|-----------------|-------------|--|-----------------------|
| REF. | PART NO. | QTY. | PART NAME | NOTES |
| 1 | HC-139151 | 2 | VALVE, 3-PORT COUNTERBALANCE | |
| .. | HC-139181 | 2 | BODY, COUNTERBALANCE VALVE | |
| .. | HC-139161 | 2 | CARTRIDGE, COUNTERBALANCE VALVE | |
| NS | HC-140361 | 2 | SEAL KIT, COUNTERBALANCE VALVE | |
| 2 | HC-102218 | 2 | CYLINDER, MAIN | |
| NS | HC-135221 | 2 | SEAL KIT, MAIN CYLINDER | |
| 3 | HC-101842 | 1 | CYLINDER, MASTER | |
| NS | HC-134201 | 1 | SEAL KIT, MASTER CYLINDER | |
| 4 | HC-100706 | 1 | CYLINDER, SLAVE | |
| NS | HC-134191 | 1 | SEAL KIT, SLAVE CYLINDER | |
| HYDRAULIC FASTENERS | | | | |
| REF. | PART NO. | QTY. | PART NAME | WHERE USED |
| A | F-SSS-04F04 | 6 | SET SCREW, 1/4-28 X 1/4 | ALL CYLINDERS |
| CODE 62 SPLIT FLANGE CONNECTOR KIT | | | | |
| REF. | PART NO. | QTY. | PART NAME | NOTES |
| ASM | LA-254951 | 2 | KIT, HOSE COUPLER, 1-1/4" CODE 62 | |
| 5 | HC-140431 | 6 | O-RING, CODE 62 CONNECTOR (SQUARE) #20 | INCLUDED IN LA-254951 |
| 6 | HC-140441 | 2 | PLATE, CODE 62,#20 | INCLUDED IN LA-254951 |
| 7 | HC-140451 | 4 | CODE 62, #20 SPLIT FLANGE KIT | INCLUDED IN LA-254951 |
| NS | F-HC-12M070E | 8 | HC-10.9 M12 X 1.75 X 70 | INCLUDED IN LA-254951 |
| NS | F-HNS-12ME | 8 | HN-10.9 M12 X 1.75 STOVER | INCLUDED IN LA-254951 |

Model 2810 Hillco Leveling System
For Serial Numbers 2810-1201 thru 2810-1299
HYDRAULIC MANIFOLD



Model 2810 Hillco Leveling System
For Serial Numbers 2810-1201 thru 2810-1299

| MANIFOLD COMPONENTS | | | | |
|----------------------------|-----------------|-------------|---|------------------------------------|
| REF. | PART NO. | QTY. | PART NAME | NOTES |
| 1 | LA-251611 | 1 | HM PLATE, MANIFOLD MOUNT | |
| 2 | HC-138861 | 1 | MANIFOLD, SINGLE STATION | |
| 3 | HC-101264 | 1 | SHUTTLE ASM, LOAD SENSE | |
| .. | HC-101021 | 1 | CARTRIDGE, LOAD SENSE VALVE | |
| .. | HC-101022 | 1 | BODY, LOAD SENSE VALVE | |
| NS | HC-102082 | 1 | SEAL KIT, LOAD SENSE SHUTTLE ASM | |
| 4 | HC-140411 | 1 | VALVE, DIRECTIONAL CONTROL, PROPORTIONAL | |
| NS | LM-250092 | 1 | ORIFICE, .1875, DIRECTIONAL CONTROL VALVE | |
| NS | HC-142731 | 1 | SEAL KIT, DIRECTIONAL CONTROL VALVE | |
| 5 | HC-140291 | 2 | PLUG, DIN, LIGHTED | |
| 6 | HC-142761 | 1 | SUBPLATE | |
| 7 | LA-259951 | 1 | EM ASM, TILT SENSOR MOUNT | |
| MANIFOLD FASTENERS | | | | |
| REF. | PART NO. | QTY. | PART NAME | WHERE USED |
| A | F-HCF-08M020E | 4 | FLHC-10.9 M8 X 1.25 X 20 | SECURES MANIFOLD TO MOUNTING PLATE |
| A | F-HNF-08ME | 4 | FLHN-10.9 M8 X 1.25 | SECURES MANIFOLD TO MOUNTING PLATE |
| B | F-SHC-#10C52 | 4 | SHCS 10-24 X 3-1/4 | MANIFOLD ASM |
| B | F-LW-#10 | 4 | LW #10 | MANIFOLD ASM |
| C | F-HCF-10M025E | 2 | FLHC-10.9 M10 X 1.50 X 25 | MANIFOLD ASM TO COMBINE |
| C | F-HNF-10ME | 2 | FLHN-10.9 M10 X 1.50 | MANIFOLD ASM TO COMBINE |
| D | F-HCF-08M025E | 2 | FLHC-10.9 M8 X 1.25 X 25 | MANIFOLD ASM TO COMBINE |
| D | F-HNF-08ME | 2 | FLHN-10.9 M8 X 1.25 | MANIFOLD ASM TO COMBINE |
| E | F-PHM-4M030F | 2 | PHMS M4 X 0.7 X 30 | LATERAL TILT SENSOR TO MOUNT |
| E | F-HNF-4MF | 2 | FLHN-8.8 M4 X 0.7 | LATERAL TILT SENSOR TO MOUNT |

Model 2810 Hillco Leveling System
For Serial Numbers 2810-1201 thru 2810-1299

HYDRAULIC HOSES

| LEVELING AND TRIM | | | | |
|--------------------------|-----------------|-------------|--|---|
| REF. | PART NO. | QTY. | PART NAME | WHERE USED |
| NS | LA-140521 | 2 | 1/4" 100R2 HOSE 14" #6 FORS 90 X #6 FORS | INNER MAIN ROD TO COUNTERBALANCE VALVE PORT #3 (LEFT & RIGHT) |
| NS | LA-140531 | 1 | 1/2" 100R2 HOSE 104" #8 FORS 90 X #8 FORS STR | LEVELING PORT "A" TO COUNTERBALANCE VALVE PORT #2 RIGHT |
| NS | LA-140541 | 1 | 1/2" 100R2 HOSE 184-1/2" #8 FORS 90 X #8 FORS STR | LEVELING PORT "B" TO COUNTERBALANCE VALVE PORT #2 RIGHT |
| NS | LA-133631 | 2 | 1/2" 100R2 HOSE 82" #8 FORS X #8 FORS | OUTER MAIN ROD TO COUNTERBALANCE VALVE PORT #2 (LEFT & RIGHT) |
| NS | LA-140561 | 1 | 1/4" 100R2 HOSE 116" #6 FORS X #6 FORS | MASTER CYLINDER BASE TO SLAVE CYLINDER BASE |
| NS | LA-140571 | 1 | 1/4" 100R2 HOSE 138" #6 FORS X #6 FORS | MASTER CYLINDER ROD TO SLAVE CYLINDER ROD |
| NS | LA-140581 | 1 | 1/4" 100R2 HOSE 111" #6 FORS X #6 FORS | FIELD TRACKER "HEAD" PORT TO MASTER BASE |
| NS | LA-140591 | 1 | 1/4" 100R2 HOSE 104" #6 FORS X #6 FORS | FIELD TRACKER "ROD" PORT TO MASTER ROD |
| NS | HC-133541 | 2 | ABRASION SLEEVE, NYLON -- 2.19" ID X 32" | HOSES TO TRIM VALVE AND SLAVE CYL |
| NS | LA-140491 | 1 | 1/4" 100R2 HOSE 35-1/2" #6 FORS X #4 FORS | LOAD SENSE LINE |
| NS | LA-140501 | 1 | 5/8" 100R2 HOSE 28" #10 FORS X #10 FORS | LEVELING VALVE PRESSURE HOSE |
| NS | LA-140511 | 1 | 5/8" 100R1 HOSE 26" #10 FORS X #10 FORS | LEVELING VALVE RETURN HOSE |
| GREASE | | | | |
| NS | LA-140662 | 1 | 3/16 R1 GREASE HOSE 47" 1/8 MPT X 1/8 MPT | MAIN PIVOT PIN TO LH BULKHEAD BTM |
| NS | LA-141911 | 1 | 3/16 R1 GREASE HOSE 25" 1/8 MPT X 1/8 MPT | MASTER BASE TO RH BULKHEAD TOP |
| NS | LA-141921 | 1 | 3/16 R1 GREASE HOSE 70" 1/8 MPT X 1/8 MPT | MASTER ROD TO RH BULKHEAD BTM |
| BRAKE HOSES | | | | |
| NS | LA-140602 | 2 | 1/4" TITFLEX HOSE 83" #3 MINV X #3 MINV WITH M10-1.0 X #3 FINV ADAPTER ON EACH END | LEFT & RIGHT BRAKE HOSES |
| HYDRO HOSES | | | | |
| NS | LA-140551 | 2 | 1-1/4" 6000 PSI WP 82" W/ CODE 62 FLANGE STR. X CODE 62 FLANGE 90° | HYDROSTATIC HOSE EXTENSIONS |

Model 2810 Hillco Leveling System
For Serial Numbers 2810-1201 thru 2810-1299

HYDRAULIC ADAPTERS

| LEVELING MANIFOLD | | | | |
|---|-----------------|-------------|---|--|
| REF. | PART NO. | QTY. | PART NAME | WHERE USED |
| NS | HA-M-6MF6FF | 1 | #6 ORS SWIVEL NUT RUN TEE | LOAD SENSE LINE ON COMBINE |
| NS | HA-M-16FF16MF | 2 | #16 ORS SWIVEL NUT RUN TEE | PRESSURE AND TANK LINES ON COMBINE |
| NS | HA-S-16FF10MF | 2 | #16 FORS X # 10 MORS REDUCER W/ NUT | PRESSURE AND TANK LINES ON COMBINE |
| NS | HA-E-10MO | 2 | #10 MORB ALLEN HEAD PLUG ZERO-LEAK | "P" & "T" PORTS |
| NS | HA-L-10MF10MO | 1 | #10 MORS X #10 MORB 90° | "T" PORT |
| NS | HA-S-10MF10MO | 1 | #10 MORS X #10 MORB STR | "P" PORT |
| NS | HA-L-10FF10MF | 1 | #10 FORS X #10 MORS 90° | "P" PORT |
| NS | HA-L-8MF8MO | 1 | #8 MORS X #8 MORB 90° | "A" LEVELING PORT |
| NS | HA-L-8FF8MF | 1 | #8 MORS X #8 FORS 90° | "B" LEVELING PORT |
| NS | HA-S-8MF8MO | 1 | #8 MORS X #8 MORB STR | "B" LEVELING PORT |
| NS | HA-S-4MF4MO | 1 | #4 MORS X #4 MORB STR | LOAD SENSE SHUTTLE |
| CASE FIELD TRACKER VALVE | | | | |
| NS | HA-L-6FF6MF | 2 | #6 FORS X # 6 MORS 90° | FIELD TRACKER VALVE |
| MAIN CYLINDER AND COUNTERBALANCE VALVE | | | | |
| NS | HA-L-8MO8MO | 2 | #8 MORB X #8 MORB 90° | LEFT & RIGHT COUNTERBALANCE VALVE PORT #1 TO MAIN CYL BASE |
| NS | HA-L-8MF8MO | 2 | #8 MORS X #8 MORB 90° | LEFT & RIGHT OUTER MAIN CYLINDER ROD |
| NS | HA-L-6MF8MO | 2 | #6 MORS X #8 MORB 90° | LEFT & RIGHT INNER MAIN CYLINDER ROD |
| NS | HA-T-8MF8MO | 2 | #8 MORS X #8 MORB STR THREAD RUN TEE | LEFT & RIGHT COUNTERBALANCE VALVE PORT #2 |
| NS | HA-L-6MF6MO | 2 | #6 MORS X # 6 MORB 90° | LEFT & RIGHT COUNTERBALANCE VALVE PORT #3 |
| NS | HC-141931 | 2 | ZERK, GREASE 1/4-28 45° | BASE END OF MAIN LEVELING CYLINDERS |
| MASTER AND SLAVE CYLINDERS | | | | |
| NS | HA-Q-6MF6MO | 2 | #6MORS X #6MORB STR THREAD BRANCH TEE | MASTER BASE AND ROD PORTS |
| NS | HA-L-6MF6MO | 1 | #6 MORS X #6 MORB 90° | SLAVE ROD PORT |
| NS | HA-F-6MF6MO | 1 | #6 MORS X #6 MORB 45° | SLAVE BASE PORT |
| NS | HC-135771 | 1 | 1/4-28 MALE X 1/8 FPT 90° | BASE END OF MASTER CYLINDER |
| NS | HC-135881 | 1 | 1/4-28 MALE X 1/8 FPT STR | ROD END OF MASTER CYLINDER |
| GREASE | | | | |
| NS | HA-S-2FP2MN | 3 | 1/8" NPSM X 1/8" FPT BULKHEAD CONNECTOR | GREASE BULKHEAD MOUNT |
| NS | HA-NJ-2FN | 3 | 1/8 NPSM BULKHEAD LOCKNUT | BULKHEAD CONNECTORS |
| NS | HA-L-2FP2MP | 1 | 1/8 MPT 90 STREET EL | MAIN PIVOT PIN |
| NS | HC-138011 | 1 | ZERK, GREASE 1/4-28 STR | MAIN PIVOT PIN |
| NS | HC-141231 | 1 | ZERK, GREASE 1/8 MPT, 45° | DROP AXLE PIVOT PIN |

Model 2810 Hillco Leveling System
 For Serial Numbers 2810-1201 thru 2810-1299

8 MISCELLANEOUS

| DOCUMENTS AND LABELS | | | | |
|---------------------------------|-----------------|-------------|--------------------------------------|--|
| REF. | PART NO. | QTY. | PART NAME | NOTES |
| NS | LA-141951 | 2 | DECAL, CASE HILLSIDE LEVELING SYSTEM | SIDE PANELS ON COMBINE |
| NS | LL20-100782 | 1 | CAUTION LEVELING SYSTEM CAB | WINDOW IN CAB |
| NS | LL20-100783 | 2 | DANGER, CRUSHING HAZARD | FRONT UC LEFT & RIGHT |
| NS | LL20-100783 | 2 | DANGER CRUSHING HAZARD | SIDE OF COMBINE ABOVE REAR TIRES |
| NS | LL-143621 | 2 | DANGER, AVOID CRUSHING INJURY | REAR OF UC NEAR THE SAFETY STOP MNTS |
| NS | LL20-100784 | 2 | DANGER PINCH POINT | RH & LH UPPER TRANS FACE PLT |
| NS | LL20-100785 | 1 | CAUTION MOVING STEP | COMBINE LADDER CHANNEL |
| NS | LL20-100786 | 1 | WARNING, ELECTRONIC CRUSHING HAZARD | FRONT OF CONTROL BOX |
| NS | LL20-100787 | 2 | CAUTION LEVELING SYSTEM HAZARD | CLEAN GRAIN ELEVATOR (RH); SCREEN (LH) |
| NS | LL20-100788 | 3 | DANGER HYDRAULIC HAZARD | 1- EA MAIN CYLINDER |
| NS | LL20-100788 | 1 | DANGER HYDRAULIC HAZARD | ABOVE HYDRAULIC MANIFOLD |
| NS | LL-133741 | 2 | LABEL, GREASE 50 HRS | RH AND LH MAIN LEV CYL BOTTOM |
| NS | LL-133741 | 1 | LABEL, GREASE 50 HRS | BY BASE END OF SLAVE CYLINDER |
| NS | LL-133741 | 2 | LABEL, GREASE 50 HRS | REAR FACE 12" ON BOTH SIDES OF PIVOT PIN |
| NS | LL-133741 | 2 | LABEL, GREASE 50 HRS | RH AND LH BULKHEAD MOUNT |
| NS | LL-141011 | 2 | DECAL, ROCK TRAP WARNING | BY ROCK TRAP HANDLE AND ON SHIELD ABOVE HANDLE |
| NS | LA-255951 | 1 | PLATE, SERIAL NUMBER | LEFT REAR OF UNDERCARRIAGE |
| NS | D-060605ADL01A | 1 | MANUAL, PARTS | |
| MISCELLANEOUS COMPONENTS | | | | |
| REF. | PART NO. | QTY. | PART NAME | NOTES |
| NS | EC-142101 | 2 | CLAMP, HOSE, R/C, 3/8 | BRAKE HOSES |
| NS | HC-143601 | 5 | CLAMP, HOSE 1-1/8" R/C W/ 3/8 HOLE | HEADER TRIM HOSES ON FEEDER HOUSE |

9 PART NUMBER INDEX

| PART NUMBER | PAGE NUMBER | PART NUMBER | PAGE NUMBER | PART NUMBER | PAGE NUMBER |
|----------------|-------------|---------------|---------------|---------------|-------------|
| D-060605ADL01A | 8-1 | F-HC-20M070E | 3-4 | F-LWH-08 | 2-6 |
| EC-100008 | 6-4 | F-HC-20M090E | 3-4 | F-MB-14NR40 | 2-4 |
| EC-100557 | 6-2 | F-HC-20M120 | 3-4 | F-PCL-08X32 | 2-6 |
| EC-100692 | 6-2 | F-HC-20M280E | 3-4 | F-PCL-16X32 | 2-4 |
| EC-136211 | 6-2 | F-HC-22M150E | 2-4 | F-PCT-02X16 | 2-6 |
| EC-136221 | 6-2 | F-HC5-04C12 | 6-2 | F-PCT-03X32 | 2-4 |
| EC-138781 | 6-2 | F-HC-6M090F | 3-4 | F-PHM-#10C16 | 6-2 |
| EC-138791 | 6-2 | F-HC8-08F20 | 2-6 | F-PHM-#6C06 | 6-2 |
| EC-138801 | 6-2 | F-HC-8M025F | 2-4 | F-PHM-#6C12 | 6-2 |
| EC-139641 | 6-4 | F-HC-8M040F | 3-4 | F-PHM-04C24 | 6-2 |
| EC-140751 | 6-2 | F-HCF-08M020E | 3-4, 6-2, 7-4 | F-PHM-04C36 | 6-2 |
| EC-140761 | 6-2 | F-HCF-08M025E | 7-4 | F-PHM-4M030F | 6-2, 7-4 |
| EC-140771 | 6-2 | F-HCF-10M016F | 2-4 | F-PHM-5M050F | 6-2 |
| EC-140871 | 6-2 | F-HCF-10M020E | 2-4, 3-4, 5-2 | F-PHM-6M020F | 6-2 |
| EC-140891 | 6-4 | F-HCF-10M025E | 2-4, 7-4 | F-PHM-6M015F | 6-2 |
| EC-141741 | 6-4 | F-HCF-12M025F | 3-4 | F-PQR-08X32 | 2-4 |
| EC-141751 | 6-4 | F-HCF-12M030E | 3-4 | F-PR-06X40 | 2-6 |
| EC-141761 | 6-4 | F-HCF-12M040E | 2-4 | F-SHC-#10C52 | 7-4 |
| EC-141771 | 6-4 | F-HCF-12M080E | 2-4 | F-SHC-20M090E | 3-4 |
| EC-141781 | 6-4 | F-HCF-8M020E | 5-2 | F-SSS-04F04 | 7-2 |
| EC-141791 | 6-4 | F-HN-#10C | 6-2 | F-SSS-06C08 | 2-6 |
| EC-141801 | 6-4 | F-HN5-12C | 5-2 | F-UDS-#7X06 | 3-4 |
| EC-141811 | 6-4 | F-HNF-#10C | 6-2 | HA-A-10MO | 7-6 |
| EC-141821 | 6-4 | F-HNF-#6C | 6-2 | HA-F-6MF6MO | 7-6 |
| EC-141831 | 6-2 | F-HNF-04C | 6-2 | HA-L-10FF10MF | 7-6 |
| EC-141891 | 6-2 | F-HNF-06MF | 2-4 | HA-L-10MF10MO | 7-6 |
| EC-141901 | 6-2 | F-HNF-06ME | 2-6 | HA-L-2FP2MP | 7-6 |
| EC-142101 | 3-2 | F-HNF-08ME | 3-4, 6-4, 7-4 | HA-L-6FF6MF | 7-6 |
| EC-142121 | 6-2 | F-HNF-08MF | 2-4, 3-4, 5-2 | HA-L-6MF6MO | 7-6 |
| ET-SP-20 | 6-4 | F-HNF-10ME | 2-4, 5-2, 7-4 | HA-L-6MF8MO | 7-6 |
| ET-ST-20#10 | 6-4 | F-HNF-10MF | 2-4 | HA-L-8FF8MF | 7-6 |
| ET-ST-2005 | 6-4 | F-HNF-12C | 2-4 | HA-L-8MF8MO | 7-6 |
| F-CB-10M030F | 2-4 | F-HNF-12ME | 2-4, 5-2 | HA-L-8MO8MO | 7-6 |
| F-CB-12C56 | 2-4 | F-HNF-12MF | 3-4 | HA-M-16FF16MF | 7-6 |
| F-EYB-20M150E | 2-4 | F-HNF-20ME | 2-4 | HA-M-6MF6FF | 7-6 |
| F-FHS-8M016E | 2-4 | F-HNF-4MF | 7-4 | HA-NJ-2FN | 7-6 |
| F-FW-04 | 6-2 | F-HNF-5MF | 6-2 | HA-Q-6MF6MO | 7-6 |
| F-FWH-08 | 2-4 | F-HNF-6MF | 3-4 | HA-S-10MF10MO | 7-6 |
| F-FWH-10 | 2-4 | F-HNF-8MF | 2-4, 3-4 | HA-S-16FF10MF | 7-6 |
| F-HC-06M020F | 2-4 | F-HNJ-05C | 5-2 | HA-S-2FP2MN | 7-6 |
| F-HC-06M020F | 2-6, 3-4 | F-HNJ-12MF | 2-4 | HA-S-4MF4MO | 7-6 |
| F-HC-08M025F | 5-2 | F-HNS-10ME | 5-2 | HA-T-8MF8MO | 7-6 |
| F-HC-10M040F | 5-2 | F-HNS-12ME | 3-4 | HC-100706 | 2-2, 7-2 |
| F-HC-12M030F | 5-2 | F-HNS-12ME | 7-2 | HC-101021 | 7-4 |
| F-HC-12M040E | 3-4 | F-HNS-16ME | 2-4, 3-4 | HC-101022 | 7-4 |
| F-HC-12M050F | 5-2 | F-HNS-20ME | 3-2 | HC-101264 | 7-4 |
| F-HC-12M065F | 5-2 | F-HNSF-12ME | 2-4 | HC-101842 | 3-2, 7-2 |
| F-HC-12M070E | 7-2 | F-LW-#10 | 7-4 | HC-102082 | 7-4 |
| F-HC-12M280F | 5-2 | F-LW-04 | 6-2 | HC-102218 | 3-2, 7-2 |
| F-HC-16M050E | 2-4, 3-4 | F-LW-05 | 5-2 | HC-133541 | 7-5 |
| F-HC-16M110E | 2-4 | F-LW-12 | 5-2 | HC-134191 | 7-2 |
| F-HC-16M120E | 2-4 | F-LWE-05 | 6-2 | HC-134201 | 7-2 |

Model 2810 Hillco Leveling System
 For Serial Numbers 2810-1201 thru 2810-1299

PART NUMBER INDEX (CONTINUED)

| PART NUMBER | PAGE NUMBER | PART NUMBER | PAGE NUMBER | PART NUMBER | PAGE NUMBER |
|-------------|-------------|-------------|-------------|-------------|-------------|
| HC-134221 | 7-2 | LA-251531 | 3-2 | LM-251871 | 3-2 |
| HC-135771 | 7-6 | LA-251611 | 7-4 | LM-251881 | 2-2 |
| HC-135881 | 7-6 | LA-251623 | 2-2 | LM-252611X | 6-2 |
| HC-138011 | 7-6 | LA-251632 | 2-2 | LM-252621 | 6-2 |
| HC-138861 | 7-4 | LA-251801 | 5-2 | LM-253862 | 2-2 |
| HC-139151 | 3-2, 7-2 | LA-251802 | 5-2 | LM-255121 | 2-2 |
| HC-139161 | 7-2 | LA-251831 | 3-2 | LM-255181 | 2-2 |
| HC-139181 | 7-2 | LA-252161 | 4-2 | LM-255191 | 2-2 |
| HC-139451 | 3-2 | LA-253621 | 2-2 | LM-255201 | 2-2 |
| HC-139461 | 3-4 | LA-254452 | 6-2 | LM-255301 | 3-2 |
| HC-140291 | 7-4 | LA-254472 | 6-2 | LM-255331 | 6-2 |
| HC-140361 | 7-2 | LA-254951 | 7-2 | LM-255341 | 6-2 |
| HC-140411 | 7-4 | LA-255141 | 2-2 | LM-259861 | 2-2 |
| HC-140431 | 7-2 | LA-255161 | 2-2 | LM-262031 | 2-2 |
| HC-140441 | 7-2 | LA-255171 | 2-2 | LM-262811X | 2-2 |
| HC-140451 | 7-2 | LA-255631 | 6-4 | LM-262951 | 2-2 |
| HC-140461 | 3-2 | LA-255751 | 6-4 | LM-263091 | 2-2 |
| HC-140641 | 3-2 | LA-255821 | 6-2, 6-4 | LP-249321 | 3-2 |
| HC-140651 | 3-2 | LA-255951 | 3-2, 8-1 | LP-249871 | 2-2 |
| HC-141231 | 7-6 | LA-259661 | 6-2 | LP-251071 | 3-2 |
| HC-141931 | 7-6 | LA-259671 | 6-2 | LP-251432 | 6-2 |
| HC-142731 | 7-4 | LA-259821 | 2-2, 2-6 | LP-251461 | 3-2 |
| HC-142761 | 7-4 | LA-259881 | 2-2 | LP-251551 | 3-2 |
| HC-143601 | 8-1 | LA-259951 | 7-4 | LP-251781 | 2-2 |
| LA-133631 | 7-5 | LA-262981 | 2-2 | LP-253851 | 2-2 |
| LA-140491 | 7-5 | LA-263061 | 2-2 | LP-262041 | 2-2 |
| LA-140501 | 7-5 | LA-263071 | 2-2 | LP-263211 | 4-2 |
| LA-140511 | 7-5 | LL-133741 | 8-1 | LP-263221 | 4-2 |
| LA-140521 | 7-5 | LL-141011 | 8-1 | LS-212701 | 2-2 |
| LA-140531 | 7-5 | LL20-100782 | 8-1 | LTP-241721 | 2-2 |
| LA-140541 | 7-5 | LL20-100783 | 8-1 | MC-100237 | 2-2 |
| LA-140551 | 7-5 | LL20-100784 | 8-1 | MC-100548 | 2-2 |
| LA-140561 | 7-5 | LL20-100785 | 8-1 | MC-101339 | 2-2 |
| LA-140571 | 7-5 | LL20-100786 | 8-1 | MC-101838 | 2-2 |
| LA-140581 | 7-5 | LL20-100787 | 8-1 | MC-135491 | 2-2 |
| LA-140591 | 7-5 | LL20-100788 | 8-1 | MC-135511 | 2-2 |
| LA-140602 | 7-5 | LM-212701 | 2-2 | MC-136151 | 2-2 |
| LA-140662 | 7-5 | LM-213243 | 2-2 | MC-137251 | 3-2 |
| LA-141911 | 7-5 | LM-219801 | 2-2 | MC-137501 | 3-2 |
| LA-141921 | 7-5 | LM-226532 | 2-2, 2-6 | MC-138641 | 3-2 |
| LA-141951 | 8-1 | LM-226841 | 2-2 | MC-138651 | 3-2 |
| LA-229071 | 2-2, 3-2 | LM-263201 | 6-2 | MC-139361 | 2-2 |
| LA-230551 | 3-2 | LM-241122X | 6-2 | MC-139371 | 2-2 |
| LA-243691 | 2-2 | LM-244471 | 2-2, 2-6 | MC-140791 | 4-2 |
| LA-247481 | 3-2 | LM-250092 | 7-4 | MC-141961 | 3-4 |
| LA-249062 | 6-4 | LM-250641 | 2-2 | MC-141971 | 3-4 |
| LA-249102 | 6-4 | LM-251002 | 2-2 | MC-141981 | 3-4 |
| LA-251322 | 2-2 | LM-251641 | 6-2 | MC-142871 | 2-2 |
| LA-251471 | 3-2 | LM-251771 | 2-2 | MC-142881 | 2-2 |
| LA-251481 | 3-2 | LM-251791 | 2-2 | MC-143121 | 2-6 |
| LA-251491 | 3-2 | LM-251861 | 3-2 | MC-143921 | 2-6 |
| LA-251512 | 2-2 | | | | |