

Model 2800
Hillside Leveling System
Parts Manual
SN 2800-1201 thru 2800-1299
D-070205ADL01A





2800 Leveling System
for 2188, 2377, 2388, 2577 & 2588
CASE-IH Combines

TABLE OF CONTENTS

1 GENERAL INFORMATION	1-3
Serial Number Location	1-3
Text Format and Illustrations	1-3
Abbreviations.....	1-3
Right and Left Identification	1-3
Parts Orders	1-3
2 TRANSITION	2-1
Radial Pin Slip Clutch and Header Lift Cylinder Extensions	2-3
Transition Fasteners.....	2-5
3 CARRIAGE	3-1
Carriage Fasteners.....	3-3
4 Y-BRACE	4-1
5 DROP AXLE	5-1
6 LADDER	6-1
7 ELECTRICAL	7-1
Electrical Connectors	7-3
Electrical Cables.....	7-5
8 HYDRAULICS	8-1
Hydraulic Manifold.....	8-3
Hydraulic Hoses	8-5
Hydraulic Hoses (Continued).....	8-6
Hydraulic Adapters	8-7
Hydraulic Adapters (Continued)	8-8
9 MISCELLANEOUS	9-1
10 PART NUMBER INDEX	10-1
Part Number Index (Continued).....	10-2

Model 2800 Hillco Leveling System
For Serial Numbers 2800-1201 thru 2800-1299

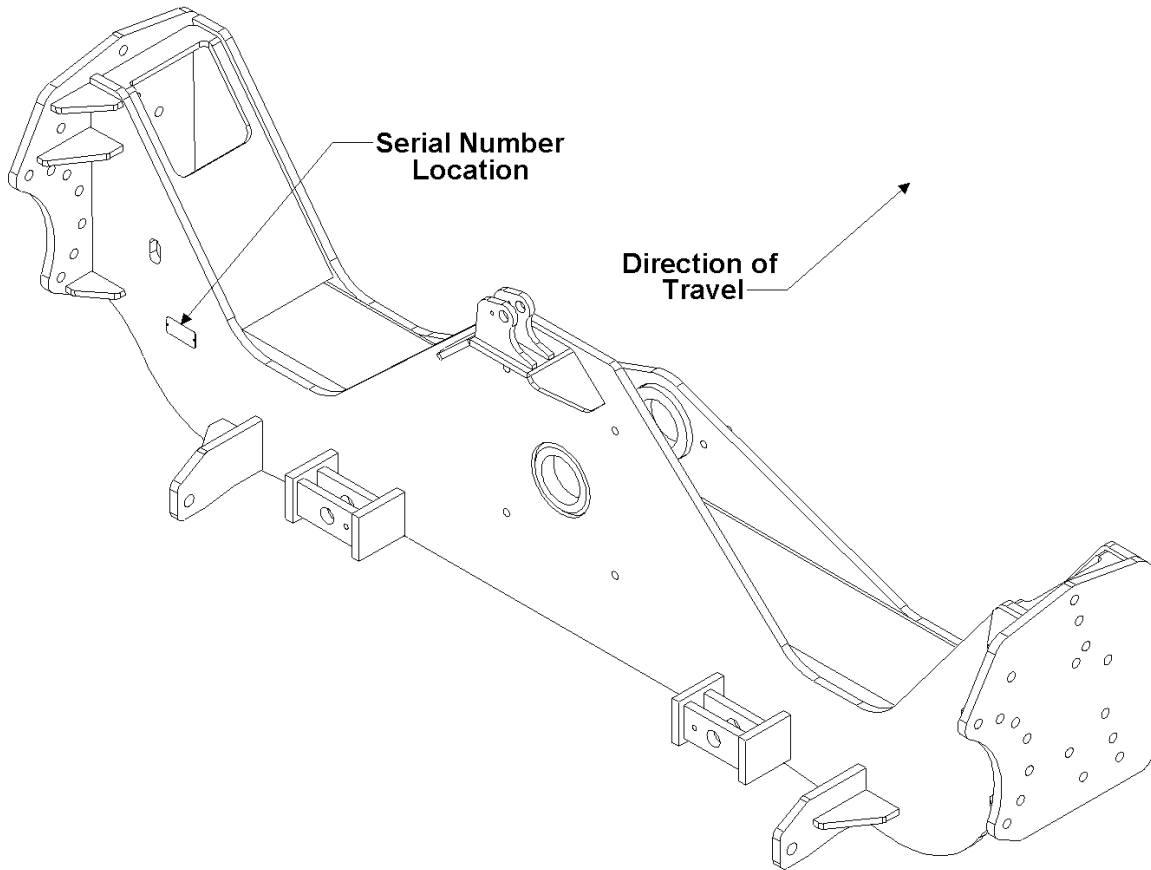
Hillco Technologies, Inc.
107 1st Avenue
Nezperce Id. 83543

Fax	208.937.2280
Phone	208.937.2461
Toll Free	800.937.2461

www.hillcotechnologies.com

1 **GENERAL INFORMATION**

SERIAL NUMBER LOCATION



TEXT FORMAT AND ILLUSTRATIONS

The arrangement of this parts catalog is for easy identification of parts. All parts are illustrated in exploded views in proper relation to each other. Some diagrams refer to other pages for further information. Reference numbers used in the illustrations refer to line numbers in the part lists. The part lists appear to the right of all diagrams and correspond with those diagrams. Included in the part lists, along with the reference numbers are part numbers, part descriptions and the quantity of the part required per leveling system.

ABBREVIATIONS

SN "Serial Number" refers to the serial number given to each leveling system (by Hillco Technologies), as well as the serial number given to the combine (by the specific combine manufacturer) the leveling system is installed upon. This abbreviation is used interchangeably in both instances. Each model 2800 Leveling System uses the following serial number format: 2800-XXXX (sequential numbers).

ASM "Assembly" refers to a whole grouping of parts (usually shown in the diagram corresponding with the page where "ASM" is shown unless otherwise noted). Some assemblies have parts that are sold separately, however some must be purchased as a single unit. Hillco Product Specialists will be able to assist you with any questions.

NS "Not Shown" refers to a part that is not depicted in the illustration.

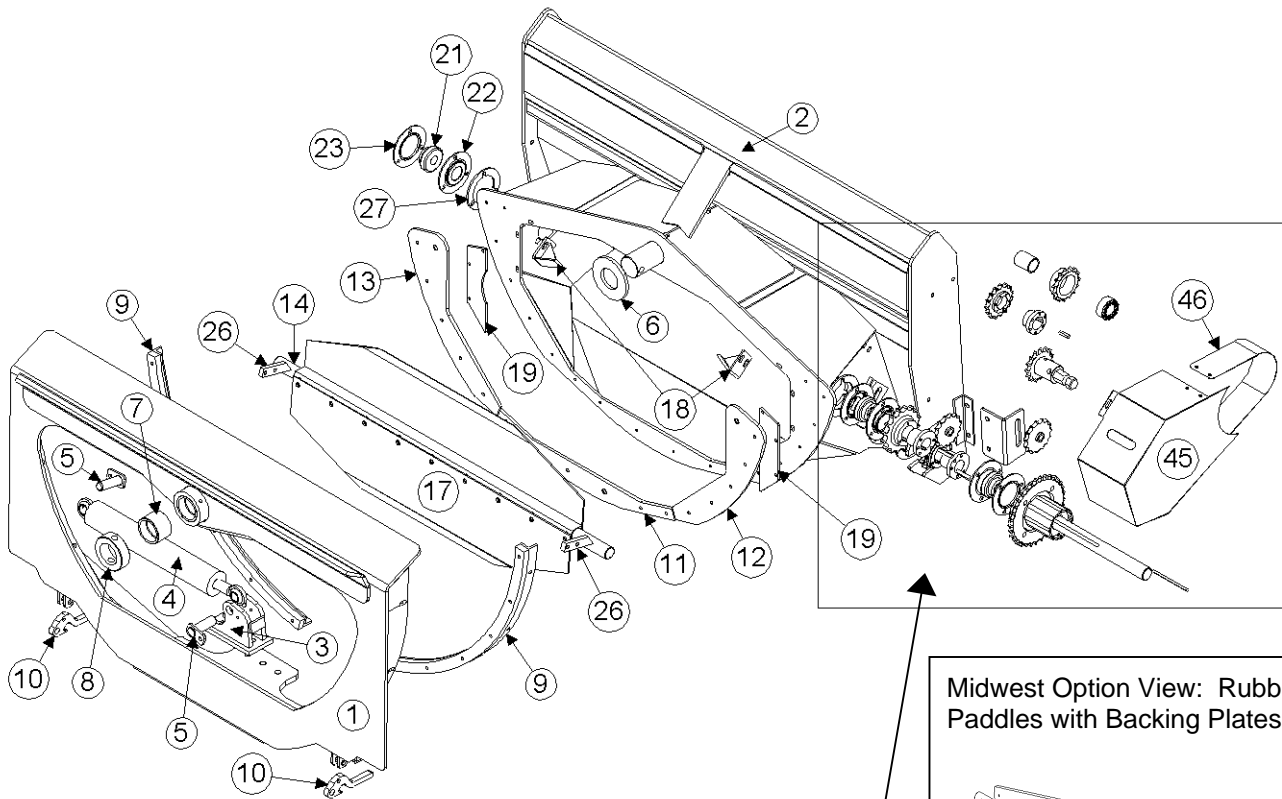
RIGHT AND LEFT IDENTIFICATION

The reference to right-hand and left-hand in this catalog is identified by the operator sitting in the operator's seat, looking toward the front of the machine (in normal forward travel).

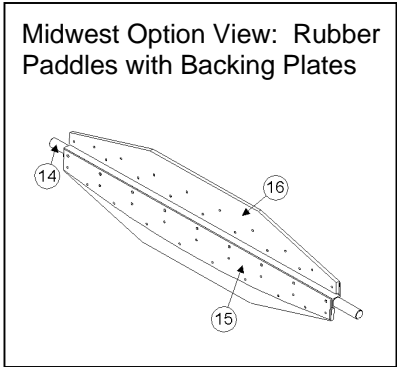
PARTS ORDERS

Orders must specify product model, serial number, correct part number, complete description, quantity required, method of shipment, shipping address, and billing address.

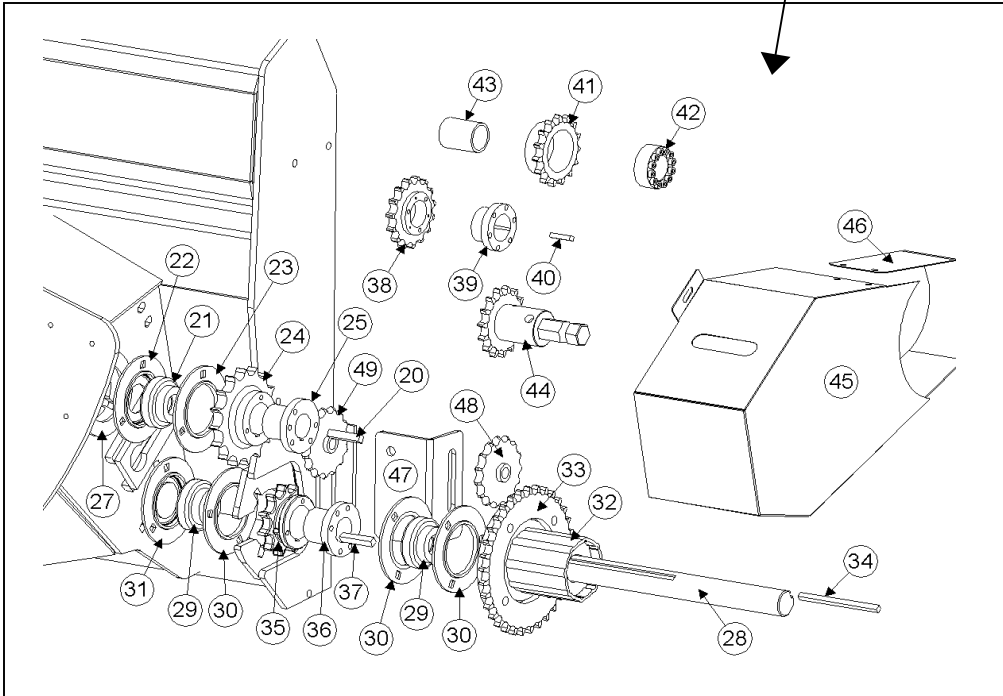
2 TRANSITION



SEE PAGE 2-5 FOR
TRANSITION FASTENERS



TRANSITION DRIVE COMPONENT DETAIL

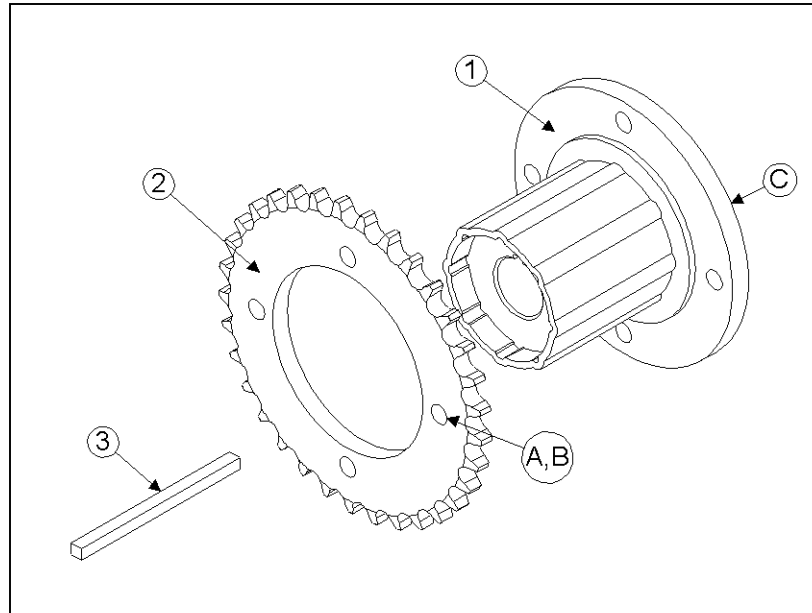


Model 2800 Hillco Leveling System
For Serial Numbers 2800-1201 thru 2800-1299

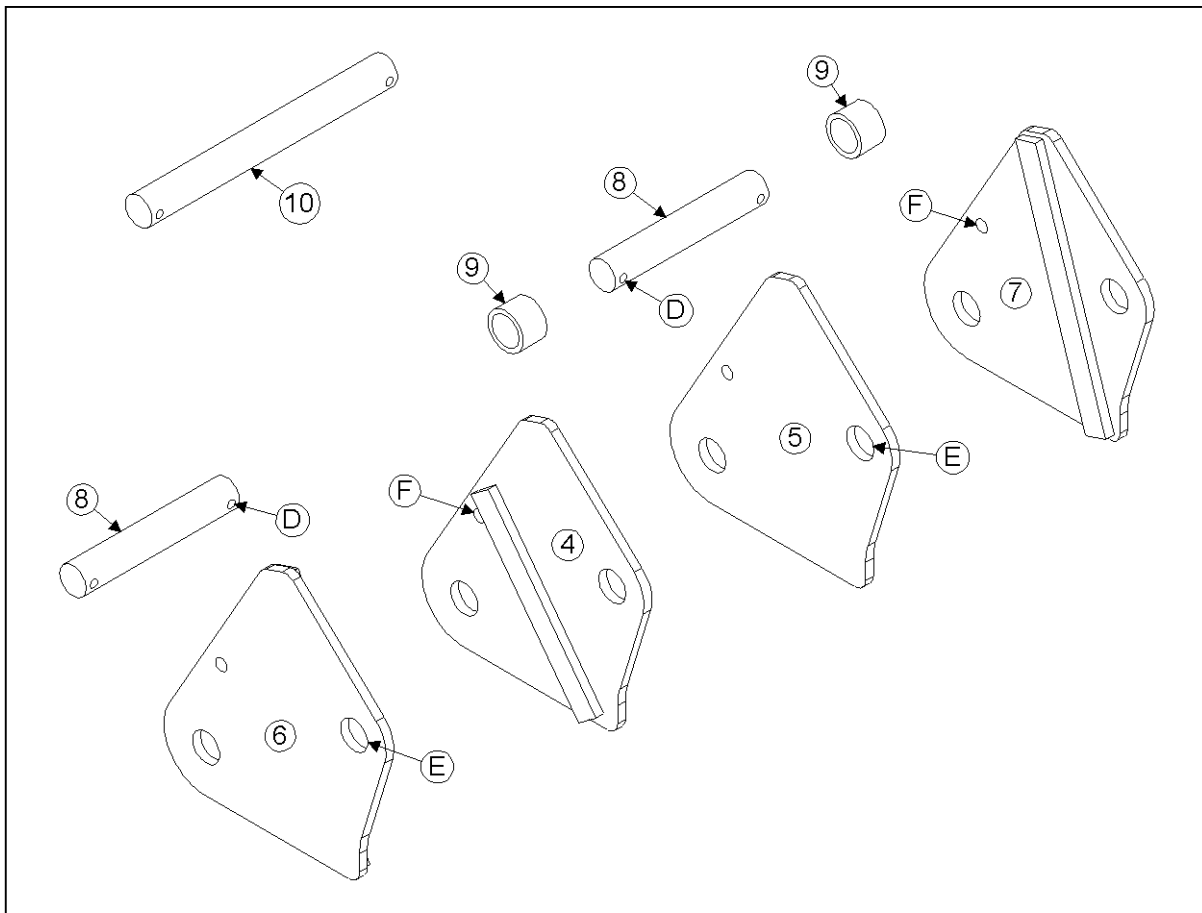
TRANSITION				
REF.	PART NO.	QTY.	PART NAME	NOTES
1	LA-227101	1	TA ADAPTER ASM	
2	LA-226852	1	TT THROAT ASM	
3	LA-225411	1	TM MOUNT ASM, ROD	
4	HC-100706	1	CYLINDER, SLAVE	SEE HYDRAULIC PAGE 8-2
NS	HC-134191	1	SEAL KIT, SLAVE CYLINDER	
5	LA-229071	2	TM PIN ASM, TRIM CYLINDER	
6	LP-218371	1	TM RING, WEAR	
7	LM-226831	1	TM BUSHING, PIVOT	
8	LM-226841	1	TM COLLAR, PIVOT	
9	LA-243711	2	ANGLE, BACKING ASM 26-2800	
..	LM-225311	1	TM, ANGLE BACKING	NOT SOLD SEPARATELY
..	LS-225321	1	TM PAD, BACKING ANGLE WEAR	NOT SOLD SEPARATELY
..	F-FHS-05F20	8	FHSC 5/16-24 X 1-1/4	NOT SOLD SEPARATELY
..	F-HNS-05F	8	HN 5/16-24 STOVER	NOT SOLD SEPARATELY
10	LM-213291	2	TM ARM, HEADER LOCK	
11	LM-225522	1	TM PLATE, WEAR BOTTOM	
12	LM-225531	1	TM PLATE, WEAR LH	
13	LM-225541	1	TM PLATE, WEAR RH	
BEATER SHAFT				
14	LM-221603	1	TB SHAFT	
15	LM-213202	2	TB PLATE, PADDLE BACKING	MIDWEST COMBINES ONLY
16	LP-104791	2	TB PADDLE, RUBBER	MIDWEST COMBINES ONLY
17	LM-238091	2	TB PADDLE, METAL	NORTHWEST COMBINES ONLY
18	LA-259781	2	TM ASM, ANTI-WRAP	NORTHWEST COMBINES ONLY - OPTIONAL
19	LM-254521	2	TM PLT, NARROWING	NORTHWEST COMBINES ONLY - OPTIONAL
20	LS-212701	1	TM KEY, BEATER DRIVE	
21	MC-100548	2	INSERT, BEARING, 1-7/16	
22	LA-243691	2	TM ASM, INNER FLANGETTE	
23	MC-101339	1	FLANGETTES, RND BEARING (PAIR)	
24	MC-135501	1	SPROCKET, 80P, 16T TAPER BORE	
25	MC-135511	1	HUB, SPLIT TAPER 1-7/16	
26	LM-262811	2	TM STRIPPER, BEATER SHAFT	
27	LP-263111	2	TM SPACER, BEATER BEARING	
NS	LP-213242	1	TM CHAIN, 30 PIN 80P	
NS	MC-139341	1	LINK, CONNECTING, 80P	
NS	MC-139351	1	LINK, OFFSET, 80P	
TRANSITION THROAT JACK SHAFT				
28	LM-234152	1	TT SHAFT, JACK	
29	MC-100548	2	INSERT, BEARING, 1-7/16	
30	MC-101339	1.5	FLANGETTES, RND BEARING (PAIR)	
31	LA-245191	1	TM ASM, JS INNER FLANGETTE	
32	MC-136921	1	RADIAL PIN SLIP CLUTCH	SEE PAGE 2-3 FOR DETAIL
33	LM-226532	1	TM SPROCKET, RADIAL SLIP CLUTCH	
34	LS-244471	1	TM KEY, RADIAL SLIP CLUTCH	
35	MC-135491	1	SPROCKET, 80P, 11T TAPER BORE	
36	MC-135511	1	HUB, SPLIT TAPER 1-7/16	
37	LS-212701	1	TM KEY, BEATER DRIVE	
NS	LP-213252	1	TM CHAIN, 62 PIN 60P	
NS	MC-139361	1	LINK, CONNECTING, 60P	
NS	MC-139371	1	LINK, OFFSET, 60P	
FEEDER HOUSE BEATER DRIVE				
38	MC-100760	1	SPROCKET, QD, 60P, 15T	BEFORE SN JJCO193725
39	MC-100762	1	HUB, QD, 1-1/2B	BEFORE SN JJCO193725
40	LS-234221	1	TM KEY, FEEDER SHAFT	BEFORE SN JJCO193725
41	MC-101839	1	SPROCKET, POWER LOCK, 60P, 15T	SN JJCO193725 THRU JJCO268799
42	MC-101838	1	HUB, POWER LOCK, 1-3/8B	SN JJCO193725 THRU JJCO268799
43	LS-207011	1	TM SPACER, DRIVE SPROCKET	BEFORE SN JJCO268800
44	LA-234251	1	TM DRIVE ASM, TRANSITION	SN JJCO268800 AND AFTER
45	LM-243821	1	TM SHIELD, BEATER DRIVE	SN JJCO117059 AND AFTER
NS	LM-243841	1	TM SKIRT, BEATER DRIVE SHIELD	BEFORE SN JJCO268800
46	LM-243831	1	TM SKIRT, BEATER DRIVE SHIELD	SN JJCO268800 AND AFTER
NS	LM-243801	1	TM BRACKET, 60P IDLER	BEFORE SN JJCO268800
47	LM-243792	1	TM BRACKET, 60P IDLER	SN JJCO268800 AND AFTER
TENSIONER				
48	MC-100237	1	SPROCKET, IDLER, 60P, 15T, 5/8B	SN JJCO193725 THRU CURRENT
49	MC-137441	1	SPROCKET, IDLER, 80P, 12T, 3/4B	

RADIAL PIN SLIP CLUTCH AND HEADER LIFT CYLINDER EXTENSIONS

RADIAL PIN SLIP CLUTCH DETAIL



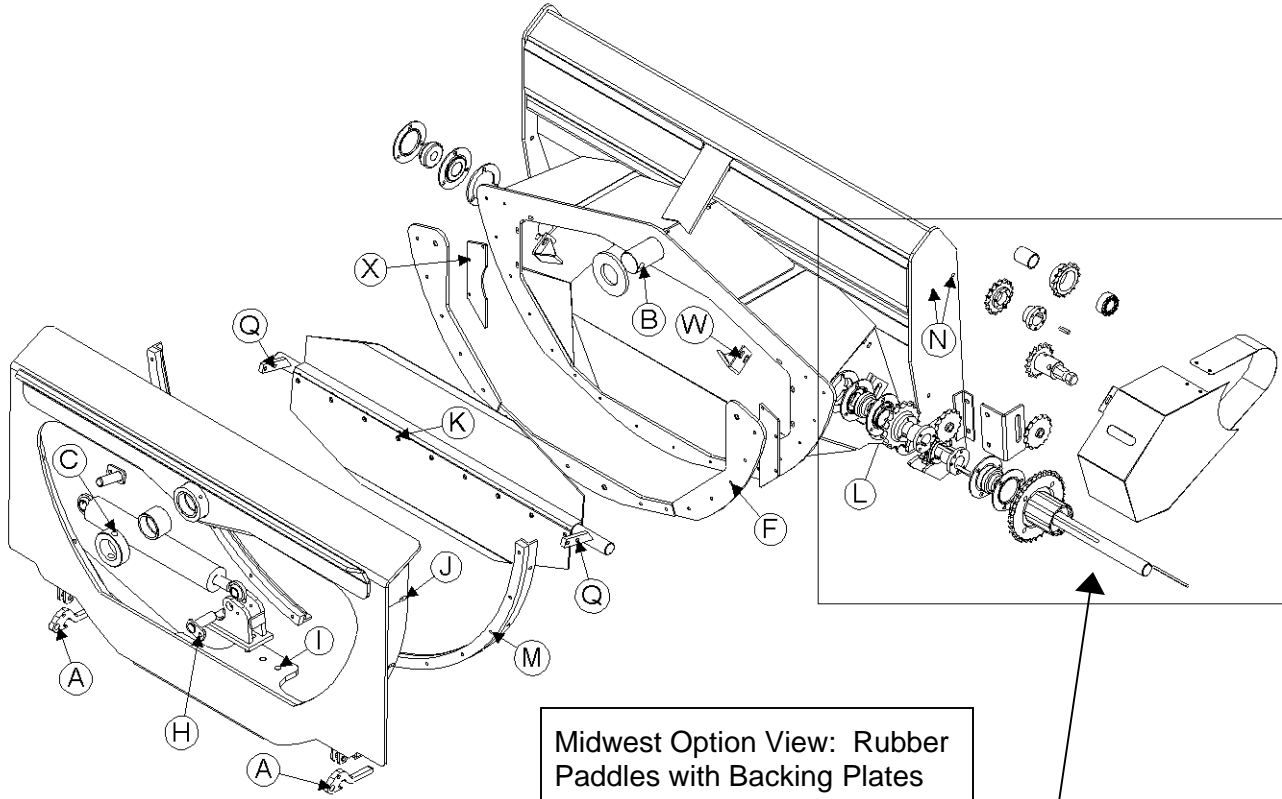
HEADER LIFT CYLINDER EXTENSION DETAIL



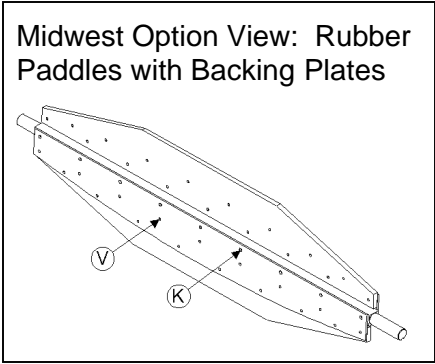
Model 2800 Hillco Leveling System
For Serial Numbers 2800-1201 thru 2800-1299

RADIAL PIN SLIP CLUTCH				
REF.	PART NO.	QTY.	PART NAME	NOTES
1	MC-136921	1	RADIAL PIN SLIP CLUTCH	
2	LM-226532	1	TM SPROCKET, RADIAL SLIP CLUTCH	
3	LS-244471	1	TM KEY, RADIAL PIN SLIP CLUTCH	
RADIAL PIN SLIP CLUTCH FASTENERS				
REF.	PART NO.	QTY.	PART NAME	WHERE USED
A	F-HC8-08F20	4	HC8 1/2-20 X 1-1/4	
B	F-LWH-08	4	LW 1/2 HD	
C	F-SSS-06C08	2	SCREW, SOCKET SET 3/8-16 X 1/2	
HEADER LIFT CYLINDER EXTENSIONS				
60 IN. FEEDER HOUSE (NEVER HAS ROCK TRAP)				
4	LA-220631	↓	LM EXTENSION ASM, LIFT CYLINDER INNER LH	
4		1	WITH 2 HEADER LIFT CYLINDERS	
NS		2	WITH 3 HEADER LIFT CYLINDERS	
5	LA-220661	↓	LM EXTENSION ASM, LIFT CYLINDER INNER RH	
6	LA-220641	1	LM EXTENSION ASM, LIFT CYLINDER OUTER LH	
7	LA-220651	1	LM EXTENSION ASM, LIFT CYLINDER OUTER RH	
8	LM-218501	2	LM PIN, HEADER LIFT CYLINDER ROD MOUNT	
9	LS-226961	↓	LM SPACER, HEADER LIFT CYLINDER	
9		2	WITH 2 HEADER LIFT CYLINDERS	
NS		4	WITH 3 HEADER LIFT CYLINDERS	
54 IN. FEEDER HOUSE WITHOUT ROCK TRAP				
NS	LA-240111	2	LM ASM, LEFT LIFT CYL EXT	
NS	LA-240121	↓	LM ASM, RIGHT LIFT CYL EXT	
NS		2	WITH 2 HEADER LIFT CYLINDERS	
NS		3	WITH 3 HEADER LIFT CYLINDERS	
8	LM-218501	2	LM PIN, HEADER LIFT CYLINDER ROD MOUNT	
9	LS-226961	↓	LM SPACER, HEADER LIFT CYLINDER	
9		2	WITH 2 HEADER LIFT CYLINDERS	
NS		4	WITH 3 HEADER LIFT CYLINDERS	
54 IN. FEEDER HOUSE WITHOUT ROCK TRAP AND 3RD HEADER LIFT CYLINDER				
10	LM-235481	1	LM PIN, 3RD HEADER LIFT CYL ROD MNT	
54.5 IN. & 60 IN. FEEDER SPOUTS WITHOUT ROCK TRAP FASTENERS				
D	F-PCT-05X48	4	COTTER PIN 5/16 X 3	
E	F-HC8-20C40	↓	HC8 1-1/4-7 X 2-1/2 ZINC	
E		4	WITH 2 HEADER LIFT CYLINDERS	
NS		5	WITH 3 HEADER LIFT CYLINDERS	
E	F-HNS-20C	↓	HN8 1-1/4-7 STV	
E		4	WITH 2 HEADER LIFT CYLINDERS	
NS		5	WITH 3 HEADER LIFT CYLINDERS	
F	F-HC5-08C104	↓	HC5 1/2-13 X 6-1/2	
F		2	WITH 2 HEADER LIFT CYLINDERS	
NS		1	WITH 3 HEADER LIFT CYLINDERS	
F	F-HNS-08C	2	HN 1/2-13, STV	
NS	F-HC5-08C176	↓	HC5 1/2-13 X 11	
NS		1	WITH 3 HEADER LIFT CYLINDERS	
COMBINES WITH ROCK TRAP				
NS	LS-257951	2	LM SPACER, HEADER LIFT CYLINDER	SN JCO117059 AND AFTER

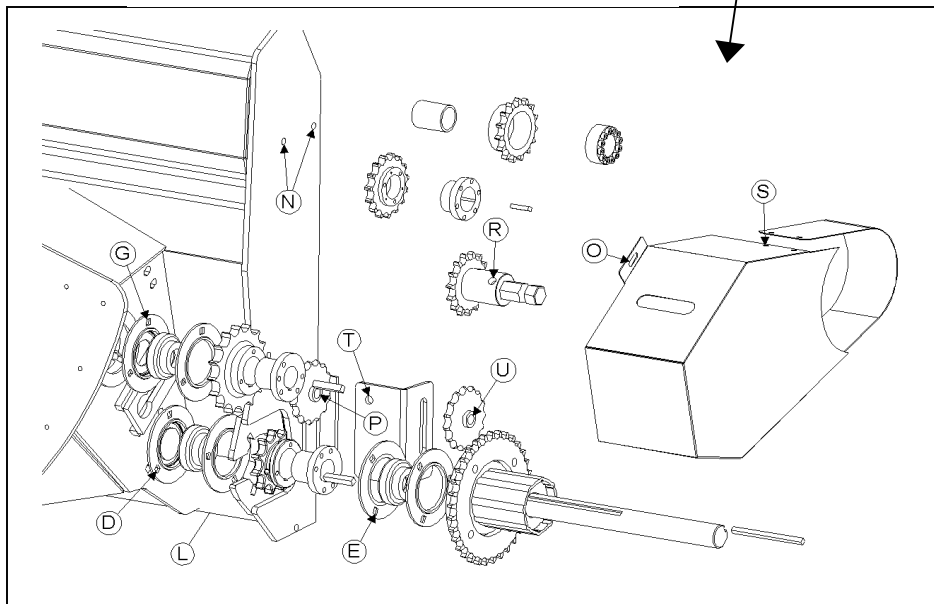
TRANSITION FASTENERS



*Note: The fasteners with reference number "L" attach to the bottom of the Transition for mounting purposes, however they cannot be seen in this view. The leader is pointing to the general area.



Drive Component Fasteners Detail



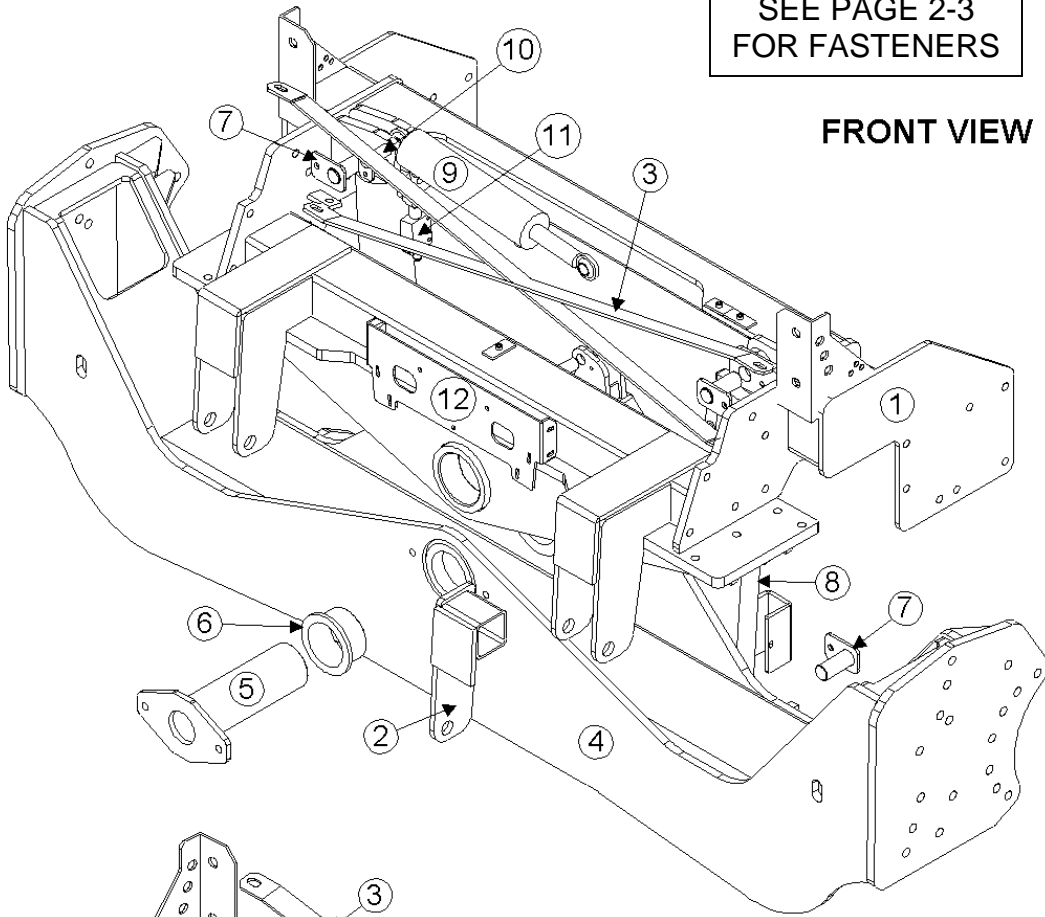
Model 2800 Hillco Leveling System
For Serial Numbers 2800-1201 thru 2800-1299

TRANSITION FASTENERS				
REF.	PART NO.	QTY.	PART NAME	WHERE USED
A	F-PCL-10X24	2	PIN, CLEVIS, 5/8 X 1-1/2	HEADER LOCK ARM
A	F-PCT-02X16	2	PIN, COTTER, 1/8 X 1	HEADER LOCK ARM
B	F-MB-14NR40	3	BUSHING, MACH 14 GA, NR, 2-1/2 ID	TT PIVOT PIN
C	F-HC8-10C80	1	HC8 5/8-11 X 5	TT PIVOT PIN COLLAR
C	F-HNS-10C	1	HN8 5/8-11, STV	TT PIVOT PIN COLLAR
D	F-CB-06C20	3	BOLT, CARRIAGE, 3/8-16 X 1-1/4	INNER JACKSHAFT BEARING
D	F-HN5-06C	3	HN5 3/8-16	INNER JACKSHAFT BEARING
D	F-LW-06	3	LW 3/8	INNER JACKSHAFT BEARING
E	F-CB-06C20	3	BOLT, CARRIAGE, 3/8-16 X 1-1/4	OUTER JACKSHAFT BEARING
E	F-HN5-06C	3	HN5 3/8-16	OUTER JACKSHAFT BEARING
E	F-LW-06	3	LW 3/8	OUTER JACKSHAFT BEARING
F	F-FHS-05F10	18	FHSC 5/16-24 X 5/8	UHMW WEAR PADS TO FACE PLATE
G	F-LW-06	6	LW 3/8	TT BEATER BRNG
G	F-CB-06C20	6	BOLT, CARRIAGE, 3/8-16 X 1-1/4	TT BEATER BRNG
G	F-HN5-06C	6	HN5 3/8-16	TT BEATER BRNG
H	F-HC5-06C12	2	HC5 3/8-16 X 3/4	SLAVE CYL MNT PIN
H	F-LW-06	2	LW 3/8	SLAVE CYL MNT PIN
I	F-HC8-10C32	3	HC8 5/8-11 X 2	ROD MNT
I	F-HNS-10C	3	HN8 5/8-11, STOVER	ROD MNT
J	F-HC5-06C20	8	HC5 3/8-16 X 1-1/4	BACKING ANGLE
J	F-HNS-06C	8	HN5 3/8-16, STOVER	BACKING ANGLE
J	F-FWH-06	8	FW 3/8 HD	BACKING ANGLE
K	F-HC8-08C44	9	HC8 1/2 -13 X 2-3/4	BEATER BACKING PLT MNT OR STEEL PADDLES
K	F-HNSF-08C	9	HN8 1/2-13, STOVER	BEATER BACKING PLT MNT OR STEEL PADDLES
L	F-HC5-08C32	2	HC5 1/2-13 X 2	TRANSITION MNT
L	F-HN5-08C	2	HN5 1/2-13	TRANSITION MNT
L	F-LW-08	2	LW 1/2	TRANSITION MNT
M	F-FHS-05F20	16	FHSC 5/16-24 X 1-1/4	UHMW BACKING WEAR PAD
M	F-HNS-05F	16	HN 5/16-24, STOVER	UHMW BACKING WEAR PAD
N	F-THM-06C16	2	THMS 3/8-16 X 1	HEADER HYDRAULIC COUPLER MOUNT
N	F-HNF-06C	2	HN 3/8-16, SERR	HEADER HYDRAULIC COUPLER MOUNT
O	F-THMS-05C16	2	THMS 5/16-18 X 1, SLT SERR	BEATER DRIVE SHIELD
O	F-HNF-05C	2	HN 5/16-18, SERR	BEATER DRIVE SHIELD
P	F-HNN-12C	1	HN 3/4-10 NYLOCK	80P IDLER SPROCKET
P	F-FWH-12	5	FW 3/4 HD	80P IDLER SPROCKET
P	F-MB-12WR18	2	BUSHING, MACH 18 GA, WR, 3/4 ID	80P IDLER SPROCKET
Q	F-HCF-12M020E	4	FLHC-10.9 M12 X 1.75 X 20	BEATER SHAFT STRIPPERS
SN JJCO268800 & AFTER (THESE ARE ALL COMBINES WITH HYDRAULIC HEADER REVERSER)				
R	F-SSS-06C08	2	SET SCREW, SOCKET 3/8-16 X 1/2, GRADE 8	USE #242 LOCTITE
SN JJCO117059 & AFTER				
S	F-THMS-04C08	4	THMS 1/4-20 X 1/2, SLT SERR	BEATER DRIVE SHIELD
S	F-HNF-04C	4	HN 1/4-20, SERR	BEATER DRIVE SHIELD
T	F-HC5-08C20	2	HC5 1/2-13 X 1-1/4	60P IDLER SPROCKET BRACKET
T	F-LW-08	2	LW 1/2	60P IDLER SPROCKET BRACKET
T	F-HN5-08C	2	HN5 1/2-13	60P IDLER SPROCKET BRACKET
U	F-CB-10C40	1	BOLT, CARRIAGE GR 5 5/8-11 X 2-1/2	60P IDLER SPROCKET
U	F-HNN-10C	1	HN 5/8-11, NYLOCK	60P IDLER SPROCKET
U	F-FWH-10	10	FW 5/8 HD	60P IDLER SPROCKET
U	F-FWH-12	1	FW 3/4 HD	60P IDLER SPROCKET
FOR MIDWEST COMBINES				
V	F-EB-04C20	38	BOLT, ELEVATOR, 1/4-20 X 1-1/4	BEATER PADDLES
V	F-HNF-04C	38	FLHN 1/4-20, SERR	BEATER PADDLES
FOR NORTHWEST COMBINES				
W	F-HC8-06C16	4	HC8 3/8-16 X 1	ANTI-WRAP ASSEMBLIES
W	F-HNF-06C	4	FLHN 3/8-16, SERR	ANTI-WRAP ASSEMBLIES
X	F-HC5-04C20	6	HC5 1/4-20 X 1-1/4	THROAT NARROWING PLATES
X	F-HN5-04C	6	HN5 1/4-20	THROAT NARROWING PLATES
X	F-LW-04	6	LW 1/4	THROAT NARROWING PLATES

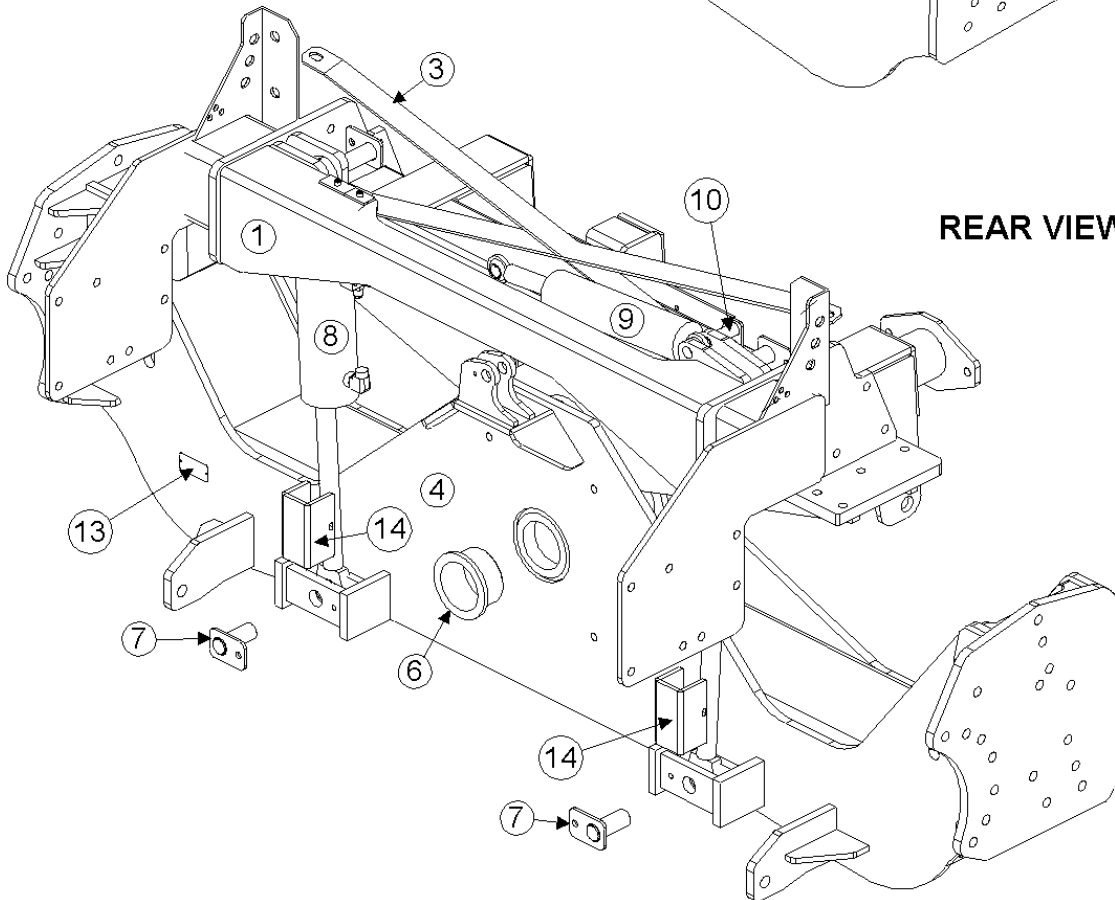
3 CARRIAGE

SEE PAGE 2-3
FOR FASTENERS

FRONT VIEW



REAR VIEW

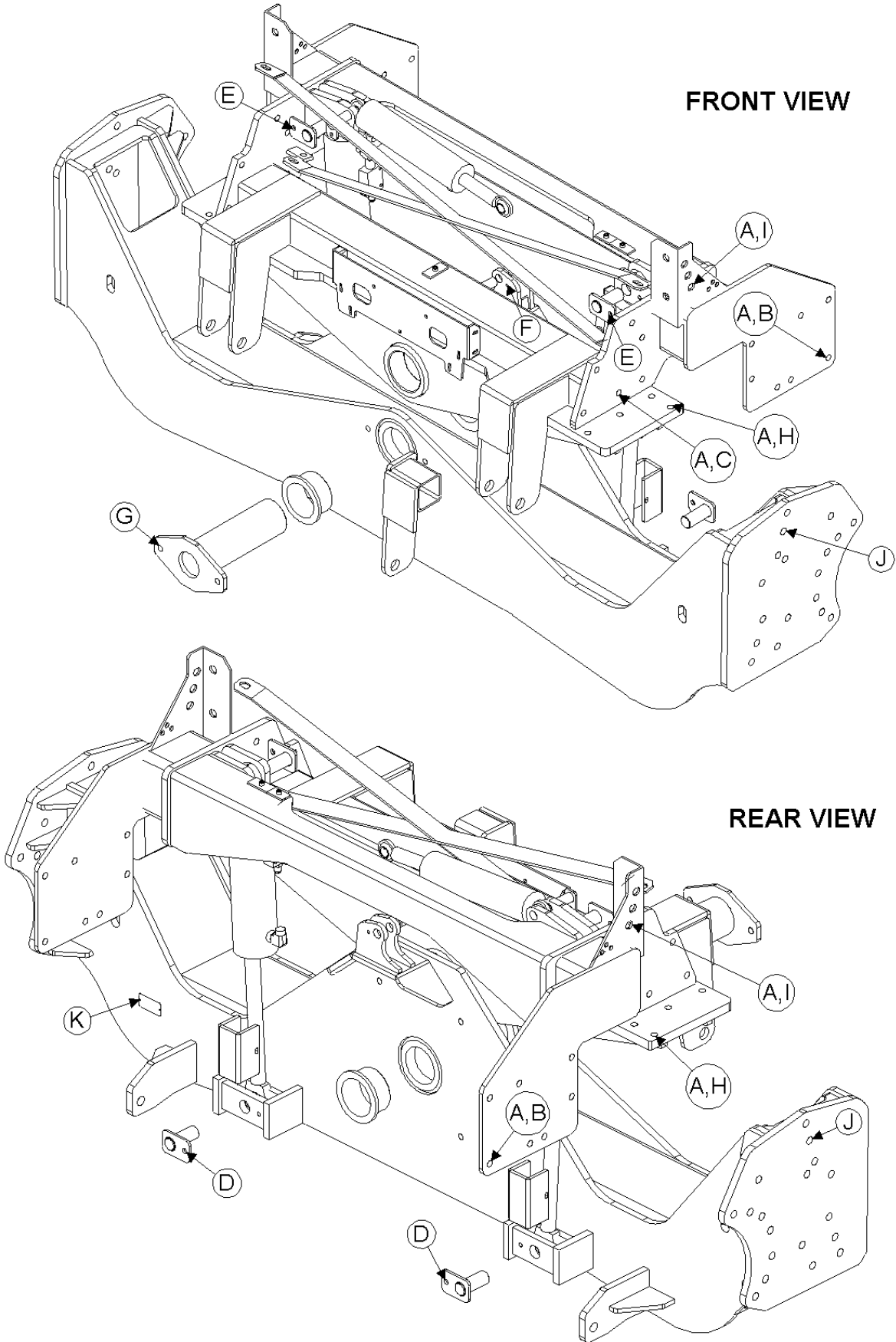


Model 2800 Hillco Leveling System
For Serial Numbers 2800-1201 thru 2800-1299

CARRIAGE				
REF.	PART NO.	QTY.	PART NAME	NOTES
1	LA-227243	1	CO ASM, TWO CYLINDER	
NS	LA-227253	1	CO ASM, THREE CYLINDER	
2	LA-241131	1	CO ASM, 3RD HEADER LIFT	FOR COMBINES ADDING 3RD HEADER LIFT CYLINDER
3	LM-226631	2	CO STRAP, X BRACE	
4	LA-227263	1	CU UNDERCARRIAGE ASM	
5	LA-217692	1	CM PIN ASM, MAIN PIVOT	
6	LP-103871	2	CO BUSHING, PIVOT	
7	LA-230551	4	CM PIN ASM, MAIN CYLINDER	
8	HC-103227	2	CYLINDER, MAIN	SEE HYDRAULIC PAGE 8-2
NS	HC-134251	2	SEAL KIT, MAIN CYLINDER	
9	HC-101842	1	CYLINDER, MASTER	SEE HYDRAULIC PAGE 8-2
NS	HC-134201	1	SEAL KIT, MASTER CYLINDER	
10	LA-229071	2	TM PIN ASM, TRIM CYLINDER	
11	HC-138901	2	VALVE, 3-PORT COUNTERBALANCE	SEE HYDRAULIC PAGE 8-2
12	LP-249182	1	EM PLATE, ELECTRICAL MOUNT	
13	LA-255941	1	TAG, SERIAL NUMBER	
14	LP-249321	2	CM SPACER, SHIPPING	
OPTIONAL -- CARRIAGE COMPONENTS				
NS	MC-137251	2	COLLAR, 2-PIECE CLAMPING	SAFETY STOP -- QTY. AS NEEDED
NS	MC-137501	?	WASHER, QUICK REPAIR 2"	SAFETY STOP -- QTY. AS NEEDED
MISCELLANEOUS CARRIAGE COMPONENTS				
NS	HC-139481	1	BEHRINGER TWIN CLAMP .620 DIAMETER	HOSES TO TRIM VALVE
NS	HC-139501	1	BEHRINGER TWIN COVER PLT (FOR .620)	HOSES TO TRIM VALVE
NS	HC-139511	1	BEHRINGER TWIN BOLT (FOR .620)	HOSES TO TRIM VALVE
NS	HC-139431	3	BEHRINGER TWIN CLAMP .750 DIAMETER	HOSES BETWEEN CYLINDERS AND HOSES TO LEVELING VALVE
NS	HC-139451	2	BEHRINGER TWIN COVER PLATE (FOR .750)	HOSES BETWEEN CYLINDERS AND HOSES TO LEVELING VALVE
NS	HC-139461	2	BEHRINGER TWIN BOLT (FOR .750)	HOSES BETWEEN CYLINDERS AND HOSES TO LEVELING VALVE
NS	HC-139471	1	BEHRINGER STACK BOLT (FOR .750)	HOSES BETWEEN CYLINDERS AND HOSES TO LEVELING VALVE
NS	HC-133112	1	ABRASION SLEEVE, NYLON -- 2.19" ID X 44"	MANIFOLD TO MASTER AND LEVELING CYLINDERS
NS	HC-133541	4	ABRASION SLEEVE, NYLON -- 2.19" ID X 32"	3- HYDRO HOSES 1- REAR STEERING
NS	HC-142151	1	ABRASION SLEEVE, NYLON -- 1.66" ID X 12"	CASE DRAIN HOSE BY CODE 62 COUPLER BY HYDRO PUMP

Model 2800 Hillco Leveling System
For Serial Numbers 2800-1201 thru 2800-1299

CARRIAGE FASTENERS



Model 2800 Hillco Leveling System
For Serial Numbers 2800-1201 thru 2800-1299

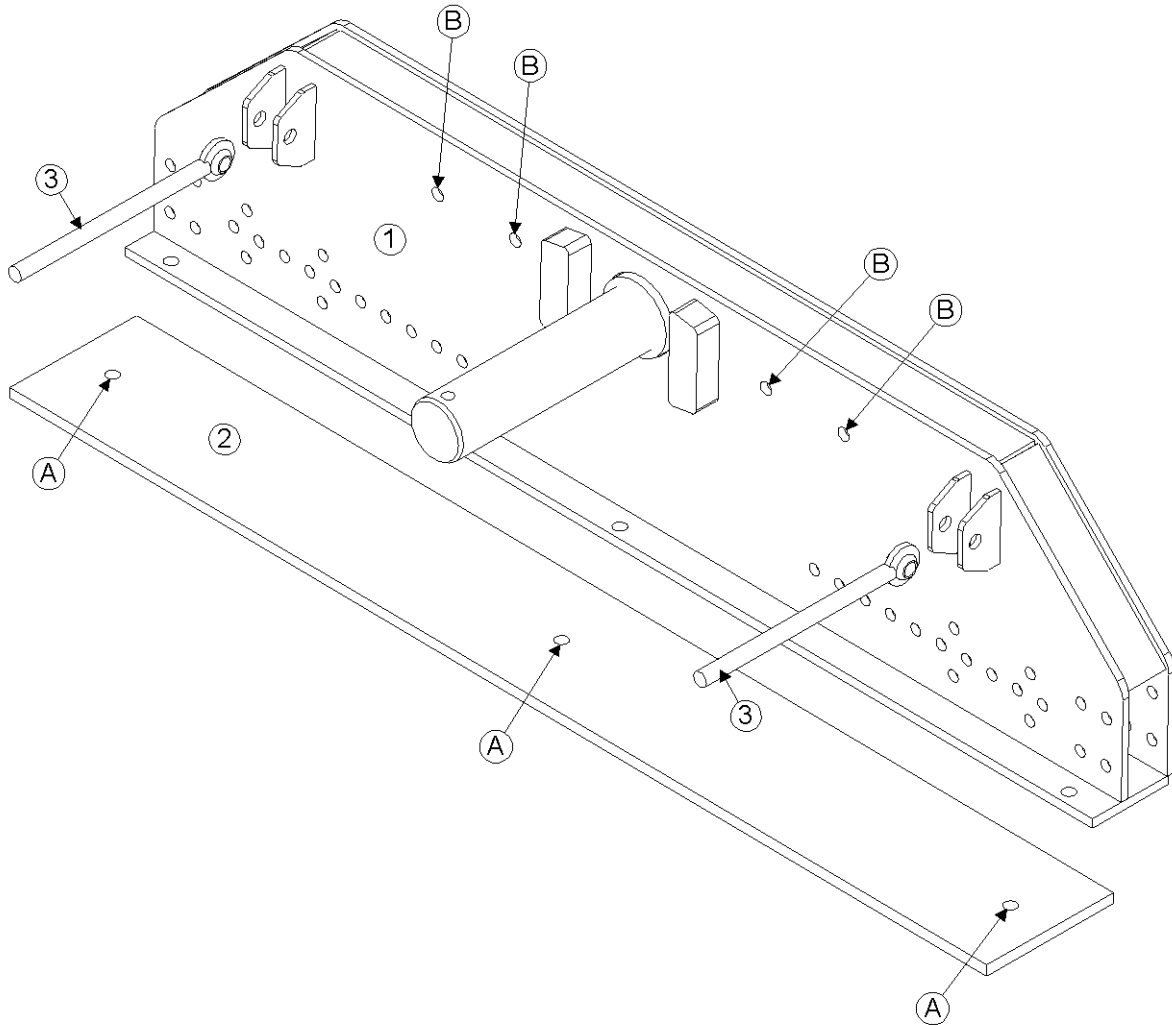
CARRIAGE FASTENERS				
REF.	PART NO.	QTY.	PART NAME	WHERE USED
A	F-HNS-10C	34	HN8 5/8-11, STOVER	OVERCARRIAGE
A	F-FWH-10	44	FW 5/8, HD	OVERCARRIAGE
B	F-HC8-10C24	14	HC8 5/8-11 X 1-1/2	OVERCARRIAGE REAR SIDE PLT
C	F-HC8-10C32	12	HC8 5/8-11 X 2	OVERCARRIAGE FRONT SIDE PLT
D	F-HC5-08C16	2	HC5 1/2-13 X 1	LOWER MAIN CYL MNT PIN
D	F-LW-08	2	LW 1/2	LOWER MAIN CYL MNT PIN
E	F-HC5-08C16	2	HC5 1/2-13 X 1	TOP MAIN CYL MNT PIN
E	F-LW-08	2	LW 1/2	TOP MAIN CYL MNT PIN
F	F-HC5-06C14	2	HC5 3/8-16 X 7/8	MASTER CYL MNT PIN
F	F-LW-06	2	LW 3/8	MASTER CYL MNT PIN
G	F-HNS-10C	2	HN8 5/8-11, STOVER	MAIN PVT PIN
H	F-HC8-10C36	8	HC8 5/8-11 X 2-1/4	OVERCARRIAGE BASE PLT
I	F-HC8-10C32	10	HC8 5/8-11 X 2	OVERCARRIAGE UPPER FRAME SUPPORTS
J	F-SHC-20M065E	6	SHCS 10.9-20 X 2.5 X 65	FINAL DRIVE MOUNTING
J	F-HC-20M065E	22	HC 10.9-20 X 2.5 X 65	FINAL DRIVE MOUNTING
J	F-LWH-20M	28	LW 20, HD	FINAL DRIVE MOUNTING
K	F-UDS-#7X06	2	SCREW, U-DRIVE #7 X 3/8	SERIAL NUMBER PLT

Model 2800 Hillco Leveling System
For Serial Numbers 2800-1201 thru 2800-1299

Y-BRACE				
REF.	PART NO.	QTY.	PART NAME	NOTES
1	LA-226991	2	YB ARM ASM	
2	LA-226101	1	YB CROSS SUPPORT ASM	
3	LM-226061	2	YB CLAMP, CROSS SUPPORT	
4	LA-228761	1	YB PIN ASM, PIVOT	
5	LM-245431	2	BUSHING, PLANE	
6	LM-234101	1	YB COLLAR, PIVOT PIN	
Y-BRACE FASTENERS				
REF.	PART NO.	QTY.	PART NAME	WHERE USED
A	F-HC8-16C44	2	HC8 1-8 X 2-3/4	Y-BRACE FRONT MOUNT
A	F-HNS-16C	2	HN8 1-8, STOVER	Y-BRACE FRONT MOUNT
B	F-HC8-08C36	6	HC8 1/2-13 X 2-1/4	Y-BRACE CROSS SUPPORT MOUNT
B	F-HNS-08C	6	HN8 1/2-13, STOVER	Y-BRACE CROSS SUPPORT MOUNT
C	F-HC8-16C72	1	HC8 1-8 X 4-1/2	Y-BRACE REAR MOUNT
C	F-HNS-16C	1	HN8 1-8, STOVER	Y-BRACE REAR MOUNT
D	F-HC8-08C48	1	HC8 1/2-13 X 3	Y-BRACE PIVOT PIN
D	F-HNS-08C	1	HN8 1/2-13, STOVER	Y-BRACE PIVOT PIN
E	F-MB-18NR24	20	BUSHING, MACH 18 GA NR 1-1/2" ID	Y-BRACE PIVOT PIN

Model 2800 Hillco Leveling System
For Serial Numbers 2800-1201 thru 2800-1299

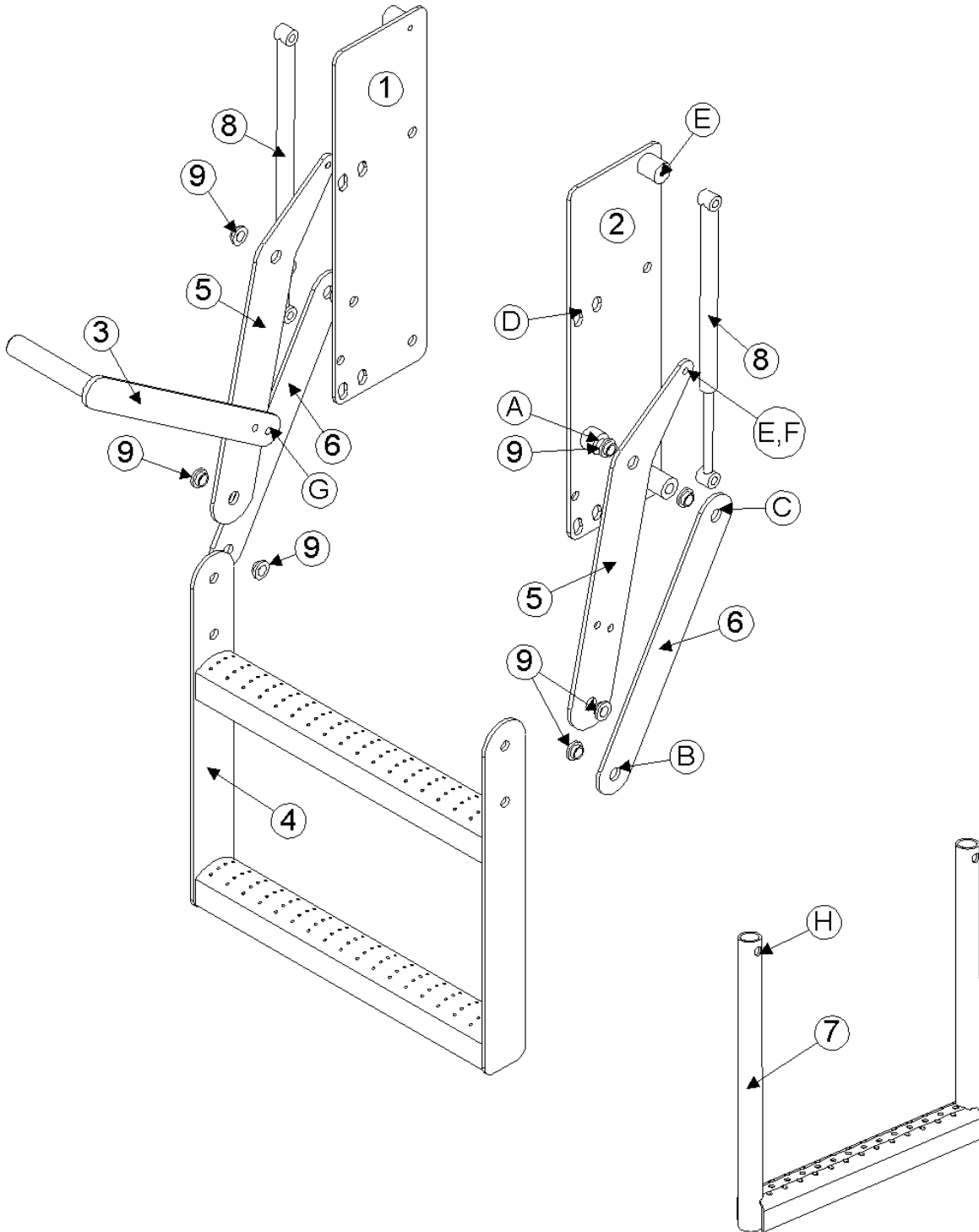
5 DROP AXLE



Model 2800 Hillco Leveling System
For Serial Numbers 2800-1201 thru 2800-1299

DROP AXLE				
REF.	PART NO.	QTY.	PART NAME	NOTES
1	LA-226901	1	DA ASM	
2	LM-212561	1-10	DA WEIGHT, 160 LB	1600 LBS MAX
3	MC-133711	2	LINK, BALL JOINT DRAG	
DROP AXLE FASTENERS				
REF.	PART NO.	QTY.	PART NAME	WHERE USED
NS	F-HC8-12C96	4	HC8 3/4-10 X 6	STEERING CYL MNT
A	F-HC8-12C56	3	HC8 3/4-10 X 3-1/2	1 WEIGHT BOLT PACKAGE
A	F-HC8-12C56	3	HC8 3/4-10 X 3-1/2	2 WEIGHT BOLT PACKAGE
A	F-HC8-12C72	3	HC8 3/4-10 X 4-1/2	3 WEIGHT BOLT PACKAGE
A	F-HC8-12C88	3	HC8 3/4-10 X 5-1/2	4 WEIGHT BOLT PACKAGE
A	F-HC8-12C96	3	HC8 3/4-10 X 6	5 WEIGHT BOLT PACKAGE
A	F-HC8-12C112	3	HC8 3/4-10 X 7	6 WEIGHT BOLT PACKAGE
A	F-HC8-12C120	3	HC8 3/4-10 X 7-1/2	7 WEIGHT BOLT PACKAGE
A	F-HC8-12C136	3	HC8 3/4-10 X 8-1/2	8 WEIGHT BOLT PACKAGE
A	F-HC8-12C144	3	HC8 3/4-10 X 9	9 WEIGHT BOLT PACKAGE
A	F-HC8-12C160	3	HC8 3/4-10 X 10	10 WEIGHT BOLT PACKAGE
A	F-HN8-12C	3	HN8 3/4-10	ALL WEIGHT BOLT PACKAGE
A	F-LW-12A	3	LW 3/4 HD	ALL WEIGHT BOLT PACKAGE
A	F-FWH-12	3	FW 3/4 HD	ALL WEIGHT BOLT PACKAGE
COMBINES WITH 4WD				
B	F-HC5-12C88	4	HC5 3/4-10 X 5-1/2	4WD ASM MNT
B	F-FW-12	4	FW 3/4	4WD ASM MNT
B	F-HNF-12C	4	HN 3/4-10, SERR	4WD ASM MNT
NS	F-HC8-12C96	6	HC8 3/4-10 X 6	STEERING CYLINDER MOUNTS

6 LADDER

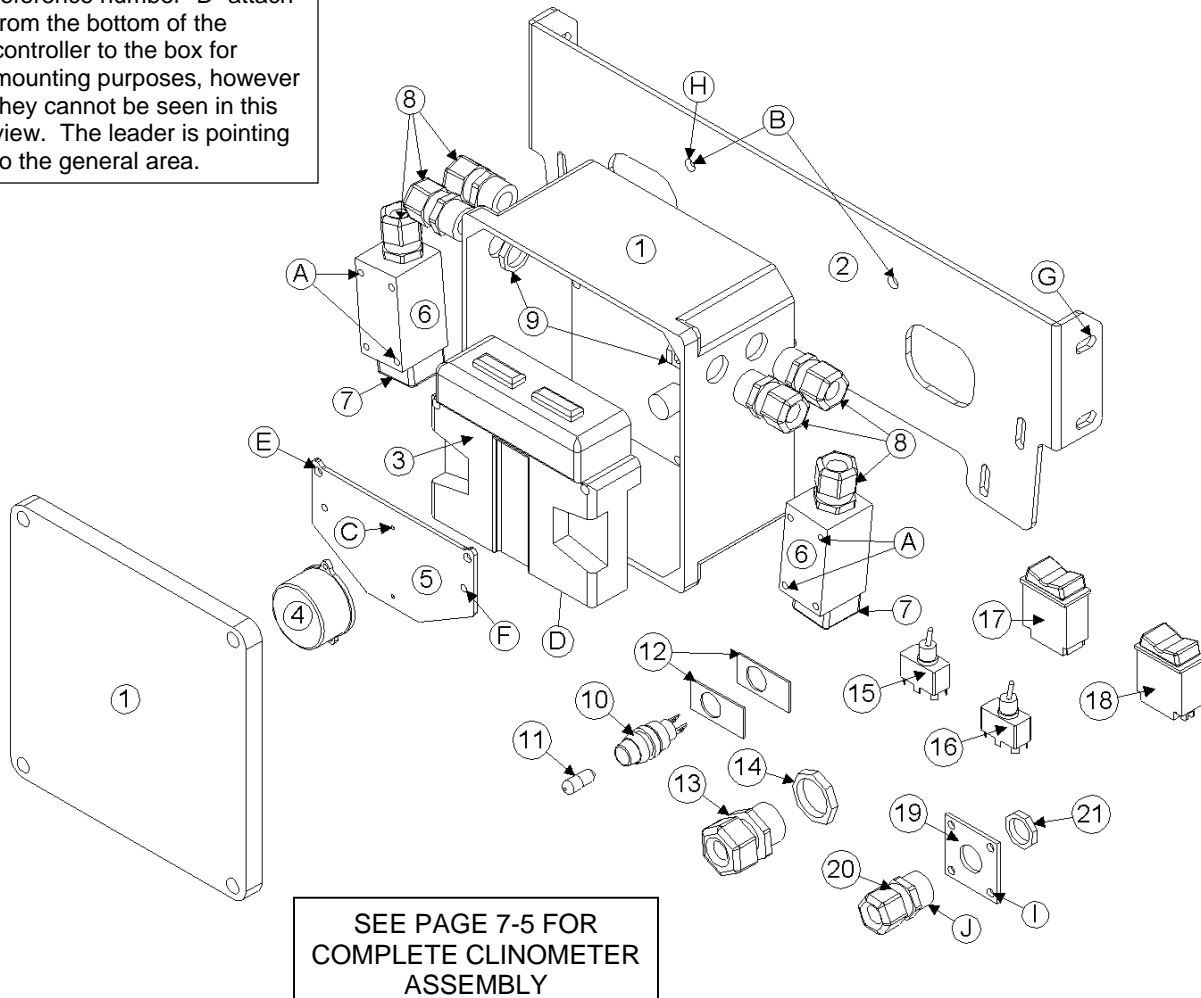


Model 2800 Hillco Leveling System
For Serial Numbers 2800-1201 thru 2800-1299

LADDER				
REF.	PART NO.	QTY.	PART NAME	NOTES
1	LA-248871	1	LM ASM, LEFT LADDER MNT	
2	LA-248881	1	LM ASM, RIGHT LADDER MNT	
3	LA-259751	1	LM ASM, LADDER HANDLE	
4	LA-248851	1	LM STEP ASM, FOLDING LDR	
5	LM-248821	2	LM PLATE, UPPER ARM	
6	LM-248831	2	LM PLATE, FOLDING LADDER LINK	
7	LA-238131	1	LM STEP ASM, REAR SERVICE LDR	
8	MC-139251	2	GAS CHARGED LIFT SUPPORT	
NS	MC-134931	2	LIFT SUPPORT BRACKETS (PAIR)	
9	MC-134941	8	FLANGED BUSHING, OILITE, 1/2" ID X 5/8" OD X 5/16"	
LADDER FASTENERS				
REF.	PART NO.	QTY.	PART NAME	WHERE USED
A	F-HC5-08C32	2	HC5 1/2-13 X 2	TOP SIDE PLATE PIVOT
A	F-HNS-08C	2	HN 1/2-13, STOVER	TOP SIDE PLATE PIVOT
B	F-HC5-08C20	4	HC5 1/2-13 X 1-1/4	MIDDLE PIVOTS
B	F-HNS-08C	4	HN 1/2-13, STOVER	MIDDLE PIVOTS
C	F-HC5-08C48	2	HC5 1/2-13 X 3	BOTTOM SIDE PLT PIVOTS
C	F-HNS-08C	2	HN 1/2-13, STOVER	BOTTOM SIDE PLT PIVOTS
D	F-HC5-06C20	6	HC5 3/8-16 X 1-1/4	SIDE PLATE MOUNTS
D	F-HNF-06C	6	FLHN 3/8-16, SERR	SIDE PLATE MOUNTS
E	F-LW-05	4	LW 5/16	BALL STUD
F	F-HNJ-05C	2	HN 5/16-18, JAM	BALL STUD
G	F-HC5-05C12	2	HC5 5/16-18 X 3/4	HANDLE
G	F-HNF-05C	2	FLHN 5/16-18, SERR	HANDLE
H	F-PHMS-06C32	2	PHMS 3/8-16 X 2, SLT	RIGHT REAR SERVICE LADDER EXT STEP
H	F-HNF-06C	2	HN 3/8-16, SERR	RIGHT REAR SERVICE LADDER EXT STEP

7 ELECTRICAL

*Note: The fasteners with reference number "D" attach from the bottom of the controller to the box for mounting purposes, however they cannot be seen in this view. The leader is pointing to the general area.

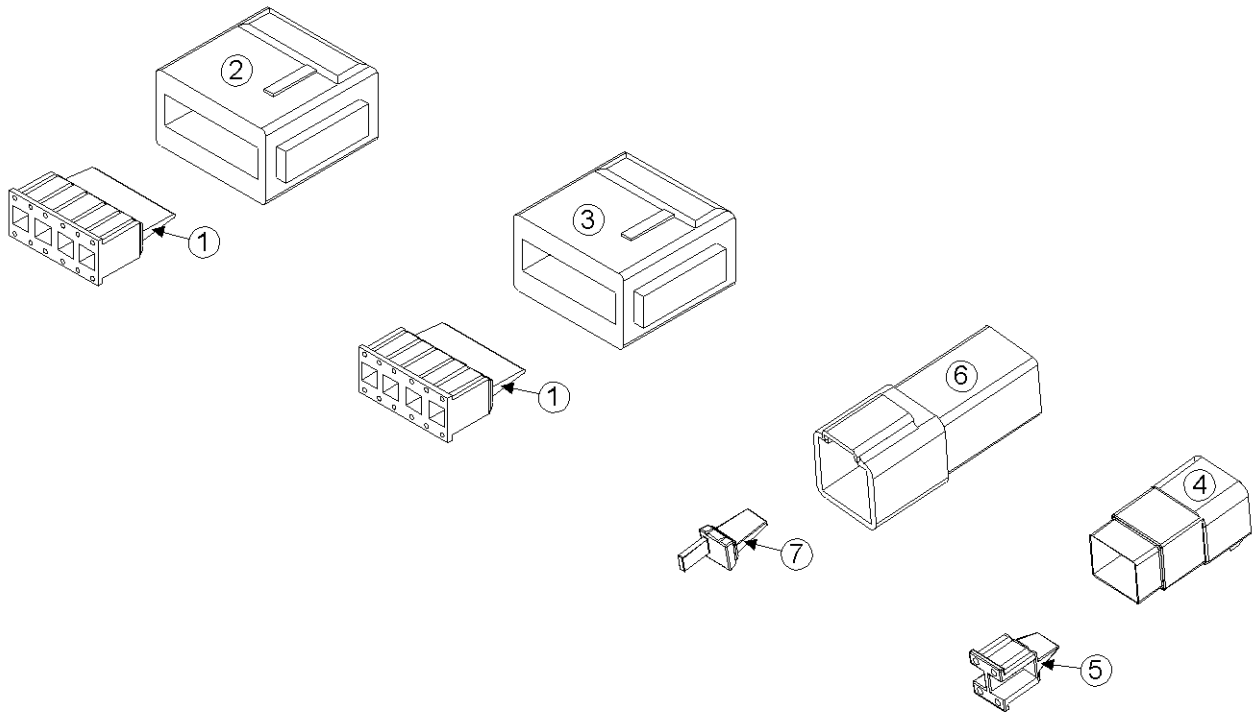


ELECTRICAL FASTENERS				
REF.	PART NO.	QTY.	PART NAME	WHERE USED
A	F-PHM-#10C28	4	PHMS 10-24 X 1-3/4	LIMIT SWITCH MNT
A	F-HNF-#10C	4	HN 10-24, FLNG SERR	LIMIT SWITCH MNT
B	F-HC5-04C12	3	HC5 1/4-20 X 3/4	PVC BOX TO BRACKET
B	F-LW-04	3	LW 1/4	PVC BOX TO BRACKET
C	F-PHM-#6C06	2	PHMS #6-32 X 3/8	CLINOMETER MOUNT
D	F-PHM-04C24	2	PHMS 1/4-20 X 1-1/2	CONTROLLER TO PVC BOX
D	F-HNF-04C	2	FLHN 1/4-20, SERR	CONTROLLER TO PVC BOX
E	F-PHM-04C36	2	PHMS 1/4-20 X 2-1/4	GROUNDING PLATE MOUNTING
E	F-HNF-04C	2	FLHN 1/4-20, SERR	GROUNDING PLATE MOUNTING
F	F-PHM-#10C16	2	PHMS 10-24 X 3/4	GROUNDING PLATE GROUND
F	F-HNF-#10C	2	HN5 10-24, FLNG, SERR	GROUNDING PLATE GROUND
F	F-HN-#10C	2	HN5 10-24	GROUNDING PLATE GROUND
G	F-HC5-05C12	4	HC5 5/16-18 X 3/4	EM PLATE ELECTRICAL MNT
G	F-HNF-05C	4	FLHN 5/16-18	EM PLATE ELECTRICAL MNT
H	F-LWE-04	1	LW 1/4, EXTERNAL STAR	MAIN GROUND WIRE
I	F-THC-#10C08	4	THC HWH 10-24 X 1/2	STRAIN RELIEF MOUNT
J	F-MB-18NR18	2	BUSHING, MACH 18 GA, NR, 1-1/8" ID	STRAIN RELIEF ON SIDE OF CAB

Model 2800 Hillco Leveling System
For Serial Numbers 2800-1201 thru 2800-1299

ELECTRICAL COMPONENTS				
REF.	PART NO.	QTY.	PART NAME	NOTES
FOR ALL COMBINES				
ASM	LA-249112	1	EM ASM, CONTROLLER	
1	LM-255341	1	EM BOX, CONTROLLER MOUNT	
2	LP-249182	1	EM PLATE, ELECTRICAL MOUNT	
3	EC-141831	1	CONTROLLER	
4	LA-255821	1	EM ASM, CLINOMETER	SEE PAGE 7-5 FOR DETAIL
5	LM-255331	1	EM SHT, CLINOMETER MOUNT	
6	EC-100557	2	BODY, LIMIT SWITCH	
7	EC-100692	2	HEAD, LIMIT SWITCH STRAIGHT PLUNGER	
8	EC-138781	6	STRAIN RELIEF, NYLON, BLK,1/2 NPT	
9	EC-142121	4	STRAIN RELIEF NUT, 1/2" NYLON, BLK	
10	EC-101876	1	LAMP, INDICATOR	IN CAB CONSOLE
11	EC-101877	1	BULB, INDICATOR LAMP	IN CAB CONSOLE
12	LM-219501	2	EM MOUNT, OUT OF LEVEL LAMP	IN CAB CONSOLE
NS	LL20-101869	1	PLATE, MAXIMUM LEVEL	IN CAB CONSOLE
13	EC-141891	1	STRAIN RELIEF, NYLON, BLK	RIGHT SIDE OF CAB
14	EC-141901	1	STRAIN RELIEF NUT, NYLON, BLK	RIGHT SIDE OF CAB
FOR COMBINES MANUFACTURED PRIOR TO 2006				
15	EC-101874	1	SWITCH, TOGGLE, DP ON-OFF-ON, 3-POS.	AUTO/OFF/MANUAL SWITCH
16	EC-138731	1	SWITCH, TOGGLE, DP MO-OFF-MO, 3-POS.	LEFT/RIGHT LEVELING SWITCH
NS	LL20-101868	1	PLATE, CONSOLE SWITCH	IN CAB CONSOLE
FOR COMBINES MANUFACTURED IN 2006				
17	EC-143401	1	SWITCH, TOGGLE, DP (ON)-OFF-(ON), 3 POS.	LEFT/RIGHT LEVELING SWITCH
18	EC-143411	1	SWITCH, TOGGLE, SP ON-OFF-ON 3 POS.	AUTO/OFF/MANUAL SWITCH
NS	LA-143381	1	LABEL, LEVELING SWITCH	
NS	LA-143391	1	LABEL, AUTO/OFF/MANUAL SWITCH	
FOR COMBINES WITH FIELD TRACKER				
NS	LA-236731	1	AUTO CENTER DISABLE RELAY KIT	
FOR COMBINES WITH FIELD TRACKER ELECTRONICS, BUT NO VALVE				
NS	EC-138781	1	STRAIN RELIEF, NYLON, BLK,1/2 NPT	MOUNTED TO TRIM VALVE
FOR COMBINES WITHOUT FIELD TRACKER				
19	LM-207631	1	LM MOUNT, CAB STRAIN RELIEF	
20	EC-138781	1	STRAIN RELIEF, NYLON, BLK,1/2 NPT	RIGHT SIDE OF CAB
21	EC-142121	1	STRAIN RELIEF NUT, 1/2" NYLON, BLK	RIGHT SIDE OF CAB
NS	EC-138781	1	STRAIN RELIEF, NYLON, BLK,1/2 NPT	MOUNTED ON TRIM VALVE
NS	LA-235472	1	LATERAL TILT RELAY KIT	
NS	EC-100009	2	BASE, RELAY, AUTOMOTIVE	
NS	EC-100010	2	RELAY, AUTOMOTIVE	

Model 2800 Hillco Leveling System
For Serial Numbers 2800-1201 thru 2800-1299
ELECTRICAL CONNECTORS



Model 2800 Hillco Leveling System
For Serial Numbers 2800-1201 thru 2800-1299

ELECTRICAL CONNECTORS				
REF.	PART NO.	QTY.	PART NAME	DESCRIPTION
NS	EC-100008	8	TERMINAL, RELAY, AUTOMOTIVE	
NS	EC-100164	2	PIN, ELECTRICAL	
NS	EC-100165	2	SOCKET, SIZE 16 DEUTSCH	
NS	EC-100693	2	NUT, DRESS, 13/32-32	
NS	EC-139301	4	SPADE, FIFO FEMALE .187	
NS	EC-139311	1	SPADE, FIFO FEMALE .250	
NS	EC-139321	1	SPADE, MALE .187, NON-INSUL, 14-16 GA	
NS	EC-139331	1	RELAY, BOSCH	
1	EC-141741	2	DTM SERIES, 12-SOCKET WEDGE	
2	EC-141751	1	DTM SERIES, 12-SOCKET PLUG - GRAY	
3	EC-141761	1	DTM SERIES, 12-SOCKET PLUG - BLACK	
NS	EC-141771	30	DTM SERIES, SOCKET CONTACT, STAMPED	
NS	EC-141781	4	DTM SERIES, PIN CONTACT, STAMPED	
4	EC-141791	3	DTM SERIES, 4-SOCKET PLUG	
5	EC-141801	3	DTM SERIES, 4-SOCKET WEDGE	
6	EC-141811	1	DTM SERIES, 4-PIN RECEPTACLE	
7	EC-141821	1	DTM SERIES, 4-PIN WEDGE	
NS	ET-QC-20	3	QUICK-CONNECT, BLUE	
NS	ET-SP-16	7	TERMINAL, FEMALE SPADE, NON-INSUL, 16 GA	
NS	ET-SP-20	4	TERMINAL, FEMALE SPADE, NON-INSUL, 20 GA	
NS	ET-ST-20#10	11	TERMINAL, RING, NON-INSUL, #10, 20 GA	
NS	ET-ST-20#6	25	TERMINAL, RING, NON-INSUL, #6, 20 GA	
NS	ET-ST-2004	2	TERMINAL, RING, NON-INS, 1/4, 20 GA	

ELECTRICAL CABLES



#1 LA-249062
EM CABLE ASM, LEVELING VALVE



#5 LA-249052
EM CABLE ASM, FT JUMPER



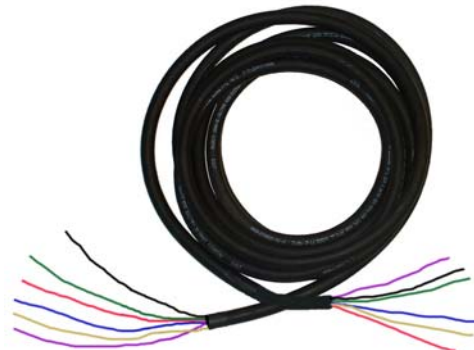
#2 LA-255631
EM CABLE ASM, LIMIT SWITCH



#6 LA-49072
EM CABLE ASM, SWITCH TO VALVE



#3 LA-249102
EM CABLE ASM, BOX TO VALVE



#7 LA-249092
EM ALL CABLE ASM, CAB TO BOX



#4 LA-255821
EM CABLE ASM, CLINOMETER

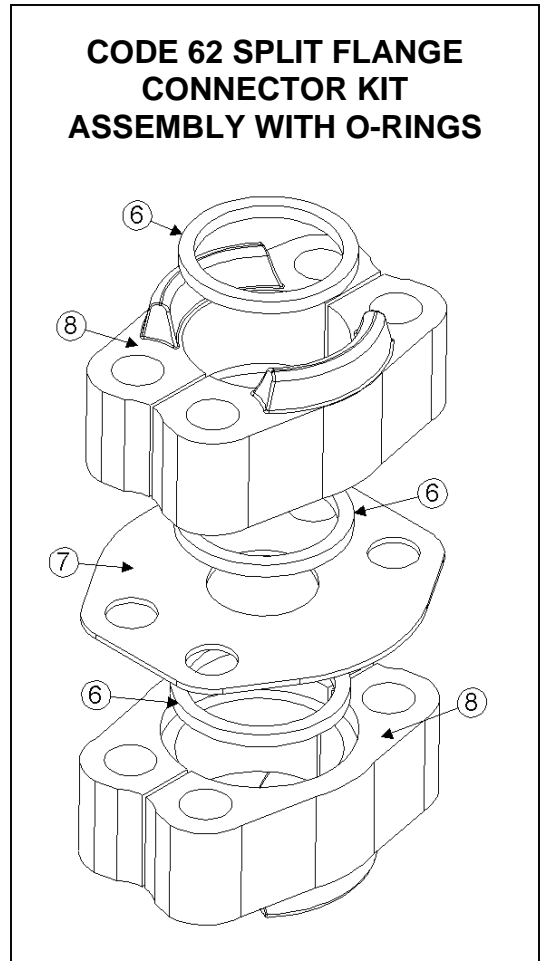
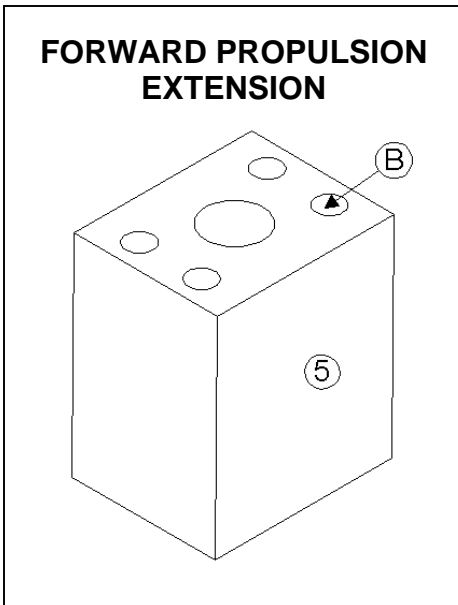
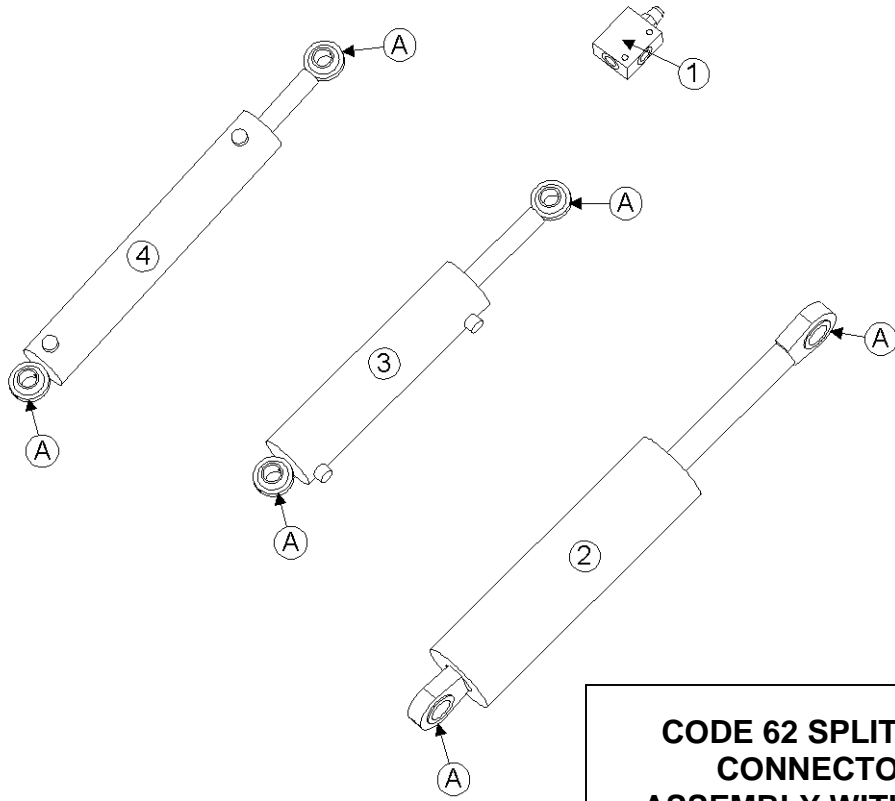


#8 LA-261721
EM CABLE ASM, CAB TO BOX

Model 2800 Hillco Leveling System
For Serial Numbers 2800-1201 thru 2800-1299

CABLE ASSEMBLIES			
REF.	PART NO.	QTY.	PART NAME AND DESCRIPTION
FOR ALL COMBINES			
1	LA-249062	1	EM CABLE ASM, LEVELING VALVE
2	LA-255631	2	EM CABLE ASM, LIMIT SWITCH
3	LA-249102	1	EM CABLE ASM, BOX TO VALVE
4	LA-255821	1	EM ASM, CLINOMETER
FOR COMBINES WITH FIELD TRACKER ELECTRONICS			
NS	LA-236731	1	RELAY KIT, AUTO CENTER DISABLE
FOR COMBINES WITH FIELD TRACKER ELECTRONICS BUT NO VALVE			
5	LA-249052	1	EM CABLE ASM, FT JUMPER
FOR COMBINES WITHOUT FIELD TRACKER ELECTRONICS			
6	LA-249072	1	EM CABLE ASM, SWITCH TO VALVE
NS	LA-235472	1	RELAY KIT, LATERAL TILT
..	F-PHM-#10C08	2	PHMS 10-24 x 1/2
..	F-HNF-#10C	2	HN 10-24, FLNG, SERR
FOR COMBINES MANUFACTURED PRIOR TO 2006			
7	LA-249092	1	EM CABLE ASM, CAB TO BOX
FOR COMBINES MANUFACTURED IN 2006			
8	LA-261721	1	EM CABLE ASM, CAB TO BOX

8 HYDRAULICS

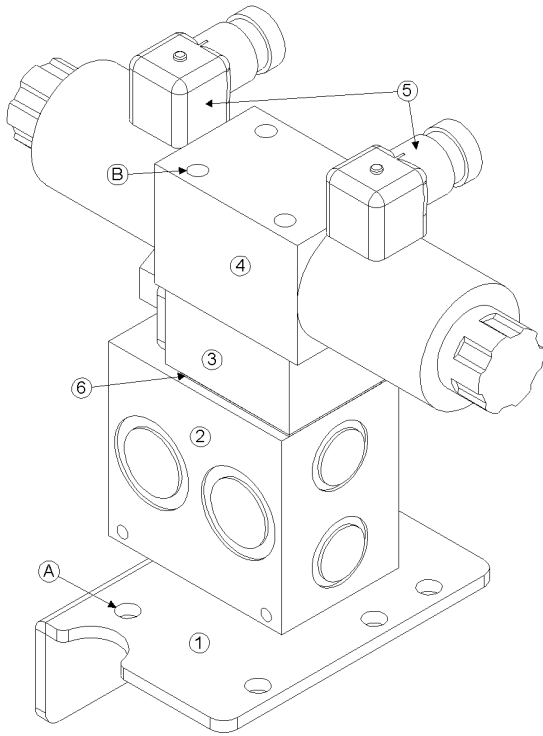


Model 2800 Hillco Leveling System
For Serial Numbers 2800-1201 thru 2800-1299

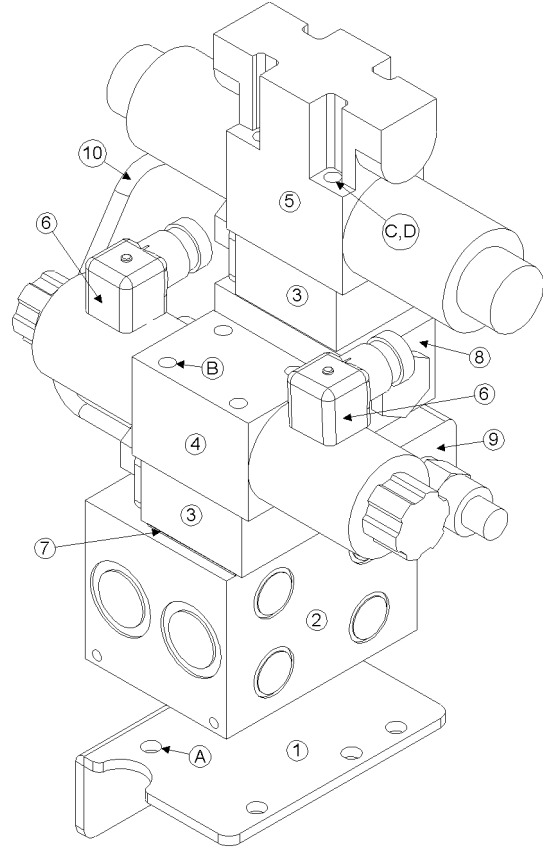
COUNTERBALANCE VALVE AND CYLINDERS				
REF.	PART NO.	QTY.	PART NAME	NOTES
1	HC-138901	2	VALVE, 3-PORT COUNTERBALANCE	
..	HC-139171	2	BODY, COUNTERBALANCE VALVE	
..	HC-139161	2	CARTRIDGE, COUNTERBALANCE VALVE	
NS	HC-140361	2	SEAL KIT, COUNTERBALANCE VALVE	
2	HC-103227	2	CYLINDER, MAIN	
NS	HC-134251	2	SEAL KIT, MAIN CYLINDER	
3	HC-101842	1	CYLINDER, MASTER	
NS	HC-134201	1	SEAL KIT, MASTER CYLINDER	
4	HC-100706	1	CYLINDER, SLAVE	
NS	HC-134191	1	SEAL KIT, SLAVE CYLINDER	
5	HC-140011	1	HM EXTENSION, FORWARD PROPULSION	
CODE 62 SPLIT FLANGE CONNECTOR KIT ASSEMBLY				
ASM	HC-101843	2	CODE 62 SLT FLNG CONNECTOR KIT WITH O-RINGS	FWD AND REVERSE PROPULSION HOSE
6	HC-134911	6	O-RING, CODE 62 CONNECTOR	
7	HC-137891	2	PLATE, CODE 62	
8	HC-137901	4	CODE 62, #16 SPLIT FLANGE KIT	
NS	F-HC8-07C44	8	HC8 7/16 X 2-3/4	
NS	F-HN8-07C	8	HN8 7/16-14	
NS	F-LW-07	4	LW 7/16	
HYDRAULIC FASTENERS				
REF.	PART NO.	QTY.	PART NAME	WHERE USED
A	F-SSS-04F04	8	SET SCREW, SOCKET 1/4-28 X 1/4, GRADE 8	ALL CYLINDERS
B	F-HC8-07C88	4	HC8 7/16-14 X 5-1/2	HYDRO FWD PROPULSION EXTENSION
B	F-LWH-07	4	LW 7/16 HD	HYDRO FWD PROPULSION EXTENSION

HYDRAULIC MANIFOLD

**MANIFOLD ASSEMBLY FOR
 COMBINES WITH FIELD
 TRACKER VALVE**



**MANIFOLD ASSEMBLY FOR
 COMBINES WITHOUT FIELD
 TRACKER VALVE**



****Note:** Be sure to look under the correct headings in both the drawings and the lists below and to the right, as the components for the two manifold assemblies are different.

MANIFOLD FASTENERS				
REF.	PART NO.	QTY.	PART NAME	WHERE USED
FOR ALL COMBINES				
A	F-HNF-05C	4	FLHN 5/16-18 SERR	SECURES MANIFOLD TO MNT PLT
B	F-SHC-#10C52	4	SHCS 10-24 X 3-1/4	LEVELING SECTION OF MANIFOLD
B	F-LW-#10	4	LW #10	LEVELING SECTION OF MANIFOLD
FOR COMBINES WITHOUT FIELD TRACKER VALVE				
C	LM-249701	4	HM STUD, MANIFOLD TRIM	TRIM SECTION OF MANIFOLD
D	HC-139871	4	NUT, STUD, 10-24	TRIM SECTION OF MANIFOLD

Model 2800 Hillco Leveling System
For Serial Numbers 2800-1201 thru 2800-1299

MANIFOLD COMPONENTS				
REF.	PART NO.	QTY.	PART NAME	NOTES
FOR COMBINES WITH FIELD TRACKER VALVE				
1	LM-249041	1	HM PLATE, MANIFOLD MOUNT	
2	HC-138861	1	MANIFOLD, SINGLE STATION	
3	HC-101264	1	SHUTTLE ASM, LOAD SENSE	
..	HC-101021	1	CARTRIDGE, LOAD SENSE VALVE	
..	HC-101022	1	BODY, LOAD SENSE VALVE	
NS	HC-102082	1	SEAL KIT, LOAD SENSE SHUTTLE ASM	
4	HC-140411	1	VALVE, DIRECTIONAL CONTROL, PROPORTIONAL	
NS	LM-250111	1	ORIFICE, .128, "P" PORT ON DIRECTIONAL CONTROL VALVE	
NS	HC-142731	1	SEAL KIT, DIRECTIONAL CONTROL VALVE	
5	HC-140291	2	PLUG, DIN, LIGHTED	
6	HC-142761	1	SUBPLATE	
FOR COMBINES WITHOUT FIELD TRACKER VALVE				
1	LM-249041	1	HM PLATE, MANIFOLD MOUNT	
2	HC-138851	1	MANIFOLD, 2 STATION	
3	HC-101264	2	SHUTTLE ASM, LOAD SENSE	
..	HC-101021	2	CARTRIDGE, LOAD SENSE VALVE	
..	HC-101022	2	BODY, LOAD SENSE VALVE	
NS	HC-102082	2	SEAL KIT, LOAD SENSE SHUTTLE ASM	
4	HC-140411	1	VALVE, DIRECTIONAL CONTROL, LEVELING PROPORTIONAL	
NS	LM-250111	1	ORIFICE, .128, "P" PORT IN DIRECTIONAL CONTROL VALVE	
NS	HC-142731	1	SEAL KIT, DIRECTIONAL CONTROL VALVE	
5	HC-139881	1	VALVE, HEADER TRIM DIRECTIONAL CONTROL	
NS	LM-250121	1	ORIFICE, .55, "P" PORT IN DIRECTIONAL CONTROL VALVE	
NS	HC-142731	1	SEAL KIT, DIRECTIONAL CONTROL VALVE	
6	HC-140291	2	PLUG, DIN, LIGHTED	
7	HC-142761	1	SUBPLATE	
8	HC-138881	1	VALVE, PILOT OPERATED CHECK	
9	HC-138891	1	RELIEF, DUAL	
NS	HC-143951	1	CARTRIDGE, PILOT OPERATED CHECK VALVE	
NS	HC-143961	1	SEAL KIT, PILOT OPERATED CHECK VALVE	
NS	HC-143971	4	O-RINGS, PILOT OPERATED CHECK VALVE	
10	LM-250131	1	HM TUBE, LOAD SENSE	

Model 2800 Hillco Leveling System
For Serial Numbers 2800-1201 thru 2800-1299

HYDRAULIC HOSES

LEVELING MANIFOLD				
REF.	PART NO.	QTY.	PART NAME	WHERE USED
FOR ALL COMBINES				
NS	LA-139571	1	5/8" 100R2 HOSE 47" #10 FORS X #10 FORS 90°	LEVELING VALVE PRESSURE HOSE
NS	LA-140031	1	5/8" 100R2 HOSE 47" #10 FORS 90° X #12 FORS	LEVELING VALVE PRESSURE HOSE
NS	LA-139581	1	5/8" 100R1 HOSE 35" #12 FORS X #10 FORS 90°	LEVELING VALVE RETURN HOSE
NS	LA-140021	1	5/8" 100R2 HOSE 36" #12 FORS X #12 FORS 90°	PRESSURE HOSE TO CASE MANIFOLD
NS	LA-133102	1	1/4" 100R2 HOSE 54" #6 FORS 90° X #4 FORS	LOAD SENSE LINE
LEVELING CIRCUIT				
FOR ALL COMBINES				
NS	LA-139591	1	3/8" 100R2 HOSE 158-1/2" #6 FORS 90° X #6 FORS STR	LEVELING PORT "A" TO COUNTERBALANCE VALVE PORT #2 RIGHT
NS	LA-139591	1	3/8" 100R2 HOSE 158-1/2" #6 FORS 90° X #6 FORS STR	LEVELING PORT "B" TO COUNTERBALANCE VALVE PORT #3 RIGHT
NS	LA-139401	1	3/8" 100R2 HOSE 36-3/4" #6 FORS X #6 FORS 90°	COUNTERBALANCE VALVE PORT #2 RIGHT TO COUNTERBALANCE VALVE PORT #3 LEFT
NS	LA-139411	1	3/8" 100R2 HOSE 34-1/2" #6 FORS X #6 FORS 90°	COUNTERBALANCE VALVE PORT #3 RIGHT TO COUNTERBALANCE VALVE PORT #2 LEFT
NS	LA-139421	2	3/8" 100R2 HOSE 15-1/4" #6 FORS X #6 FORS 90	MAIN ROD TO COUNTERBALANCE VALVE PORT #3 (LEFT & RIGHT)
NS	LA-139401	1	3/8" 100R2 HOSE 36-3/4" #6 FORS X #6 FORS 90°	COUNTERBALANCE VALVE PORT #2 LEFT TO COUNTERBALANCE VALVE PORT #3 RIGHT
NS	LA-139411	1	3/8" 100R2 HOSE 34-1/2" #6 FORS X #6 FORS 90°	COUNTERBALANCE VALVE PORT #3 LEFT TO COUNTERBALANCE VALVE PORT #2 RIGHT
HEADER TRIM CIRCUIT				
FOR ALL COMBINES				
NS	LA-133423	1	1/4" 100R2 HOSE 111" #6 FORS X #6 FORS	MASTER CYLINDER BASE TO SLAVE CYLINDER BASE
NS	LA-133433	1	1/4" 100R2 HOSE 133" #6 FORS X #6 FORS	MASTER CYLINDER ROD TO SLAVE CYLINDER ROD
FOR COMBINES WITHOUT FIELD TRACKER VALVE				
NS	LA-139601	1	1/4" 100R2 HOSE 145-1/4" #6 FORS STR BOTH ENDS	TRIM PORT "A" TO MASTER BASE
NS	LA-139611	1	1/4" 100R2 HOSE 135-1/2" #6 FORS STR BOTH ENDS	TRIM PORT "B" TO MASTER ROD
FOR COMBINES WITH FIELD TRACKER VALVE				
NS	LA-139381	1	1/4" 100R2 HOSE 116-1/4" #6 FORS STR BOTH ENDS	FIELD TRACKER CW PORT TO MASTER BASE
NS	LA-139391	1	1/4" 100R2 HOSE 106-1/2" #6 FORS STR BOTH ENDS	FIELD TRACKER CCW PORT TO MASTER ROD

Model 2800 Hillco Leveling System
 For Serial Numbers 2800-1201 thru 2800-1299
HYDRAULIC HOSES (CONTINUED)

BRAKE				
REF.	PART NO.	QTY.	PART NAME	WHERE USED
FOR ALL COMBINES				
NS	LA-133471	1	1/4" HTB HOSE (7000 PSI) 56" #4 FORS X #4 FORS	FOOT-N-INCH VALVE (ATTENUATOR)
NS	LA-133481	1	3/8" 100R2 HOSE 39" #6 FORS 90° X #8 FORS	RIGHT BRAKE HOSE
NS	LA-133461	1	3/8" 100R2 HOSE 58" #6 FORS 90° X #6 FORS	LEFT BRAKE HOSE
NS	LA-142141	1	3/8" 100R2 HOSE 36" #6 FORS 90° X #6 FORS 90°	REPLACES STEEL BRAKE LINE LOOP ABOVE TRANSMISSION
HYDROSTAT				
FOR ALL COMBINES				
NS	LA-101809	1	1" 6000 PSI WP 1" CODE 62 FLANGE ENDS STR 18"	HYDROSTATIC FORWARD PROPULSION HOSE EXTENSION
FOR SN JJCO047918 THRU JJCO193725				
NS	LA-102097	1	1" 100R15 HOSE 1" CODE 62 FLANGE ENDS 44"	HYDROSTAT FORWARD PROPULSION
NS	LA-102098	1	1" 100R1 HOSE 46" #16 FORS X #16 FORS	CASE DRAIN HOSE
GREASE				
FOR ALL COMBINES				
NS	LA-133322	1	3/16 R1 55" GREASE HOSE 1/8 MPT X 1/8 MPT	REMOTE GREASE LINE FROM MASTER ROD
NS	LA-133331	1	3/16 R1 12" GREASE HOSE 1/8 MPT X 1/8 MPT	REMOTE GREASE LINE FROM MASTER BASE
NS	LA-133341	1	3/16 R1 9-1/2" GREASE HOSE 1/8 MPT X 1/8 MPT	REMOTE GREASE LINE FROM RIGHT LEVELING CYLINDER BASE TO SIDE
NS	LA-133341	1	3/16 R1 9-1/2" GREASE HOSE 1/8 MPT X 1/8 MPT	REMOTE GREASE LINE FROM LEFT LEVELING CYLINDER BASE TO SIDE
NS	LA-133351	1	3/16 R1 31-1/2" GREASE HOSE 1/8 MPT X 1/8 MPT	REMOTE GREASE LINE FROM MAIN PIVOT PIN TO SIDE

Model 2800 Hillco Leveling System
 For Serial Numbers 2800-1201 thru 2800-1299

HYDRAULIC ADAPTERS

LEVELING MANIFOLD				
REF.	PART NO.	QTY.	PART NAME	WHERE USED
FOR ALL COMBINES				
NS	HA-M-6FF6MF	1	#6 ORS SWIVEL NUT RUN TEE	LOAD SENSE LINE AT STEERING PRIORITY VALVE
NS	HA-M-10FF10MF	1	#10 ORS SWIVEL NUT RUN TEE	PRESSURE HOSE AT STEERING PRIORITY VALVE
NS	HA-M-12FF12MF	2	#12 ORS SWIVEL NUT RUN TEE	RETURN HOSE AT RETURN BLOCK & PRESSURE HOSE AT PRIORITY VALVE
NS	HA-E-10MO	2	#10 MORB ALLEN HEAD PLUG ZERO LEAK	"P" & "T" PORTS
NS	HA-L-10MF10MO	2	#10 MORS X #10 MORB 90°	"P" & "T" PORTS
NS	HA-S-6MF8MO	2	#6 MORS X #8 MORB STR	"A" & "B" LEVELING PORTS
NS	HA-L-16MF12MO	1	#16 MORS X #12 MORB 90°	CASE DRAIN ON HYDRO MOTOR
FOR COMBINES WITHOUT FIELD TRACKER VALVE				
NS	HA-S-6MF8MO	2	#6 MORS X #8 MORB STR	"A" & "B" TRIM PORTS
NS	HA-T-4MF4MO	1	#4 MORB X #4 MORS STR THREAD RUN TEE	LOAD SENSE SHUTTLE
NS	HA-S-4MF4MO	1	#4 MORB X #4 MORS STR	LOAD SENSE SHUTTLE
NS	HC-139901	2	#4 ORS-TF NUT	STEEL LOAD SENSE LINE
NS	HC-139911	2	#4 ORS-TF FERRULE	STEEL LOAD SENSE LINE
NS	HC-139921	2	#4 ORS-TF SLEEVE	STEEL LOAD SENSE LINE
FOR COMBINES WITH FIELD TRACKER ELECTRONICS BUT NO VALVE				
NS	HA-T-4MF4MO	1	#4 MORB X #4 MORS STR THREAD RUN TEE	LOAD SENSE SHUTTLE
NS	HA-S-4MF4MO	1	#4 MORB X #4 MORS STR	LOAD SENSE SHUTTLE
NS	HC-139901	2	#4 ORS-TF NUT	STEEL LOAD SENSE LINE
NS	HC-139911	2	#4 ORS-TF FERRULE	STEEL LOAD SENSE LINE
NS	HC-139921	2	#4 ORS-TF SLEEVE	STEEL LOAD SENSE LINE
FOR COMBINES WITH FIELD TRACKER VALVE				
NS	HA-L-4MF4MO	1	#4 MORS X #4 MORB 90°	LOAD SENSE SHUTTLE
NS	HA-L-6MF6MO	2	#6 MORS X #6 MORB 90°	FIELD TRACKER CW AND CCW PORTS
MAIN CYLINDERS AND COUNTERBALANCE VALVE				
NS	HA-Q-6MF6MO	3	#6 MORS X #6 MORB STR THREAD BRANCH TEE	LEFT & RIGHT COUNTERBALANCE VALVE PORT #3 AND COUNTERBALANCE #2 RIGHT
NS	HA-K-6MF6FF	1	#6 MORS X #6 FORS SWIVEL NUT BRANCH TEE	RIGHT COUNTERBALANCE VAVLE PORT #3
NS	HA-L-6MF6MO	1	#6 MORS X # 6 MORB 90°	LEFT COUNTERBALANCE VALVE PORT #2
NS	HA-S-6FO8MO	2	#6 FORB X #8 MORB STR	LEFT & RIGHT MAIN CYLINDER BASE
NS	HA-L-6MF8MO	2	#6 MORS X #8 MORB 90°	LEFT & RIGHT MAIN CYLINDER ROD
NS	HA-L-6MO6MO	2	#6 MORB X #6 MORB 90°	LEFT & RIGHT COUNTERBALANCE VALVE PORT #1 TO MAIN CYL BASE
MASTER AND SLAVE CYLINDERS				
NS	HA-Q-6MF6MO	2	#6MORS X #6MORB STR THREAD BRANCH TEE	MASTER BASE AND ROD PORTS
NS	HA-L-6MF6MO	2	#6 MORS X #6 MORB 90°	SLAVE BASE AND ROD PORTS

Model 2800 Hillco Leveling System
 For Serial Numbers 2800-1201 thru 2800-1299

HYDRAULIC ADAPTERS (CONTINUED)

GREASE				
REF.	PART NO.	QTY.	PART NAME	WHERE USED
NS	HC-133891	1	ZERK, GREASE 1/8 MPT STR	TRANSITION MAIN PIVOT PIN
NS	HC-135771	1	1/4-28 MALE X 1/8 FPT 90°	MASTER CYLINDER BASE
NS	HC-135761	2	1/4-28 MALE X 1/8 FPT 45°	LEVELING CYLINDERS BASE
NS	HC-138011	5	ZERK, GREASE 1/4-28 STR	ALL GREASE HOSES
NS	HA-NJ-2FN	5	1/8 NPSM BULKHEAD LOCKNUT	BULKHEAD CONNECTORS
NS	HA-S-2FP2MN	5	1/8 NPSM X 1/8 FPT BULKHEAD CONNECTOR	BULKHEAD CONNECTORS
NS	HC-135881	1	1/4-28 MALE X 1/8 FPT STR	MASTER CYLINDER ROD
NS	HA-L-2FP2MP	1	1/8 MPT 90 STREET EL	MAIN PIVOT PIN

Model 2800 Hillco Leveling System
For Serial Numbers 2800-1201 thru 2800-1299

9 MISCELLANEOUS

DOCUMENTS AND LABELS				
REF.	PART NO.	QTY.	PART NAME	NOTES
NS	LA-141951	2	DECAL, CASE HILLSIDE	HILCO TECHNOLOGIES HILLSIDE
NS	LL20-100782	1	CAUTION LEVELING SYSTEM CAB	
NS	LL20-100783	6	DANGER CRUSHING HAZARD	
NS	LL20-100784	2	DANGER PINCH POINT	
NS	LL20-100785	1	CAUTION MOVING STEP	
NS	LL20-100786	1	WARNING ELECTRONIC CRUSHING HAZARD	FRONT OF CONTROL BOX
NS	LL20-100787	2	CAUTION LEVELING SYSTEM HAZARD	
NS	LL20-101868	1	PLATE, CONSOLE SWITCH	
NS	LL20-101869	1	PLATE, MAXIMUM LEVEL	
NS	LL20-100788	3	DANGER HYDRAULIC HAZARD	
NS	LL-133731	1	LABEL, GREASE 10 HRS	REAR AXLE
NS	LL-133731	1	LABEL, GREASE 10 HRS	RH OVERCARRIAGE
NS	LL-133731	1	LABEL, GREASE 10 HRS	LH OVERCARRIAGE
NS	LL-133731	1	LABEL, GREASE 10 HRS	TT PVT PIN
NS	LL-133731	1	LABEL, GREASE 10 HRS	RH TRANS SIDE PLT
NS	LL-133731	1	LABEL, GREASE 10 HRS	HDR LIFT CYL MNT (MAIN PVT PIN)
NS	LL-133731	2	LABEL, GREASE 10 HRS	MAIN LEV CYL BOTTOM (RH & LH)
NS	LL-143381	1	LABEL, LEVELING SWITCH	
NS	LL-143391	1	LABEL, AUTO-OFF-MANUAL SWITCH	
NS	LA-255941	1	TAG, SERIAL NUMBER, 2800	SEE PAGE 1-3 FOR PLACEMENT
NS	D-010223DJC01	1	MANUAL, OPERATOR'S	
NS	D-010310DJC08	1	MANUAL, DEALER INSTALLATION	
NS	D-060609ADL01A	1	MANUAL, PARTS	
HOSE CLAMPS AND FASTENERS				
REF.	PART NO.	QTY.	PART NAME	WHERE USED
NS	MC-101342	2	CLAMP R/C 1/4H 1-1/2T	AXLE FRONT CORNER GUSSET
NS	MC-101343	1	CLAMP R/C 1/4H 2-7/16T	LEFT SIDE OVERCARRIAGE
NS	F-HC5-04C12	3	HC5 1/4-20 X 3/4	HOSE CLAMPS
NS	F-HNF-04C	3	HN 1/4-20, FLNG, SERR	HOSE CLAMPS
NS	F-FW-04	3	FW 1/4	HOSE CLAMPS
NS	MC-101342	1	CLAMP R/C 1/4H 1-1/2T	TRANSITION RIGHT UP-RIGHT
NS	F-HNF-04C	1	HN 1/4-20, FLNG, SERR	HOSE CLAMP NUT
NS	F-HC5-04C16	1	HC5 1/4-20 X 1	HOSE CLAMP BOLT

Model 2800 Hillco Leveling System
For Serial Numbers 2800-1201 thru 2800-1299

10 PART NUMBER INDEX

PART NUMBER	PAGE NUMBER	PART NUMBER	PAGE NUMBER	PART NUMBER	PAGE NUMBER	PART NUMBER	PAGE NUMBER
D-010223DJC01	9-1	F-HC5-08C176	2-4	F-MB-14NR40	2-6	HC-138011	8-8
D-010310DJC08	9-1	F-HC5-08C20	2-6, 6-2	F-MB-18NR18	7-1	HC-138851	8-4
D-060609ADL01A	9-1	F-HC5-08C32	2-6, 6-2	F-MB-18NR24	4-2	HC-138861	8-4
EC-100008	7-4	F-HC5-08C48	6-2	F-PCL-10X24	2-6	HC-138881	8-4
EC-100009	7-2	F-HC5-12C88	5-2	F-PCT-02X16	2-6	HC-138891	8-4
EC-100010	7-2	F-HC8-06C16	2-6	F-PCT-05X48	2-4	HC-138901	3-2, 8-2
EC-100164	7-4	F-HC8-07C44	8-2	F-PHM-#10C08	7-6	HC-139161	8-2
EC-100165	7-4	F-HC8-07C88	8-2	F-PHM-#10C16	7-1	HC-139171	8-2
EC-100557	7-2	F-HC8-08C36	4-2	F-PHM-#10C28	7-1	HC-139431	3-2
EC-100692	7-2	F-HC8-08C44	2-6	F-PHM-#6C06	7-1	HC-139451	3-2
EC-100693	7-4	F-HC8-08C48	4-2	F-PHM-04C24	7-1	HC-139461	3-2
EC-101874	7-2	F-HC8-08F20	2-4	F-PHM-04C36	7-1	HC-139471	3-2
EC-101876	7-2	F-HC8-10C24	3-4	F-PHMS-06C32	6-2	HC-139481	3-2
EC-101877	7-2	F-HC8-10C32	2-6, 3-4	F-SHC-#10C52	8-3	HC-139501	3-2
EC-138731	7-2	F-HC8-10C36	3-4	F-SHC-20M065E	3-4	HC-139511	3-2
EC-138781	7-2	F-HC8-10C80	2-6	F-SSS-04F04	8-2	HC-139871	8-3
EC-139301	7-4	F-HC8-12C112	5-2	F-SSS-06C08	2-4, 2-6	HC-139881	8-4
EC-139311	7-4	F-HC8-12C120	5-2	F-THC-#10C08	7-1	HC-139901	8-7
EC-139321	7-4	F-HC8-12C136	5-2	F-THM-06C16	2-6	HC-139911	8-7
EC-139331	7-4	F-HC8-12C144	5-2	F-THMS-04C08	2-6	HC-139921	8-7
EC-141741	7-4	F-HC8-12C160	5-2	F-THMS-05C16	2-6	HC-140011	8-2
EC-141751	7-4	F-HC8-12C56	5-2	F-UDS-#7X06	3-4	HC-140291	8-4
EC-141761	7-4	F-HC8-12C72	5-2	HA-A-10MO	8-7	HC-140361	8-2
EC-141771	7-4	F-HC8-12C88	5-2	HA-K-6MF6FF	8-7	HC-140411	8-4
EC-141781	7-4	F-HC8-12C96	5-2	HA-L-10MF10MO	8-7	HC-142151	3-2
EC-141791	7-4	F-HC8-16C44	4-2	HA-L-16MF12MO	8-7	HC-142731	8-4
EC-141801	7-4	F-HC8-16C72	4-2	HA-L-2FP2MP	8-8	HC-142761	8-4
EC-141811	7-4	F-HC8-20C40	2-4	HA-L-4MF4MO	8-7	HC-143951	8-4
EC-141821	7-4	F-HN-#10C	7-1	HA-L-6MF6MO	8-7	HC-143961	8-4
EC-141831	7-2	F-HN5-04C	2-6	HA-L-6MF8MO	8-7	HC-143971	8-4
EC-141891	7-2	F-HN5-06C	2-6	HA-L-6MO6MO	8-7	LA-101809	8-6
EC-141901	7-2	F-HN5-08C	2-6	HA-M-10FF10MF	8-7	LA-102097	8-6
EC-142121	7-2	F-HN8-07C	8-2	HA-M-12FF12MF	8-7	LA-102098	8-6
EC-143401	7-2	F-HN8-12C	5-2	HA-M-6FF6MF	8-7	LA-133102	8-5
EC-143411	7-2	F-HNF-#10C	7-1, 7-6	HA-NJ-2FN	8-8	LA-133322	8-6
ET-QC-20	7-4	F-HNF-04C	2-6, 7-1, 9-1	HA-Q-6MF6MO	8-7	LA-133331	8-6
ET-SP-16	7-4	F-HNF-05C	2-6, 6-2, 7-1, 8-3	HA-S-2FP2MN	8-8	LA-133341	8-6
ET-SP-20	7-4	F-HNF-06C	2-6, 6-2	HA-S-4MF4MO	8-7	LA-133351	8-6
ET-ST-20#10	7-4	F-HNF-12C	5-2	HA-S-6FO8MO	8-7	LA-133423	8-5
ET-ST-20#6	7-4	F-HNJ-05C	6-2	HA-S-6MF8MO	8-7	LA-133433	8-5
ET-ST-2004	7-4	F-HNN-10C	2-6	HA-T-4MF4MO	8-7	LA-133461	8-6
F-CB-06C20	2-6	F-HNN-12C	2-6	HC-100706	2-2, 8-2	LA-133471	8-6
F-CB-10C40	2-6	F-HNS-05F	2-2, 2-6	HC-101021	8-4	LA-133481	8-6
F-EB-04C20	2-6	F-HNS-06C	2-6	HC-101022	8-4	LA-139381	8-5
F-FHS-05F10	2-6	F-HNS-08C	2-4, 4-2, 6-2	HC-101264	8-4	LA-139391	8-5
F-FHS-05F20	2-2, 2-6	F-HNS-10C	2-6, 3-4	HC-101842	3-2, 8-2	LA-139401	8-5
F-FW-04	9-1	F-HNS-16C	4-2	HC-101843	8-2	LA-139411	8-5
F-FW-12	5-2	F-HNS-20C	2-4	HC-102082	8-4	LA-139421	8-5
F-FWH-06	2-6	F-HNSF-08C	2-6	HC-103227	3-2, 8-2	LA-139571	8-5
F-FWH-10	2-6, 3-4	F-LW-#10	8-3	HC-133112	3-2	LA-139581	8-5
F-FWH-12	2-6, 5-2	F-LW-04	2-6, 7-1	HC-133541	3-2	LA-139591	8-5
F-HC-20M065E	3-4	F-LW-05	6-2	HC-133891	8-8	LA-139601	8-5
F-HC5-04C12	7-1, 9-1	F-LW-06	2-6, 3-4	HC-134191	2-2, 8-2	LA-139611	8-5
F-HC5-04C16	9-1	F-LW-07	8-2	HC-134201	3-2, 8-2	LA-140021	8-5
F-HC5-04C20	2-6	F-LW-08	2-6, 3-4	HC-134251	3-2, 8-2	LA-140031	8-5
F-HC5-05C12	6-2, 7-1	F-LW-12A	5-2	HC-134911	8-2	LA-141951	9-1
F-HC5-06C12	2-6	F-LWE-04	7-1	HC-135761	8-8	LA-142141	8-6
F-HC5-06C14	3-4	F-LWH-07	8-2	HC-135771	8-8	LA-143381	7-2
F-HC5-06C20	2-6, 6-2	F-LWH-08	2-4	HC-135881	8-8	LA-143391	7-2
F-HC5-08C104	2-4	F-LWH-20M	3-4	HC-137891	8-2	LA-217692	3-2
F-HC5-08C16	3-4	F-MB-12WR18	2-6	HC-137901	8-2	LA-220631	2-4

Model 2800 Hillco Leveling System
 For Serial Numbers 2800-1201 thru 2800-1299
PART NUMBER INDEX (CONTINUED)

PART NUMBER	PAGE NUMBER		PART NUMBER	PAGE NUMBER		PART NUMBER	PAGE NUMBER
LA-220641	2-4		LL20-100782	9-1		LM-255331	7-2
LA-220651	2-4		LL20-100783	9-1		LM-255341	7-2
LA-220661	2-4		LL20-100784	9-1		LM-262811X	2-2
LA-225411	2-2		LL20-100785	9-1		LP-103871	3-2
LA-226101	4-2		LL20-100786	9-1		LP-104791	2-2
LA-226852	2-2		LL20-100787	9-1		LP-213242	2-2
LA-226901	5-2		LL20-100788	9-1		LP-213252	2-2
LA-226991	4-2		LL20-101868	7-2, 9-1		LP-218371	2-2
LA-227101	2-2		LL20-101869	7-2, 9-1		LP-249182	3-2, 7-2
LA-227243	3-2		LM-207631	7-2		LP-249321	3-2
LA-227253	3-2		LM-212561	5-2		LS-207011	2-2
LA-227263	3-2		LM-213202	2-2		LS-212701	2-2
LA-228761	4-2		LM-213291	2-2		LS-225321	2-2
LA-229071	2-2, 3-2		LM-218501	2-4		LS-226961	2-4
LA-230551	3-2		LM-219501	7-2		LS-234221	2-2
LA-234251	2-2		LM-221603	2-2		LS-244471	2-2, 2-4
LA-235472	7-2, 7-6		LM-225311	2-2		LS-257951	2-4
LA-236731	7-2, 7-6		LM-225522	2-2		LP-263111	2-2
LA-238131	6-2		LM-225531	2-2		MC-100237	2-2
LA-240111	2-4		LM-225541	2-2		MC-100548	2-2
LA-240121	2-4		LM-226061	4-2		MC-100760	2-2
LA-241131	3-2		LM-226532	2-2, 2-4		MC-100762	2-2
LA-243691	2-2		LM-226631	3-2		MC-101339	2-2
LA-243711	2-2		LM-226831	2-2		MC-101342	9-1
LA-245191	2-2		LM-226841	2-2		MC-101343	9-1
LA-248851	6-2		LM-234101	4-2		MC-101838	2-2
LA-248871	6-2		LM-234152	2-2		MC-101839	2-2
LA-248881	6-2		LM-235481	2-4		MC-133711	5-2
LA-249052	7-6		LM-238091	2-2		MC-134931	6-2
LA-249062	7-6		LM-243792	2-2		MC-134941	6-2
LA-249072	7-6		LM-243801	2-2		MC-135491	2-2
LA-249092	7-6		LM-243821	2-2		MC-135501	2-2
LA-249102	7-6		LM-243831	2-2		MC-135511	2-2
LA-249112	7-2		LM-243841	2-2		MC-136921	2-2, 2-4
LA-255631	7-6		LM-245431	4-2		MC-137251	3-2
LA-255821	7-2, 7-6		LM-248821	6-2		MC-137441	2-2
LA-255941	3-2, 9-1		LM-248831	6-2		MC-137501	3-2
LA-259751	6-2		LM-249041	8-4		MC-139251	6-2
LA-259781	2-2		LM-249701	8-3, 8-4		MC-139341	2-2
LA-261721	7-6		LM-250111	8-4		MC-139351	2-2
LL-133731	9-1		LM-250121	8-4		MC-139361	2-2
LL-143381	9-1		LM-250131	8-4		MC-139371	2-2
LL-143391	9-1		LM-254521	2-2			