



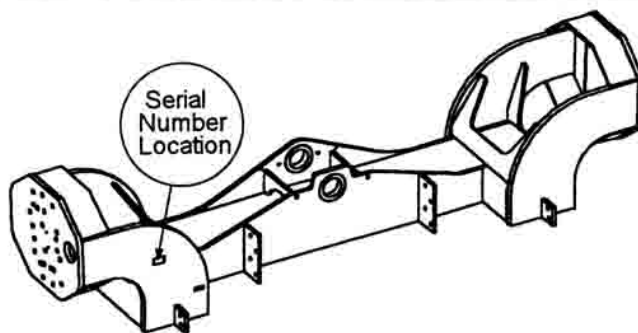
Model 2000H Leveling System Parts Book

SN 280H-1001 through 280H-1081

GENERAL INFORMATION	1-2
TRANSITION	2-1
Early Model Transition.....	2-1
Late Model Transition (SN 1043-1068).....	2-5A
Late Model Transition (SN 1069-1081).....	2-9A
Slip Clutch	2-13A
CARRIAGE.....	3-1
Overcarriage and Undercarriage	3-1
Overcarriage and Undercarriage Fasteners.....	3-3
Y-BRACE.....	4-1
Y-Brace Asm.....	4-1
REAR AXLE	5-1
Drop Axle Asm.....	5-1
LADDER	6-1
Linear Ladder.....	6-1
Slide Ladder.....	6-2
ELECTRICAL.....	7-1
Control Box and Components	7-1
Cables and Wires.....	7-3
HYDRAULIC	8-1
Reservoirs	8-1
Manifold Asm.....	8-3
Pump Drive Asm.....	8-5
Drive-Thru Pump Asm.....	8-5
Non Drive-Thru Pump Asm	8-7
Compensator	8-9
Directional Control Valve Detail.....	8-10
Header Trim Relief and Anti-Cavity Check Detail.....	8-11
MISCELLANEOUS	9-1
Shields, Hose Clamps, and Decals.....	9-1
PART NUMBER INDEX	10-1

2000H Serial Number Information			
280H-1001	Thru	280H-1014	February 1998
280H-1015	Thru	280H-1030	April 1998
280H-1031	Thru	280H-1039	July 1998
280H-1040	Thru	280H-1042	January 1999
280H-1043	Thru	280H-1052	April 1999
280H-1053	Thru	280H-1063	May 1999
280H-1064	Thru	280H-1078	March 2000
280H-1079	Thru	280H-1081	June 2000

CASE-IH 2188 Serial Number Break	
Early	Before SN JJC0193725
Late	SN JJC0193725 and After



Text Format and Illustrations

The arrangement of this parts catalog is for easy identification of parts. All parts are illustrated in exploded views in proper relation to each other. Reference numbers used in the illustrations refer to line numbers in the part lists for each grouping. The part lists reference number, part number, part description and the quantity required per leveling system. Some part lists also include the page numbers of additional part breakdown information and reference the location of the part on the combine.

Abbreviations

SN “Serial Number”

ASM “Assembly” refers to a permanent grouping of parts not sold separately.

NSS “Not Sold Separately” refers to items depicted in illustrations that are not available to be purchased.

NS “Not Shown” refers to a part that is not depicted in the illustration.

Right and Left Identification

The reference to right-hand and left-hand in this catalog is identified by the operator standing at the rear of the machine looking toward the front of the machine (in normal forward travel).

Catalog Revisions and Supplements

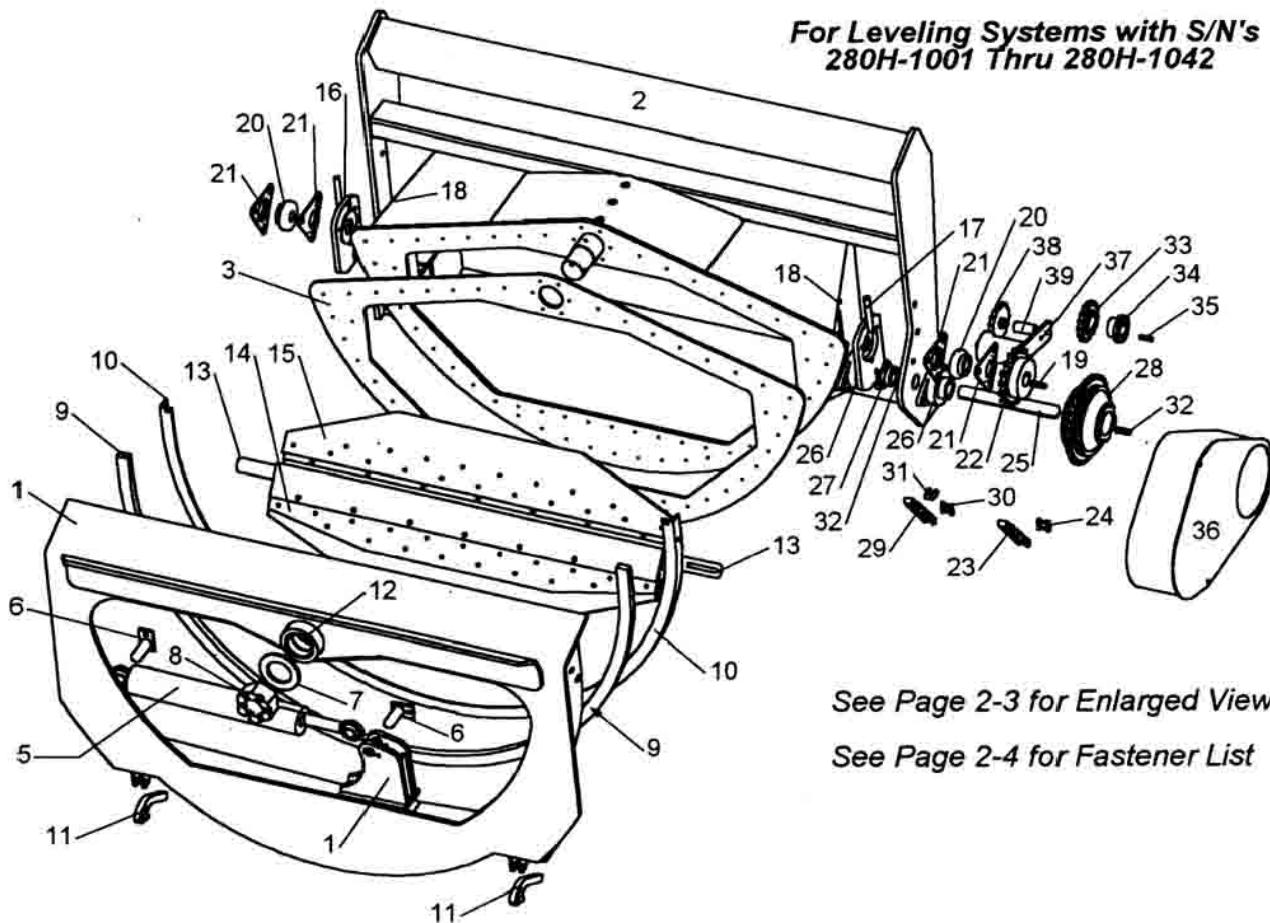
Changes to the product may make it necessary to revise or add pages to this catalog. A cover sheet will list all pages released in a revision or supplement. All revised and new pages must be put into the parts catalog as soon as they are received.

Parts Orders

Orders must specify product model, serial number, correct part number, complete description, quantity required, method of shipment, shipping address, and billing address.

2000H Serial Number Information			
280H-1001	Thru	280H-1014	February 1998
280H-1015	Thru	280H-1030	April 1998
280H-1031	Thru	280H-1039	July 1998
280H-1040	Thru	280H-1042	January 1999
280H-1043	Thru	280H-1052	April 1999
280H-1053	Thru	280H-1063	May 1999
280H-1064	Thru	280H-1078	March 2000
280H-1079	Thru	280H-1081	June 2000

CASE-IH 2188 Serial Number Break	
Early	Before SN JJC0193725
Late	SN JJC0193725 and After

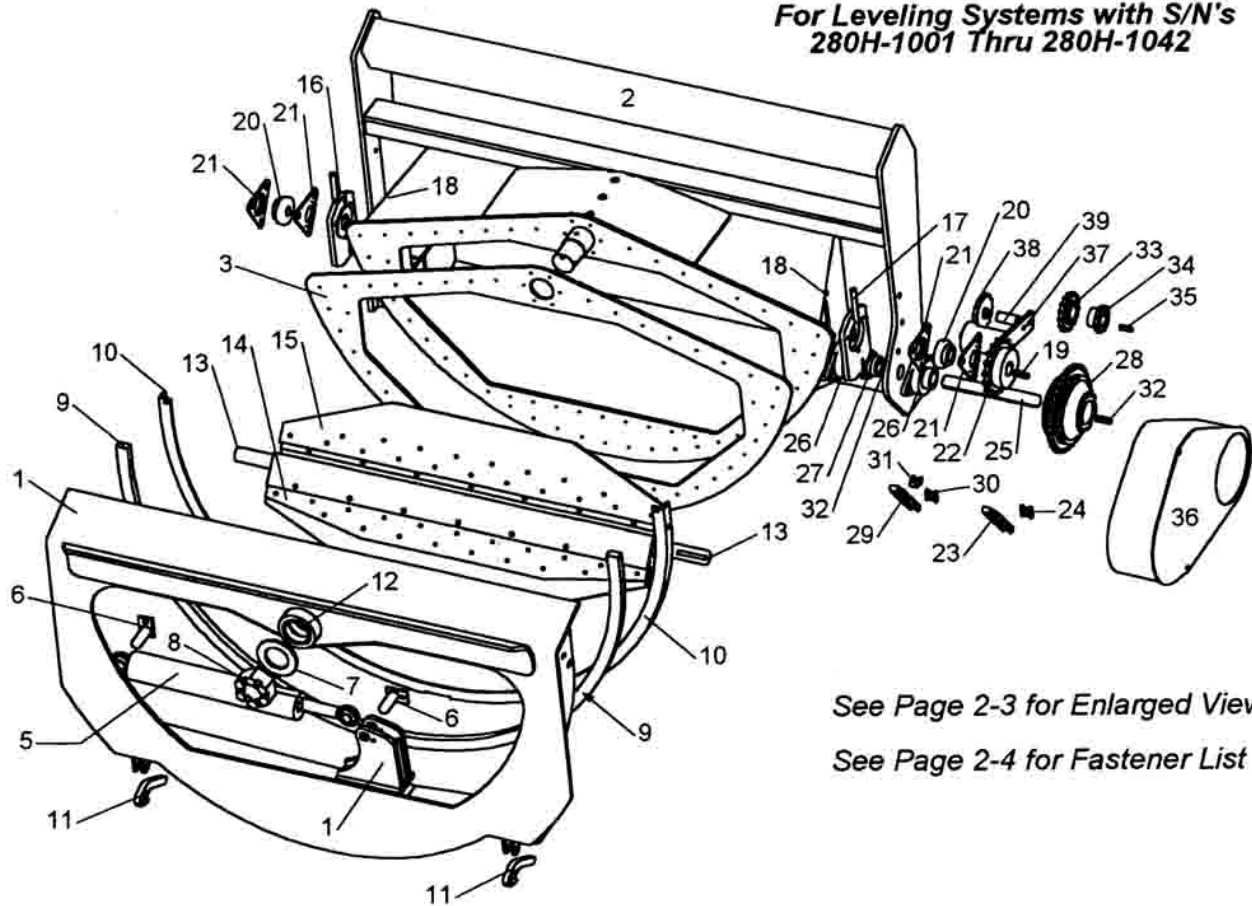


1001 - 1014	1015 - 1030	1031 - 1039	1040 - 1042	REF.	MODEL	Qty.	PART NO.	DESCRIPTION
X	X	X	X	1		1	L20A-10048401	ADAPTER, TRANSITION HEADER ASM
X						1	L20A-10122001	ADAPTER, TRANSITION HEADER ASM
	X	X	X	2		1	L20A-10048501	THROAT, TRANSITION ASM
X						1	L20A-10122601	THROAT, TRANSITION ASM
X	X	X	X	3		1	MFL20-10048301	PLATE, TRANSITION THROAT WEAR
X	X	X	X	4		1	L20A-10048601	MOUNT, TRANSITION HEADER ADAPTER ROD ASM
X	X	X	X	5		1	HC-10070601	CYLINDER, SLAVE
X	X	X	X	6		2	L20A-10048901	PIN, TRIM CYLINDER ASM
X	X	X	X	7		1	MFL20-10064301	WASHER, TRANSITION THROAT PIVOT PIN
X	X	X	X	8		1	MFL20-10064401	NUT, TRANSITION THROAT PIVOT HEX
X	X	X	X	9		1	MFL20-10048201	PAD, TRANSITION HEADER ADAPTER BACKING WEAR
X	X	X	X	10		1	MFL20-10045501	ANGLE, TRANSITION HEADER ADAPTER BACKING
X	X	X	X	11		2	MFL20-10071601	ARM, TRANSITION HEADER ADAPTER HEADER LOCK
X	X	X	X	12		1	MFL20-10078001	BUSHING, TRANSITION HEADER ADAPTER PIVOT
BEATER SHAFT								
X	X	X	X	13		1	L20A-10048701	BEATER, TRANSITION ASM
X	X	X	X	14		2	MFL20-10047801	PLATE, TRANSITION BEATER PADDLE BACKING
X	X	X	X	15		2	MC-10047901	PADDLE, TRANSITION BEATER
X	X	X	X	16		1	L20A-10131201	MOUNT, BEATER BEARING RIGHT ASM
X	X	X	X	17		1	L20A-10131101	MOUNT, BEATER BEARING LEFT ASM
X	X	X	X	18		2	MFL20-10128501	TIGHTENER, TRANSITION THROAT UPPER CHAIN
X	X	X	X	19		1	MFL20-10127001	KEY, #60 AND #80 SPROCKET
X	X	X	X	20		2	MC-10133701	INSERT, BEARING, 1-7/16
X	X	X	X	21		2	MC-10054701	FLANGETTES, ROUND PAIR
X	X	X	X	22		1	MC-10188101	SPROCKET, 17T, 80P, 1-7/16B
X	X	X	X	23		1	MFL20-10179301	CHAIN, 24 PIN, 80P
X	X	X	X	24		1	MC-10133301	LINK, CONNECTING, 80P

Early Model Transition

Hillco Model 2000H Leveling System

For Leveling Systems with S/N's
280H-1001 Thru 280H-1042



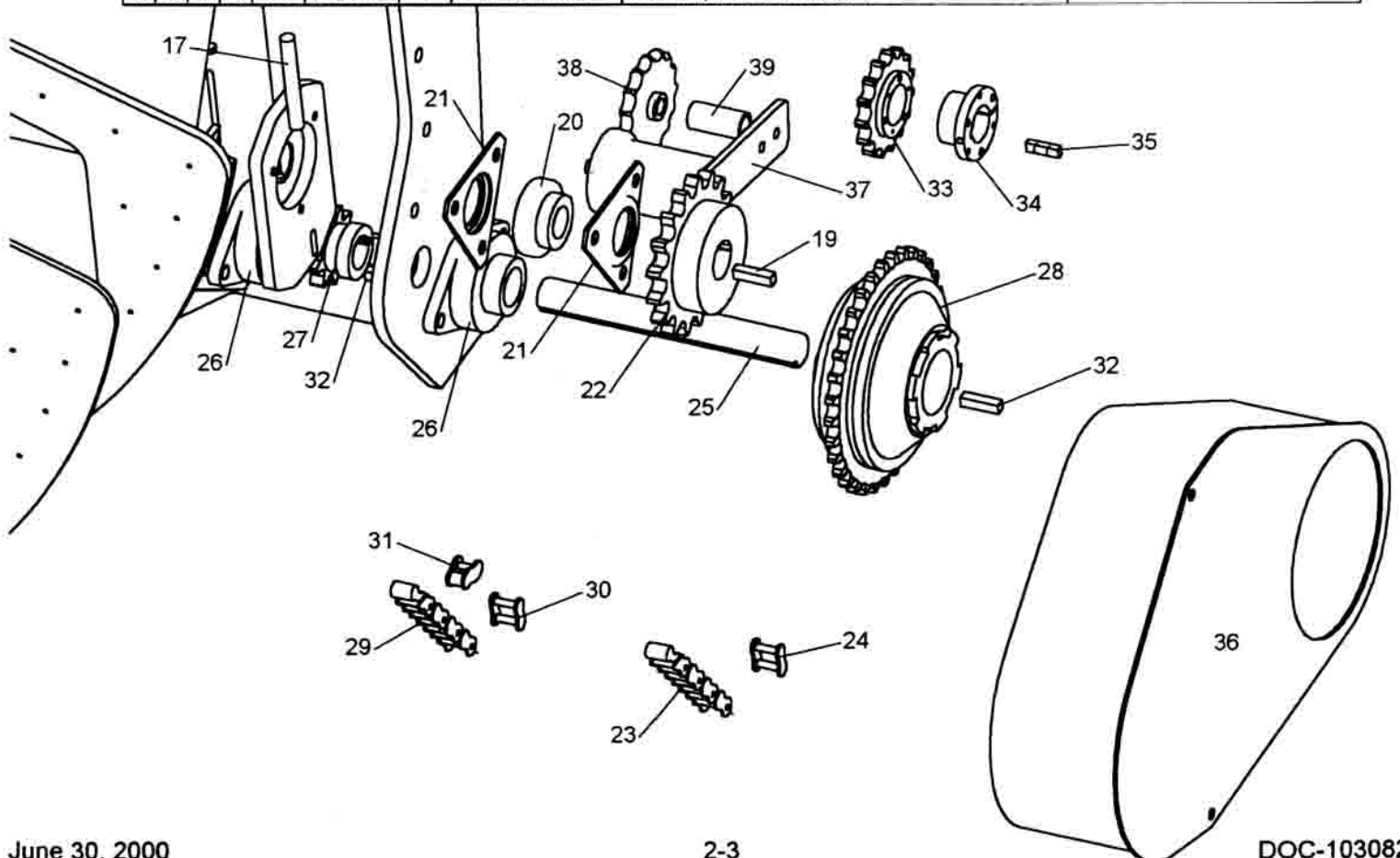
See Page 2-3 for Enlarged View

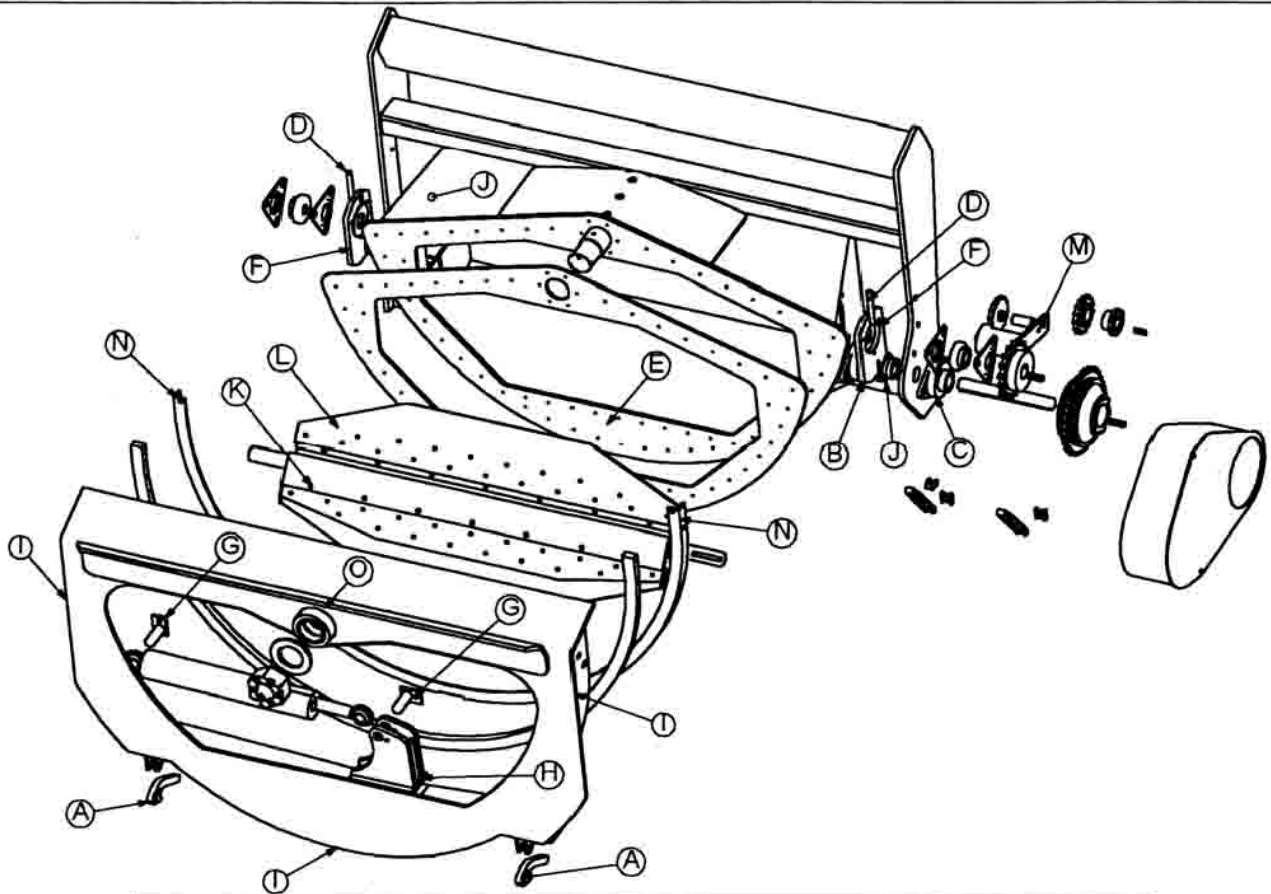
See Page 2-4 for Fastener List

1001 - 1014	1015 - 1030	1031 - 1039	1040 - 1042	REF.	MODEL	QTY.	PART NO.	DESCRIPTION	
TRANSITION THROAT JACK SHAFT									1-1/4"
X	X	X	X	25		1	MFL20-10131301	SHAFT, TRANSITION THROAT JACK	
X	X	X				1	MFL20-10049701	SHAFT, TRANSITION THROAT JACK	* UPDATED BY MFL20-10131301
X	X	X	X	26		2	MC-10054501	BEARING, 2 BOLT FLANGE MOUNT	
X	X	X	X	27		1	MC-10188201	SPROCKET, 9T, 80P, 1-1/4B	
X	X	X	X	28		1	MC-10114501	SLIP CLUTCH ASM, 50 TT, 1-1/4B	SEE PAGE 2-13
X	X	X	X	29		1	MFL20-10076601	CHAIN, 50 PIN, 60P	
X	X	X	X	30		1	MC-10023901	LINK, CONNECTING, 60P	
X	X	X	X	31		1	MC-10024001	LINK, HALF, 60P	
X	X	X	X	32		2	MFL20-10127001	#60 AND #80 SPROCKET KEY	
FEEDER HOUSE BEATER DRIVE									
X	X	X	X	33		1	MC-10076001	SPROCKET, 15T, 60P, QD	
X	X	X	X	34	16-2100E	1	MC-10076201	BUSHING, TAPER LOCK, QD, 1-1/2	
X	X	X	X		21L-2300	1	MC-10076101	BUSHING, TAPER LOCK, QD, 1-3/8	
X	X	X	X	35	16-2100E	1	MFL20-10077701	KEY, FEEDER HOUSE BTR DRV SPRKT	
X	X	X	X		21L-2300	1	MFL20-10068701	KEY, FEEDER HOUSE BTR DRV SPRKT	
X	X	X	X	36		1	MFL26-10177401	SHIELD, BEATER DRIVE	
TENSIONER									
X	X	X	X	37		1	MC-10054601	TENSIONER	
X	X	X	X	38		1	MC-10023701	SPROCKET, IDLER, 15T, 60P, 5/8B	
X	X	X	X	39	21L-2300	1	MFL20-10070101	SPACER, DRIVE SPROCKET	

Transition Drive Component Detail

1001 - 1014	1015 - 1030	1031 - 1039	1040 - 1042	REF.	MODEL	QTY.	PART NO.	DESCRIPTION
BEATER SHAFT								
X	X	X	X	17		1	L20A-10131101	MOUNT, BEATER BEARING LEFT ASM
X	X	X	X	18		2	MFL20-10128501	TIGHTENER, TRANSITION THROAT UPPER CHAIN
X	X	X	X	19		1	MFL20-10127001	KEY, #60 AND #80 SPROCKET
X	X	X	X	20		2	MC-100548	INSERT, BEARING, 1-7/16 (non-relube)
X	X	X	X	21		2	MC-10054701	FLANGETTE ² PAIR
X	X	X	X	22		1	MC-10188101	SPROCKET, 17T, 80P, 1-7/16B
X	X	X	X	23		1	MFL20-10179301	CHAIN, 24 PIN, 80P
X	X	X	X	24		1	MC-10133301	LINK, CONNECTING, 80P
TRANSITION THROAT JACK SHAFT								
X	X	X	X	25		1	MFL20-10131301	SHAFT, TRANSITION THROAT JACK 1-1/4"
X*	X*	X*				1	MFL20-10049701	SHAFT, TRANSITION THROAT JACK * UPDATED BY MFL20-10131301
X	X	X	X	26		2	MC-10054501	BEARING, 2 BOLT FLANGE MOUNT
X	X	X	X	27		1	MC-10188201	SPROCKET, 9T, 80P, 1-1/4B
X	X	X	X	28		1	MC-10114501	SLIP CLUTCH ASM, 50 TT, 1-1/4B SEE PAGE 2-13
X	X	X	X	29		1	MFL20-10076601	CHAIN, 50 PIN, 60P
X	X	X	X	30		1	MC-10023901	LINK, CONNECTING, 60P
X	X	X	X	31		1	MC-10024001	LINK, HALF, 60P
X	X	X	X	32		2	MFL20-10127001	#60 AND #80 SPROCKET KEY
FEEDER HOUSE BEATER DRIVE								
X	X	X	X	33		1	MC-10076001	SPROCKET, 15T, 60P, QD
X	X	X	X	34	16-2100E	1	MC-10076201	BUSHING, TAPER LOCK, QD, 1-1/2
X	X	X	X		21L-2300	1	MC-10076101	BUSHING, TAPER LOCK, QD, 1-3/8
X	X	X	X	35	16-2100E	1	MFL20-10077701	KEY, FEEDER HOUSE BTR DRV SPRKT
X	X	X	X		21L-2300	1	MFL20-10068701	KEY, FEEDER HOUSE BTR DRV SPRKT
X	X	X	X	36		1	MFL26-10177401	SHIELD, BEATER DRIVE
TENSIONER								
X	X	X	X	37		1	MC-10054601	TENSIONER
X	X	X	X	38		1	MC-10023701	SPROCKET, IDLER, 15T, 60P, 5/8B
X	X	X	X	39	21L-2300	1	MFL20-10070101	SPACER, DRIVE SPROCKET

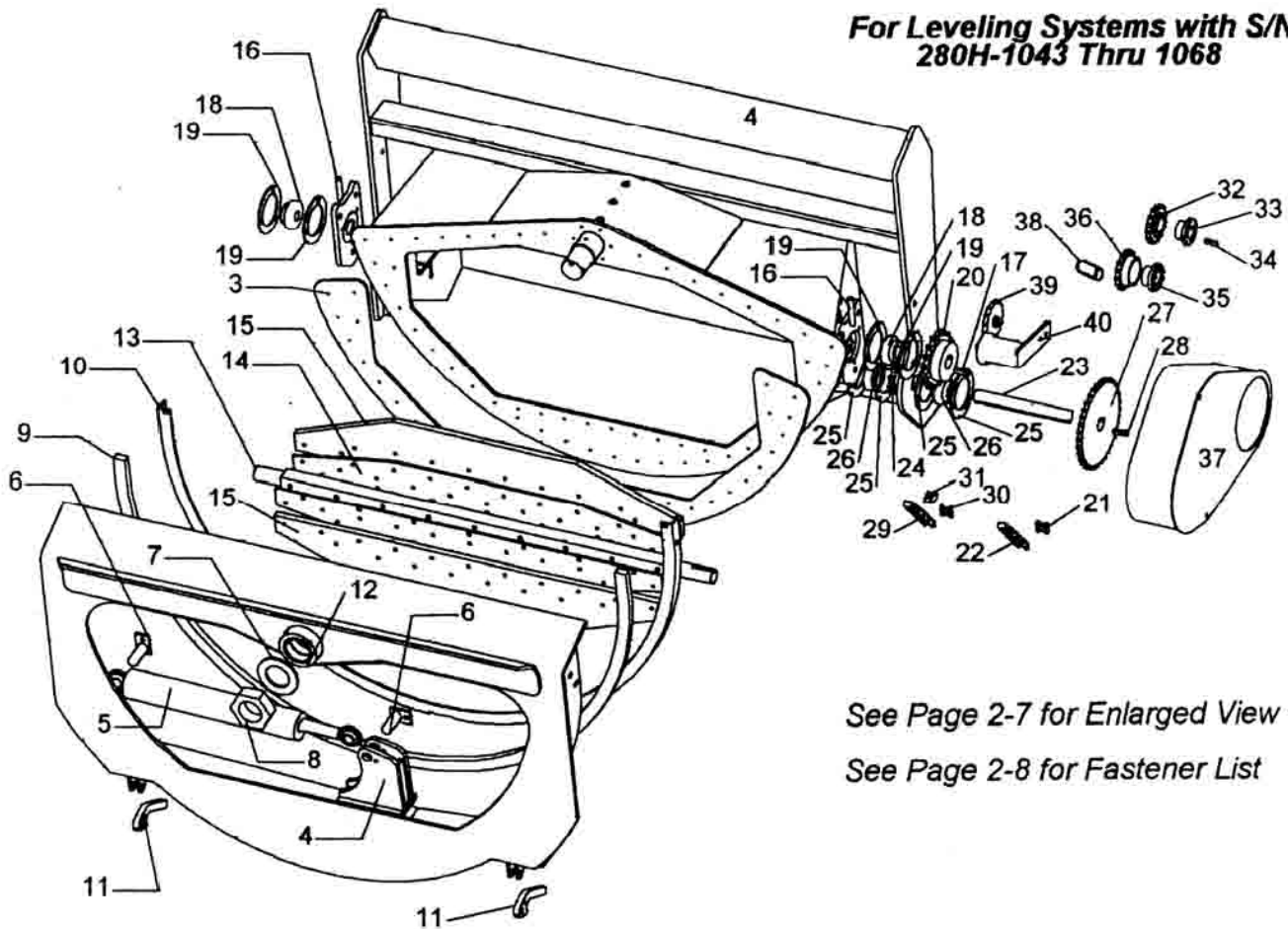




FASTENERS

MODEL	QTY.	PART NO	DESCRIPTION	WHERE USED
A	2	F-PCL-10X24	CLEVIS PIN, 5/8 x 1-1/2	HEADER LOCK ARM
A	2	F-PCT-02X16	COTTER PIN 1/8 x 1	HEADER LOCK ARM
B	3	F-HCS-06C14	HC5 3/8-16 X 7/8	INNER 3 BOLT PB BEARING
B	3	F-LW-06	LW 3/8	INNER 3 BOLT PB BEARING
B	2	F-MB-26X15X14	MACHINE BUSHING, 1-5/8 x 3-1/8	INNER 3 BOLT PB BEARING
C	3	F-HCS-06C20	HC5 3/8-16 X 1-1/4	OUTER 3 BOLT PB BEARING
C	3	F-HN5-06C	HN5 3/8-16	OUTER 3 BOLT PB BEARING
C	3	F-LW-06	LW 3/8	OUTER 3 BOLT PB BEARING
D	4	F-HNJ-08C	HN 1/2-13, JAM	BEATER BEARING TAKE-UP BELT
E	58	F-FHS-#10C08	FHSC #10-24 X 1/2	TT FACE PLT
F	6	F-CB-08C28	CARRIAGE BOLT, 1/2-13 x 1-3/4	TT BEATER BEARING MNT PLT
F	6	F-HN5-08C	HN5 1/2-13	TT BEATER BEARING MNT PLT
F	6	F-LW-08	LW 1/2	TT BEATER BEARING MNT PLT
F	6	F-HCS-06C14	HC5 3/8-16 X 7/8	TT BEATER BEARING MNT PLT
F	6	F-LW-06	LW 3/8	TT BEATER BEARING MNT PLT
G	2	F-HCS-06C12	HC5 3/8-16 X 3/4	SLAVE CYLINDER MOUNT PIN
G	2	F-LW-06	LW 3/8	SLAVE CYLINDER MOUNT PIN
H	3	F-HC8-10C32	HC8 5/8-11 X 2	ROD MOUNT
H	3	F-HN8-10C	HN8 5/8-11	ROD MOUNT
H	3	F-LW-10A	LW 5/8 HD	ROD MOUNT
I	10	F-HCS-06C20	HC5 3/8-16 X 1-1/4	BACKING ANGLE
I	10	F-HN5-06C	HN5 3/8-16	BACKING ANGLE
I	10	F-LW-06	LW 3/8	BACKING ANGLE
I	10	F-FWH-06	FW 3/8 HD	BACKING ANGLE
J	2	F-HCS-08C32	HC5 1/2-13 X 2	TRANSITION MNT
J	2	F-HN5-08C	HN5 1/2-13	TRANSITION MNT
J	2	F-LW-08	LW-1/2	TRANSITION MNT
K	9	F-HC8-06C40	HC8 3/8-16 X 2-1/2	BEATER BACKING PLT MNT
K	9	F-HN8-06C	HN8 3/8-16	BEATER BACKING PLT MNT
K	9	F-LW-06	LW 3/8	BEATER BACKING PLT MNT
L	38	F-EB-04C20	ELEVATOR BOLT, 1/4-20 x 1-1/4	PADDLE MOUNT
L	38	F-HNF-04CA	HN 1/4-20 X 1-1/4, FLNG., SERR.	PADDLE MOUNT
M	1	F-HCS-08C20	HC5 1/2-13 X 1-1/4	OUTER ROSTA TENSIONER
M	1	F-LW-08	LW 1/2	OUTER ROSTA TENSIONER
M	1	F-HCS-10C56	HC5 5/8-11 X 3-1/2	OUTER ROSTA TENSIONER
M	3	F-HN5-10C	HN5 5/8-11	OUTER ROSTA TENSIONER
M	1	MC-10132701	BOLT SPACER, 5/8	OUTER ROSTA TENSIONER
N	2	F-RHM-06C40	RHMS 3/8-16 X 2-1/2	UHMW WEAR PAD
N	2	F-HNN-06C	HN 3/8-16, NYLOCK	UHMW WEAR PAD
O	1	F-SS-06C08	SET SCREW, 3/8-16 x 1/2	MAIN PIVOT PIN
O	1	F-PZS-02	PIPE ZERK, 1/8 NPT	MAIN PIVOT PIN

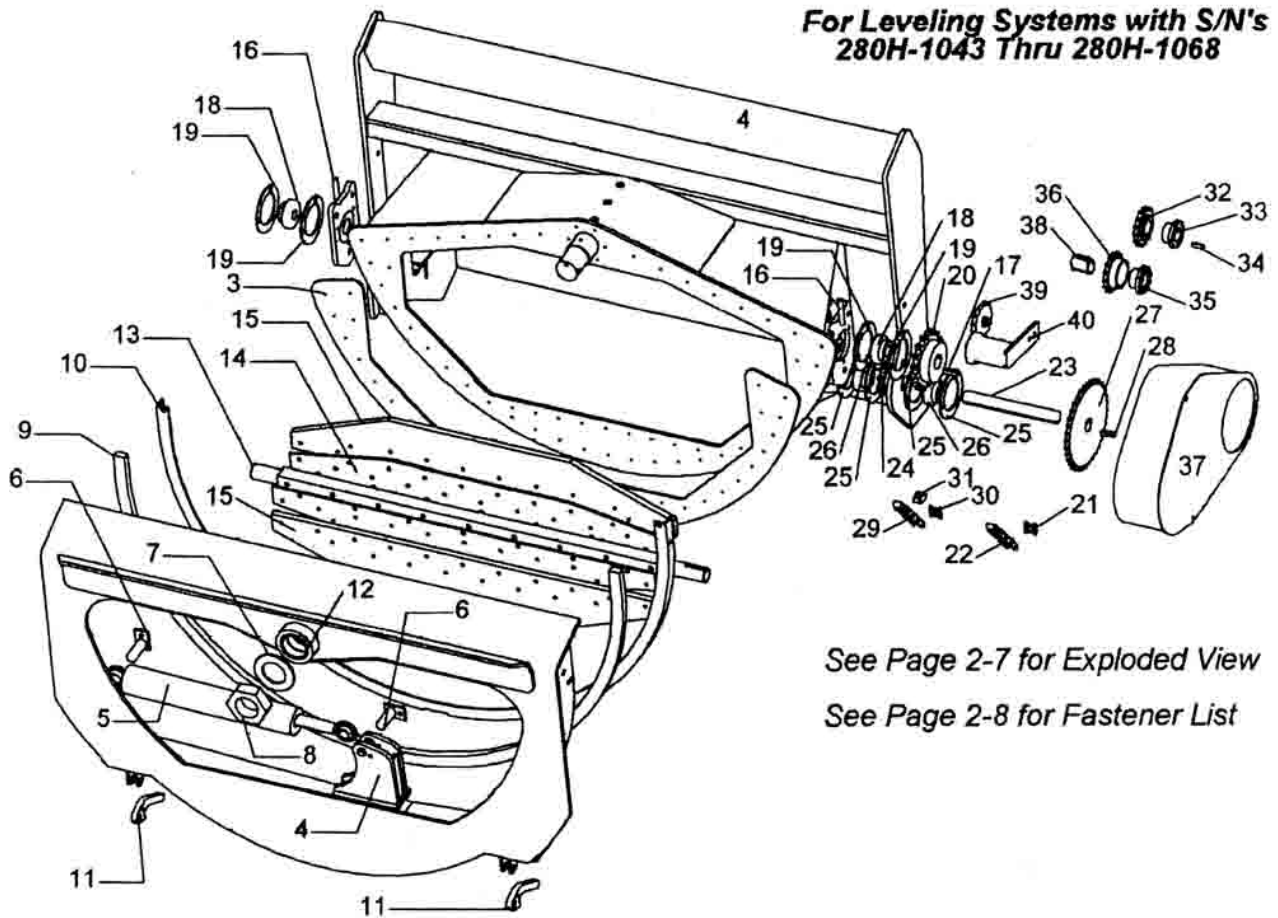
Late Model Transition (SN 1043-1068) Hillco Model 2000H Leveling System



For Leveling Systems with S/N's
280H-1043 Thru 1068

See Page 2-7 for Enlarged View
See Page 2-8 for Fastener List

1043 - 1052	1053 - 1063	1064 - 1068	REF.	MODEL	QTY.	PART NO.	DESCRIPTION
X	X	X	1		1	L20A-10128801	ADAPTER, TRANSITION HEADER ASM
X	X	X	2		1	L20A-10128901	THROAT, TRANSITION ASM
X	X	X	3		1	MFLCC-101836	PLATE, TRANSITION THROAT WEAR
X	X	X	4		1	L20A-10130901	MOUNT, TRANSITION HEADER ADAPTER ROD ASM
X	X	X	5		1	HC-10070601	CYLINDER, SLAVE
X	X	X	6		2	L20A-10105401	SEAL KIT, MASTER AND SLAVE CYLINDER
X	X	X	7		1	L20A-10048901	PIN, TRIM CYLINDER ASM
X	X	X	8		1	MFL20-10126601	WASHER, TRANSITION THROAT PIVOT PIN
X	X	X	9		1	MFL20-101326	NUT, TRANSITION THROAT PIVOT HEX
X	X	X	10		1	MFL20-10127101	PAD, TRANSITION HEADER ADAPTER BACKING WEAR
X	X	X	11		1	MFL20-10127201	ANGLE, TRANSITION HEADER ADAPTER BACKING
X	X	X	12		2	MFL20-10132901	ARM, TRANSITION HEADER ADAPTER HEADER LOCK
X	X	X	12		1	MFL20-10078001	BUSHING, TRANSITION HEADER ADAPTER PIVOT
BEATER SHAFT							
X	X	X	13		1	MFL20-10126201	SHAFT, TRANSITION BEATER
X	X	X	14		2	MFL20-10132001	PLATE, TRANSITION BEATER PADDLE BACKING
X	X	X	15		2	MC-10047901	PADDLE, TRANSITION BEATER
X	X	X	16		2	L20A-10129001	PLATE, BEATER BEARING MNT ASM
X	X	X	17		1	MFL20-10127001	#80 AND #60 SPROCKET KEY
X	X	X	18		2	MC-10133701	INSERT, BEARING, 1-7/16
X	X	X	19		2	MC-10133901	FLANGETTES, ROUND PAIR
X	X	X	20		1	MC-10133601	SPROCKET, 16T, 80P, 1-7/16B, 3/8K, HD
X	X	X	21		1	MC-10133301	LINK, CONNECTING, 80P
X	X	X	22		1	MFL20-10132401	CHAIN, 30 PIN, 80P



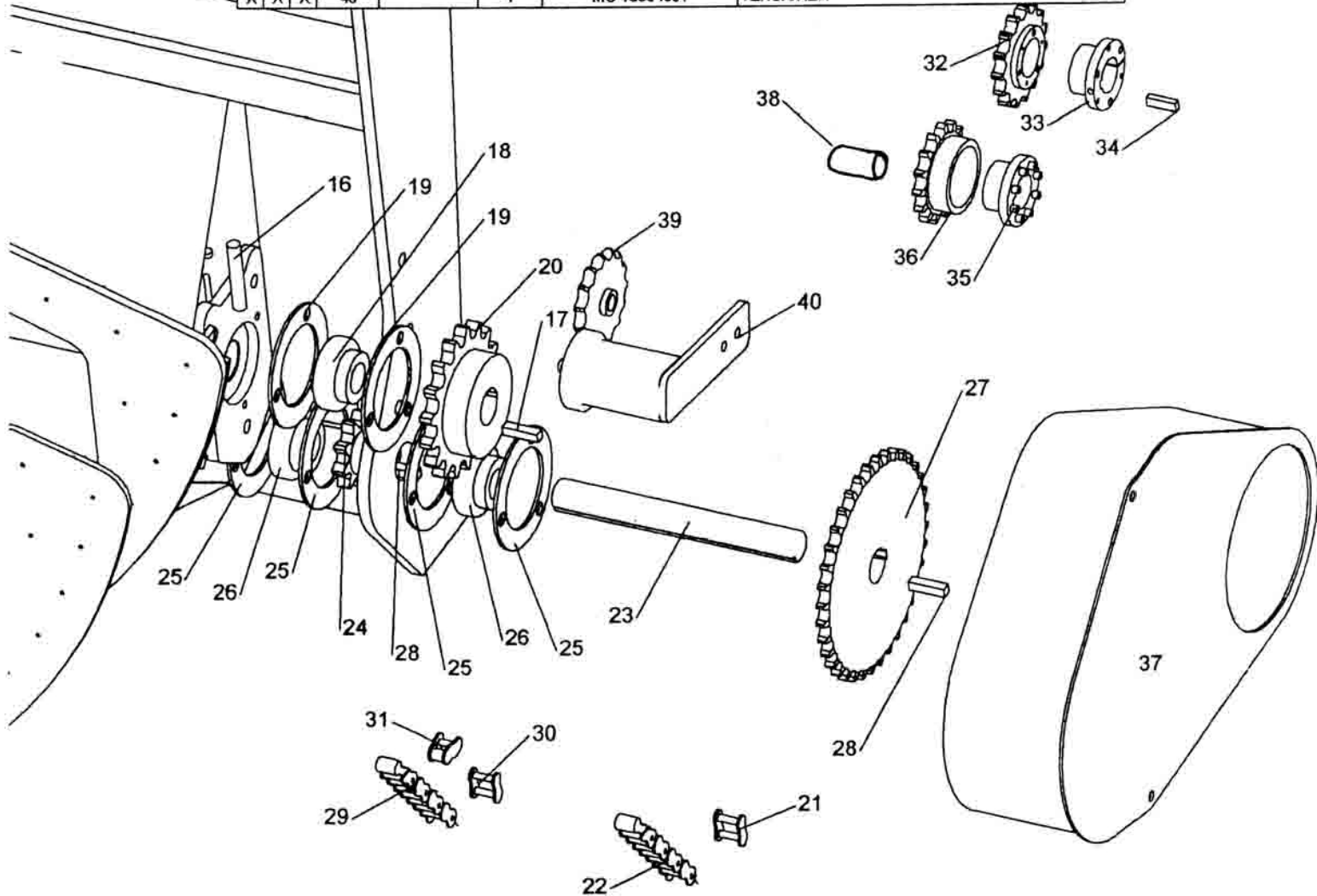
For Leveling Systems with S/N's
280H-1043 Thru 280H-1068

See Page 2-7 for Exploded View
See Page 2-8 for Fastener List

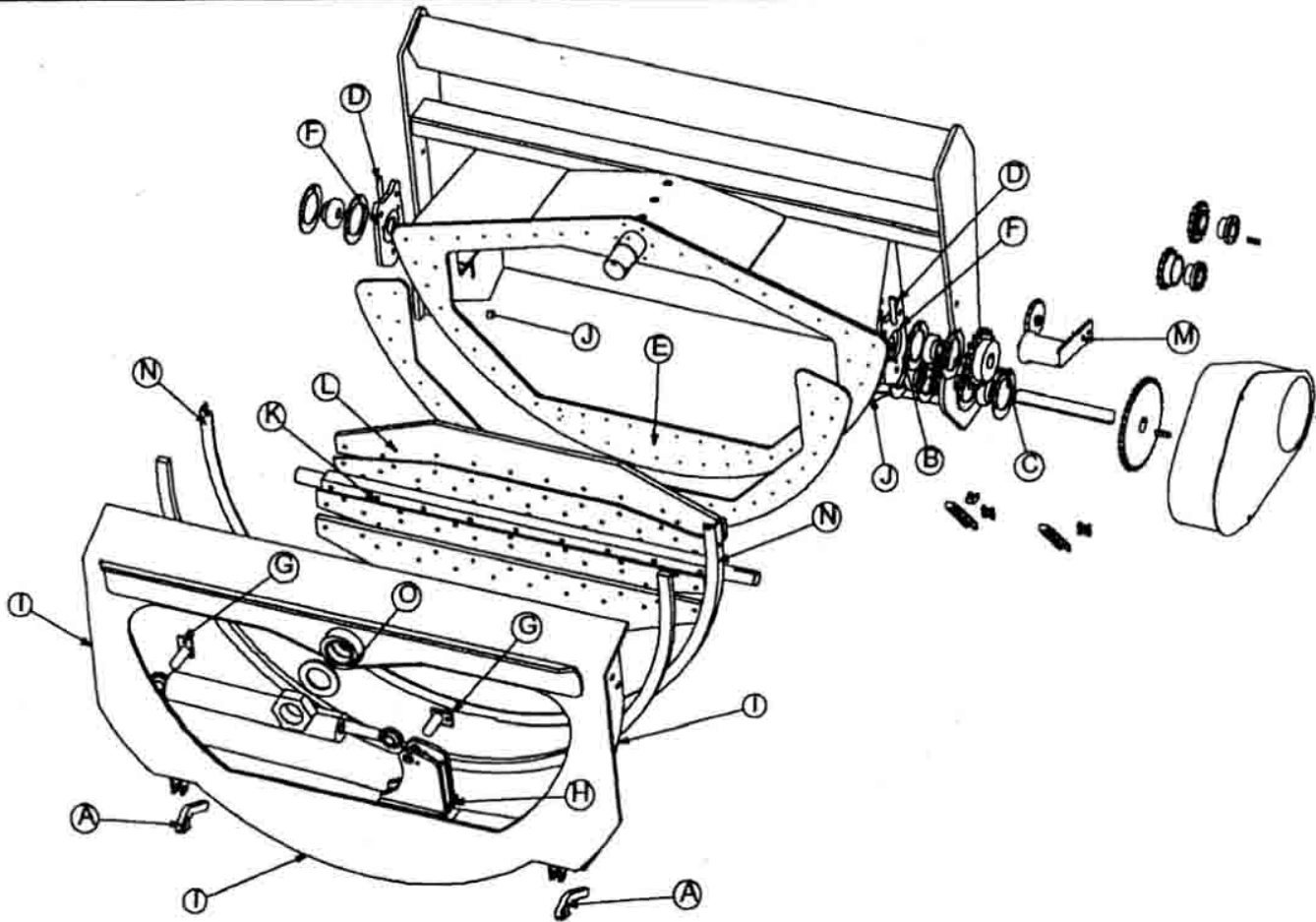
1043 - 1052	1053 - 1063	1064 - 1068	REF.	MODEL	QTY.	PART NO.	DESCRIPTION
TRANSITION THROAT JACK SHAFT							
X	X	X	23		1	MFL20-10127901	SHAFT, TRANSITION THROAT JACK
X	X	X	24		1	MC-10133101	SPROCKET, 12T, 80P, 1-3/8B, HD
X	X	X	25		2	MC-10133901	FLANGETTES, ROUND PAIR
X	X	X	26		2	MC-10133001	INSERT, BEARING, 1-3/8
X	X	X	27		1	MC-10132901	SPROCKET, 36T, 60P, 1-3/8B
X	X	X	28		1	MFL20-10127001	KEY, #60 AND #80 SPROCKET
X	X	X	29		1	MFL20-10132501	CHAIN, 62 PIN, 60P
X	X	X	30		1	MC-10023901	LINK, CONNECTING, 60P
X	X	X	31		1	MC-10024001	LINK, HALF, 60P
FEEDER SPOUT BEATER DRIVE							
X	X	X	32	16-2100E	1	MC-10076001	SPROCKET, 15T, 60P, QD
X	X	X	33	16-2100E	1	MC-10076201	BUSHING, TAPER LOCK, QD, 1-1/2
X	X	X	34	16-2100E	1	MFL20-10077701	KEY, FEEDER HOUSE BTR DRV SPRKT
X	X	X	35	21L-2300	1	MC-10183801	HUB, POWER-LOCK, 1-3/8B
X	X	X	36	21L-2300	1	MFL26-10198001	SPROCKET, POWER-LOCK, 15T, 60P, HD
X	X	X	37		1	MFL26-10177401	SHIELD, BEATER DRIVE
X	X	X	38	21L-2300	1	MFL20-10070101	SPACER, DRIVE SPROCKET
TENSIONER							
X	X	X	39		1	MC-10023701	SPROCKET, IDLER, 15T, 60P, 5/8B
X	X	X	40		1	MC-10054601	TENSIONER

Transition Drive Component Detail

1043 - 1052	1053 - 1063	1064 - 1068	REF.	MODEL	QTY.	PART NO.	DESCRIPTION
BEATER SHAFT							
X	X	X	16		2	L20A-10129001	PLATE, BEATER BEARING MNT ASM
X	X	X	17		1	MFL20-10127001	#80 AND #60 SPROCKET KEY
X	X	X	18		2	MC-10133701	INSERT, BEARING, 1-7/16
X	X	X	19		2	MC-10133901	FLANGETTES, ROUND PAIR
X	X	X	20		1	MC-10133601	SPROCKET, 16T, 80P, 1-7/16B, 3/8K, HD
X	X	X	21		1	MC-10133301	LINK, CONNECTING, 80P
X	X	X	22		1	MFL20-10132401	CHAIN, 30 PIN, 80P
TRANSITION THROAT JACK SHAFT							
X	X	X	23		1	MFL20-10127901	SHAFT, TRANSITION THROAT JACK 1-3/8"
X	X	X	24		1	MC-10133101	SPROCKET, 12T, 80P, 1-3/8B, HD
X	X	X	25		2	MC-10133901	FLANGETTES, ROUND PAIR
X	X	X	26		2	MC-10133001	INSERT, BEARING, 1-3/8
X	X	X	27		1	MC-10132901	SPROCKET, 36T, 60P, 1-3/8B
X	X	X	28		2	MFL20-10127001	KEY, #60 AND #80 SPROCKET
X	X	X	29		1	MFL20-10132501	CHAIN, 62 PIN, 60P
X	X	X	30		1	MC-10023901	LINK, CONNECTING, 60P
X	X	X	31		1	MC-10024001	LINK, HALF, 60P
FEEDER SPOUT BEATER DRIVE							
X	X	X	32	16-2100E	1	MC-10076001	SPROCKET, 15T, 60P, QD
X	X	X	33	16-2100E	1	MC-10076201	BUSHING, TAPER LOCK, QD, 1-1/2
X	X	X	34	16-2100E	1	MFL20-10077701	KEY, FEEDER HOUSE BTR DRV SPRKT
X	X	X	35	21L-2300	1	MC-10183801	HUB, POWER-LOCK, 1-3/8B
X	X	X	36	21L-2300	1	MFL26-10198001	SPROCKET, POWER-LOCK, 15T, 60P, HD
X	X	X	37		1	MFL26-10177401	SHIELD, BEATER DRIVE
X	X	X	38	21L-2300	1	MFL20-10070101	SPACER, DRIVE SPROCKET
TENSIONER							
X	X	X	39		1	MC-10023701	SPROCKET, IDLER, 15T, 60P, 5/8B
X	X	X	40		1	MC-10054601	TENSIONER

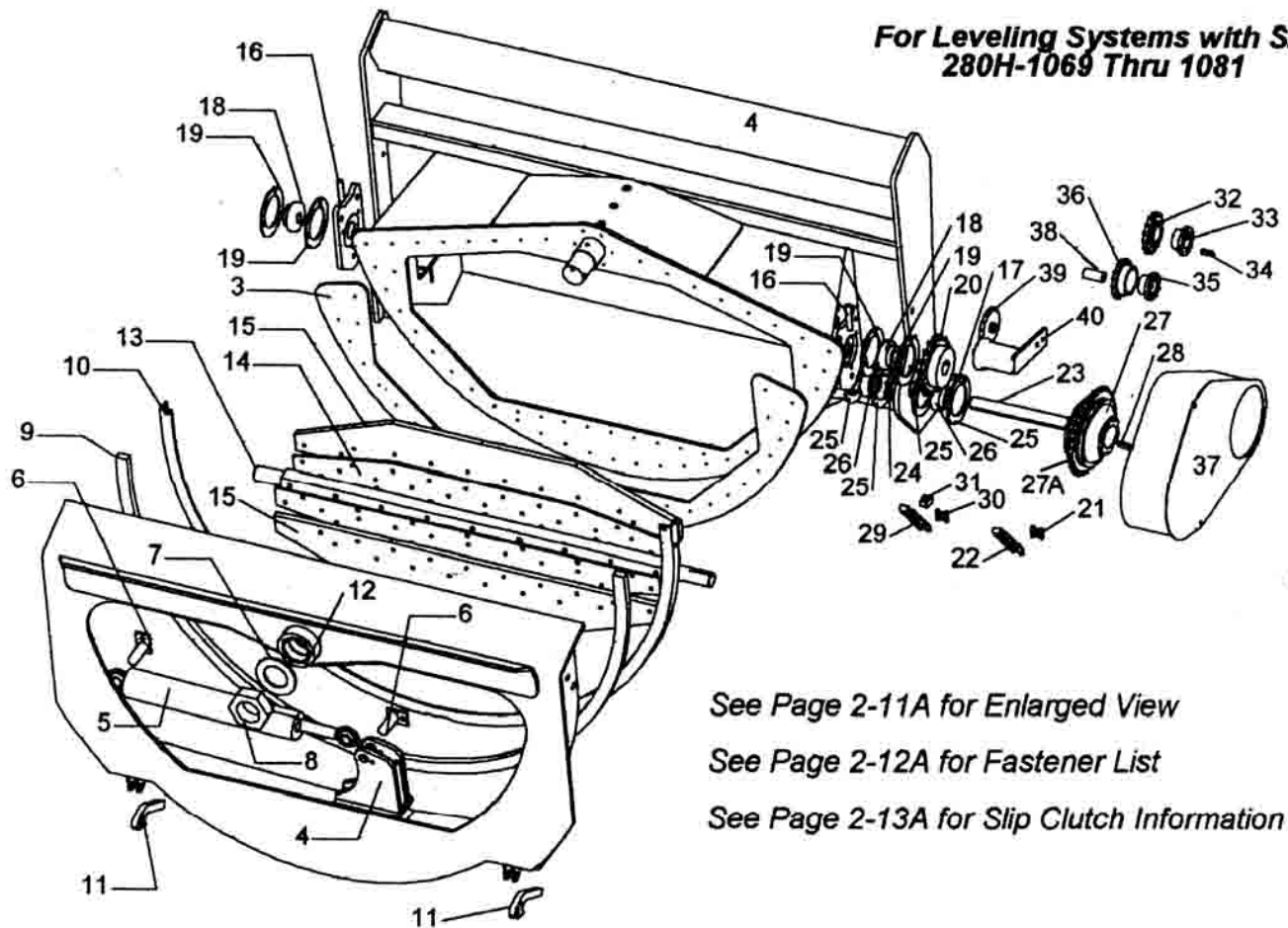


Late Model Transition (SN 1043-1068) Hillco Model 2000H Leveling System



FASTENERS				
REF.	QTY.	PART NO.	DESCRIPTION	WHERE USED
A	2	F-PCL-10X24	CLEVIS PIN, 5/8 x 1-1/2	HEADER LOCK ARM
A	2	F-PCT-02X16	COTTER PIN 1/8 x 1	HEADER LOCK ARM
B	3	F-HCS-08C14	HCS 3/8-16 X 7/8	INNER 3 BOLT PB BEARING
B	3	F-LW-06	LW 3/8	INNER 3 BOLT PB BEARING
B	2	F-MB-26X15X14	MACHINE BUSHING, 1-5/8 x 3-1/8	INNER 3 BOLT PB BEARING
C	3	F-HCS-08C20	HCS 3/8-16 X 1-1/4	OUTER 3 BOLT PB BEARING
C	3	F-HNS-08C	HNS 3/8-16	OUTER 3 BOLT PB BEARING
C	3	F-LW-08	LW 3/8	OUTER 3 BOLT PB BEARING
D	4	F-HNJ-08C	HN 1/2-13, JAM	BEATER BEARING TAKE-UP BELT
E	58	F-FHS-#10C08	FHSC #10-24 X 1/2	TT FACE PLT
F	6	F-CB-08C26	CARRIAGE BOLT, 1/2-13 x 1-3/4	TT BEATER BEARING MNT PLT
F	6	F-HNS-08C	HNS 1/2-13	TT BEATER BEARING MNT PLT
F	6	F-LW-08	LW 1/2	TT BEATER BEARING MNT PLT
F	6	F-HCS-08C14	HCS 3/8-16 X 7/8	TT BEATER BEARING MNT PLT
F	6	F-LW-06	LW 3/8	TT BEATER BEARING MNT PLT
G	2	F-HCS-08C12	HCS 3/8-16 X 3/4	SLAVE CYLINDER MOUNT PIN
G	2	F-LW-06	LW 3/8	SLAVE CYLINDER MOUNT PIN
H	3	F-HC8-10C32	HC8 5/8-11 X 2	ROD MOUNT
H	3	F-HN8-10C	HN8 5/8-11	ROD MOUNT
H	3	F-LW-10A	LW 5/8 HD	ROD MOUNT
I	10	F-HCS-08C20	HCS 3/8-16 X 1-1/4	BACKING ANGLE
I	10	F-HNS-08C	HNS 3/8-16	BACKING ANGLE
I	10	F-LW-06	LW 3/8	BACKING ANGLE
I	10	F-FWH-08	FW 3/8 HD	BACKING ANGLE
J	2	F-HCS-08C32	HCS 1/2-13 X 2	TRANSITION MNT
J	2	F-HNS-08C	HNS 1/2-13	TRANSITION MNT
J	2	F-LW-08	LW-1/2	TRANSITION MNT
K	9	F-HC8-08C40	HC8 3/8-16 X 2-1/2	BEATER BACKING PLT MNT
K	9	F-HN8-08C	HN8 3/8-16	BEATER BACKING PLT MNT
K	9	F-LW-06	LW 3/8	BEATER BACKING PLT MNT
L	36	F-EB-04C20	ELEVATOR BOLT, 1/4-20 x 1-1/4	PADDLE MOUNT
L	36	F-HNF-04CA	HN 1/4-20 X 1-1/4, FLNG., SERR.	PADDLE MOUNT
M	1	F-HCS-08C20	HCS 1/2-13 X 1-1/4	OUTER ROSTA TENSIONER
M	1	F-LW-08	LW 1/2	OUTER ROSTA TENSIONER
M	1	F-HCS-10C56	HCS 5/8-11 X 3-1/2	OUTER ROSTA TENSIONER
M	3	F-HNS-10C	HNS 5/8-11	OUTER ROSTA TENSIONER
M	1	MC-10132701	BOLT SPACER, 5/8	OUTER ROSTA TENSIONER
N	2	F-RHM-08C40	RHMS 3/8-16 X 2-1/2	UHMW WEAR PAD
N	2	F-HNN-08C	HN 3/8-16, NYLOCK	UHMW WEAR PAD
O	1	F-SS-08C08	SET SCREW, 3/8-16 x 1/2	MAIN PIVOT PIN
O	1	F-PZS-02	PIPE ZERK, 1/8 NPT	MAIN PIVOT PIN

Late Model Transition (SN 1069-1081) Hillco Model 2000H Leveling System



See Page 2-11A for Enlarged View

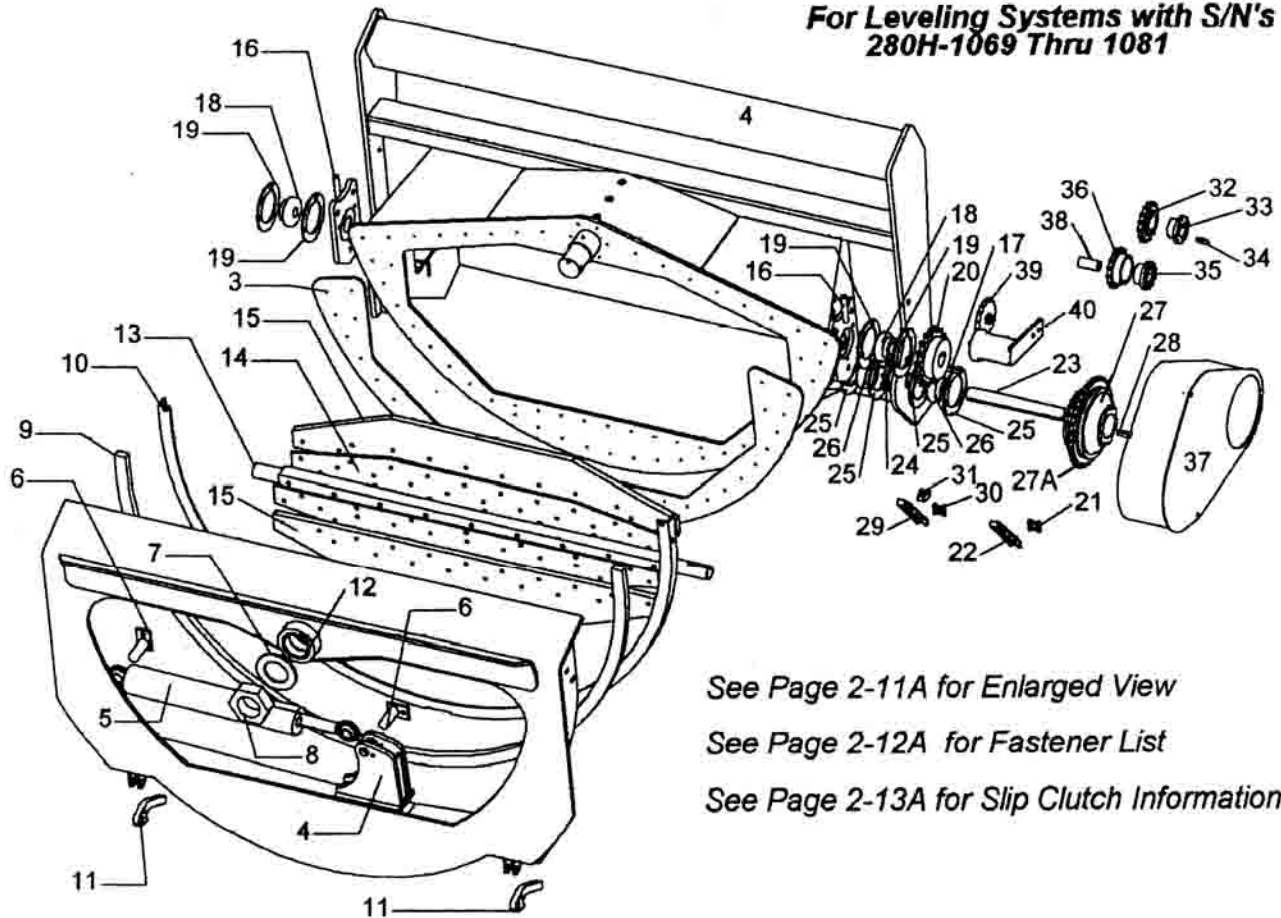
See Page 2-12A for Fastener List

See Page 2-13A for Slip Clutch Information

1089 - 1081	REF.	MODEL	QTY.	PART NO.	DESCRIPTION
X	1		1	L20A-10128801	ADAPTER, TRANSITION HEADER ASM
X	2		1	L20A-10128901	THROAT, TRANSITION ASM
X	3		1	MFLCC-101836	PLATE, TRANSITION THROAT WEAR
X	4		1	L20A-10130901	MOUNT, TRANSITION HEADER ADAPTER ROD ASM
X	5		1	HC-10070601	CYLINDER, SLAVE
X	..		1	L20A-10105401	SEAL KIT, MASTER AND SLAVE CYLINDER
X	6		2	L20A-10048901	PIN, TRIM CYLINDER ASM
X	7		1	MFL20-10126601	WASHER, TRANSITION THROAT PIVOT PIN
X	8		1	MFL20-101326	NUT, TRANSITION THROAT PIVOT HEX
X	9		1	MFL20-10127101	PAD, TRANSITION HEADER ADAPTER BACKING WEAR
X	10		1	MFL20-10127201	ANGLE, TRANSITION HEADER ADAPTER BACKING
X	11		2	MFL20-10132901	ARM, TRANSITION HEADER ADAPTER HEADER LOCK
X	12		1	MFL20-10078001	BUSHING, TRANSITION HEADER ADAPTER PIVOT
BEATER SHAFT					
X	13		1	MFL20-10126201	SHAFT, TRANSITION BEATER
X	14		2	MFL20-10132001	PLATE, TRANSITION BEATER PADDLE BACKING
X	15		2	MC-10047901	PADDLE, TRANSITION BEATER
X	16		2	L20A-10129001	PLATE, BEATER BEARING MNT ASM
X	17		1	MFL20-10127001	#60 AND #60 SPROCKET KEY
X	18		2	MC-10133701	INSERT, BEARING, 1-7/16
X	19		2	MC-10133901	FLANGETTES, ROUND PAIR
X	20		1	MC-10133601	SPROCKET, 16T, 80P, 1-7/16B, 3/8K, HD
X	21		1	MC-10133301	LINK, CONNECTING, 80P
X	22		1	MFL20-10132401	CHAIN, 30 PIN, 80P

Late Model Transition (SN 1069-1081) Hillco Model 2000H Leveling System

For Leveling Systems with S/N's
280H-1069 Thru 1081



See Page 2-11A for Enlarged View

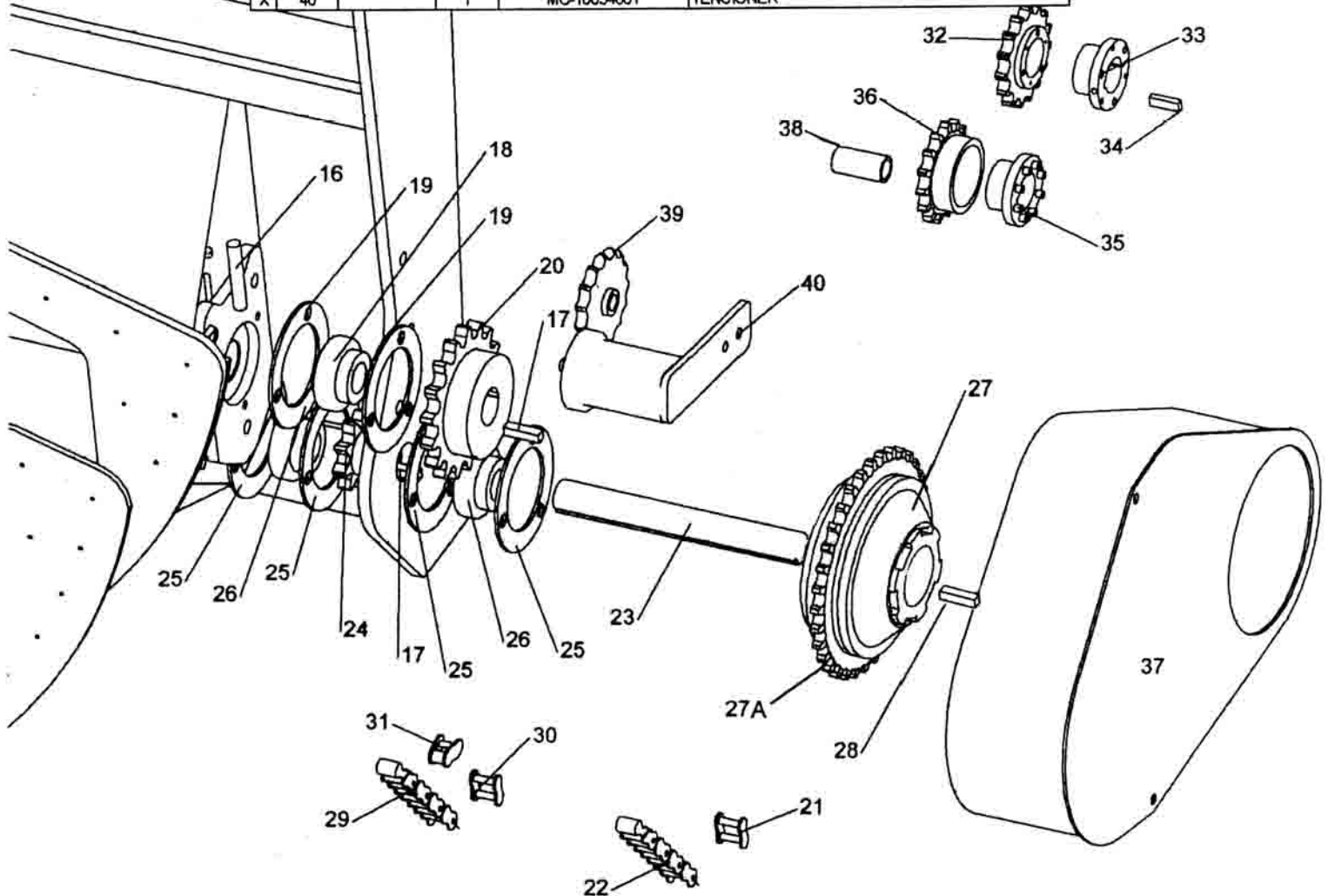
See Page 2-12A for Fastener List

See Page 2-13A for Slip Clutch Information

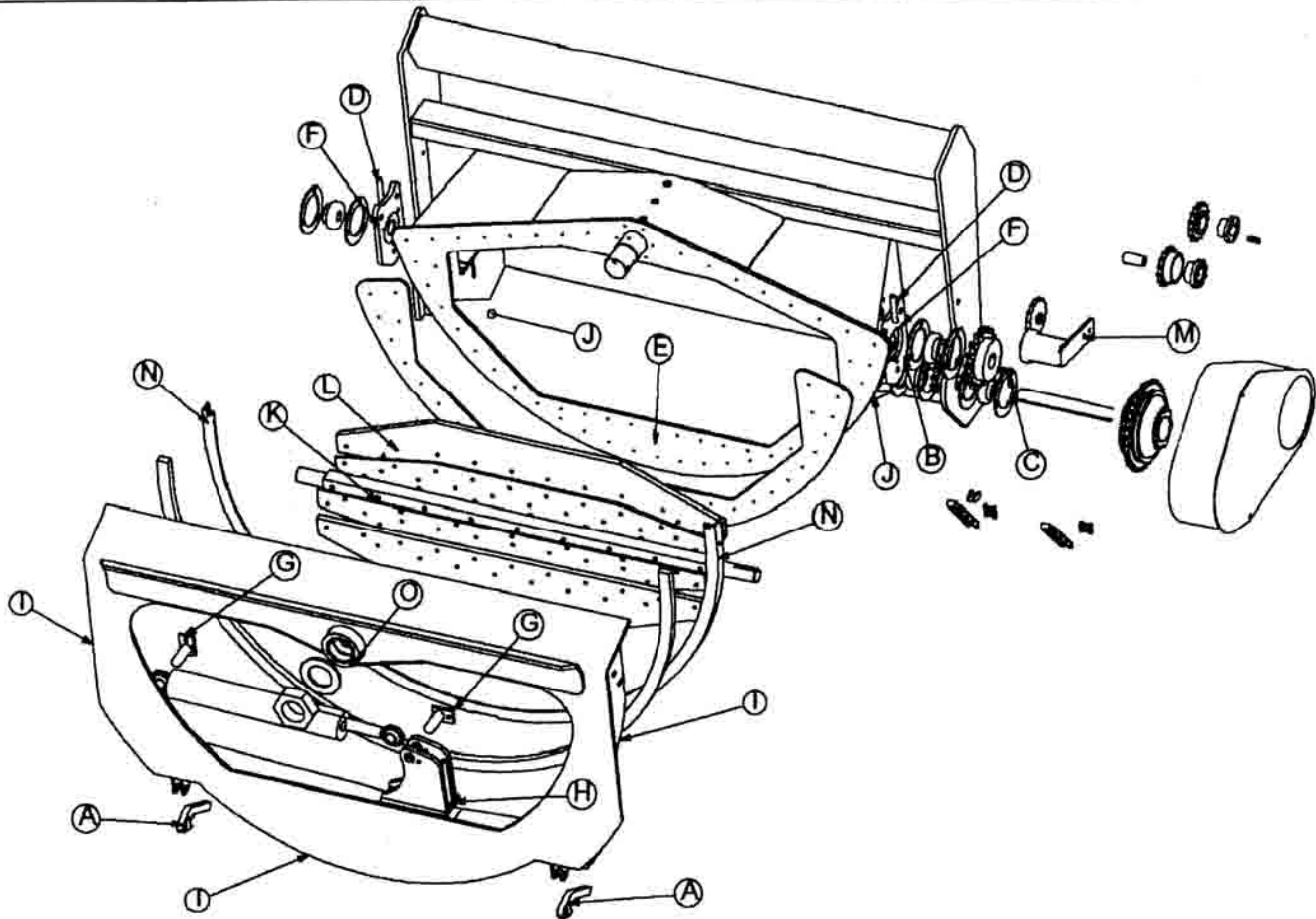
1069 - 1081	REF.	MODEL	QTY.	PART NO.	DESCRIPTION
TRANSITION THROAT JACK SHAFT					
X	23		1	LM-221591	SHAFT, TRANSITION THROAT JACK
X	24		1	MC-10215201	SPROCKET, 12T, 80P, 1-7/16B, HD
X	25		2	MC-10133901	FLANGETTES, ROUND PAIR
X	26		2	MC-10054801	INSERT, BEARING, 1-7/16
X	27		1	MC-10215301	CLUTCH, SLIP, 60P, 1-7/16B
X	27A		1	LM-222921	SPROCKET, PLATE, 60P, 36T, 1-7/16B
X	28		1	LM-234231	KEY, SLIP CLUTCH
X	29		1	MFL20-10132501	CHAIN, 62 PIN, 60P
X	30		1	MC-10023901	LINK, CONNECTING, 60P
X	31		1	MC-10024001	LINK, HALF, 60P
FEEDER SPOUT BEATER DRIVE					
X	32	16-2100E	1	MC-10076001	SPROCKET, 15T, 60P, QD
X	33	16-2100E	1	MC-10076201	BUSHING, TAPER LOCK, QD, 1-1/2
X	34	16-2100E	1	MFL20-10077701	KEY, FEEDER HOUSE BTR DRV SPRKT
X	35	21L-2300	1	MC-10183801	HUB, POWER-LOCK, 1-3/8B
X	36	21L-2300	1	MFL26-10198001	SPROCKET, POWER-LOCK, 15T, 60P, HD
X	37		1	MFL26-10177401	SHIELD, BEATER DRIVE
X	38	21L-2300	1	MFL20-10070101	SPACER, DRIVE SPROCKET
TENSIONER					
X	39		1	MC-10023701	SPROCKET, IDLER, 15T, 60P, 5/8B
X	40		1	MC-10054601	TENSIONER

Transition Drive Component Detail

1069-1081	REF.	MODEL	QTY.	PART NO.	DESCRIPTION
	BEATER SHAFT				
X	18		2	L20A-10129001	PLATE, BEATER BEARING MNT ASM
X	17		1	MFL20-10127001	#80 AND #60 SPROCKET KEY
X	18		2	MC-10133701	INSERT, BEARING, 1-7/16
X	19		2	MC-10133901	FLANGETTES, ROUND PAIR
X	20		1	MC-10133601	SPROCKET, 16T, 80P, 1-7/16B, 3/8K, HD
X	21		1	MC-10133301	LINK, CONNECTING, 80P
X	22		1	MFL20-10132401	CHAIN, 30 PIN, 80P
	TRANSITION THROAT JACKSHAFT				
X	23		1	LM-221591	SHAFT, TRANSITION THROAT JACK
X	24		1	MC-10215201	SPROCKET, 12T, 80P, 1-7/16B, HD
X	25		2	MC-10133901	FLANGETTES, ROUND PAIR
X	26		2	MC-10054801	INSERT, BEARING, 1-7/16
X	27		1	MC-10215301	CLUTCH, SLIP, 60P, 1-7/16B
X	27A		1	LM-222921	SPROCKET, PLATE, 36T, 60P, ...
X	28		1	LM-234231	KEY, SLIP CLUTCH
X	29		1	MFL20-10132501	CHAIN, 62 PIN, 60P
X	30		1	MC-10023901	LINK, CONNECTING, 60P
X	31		1	MC-10024001	LINK, HALF, 60P
	FEEDER SPOUT BEATER DRIVE				
X	32	16-2100E	1	MC-10076001	SPROCKET, 15T, 60P, QD
X	33	16-2100E	1	MC-10076201	BUSHING, TAPER LOCK, QD, 1-1/2
X	34	16-2100E	1	MFL20-10077701	KEY, FEEDER HOUSE BTR DRV SPRKT
X	35	21L-2300	1	MC-10183801	HUB, POWER-LOCK, 1-3/8B
X	36	21L-2300	1	MFL26-10198001	SPROCKET, POWER-LOCK, 15T, 60P, HD
X	37		1	MFL26-10177401	SHIELD, BEATER DRIVE
X	38	21L-2300	1	MFL20-10070101	SPACER, DRIVE SPROCKET
	TENSIONER				
X	39		1	MC-10023701	SPROCKET, IDLER, 15T, 60P, 5/8B
X	40		1	MC-10054601	TENSIONER



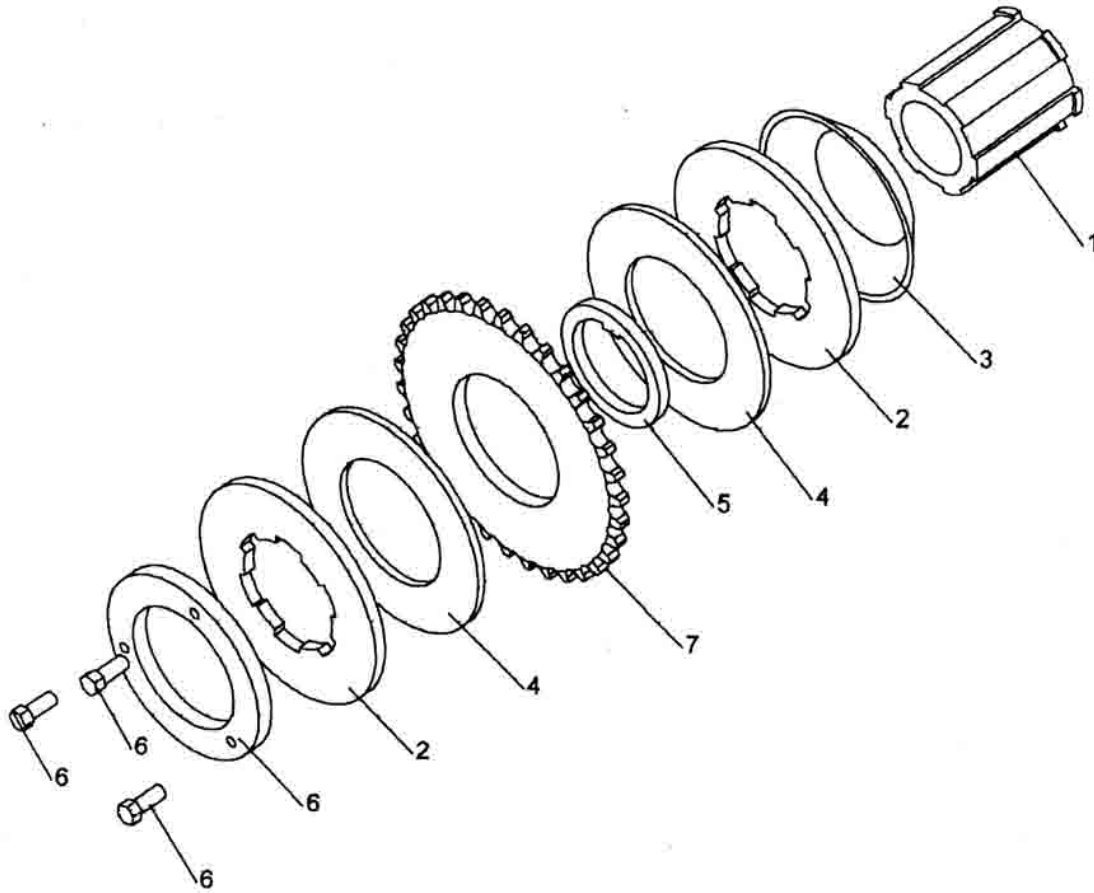
Late Model Transition (SN 1069-1081) Hillco Model 2000H Leveling System



FASTENERS				
REF.	QTY.	PART NO.	DESCRIPTION	WHERE USED
A	2	F-PCL-10X24	CLEVIS PIN, 5/8 x 1-1/2	HEADER LOCK ARM
A	2	F-PCT-02X16	COTTER PIN 1/8 x 1	HEADER LOCK ARM
B	3	F-HCS-08C14	HCS 3/8-16 X 7/8	INNER 3 BOLT PB BEARING
B	3	F-LW-06	LW 3/8	INNER 3 BOLT PB BEARING
B	2	F-MB-28X15X14	MACHINE BUSHING, 1-5/8 x 3-1/8	INNER 3 BOLT PB BEARING
C	3	F-HCS-08C20	HCS 3/8-16 X 1-1/4	OUTER 3 BOLT PB BEARING
C	3	F-HNS-08C	HNS 3/8-16	OUTER 3 BOLT PB BEARING
C	3	F-LW-06	LW 3/8	OUTER 3 BOLT PB BEARING
D	4	F-HNJ-08C	HN 1/2-13, JAM	BEATER BEARING TAKE-UP BELT
E	58	F-FHS-#10C08	FHSC #10-24 X 1/2	TT FACE PLT
F	8	F-CB-08C28	CARRIAGE BOLT, 1/2-13 x 1-3/4	TT BEATER BEARING MNT PLT
F	8	F-HNS-08C	HNS 1/2-13	TT BEATER BEARING MNT PLT
F	8	F-LW-08	LW 1/2	TT BEATER BEARING MNT PLT
F	8	F-HCS-08C14	HCS 3/8-16 X 7/8	TT BEATER BEARING MNT PLT
F	8	F-LW-06	LW 3/8	TT BEATER BEARING MNT PLT
G	2	F-HCS-08C12	HCS 3/8-16 X 3/4	SLAVE CYLINDER MOUNT PIN
G	2	F-LW-06	LW 3/8	SLAVE CYLINDER MOUNT PIN
H	3	F-HC8-10C32	HC8 5/8-11 X 2	ROD MOUNT
H	3	F-HN8-10C	HN8 5/8-11	ROD MOUNT
H	3	F-LW-10A	LW 5/8 HD	ROD MOUNT
I	10	F-HCS-08C20	HCS 3/8-16 X 1-1/4	BACKING ANGLE
I	10	F-HNS-08C	HNS 3/8-16	BACKING ANGLE
I	10	F-LW-06	LW 3/8	BACKING ANGLE
I	10	F-FWH-06	FW 3/8 HD	BACKING ANGLE
J	2	F-HCS-08C32	HCS 1/2-13 X 2	TRANSITION MNT
J	2	F-HNS-08C	HNS 1/2-13	TRANSITION MNT
J	2	F-LW-06	LW-1/2	TRANSITION MNT
K	9	F-HC8-08C40	HC8 3/8-16 X 2-1/2	BEATER BACKING PLT MNT
K	9	F-HN8-08C	HN8 3/8-16	BEATER BACKING PLT MNT
K	9	F-LW-06	LW 3/8	BEATER BACKING PLT MNT
L	38	F-EB-04C2A	ELEVATOR BOLT, 1/4-20 x 1-1/4	PADDLE MOUNT
L	38	F-HNF-04CA	HN 1/4-20 X 1-1/4, FLNG., SERR.	PADDLE MOUNT
M	1	F-HCS-08C20	HCS 1/2-13 X 1-1/4	OUTER ROSTA TENSIONER
M	1	F-LW-06	LW 1/2	OUTER ROSTA TENSIONER
M	1	F-HCS-10C56	HCS 5/8-11 X 3-1/2	OUTER ROSTA TENSIONER
M	3	F-HNS-10C	HNS 5/8-11	OUTER ROSTA TENSIONER
M	1	MC-10132701	BOLT SPACER, 5/8	OUTER ROSTA TENSIONER
N	2	F-RHM-08C40	RHMS 3/8-16 X 2-1/2	UHMW WEAR PAD
N	2	F-HNN-08C	HN 3/8-16, NYLOCK	UHMW WEAR PAD
O	1	F-SS-08C08	SET SCREW, 3/8-16 x 1/2	MAIN PIVOT PIN
O	1	F-PZS-02	PIPE ZERK, 1/8 NPT	MAIN PIVOT PIN

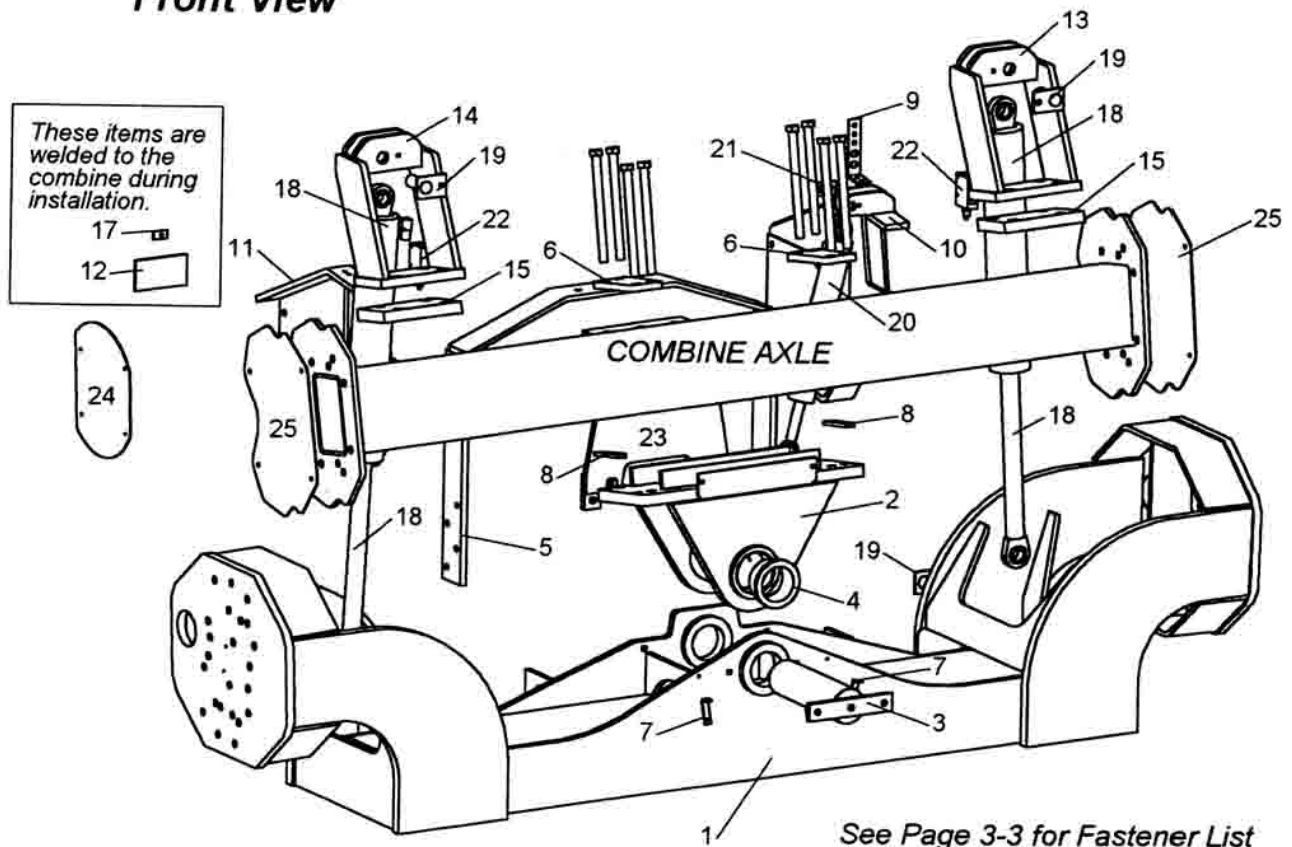
Slip Clutch

Hillco Model 2000H Leveling System



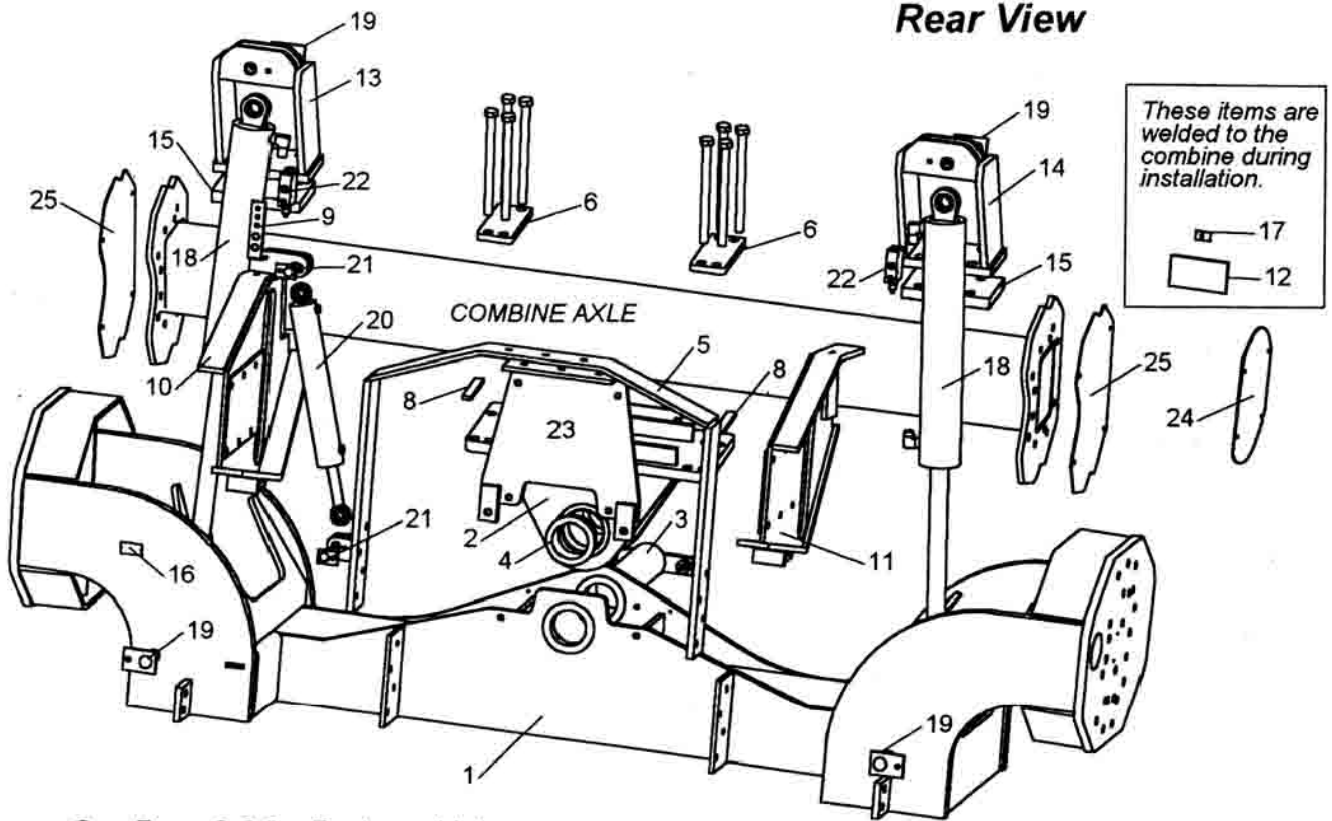
1001 - 1014	1015 - 1030	1031 - 1039	1040 - 1042	1069-1082	REF.	MODEL	QTY.	PART NO.	DESCRIPTION
X	X	X	X		..		1	MC-10114501	SLIP CLUTCH ASM, 50 TT, 1-1/4B TT50
				X	..		1	MC-10215301	SLIP CLUTCH ASM, 60P, 1-7/16B TT70
X	X	X	X		1		1	NSS	HUB, 50 TT, 1-1/4B
				X			1	NSS	HUB, 1-7/16B
X	X	X	X		2		2	MC-10063701	PLATE, BACK UP
				X			2	MC-10032201	PLATE, BACK UP
X	X	X	X		3		1	MC-10063601	SPRING, BELVILLE
				X			1	MC-10032101	SPRING, BELVILLE
X	X	X	X		4		1	MC-10063801	DISK, FRICTION PAIR
				X			1	MC-10032301	DISK, FRICTION PAIR
X	X	X	X		5		1	MC-10064001	BUSHING, SINTERED, 3/8
				X			1	MC-10032501	BUSHING, SINTERED, 3/8
X	X	X	X		6		1	MC-10032401	NUT, TENSIONING
				X			1	MC-10063901	NUT, TENSIONING
X	X	X	X		7		1	MFL20-10077601	SPROCKET, PLATE, 25T, 60P
				X			1	LM-222921	TM SPROCKET, PLATE, 36T, 60P

Front View



See Page 3-3 for Fastener List

1001 - 1014	1015 - 1030	1031 - 1039	1040 - 1042	1043 - 1052	1053 - 1063	1064 - 1081	REF.	MODEL	QTY.	PART NO.	DESCRIPTION
				X	X	X	1		1	L20A-10124701	UNDERCARRIAGE, MAIN ASM
	X	X	X						1	L20A-10042901	UNDERCARRIAGE, MAIN ASM
X									1	L20A-10116801	UNDERCARRIAGE, MAIN ASM
	X	X	X	X	X	X	2		1	L20A-10043001	OVERCARRIAGE, MAIN ASM
X									1	L20A-10116301	OVERCARRIAGE, MAIN ASM
	X	X	X	X	X	X	3		1	L20A-10043301	PIN, MAIN PIVOT ASM
X									1	L20A-10119001	PIN, MAIN PIVOT ASM
	X	X	X	X	X	X	4		2	MC-10038701	BUSHING, OVERCARRIAGE PIVOT
X									2	MC-10115901	BUSHING, OVERCARRIAGE PIVOT
				X	X	X	5		1	L20A-10132301	BRACKET, UC TRANSMISSION SUPRT ASM
X	X	X	X						1	L20A-10043101	BRACKET, UC TRANSMISSION SUPRT ASM
X	X	X	X	X	X	X	6		2	MFL20-10072301	BRACKET, OC BOLT
	X	X	X	X	X	X	7		2	MFL20-10067901	MOUNT, UC LIMIT SWITCH STOP
X									2	MFL20-10123701	MOUNT, UC LIMIT SWITCH STOP
X	X	X	X	X	X	X	8		2	MFL20-10081301	FLAT, OC BASE STOP
				X	X	X	9		1	MFL20-10125801	BRACKET, BULKHEAD MOUNT
X	X	X	X						1	MFL20-10049601	BRACKET, BULKHEAD MOUNT
X	X	X	X	X	X	X	10		1	L20A-10043501	SUPPORT, LEFT FRAME ASM
									1	L20A-10120101	SUPPORT, LEFT FRAME ASM
	X	X	X	X	X	X	11		1	L20A-10043601	SUPPORT, RIGHT FRAME ASM
X									1	L20A-10120201	SUPPORT, RIGHT FRAME ASM
							NS		2	LM-10311001	2000H DRIVE COUPLER SPACERS (SPECIAL)

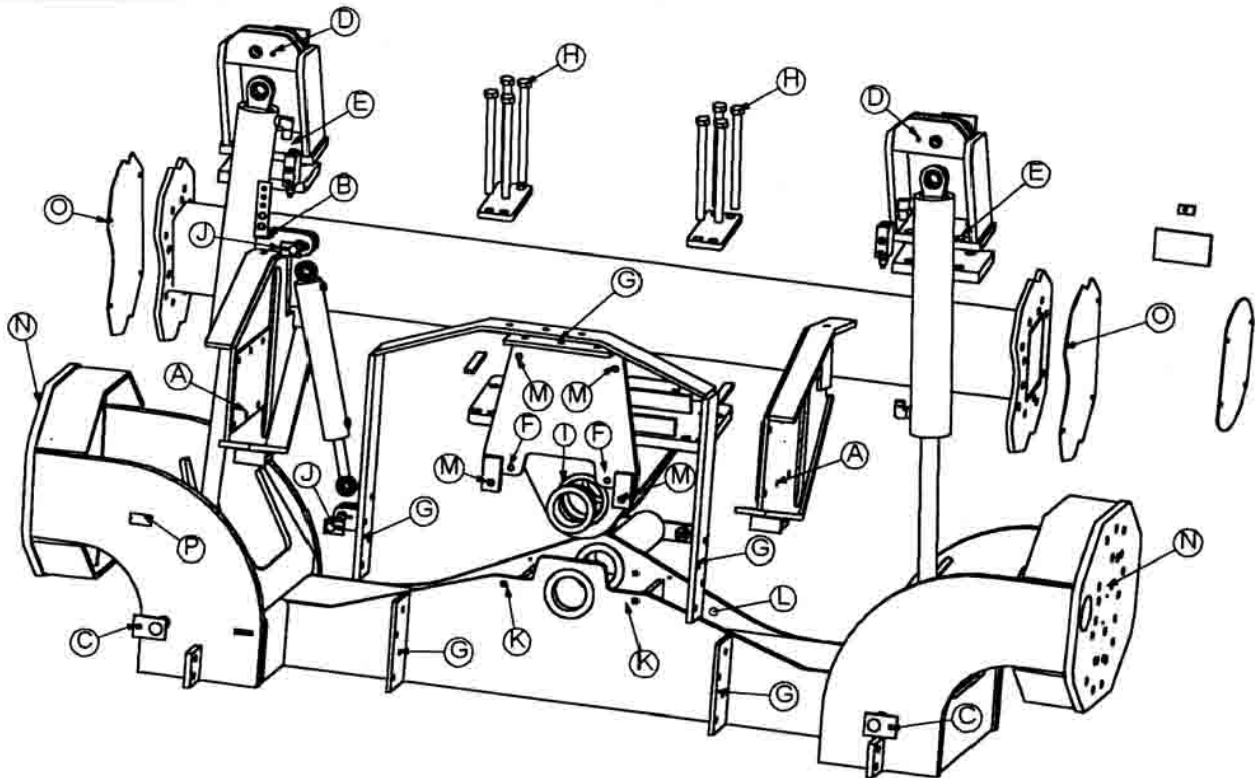


See Page 3-3 for Fastener List

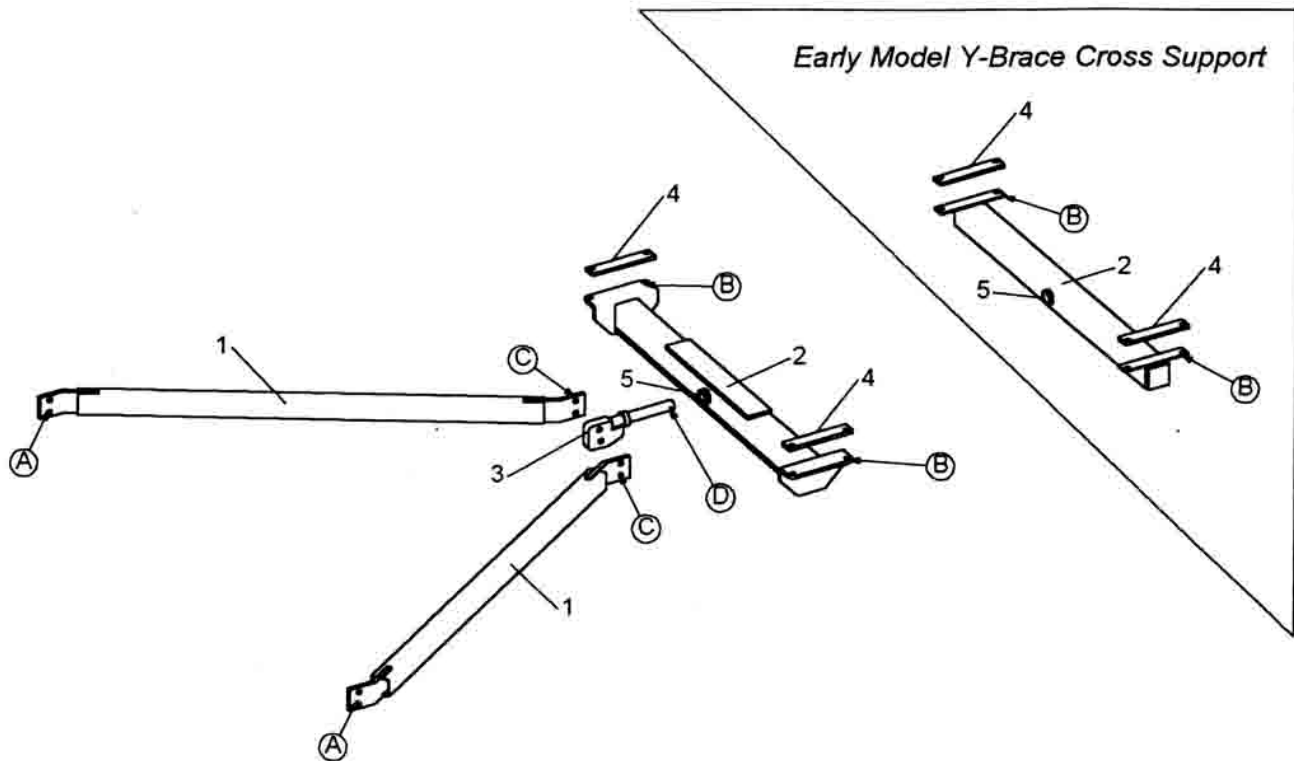
1001 - 1014	1015 - 1030	1031 - 1039	1040 - 1042	1043 - 1052	1053 - 1063	1064 - 1081	REF.	MODEL	QTY.	PART NO.	DESCRIPTION
	X	X	X	X	X	X	13		1	L20A-10042701	MOUNT, TOP CYLINDER LEFT ASM
X									1	L20A-10119501	MOUNT, TOP CYLINDER LEFT ASM
	X	X	X	X	X	X	14		1	L20A-10042801	MOUNT, TOP CYLINDER RIGHT ASM
X									1	L20A-10119601	MOUNT, TOP CYLINDER RIGHT ASM
X	X	X	X	X	X	X	15		2	MFL20-10039601	PLATE, CYLINDER MOUNT BOTTOM
				X	X	X	16		1	LL20-10079001	PLATE, SERIAL NUMBER
X	X	X	X	X	X	X	17		1	MFL20-10071901	MOUNT, STEERING CYLINDER LINE
X	X	X	X	X	X	X	18		2	HC-100707	CYLINDER, MAIN LEVELING
X	X	X	X	X	X	X	...		2	L20A-10104501	SEAL KIT, MAIN LEVELING CYLINDER
	X	X	X	X	X	X	19		4	L20A-10043401	PIN, LEVELING CYLINDER ASM
X									4	L20A-10119701	PIN, LEVELING CYLINDER ASM
X	X	X	X	X	X	X	20		1	HC-10070501	CYLINDER, MASTER
X	X	X	X	X	X	X	...		1	L20A-10105401	SEAL KIT, MASTER AND SLAVE CYLINDER
X	X	X	X	X	X	X	21		2	L20A-10048901	PIN, TRIM CYLINDER ASM
X	X	X	X	X	X	X	...		2	HC-10126501	VALVE, COUNTERBALANCE, COMPLETE ASM
X	X	X	X	X	X	X	...		1	HC-10103801	CARTRIDGE, COUNTERBALANCE VALVE
X	X	X	X	X	X	X	...		1	HC-10103901	HOUSING, COUNTERBALANCE VALVE
X	X	X	X	X	X	X	...		1	HC-10080501	SEAL KIT, COUNTERBALANCE VALVE
	X	X	X	X	X	X	23	16-2100E	1	L20A-10070401	PLATE, UC TRANSMISSION MNT ASM
	X	X	X	X	X	X	23	21L-2300	1	L20A-10065101	PLATE, UC TRANSMISSION MNT ASM
X								21L-2300	1	L20A-10116901	PLATE, UC TRANSMISSION MNT ASM
X	X	X	X	X	X	X	24	16-2100E	2	MFL20-10050901	CAP, AXLE
X	X	X	X	X	X	X	25	21L-2300	1	MFL20-10067801	FLANGE, FINAL MNT

Carriage

Hilco Model 2000H Leveling System



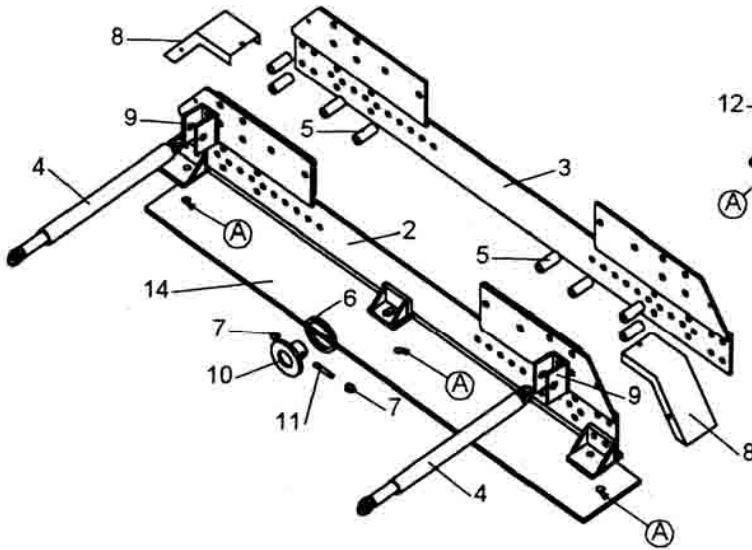
REF	MODEL	QTY	PART NO	DESCRIPTION	WHERE USED
A		12	F-HC8-10C36	HC8 5/8-11 X 2	FRAME SUPPORT
A		12	F-HN8-10C	HN8 5/8-11	FRAME SUPPORT
A		12	F-LW-10A	LW HD 5/8	FRAME SUPPORT
B		2	F-HC5-06C20	HC5 3/8-16 X 1-1/4	BULKHEAD MOUNT
B		2	F-HN5-06C	HN5 3/8-16	BULKHEAD MOUNT
B		2	F-LW-06	LW 3/8	BULKHEAD MOUNT
C		2	F-HC5-08C16	HC5 1/2-13 X 1	LOWER MAIN CYL MNT PIN
C		2	F-LW-08	LW 1/2	LOWER MAIN CYL MNT PIN
D		2	F-HC5-08C16	HC5 1/2-13 X 1	TOP MAIN CYL MNT PIN
D		2	F-LW-08	LW 1/2	TOP MAIN CYL MNT PIN
E		8	F-HC8-16C40	HC8 1-8 X 2-1/2	TOP MAIN CYL MNT
E		8	F-LW-16A	LW HD 5/8	TOP MAIN CYL MNT
F		2	F-HN8-12C	HN8 3/4-10	TRANSMISSION MOUNT
F		2	F-HC8-12C40	HC8 3/4-10 X 2-1/2	TRANSMISSION MOUNT
F		2	F-LW-12A	LW HD 3/4	TRANSMISSION MOUNT
G		3	F-HC8-10C28	HC8 5/8-11 X 1-3/4	TRANSMISSION MOUNT
G		11	F-HN8-10C	HN8 5/8-11, STOVER	TRANSMISSION MOUNT
G		8	F-HC8-10C36	HC8 5/8-11 X 2-1/4	TRANSMISSION MOUNT
H		8	F-HC8-14C192	HC8 7/8-9 X 12	OVERCARRIAGE BOLT BRACKET
H		8	F-HN8-14C	HN8 7/8-9	OVERCARRIAGE BOLT BRACKET
H		8	F-FWH-14	FW 7/8 HD	OVERCARRIAGE BOLT BRACKET
I		1	F-PZS-02	1/8 NPT PIPE ZERK	OVERCARRIAGE PIVOT TUBE
J		2	F-HC5-06C12	HC5 3/8-16 X 3/4	MASTER CYL MNT PIN
J		2	F-LW-06	LW 3/8	MASTER CYL MNT PIN
K		2	F-HC8-10C44	HC8 5/8-11 X 2-3/4	MAIN PIVOT PIN
K		2	F-HN8-10C	HN8 5/8-11, STOVER	MAIN PIVOT PIN
K		1	F-HC5-10F16	HC5 5/8-18 X 1	MAIN PIVOT PIN
L		2	F-HC5-10C20	HC5 5/16-18 X 1-1/4	LIMIT SWITCH MOUNT
L		2	F-HN-10C	HN 5/16-18	LIMIT SWITCH MOUNT
L		2	F-EB-04C20	ELEVATOR BOLT, 1/4-20 x 1-1/4	LIMIT SWITCH MOUNT
M	16-2100E	4	F-FHS-10C24	FHSC 5/8-11 X 1-1/2	TRANSMISSION PLT
M	21L-2300	4	F-FSM-16C50	FHSC 16 X 2.0 X 50 MM	TRANSMISSION PLT
N	16-2100E	20	F-HC8-12C36	HC8 3/4-10 x 2-1/4	FINAL MOUNT
N	16-2100E	24	F-LW-12A	LW 3/4 HD	FINAL MOUNT
N	16-2100E	4	F-SHC-12C36	SHCS 3/4-10 X 2-1/4	FINAL MOUNT
N	21L-2300	20	F-HCM-20F70	HC 10.9 MM 20 X 2.5 X 70	FINAL MOUNT
N	21L-2300	24	F-LWM-20A	LW 20 MM HD	FINAL MOUNT
N	21L-2300	4	F-SCM-20F70	SHCS 20 X 2.5 X 70	FINAL MOUNT
O		8	F-HC5-06C24	HC5 3/8-16 X 1-1/2	COMBINE AXLE CAP
O		8	F-HN5-06C	HN5 3/8-16	COMBINE AXLE CAP
O		8	F-FW-06	FW 3/8	COMBINE AXLE CAP
O		8	F-LW-06	LW 3/8	COMBINE AXLE CAP
P		2	F-UDS-#7X06	#7 x 3/8 U-DRIVE SCREW	SERIAL NUMBER PLATE



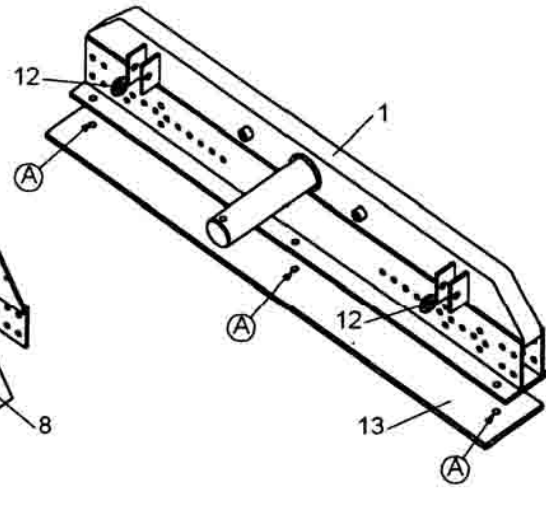
1001 - 1014	1015 - 1030	1031 - 1039	1040 - 1042	1043 - 1052	1053 - 1063	1064 - 1081	REF.	MODEL	QTY.	PART NO.	DESCRIPTION	WHERE USED
	X	X	X	X	X	X	1		2	L20A-10043701	ARM, Y-BRACE ASM	
X									2	L20A-10117101	ARM, Y-BRACE ASM	
	X	X	X	X	X	X	2		1	L20A-10043801	SUPPORT, Y-BRACE CROSS ASM	
X									1	L20A-10118801	SUPPORT, Y-BRACE CROSS ASM	
	X	X	X	X	X	X	3		1	L20A-10043901	PIN, Y-BRACE PIVOT ASM	
X									1	L20A-10119401	PIN, Y-BRACE PIVOT ASM	
X	X	X	X	X	X	X	4		2	MFL20-10124901	CLAMP, Y-BRACE C-CHANNEL	
X	X	X	X	X	X	X	5		2	MC-10075801	BUSHING, BRASS STEP PIVOT	
FASTENERS												
X	X	X	X	X	X	X	A		4	F-HC8-12C40	HC8 3/4-10 X2-1/2	Y-BRACE FRONT MOUNT
X	X	X	X	X	X	X	A		4	F-HNS-12C	HN8 3/4-10, STOVER LOCK	Y-BRACE FRONT MOUNT
X	X	X	X	X	X	X	B		4	F-HC8-12C36	HC8 3/4-10 X2-1/4	Y-BRACE FRAME MOUNT
X	X	X	X	X	X	X	B		4	F-HNS-12C	HN8 3/4-10, STOVER LOCK	Y-BRACE FRAME MOUNT
X	X	X	X	X	X	X	C		2	F-HC8-12C72	HC8 3/4-10 X4-1/2	Y-BRACE REAR MOUNT
X	X	X	X	X	X	X	C		2	F-HNS-12C	HN8 3/4-10, STOVER LOCK	Y-BRACE REAR MOUNT
X	X	X	X	X	X	X	D		1	F-HNC-24F	HN 1-1/2-12, CASTELLATED	Y-BRACE PIVOT PIN
X	X	X	X	X	X	X	D		1	F-PCT-10X48	COTTER PIN, 5/8 x 3	Y-BRACE PIVOT PIN
X	X	X	X	X	X	X	D		10	F-MB-24X36X18	MACHINE BUSHING, 1-1/2 x 2-1/4	Y-BRACE PIVOT PIN

Drop Axles

Hillco Model 2000H Leveling System

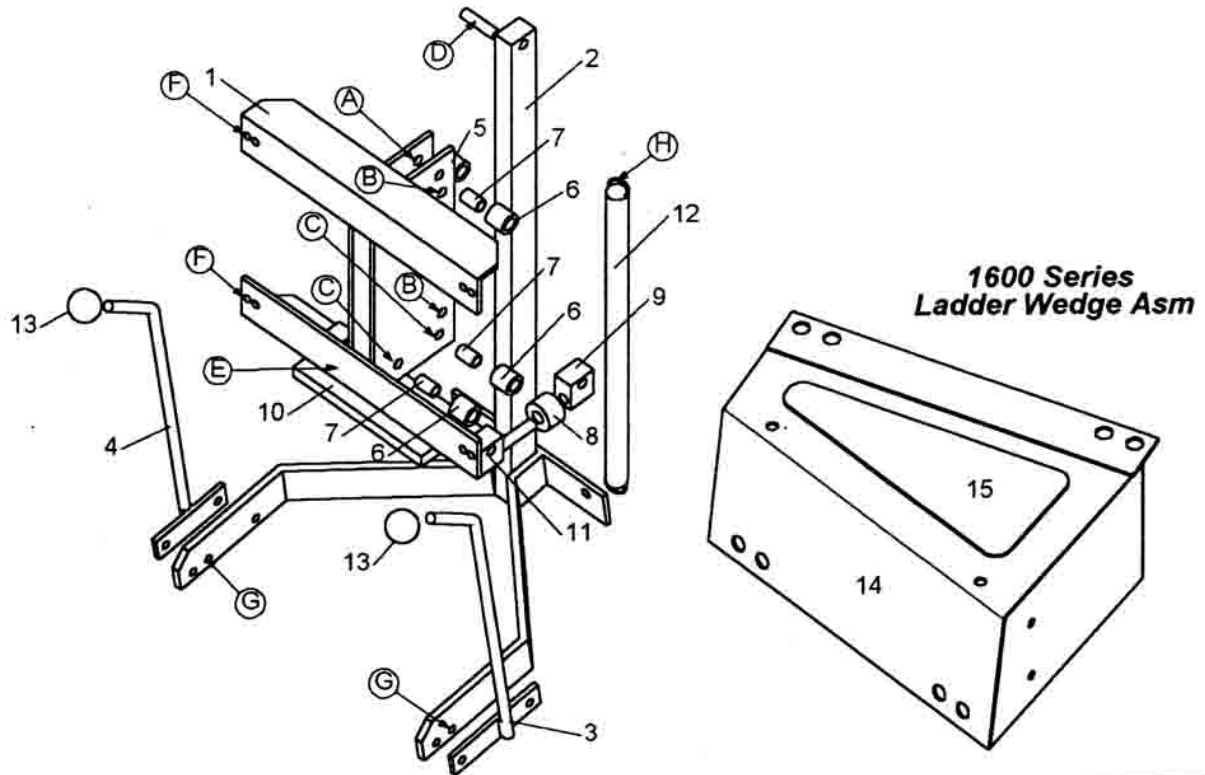


Early Model Drop Axle



Late Model Drop Axle

1001 - 1014	1015 - 1030	1031 - 1039	1040 - 1042	1043 - 1052	1053 - 1063	1064 - 1081	REF	MODEL	QTY	PART NO.	DESCRIPTION	WHERE USED
			X	X	X		1		1	L20A-10125101	DROP AXLE ASM	
									1	L20A-10079801	DROP AXLE ASM	
	X	X					2		2	L20A-10066701	FRONT, DROP AXLE ASM	
X									2	L20A-10120801	FRONT, DROP AXLE ASM	
	X	X					3		1	L20A-10066801	REAR, DROP AXLE ASM	
X									1	L20A-10121601	REAR, DROP AXLE ASM	
	X	X					4		2	L20A-10069901	DRAG LINK, DROP AXLE ASM	
X									2	L20A-10124201	DRAG LINK, DROP AXLE ASM	
X	X	X					5		8	MFL20-10066401	SPACER, DROP AXLE TUBE	
X	X	X					6		1	MFL20-10051301	RING, DROP AXLE STOP	
X	X	X					7		2	MFL20-10051001	PIN, DROP AXLE STOP	
X	X	X					8		2	MFL20-10067701	CAP, DROP AXLE	
	X	X					9		2	L20A-10068301	MOUNT, DROP AXLE DRAG LINK ASM	
X									2	L20A-10121001	MOUNT, DROP AXLE DRAG LINK ASM	
	X	X					10		1	L20A-10062601	STOP, DROP AXLE ASM	
X									1	L20A-10120301	STOP, DROP AXLE ASM	
X	X	X					11		1	MC-10095801	SPRING, COMPRESSION	
			X	X	X	X	12		2	MC-10070001	JOINT, BALL	
				X	X	X	13		0-13	MFL20-10125601	WEIGHT, DROP AXLE 160 LB.	
X*	X*	X*	X*				14		0-10	NOT AVAILABLE	WEIGHT, DROP AXLE 135 LB.	* REPLACED BY MFL20-10125601
FASTENERS												
			X	X	X		A		3	F-HC8-12C56	HC8 3/4-10 X 3-1/2	1 WEIGHT PACKAGE
			X	X	X		A		3	F-HC8-12C56	HC8 3/4-10 X 3-1/2	2 WEIGHT PACKAGE
			X	X	X		A		3	F-HC8-12C72	HC8 3/4-10 X 4-1/2	3 WEIGHT PACKAGE
			X	X	X		A		3	F-HC8-12C88	HC8 3/4-10 X 5-1/2	4 WEIGHT PACKAGE
			X	X	X		A		3	F-HC8-12C96	HC8 3/4-10 X 6	5 WEIGHT PACKAGE
			X	X	X		A		3	F-HC8-12C112	HC8 3/4-10 X 7	6 WEIGHT PACKAGE
			X	X	X		A		3	F-HC8-12C120	HC8 3/4-10 X 7-1/2	7 WEIGHT PACKAGE
			X	X	X		A		3	F-HC8-12C136	HC8 3/4-10 X 8-1/2	8 WEIGHT PACKAGE
			X	X	X		A		3	F-HC8-12C144	HC8 3/4-10 X 9	9 WEIGHT PACKAGE
			X	X	X		A		3	F-HC8-12C160	HC8 3/4-10 X 10	10 WEIGHT PACKAGE
			X	X	X		A		3	F-HC8-12C168	HC8 3/4-10 X 10-1/2	11 WEIGHT PACKAGE
			X	X	X		A		3	F-HC8-12C184	HC8 3/4-10 X 11-1/2	12 WEIGHT PACKAGE
			X	X	X		A		3	F-HC8-12C192	HC8 3/4-10 X 12	13 WEIGHT PACKAGE
			X	X	X		A		3	F-HN8-12C	HN8 3/4-10	ALL WEIGHT PACKAGES
			X	X	X		A		3	F-LW-12A	LW 3/4 HD	ALL WEIGHT PACKAGES
			X	X	X		A		3	F-FWH-12	FW 3/4, HD	ALL WEIGHT PACKAGES
			X	X	X		B		4	F-HC5-12C20	HC5 3/4-10 X 1-1/4	4WD ASM MNT
			X	X	X		B		4	F-LW-12	LW 3/4	4WD ASM MNT



1001 - 1014	1015 - 1030	1031 - 1039	1040 - 1042	REF.	MODEL	QTY.	PART NO.	DESCRIPTION	WHERE USED
X	X	X	X	1		1	L20A-10061801	BASE, LADDER MOUNTING ASM	
X				2		1	L20A-10123501	STEP, LADDER ASM	
	X	X	X			1	L20A-10061901	STEP, LADDER ASM	
X	X	X	X	3		1	L20A-10061701	HANDLE, LADDER RIGHT ASM	
X	X	X	X	4		1	L20A-10061601	HANDLE, LADDER LEFT ASM	
X	X	X	X	5		2	MFL20-10052501	BUSHING, LADDER SPACER	
X	X	X	X	6		4	MFL20-10052201	ROLLER, LADDER	
X	X	X	X	7		4	MC-10075901	BUSHING, LADDER ROLLER, BRONZE	
X	X	X	X	8		2	MFL20-10052401	ROLLER, LADDER SIDE	
X	X	X	X	9		2	MFL20-10052101	BLOCK, LADDER ROLLER	
X	X	X	X	10		1	MFL20-10051701	STOP, LADDER BASE	
X	X	X	X	11		2	L20A-10068801	ROLLER, LADDER SIDE ASM	
X	X	X	X	12		2	MC-10071001	SPRING, EXTENSION	
X	X	X	X	13		2	MC-10070901	KNOB, LADDER HANDLE BALL	
		X	X	14	16-2100E	1	L20A-10078901	WEDGE, LADDER ASM	
		X	X	15	16-2100E	2	MFL20-10079401	STRIP, WEDGE TREAD	
FASTENERS									
X	X	X	X	A		2	F-PCL-08X32	CLEVIS PIN, 1/2 x 2	UPPER ROLLER AXLE
X	X	X	X	A		2	F-PH-#10	HITCH PIN CLIP, #10	UPPER ROLLER AXLE
X	X	X	X	B		2	F-HC5-08C36	HC5 1/2-13 X 2-1/4	SPACER
X	X	X	X	B		2	F-HN5-08C	HN5 1/2-13	SPACER
X	X	X	X	B		2	F-LW-08	LW 1/2	SPACER
X	X	X	X	C		2	F-HC5-08C72	HC5 1/2-13 X 4-1/2	BOTTOM ROLLER AXLE
X	X	X	X	C		2	F-HNN-08C	HN 1/2-13, NYLOCK	BOTTOM ROLLER AXLE
X	X	X	X	D		1	F-PR-08X32	ROLL PIN, 1/2 x 2	LADDER RAIL
X	X	X	X	E		2	F-HC5-05C20	HC5 5/16-18 X 1-1/4	BUMPER MOUNT
X	X	X	X	E		2	F-HNN-05C	HN 5/16-18, NYLOCK	BUMPER MOUNT
X	X	X	X	E		2	F-FW-05	FW 5/16	BUMPER MOUNT
X	X	X	X	F		4	F-THM-05C12	THMS 5/16-18 X 3/4	LADDER MOUNT
X	X	X	X	F		4	F-HNF-05C	HN 5/16-18, FLNG., SERR.	LADDER MOUNT
X	X	X	X	G		4	F-THM-06C24	THMS 3/8-16 X 1-1/2	STEP MOUNT
X	X	X	X	G		4	F-HNF-06C	HN 3/8-16, FLNG., SERR.	STEP MOUNT
X	X	X	X	H	16-2100E	2	F-PHM-06C32	PHMS 3/8-16 X 2	TOP SPRING MOUNT
X	X	X	X	H	16-2100E	4	F-HNF-06C	HN 3/8-16, FLNG., SERR.	TOP SPRING MOUNT

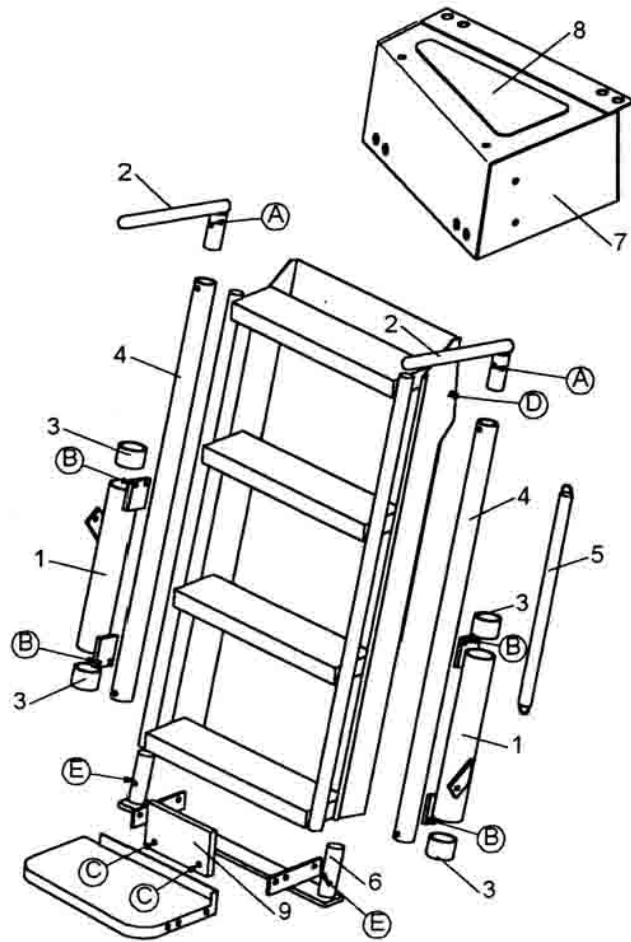
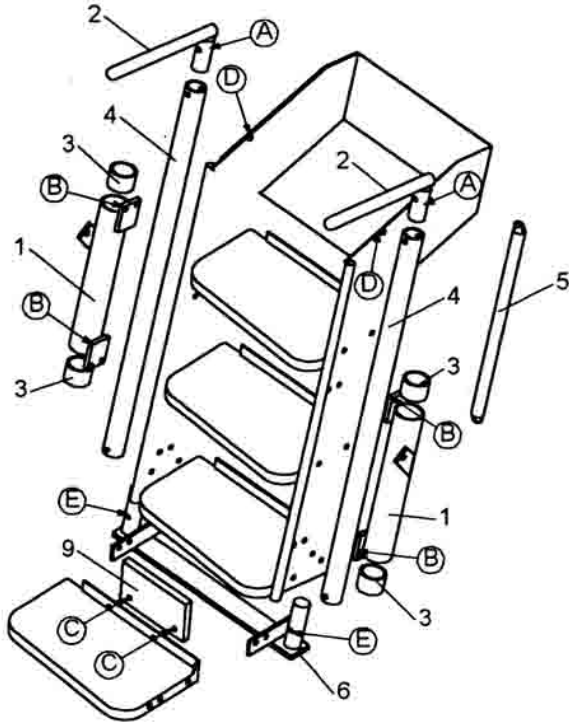
Slide Ladder

Hillco Model 2000H Leveling System

S/N 280H-1001 Thru 1042
Were Equipped With Linear Ladders
S/N 280H-1043 Thru 1081
Were Equipped With Slide Ladders

1600 Series Ladder

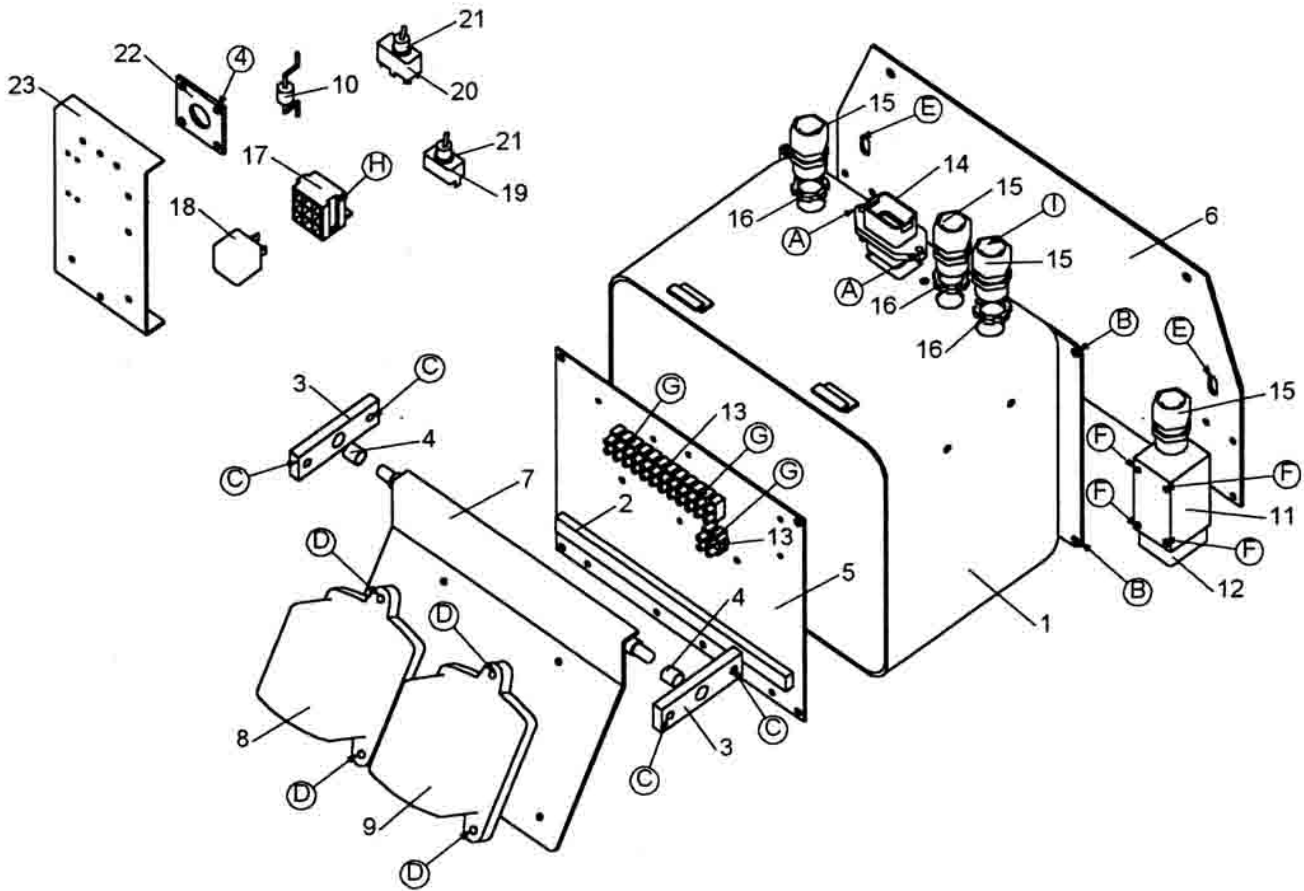
21-2300 Series Ladder



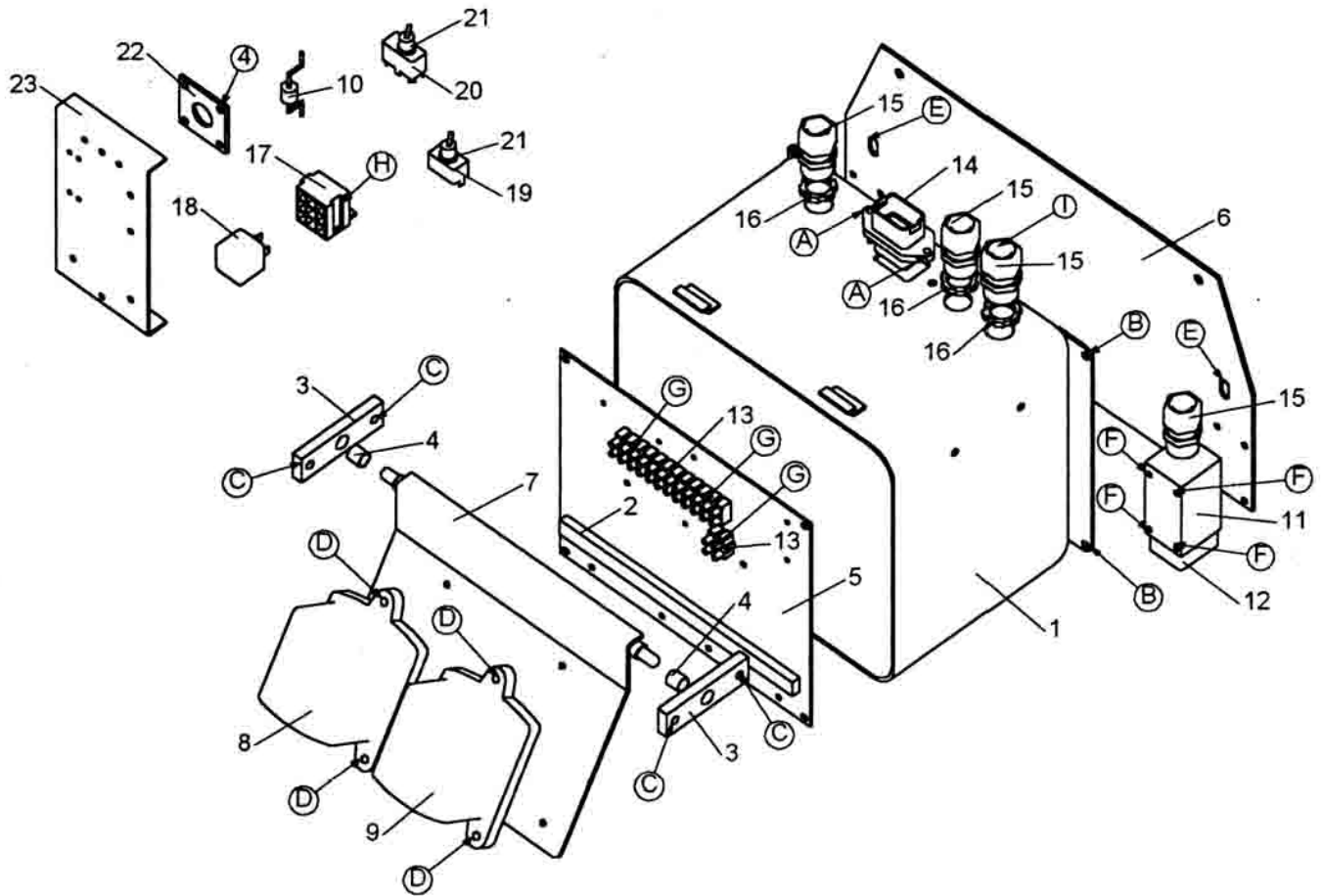
1043 - 1052	1053 - 1083	1084 - 1081	REF.	MODEL	QTY.	PART NO.	DESCRIPTION	WHERE USED
X	X	X	1		2	L20A-10149301	BUSHING, SLIDE TUBE ASM	
X	X	X	2		2	L20A-10149801	HANDLE, SLIDE TUBE ASM	
X	X	X	3		4	MFL20-10149401	BUSHING, SLIDE TUBE ASM	
X	X	X	4		2	MFL20-10149501	TUBE, SLIDE	
X	X	X	5		2	MC-10071001	SPRING, EXTENSION	
X	X	X	6	16-2100E	1	L20A-10135201	STEP, SLIDE ASM	
X	X	X	6	21L-2300	1	L20A-10134801	STEP, SLIDE ASM	
X	X	X	7	16-2100E	1	L20A-10125401	WEDGE, LADDER ASM	
X	X	X	8	16-2100E	2	MFL20-10079401	STRIP, WEDGE TREAD	
X	X	X	9		1	MFL20-10179201	BUMPER, LADDER	
FASTENERS								
X	X	X	A		2	F-PR-06X40	ROLL PIN 3/8 x 2-1/2	HANDLE ASM TO SLIDE TUBE
X	X	X	B		8	F-THMS-06C16	THMS 3/8-16 x 1 SLT., SERR.	TUBE ASM TO LADDER CHANNEL
X	X	X	B		8	F-HNF-06C	HN 3/8-16, FLNG., SERR.	TUBE ASM TO LADDER CHANNEL
X	X	X	C		2	F-THMS-06C24	THMS 3/8-16 x 1-1/2 SLT., SERR.	BUMPER MOUNT
X	X	X	C		2	F-HNF-06C	HN 3/8-16, FLNG., SERR.	BUMPER MOUNT
X	X	X	D		2	F-PHMS-06C40	PHMS 3/8-16 x 2-1/2 SLT.	TOP SPRING MOUNT
X	X	X	D		4	F-HNF-06C	HN 3/8-16, FLNG., SERR.	TOP SPRING MOUNT
X	X	X	D		2	LM-10308201	CHAIN, PASSING LINK, 5 LINKS	TOP SPRING MOUNT
X	X	X	E		2	F-PHMS-06C56	PHMS 3/8-16 x 3-1/2 SLT.	STEP AND BOTTOM SPRING MOUNT
X	X	X	E		2	F-HNF-06C	HN 3/8-16, FLNG., SERR.	STEP AND BOTTOM SPRING MOUNT
X	X	X	E		2	LM-10308101	CHAIN, PASSING LINK, SINGLE LINK	BOTTOM SPRING MOUNT

Electrical Control Box

Hilco Model 2000H Leveling System



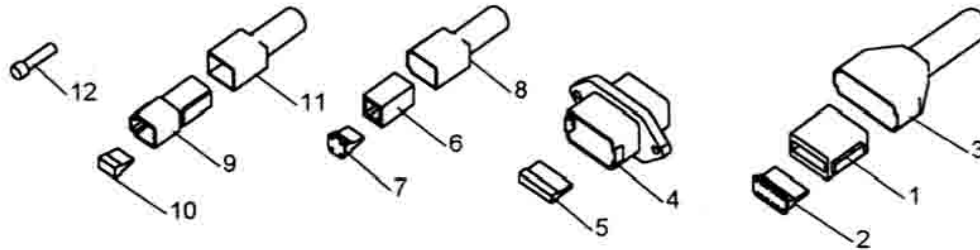
1001 - 1014	1015 - 1030	1031 - 1039	1040 - 1042	1043 - 1052	1053 - 1063	1064 - 1081	REF.	MODEL	QTY.	PART NO.	DESCRIPTION	WHERE USED
X	X	X	X				1		1	MFL20-10051401	BOX, CONTROL	
				X	X	X			1	MFL20-10126701	BOX, CONTROL	
X	X	X	X	X	X	X	2		1	MC-10005001	WEATHERSTRIP	10 IN.
X	X	X	X	X	X	X	3		2	MFL20-10050801	FLAT, CONTROL BOX MOUNT	
X	X	X	X	X	X	X	4		2	MC-10005101	BUSHING, OILITE BRONZE PIVOT	
	X	X	X	X	X	X	5		1	MFL20-10051501	BOARD, CONTROL BOX CIRCUIT	
X									1	MFL20-10123801	BOARD, CONTROL BOX CIRCUIT	
X	X	X	X	X	X	X	6		1	MFL20-10065001	PLATE, CONTROL BOX MAIN MOUNT	
X	X	X	X	X	X	X	7		1	L20A-10066301	MOUNT, CONTROL BOX CONTROLLER ASM	
X	X	X	X	X	X	X	8		1	L20A-10060201	LOW SPEED LEVELING CONTROLLER ASM	
X	X	X	X	X	X	X	9		1	L20A-10060301	HIGH SPEED LEVELING CONTROLLER ASM	
X	X	X	X	X	X	X	10		2	EC-10000401	RECTIFIER	
X	X	X	X	X	X	X	11		2	EC-10055701	BODY, LIMIT SWITCH	
X	X	X	X	X	X	X	12		2	EC-10069201	HEAD, LIMIT SWITCH STRAIGHT PLUNGER	
X	X	X	X	X	X	X	13		1.2	EC-10001201	STRIP, 12 POSITION TERMINAL	
X	X	X	X	X	X	X	14		1	EC-10055501	FLANGE, 12 PIN RECEPTACLE MOUNTING	
X	X	X	X	X	X	X			1	EC-10016201	WEDGE, 12 PIN RECEPTACLE	
X	X	X	X	X	X	X			1	EC-10202101	GASKET, 12 PIN MOUNT FLANGE	
X	X	X	X	X	X	X	15		4	EC-10018601	STRAIN RELIEF	1/2 IN.
X	X	X	X	X	X	X	16		2	EC-10018701	LOCK NUT, STRAIN RELIEF	1/2 IN.
X	X	X	X	X	X	X	17		3	EC-10000901	BASE, AUTOMOTIVE RELAY	
X	X	X	X	X	X	X	18		3	EC-10001001	RELAY, AUTOMOTIVE	
X	X	X	X	X	X	X	19		1	EC-10077001	SWITCH, TOGGLE	AUTO/MANUAL LEVELING
X	X	X	X	X	X	X	20		1	EC-10017601	SWITCH, TOGGLE	MANUAL LEVELING
X	X	X	X	X	X	X	21		2	EC-10069301	NUT, DRESS	
X	X	X	X	X	X	X	22	21L-2300	1	MFL20-10076301	MOUNT, CAB STRAIN RELIEF	
X	X	X	X	X	X	X		21L-2300	1	EC-10018601	STRAIN RELIEF	1/2 IN.
X	X	X	X	X	X	X		21L-2300	1	EC-10018701	LOCK NUT, STRAIN RELIEF	1/2 IN.



1001 - 1014	1015 - 1030	1031 - 1039	1040 - 1042	1043 - 1052	1053 - 1063	1064 - 1081	REF.	MODEL	QTY	PART NO.	DESCRIPTION	WHERE USED
FASTENERS												
X	X	X	X	X	X	X	A		2	F-THM-04C12	THMS 1/4-20 X 3/4, SERR.	CONTROL BOX MPC
X	X	X	X	X	X	X	A		2	F-HNF-04C	HN 1/4-20, FLNG., SERR.	CONTROL BOX MPC
X	X	X	X	X	X	X	B		4	F-THM-04C08	THMS 1/4-20 X 1/2, SERR.	CONTROL BOX MOUNT
X	X	X	X	X	X	X	B		4	F-HNF-04C	HN 1/4-20, FLNG., SERR.	CONTROL BOX MOUNT
X	X	X	X	X	X	X	C		4	F-THM-04C12	THMS 1/4-20 X 3/4, SERR.	CONTROLLER SWING MNT
X	X	X	X	X	X	X	C		4	F-HNF-04C	HN 1/4-20, FLNG., SERR.	CONTROLLER SWING MNT
X	X	X	X	X	X	X	D		6	F-THM-04C08	THMS 1/4-20 X 1/2, SERR.	CONTROLLER MOUNT
X	X	X	X	X	X	X	E		2	F-THM-06C16	THMS 3/8-16 X 1, SERR.	MOUNT PLATE MOUNT
X	X	X	X	X	X	X	E		2	F-HNF-06C	HN 3/8-16, FLNG., SERR.	MOUNT PLATE MOUNT
X	X	X	X	X	X	X	F		8	F-PHM-#10C28	PHMS 10-24 X 1-3/4	LIMIT SWITCH MOUNT
X	X	X	X	X	X	X	F		8	F-HNF-#10C	HN 10-24, FLNG., SERR.	LIMIT SWITCH MOUNT
X	X	X	X	X	X	X	G		3	F-PHM-#6C12	PHMS 6-32 X 3/4	TERMINAL STRIP MOUNT
X	X	X	X	X	X	X	H		2	F-HNF-#10C	HN 10-24, FLNG., SERR.	RELAY MOUNT
X	X	X	X	X	X	X	H		2	F-PHM-#10C08	PHMS 10-24 X 1/2	RELAY MOUNT
X	X	X	X	X	X	X	I		1	F-THM-06C16	THMS 3/8-16 X 1	STRAIN RELIEF PLUG
X	X	X	X	X	X	X	J	21L-2300	4	F-TCH-#10C08	THREAD CUTTER, HWH 10-24 x 1/2	CAB STRAIN RELIEF MOUNT

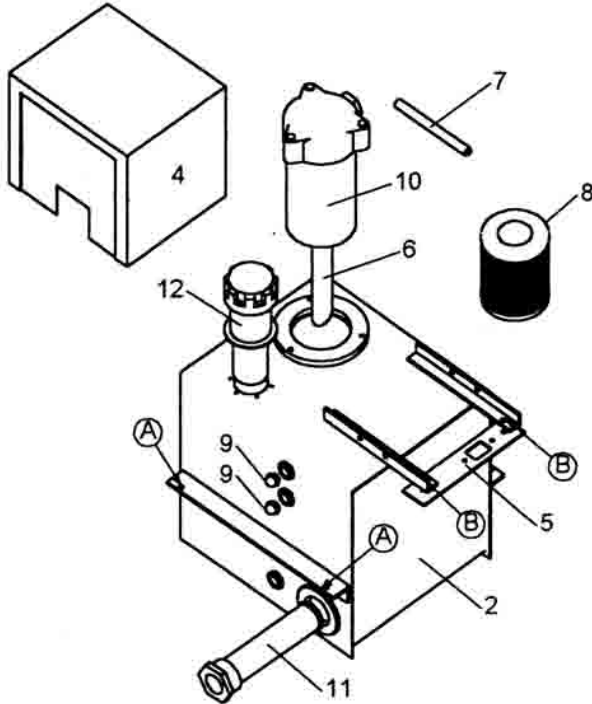
Cables and Connectors

Hillco Model 2000H Leveling System

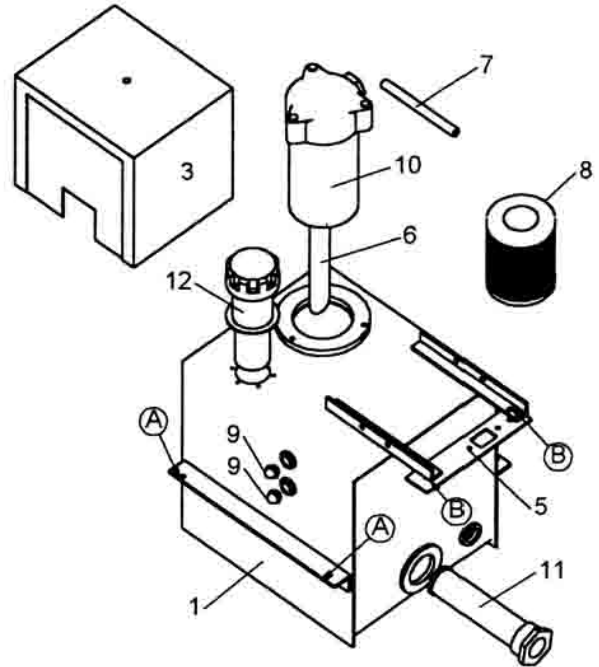


1001 - 1014	1015 - 1030	1031 - 1039	1040 - 1042	1043 - 1052	1053 - 1063	1064 - 1081	REF.	MODEL	QTY.	PART NO.	DESCRIPTION	WHERE USED
X	X	X	X	X	X	X	1		2	EC-10016101	PLUG, 12 PIN	
X	X	X	X	X	X	X	2		2	EC-10016301	WEDGE, 12 PIN PLUG	
X	X	X	X	X	X	X	3		2	EC-10016701	BOOT, 12 PIN PLUG	
X	X	X	X	X	X	X	4		1	EC-10055501	FLANGE, 12 PIN RECEPTACLE MOUNTING	
X	X	X	X	X	X	X	5		1	EC-10016201	WEDGE, 12 PIN RECEPTACLE	
X	X	X	X	X	X	X	6		1	EC-10055401	RECEPTACLE, 6 PIN	
X	X	X	X	X	X	X	7		1	EC-10055101	WEDGE, 6 PIN RECEPTACLE	
X	X	X	X	X	X	X	8		1	EC-10054901	BOOT, 6 PIN RECEPTACLE	
X	X	X	X	X	X	X	9		1	EC-10055301	PLUG, 6 PIN	
X	X	X	X	X	X	X	10		1	EC-10055201	WEDGE, 6 PIN PLUG	
X	X	X	X	X	X	X	11		1	EC-10055001	BOOT, 6 PIN PLUG	
X	X	X	X	X	X	X	12		7	EC-10062801	PLUG, SEALING	
X	X	X	X	X	X	NS			20	EC-10016401	PIN, ELECTRICAL	
X	X	X	X	X	X	NS			27	EC-10016501	SOCKET, ELECTRICAL	
X	X	X	X	X	X	NS			2	ET-ST-20#6	TERMINAL, RING, #6, 20 GA., NON-INSULATED	
X	X	X	X	X	X	NS			3	ET-ST-2005	TERMINAL, RING, 5/16, 20 GA., NON-INSULATED	
X	X	X	X	X	X	NS	1600		2	EC-10002101	HOLD DOWN, ADHESIVE BACK WIRE TIE	
X	X	X	X	X	X	NS	1600		0.25	EC-10001201	STRIP, 12 POSITION TERMINAL	
X	X	X	X	X	X	NS	1600		1	EC-10002001	BREAKER, CIRCUIT	
X	X	X	X	X	X	NS	1600		6	EC-10016401	PIN, ELECTRICAL	
X	X	X	X	X	X	NS	1600		12	EC-10000801	TERMINAL, AUTOMOTIVE RELAY, FEMALE SPADE	
X	X	X	X	X	X	NS	1600		11	ET-ST-20#6	TERMINAL, RING, #6, 20 GA., NON-INSULATED	
X	X	X	X	X	X	NS	1600		1	ET-ST-2005	TERMINAL, RING, 5/16, 20 GA., NON-INSULATED	
X	X	X	X	X	X	NS	1600		6	ET-ST-20#10	TERMINAL, RING, #10, 20 GA., NON-INSULATED	
X	X	X	X	X	X	NS	21-2300		1	ET-SL-20	CONNECT, QUICK, 20 GA., BLUE	
X	X	X	X	X	X	NS	21-2300		6	EC-10016401	PIN, ELECTRICAL	
X	X	X	X	X	X	NS	21-2300		8	EC-10000801	TERMINAL, AUTOMOTIVE RELAY, FEMALE SPADE	
X	X	X	X	X	X	NS	21-2300		10	ET-ST-20#6	TERMINAL, RING, #6, 20 GA., NON-INSULATED	
CABLES AND WIRES												
X	X	X	X	X	X				1	L20A-10057001	CABLE 1	RESERVOIR MPC TO SOLENOID
X	X	X	X	X	X				1	L20A-10057101	CABLE 2	RESERVOIR MPC TO SOLENOID
X	X	X	X	X	X				1	L20A-10057201	CABLE 3	RESERVOIR MPC TO SOLENOID
X	X	X	X	X	X				1	L20A-10057301	CABLE 4	RESERVOIR TO CONTROL BOX
X	X	X	X	X	X				1	L20A-10057401	CABLE 5	CONTROL BOX TO SIDE OF CAB
X	X	X	X	X	X				1	L20A-10057501	CABLE 6	RHT LIMIT SWITCH TO CONTROL BOX
X	X	X	X	X	X				1	L20A-10057601	CABLE 7	LFT LIMIT SWITCH TO CONTROL BOX
X	X	X	X	X	X		21-2300		1	L20A-10057701	CABLE 8	SIDE OF CAB TO CONSOLE
X	X	X	X	X	X		1600		1	L20A-10081801	CABLE 9	SIDE OF CAB TO CONSOLE
X	X	X	X	X	X		1600		1	L20A-10081901	CABLE 10	CONSOLE TO RELAY BLOCKS
X	X	X	X	X	X				1	L20A-10057801	WIRE 16, 17, AND 18	RESERVOIR MPC GROUNDING
X	X	X	X	X	X		21-2300		1	L20A-10058101	WIRE 19	SP SWITCH TO QUICK CONNECT
X	X	X	X	X	X		21-2300		1	L20A-10058201	WIRE 20	SP SWITCH TO DP SWITCH
X	X	X	X	X	X		21-2300		1	L20A-10058301	WIRE 21	DP SWITCH TO DP SWITCH
X	X	X	X	X	X		21-2300		1	L20A-10058401	WIRE 22 AND 23	SP SWITCH TO RELAY BLOCK
X	X	X	X	X	X		21-2300		1	L20A-10058601	WIRE 24	SP SWITCH TO RELAY BLOCK
X	X	X	X	X	X		21-2300		1	L20A-10058701	WIRE 25, 26, AND 27	RELAY BLOCKS TO CIRC. BRKR
X	X	X	X	X	X		21-2300		1	L20A-10059001	WIRE 28	RELAY BLOCK TO DEUTSCH SOCKET
X	X	X	X	X	X		21-2300		1	L20A-10059101	WIRE 29	RELAY BLOCK TO DEUTSCH SOCKET
X	X	X	X	X	X		21-2300		1	L20A-10059201	WIRE 35 AND 36	DP SWITCH TO RELAY BLOCK
X	X	X	X	X	X				1	L20A-10059401	WIRE 43	CONTROL BOX MPC TO WIRE BOARD
X	X	X	X	X	X				1	L20A-10059501	WIRE 44	CONTROL BOX MPC TO WIRE BOARD
X	X	X	X	X	X				1	L20A-10059601	WIRE 45	CONTROL BOX MPC TO WIRE BOARD
X	X	X	X	X	X				1	L20A-10059701	WIRE 46	CONTROL BOX MPC TO WIRE BOARD
X	X	X	X	X	X				1	L20A-10059801	WIRE 47	CONTROL BOX MPC TO WIRE BOARD
X	X	X	X	X	X				1	L20A-10059901	WIRE 48	CONTROL BOX MPC TO WIRE BOARD
X	X	X	X	X	X				1	L20A-10060001	WIRE 49	CONTROL BOX MPC TO WIRE BOARD
X	X	X	X	X	X				1	L20A-10060101	WIRE 50	CONTROL BOX MPC TO WIRE BOARD
X	X	X	X	X	X				1	L20A-10060401	WIRE 59	CONTROL BOX MPC TO WIRE BOARD
X	X	X	X	X	X				1	L20A-10060501	WIRE 60	CONTROL BOX MPC TO WIRE BOARD
X	X	X	X	X	X				1	L20A-10060601	WIRE 69	CONTROL BOX MPC TO WIRE BOARD
X	X	X	X	X	X				1	L20A-10060701	WIRE 70	WIRE CONNECTOR IN TERMINAL STRIP
X	X	X	X	X	X		1600		1	L20A-10082301	WIRE 72	CIRC. BRKR GROUND TO GROUND
X	X	X	X	X	X		1600		1	L20A-10082401	WIRE 73	RELAY BLOCK TO CIRC. BRKR
X	X	X	X	X	X		1600		1	L20A-10082501	WIRE 74	RELAY BLOCK TO CIRC. BRKR
X	X	X	X	X	X		1600		1	L20A-10082901	WIRE 75, 76, AND 77	RELAY BLOCK TO CIRC. BRKR
X	X	X	X	X	X		1600		1	L20A-10082001	WIRE 87	SP SWITCH TO DP SWITCH
X	X	X	X	X	X		1600		1	L20A-10082101	WIRE 88	DP SWITCH TO DP SWITCH
X	X	X	X	X	X		1600		1	L20A-10082201	WIRE 89	DP SWITCH TO DP SWITCH

Early Model Reservoir for Serial Numbers 280H-1001 Thru 280H-1014



Late Model Reservoir for Serial Numbers 280H-1015 Thru 280H-1081

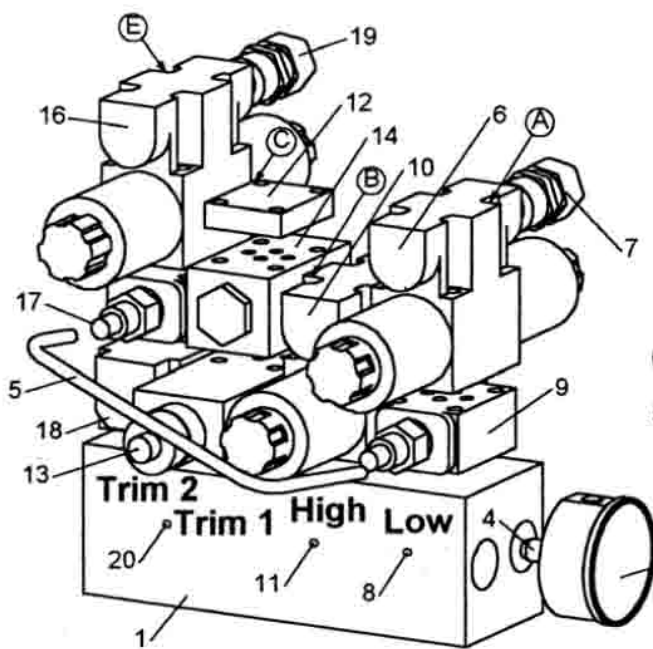


1001 - 1014	1015 - 1030	1031 - 1039	1040 - 1042	1043 - 1052	1053 - 1063	1064 - 1081	REF.	MODEL	QTY.	PART NO.	DESCRIPTION	WHERE USED
X							1		1	L20A-10123101	RESERVOIR, EARLY ASM	
	X	X	X	X	X	X	2		1	L20A-10049501	RESERVOIR, LATE ASM	
X	X	X	X	X	X	X	...		1	HC-10033501	SEAL KIT, ORB #20 - #4	
	X	X	X	X	X	X	3		1	L20A-10064801	COVER, RESERVOIR ASM	
X							4		1	L20A-10122801	COVER, RESERVOIR ASM	
X	X	X	X	X	X	X	5		1	MFL20-10061101	PLATE, RESERVOIR MPC MOUNT	
X	X	X	X	X	X	X	6		1	MFL20-10061401	TUBE, RESERVOIR FILTER DOWN	
X	X	X	X	X	X	X	7		1	MFL20-10072201	TUBE, RESERVOIR RETURN	
X	X	X	X	X	X	X	8		1	HC-10080701	ELEMENT, RETURN FILTER	
X	X	X	X	X	X	X	9		1	HC-10081501	FILTER, RETURN ASM	
X	X	X	X	X	X	X	...		1	HC-10178001	SEAL KIT, RETURN FILTER ASM	
X	X	X	X	X	X	X	10		2	HC-10081301	GLASS, BULL'S EYE SIGHT	
X	X	X	X	X	X	X	11		1	HC-10081601	SCREEN, SUCTION	
X	X	X	X	X	X	X	12		1	HC-10081701	BREATHER, RAISED FILLER	
X	X	X	X	X	X	X	...		1	HC-10178101	SEAL KIT, RAISED FILLER BREATHER	
FASTENERS												
X	X	X	X	X	X	X	A		4	F-THM-05C12	THMS 5/16-18 X 3/4	RESERVOIR MOUNT
X	X	X	X	X	X	X	A		4	F-HNF-05C	HN 5/16-18, FLNG., SERR.	RESERVOIR MOUNT
X	X	X	X	X	X	X	B		2	F-THM-05C12	THMS 5/16-18 X 3/4	RESERVOIR MPC MOUNT

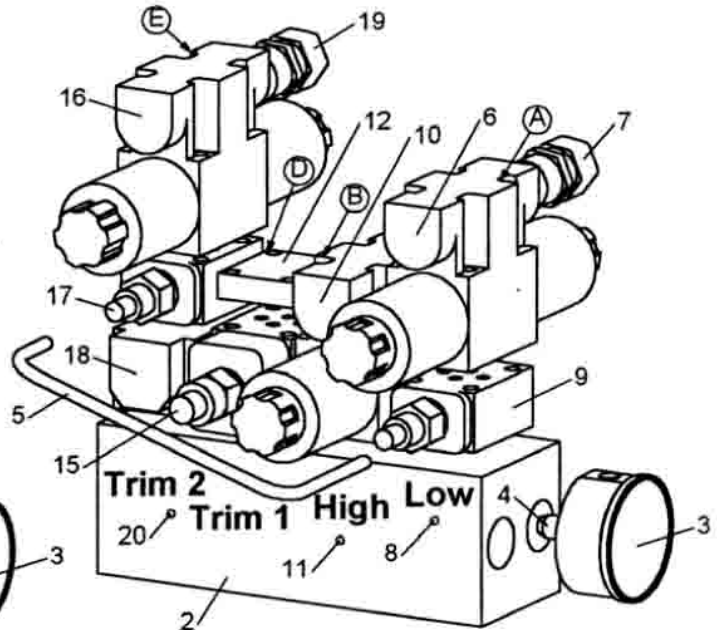
Hydraulic Manifold

Hilco Model 2000H Leveling System

For S/N 280H-1043 Thru 1052 Do Not Include the Anti-Cavity Check in the Trim 1 Valve Stack.



**Early Manifold Asm.
(Non-Poppet Style)**



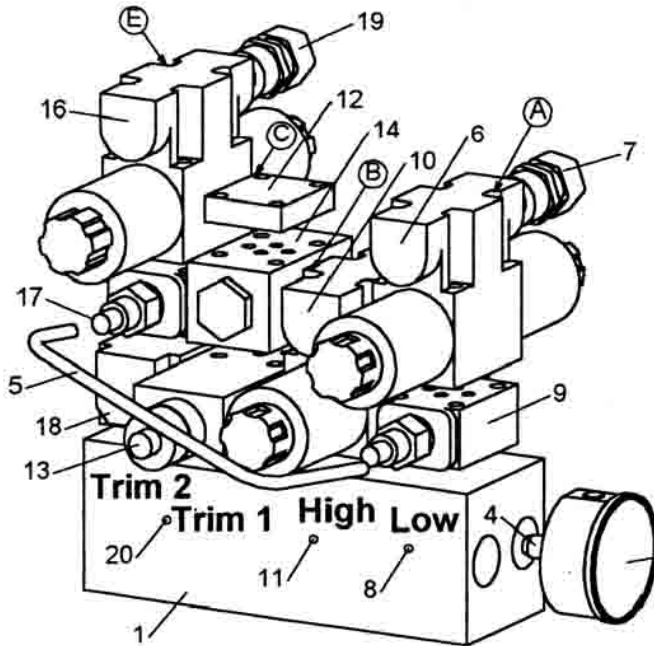
**Late Manifold Asm.
(Poppet Style)**

1001 - 1014	1015 - 1030	1031 - 1039	1040 - 1042	1043 - 1042	1053 - 1083	1084 - 1081	REF	MODEL	QTY	PART NO	DESCRIPTION	WHERE USED
X	X	X	X	X			1		1	HC-10096501	MANIFOLD, NON-POPPET	
					X	X	2			HC-10101801	MANIFOLD, POPPET	
X	X	X	X	X	X	X	NS		1	HA-E-4MO	ADAPTER, HYDRAULIC	#4 MORB PLUG
X	X	X	X	X	X	X	3		1	HC-10101901	GAUGE, PRESSURE	
X	X	X	X	X	X	X	4		1	HA-S-4FP10MO	ADAPTER, HYDRAULIC	#4 FPIPE X#10 MORB, STR.
X	X	X	X	X	X	X	5		1	MFL20-10072101	TUBE, MANIFOLD LOAD SENSE	
LOW SPEED STATION												
X	X	X	X	X	X	X	6		1	HC-10096901	VALVE, DIRECTIONAL CONTROL	LOW SPEED, 20 AND 30 SERIES (SEE PAGE 8-10)
X*	X*	X*	X*	X*	X*	X*			2	HC-10080801	COIL, DIRECTIONAL CONTROL VALVE	20 SERIES (COIL DEPENDS ON VALVE SERIES NUMBER)
X*	X*	X*	X*	X*	X*	X*			2	HC-10205201	COIL, DIRECTIONAL CONTROL VALVE	30 SERIES (COIL DEPENDS ON VALVE SERIES NUMBER)
X	X	X	X	X	X	X				HC-10102001	SEAL KIT, COIL O-RING	
X	X	X	X	X	X	X	7		1	EC-10018601	STRAIN RELIEF, 1/2 IN.	
X	X	X	X	X	X	X	8		1	HC-10080901	ORIFICE, LOW SPEED LEVEL	
X	X	X	X	X	X	X	9		1	HC-10126401	VALVE, COMPLETE LOAD SENSE	
X	X	X	X	X	X	X				HC-10102101	CARTRIDGE, LOAD SENSE VALVE	
X	X	X	X	X	X	X				HC-10102201	HOUSING, LOAD SENSE VALVE	
X	X	X	X	X	X	X				HC-10208201	SEAL KIT, LOAD SENSE O-RING	
X	X	X	X	X	X	X	NS		1	HC-10102401	SUBPLATE	
X	X	X	X	X	X	X				HC-10033801	SEAL KIT, SUB-PLATE O-RING	
HIGH SPEED STATION												
X	X	X	X	X	X	X	10		1	HC-10096901	VALVE, DIRECTIONAL CONTROL	HIGH SPEED, 20 AND 30 SERIES (SEE PAGE 8-10)
X*	X*	X*	X*	X*	X*	X*			2	HC-10080801	COIL, DIRECTIONAL CONTROL VALVE	20 SERIES (COIL DEPENDS ON SERIES OF VALVE)
X*	X*	X*	X*	X*	X*	X*			2	HC-10205201	COIL, DIRECTIONAL CONTROL VALVE	30 SERIES (COIL DEPENDS ON SERIES OF VALVE)
X	X	X	X	X	X	X				HC-10102001	SEAL KIT, COIL O-RING	
X	X	X	X	X	X	X	NS		1	EC-10018601	STRAIN RELIEF, 1/2 IN.	
X	X	X	X	X	X	X	11		1	HC-10081001	ORIFICE, HIGH SPEED LEVEL	

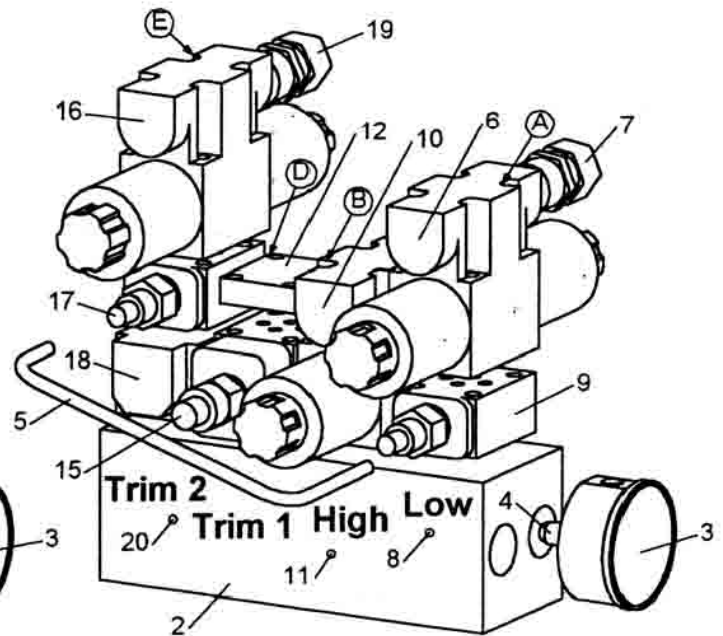
Hydraulic Manifold

Hillco Model 2000H Leveling System

For S/N 280H-1043 Thru 1052 Do Not Include the Anti-Cavity Check in the Trim 1 Valve Stack.



**Early Manifold Asm.
(Non-Poppet Style)**



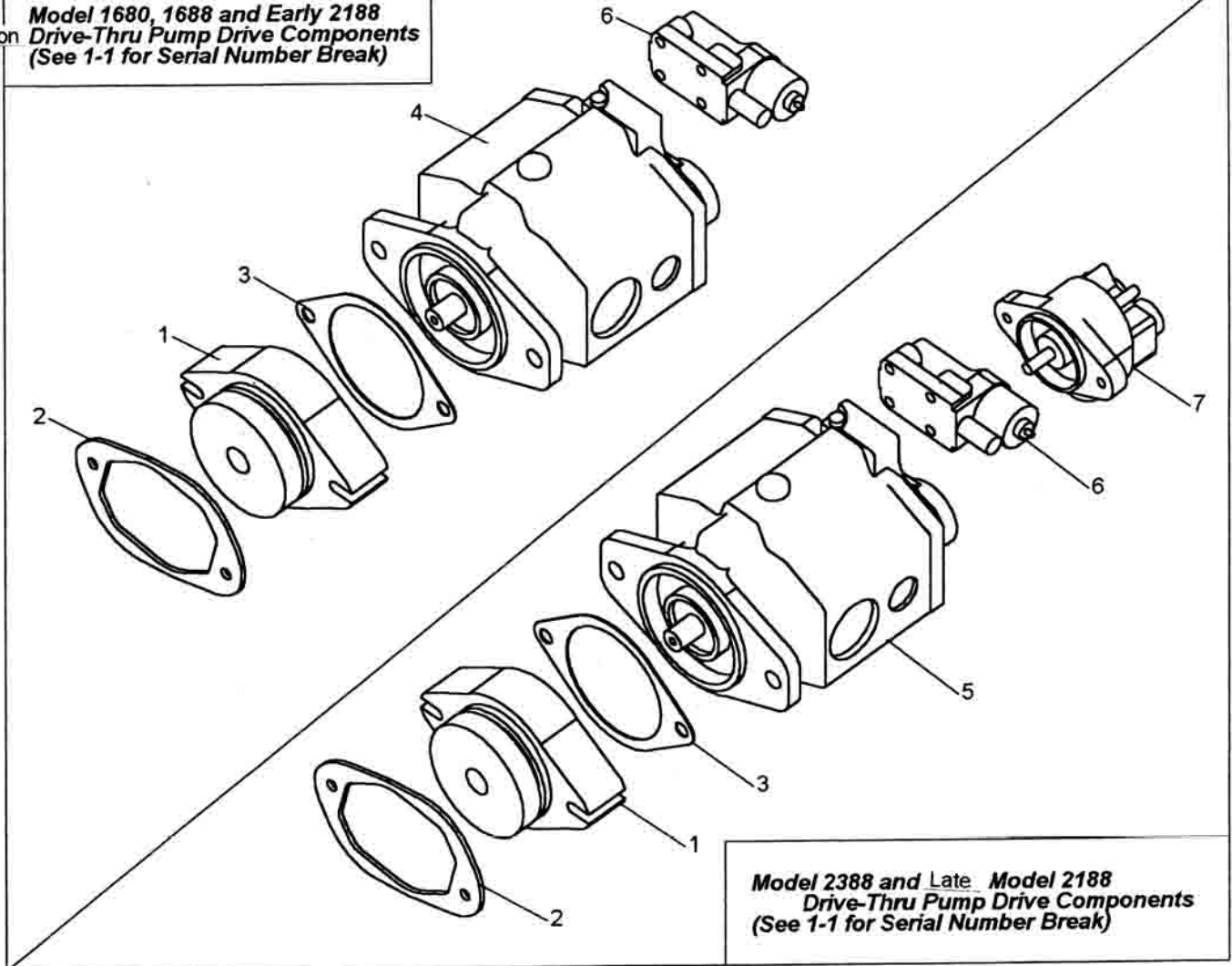
**Late Manifold Asm.
(Poppet Style)**

1001 - 1014	1015 - 1030	1031 - 1039	1040 - 1042	1043 - 1052	1053 - 1063	1084 - 1081	REF	MODEL	QTY.	PART NO.	DESCRIPTION	WHERE USED
HEADER TRIM STATION #1												
X	X	X	X	X	X	X	12		1	HC-10102501	COVER PLATE	
X	X	X	X	X	X	X				HC-10033801	SEAL KIT, SUB-PLATE O-RING	
X	X	X	X	X			13		1	HC-10102801	VALVE, HEADER TRIM RELIEF	LEFT/RIGHT, NON-POPPET (SEE PAGE 8-11)
X	X	X	X	X						HC-10301501	SEAL KIT, HEADER TRIM RELIEF	NON-POPPET VALVE
X	X	X	X				14		1	HC-10050201	ANTI-CAVITATION BLOCK	(SEE PAGE 8-11)
X	X	X	X							HC-10188001	SEAL KIT, ANTI-CAVITATION BLOCK	
					X	X	15		1	HC-10231701	VALVE, HEADER TRIM RELIEF	LEFT/RIGHT, POPPET
					X	X				HC-10103801	SEAL KIT, HEADER TRIM RELIEF	POPPET VALVE
HEADER TRIM STATION #2												
X	X	X	X	X	X	X	16		1	HC-101030	VALVE, DIRECTIONAL CONTROL	HEADER TRIM, 20 AND 30 SERIES (SEE PG 8-10)
X	X	X	X	X	X	X			2	HC-10080801	COIL, DIRECTIONAL CONTROL VALVE	20 SERIES (COIL DEPENDS ON SERIES OF VALVE)
X	X	X	X	X	X	X			2	HC-10205201	COIL, DIRECTIONAL CONTROL VALVE	30 SERIES (COIL DEPENDS ON SERIES OF VALVE)
X	X	X	X	X	X	X				HC-10102001	SEAL KIT, COIL O-RING	
X	X	X	X	X	X	X	17		1	HC-10128401	VALVE, COMPLETE LOAD SENSE	
X	X	X	X	X	X	X				HC-10102101	CARTRIDGE, LOAD SENSE VALVE	
X	X	X	X	X	X	X				HC-10102201	HOUSING, LOAD SENSE VALVE	
X	X	X	X	X	X	X				HC-10208201	SEAL KIT, LOAD SENSE O-RING	
X	X	X	X	X	X	X	18		1	HC-10103401	VALVE, PILOT CHECK, A-B	
X	X	X	X	X	X	X				HC-10106401	SEAL KIT, PILOT CHECK VALVE	
X	X	X	X	X	X	X	19		1	EC-10018601	STRAIN RELIEF, 1/2 IN.	
X	X	X	X	X	X	X	20		1	HC-10081101	ORIFICE, HEADER TRIM	
X	X	X	X	X	X	X	NS		1	HC-10102401	SUBPLATE	
X	X	X	X	X	X	X				HC-10033801	SEAL KIT, SUB-PLATE O-RING	
FASTENERS												
X	X	X	X	X	X	X	A		1	HC-10125901	BOLT KIT	LOW SPEED STATION
X	X	X	X	X	X	X	B		1	HC-10126201	BOLT KIT	HIGH SPEED STATION
X	X	X	X				C		1	HC-10126001	BOLT KIT - NON-POPPET WITH ANTI-CAV	HEADER TRIM STATION #1
			X				C		1	HC-10308501	BOLT KIT - NON-POPPET WITHOUT ANTI-CAV	HEADER TRIM STATION #1
				X	X		D		1	HC-10308501	BOLT KIT - POPPET STYLE WITHOUT ANTI-CAV	HEADER TRIM STATION #1
X	X	X	X	X	X	X	E		1	HC-10126101	BOLT KIT	HEADER TRIM STATION #2

Pump Drive Components

Hillco Model 2000H Leveling System

Non Model 1680, 1688 and Early 2188 Drive-Thru Pump Drive Components (See 1-1 for Serial Number Break)



Model 2388 and Late Model 2188 Drive-Thru Pump Drive Components (See 1-1 for Serial Number Break)

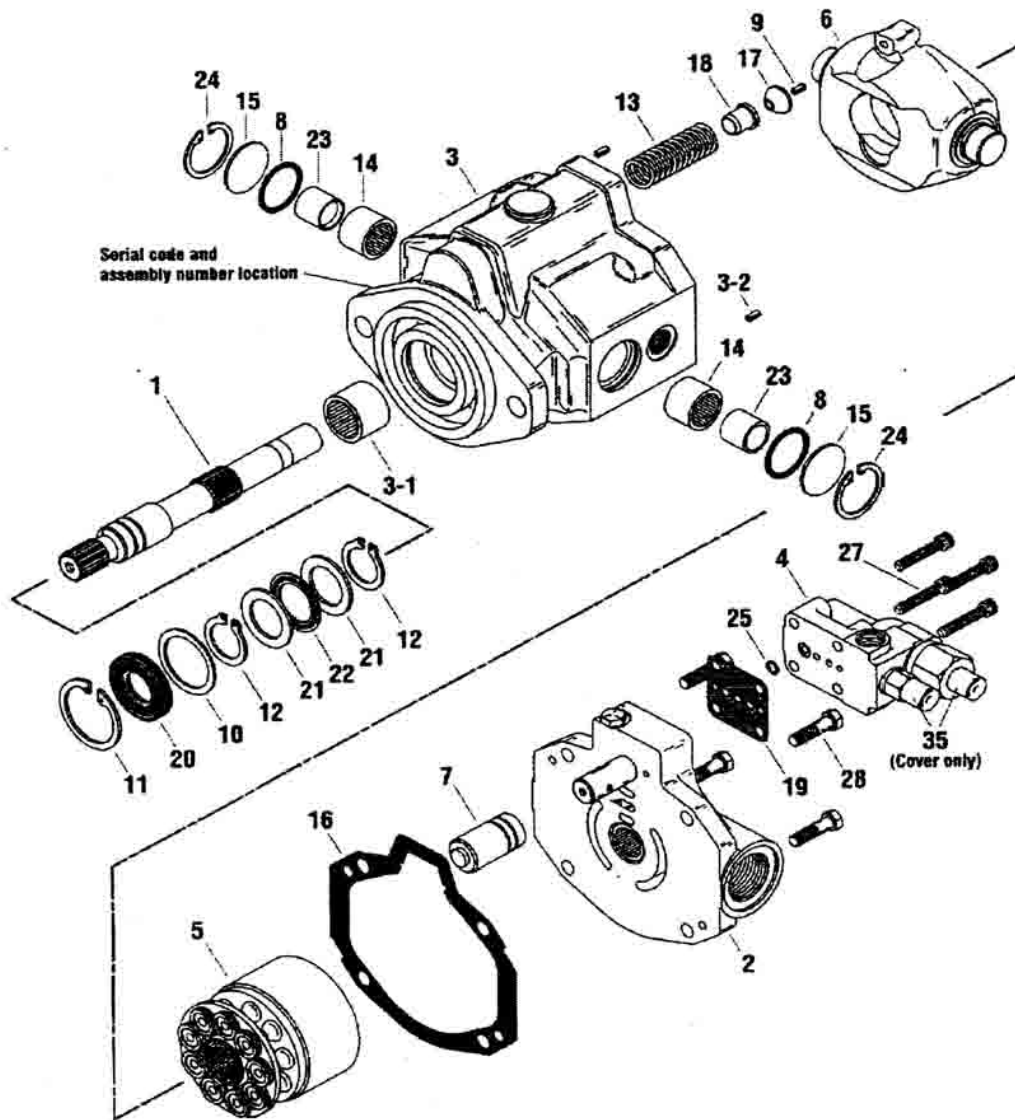
1001 - 1014	1015 - 1030	1031 - 1039	1040 - 1042	1043 - 1052	1053 - 1063	1064 - 1081	REF.	MODEL	QTY.	PART NO.	DESCRIPTION	WHERE USED
X	X	X	X	X	X	X	1		1	HC-10071201	ADAPTER, PUMP DRIVE	
X	X	X	X	X	X	X	2		1	HC-10071301	GASKET, STEEL, PUMP DRIVE ADAPTER	
X	X	X	X	X	X	X	3		1	HC-10071401	GASKET, FIBER, PUMP DRIVE ADAPTER	
X	X	X	X	X	X	X	4	16-2100E	1	HC-10106301	PUMP, HYDRAULIC PISTON, NON-DRIVE THRU	(SEE PAGES 8-7 AND 8-8)
X	X	X	X	X	X	X	...	16-2100E	1	HC-10206701	SEAL KIT, PUMP, NON DRIVE-THRU	
X	X	X	X	X	X	X	...	16-2100E	1	HC-10034101	SEAL, PUMP MAIN SHAFT	
X	X	X	X	X	X	X	...	16-2100E	1	HC-10034201	SEAL, PINTLE SHAFT	
X	X	X	X	X	X	X	5	21L-2300	1	HC-10106201	PUMP, HYDRAULIC PISTON, DRIVE THRU	(SEE PAGES 8-5 AND 8-6)
X	X	X	X	X	X	X	...	21L-2300	1	HC-10206701	SEAL KIT, PUMP, DRIVE-THRU	
X	X	X	X	X	X	X	...	21L-2300	1	HC-10034101	SEAL, PUMP MAIN SHAFT	
X	X	X	X	X	X	X	...	21L-2300	1	HC-10034201	SEAL, PINTLE SHAFT	
X	X	X	X	X	X	X	...	21L-2300	1	HC-10125301	BOLT, GEAR PUMP MOUNTING	
X	X	X	X	X	X	X	6		1	HC-10309901	COMPENSATOR ASM, FLOW CONTROL	SEE PAGE 8-9
X	X	X	X	X	X	X	...		1	HC-10239901	GASKET, COMPENSATOR	INCLUDED IN SEAL KIT (HC-10206701)
X	X	X	X	X	X	X	7	21L-2300	1	HC-101061	PUMP, PIGGY BACK GEAR (* REPLACED BY HC-10310001)	DISCONTINUED
X	X	X	X	X	X	X	...	21L-2300	1	HC-10310001	PUMP, MODIFIED PIGGY BACK	REPLACES HC-10106101
X	X	X	X	X	X	X	NS	21L-2300	1	HC-10125401	O-RING, GEAR PUMP MOUNTING	
X	X	X	X	X	X	X	NS	21L-2300	1	HC-10178301	GASKET, GEAR PUMP MOUNTING	
X	X	X	X	X	X	X	...	21L-2300	1	HC-10178201	SEAL KIT, GEAR PUMP SHAFT FOR CESSNA PUMP	
FASTENERS												
X	X	X	X	X	X	X			2	F-HNM-12C	HN 12MM	PUMP MOUNT
X	X	X	X	X	X	X			2	F-LWM-12	LW 12MM	PUMP MOUNT
X	X	X	X	X	X	X			2	F-SM-12C90	DE STUD 12 x 1.75 x 90MM	PUMP MOUNT

HC-135381 SEAL KIT, FOR COMMERCIAL GEAR PUMP

Drive Thru Pump Assembly

Hillco Model 2000H Leveling System

This Pump Is Used On Model 2388 and Late Model 2188 Combines.
(See 1-1 For Serial Number Break)

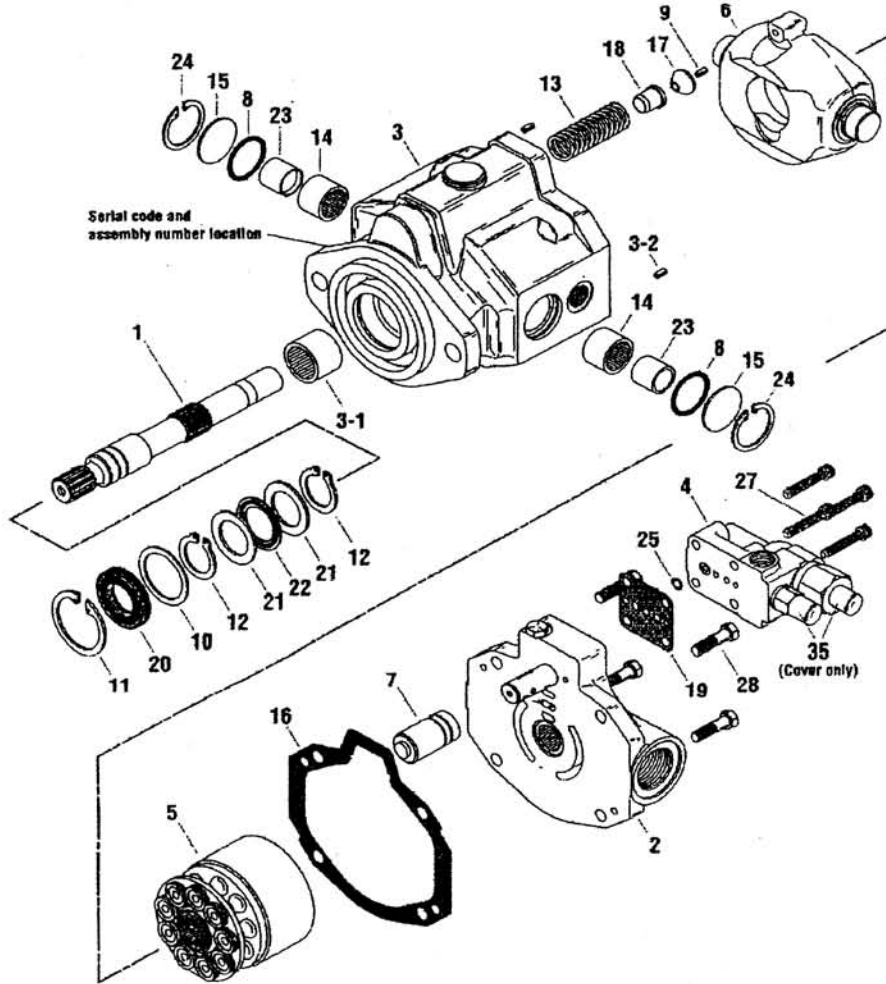


1001 - 1014	1015 - 1030	1031 - 1039	1040 - 1042	1043 - 1052	1063 - 1063	1064 - 1081	REF.	MODEL	QTY.	PART NO.	PART NAME	DESCRIPTION
X	X	X	X	X	X	X	19		1	HC-10239901	GASKET, COMPENSATOR	INCLUDED IN SEAL KIT (HC-10206701)
X	X	X	X	X	X	X	20		1	HC-10034101	SEAL, SHAFT	
							20		..	HC-10302301	SEAL, VITON SHAFT	PREMIUM
X	X	X	X	X	X	X	21		2	HC-10295401	WASHER, THRUST	
X	X	X	X	X	X	X	22		1	HC-10295501	BEARING, THRUST	
X	X	X	X	X	X	X	23		2	HC-10296001	RACE, INNER	
X	X	X	X	X	X	X	24		2	HC-10296201	RING, RETAINING	INCLUDED IN SEAL KIT (HC-10206701)
X	X	X	X	X	X	X	25		1	HC-10298301	O-RING, 1/16 X 1/4 I.D.	INCLUDED IN SEAL KIT (HC-10206701)
X	X	X	X	X	X	X	27		4	HC-10298401	SCREW, ALLEN HEAD CAP	
X	X	X	X	X	X	X	28		4	HC-10298201	SCREW, CAP	
X	X	X	X	X	X	X	33		2	HC-10296801	CAP SCREW, COVER PLATE	
X	X	X	X	X	X	X	NS		1	HC-10296901	O-RING, 1/16 X 19/64 ID	INCLUDED IN SEAL KIT (HC-10206701)
X	X	X	X	X	X	X	35		2	HC-10297001	COVER	
FASTENERS												
X	X	X	X	X	X	X	NS		2	F-STD-12M90U	STUD, METRIC, DE 12 X 1.75 X 90	PUMP DRIVE MOUNTING BOLT
X	X	X	X	X	X	X	NS		2	F-IN-12MZ	NUT, HEX, METRIC, 12 X 1.75	PUMP DRIVE MOUNTING NUT
X	X	X	X	X	X	X	NS		2	F-LW-12MZ	WASHER, LOCK, METRIC, 12	PUMP DRIVE MOUNTING LOCK WASHER

Non-Drive Thru Pump Assembly

Hillco Model 2000H Leveling System

This Pump Is Used On Model 1600, 1688 and Early Model 2188 Combines.
(See 1-1 For Serial Number Break)

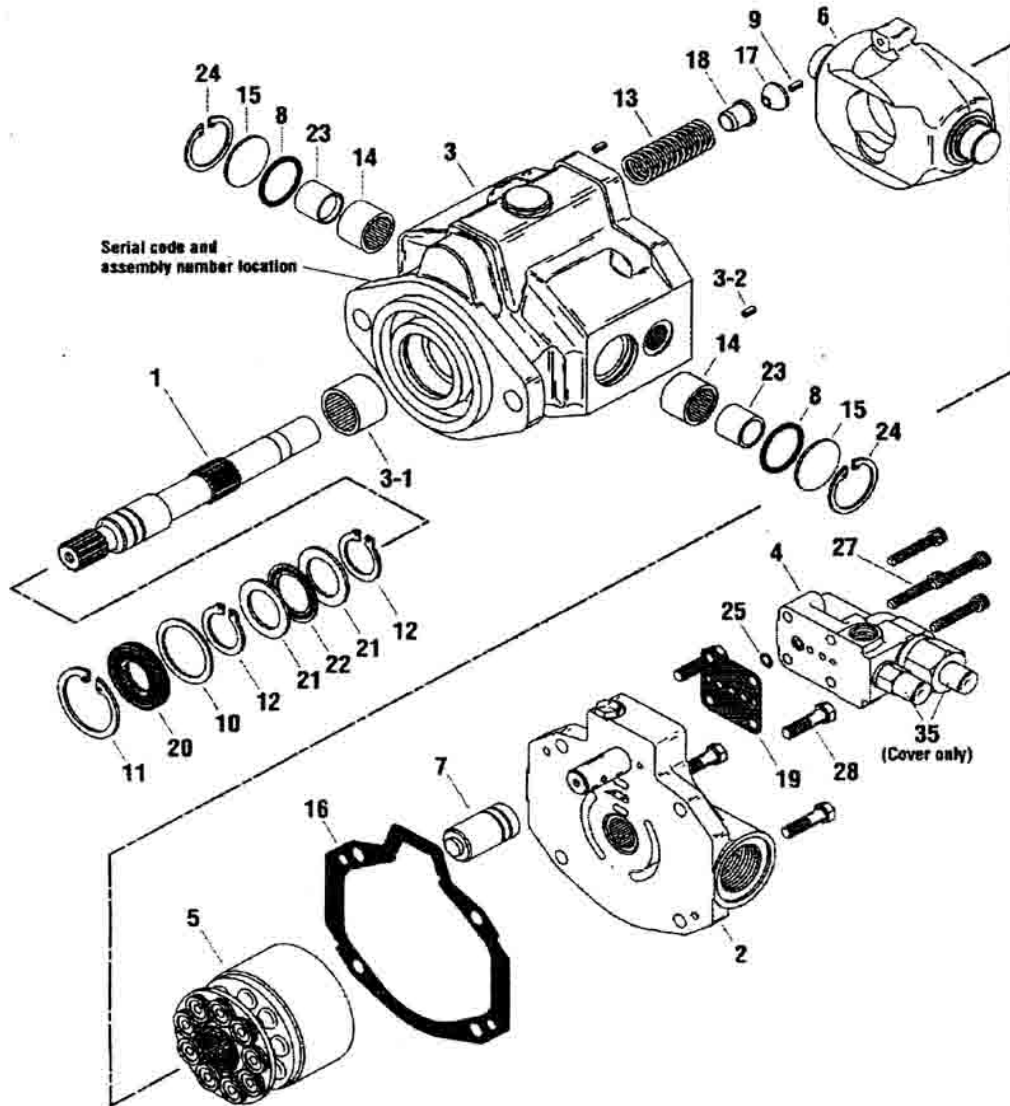


1001 - 1014	1015 - 1030	1031 - 1039	1040 - 1042	1043 - 1052	1053 - 1063	1064 - 1081	REF.	MODEL	QTY.	PART NO.	PART NAME	DESCRIPTION
X	X	X	X	X	X	X	NS		1	HC-10206701	KIT, SEAL, PUMP AND COMPENSATOR	
X	X	X	X	X	X	X	..		1	HC-10106301	PUMP, HYDRAULIC	NON-DRIVE THRU
X	X	X	X	X	X	X	1		1	HC-10295701	SHAFT, DRIVE	
X	X	X	X	X	X	X	2		1	HC-10298101	BACKPLATE ASSEMBLY	NON-DRIVE THRU
X	X	X	X	X	X	X	3		1	HC-10295801	HOUSING ASSEMBLY	
X	X	X	X	X	X	X	3-1		1	HC-10297101	BEARING	
X	X	X	X	X	X	X	3-2		2	HC-10297201	ROLL PIN	
X	X	X	X	X	X	X	4		1	HC-10309901	COMPENSATOR ASM, FLOW CONTROL	SEE PAGE 8-9
X	X	X	X	X	X	X	5		1	HC-10297701	KIT, ROTATING ASSEMBLY	
X	X	X	X	X	X	X	6		1	HC-10296701	CAMPLATE	
X	X	X	X	X	X	X	7		1	HC-10297801	PISTON, CONTROL	
X	X	X	X	X	X	X	8		2	HC-10034201	O-RING, 3/32 X 1-7/16 I.D.	INCLUDED IN SEAL KIT (HC-10206701)
X	X	X	X	X	X	X	9		1	HC-10296601	PIN, ROLL	
X	X	X	X	X	X	X	10		1	HC-10295201	WASHER	
X	X	X	X	X	X	X	11		1	HC-10295101	RING, RETAINING	INCLUDED IN SEAL KIT (HC-10206701)
X	X	X	X	X	X	X	12		2	HC-10295301	RING, RETAINING	INCLUDED IN SEAL KIT (HC-10206701)
X	X	X	X	X	X	X	13		1	HC-10296301	SPRING, CAMPLATE CONTROL	
X	X	X	X	X	X	X	14		2	HC-10295901	BEARING, NEEDLE	
X	X	X	X	X	X	X	15		2	HC-10296101	COVER, TRUNION	
X	X	X	X	X	X	X	16		1	HC-10297901	GASKET	INCLUDED IN SEAL KIT (HC-10206701)
X	X	X	X	X	X	X	17		1	HC-10296501	BUTTON, PIVOT	
X	X	X	X	X	X	X	18		1	HC-10296401	COLLAR, SPRING	

Non-Drive Thru Pump Assembly

Hillco Model 2000H Leveling System

This Pump Is Used On Model 1600, 1688 and Early Model 2188 Combines.
(See 1-1 For Serial Number Break)

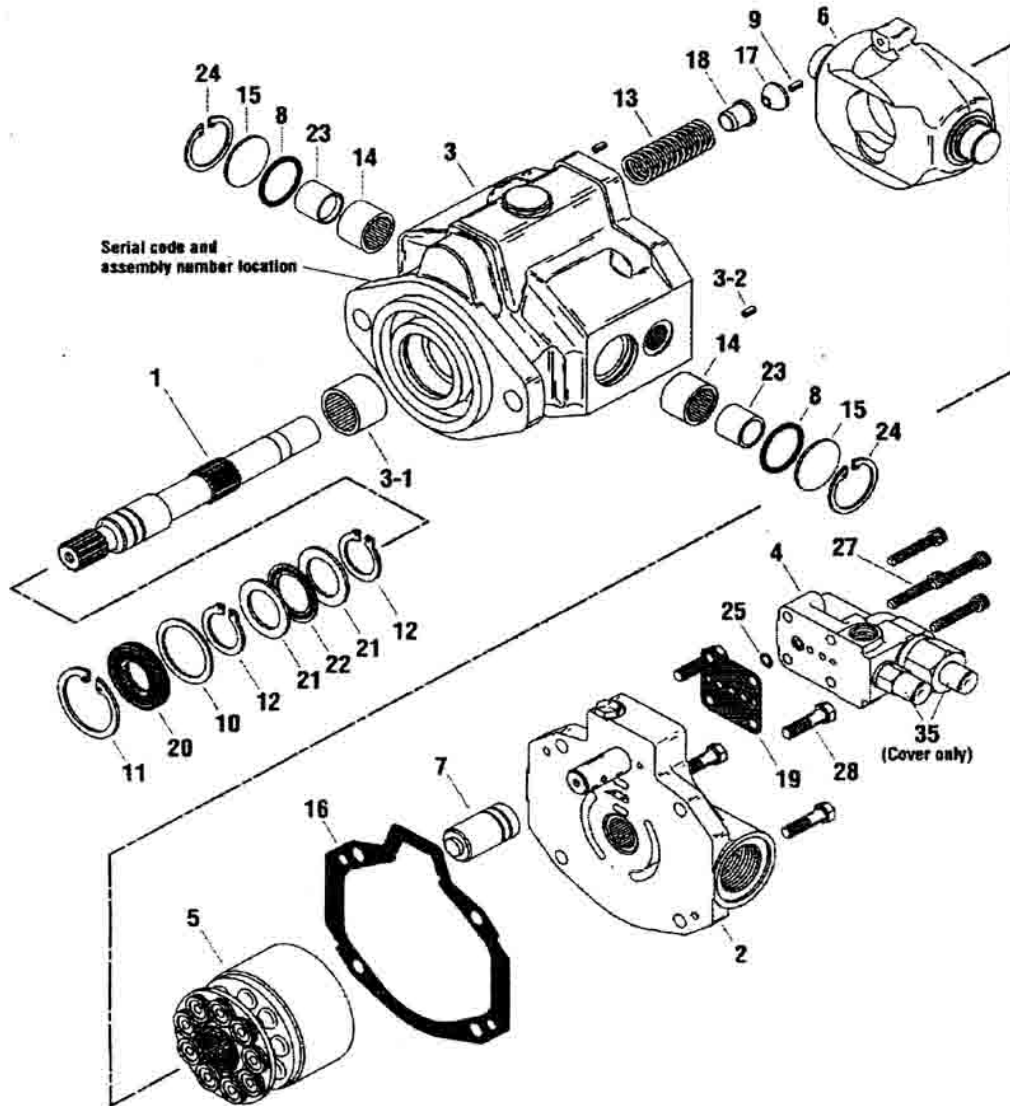


1001 - 1014	1015 - 1030	1031 - 1039	1040 - 1042	1043 - 1052	1063 - 1063	1064 - 1081	REF.	MODEL	QTY.	PART NO.	PART NAME	DESCRIPTION
X	X	X	X	X	X	X	19		1	HC-10239901	GASKET, COMPENSATOR	INCLUDED IN SEAL KIT (HC-10206701)
X	X	X	X	X	X	X	20		1	HC-10034101	SEAL, SHAFT	
							20		..	HC-10302301	SEAL, VITON SHAFT	PREMIUM
X	X	X	X	X	X	X	21		2	HC-10295401	WASHER, THRUST	
X	X	X	X	X	X	X	22		1	HC-10295501	BEARING, THRUST	
X	X	X	X	X	X	X	23		2	HC-10296001	RACE, INNER	
X	X	X	X	X	X	X	24		2	HC-10296201	RING, RETAINING	INCLUDED IN SEAL KIT (HC-10206701)
X	X	X	X	X	X	X	25		1	HC-10298301	O-RING, 1/16 X 1/4 I.D.	INCLUDED IN SEAL KIT (HC-10206701)
X	X	X	X	X	X	X	27		4	HC-10298401	SCREW, ALLEN HEAD CAP	
X	X	X	X	X	X	X	28		4	HC-10298201	SCREW, CAP	
X	X	X	X	X	X	X	33		2	HC-10296801	CAP SCREW, COVER PLATE	
X	X	X	X	X	X	X	NS		1	HC-10296901	O-RING, 1/16 X 19/64 ID	INCLUDED IN SEAL KIT (HC-10206701)
X	X	X	X	X	X	X	35		2	HC-10297001	COVER	
FASTENERS												
X	X	X	X	X	X	X	NS		2	F-STD-12M90U	STUD, METRIC, DE 12 X 1.75 X 90	PUMP DRIVE MOUNTING BOLT
X	X	X	X	X	X	X	NS		2	F-IN-12MZ	NUT, HEX, METRIC, 12 X 1.75	PUMP DRIVE MOUNTING NUT
X	X	X	X	X	X	X	NS		2	F-LW-12MZ	WASHER, LOCK, METRIC, 12	PUMP DRIVE MOUNTING LOCK WASHER

Non-Drive Thru Pump Assembly

Hillco Model 2000H Leveling System

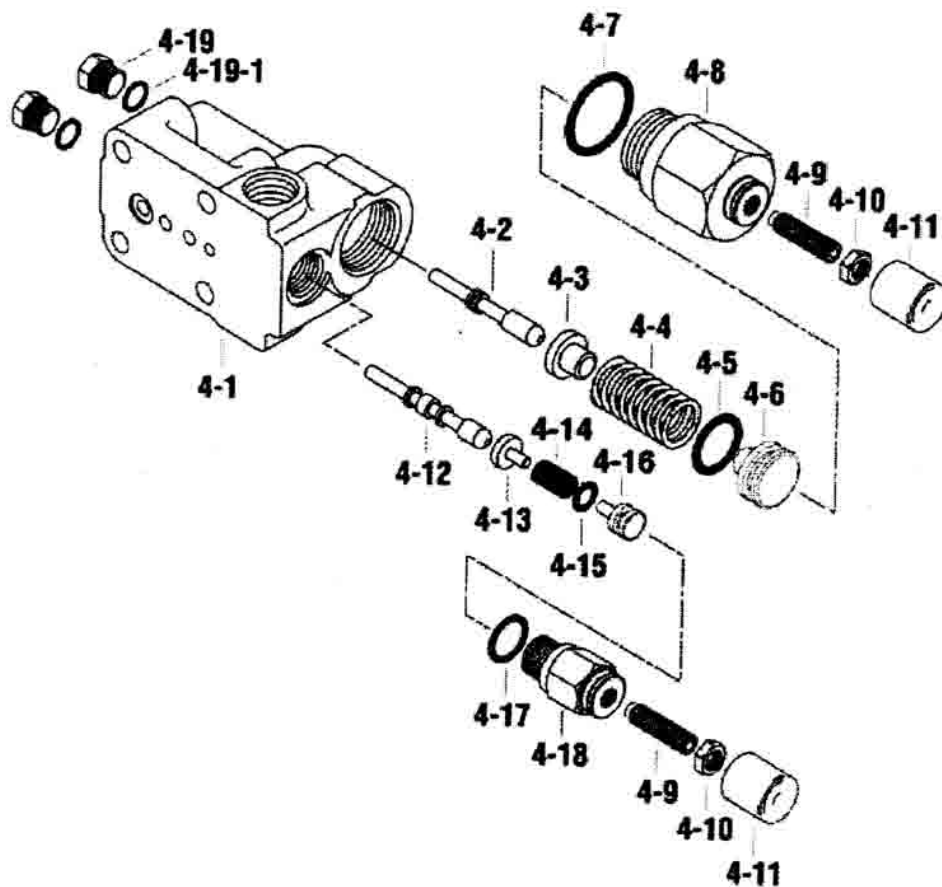
This Pump Is Used On Model 1600, 1688 and Early Model 2188 Combines.
(See 1-1 For Serial Number Break)



1001 - 1014	1015 - 1030	1031 - 1039	1040 - 1042	1043 - 1052	1063 - 1063	1064 - 1081	REF.	MODEL	QTY.	PART NO.	PART NAME	DESCRIPTION
X	X	X	X	X	X	X	19		1	HC-10239901	GASKET, COMPENSATOR	INCLUDED IN SEAL KIT (HC-10206701)
X	X	X	X	X	X	X	20		1	HC-10034101	SEAL, SHAFT	
							20		..	HC-10302301	SEAL, VITON SHAFT	PREMIUM
X	X	X	X	X	X	X	21		2	HC-10295401	WASHER, THRUST	
X	X	X	X	X	X	X	22		1	HC-10295501	BEARING, THRUST	
X	X	X	X	X	X	X	23		2	HC-10296001	RACE, INNER	
X	X	X	X	X	X	X	24		2	HC-10296201	RING, RETAINING	INCLUDED IN SEAL KIT (HC-10206701)
X	X	X	X	X	X	X	25		1	HC-10298301	O-RING, 1/16 X 1/4 I.D.	INCLUDED IN SEAL KIT (HC-10206701)
X	X	X	X	X	X	X	27		4	HC-10298401	SCREW, ALLEN HEAD CAP	
X	X	X	X	X	X	X	28		4	HC-10298201	SCREW, CAP	
X	X	X	X	X	X	X	33		2	HC-10296801	CAP SCREW, COVER PLATE	
X	X	X	X	X	X	X	NS		1	HC-10296901	O-RING, 1/16 X 19/64 ID	INCLUDED IN SEAL KIT (HC-10206701)
X	X	X	X	X	X	X	35		2	HC-10297001	COVER	
FASTENERS												
X	X	X	X	X	X	X	NS		2	F-STD-12M90U	STUD, METRIC, DE 12 X 1.75 X 90	PUMP DRIVE MOUNTING BOLT
X	X	X	X	X	X	X	NS		2	F-IN-12MZ	NUT, HEX, METRIC, 12 X 1.75	PUMP DRIVE MOUNTING NUT
X	X	X	X	X	X	X	NS		2	F-LW-12MZ	WASHER, LOCK, METRIC, 12	PUMP DRIVE MOUNTING LOCK WASHER

Compensator Assembly

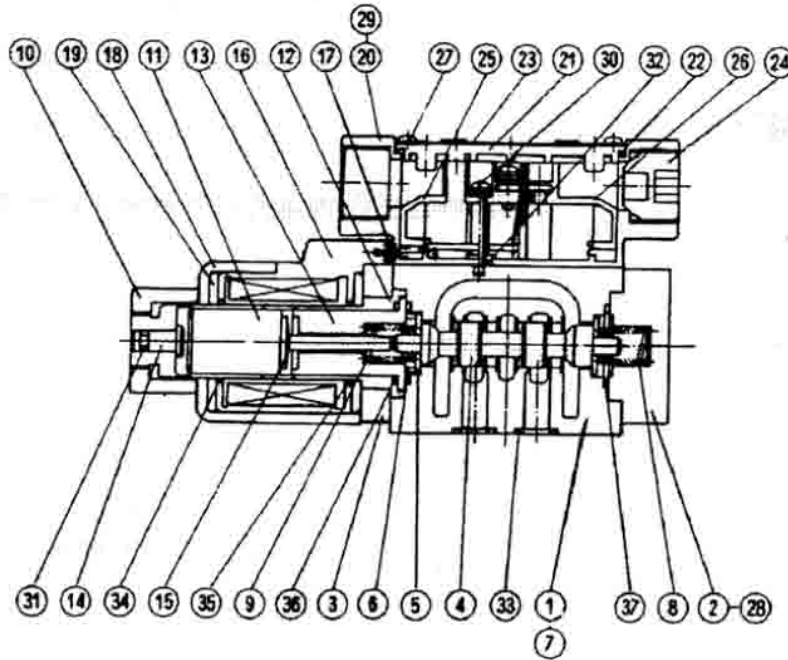
Hillco Model 2000H Leveling System



1001 - 1014	1015 - 1030	1031 - 1039	1040 - 1042	1043 - 1052	1053 - 1063	1064 - 1081	REF	MODEL	QTY	PART NO.	PART NAME	DESCRIPTION
X	X	X	X	X	X	X	NS			HC-10206701	KIT, SEAL, PUMP AND COMPENSATOR	
X	X	X	X	X	X	X			1	HC-10309901	COMPENSATOR ASM, FLOW CONTROL	
X	X	X	X	X	X	X	4-1		1	NSS	HOUSING, COMPENSATOR	
X	X	X	X	X	X	X	4-2		1	NSS	SPOOL, PRESSURE COMPENSATOR	
X	X	X	X	X	X	X	4-3		1	HC-10298801	CAP, SPRING PIVOT	
X	X	X	X	X	X	X	4-4		1	HC-10208101	SPRING, PRESSURE COMPENSATOR	
X	X	X	X	X	X	X	4-5		1	HC-10231801	O-RING, 3/32 X 9/16	INCLUDED IN SEAL KIT (HC-10206701)
X	X	X	X	X	X	X	4-6		1	HC-10298901	FOLLOWER, SPRING, PRESSURE	
X	X	X	X	X	X	X	4-7		1	HC-10231901	O-RING, 3/32 X 7/8 I.D.	INCLUDED IN SEAL KIT (HC-10206701)
X	X	X	X	X	X	X	4-8		1	HC-10299001	CAP, ADJUSTMENT, PRESSURE	
X	X	X	X	X	X	X	4-9		2	HC-10299101	SCREW, SET	
X	X	X	X	X	X	X	4-10		2	HC-10299201	NUT, HEX	
X	X	X	X	X	X	X	4-11		2	HC-10297601	COVER	
X	X	X	X	X	X	X	4-12		1	NSS	SPOOL, FLOW COMPENSATOR	
X	X	X	X	X	X	X	4-13		1	HC-10299301	PIVOT, SPRING	
X	X	X	X	X	X	X	4-14		1	HC-10299401	SPRING, FLOW COMPENSATOR	
X	X	X	X	X	X	X	4-15		1	HC-10208301	O-RING, 1-1/16 X 7/32 I.D.	INCLUDED IN SEAL KIT (HC-10206701)
X	X	X	X	X	X	X	4-16		1	HC-10299501	FOLLOWER, SPRING, FLOW	
X	X	X	X	X	X	X	4-17		1	HC-10232001	O-RING, 5/64 X 15/32 I.D.	INCLUDED IN SEAL KIT (HC-10206701)
X	X	X	X	X	X	X	4-18		1	HC-10299601	CAP, ADJUSTMENT, PRESSURE	
X	X	X	X	X	X	X	4-19		2	HC-10298501	PLUG	
X	X	X	X	X	X	X	4-19-1		2	HC-10232101	O-RING, 1/16 X 19/64 I.D.	INCLUDED IN SEAL KIT (HC-10206701)

Directional Control Valve Detail

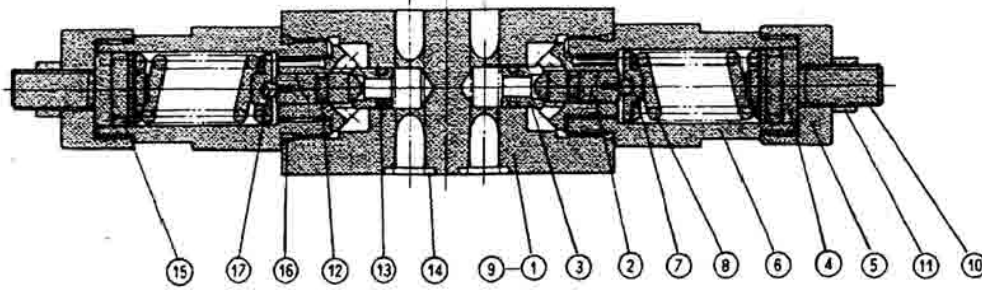
Hillco Model 2000H Leveling System



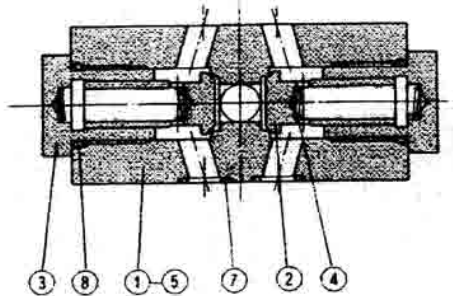
1001 - 1014	1015 - 1030	1031 - 1039	1040 - 1042	1043 - 1052	1053 - 1063	1064 - 1081	REF	MODEL	QTY	PART NO.	PART NAME	DESCRIPTION
X	X	X	X	X	X	X	..		1	HC-10096901	VALVE, DIRECT CNTRL	AB BLOCKED, 30 SERIES
X	X	X	X	X	X	X	1			NSS	BODY	
X	X	X	X	X	X	X	2			NSS	COVER	
X	X	X	X	X	X	X	3			NSS	COVER	
X	X	X	X	X	X	X	4			EC-10205201	SPOOL (COIL)	30 SERIES
X	X	X	X	X	X	X	4			EC-10080801	SPOOL (COIL)	20 SERIES
X	X	X	X	X	X	X	5			NSS	RETAINER	
X	X	X	X	X	X	X	6			NSS	RING B	
X	X	X	X	X	X	X	7			NSS	SPACER	
X	X	X	X	X	X	X	8			NSS	SPRING	
X	X	X	X	X	X	X	9			NSS	SPRING	
X	X	X	X	X	X	X	10			NSS	NUT	
X	X	X	X	X	X	X	11			NSS	PLUNGER	
X	X	X	X	X	X	X	12			NSS	GUIDE	
X	X	X	X	X	X	X	13			NSS	STOPPER	
X	X	X	X	X	X	X	14			NSS	PIN	
X	X	X	X	X	X	X	15			NSS	SPACER	
X	X	X	X	X	X	X	16			NSS	COIL	
X	X	X	X	X	X	X	17			NSS	PACKING	
X	X	X	X	X	X	X	18			NSS	CASE	
X	X	X	X	X	X	X	19			NSS	YOKE	
X	X	X	X	X	X	X	20			NSS	HOUSING	
X	X	X	X	X	X	X	21			NSS	PLATE	
X	X	X	X	X	X	X	22			NSS	PACKING	
X	X	X	X	X	X	X	23			NSS	NAME PLATE	
X	X	X	X	X	X	X	24			NSS	PLUG, DIN	
X	X	X	X	X	X	X	25			NSS	TERMINAL	
X	X	X	X	X	X	X	26			NSS	COVER	
X	X	X	X	X	X	X	27			NSS	TAPPEN SCREW	
X	X	X	X	X	X	X	28			NSS	SCREW	
X	X	X	X	X	X	X	29			NSS	SCREW	
X	X	X	X	X	X	X	30			NSS	SCREW	
X	X	X	X	X	X	X	31		2	HC-10301001	O-RING	INCLUDED IN SEAL KIT (HC-10102001)
X	X	X	X	X	X	X	32		2	HC-10301101	O-RING	INCLUDED IN SEAL KIT (HC-10102001)
X	X	X	X	X	X	X	33		4	HC-10300001	O-RING	INCLUDED IN SEAL KIT (HC-10102001)
X	X	X	X	X	X	X	34		2	HC-10301201	O-RING	INCLUDED IN SEAL KIT (HC-10102001)
X	X	X	X	X	X	X	35		2	HC-10301201	O-RING	INCLUDED IN SEAL KIT (HC-10102001)
X	X	X	X	X	X	X	36		2	HC-10301301	O-RING	INCLUDED IN SEAL KIT (HC-10102001)
X	X	X	X	X	X	X	37		2	HC-10301301	O-RING	INCLUDED IN SEAL KIT (HC-10102001)
X	X	X	X	X	X	X	NS			HC-10102001	SEAL KIT, DIRECT CNTRL	

Header Trim Relief and Anti-Cavity Check Valve Detail

Hillco Model 2000H Leveling System



1001 - 1014	1015 - 1030	1031 - 1039	1040 - 1042	1043 - 1052	1053 - 1063	1064 - 1081	REF.	MODEL	QTY.	PART NO.	DESCRIPTION	WHERE USED
HEADER TRIM RELIEF VALVE												
X	X	X	X	X	X	X	..		1	HC-10102801	VALVE, HEADER TRIM RELIEF	LEFT-RIGHT
X	X	X	X	X	X	X	1			NSS	BODY	
X	X	X	X	X	X	X	2			NSS	POPPET	
X	X	X	X	X	X	X	3			NSS	SEAT	
X	X	X	X	X	X	X	4			NSS	PLUNGER	
X	X	X	X	X	X	X	5			NSS	BUSHING	
X	X	X	X	X	X	X	6			NSS	RETAINER	
X	X	X	X	X	X	X	7			NSS	GUIDE	
X	X	X	X	X	X	X	8			NSS	SPRING	
X	X	X	X	X	X	X	9			NSS	PLATE	
X	X	X	X	X	X	X	10			NSS	SCREW	
X	X	X	X	X	X	X	11			NSS	NUT	
X	X	X	X	X	X	X	12		2	HC-10300801	O-RING	INCLUDED IN SEAL KIT (HC-10301501)
X	X	X	X	X	X	X	13		2	HC-10299901	O-RING	INCLUDED IN SEAL KIT (HC-10301501)
X	X	X	X	X	X	X	14		4	HC-10300001	O-RING	INCLUDED IN SEAL KIT (HC-10301501)
X	X	X	X	X	X	X	15		2	HC-10300601	O-RING	INCLUDED IN SEAL KIT (HC-10301501)
X	X	X	X	X	X	X	16		2	HC-10300901	O-RING	INCLUDED IN SEAL KIT (HC-10301501)
X	X	X	X	X	X	X	17			NSS	BALL	
X	X	X	X	X	X	X	NS		..	HC-10301501	SEAL KIT, HEADER TRIM RELIEF	



1001 - 1014	1015 - 1030	1031 - 1039	1040 - 1042	1043 - 1052	1053 - 1063	1064 - 1081	REF.	MODEL	QTY.	PART NO.	DESCRIPTION	WHERE USED
ANTI-CAVITATION CHECK VALVE												
X	X	X	X	X	X	X	..		1	HC-10050201	CHECK, ANTI-CAVITATION	
X	X	X	X	X	X	X	1			NSS	BODY	
X	X	X	X	X	X	X	2			NSS	POPPET	
X	X	X	X	X	X	X	3			NSS	GUIDE	
X	X	X	X	X	X	X	4			NSS	SPRING	
X	X	X	X	X	X	X	5			NSS	PLATE	
X	X	X	X	X	X	X	6			NSS	PLUG	
X	X	X	X	X	X	X	7		4	HC-10300001	O-RING	INCLUDED IN SEAL KIT (HC-10188001)
X	X	X	X	X	X	X	8		2	HC-10300401	O-RING	INCLUDED IN SEAL KIT (HC-10188001)
X	X	X	X	X	X	X	NS		..	HC-10188001	SEAL KIT, ANTI-CAVITY CHECK	

Hydraulic Hoses and Adapters

Hillco Model 2000H Leveling System

1001 - 1014	1015 - 1030	1031 - 1039	1040 - 1042	1043 - 1052	1053 - 1063	1064 - 1081	REF	MODEL	QTY	PART NO.	DESCRIPTION	WHERE USED
PUMP HOSES												
X	X	X	X	X	X	X			1	L20A-10072401	1/2R2 x 62 in. #8FJ x #8FJ	Pump Case Drain to Reservoir Drain Port
X	X	X	X	X	X	X			1	HHR4-20	1-1/4 100R4 x 56.5 in. NO ENDS	Pump Suction Line
X	X	X	X	X	X	X			1	L20A-10072501	3/4R2 x 83 in. #12 FJ x #10FJ	Pump Pressure Line to Manifold "P" Port
X	X	X	X	X	X	X			1	L20A-10072601	1/4R2 x 80 in. #4FJ x #4FJ	Load Sense Port on Pump to Dual Check on Manifold
RESERVOIR AND MANIFOLD HOSES												
X	X	X	X	X	X	X			1	L20A-10072701	3/4R2 x 80 in. #12 FJ x #12 FJ	Reservoir Drain (route with other drain lines)
X	X	X	X	X	X	X			1	L20A-10072801	1/2R2 x 167 in. #8FJ x #8FJ	Manifold Level "B" to Bottom (#1) on Bulkhead Mount
X	X	X	X	X	X	X			1	L20A-10072801	1/2R2 x 167 in. #8FJ x #8FJ	Manifold Level "A" to (#2) on Bulkhead Mount
X	X	X	X	X	X	X			1	L20A-10073701	1/4R2 x 167 in. #4FJ x #4FJ	Manifold Trim "B" to (#4) on Bulkhead Mount
X	X	X	X	X	X	X			1	L20A-10073701	1/4R2 x 167 in. #4FJ x #4FJ	Manifold Trim "A" to (#3) on Bulkhead Mount
MAIN LEVELING CYLINDER AND PILOT OPERATED CHECK VALVE HOSES												
X	X	X	X	X	X	X			1	L20A-10072901	1/2R2 x 29.75 in. #8FJ x #8FJ	Pilot Op Check Left #2 to (#1) Bottom on Bulkhead Mount
X	X	X	X	X	X	X			1	L20A-10073001	1/2R2 x 69.75 in. #8FJ x #8FJ	Pilot Op Check Right #2 to (#2) on Bulkhead Mount
X	X	X	X	X	X	X			1	L20A-10073101	1/2R2 x 45.5 in. #8FJ x #8FJ	Main Cylinder Rod Left to (#2) on Bulkhead Mount
X	X	X	X	X	X	X			1	L20A-10073201	1/2R2 x 82 in. #8FJ x #8FJ	Main Cylinder Rod Right to (#1) Bottom on Bulkhead Mount
X	X	X	X	X	X	X			1	L20A-10073301	1/4R2 x 20.25 in. #4FJ x #4FJ	Pilot Op Check Right #3 to Right Rod Pilot
X	X	X	X	X	X	X			1	L20A-10073301	1/4R2 x 20.25 in. #4FJ x #4FJ	Pilot Op Check Left #3 to Left Rod Pilot
X	X	X	X	X	X	X			1	L20A-10073401	1/4R2 x 19 in. #4FJ x #4FJ	Pilot Op Check Left #4 to (#5) Top On Bulkhead Mount
					X	X			1	L20A-10134501	1/4R2 x 72.5 in. #4FJ x #4FJ	Pilot Op Check Right #4 to (#5) Top On Bulkhead Mount
X	X	X	X	X					1	L20A-10073501	1/4R2 x 79.5 in. #4FJ x #4FJ	Pilot Op Check Right #4 to (#5) Top On Bulkhead Mount
X	X	X	X	X	X	X			1	L20A-10073601	1/4R2 x 151 in. #4FJ x #4FJ	Reservoir Case Drain/Vent Port to (#5) Bulkhead Mount
TRIM CYLINDER HOSES												
X	X	X	X	X	X	X			1	L20A-10073801	1/4R2 x 27 in. #4FJ x #4FJ	Trim Master Rod to (#3) Bulkhead Mount
X	X	X	X	X	X	X			1	L20A-10073901	1/4R2 x 20 in. #4FJ x #4FJ	Trim Master Butt to (#4) on Bulkhead Mount
X	X	X	X	X	X	X			1	L20A-10074001	1/4R2 x 176 in. #4FJ x #4FJ	Trim Slave Rod to (#3) Bulkhead Mount
X	X	X	X	X	X	X			1	L20A-10074101	1/4R2 x 161 in. #4FJ x #4FJ	Trim Slave Butt to (#4) on Bulkhead Mount
BRAKE, FOOT AND INCH, AND STEERING HOSES												
X	X	X	X	X	X	X		21-2300	1	L20A-10074801	3/8R2 x 29.375 in. #6FF x #6 MJ	Left Side Brake
X	X	X	X	X	X	X		21-2300	1	L20A-10074901	3/8R2 x 27.25 in. #6FF x #6FF	Right Side Brake
X	X	X	X	X	X	X		1600	1	L20A-10126701	1/4R2 x 34 in. #4FJ x #4FJ	Inch Valve
X	X	X	X	X	X	X		1600	2	L20A-10075101	1/4Teflon x 12 in. #4FJ x #4MJ	Brake Line
X	X	X	X	X	X	X		21-2300	1	L20A-10075001	1/4R2 x 33.5 in. #4FF 90 x #4FF	Inch Valve
X	X	X	X	X	X	X		21-2300	1	L20A-10074601	1/2R2 x 36 in. #8FF x #8MJ	Steering
X	X	X	X	X	X	X		21-2300	1	L20A-10074701	3/8R2 x 36.375 in. #6FF x #6MJ	Steering
PUMP ADAPTERS												
X	X	X	X	X	X	X			1	HA-L-6MO8MJ	#6 MORB X #8 MJIC, 90	Pump Case Drain
X	X	X	X	X	X	X		1600	1	HA-S-20MB20MO	#20 MBARB X #20 MORB, STR.	Pump Intake
X	X	X	X	X	X	X		1600	1	HA-S-12MJ16MO	#12 MJIC X #16 MORB, STR.	Pump Outlet
X	X	X	X	X	X	X		2100	1	HA-S-20MB20MO	#20 MBARB X #20 MORB, STR.	Pump Intake
X	X	X	X	X	X	X		2100	1	HA-S-12MJ16MO	#12 MJIC X #16 MORB, STR.	Pump Outlet
X	X	X	X	X	X	X		2300	1	HA-L-20MB20MO	#20 MBARB X #20 MORB, 90	Pump Intake
X	X	X	X	X	X	X		2300	1	HA-L-12MJ16MO	#12 MJIC X #16 MORB, 90	Pump Outlet
X	X	X	X	X	X	X		2300	1	HA-F-12FJ12MJ	#12 FJIC X #12 MJIC, 45	Pump Load Sense
RESERVOIR ADAPTERS												
X	X	X	X	X	X	X			1	HA-S-12MJ12MO	#12 MJIC X #12 MORB, STR.	Reservoir Drain
X	X	X	X	X	X	X			1	HA-P-12MJ	#12 MJIC PLUG	Reservoir Drain
X	X	X	X	X	X	X			1	HA-T-8MJ8MO	#8 MORB STRAIGHT THREAD RUN	Reservoir Case Drain
X	X	X	X	X	X	X			1	HA-J-8MJ8MJ	#8 MJIC BULKHEAD RUN TEE	Reservoir Case Drain
X	X	X	X	X	X	X			1	HA-S-4MJ8FJ	#4 MJIC X #8 FJIC, STR.	Res. Case Drain/ PO Drain
X	X	X	X	X	X	X			1	HA-N-10FJ	#10 FJIC FLARELESS TUBE NUT	Reservoir Filter
X	X	X	X	X	X	X			1	HA-V-10FJ	#10 FJIC FLARELESS TUBE SLEE	Reservoir Filter
X	X	X	X	X	X	X			1	HA-L-10MJ12MO	#10 MJIC X #12 MORB, 90	Reservoir Filter
X									1	HA-L-20MB20MP	#20 MBARB X #20 MPIPE, 90	Reservoir Suction
X	X	X	X	X	X	X			1	HA-S-20MB20MP	#20 MBARB X #20 MPIPE, STR.	Reservoir Suction
MANIFOLD ADAPTERS												
X	X	X	X	X	X	X			1	HA-L-10MJ10MO	#10 MJIC X #10 MORB, 90	Manifold "T" Outlet
X	X	X	X	X	X	X			1	HA-N-10FJ	#10 FJIC FLARELESS TUBE NUT	Manifold "T" Outlet
X	X	X	X	X	X	X			1	HA-V-10FJ	#10 FJIC FLARELESS TUBE SLEE	Manifold "T" Outlet
X	X	X	X	X	X	X			1	HA-S-4FP10MO	#4 FPPIPE X #10 MORB, STR.	Manifold "P" Gauge
X	X	X	X	X	X	X			1	HA-D-10MJ10MO	#10 MJIC X #10 MORB, 90 LONG D	Manifold "P" Inlet
X	X	X	X	X	X	X			1	HA-E-10MO	#10 MORB SOCKET HEAD PLUG	Manifold "T" Blank
X	X	X	X	X	X	X			1	HA-E-8MO	#8 MORB SOCKET HEAD PLUG	Manifold Low Speed Level "A"
X	X	X	X	X	X	X			1	HA-L-8MJ8MO	#8 MJIC X #8 MORB, 90	Manifold Low Speed Level "B"
X	X	X	X	X	X	X			1	HA-L-8MJ8MO	#8 MJIC X #8 MORB, 90	Manifold High Speed Level "A"
X	X	X	X	X	X	X			1	HA-E-8MO	#8 MORB SOCKET HEAD PLUG	Manifold High Speed Level "B"
X	X	X	X	X	X	X			1	HA-L-4MJ8MO	#4 MJIC X #8 MORB, 90	Manifold Blank Trim "A"
X	X	X	X	X	X	X			1	HA-E-8MO	#8 MORB SOCKET HEAD PLUG	Manifold Blank Trim "B"

Hydraulic Hoses and Adapters

Hillco Model 2000H Leveling System

1001 - 1014	1015 - 1030	1031 - 1039	1040 - 1042	1043 - 1052	1053 - 1063	1064 - 1081	REF.	MODEL	QTY.	PART NO.	DESCRIPTION	WHERE USED
TRIM CYLINDER ADAPTERS												
X	X	X	X	X	X	X			1	HA-L-4MJ6MO	#4 MJIC X #6 MORB, 90	Trim Master Butt Port
X	X	X	X	X	X	X			1	HA-L-4MJ6MO	#4 MJIC X #6 MORB, 90	Trim Master Rod Port
X	X	X	X	X	X	X			1	HA-L-4MJ6MO	#4 MJIC X #6 MORB, 90	Trim Slave Butt Port
X	X	X	X	X	X	X			1	HA-L-4MJ6MO	#4 MJIC X #6 MORB, 90	Trim Slave Rod Port
MAIN LEVELING CYLINDER AND PILOT OPERATED CHECK VALVE ADAPTERS												
X	X	X	X	X	X	X			1	HA-L-8MO8MO	#8 MORB X #8 MORB, 90	Left Pilot Op Check Valve #1
X	X	X	X	X	X	X			1	HA-L-8MJ8MO	#8 MORB X #8 MORB, 90	Left Pilot Op Check Valve #2
X	X	X	X	X	X	X			1	HA-L-4MJ8MO	#4 MJIC X #8 MORB, 90	Left Pilot Op Check Valve #3
X	X	X	X	X	X	X			1	HA-L-4MJ6MO	#4 MJIC X #6 MORB, 90	Left Pilot Op Check Valve #4
X	X	X	X	X	X	X			1	MFL20-10068501	#8 MJIC x #8 MORB, 90 TAPPED LEFT	Left Main Cylinder Rod
X	X	X	X	X	X	X			1	HA-L-2MP4MJ	#2 MPIPE X #4 MJIC, 90	Left Main Cylinder Rod
X	X	X	X	X	X	X			1	HA-L-8MO8MO	#8 MORB X #8 MORB, 90	Right Pilot Op Check Valve #1
X	X	X	X	X	X	X			1	HA-L-8MJ8MO	#8 MJIC X #8 MORB, 90	Right Pilot Op Check Valve #2
X	X	X	X	X	X	X			1	HA-L-4MJ8MO	#4 MJIC X #8 MORB, 90	Right Pilot Op Check Valve #3
X	X	X	X	X	X	X			1	HA-L-4MJ6MO	#4 MJIC X #6 MORB, 90	Right Pilot Op Check Valve #4
X	X	X	X	X	X	X			1	MFL20-10068401	#8 MJIC x #8 MORB, 90 TAPPED RIGHT	Right Main Cylinder Rod
X	X	X	X	X	X	X			1	HA-L-2MP4MJ	#2 MPIPE X #4 MJIC, 90	Right Main Cylinder Rod
BULKHEAD ADAPTERS												
X	X	X	X	X	X	X			1	HA-H-8MJ8MJ	#8 MJIC BULKHEAD BRANCH TEE	Bulkhead Mnt. (#1) Bottom
X	X	X	X	X	X	X			1	HA-L-8FJ8MJ	#8 FJIC X #8 MJIC, 90	Bulkhead Mnt. (#1) Bottom (Left)
X	X	X	X	X	X	X			1	HA-H-8MJ8MJ	#8 MJIC BULKHEAD BRANCH TEE	Bulkhead Mnt. (#2)
X	X	X	X	X	X	X			1	HA-L-8FJ8MJ	#8 FJIC X #8 MJIC, 90	Bulkhead Mnt. (#2) (Left)
X	X	X	X	X	X	X			1	HA-J-4MJ4MJ	#4 MJIC BULKHEAD RUN TEE	Bulkhead Mnt. (#5)
X	X	X	X	X	X	X			1	HA-L-4FJ4MJ	#4 FJIC X #4 MJIC, 90	Bulkhead Mnt. (#5)
X	X	X	X	X	X	X			1	HA-J-4MJ4MJ	#4 MJIC BULKHEAD RUN TEE	Bulkhead Mnt. (#4)
X	X	X	X	X	X	X			1	HA-L-4FJ4MJ	#4 FJIC X #4 MJIC, 90	Bulkhead Mnt. (#4)
X	X	X	X	X	X	X			1	HA-J-4MJ4MJ	#4 MJIC BULKHEAD RUN TEE	Bulkhead Mnt. (#3)
X	X	X	X	X	X	X			1	HA-L-4FJ4MJ	#4 FJIC X #4 MJIC, 90	Bulkhead Mnt. (#3)
LOAD SENSE ADAPTERS												
X	X	X	X	X	X	X			1	HA-L-4MJ4MO	#4 MJIC X #4 MORB, 90	Load Sense Level
X	X	X	X	X	X	X			1	HA-N-4FJ	#4 FJIC FLARELESS TUBE NUT	Load Sense Level
X	X	X	X	X	X	X			1	HA-V-4FJ	#4 FJIC FLARELESS TUBE SLEEVE	Load Sense Level
X	X	X	X	X	X	X			1	HA-L-4FJ4MJ	#4 FJIC X #4 MJIC, 90	Load Sense Trim
X	X	X	X	X	X	X			1	HA-R-4MJ4MO	#4 ORB RUN TEE	Load Sense Trim
X	X	X	X	X	X	X			1	HA-N-4FJ	#4 FJIC FLARELESS TUBE NUT	Load Sense Trim
X	X	X	X	X	X	X			1	HA-V-4FJ	#4 FJIC FLARELESS TUBE SLEEVE	Load Sense Trim
BRAKE ADAPTERS												
X	X	X	X	X	X	X			1	HA-L-6FF6MF	#6 FFORSEAL X #6 MFORSEAL, 90	Left Failsafe Brake
X	X	X	X	X	X	X		1600	1	HA-U-4MJ4MJ	#4 MJIC X #4 MJIC, UNION	Left Transmission Brake
X	X	X	X	X	X	X		1600	1	HA-U-4MJ4MJ	#4 MJIC X #4 MJIC, UNION	Right Transmission Brake
X	X	X	X	X	X	X		1600	1	HA-N-4FJ	#4 FJIC FLARELESS TUBE NUT	Left Brake
X	X	X	X	X	X	X		1600	1	HA-V-4FJ	#4 FJIC FLARELESS TUBE SLEEVE	Left Brake
X	X	X	X	X	X	X		1600	1	HA-N-4FJ	#4 FJIC FLARELESS TUBE NUT	Right Brake
X	X	X	X	X	X	X		1600	1	HA-V-4FJ	#4 FJIC FLARELESS TUBE SLEEVE	Right Brake
STEERING LINE ADAPTERS												
X	X	X	X	X	X	X		2100	1	HA-N-6FJ	#6 FJIC FLARELESS TUBE NUT	Small Steering Line
X	X	X	X	X	X	X		2100	1	HA-V-6FJ	#6 FJIC FLARELESS TUBE SLEEVE	Small Steering Line
X	X	X	X	X	X	X		2100	1	HA-N-8FJ	#8 FJIC FLARELESS TUBE NUT	Large Steering Line
X	X	X	X	X	X	X		2100	1	HA-V-8FJ	#8 FJIC FLARELESS TUBE SLEEVE	Large Steering Line
X	X	X	X	X	X	X		2300	1	HA-N-6FJ	#6 FJIC FLARELESS TUBE NUT	Small Steering Line
X	X	X	X	X	X	X		2300	1	HA-V-6FJ	#6 FJIC FLARELESS TUBE SLEEVE	Small Steering Line
X	X	X	X	X	X	X		2300	1	HA-N-8FJ	#8 FJIC FLARELESS TUBE NUT	Large Steering Line
X	X	X	X	X	X	X		2300	1	HA-V-8FJ	#8 FJIC FLARELESS TUBE SLEEVE	Large Steering Line
HYDROSTAT PACKAGE OPTION												
X	X	X	X	X	X	X		1600-21L	1	L20A-10166301	HYDROSTAT PACKAGE	
X	X	X	X	X	X	X		1600-21L	2	HC-10127101	CONNECTOR KITS, CODE 62 SPLIT FLANGE	
X	X	X	X	X	X	X		1600-21L	1	L20A-10126801	HYDRAULIC HOSE, 1" 100R1 CODE 62 X 101 IN.	STR. ENDS
X	X	X	X	X	X	X		1600-21L	1	L20A-10126901	HYDRAULIC HOSE, 1" 100R1 CODE 62 X 156 IN.	STR. AND 22.5 DEGREE
X	X	X	X	X	X	X		1600-21L	1	L20A-10127001	HYDRAULIC HOSE, 1" 100R1AT CODE 62 X 156 IN.	FORS ENDS

Shields, Hose Clamps, and Decals

Hillco Model 2000H Leveling System

1001 - 1014	1015 - 1030	1031 - 1039	1040 - 1042	1043 - 1052	1053 - 1063	1064 - 1081	REF.	MODEL	QTY.	PART NO.	DESCRIPTION	WHERE USED
X	X	X	X	X	X	X	NS		18 in.	MC-10076401	SLEEVE, COIL	
X	X	X	X	X	X	X	NS		2	MC-10076501	SNUBBER, RUBBER	
X	X	X	X	X	X	X	NS		1	MC-10076801	CLAMP, HOSE	1/2 IN.
X	X	X	X	X	X	X	NS		1	MC-10016801	CLAMP, HOSE	1-1/4 IN.
X	X	X	X	X	X	X	NS		3	MC-10134201	CLAMP, HOSE	1-1/2 IN.
X	X	X	X	X	X	X	NS		3	MC-10134301	CLAMP, HOSE	2-7/16 IN.
X	X	X	X	X	X	X	NS		2	HC-10126601	CLAMP, T-BAR HOSE	1-1/4 IN.
X	X	X	X				NS		1	MFL20-10080401	PLATE, RIGHT INSPECTION DOOR BACKING	
				X	X	X	NS		1	MFL20-10125701	PLATE, RIGHT INSPECTION DOOR BACKING	
					X	X	NS		1	L20A-10175301	COVER, ABRASION	ENGINE COMPARTMENT PLATFORM
FASTENERS												
X	X	X	X	X	X	X	NS		1	F-HNF-06C	HN 3/8-16, FLNG., SERR.	TRANSITION RIGHT UP-RIGHT
X	X	X	X	X	X	X	NS		1	F-HC5-06C16	HC5 3/8-16 X 1	TRANSITION RIGHT UP-RIGHT
X	X	X	X	X	X	X	NS		1	F-RHM-05C48	RHMS 5/16-18 X 3	RUBBER SNUBBER MOUNT
X	X	X	X	X	X	X	NS		1	F-HNF-05C	HN 5/16-18, FLNG., SERR.	RUBBER SNUBBER MOUNT
X	X	X	X	X	X	X	NS		1	F-HNN-05C	HN 5/16-18, NYLOCK	RUBBER SNUBBER MOUNT
X	X	X	X	X	X	X	NS		4	F-THM-06C12	THMS 3/8-16 X 3/4, SLT., SERR.	RIGHT INSPECT. DOOR BACKING PLT
X	X	X	X	X	X	X	NS		4	F-HNF-06C	HN 3/8-16, FLNG., SERR.	RIGHT INSPECT. DOOR BACKING PLT
X	X	X	X	X	X	X	NS		6	F-HC5-04C12	HC5 1/4-20 X 3/4	1-1/2 & 2-7/16 HOSE CLAMPS
X	X	X	X	X	X	X	NS		6	F-HNF-04C	HN 1/4-20, FLNG., SERR.	1-1/2 & 2-7/16 HOSE CLAMPS
DECALS AND SAFETY LABELS												
X	X	X	X	X	X	X	NS		1	LL20-10069501	LABEL, CONSOLE SWITCH	
X	X	X	X	X	X	X	NS		2	LL20-10077301	DECAL, HILLCO 2000 LEVELING SYSTEM GRAY	
X	X	X	X	X	X	X	NS		1	LL20-100782	LABEL, CAUTION, READ OPERATOR'S MANUAL	
X	X	X	X	X	X	X	NS		6	LL20-100783	LABEL, DANGER, CRUSHING HAZARD	
X	X	X	X	X	X	X	NS		2	LL20-100784	LABEL, DANGER, PINCH POINT HAZARD	
X	X	X	X	X	X	X	NS		1	LL20-100785	LABEL, CAUTION, MOVING STEP	
X	X	X	X	X	X	X	NS		1	LL20-100786	LABEL, WARNING, CRUSHING HAZARD, ELECTRICAL	
X	X	X	X	X	X	X	NS		2	LL20-100787	LABEL, CAUTION, LEVELING SYSTEM HAZARD	
X	X	X	X	X	X	X	NS		3	LL20-100788	LABEL, DANGER, HYDRAULIC HAZARD	

PART NUMBER INDEX
HILLCO MODEL 2000H LEVELING SYSTEM

Part Number	Page	Part Number	Page
EC-10000401	7-1	F-HN5-06C	2-4, 2-8A, 2-12A, 3-3
EC-10000801	7-3	F-HN5-08C	2-4, 2-8A, 2-12A, 6-1
EC-10000901	7-1	F-HN5-10C	2-4, 2-8A, 2-12A
EC-10001001	7-1	F-HN8-06C	2-4, 2-8A, 2-12A
EC-10001201	7-1, 7-3	F-HN8-10C	2-4, 2-8A, 2-12A, 3-3
EC-10002001	7-3	F-HN8-12C	3-3, 5-1
EC-10002101	7-3	F-HN8-14C	3-3
EC-10016101	7-3	F-HNC-24F	4-1
EC-10016201	7-1, 7-3	F-HNF-#10C	7-2
EC-10016301	7-3	F-HNF-04C	7-2, 9-1
EC-10016401	7-3	F-HNF-04CA	2-4, 2-8A, 2-12A
EC-10016501	7-3	F-HNF-05C	6-1, 8-1, 9-1
EC-10016701	7-3	F-HNF-06C	6-1, 6-2, 7-2, 9-1
EC-10017601	7-1, 8-2, 8-3	F-HNJ-08C	2-4, 2-8A, 2-12A
EC-10018701	7-1	F-HNM-12C	8-4
EC-10054901	7-3	F-HNN-05C	6-1, 9-1
EC-10055001	7-3	F-HNN-06C	2-4, 2-8A, 2-12A
EC-10055101	7-3	F-HNN-08C	6-1
EC-10055201	7-3	F-HNS-10C	3-3
EC-10055301	7-3	F-HNS-12C	4-1
EC-10055401	7-3	F-LW-06	2-4, 2-8A, 2-12A, 3-3
EC-10055501	7-1, 7-3	F-LW-08	2-4, 2-8A, 2-12A, 3-3, 6-1
EC-10055701	7-1	F-LW-10A	2-4, 2-8A, 2-12A, 3-3
EC-10062801	7-3	F-LW-12	5-1
EC-10069201	7-1	F-LW-12A	3-3, 5-1
EC-10069301	7-1	F-LW-12MZ	8-6, 8-8
EC-10077001	7-1	F-LW-16A	3-3
EC-10080801	8-10	F-LWM-12	8-4
EC-10202101	7-1	F-LWM-20A	3-3
EC-10205201	8-10	F-MB-24X36X18	4-1
ET-SL-20	7-3	F-MB-26X15X14	2-4, 2-8A, 2-12A
ET-ST-20#10	7-3	F-PCL-08X32	6-1
ET-ST-20#6	7-3	F-PCL-10X24	2-4, 2-8A, 2-12A
ET-ST-2005	7-3	F-PCT-02X16	2-4, 2-8A, 2-12A
F-CB-08C28	2-4, 2-8A, 2-12AA, 2-12A	F-PCT-10X48	4-1
F-EB-04C20	2-4, 2-8A, 2-12AA, 2-12A 3-3	F-PH-#10	6-1
F-FHS-#10C08	2-4, 2-8A, 2-12AA, 2-12A	F-PHM-#10C08	7-2
F-FHS-10C24	3-3	F-PHM-#10C28	7-2
F-FSM-16C50	3-3	F-PHM-#6C12	7-2
F-FW-05	6-1	F-PHM-06C32	6-1
F-FW-06	3-3	F-PHMS-06C40	6-2
F-FWH-06	2-4, 2-8A, 2-12AA, 2-12A	F-PHMS-06C56	6-2
F-FWH-12	5-1	F-PR-06X40	6-2
F-FWH-14	3-3	F-PR-08X32	6-1

PART NUMBER INDEX

HILLCO MODEL 2000H LEVELING SYSTEM

Part Number	Page	Part Number	Page
F-HC5-04C12	9-1	F-PZS-02	2-4, 2-8A, 2-12A, 3-3
F-HC5-05C20	6-1	F-RHM-05C48	9-1
F-HC5-06C12	2-4, 2-8A, 2-12A, 3-3	F-RHM-06C40	2-4, 2-8A, 2-12A
F-HC5-06C14	2-4, 2-8A, 2-12A	F-SCM-20F70	3-3
F-HC5-06C16	9-1	F-SHC-12C36	3-3
F-HC5-06C20	2-4, 2-8A, 2-12A, 3-3	F-SM-12C90	8-4
F-HC5-06C24	3-3	F-SS-06C08	2-4, 2-8A, 2-12A
F-HC5-08C16	3-3	F-STD-12M90U	8-6, 8-8
F-HC5-08C20	2-4, 2-8A, 2-12A	F-TCH-#10C08	7-2
F-HC5-08C32	2-4, 2-8A, 2-12A	F-THM-04C08	7-2
F-HC5-08C36	6-1	F-THM-04C12	7-2
F-HC5-08C72	6-1	F-THM-05C12	6-1, 8-1
F-HC5-10C20	3-3	F-THM-06C12	9-1
F-HC5-10C56	2-4, 2-8A, 2-12A	F-THM-06C16	6-2, 7-2
F-HC5-10F16	3-3	F-THM-06C24	6-1, 6-2
F-HC5-12C20	5-1	F-UDS-#7X06	3-3
F-HC8-06C40	2-4, 2-8A, 2-12A	HA-D-10MJ10MO	8-12
F-HC8-10C28	3-3	HA-E-10MO	8-12
F-HC8-10C32	2-4, 2-8A, 2-12A	HA-E-4MO	8-2, 8-12
F-HC8-10C36	3-3	HA-E-8MO	8-12
F-HC8-10C44	3-3	HA-F-12FJ12MJ	8-12
F-HC8-12C112	5-1	HA-H-8MJ8MJ	8-13
F-HC8-12C120	5-1	HA-J-4MJ4MJ	8-13
F-HC8-12C136	5-1	HA-J-8MJ8MJ	8-12
F-HC8-12C144	5-1	HA-L-10MJ10MO	8-12
F-HC8-12C160	5-1	HA-L-10MJ12MO	8-12
F-HC8-12C168	5-1	HA-L-12MJ16MO	8-12
F-HC8-12C184	5-1	HA-L-20MB20MO	8-12
F-HC8-12C192	5-1	HA-L-20MB20MP	8-12
F-HC8-12C36	3-3, 4-1	HA-L-2MP4MJ	8-13
F-HC8-12C40	3-3, 4-1	HA-L-4FJ4MJ	8-13
F-HC8-12C56	5-1	HA-L-4MJ4MO	8-13
F-HC8-12C72	4-1, 5-1	HA-L-4MJ6MO	8-13
F-HC8-12C88	5-1	HA-L-4MJ8MO	8-13
F-HC8-12C96	5-1	HA-L-6FF6MF	8-13
F-HC8-14F192	3-3	HA-L-6MO8MJ	8-12
F-HC8-16C40	3-3	HA-L-8FJ8MJ	8-13
F-HCM-20F70	3-3	HA-L-8MJ8MO	8-13
F-HN-10C	3-3	HA-L-8MO8MO	8-13
F-HN-12MZ	8-6, 8-8	HA-N-10FJ	8-12
HA-N-4FJ	8-13	HC-10295301	8-5, 8-7
HA-N-6FJ	8-13	HC-10295401	8-6, 8-8
HA-N-8FJ	8-13	HC-10295501	8-6, 8-8
HA-P-12MJ	8-12	HC-10295601	8-6, 8-8
HA-R-4MJ4MO	8-13	HC-10295701	8-5, 8-7

PART NUMBER INDEX
HILLCO MODEL 2000H LEVELING SYSTEM

Part Number	Page	Part Number	Page
HA-S-12MJ12MO	8-12	HC-10295801	8-5, 8-7
HA-S-12MJ16MO	8-12	HC-10295901	8-5, 8-7
HA-S-20MB20MO	8-12	HC-10296001	8-6, 8-8
HA-S-20MB20MP	8-12	HC-10296101	8-5, 8-7
HA-S-4FP10MO	8-2, 8-12	HC-10296201	8-6, 8-8
HA-S-4MJ8FJ	8-12	HC-10296301	8-5, 8-7
HA-T-8MJ8MO	8-12	HC-10296401	8-5, 8-7
HA-U-4MJ4MJ	8-13	HC-10296501	8-5, 8-7
HA-V-10FJ	8-12	HC-10296601	8-5, 8-7
HA-V-4FJ	8-13	HC-10296701	8-5, 8-7
HA-V-6FJ	8-13	HC-10296801	8-6, 8-8
HA-V-8FJ	8-13	HC-10296901	8-6, 8-8
HC-10033501	8-1	HC-10297001	8-6, 8-8
HC-10033801	8-2, 8-3	HC-10297101	8-5, 8-7
HC-10034101	8-4, 8-6, 8-8	HC-10297201	8-5, 8-7
HC-10034201	8-4, 8-5, 8-7	HC-10297601	8-9
HC-10050201	8-3, 8-11	HC-10297701	8-5, 8-7
HC-10070501	3-2	HC-10297801	8-5, 8-7
HC-10070601	2-1, 2-5A, 2-9A	HC-10297901	8-5, 8-7
HC-10070701	3-2	HC-10298101	8-7
HC-10071201	8-4	HC-10298201	8-6, 8-8
HC-10071301	8-4	HC-10298301	8-6, 8-8
HC-10071401	8-4	HC-10298401	8-6, 8-8
HC-10080701	8-1	HC-10298501	8-9
HC-10080801	8-2, 8-3	HC-10298801	8-9
HC-10080901	8-2	HC-10298901	8-9
HC-10081001	8-2	HC-10299001	8-9
HC-10081101	8-3	HC-10299101	8-9
HC-10081301	8-1	HC-10299201	8-9
HC-10081501	8-1	HC-10299301	8-9
HC-10081601	8-1	HC-10299401	8-9
HC-10081701	8-1	HC-10299501	8-9
HC-10096501	8-2	HC-10299601	8-9
HC-10096901	8-2, 8-3, 8-10	HC-10299901	8-11
HC-10101801	8-2	HC-10300001	8-10, 8-11
HC-10101901	8-2	HC-10300401	8-11
HC-10102001	8-2, 8-3, 8-10	HC-10300601	8-11
HC-10102101	8-2, 8-3	HC-10300801	8-11
HC-10102201	8-2, 8-3	HC-10300901	8-11
HC-10102401	8-2, 8-3	HC-10301001	8-10
HC-10102501	8-3	HC-10301101	8-10
HC-10102801	8-3, 8-11	HC-10301201	8-10
HC-10103401	8-3	HC-10301301	8-10
HC-10103801	8-3	HC-10301501	8-3, 8-11

Part Number	Page	Part Number	Page
HC-10106101	8-4	HC-10302301	8-8
HC-10106201	8-4, 8-5	HC-10302301	8-6
HC-10106301	8-4, 8-7	HC-10308501	8-3
HC-10106401	8-3	HC-10309801	8-5
HC-10125301	8-4	HC-10309901	8-4, 8-5, 8-7, 8-9
HC-10125401	8-4	HC-10310001	8-4
HC-10125901	8-3	HHR4-20	8-12
HC-10126001	8-3	L20A-10042701	3-2
HC-10126101	8-3	L20A-10042801	3-2
HC-10126201	8-3	L20A-10042901	3-1
HC-10126401	8-2, 8-3	L20A-10043001	3-1
HC-10126501	3-2	L20A-10043101	3-1
HC-10126601	9-1	L20A-10043301	3-1
HC-10127101	8-13	L20A-10043401	3-2
HC-10178001	8-1	L20A-10043501	3-1
HC-10178101	8-1	L20A-10043601	3-1
HC-10178201	8-4	L20A-10043701	4-1
HC-10178301	8-4	L20A-10043801	4-1
HC-10188001	8-3, 8-11	L20A-10043901	4-1
HC-10202501	3-2	L20A-10048401	2-1
HC-10205201	8-2, 8-3	L20A-10048501	2-1
HC-10206701	8-4, 8-5, 8-7, 8-9	L20A-10048601	2-1
HC-10206801	3-2	L20A-10048701	2-1
HC-10208101	8-9	L20A-10048901	2-5A, 2-9A, 3-2
HC-10208201	8-2, 8-3	L20A-10048901	2-1
HC-10208301	8-9	L20A-10049501	8-1
HC-10212501	3-2	L20A-10057001	7-3
HC-10231701	8-3	L20A-10057101	7-3
HC-10231801	8-9	L20A-10057201	7-3
HC-10231901	8-9	L20A-10057301	7-3
HC-10232001	8-9	L20A-10057401	7-3
HC-10232101	8-9	L20A-10057501	7-3
HC-10239901	8-4, 8-6, 8-8	L20A-10057601	7-3
HC-10295101	8-5, 8-7	L20A-10057701	7-3
HC-10295201	8-5, 8-7	L20A-10057801	7-3
L20A-10058101	7-3	L20A-10120101	3-1
L20A-10058201	7-3	L20A-10120201	3-1
L20A-10058301	7-3	L20A-10120301	5-1
L20A-10058401	7-3	L20A-10120801	5-1
L20A-10058601	7-3	L20A-10121001	5-1
L20A-10058701	7-3	L20A-10121601	5-1
L20A-10059001	7-3	L20A-10122001	2-1
L20A-10059101	7-3	L20A-10122601	2-1
L20A-10059201	7-3	L20A-10122801	8-1
L20A-10059401	7-3	L20A-10123101	8-1

PART NUMBER INDEX

HILLCO MODEL 2000H LEVELING SYSTEM

Part Number	Page	Part Number	Page
L20A-10059501	7-3	L20A-10132301	3-1
L20A-10059601	7-3	L20A-10134501	8-12
L20A-10059701	7-3	L20A-10134801	6-2
L20A-10059801	7-3	L20A-10135201	6-2
L20A-10059901	7-3	L20A-10149301	6-2
L20A-10060001	7-3	L20A-10149801	6-2
L20A-10060101	7-3	L20A-10166301	8-13
L20A-10060201	7-1	L20A-10175301	9-1
L20A-10060301	7-1	LL20-100695	9-1
L20A-10060401	7-3	LL20-100773	9-1
L20A-10060501	7-3	LL20-100782	9-1
L20A-10060601	7-3	LL20-100783	9-1
L20A-10060701	7-3	LL20-100784	9-1
L20A-10061601	6-1	LL20-100785	9-1
L20A-10061701	6-1	LL20-100786	9-1
L20A-10061801	6-1	LL20-100787	9-1
L20A-10061901	6-1	LL20-100788	9-1
L20A-10062601	5-1	LL20-10079001	3-2
L20A-10064801	8-1	LM-10308101	6-2
L20A-10065101	3-2	LM-10308201	6-2
L20A-10066301	7-1	LM-221591	2-10A, 2-11A
L20A-10066701	5-1	LM-222921	2-10A, 2-11A, 2-13A
L20A-10066801	5-1	LM-234231	2-10A, 2-11A
L20A-10068301	5-1	MC-10005001	7-1
L20A-10068801	6-1	MC-10005101	7-1
L20A-10069901	5-1	MC-10016801	9-1
L20A-10070401	3-2	MC-10023701	2-2, 2-3, 2-6A, 2-7A, 2-10A, 2-11A
L20A-10072401	8-12	MC-10023901	2-2, 2-3, 2-6A, 2-7A, 2-10A, 2-11A
L20A-10072501	8-12	MC-10024001	2-2, 2-3, 2-6A, 2-7A, 2-10A, 2-11A
L20A-10072601	8-12	MC-10038701	3-1
L20A-10072701	8-12	MC-10047901	2-1, 2-5A, 2-9A
L20A-10072801	8-12	MC-10054501	2-2, 2-3
L20A-10072901	8-12	MC-10054601	2-2, 2-3, 2-6A, 2-7A, 2-10A
L20A-10073001	8-12	MC-10054701	2-1, 2-3
L20A-10073101	8-12	MC-10054801	2-10A, 2-11A
L20A-10073201	8-12	MC-10063601	2-13A
L20A-10073301	8-12	MC-10063701	2-13A
L20A-10073401	8-12	MC-10063801	2-13A
L20A-10073501	8-12	MC-10063901	2-13A
L20A-10073601	8-12	MC-10064001	2-13A
L20A-10073701	8-12	MC-10070001	5-1
L20A-10073801	8-12	MC-10070901	6-1
L20A-10073901	8-12	MC-10071001	6-1, 6-2
L20A-10074001	8-12	MC-10075801	4-1

PART NUMBER INDEX

HILLCO MODEL 2000H LEVELING SYSTEM

Part Number	Page	Part Number	Page
L20A-10074101	8-12	MC-10075901	6-1
L20A-10074601	8-12	MC-10076001	2-2, 2-3, 2-6, 2-7
L20A-10074701	8-12	MC-10076101	2-2, 2-3
L20A-10074801	8-12	MC-10076201	2-2, 2-3, 2-6, 2-7
L20A-10074901	8-12	MC-10076401	9-1
L20A-10075001	8-12	MC-10076501	9-1
L20A-10075101	8-12	MC-10076801	9-1
L20A-10078901	6-1	MC-10095801	5-1
L20A-10079801	5-1	MC-10103901	2-9
L20A-10081801	7-3	MC-10114501	2-2, 2-3, 2-13A
L20A-10081901	7-3	MC-10115901	3-1
L20A-10082001	7-3	MC-10132701	2-4, 2-8A, 2-12A
L20A-10082101	7-3	MC-10132901	2-6A, 2-7A, 2-10A
L20A-10082201	7-3	MC-10133001	2-6A, 2-7A
L20A-10082301	7-3	MC-10133101	2-6A, 2-7A
L20A-10082401	7-3	MC-10133301	2-1, 2-3, 2-5A, 2-7A, 2-9A, 2-11A
L20A-10082501	7-3	MC-10133601	2-5A, 2-7A, 2-9A, 2-11A
L20A-10082901	7-3	MC-10133701	2-1, 2-3, 2-5A, 2-7A, 2-9A, 2-11A
L20A-10104501	3-2	MC-10133901	2-5A, 2-6A, 2-7A, 2-9A, 2-10A, 2-11A
L20A-10105401	2-5A, 2-9A, 3-2	MC-10134201	9-1
L20A-10116301	3-1	MC-10134301	9-1
L20A-10116801	3-1	MC-10183801	2-6A, 2-7A, 2-9A, 2-10A, 2-11A
L20A-10116901	3-2	MC-10188101	2-3
L20A-10117101	4-1	MC-10188101	2-1
L20A-10118801	4-1	MC-10188201	2-2, 2-3
L20A-10119001	3-1	MC-10215201	2-10A, 2-11A
L20A-10119401	4-1	MC-10215301	2-10A, 2-11A, 2-13A
L20A-10119501	3-2	MC-1032101	2-13A
L20A-10119601	3-2	MC-1032201	2-13A
L20A-10119701	3-2	MC-1032301	2-13A
L20A-10123501	6-1	MC-1032401	2-13A
L20A-10124201	5-1	MC-1032501	2-13A
L20A-10124701	3-1	MFL20-10039601	3-2
L20A-10125101	5-1	MFL20-10045501	2-1
L20A-10125401	6-2	MFL20-10047801	2-1
L20A-10126701	8-12	MFL20-10048201	2-1
L20A-10126801	8-13	MFL20-10048301	2-1
L20A-10126901	8-13	MFL20-10049601	3-1
L20A-10127001	8-13	MFL20-10049701	2-2, 2-3
L20A-10128801	2-5A, 2-9A	MFL20-10050801	7-1
L20A-10128901	2-5A, 2-9A	MFL20-10050901	3-2
L20A-10129001	2-5A, 2-7A, 2-9A, 2-11A	MFL20-10051001	5-1
L20A-10130901	2-5A, 2-9A	MFL20-10051301	5-1
L20A-10131101	2-1, 2-3	MFL20-10051401	7-1
L20A-10131201	2-1	MFL20-10051501	7-1

Part Number	Page	Part Number	Page
MFL20-10051701	6-1	MFL20-10079401	6-1, 6-2
MFL20-10052101	6-1	MFL20-10080401	9-1
MFL20-10052201	6-1	MFL20-10081301	3-1
MFL20-10052401	6-1	MFL20-10123701	3-1
MFL20-10052501	6-1	MFL20-10123801	7-1
MFL20-10061101	8-1	MFL20-10124901	4-1
MFL20-10061401	8-1	MFL20-10125601	5-1
MFL20-10064301	2-1	MFL20-10125701	9-1
MFL20-10064401	2-1	MFL20-10125801	3-1
MFL20-10064901	3-1	MFL20-10126201	2-5A,2-9A
MFL20-10065001	7-1	MFL20-10126601	2-5A,2-9A
MFL20-10066401	5-1	MFL20-10126701	7-1
MFL20-10067701	5-1	MFL20-10127001	2-1, 2-2, 2-3, 2-5A, 2-6A, 2-7A,2-9A, 2-11A
MFL20-10067801	3-2	MFL20-10127101	2-5A,2-9A
MFL20-10067901	3-1	MFL20-10127201	2-5A,2-9A
MFL20-10068401	8-13	MFL20-10127901	2-6A, 2-7A
MFL20-10068501	8-13	MFL20-10128501	2-1, 2-3
MFL20-10068701	2-2, 2-3	MFL20-10131301	2-2, 2-3
MFL20-10070101	2-2, 2-3, 2-6A, 2-7A, 2-10A,2-11A	MFL20-10132001	2-5A,2-9A
MFL20-10071601	2-1	MFL20-10132401	2-5A, 2-7A
MFL20-10071901	3-2	MFL20-10132501	2-6A, 2-7A, 2-11A
MFL20-10072101	8-2	MFL20-10132901	2-5A,2-7A
MFL20-10072201	8-1	MFL20-10149401	6-2
MFL20-10072301	3-1	MFL20-10149501	6-2
MFL20-10076301	2-3, 7-1	MFL20-10167901	2-5A
MFL20-10076601	2-2	MFL20-10179201	6-2
MFL20-10077501	7-1	MFL20-10179301	2-1, 2-3
MFL20-10077601	2-13A	MFL26-10177401	2-2, 2-3, 2-6A, 2-7A,2-10A, 2-11A
MFL20-10077701	2-2, 2-3, 2-6A, 2-7A, 2-10A,2-11A	MFL26-10198001	2-6A, 2-7A,2-10A, 2-11A
MFL20-10078001	2-1, 2-5A,2-9A	MFLCC-101836	2-5A, 2-9A